

2006 YUKON



GMC

**OUTSTANDING CAPABILITY,
UNMATCHED CHOICE.**

GMC
BUILDING LEGENDS



AT GMC, WE'VE BEEN BUILDING ROBUST, VERSATILE, FULL-SIZE SUVS for about 70 years now, and the strength of that experience is evident in every 2006 Yukon, Yukon XL, Yukon Denali and Yukon XL Denali. These are large, powerful GMC trucks with capabilities far beyond those of most other vehicles. Yet at the same time, they're satisfyingly easy to live with. Their interiors abound with creature comforts and thoughtful conveniences and they handle with an agility and responsiveness you would never have thought possible in a vehicle of this sort. And new for 2006, all 1500 Yukon models include the standard safety of the StabiliTrak vehicle stability enhancement system. Add it up and you have a combination of virtues that many drivers find irresistible. The 2006 Yukons. Drive them yourself and experience the legend.

Yukon SLT, shown in Sport Red Metallic. Yukon Denali, shown in Onyx Black. Yukon XL SLT, shown in Silver Birch Metallic.



For more information about Yukon
visit our Web site at yukon.gmcanada.com

YUKON DENALI



Yukon Denali, shown in Steel Gray Metallic with available 20-in. chromed aluminum wheels.



THE BEST OF EVERYTHING.

WITH ITS UNIQUE BLEND OF PREMIUM STYLE, AMENITIES AND TECHNOLOGY, Yukon Denali is simply the finest full-size luxury SUV GMC has ever made. Visually, the highlights include Denali-exclusive front and rear design treatments, elegant monochrome paint, glittering projector beam headlights and gleaming 17-inch polished aluminum alloy wheels. Yukon Denali is just as outstanding in the engineering department, with the performance of a 335 horsepower Vortec 6000 V8, the confidence of all-wheel drive (AWD) and a computer-controlled AutoRide suspension that automatically adjusts shock absorber damping to match the road conditions – all standard equipment.

YUKON XL DENALI





LUXURY IN EXTRA-LARGE.

YUKON XL DENALI STARTS WITH ALL THE STYLE, POWER, TECHNOLOGY AND UNABASHED LUXURY that makes Yukon Denali such a standout among SUVs. Then it goes even further, with a longer wheelbase and more than half a metre (20 in.) more overall length. The benefits include a serious upgrade in cargo space and substantially more third-row legroom – important advantages if your future includes long journeys with family and friends. In fact, Yukon XL Denali is one of the largest, most spacious luxury SUVs there is.

YUKON DENALI INTERIOR



Yukon XL Denali interior, shown in Sandstone with available second-row bucket seats.



THE MOST LUXURIOUS SUV INTERIOR IN GMC HISTORY.

TO SAY THE DENALI CABIN IS FIRST-CLASS IS TO RISK SERIOUS UNDERSTATEMENT. The seating surfaces are leather,* providing a comforting environment. The supportive front bucket seats are power adjustable no fewer than eight ways and feature standard side-impact air bags for a higher level of protection in certain collisions. The front buckets also feature power lumbar adjusters and side bolsters and are heated for added comfort on cold days, as are the outboard second-row seats. For your entertainment, the standard stereo includes an in-dash six-disc CD changer, a stunning Bose Premium sound system and separate audio system controls for your second-row passengers.

*Third row is vinyl.

YUKON DENALI CONTROLS



Yukon Denali instrument panel, shown with available equipment.



INSIDE DENALI, TOTAL CONTROL IS ALWAYS IN STYLE.

THE YUKON DENALI DRIVING ENVIRONMENT EXCELS aesthetically, with clean, strong lines, a colour-keyed, leather-wrapped steering wheel and unique trim on the dash. Even more importantly, this handsome interior is designed and equipped to help you stay comfortably in control. To keep you fully informed, there's a comprehensive array of analogue gauges supplemented by an electronic Driver Information Centre. Well-located controls – including standard power adjustable pedals – help you make necessary adjustments almost effortlessly. Yukon Denali also offers an available DVD navigation system that can help you find your way when you're on unfamiliar ground.*

*At time of print, detailed map coverage is available for most major urban areas of the United States and for certain metropolitan areas of Canada (Vancouver, Calgary, Edmonton, Winnipeg, Windsor, London, Toronto, Ottawa, Montreal, Quebec City and Halifax). Coverage is significantly limited outside these areas. Choose the factory navigation option and you will receive an updated navigation DVD each of the first two years following your purchase.

1. YUKON DENALI'S AVAILABLE REAR-SEAT DVD ENTERTAINMENT SYSTEM includes a 178 mm (7 in.) LCD screen, 2 wireless infrared headphones and jacks to plug in video games.

2. POWER ADJUSTABLE PEDALS help drivers of all sizes find a comfortable position at the proper distance from the steering wheel. They're standard on Denali and SLT models and available on SLE models.



YUKON





FORGET THE WORD “CAN’T.”

ABILITY OF ALL SORTS IS WHAT YUKON IS ALL ABOUT.

With its Vortec V8 power, substantial ground clearance, beefy tires and choice of two-wheel drive and 4x4 drivetrains, Yukon handles all kinds of driving conditions with ease. When it's needed, Yukon can swallow up to 2962 L (104.6 cu. ft.) of cargo or tow a trailer weighing up to 3810 kg (8400 lb.). There's also an available Z71 off-road package featuring 46 mm gas shocks, jounce bumpers, aluminum wheels, P265/70R17 On/Off-Road tires and more, for optimal performance when the going gets seriously rough.

YUKON XL

MEET THE BIG BROTHER.

AS IMPRESSIVE AS YUKON'S CAPABILITIES undoubtedly are, Yukon XL does even more. Nine-passenger seating is standard, and even with a full load of people on board, Yukon XL can still handle 1294 L (45.7 cu. ft.) of gear. For the biggest loads, the second-row seats fold down and the third-row seats can be removed to create a vast 3727 L (131.6 cu. ft.) cargo hold. And should you need still more capability, a properly equipped Yukon XL 2500 is rated to tow a tremendous 5443 kg (12,000 lb.). No SUV tows more.





YUKON INTERIOR



Yukon XL SLT interior, shown with Pewter leather seating surfaces (third-row is vinyl).



EXEMPLARY ROOM, COMFORT AND VERSATILITY.

WITH THEIR GENEROUS INTERIOR PROPORTIONS

and seating for up to nine people, Yukon and Yukon XL can handle big families in style. Every passenger rides in comfort, thanks to a standard tri-zone climate control system, and to help keep you entertained on your travels, every Yukon audio system features a CD player with impressive sound reproduction. The Yukon and Yukon XL interiors reconfigure quickly and easily when the focus shifts to carrying cargo. Third-row seats flip and fold forward for additional room and can be easily removed to maximize cargo capacity. A 60/40 split-folding second-row bench seat is standard on both models. Second-row buckets are also available.

YUKON CONTROL



Yukon SLT instrument panel, shown with available equipment.



ERGONOMIC DESIGN KEEPS YOU COMFORTABLY IN COMMAND.

WHEN IT CAME TO DESIGNING THE YUKON AND YUKON XL driving environment, nothing was left to chance. Every element was carefully thought out and meticulously positioned. As a result, these large, powerful vehicles are astonishingly easy and enjoyable to drive. Cleanly styled analogue gauges and a standard Driver Information Centre provide a wide range of information at a glance, and Yukon's logical controls – including standard audio system and Driver Information Centre switches mounted on the steering wheel – allow nearly effortless adjustments.

THE DRIVER INFORMATION CENTRE monitors numerous vehicle functions. It can even alert you when there's a possibility of ice forming on the road.



YUKON POWER & TOWING



BORN TO TOW.

WHATEVER YOU NEED TO TOW, there's a Yukon that's right for the job. In fact, Yukon XL 2500 has the highest towing capacity of any SUV in its class.* Yukon and Yukon XL also offer a heavy-duty, factory-installed Trailer Special Equipment Package that includes a weight-

distributing trailer hitch receiver, a seven-pin connector, a heavy-duty transmission oil cooler and a trailer control brake wiring harness. It's available on SLT and SLE models and standard on Yukon Denali and Yukon XL Denali.

*When properly equipped. Based on 2005 Model Year data for GM Large Utility segment and the latest published competitive information available at time of printing. Excludes other GM vehicles.

VORTEC: TODAY'S FIRST NAME IN TRUCK POWER.

THE VORTEC NAME HAS BECOME A LEGEND in its own right among truck owners, and the 2006 Yukons offer a whole range of reasons why. Yukon's engine lineup starts with the efficient and muscular Vortec 4800 V8 and extends all the way up to the big block Vortec 8100 V8 – the largest-displacement V8 engine in any SUV in this class.* Every Yukon engine is matched with a robust, electronically controlled four-speed automatic transmission equipped with Tow/Haul mode.

*Based on 2005 Model Year data for GM Large Utility segment and the latest published competitive information available at time of printing. Excludes other GM vehicles.

ELECTRONIC THROTTLE CONTROL

Rather than a mechanical throttle cable, Yukon's accelerator pedal is linked to the engine via a sophisticated drive-by-wire connection. ETC contributes to maximum fuel efficiency, high output and low emissions.

LONG-LIFE COMPONENTS

Long-life spark plugs and DEX-COOL engine coolant are two of the long-life items used in every Vortec engine. In normal driving, the first tune-up isn't required until the odometer reaches 166,000 km.**

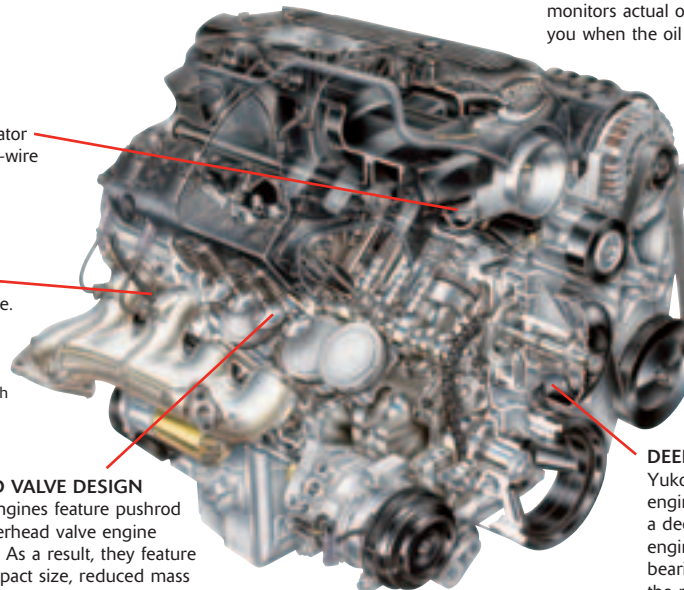
**When properly maintained in accordance with the Owner's Manual and Maintenance Schedules. Maintenance needs vary with different uses and driving conditions. Please refer to the Owner's Manual for more information.

OVERHEAD VALVE DESIGN

All Vortec engines feature pushrod actuated overhead valve engine architecture. As a result, they feature a more compact size, reduced mass and lower internal friction.

GM OIL LIFE SYSTEM

The standard GM Oil Life System monitors actual oil life and alerts you when the oil needs changing.



DEEP-SKIRT ENGINE BLOCK

Yukon's Vortec small block V8 engines feature cast iron blocks with a deep-skirt design. These rigid engine blocks, with 6-bolt main bearing caps, significantly reduce the noise, vibration and harshness that would otherwise be transmitted to the passenger compartment.



A TOUCH OF THE BUTTON on the transmission shift lever activates Tow/Haul mode, which electronically alters the transmission's shift patterns for increased performance when your Yukon is carrying a heavy load or towing a trailer.

YUKON ENGINE/TRANSMISSION* AVAILABILITY

VORTEC ENGINES	Vortec 4800 V8	Vortec 5300 V8	Vortec 6000 V8	Vortec 8100 V8
HP @ rpm	285 @ 5200	295 @ 5200	335 @ 5200	325 @ 4200
Torque (lb.-ft.) @ rpm	295 @ 4000	335 @ 4000	375 @ 4000	447 @ 3200
1500 Yukon				
2WD	S	O		
4x4		S		
AWD Denali			S	
1500 Yukon XL				
2WD		S		
4x4		S		
AWD XL Denali			S	
2500 Yukon XL				
2WD			S	O
4x4			S	O

S – Standard. O – Optional.

*All Yukons, Yukon XLs and Denalis are equipped with a 4-speed automatic transmission with overdrive and Tow/Haul mode. The 2500 Yukon XL models feature a heavy-duty 4-speed automatic transmission with overdrive and Tow/Haul mode.

YUKON TECHNOLOGY



Yukon XL Denali, shown in Onyx Black.



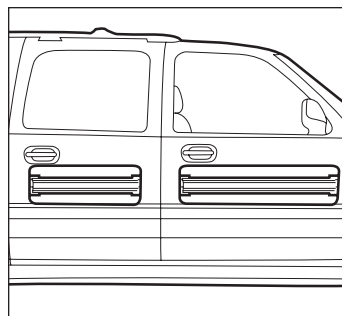
ADVANCED TECHNOLOGY MAKES A BETTER SUV.

THE ENGINEERS AT GMC are unwaveringly focused on advances in technology, not for their own sake, but because they can deliver real, meaningful improvements in the vehicles we build. Consider just two examples. The first is our electronic tire pressure monitoring system. Any time it detects that a tire has lost a significant amount of pressure – a condition that reduces traction and control and greatly increases tire wear – it alerts you via the Driver Information Centre. The second example is StabiliTrak, which monitors for lateral skids and steps in immediately to help bring your Yukon back under control. Both of these advanced electronic systems are standard on every 2006 Yukon 1500 model, – and there are many more like them.

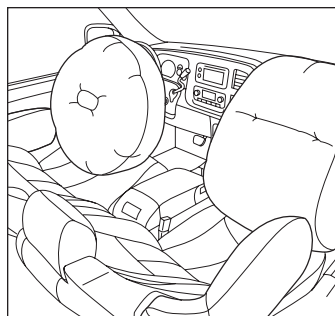
YUKON SAFETY & SECURITY

EXPERIENCE A RARE SENSE OF SAFETY.

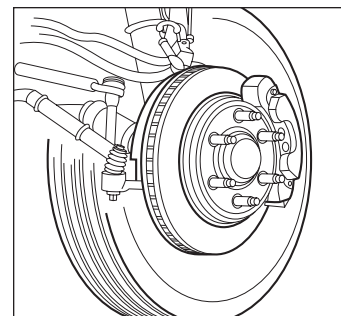
INSIDE YUKON, YOU'LL ENJOY a feeling of safety you may never have known in a vehicle before. Visibility is excellent in every direction and Yukon's responsive handling and braking systems help you avoid dangers and contribute to a sense of confident control. It's also comforting to know that, should the worst happen, your Yukon will protect you and your passengers with front and rear crush zones, a sturdy steel safety cage, up to four air bags and a host of other important safety features.



EVERY YUKON AND YUKON XL side door contains a sturdy steel beam that helps keep objects from entering the passenger compartment in a side impact.



THE STANDARD DUAL-STAGE FRONTAL AIR BAGS include a Passenger Sensing System that automatically disables the air bag if the passenger seat is empty or if it contains a child seat or a small occupant.





Every GMC Yukon is designed and engineered to be the market leader in capability and technology. So it should come as no surprise that Yukon also offers the unparalleled combination of safety, security and convenience of OnStar.* OnStar uses advanced communications technology to enhance your peace of mind whenever you're in your Yukon. All it takes is a single push of the blue OnStar button usually located on the interior rear-view mirror, in the overhead console, or near the radio display – the button connects you with one of our specially trained OnStar Advisors. They are standing by, ready to provide support 24 hours a day, 365 days a year.

What can OnStar Advisors do for you? They can provide a wealth of information and perform a variety of services, including a remote diagnostic check of your vehicle's engine and electrical components. In an emergency, an Advisor will attempt to locate your vehicle, find out what assistance you need, and notify nearby emergency service providers. And if air bags are deployed in your vehicle, an Advisor will contact you to determine if you are in need of assistance.

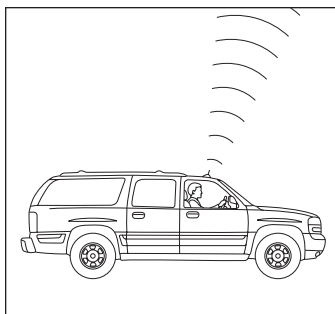
Another convenient feature is OnStar Hands-Free Calling, a hands-free, voice-activated wireless technology integrated into your vehicle. It's there in case your hand-held phone is lost, forgotten or has a low battery. Even better, there are no additional monthly fees, or additional long distance and roaming charges. And as a new customer, you will receive 30 complimentary minutes good for two months after activation.

Now you can enjoy the peace of mind that comes with knowing you're doing all you can to help keep you, your family, and your vehicle safe. Just ask the almost 150,000 people who have become OnStar subscribers in Canada. How hard does OnStar work for you? The facts speak for themselves: every month in Canada OnStar Advisors handle an average of 9100 routing calls, 2500 emergency calls, 2600 door unlocks, and 625 Roadside Assistance dispatches.

OnStar offers two different service plans, allowing you to select the services that are most convenient for you. The Safe & Sound Plan is standard for the first year on all Yukon models. The available Directions & Connections Plan offers all of the safety and security services included in the Safe & Sound Plan, plus you'll have access to driving directions and information and convenience services and RideAssist. See your dealer for more information on plans and services.

*OnStar services require vehicle electrical system (including battery), wireless service, and GPS satellite signals to be available and operating for features to function properly. Not all OnStar features are available on all vehicles. OnStar Hands-Free Calling requires a Hands-Free Calling enabled vehicle, existing OnStar service contract, and prepaid calling minutes, and is not available in Alaska and some other markets. Calls may be made to the U.S. and Canada only. OnStar voice recognition system may not work with some voices. OnStar acts as a link to existing emergency service providers. Subscription Service Agreement required. Due to the transition of the wireless industry from analogue to digital technology, as of January 1, 2008, OnStar plans to offer service only through equipment that operates on the digital network, which may require the purchase of a system upgrade for eligible vehicles. Call 1.888.4.ONSTAR (1.888.466.7827), TTY 1.877.248.2080 or visit onstar.ca for OnStar's Terms & Conditions, Privacy Policy, and system limitations and details.

YUKON'S STOPPING ABILITIES are enhanced by 4-wheel vented disc brakes equipped with a dynamic rear proportioning (DRP) system and standard 4-wheel anti-lock braking system (ABS).



THANKS TO ADVANCED GPS TECHNOLOGY, OnStar Advisors always know exactly where you are, even when you don't.*

YUKON ACCESSORIES



TAKE YOUR YUKON TO THE NEXT LEVEL.

HOW DO YOU MAKE A GREAT TRUCK EVEN GREATER? By upgrading its appearance and function with a few carefully selected GM Accessories. GM Accessories are the only accessories that are integrated into the process of designing your vehicle, ensuring excellent fit, finish and functionality. And only GM Accessories are backed by GM's 3-year/60,000 km New Vehicle Limited Warranty.* They can also be included in your new-vehicle lease or finance agreement through GMAC. Ask your dealer for a complete list of the GM Accessories available for Yukon. Or visit gmcanada.com

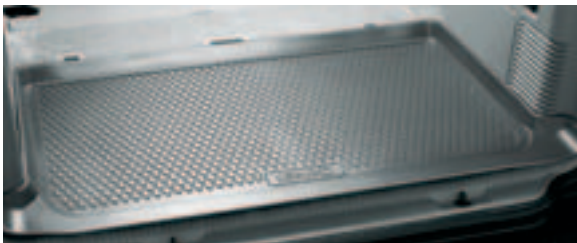


Accessories

*Whichever comes first, when permanently installed at the time you purchase or lease your new vehicle.

GM Accessories for Yukon/Yukon XL include:

- **20-in. aluminum wheels**
- **Interior trim kit**
- **Hitch-mounted carrier system**
- **Ventvisors**
- **Roof-mounted carrier**
- **Cargo organizer**
- **Running boards**
- **Custom carpet**
- **Cargo area security shade**
- **Trailer Hitch Package.**



YUKON STANDARD & OPTIONAL FEATURES

MODEL SELECTOR

MODEL	Wheelbase mm (in.)	Drive	Cargo Volume L (cu. ft.) ¹	Std. GVWR kg (lb.) ²	Max. Payload kg (lb.) ⁴	Max. Gross Trailer Weight kg (lb.) ⁵
1500 Yukon	2946 (116.0)	2WD	2962 (104.6)	2948 (6500) ³	690 (1522)	3493 (7700)
	2946 (116.0)	4x4	2962 (104.6)	3084 (6800) ³	721 (1590)	3493 (7700)
1500 Yukon Denali	2946 (116.0)	AWD	2962 (104.6)	3175 (7000)	663 (1462)	3674 (8100)
1500 Yukon XL	3302 (130.0)	2WD	3727 (131.6)	3175 (7000)	785 (1731)	3856 (8500)
	3302 (130.0)	4x4	3727 (131.6)	3266 (7200)	769 (1695)	3720 (8200)
1500 Yukon XL Denali	3302 (130.0)	AWD	3727 (131.6)	3266 (7200)	656 (1446)	3583 (7900)
2500 Yukon XL	3302 (130.0)	2WD	3727 (131.6)	3900 (8600)	1283 (2828)	5443 (12,000)
	3302 (130.0)	4x4	3727 (131.6)	3900 (8600)	1146 (2526)	5443 (12,000)

¹Maximum with rear seat(s) folded down or removed.

²Gross Vehicle Weight Rating (GVWR) includes vehicle, passengers, equipment and cargo.

³When the third-row seat is specified, the GVWR is increased to 3084 kg (6800 lb.) for 2WD models, 3130 kg (6900 lb.) for 4x4s and the max. trailer weight is increased to 3810 kg (8400 lb.) on 4x4 models.

⁴Payloads are approximate and will change with the addition of optional or aftermarket equipment. Consult your dealer or equipment supplier for details.

⁵Trailer Weight (also called Trailer Towing Capacity) is the weight of a trailer, its load or contents plus any other weight added to the tow vehicle. Many trailer towing applications require optional equipment. Refer to the "Trailer with GMC Trucks" brochure for details.

SAFETY AND SECURITY

	SLE	SLT
Air bags – dual-stage, driver and front passenger-side, frontal. Includes Passenger Sensing System with automatic air bag suppression	S	S
Air bags – driver and front-passenger, seat-mounted side-impact	O	O
Brake/transmission shift interlock	S	S
Door locks – power, programmable with lock-out protection	S	S
Door locks – rear side door, child-security	S	S
Headlights – with automatic light control	S	S
Keyless entry system – remote, includes 2 transmitters, panic button and content theft alarm	S	S
OnStar In-Vehicle Communications and Assistance Service – includes one-year Safe & Sound Plan	S	S
Safety restraints – LATCH (Lower Anchors and top Tethers for Children)	S	S
Theft-deterrent system – PASSLock	S	S
Tire pressure monitor – (does not apply to spare tire)	S	S
Traction assist – electronic ¹	S	S

¹Standard on Yukon and 1500 Yukon XL models. Available on 2WD 2500 Yukon XL with Vortec 6000 V8.

MECHANICAL

	SLE	SLT
Brakes – Hydro-Boost power-assisted, 4-wheel disc with anti-lock braking system (ABS) and dynamic rear proportioning (DRP)	S	S
Engines – refer to page 21 for detailed availability	S	S
Exhaust system – aluminized stainless steel	S	S
Locking differential – rear (except Denali models)	S	S
Snowplow Prep Package – (Yukon XL 2500 4x4)	O	O
StabiliTrak – vehicle stability enhancement system, including traction assist (except Yukon XL 2500 models)	S	S
Suspension – premium ride, includes rear auto-levelling shock absorbers (Yukon 2WD and 4x4/Yukon XL 1500 2WD)	S	S
Suspension – premium ride, includes rear progressive rate coil springs (Yukon XL 1500 4x4)	S	S
Suspension – firm ride (Yukon XL 2500)	S	S
Suspension – AutoRide Control with real-time damping and on 1500 models, air-assisted, auto-levelling rear suspension (standard on Denali models)	O	O
Trailer Special Equipment Package – heavy-duty, includes weight-distributing platform with hitch receiver, 7-pin sealed wiring connector, trailer brake control wiring harness, heavy-duty transmission oil cooler, high-capacity air cleaner	O	O
Transfer case – Autotrac with electronic push-button controls on 4x4 models (except Denali models)	S	S
Transmission – 4-speed automatic with overdrive and Tow/Haul mode	S	S

EXTERIOR

	SLE	SLT
Assist steps – moulded, black	S	S
Doors – rear, liftgate with integral liftglass and rear-window wiper/washer and defogger	S	S
Fender flares – black, wheel opening (Yukon XL 2500)	S	S
Fog lights	S	S
Glass – Solar-Ray, tinted, deep-tinted on all windows behind front doors	S	S
Mirrors – manual foldaway, power remote control, heated, black	S	–
Mirrors – power foldaway, power remote control, reverse-tilt, heated, side-entry illumination with integral turn signals and driver's side auto-dimming feature, body-coloured	O	S
Mirrors – deluxe wide load with LH and RH adjustable vertical flat glass with lower convex spotter glass, manual extendable and folding, heated and integrated turn signals	O	O
Mouldings – bodyside, body-coloured with bright chrome insert	S	S
Off-Road Package (Z71) – includes 17" X 7.5" 6-spoke aluminum wheels, P265/70R17 On-Off Road blackwall tires, 46 mm gas pressurized shock absorbers, Off-Road jounce bumpers, skid plates, high-capacity air cleaner and Z71 decals (Yukon 4x4 only)	–	O
Roof rack – side rails only	S	S
Roof rack – cross bars (included with Cargo Package)	O	S
Skid plates – protects front underbody, oil pan, differential case and transfer case (4x4 models only, included on Z71)	O	O
Sunroof – power, sliding glass panel with express-open feature	O	O
Tow hooks – two front (std. Yukon XL 2500, all 1500 4x4 and Denali models)	O	O
Tires – P265/70R16 all-season (1500 models)	S	–
Tires – P265/70R17 all-season (1500 models)	–	S
Tires – LT245/75R16E all-season (Yukon XL 2500)	S	S
Wheels – 16" aluminum with steel spare, underbody (1500 models)	S	–
Wheels – 17" 6-spoke aluminum with 16" steel spare, underbody (1500 models)	–	S
Wheels – 16" polished aluminum with steel spare, underbody (2500 models)	S	S
Windshield wipers – 2-speed with variable delay (intermittent)	S	S

INTERIOR

	SLE	SLT
Air conditioning – tri-zone, manual climate control, front and rear	S	–
Air conditioning – tri-zone, automatic climate control, front and rear (std. on Denali)	O	S
Cargo Package – includes cargo mat, cargo net, and roof rack cross bars (excludes mat and shade with 3rd-row seating on Yukon)	O	S
Console – floor, includes storage, coin holders, cupholders, rear-seat audio controls (included with front bucket seats)	O	S
Console – mini overhead, includes map lights, rear-seat air conditioning controls	S	S
Cruise control – electronic with resume, coast and decelerate/accelerate features	S	S
Defogger – electric rear-window	S	S

INTERIOR (continued)	SLE	SLT
Floor covering – colour-keyed carpeting with floor mats	S	S
Heater – rear auxiliary	S	S
Instrumentation – full analogue gauge cluster (includes speedometer, tachometer, voltmeter, coolant temperature, oil pressure, fuel, odometer, trip odometer and engine hour meter)	S	S
Instrumentation – Driver Information Centre includes multi-language and trip functions, displays numerous vehicle functions with both visual and audible reminders/warnings	S	S
Lights – overhead, reading and courtesy	S	S
Mirror – rear-view, includes compass, exterior temperature and front-passenger air bag status displays	S	S
Pedals – power adjustable brake and accelerator	O	S
Personalization feature – programs many comfort and convenience features	S	S
Power outlets – auxiliary 12-volt	S	S
Retained accessory power	S	S
Smoker's Package – includes lighter and ashtray (standard with bench front seat)	S	O
Steering column – tilt adjustable	S	S
Steering wheel – leather-wrapped	S	S
Steering wheel – controls for sound system and Driver Information Centre	S	S
Sunshades – LH and RH, colour-keyed with illuminated visor mirrors	S	S
Universal home remote – 3-channel transmitter	O	S
Windows – power, driver's express-down and passenger window lock-out features	S	S

SEATS

Custom cloth 40/20/40 split-bench reclining front seat with power 6-way driver seat adjuster and folding centre armrest with storage	S	–
Custom cloth reclining front bucket seats with inboard armrests, power 6-way driver seat adjuster, rear seatback storage pockets, floor console, Bose Premium speaker system with AudioPilot noise compensation technology and second-row audio controls	O	–
Full-feature reclining front bucket seats with leather seating surfaces, heated with separate controls for cushion and seatback, inboard armrests, power 8-way driver and front-passenger seat adjusters, power lumbar adjusters, driver's 2-position memory controls and centre floor console	–	S
Second-row 3-passenger 60/40 split-folding bench with centre armrest	S	S
Second-row reclining bucket seats with inboard armrests	–	O
Third-row 3-passenger 50/50 flip-and-fold seat² (Yukon)	O	O
Third-row 3-passenger full-folding bench seat² (Yukon XL)	S	S

²3rd-row is vinyl when leather seating surfaces are specified.

ENTERTAINMENT SYSTEMS

All Yukon/Yukon XL sound systems include an electronically tuned AM/FM stereo with seek/scan, Radio Data System (RDS), auto tone control and digital clock		
CD player	S	–
6-disc in-dash CD changer (requires front bucket seats)	O	S
Bose Premium speaker system with AudioPilot noise compensation technology	O	S
Second-row audio controls and earphone jacks	O	S
DVD Entertainment System – 2nd-row seat, includes overhead fold-down 178 mm (7 in.) LCD colour monitor, DVD player, video camera and video game input (RCA) jacks, 2 wireless headphones and remote control	–	O
Integrated DVD Navigation System – includes AM/FM stereo with CD player, Bose Premium 9-speaker sound system (including subwoofer) with AudioPilot noise compensation technology, full-feature autonomous navigation with touch-screen and points-of-interest ³	–	O

³At time of print, detailed map coverage is available for most major urban areas of the United States and for certain metropolitan areas of Canada (Vancouver, Calgary, Edmonton, Winnipeg, Windsor, London, Toronto, Ottawa, Montreal, Quebec City and Halifax). Coverage is significantly limited outside these areas. Choose the factory navigation option and you will receive an updated navigation DVD each of the first two years following your purchase.

S – Standard. O – Optional individually or in combination with other optional equipment. Note: The trim features indicated reflect only a portion of the total content of each trim level. See your Sales Consultant for complete listings, current availability and compatibility.

DENALI FEATURES

The Yukon Denali and Yukon XL Denali combine immense capability with extraordinary refinement to create a new standard for full-size SUVs. Listed below are some of the Yukon Denali and Yukon XL Denali features.

INTERIOR FEATURES

- Black Cherry simulated wood grain on centre console, instrument panel and front-door trim
- Driver and front-passenger seat-mounted side-impact air bags
- Heated full-feature front bucket seats with 8-way power seat adjusters, power lumbar and side bolster adjusters and driver 2-position memory controls
- Personalization feature
- Power adjustable pedals
- 2nd-row 60/40 split-folding bench seat with heated outboard positions
- 3rd-row full-folding bench seat (Yukon XL Denali); 3rd-row 50/50 split-folding bench seat (Yukon Denali)
- Driver Information Centre with multi-function trip computer
- AM/FM stereo with in-dash 6-disc CD changer, Bose Premium 9-speaker system (including subwoofer) with AudioPilot noise compensation technology, power amplifier and second-row audio controls with earphone jacks

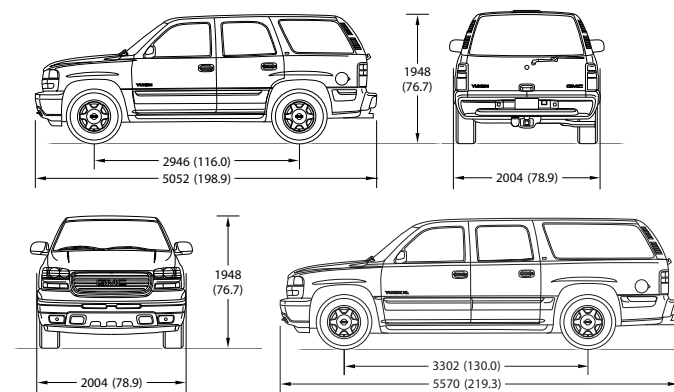
EXTERIOR FEATURES

- Body-colour front and rear bumpers
- Chrome grille
- Projector-beam style headlights
- 17" 6-spoke polished aluminum wheels
- P265/70R17 all-season tires
- Colour-keyed bodyside mouldings
- Colour-keyed assist steps
- Two front tow hooks

MECHANICAL FEATURES

- Vortec 6000 V8 with 335 hp and 375 lb.-ft. of torque
- Full-time all-wheel drive (AWD)
- StabiliTrak vehicle stability enhancement system
- AutoRide Control suspension
- Trailering Special Equipment Package

DIMENSIONS



CARGO AREA DIMENSIONS, mm (in.)	Yukon	Yukon XL
Height of rear door opening	916 (36.1)	916 (36.1)
Width of rear door opening	1247 (49.1)	1247 (49.1)
Maximum cargo floor width	1250 (49.2)	1250 (49.2)
Cargo floor width between wheelhousing	1247 (49.1)	1247 (49.1)
Load floor length to front seat	2139 (84.2)	2657 (104.6)
Load floor length to 2nd-row seat	1265 (49.8)	1768 (69.6)
Load floor length to 3rd-row seat	351 (13.8)	917 (36.1)

CAPACITIES, L (cu. ft.)

With all seats in position	462 (16.3)	1294 (45.7)
With 3rd-row seat removed or folded	1801 (63.6)	2549 (90.0)
With 2nd-row seat folded and 3rd-row seat removed	2962 (104.6)	3727 (131.6)

COLOURS. FABRICS. WHEELS.

YUKON EXTERIOR COLOURS



59 Silver Birch Metallic

62 Carbon Metallic

25 Deep Blue Metallic

15 Sand Beige Metallic

EXTERIOR/INTERIOR COLOUR COMPATIBILITY

Exterior	Interior	
	52 – Neutral	92 – Pewter
15 – Sand Beige Metallic	X	
16 – Steel Gray Metallic* (Denali models only)	X	X
25 – Deep Blue Metallic	X	X
26 – Blue Green Crystal*	X	X
41 – Onyx Black*	X	X
50 – Summit White*	X	X
59 – Silver Birch Metallic*	X	X
62 – Carbon Metallic	X	X
63 – Sport Red Metallic*	X	X

*Available on Denali models.

YUKON/YUKON XL INTERIOR FABRICS

Custom cloth, standard on SLE models.



52D – Neutral



92D – Pewter

Leather, standard on SLT models.

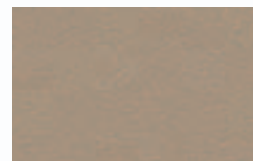


522 – Neutral



922 – Pewter

YUKON DENALI/YUKON XL DENALI INTERIOR FABRICS



522 – Sandstone



922 – Stone Gray

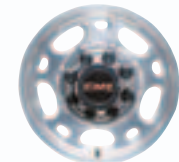
YUKON WHEELS



16" x 7"
Bright Aluminum.
Standard on
Yukon and Yukon
XL 1500 SLE.



17" x 7.5"
6-Spoke Aluminum.
Standard on Yukon
and Yukon XL
1500 SLT. Included
with Z71 Off-Road
Package.



16" x 6.5"
Polished Aluminum.
Standard on Yukon
XL 2500 models.

COMMITMENT

We're committed to engineering and manufacturing GMC Yukon so that it is an absolute pleasure to drive. And that's just the beginning. We're also committed to making the ownership experience just as responsive to your specific needs. You'll find that our comprehensive support programs make it easier to purchase or lease a GMC. They also help to protect you and your vehicle down the road. A powerful example of the level of protection you can expect is the GM TOTAL™ Warranty. It's so thorough it covers everything from the roof right down to the tires. So when you drive off the lot of your GMC dealership, you can do so with total confidence. Peace of mind is knowing that your vehicle is built for the long haul, and is backed by a comprehensive warranty.

THE GM TOTAL™ Warranty:†

The GM TOTAL™ Warranty is your promise of total warranty protection. It covers every new GMC Yukon for 3 years or 60,000 km*. Complete vehicle repairs are covered,** including parts and labour, with no deductible. The warranty includes:

- 3-year/60,000 km* complete vehicle repair coverage
- 6-year/160,000 km* corrosion perforation coverage
- 8-year/130,000 km* coverage on catalytic converters and powertrain control modules (PCMs).

*Whichever comes first.

**To correct any defects in material or workmanship occurring during the warranty period. Regular maintenance is not included, nor is excessive wear and tear caused by reckless or negligent driving.

OTHER OWNERSHIP PRIVILEGES AND PROGRAMS:‡

- **Roadside Assistance** – 24/7 service via toll-free number during your warranty period, anywhere in Canada or the United States
- **Courtesy Transportation** – may be offered during the warranty period
- **GM Protection Plan (GMPP)** – the only extended services contract backed by the resources and commitment of General Motors,

GMPP may be purchased at the time of your sale or lease, or subsequently

- **GM Mobility Program** – you may be eligible for reimbursement of up to \$1000 (taxes included) for adaptive equipment for your GM vehicle
- **GM Accessories** – personalize your vehicle with GM Accessories, specifically engineered for your new GM vehicle
- **GM Goodwrench Service** – with GM-certified technicians and GM-approved parts, nobody knows your GM vehicle better.

TO HELP YOU PURCHASE OR LEASE A NEW VEHICLE:

- **GMAC Financing** – on the spot financing at your GM dealership^{††}
- **GMAC SMARTLEASE** – a smart alternative to traditional financing^{††}
- **GM Student Bonus Program** – GM will cover the first two purchase finance or lease payments and the lease security deposit on eligible new GM vehicles for students and recent graduates of high school, college or university[†]
- **The GM Card** – eligible cardholders may be able to redeem up to \$3500 on GM Card® Earnings toward the total purchase price or lease down payment on selected vehicles. For more information on The GM Card please call 1-800-461-3279.[†]

INFORMATION RESOURCES:

You can find more information about these programs from your GM dealer, or at these information centres:

- The GM Web site at gmcanada.com
- The GM Customer Communication Marketing Centre at 1-800-GM-DRIVE (1-800-463-7483 or 1-800-263-3830 for TDD users) – for information about any GM product or service, including The GM Card and the GM Mobility Program
- For information about GMAC visit gmcanada.com or call 1-800-616-4622.

[†]Conditions and limitations apply.

^{††}Subject to eligibility.



Colours may not be exactly as illustrated due to restrictions of the printing process. Please see your Sales Consultant for specific colour and model availability and compatibility.

41 Onyx Black



50 Summit White



16 Steel Gray Metallic



17" x 7.5"
Polished Aluminum.
Standard on Yukon
Denali and Yukon
XL Denali.



20" x 8.5"
Chromed Aluminum.
Available on Yukon
Denali and Yukon XL
Denali.



26 Blue Green Crystal



63 Sport Red Metallic

A word about this brochure

Some of the equipment shown or described throughout this brochure may be available at extra cost. We have tried to make this brochure comprehensive and factual. We reserve the right, however, to make changes at any time, without notice, in prices, colours, materials, equipment, specifications, models and availability. Specifications, dimensions, measurements, ratings and other numbers in this brochure and other printed materials provided at the dealership or affixed to vehicles are approximates based upon design and engineering drawings and prototypes and laboratory tests. Your vehicle may differ due to variations in manufacture and equipment. Since some information may have been adapted since the time of the printing, please check with your GMC dealer for complete details. General Motors of Canada Limited reserves the right to lengthen or shorten the model year for any product, for any reason, or to start and end model years at different times.

Privacy Statement

At General Motors of Canada Limited ("GM Canada") we respect your privacy and value our relationship with you. Your personal information will be protected, will never be sold, and will be used only by GM Canada, our affiliates, dealers/retailers, and service suppliers (only to provide services). If you wish to be removed from GM Canada marketing communications; would like to limit only certain marketing communications from us; would like a listing of our specific uses or further information about those with whom your information is shared; or for further information about our Privacy Policy and practices, please contact us at 1-800-GM-DRIVE (1-800-463-7483) or through our Web site at gmcanada.com

A word about assembly

GMCs are equipped with engines and components produced and assembled by different operating units of General Motors, its subsidiaries and suppliers and these engines and components may change or be obtained from different sources from time to time. All such engines and components are approved for use in GMCs. Certain equipment ordered may be unavailable at the time of assembly and we suggest that you verify that your vehicle includes the equipment you ordered, or if there are changes, that they are acceptable to you.

Trademarks

The marks appearing in this GMC Yukon brochure including, but not limited to: General Motors, GM, the GM Canada emblem, the GM Canada Web site address, the GM Accessories logo, GMC, the GMC logo, Canyon, Denali, Envoy, Savana, Sierra, Yukon, and their respective logos, emblems, slogans and vehicle model names and body designs; and other marks such as Z71, Autotrac, AutoRide Control, DEX-COOL, PASSLock, SMARTLEASE, Solar-Ray, StabiliTrak, TOTAL Warranty and Vortec are all trademarks of General Motors Corporation and/or General Motors of Canada Limited, its subsidiaries, affiliates or licensors.

GMAC is a registered trademark of the General Motors Acceptance Corporation.

OnStar, the OnStar logo and the OnStar button are registered trademarks of the OnStar Corporation.

Bose and AudioPilot are registered trademarks of the Bose Corporation.

Radio Data System (RDS) is a registered trademark of the U.S. National Association of Broadcasters.

Copyright

©Copyright 2005 General Motors of Canada Limited. All Rights Reserved. All text, images, graphics, and other materials in this GMC Yukon brochure are subject to the copyright and other intellectual property rights of General Motors Corporation and/or General Motors of Canada Limited. These materials may not be reproduced, distributed or modified without the express written permission of General Motors Corporation and/or General Motors of Canada Limited.

Printed in Canada, August 2005.



CANYON



SIERRA



ENVOY



YUKON



SAVANA

A STORY ONLY GENERAL MOTORS CAN TELL.

General Motors' commitment to setting the highest standards in quality, safety, innovation, and fuel efficiency are matched by an equally strong commitment to the community.

DID YOU KNOW?

QUALITY: GM plants swept the J.D. Power Initial Quality Study^{SM*} rankings for North and South America: Gold and Silver Plant Quality Awards for the Canadian Oshawa #2 and #1 car plants, in addition to the Bronze Plant Quality Award for the Hamtramck, Michigan plant.

SAFETY: General Motors is the only automotive manufacturer committed to offering a full range of cars, trucks, and SUVs that provide safety protection before, during and after a collision. GM vehicles are equipped with a range of features and technologies that help drivers avoid collisions, reduce the risk of injury should a collision prove unavoidable, and help you get the assistance you need after a collision.

INNOVATION: GM is at the forefront of automotive technology with breakthrough features such as OnStar and XM Satellite Radio.

FUEL EFFICIENCY: GM offers more cars than any other automaker in Canada that get better than 7.0 L/100 km in highway driving. GM has also won more EnerGuide fuel-efficiency awards than any other car company.

GM IS COMMITTED TO CANADA.

INVESTMENT: GM invests more in Canada than any other car company: The \$2.5 billion Beacon Project represents the largest automotive investment in Canadian history.

EMPLOYMENT: GM directly employs over 20,000 people in Canada – more than any other car company.

DESIGN: GM is the only car company that designs, engineers and builds cars in Canada.

GM IS BEHIND YOU AND YOUR VEHICLE.

GM is equally comprehensive in the way it backs its GMC vehicles. All GMC models include:

- **3-year/60,000 km** complete vehicle repair coverage**
- **6-year/160,000 km** corrosion perforation coverage**
- **8-year/130,000 km** coverage on catalytic converters and powertrain control modules (PCMs)**
- **3-year/60,000 km** 24-hour Roadside Assistance.**

*General Motors Corporation – Oshawa #2 (Ontario – Car) was the highest ranked plant, Oshawa #1 (Ontario) was the second ranked plant and Hamtramck, MI was the third ranked plant in North/South America among plants producing vehicles for the U.S. market in J.D. Power and Associates 2005 U.S. Initial Quality StudySM. Study based on a total of 62,251 U.S. consumer responses indicating owner reported problems during the first 90 days of ownership. www.jdpower.com

**Whichever comes first.



Canada 

CHEVROLET PONTIAC BUICK GMC CADILLAC SATURN SAAB HUMMER

GMC BUILDING LEGENDS

gmcanada.com