



# VOLVO V90 CROSS COUNTRY

MY2018



# INNOVATION FOR PEOPLE

**At Volvo Cars**, we continuously innovate in order to make your life better. Every car, every technology and every design is the result of a clear vision – to put people at the heart of everything we do. It's a vision that has driven us from the start and has inspired us to create the likes of the three-point seat belt and side-impact airbags – inventions that have saved lives and changed automotive history. And with our new generation of cars we continue with this tradition. Scandinavian design combines with modern Swedish luxury to enrich your experience. Intuitive Sensus technology makes life less complicated and keeps you connected with the world, while the latest Drive-E powertrains balance responsive power with class-leading efficiency. And supporting you while you are driving, our IntelliSafe innovations make your journey more comfortable and enjoyable while helping to prevent accidents.

We understand what's important to people. It forms the basis of all the innovations that we create. Innovations that improve lives.

At Volvo Cars, we design our cars around you.

## Contents

Exterior Design.....	4	Chassis.....	34	Accessories.....	54
Interior Design.....	8	Powertrains.....	36	Option Packages.....	62
Versatility.....	12	Equipment Levels.....	38	The Volvo Experience.....	66
Sensus.....	16	Cross Country.....	40	Facts and Figures.....	70
IntelliSafe.....	24	Cross Country with Luxury Package.....	46		
Drive-E.....	32				





**Ever since we** came up with the idea of adding go-anywhere capability to our legendary versatility, the Volvo Cross Country has been taking drivers further. To the places they want to reach, the things they want to do, the experiences they want to be part of. And, all the while, we do this by keeping them safe, comfortable and in control.

We've been refining the concept for nearly two decades. Now we've arrived here – this is the new V90 Cross Country. The point at which all that experience meets Volvo's new generation of elegantly versatile luxury cars. The result is an adventure crossover with the best of Scandinavian design and craftsmanship.

## GO FURTHER

*Your adventure awaits.*

**A car to** take on more than the everyday, the V90 Cross Country is a true all-road vehicle. In bad weather, on rough roads and when conditions get tough, you can rely on it.

Elegant and refined, the V90 Cross Country tells the world what it can do and where it can take you. Clean, taut lines and rugged details create a powerful look that conveys a strong sense of capability – with practicality built in.

The V90 Cross Country is packed with innovative technology that has one purpose: to make your life easier; and one principle: it must be easy to use.

No matter what's going on outside, the V90 Cross Country is a sanctuary inside. The spacious, light-filled cabin is made from the finest materials and constructed with the care and attention provided by Swedish craftsmanship. Designed to make every experience an adventure, it is a place where you can relax in comfort, where technology enhances your journey.

*"No matter what's going on outside,  
the V90 Cross Country is a sanctuary inside."*



**T6 AWD | Cross Country**  
714 Osmium Grey Metallic

**Visible strength.** Combining the elegance of our new design language with Cross Country ruggedness has created a car that's sophisticated, tough and practical.

Its large wheels and increased ground clearance give you

confidence on any road. The front and rear skid plates blend seamlessly into the bumper for an elegant and rugged look. Bold lines, the raked rear window and the tall LED tail lights, with their slender vertical shape, are both contemporary and classically Volvo.

**T6 AWD | Cross Country**  
714 Osmium Grey Metallic | 20" 10-Spoke  
Tech Matte Black Diamond Cut Alloy Wheels, 226



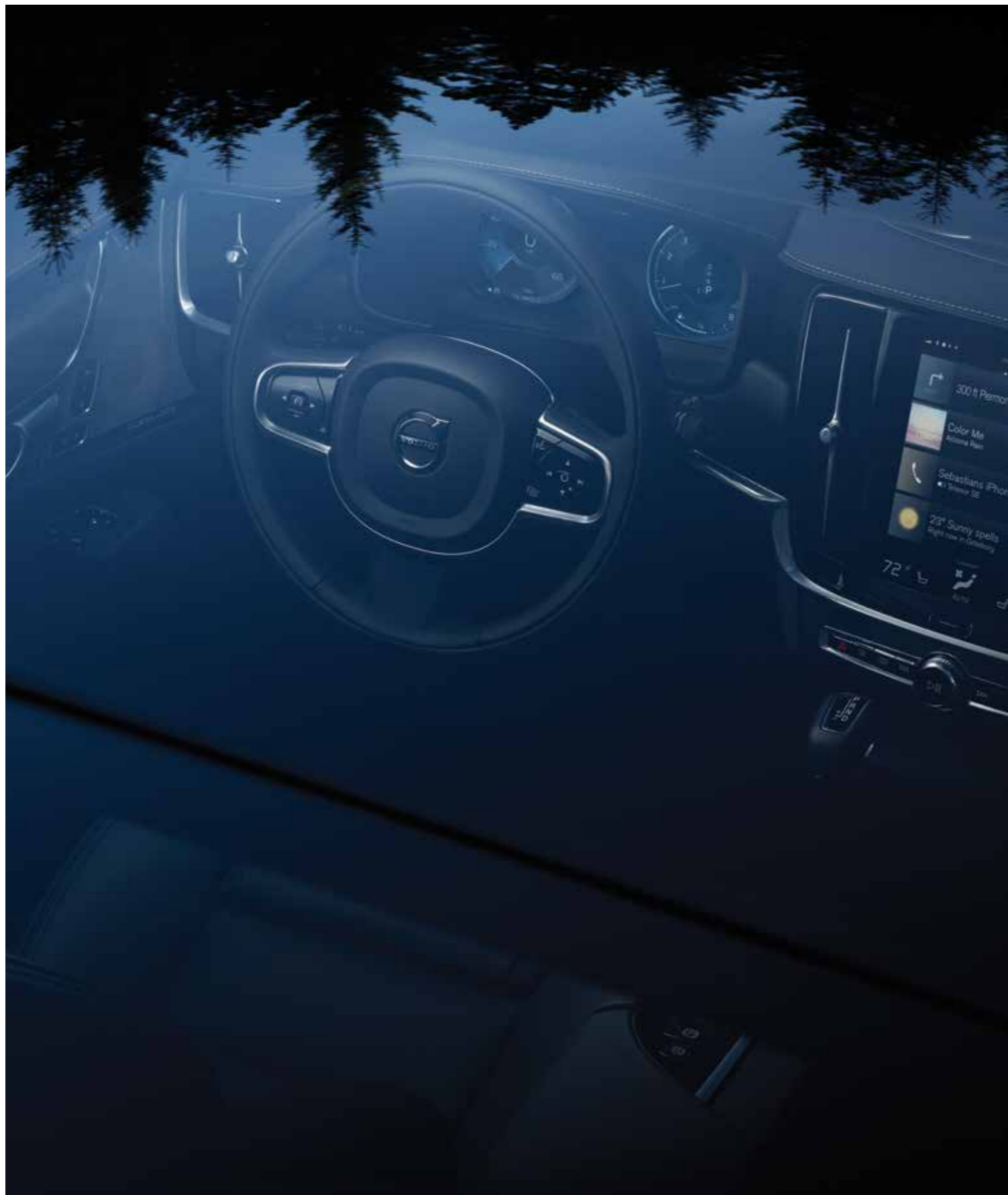
**Interior**  
Charcoal in Charcoal Interior (European Spec Shown) |  
Dark Walnut Wood Inlay



## **DESIGNED FOR CONTROL**

*Precision and accuracy at every touch.*

**From the moment** you settle into the sculpted driver's seat you're in control. You sit comfortably in the V90 Cross Country, with the 9" Sensus Touchscreen angled towards you to create the feeling of a cockpit. You're surrounded by an environment where elegant materials and advanced technology meet, creating a cabin that looks wonderful and works perfectly. Dark Walnut Wood trim, unique to the V90 Cross Country, typifies our approach to materials: modern, restrained and good to touch. The exceptional craftsmanship enhances the feeling of precision. Take the air vents, for example. With a metal-finish vertical strip and distinctive diamond-pattern surfaces for the control knobs they are beautiful to look at and a pleasure to use. In the V90 Cross Country, every component moves with the accuracy afforded by fine engineering.



## LIGHT. SPACE. LUXURY.

**Travel first class** in every seat, every day. Because when you're in the V90 Cross Country you're in your own private lounge, a place where comfort and luxury combine with technology and craftsmanship.

It starts with the front seats. Sculpted to complement the human form, they provide superb support and a huge range of adjustment, so everyone can find the ideal seating position. Ventilation and massage functions provide even greater comfort.

The shape of the backrests increases legroom for passengers in the rear. The rear seats are designed to pamper and support, while four-zone climate control, retractable rear sun blinds and individually controlled heated outer rear seats add to the sense of luxury.

The Panoramic Moonroof floods the entire cabin with light. Tinted to prevent glare, the roof opens to create an even more airy feel.

At night the cabin glows with the warmth of its interior lighting, welcoming you into the car. The high-level illumination lighting package includes backlit door handles and illuminated tread plates, as well as additional interior lighting that enhances the exclusive ambience.

Our CleanZone technology helps ensure a healthy interior environment and clean cabin air. It filters dust, pollen, particulates and odors while monitoring the air quality and closing the intakes if pollutant levels rise too high. It happens automatically – all you need to do is set the temperature you want and the car does the rest.

In the V90 Cross Country, technology and convenience go hand in hand.



In the driver's seat, you're in charge. Control functions such as navigation and entertainment from the steering wheel buttons, while the 12.3" Digital Driver Display keeps you informed.



Every element of the cabin is crafted to make form and function one. The door handles can be backlit, making them easier to find in the dark.



Beautiful, natural materials such as Dark Walnut Wood complement the car's advanced technology, creating a uniquely contemporary look.

*"The clever design and versatile interior layout make every day easier."*



## READY FOR EVERY ADVENTURE

*A car that fits your life – all of it.*

**Getting you there** is just the start. The V90 Cross Country matches its all-road ability with built-in versatility to create a car that can do more.

The clever design and versatile interior layout make every day easier. The shape of the load compartment makes it easy to fit your cargo, and the rear seats fold at the touch of a button to create a longer, completely flat load space. You can do this from inside the load compartment so you don't have to open the rear doors to fold the seats. The through-loading hatch means you can carry long items such as skis without folding the seats.

The power-operated tailgate has a hands-free function, so if your hands are full you don't have to put down what you're carrying to open it. Just move your foot under the rear bumper to automatically open and close the tailgate.

To make your V90 Cross Country even more useful, add extra equipment from our range of load compartment accessories. From dividers that split the load compartment in two so you can carry two pets (or a pet and luggage) to a steel grill that provides a sturdy barrier between load and passenger compartment, there's an accessory for every occasion.

**T6 AWD | Cross Country**  
714 Osmium Grey Metallic



## ALL-ROAD CAPABILITY OPENS UP YOUR WORLD.

In the V90 Cross Country, the limits of your adventure don't have to be defined by the limits of your car.

Our sophisticated fifth-generation all-wheel-drive system keeps the V90 Cross Country moving when roads get rough or conditions deteriorate. It automatically sends the right amount of power to the wheels that need it the most, so when the road runs out you can keep going. With its increased ground clearance and large wheels, this car has the capability to take you wherever you want to go. Descending steep hills is made straightforward with Hill Descent Control, which carefully applies the brakes to keep the car from moving too quickly or sliding.

You can tailor the way the V90 Cross Country behaves off road by selecting Off-road mode from the Drive Mode menu. It makes the car easier to drive on difficult surfaces such as wet grass, mud and loose gravel by changing the way the engine delivers its power and recalibrating the car's drivetrain so you have more control at slower speeds. On uneven ground, the Active chassis with rear air suspension comes into its own, taking bumps and ruts in its stride. When the road becomes a challenge and the weather becomes unpredictable, the V90 Cross Country gets you where you want to go. In comfort.



*"Sensus connects you with your  
Volvo and the rest of the world."*



## ***SENSUS***

*Intuitive, intelligent technology  
to always keep you connected.*

**Sensus connects you** with your V90 Cross Country and the rest of the world. It keeps you informed, entertained and in control of your journey.

Intuitive, easy-to-use controls are a prime feature of Sensus and you will find them on the large, 9" Sensus Touchscreen. Replacing physical buttons with virtual equivalents on the screen allows them to be larger and easier to use. Bold, clear graphics make it easy to absorb information at a glance. Our philosophy has always been that you should be able to operate your Volvo and keep your eyes on the road. The head-up display means you can do just that.

And Sensus goes further, with in-car WiFi keeping your devices connected to the internet, while our audio systems offer considerable flexibility when it comes to choosing your desired music source and tailoring its sound.

## CONNECTING YOU WITH A WORLD OF ENTERTAINMENT.

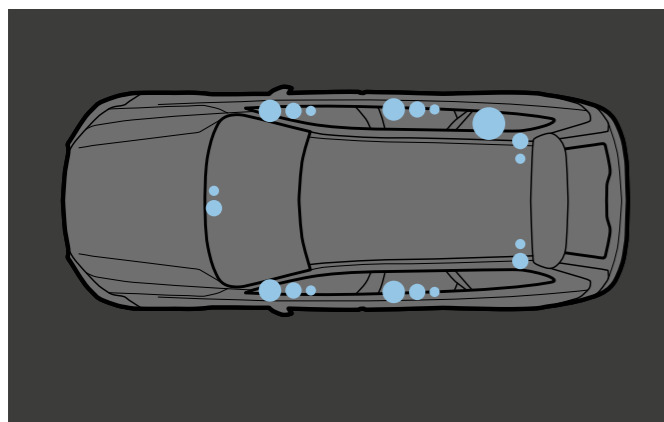
**Get closer to** the music you love, no matter which seat you're in. With Sensus Connect, all of your music is available all of the time, whether it's direct from your favorite media source or streaming from the internet.

It all begins with the 9" Sensus Touchscreen, the control center for Sensus. The surface responds to the lightest of touches – you only need to brush your fingers over the glass to operate the controls. It even works with gloved hands.

Connecting your devices is quick and easy. With our Smartphone Integration you simply plug your smartphone into the car using the USB connection and you can turn the center display into an extension of your iPhone® (5 or later) or Android smartphone (5.0 Lollipop or

later). You can connect via Apple CarPlay™ or Android Auto™ to access your device's music, make calls and send messages. And when connected, your phone will be charging, too.

Your choice of entertainment is not limited by what you have on your smartphone or portable audio player. WiFi and tethered internet increases your choice, with a fast and stable connection through the roof aerial. The Spotify® in-car app makes finding new music quick and easy, and you have access to internet radio and on-demand services, as well. Our High Performance audio system is tuned to make the most of your music, while Bowers & Wilkins takes the listening experience to another level.



**Our Bowers & Wilkins audio system** gives every occupant a superb audio experience, no matter which seat they are sitting in. Developed with Bowers & Wilkins, creators of high-end audio, this innovative technology brings exceptional clarity and realism to your favorite music. The unique air-ventilated subwoofer delivers richer, deeper bass by drawing air in from outside the car so it can pulse more air through the speaker. There are 19 speakers, allowing everyone



in the car to get the best possible sound, all the time. And you get closer to the performance by using one of the system's three room modes to bring the music to life. Concert mode recreates the unique acoustic experience of the Gothenburg Concert Hall, while Stage and Studio modes put you at the heart of the music, allowing you to hear it as the musicians intended.

*"Turn the center display into an extension of your smartphone using our Smartphone Integration."*



**9" Sensus Touchscreen.** The focal point of the elegant cabin is the 9" Sensus Touchscreen, which uses a portrait format to give you a large viewable area that means less scrolling. This format is perfectly suited to displaying maps, and mirrors the look of modern smartphones

in its layout, so it feels instantly familiar and intuitive. It features a glossy black finish that, thanks to a special coating, minimizes reflection – so it not only looks beautiful but works beautifully. This is how technology should be.

## GET TO YOUR DESTINATION EVERY TIME, WITH EASE.

Let **Sensus Navigation** be your guide, helping you find your destination and keeping you informed. Everything you need to know is shown on the 12.3" Digital Driver Display right in front of you. The high-resolution image self-adjusts so it's never too bright, automatically resizing the instruments to accommodate navigation information. The head-up display shows all the vital information on the lower part of the windscreen, projected to look like it is hovering

in front of the car. You stay informed without ever having to take your eyes off the road. Getting to your destination is made even easier with the clear graphics of our maps. With free lifetime mapping upgrades, Sensus stays one step ahead, guiding you accurately.

Sensus also saves you time by helping you find what you're looking for, with built-in navigation apps capable of locating a parking space and finding gas stations.



**Voice control.** Controlling Sensus is as easy as telling it what to do. Talk to your Volvo, using natural phrases such as "call Emily Johnson," and voice control will carry out your instructions to operate climate control, navigation, infotainment and your smartphone.



**Center display.** The portrait format center display with touchscreen makes reading maps and following navigation prompts beautifully straightforward. Maps appear as they would in an atlas and they scroll less, so you can see where you're going and what's coming next. Its clarity, size and orientation make it the ideal companion for every journey.





**Volvo On Call** makes life easier and enhances the experience of owning a Volvo. It's a safety, security, and convenience feature that includes a mobile app.

The remote engine start lets you begin every drive in comfort. Heat and defrost your car on cold mornings and cool your car on hot days, before you even get in. You can also check if a window or the tail gate is open, and see if your car is locked, then lock it or unlock it, all with the touch of a button.

Plan journeys from home by searching for destinations in the app or from a computer and sending them to your car – so when you're ready to go, so is the navigation system. Volvo On Call can even sync with your calendar to remind you of appointments, then tell you how to get there.

It's easy to find your car in a crowded parking lot. Just use the app's car locator function to flash the lights or honk the horn. With Volvo On Call, you can also check your fuel level, log journey data, and find out when your Volvo is due for service.

When you need help, Volvo On Call is ready. Just push a button and connect to the service center to get roadside assistance. And if you're in a collision that releases an airbag, Volvo On Call will detect it and send help, even if you can't push the SOS button yourself. Plus, Volvo On Call alerts you if your alarm goes off and helps the police track your car if it's stolen.

The app is compatible with your smartphone, iPad®, Windows 10-based PC or tablets, and wearables such as Apple Watch®, and mobile app services are included for 4 years after you purchase your car. Volvo On Call is one more example of human-centric innovations, developed by Volvo Cars to improve your life.

**T6 AWD | Cross Country**  
714 Osmium Grey Metallic

**The power to protect.** Hidden behind the striking front end lies an array of safety technology that helps to make driving safer and easier.

## INTELLISAFE

*Always looking out for you.*

**IntelliSafe** is our name for the intuitive, intelligent Volvo Cars technologies that support your driving, help to prevent accidents and protect you in a collision. These innovations play a key role in helping us to realize our bold vision that, by 2020, no one will be killed or seriously injured in a new Volvo car.

City Safety is at the heart of IntelliSafe. Fitted as standard, it's like a co-pilot that's looking out for you, detecting danger ahead, then warning you and intervening if necessary. City Safety identifies other vehicles, pedestrians, cyclists and large animals ahead of you, even at night. It warns you of any hazards, and if you don't react, it will brake automatically to help avoid or mitigate a collision.

Pilot Assist adjusts the steering to help you keep the car centered in its lane and at a set speed and distance from the car in front. Oncoming Lane Mitigation can help avoid collisions with oncoming

vehicles. If you drift across the lane markings in the way of an oncoming vehicle, your car steers back. Run-off Road Mitigation steers and, if necessary, brakes to help prevent you leaving the road accidentally. Driver Alert Control recognizes if you're tired or distracted and suggests that it's time to take a break, while Road Sign Information reminds you of the speed limit.

With IntelliSafe you will get BLIS™ (Blind Spot Information System) with Steer Assist for increased awareness and confidence on the highway, alerting you to vehicles alongside you. If you don't react to the warning and start to drift into the path of another vehicle, the Steer Assist function will gently guide you back into your lane.

With safety technology that's as advanced as this, your Volvo can help make every day safer. For you, your passengers and everybody.



**With Oncoming Lane Mitigation**, your Volvo helps reduce the risk of colliding with an oncoming vehicle. Working at speeds between 40 mph and 86 mph, it automatically helps you steer back into your lane if it detects that you have crossed the lane markings and into the path of an oncoming vehicle.

**With Pilot Assist**, your Volvo makes your journey easier and more relaxing. Pilot Assist helps keep your Volvo at a set speed or a set distance from other vehicles, and at speeds of up to 80mph, it helps keep the car in the center of the lane by making small adjustments to the steering.

**Cross Traffic Alert** helps you to reverse out of a space knowing that there are no vehicles about to collide with you. This technology can spot vehicles approaching from either side of your Volvo at a distance of up to 98 ft. In some circumstances, it can also detect approaching cyclists and pedestrians.

**T6 AWD | Cross Country**  
714 Osmium Grey Metallic | 20" 10-Spoke  
Tech Matte Black Diamond Cut Alloy Wheels, 226



**T6 AWD | Cross Country**  
714 Osmium Grey Metallic | 20" 10-Spoke  
Tech Matte Black Diamond Cut Alloy Wheels, 226

**Perfect parking, every time.** Park Assist Pilot tells you if a parking spot is the right size for your Volvo and then takes over the steering to put your car into parallel and perpendicular parking spaces. It requires a space just 1.2 times the length of your Volvo, so it can tackle even the tightest of spaces. Engage a gear, accelerate and brake according to the screen prompts and your Volvo will take over the steering completely to maneuver your car into the space. If you want to park the car yourself, the optional 360° Surround View Camera will help you fit into the space with confidence.







## PROTECTING WHAT'S MOST IMPORTANT.

**Protecting you and your passengers** has always been our priority at Volvo Cars, and our latest generation of cars does more than ever to keep you safe. From preventive technology that helps you avoid collisions to protective features that cushion the impact of any collision, we will never stop innovating in order to improve your safety.

The foundation for our new generation of cars is a very strong passenger compartment that uses a high percentage of ultra high-strength (boron) steel to create a protective cage around you and your passengers.

Should your car leave the road, Run-off Road Protection technology reduces your chances of suffering serious injury. Prepared front seat belts automatically tighten when the car senses that an impact is imminent, ensuring that you and your passenger are in the safest position if a collision occurs. If the car leaves the ground as a result of running off the road, our unique energy-absorbing seats help to protect your spine in the event of a hard landing.



The sculpted front seats in the V90 Cross Country are more than just beautiful to look at. Their unique structure helps to absorb vertical impacts, helping to protect your spine if the car lands heavily after leaving the road.

Prepared front seat belts tighten automatically if the car detects that a collision is likely, to ensure that you're in the safest position should one occur.



**T6 AWD | Cross Country**  
714 Osmium Grey Metallic

*"Balancing performance and efficiency, every Volvo powertrain gives you on-demand power with low fuel consumption and emissions."*

## **DRIVE-E**

*Enjoying more, using less.*

Drive-E is our new generation, all-embracing approach to efficient power and an uncompromising driving experience. In fact, it redefines how luxury cars will be powered in the 21st century. It delivers the performance and driving enjoyment you'd expect from a luxury crossover as well as reduces the impact on the environment. This means you get power and driveability together with low fuel consumption and CO<sub>2</sub> emissions.

The key to this is our new, lightweight, low-friction, turbo and turbo/super-charged 2.0L four-cylinder engine, which is coupled with our newly-designed automatic eight-speed Geartronic™ transmission. To maximize the efficiency of our Drive-E powertrains, there's an Eco Mode, which calibrates the gearbox and engine control systems for the lowest possible fuel consumption. Eco Mode also softens the throttle response to further boost efficiency. Since the air-conditioning impacts fuel use, it is partly disengaged in Eco Mode, although it can be fully switched on manually.

There's also the Eco-Coast function, which uses the car's kinetic energy to save fuel. When the driver stops pressing the accelerator at speeds above 40mph, there is no engine braking; the car just coasts along with the engine at idle. Finally, the Stop/Start system also plays its part in lowering fuel consumption.

This technology enables us to offer the power of a much larger engine from a compact four-cylinder to achieve the perfect mix of power and efficiency.



**T6 AWD | Cross Country**  
 714 Osmium Grey Metallic | 20" 10-Spoke  
 Tech Matte Black Diamond Cut Alloy Wheels, 226

## DRIVEN TO PERFECTION.

We designed the V90 Cross Country from the ground up for all-road capability and on-road precision. That's why the sophisticated suspension gives you the best of both worlds. Accuracy and precision when you want it, with the technology to keep you moving when conditions are bad.

Double wishbone front suspension works in harmony with integral axle rear suspension to give you precise control over the car. Our active chassis with rear air suspension compensates for loads, while adapting to the road and driving conditions for an even better ride. Advanced driver aids such as Electronic Stability Control and Understeer Control Logic keep the V90 Cross Country stable, contributing to the way it handles corners. The Cross Country suspension and larger wheels create additional ground clearance, and all-wheel drive gives you the edge on demanding roads and in challenging conditions.

Choose between four drive modes that allow you to tailor the car's behavior to your mood and find the perfect setting for the road you're on. Select Off-road mode and Hill Descent Control is automatically turned on, helping you negotiate steep downward slopes. Altering the engine, gearbox, accelerator and steering response changes the way the car behaves and, with the active chassis with rear air suspension, how it rides and handles.

And when you come to a stop, the V90 Cross Country helps you to get going again. Hill Start Assist makes pulling away on an incline effortless by holding the car on the brake until you press the accelerator. Auto Hold keeps the brakes on after you've released the pedal, so you can let the car do all the work in stationary traffic.



Discover superior comfort and handling created by rear air suspension. It soaks up poor road surfaces and keeps the ride height constant so the car responds how you want it to. Active chassis technology allows you to customize the way the V90 Cross Country rides and handles.



**T6 AWD | Cross Country**  
714 Osmium Grey Metallic



## YOUR JOURNEY BEGINS HERE.

We created the V90 Cross Country with one single purpose: to provide you with a car that perfectly fits you and your adventures. A car that meets your expectations of a dynamic drive with refined comfort and sophisticated design.

At the heart of your V90 Cross Country is a dynamic, efficient powertrain. Whichever you choose, you will enjoy our latest technology that gives you instant response and a smooth ride. Fuel consumption and CO<sub>2</sub> emissions are kept low, and our

powertrains already comply with future exhaust emission legislation.

Our Drive-E powertrain range includes advanced gas engines mated to our smooth eight-speed Geartronic™ automatic gearbox. Our responsive AWD all-wheel drive technology with Instant Traction™ gives you an edge by increasing driving stability and traction – on all road surfaces and in all weathers.

Make your choice, and enjoy the journey wherever it takes you.

### **T6 AWD**

This high-performance 316hp/295 lb-ft gas powertrain provides excellent driving dynamics without compromising on efficiency. Combined super-charger/turbo technology, responsive all-wheel drive and our smooth 8-speed Geartronic™ put you in control of your drive.

### **T5 AWD**

The 250hp/258 lb-ft T5 gas powertrain is as responsive on the highway as in the city. This superb all-rounder delivers generous power just where you need it, ensuring excellent driveability in combination with our smooth 8-speed Geartronic™ automatic gearbox and all-wheel drive.

**T6 AWD | Cross Country**  
714 Osmium Grey Metallic | 20" 10-Spoke  
Tech Matte Black Diamond Cut Alloy Wheels, 226



**Volvo V90 Cross Country**  
The high level of standard equipment meets your demands on style, comfort, capacity and safety.



**Volvo V90 Cross Country with Luxury Package**  
The highly sophisticated expression of Scandinavian refinement and intuitive technology.

## CREATE THE VOLVO V90 CROSS COUNTRY OF YOUR CHOICE.

To ensure you get your V90 Cross Country exactly as you want it, we have created a range of options and equipment levels. Even if your V90 Cross Country is generously equipped already in the standard Cross Country equipment level, you may want to enhance the

experience even further with the Luxury Package equipment level. Whatever you prefer, you can rest assured there's a Volvo V90 Cross Country for you.

## THE RIGHT EQUIPMENT FOR YOUR DRIVE.

Choosing a Volvo V90 Cross Country is easy. And now all you need to do is select the equipment level that's right for you and your adventures. Already our standard equipment level Cross Country will provide you with a high level of technology that will meet high demands on style, comfort and safety. For example, you can enjoy the control provided by our 8" Digital Driver Display and Sensus Connect with enhanced connectivity – such as the intuitive operation of our 9" Sensus Touchscreen and voice control – and the clear sound reproduction of our High Performance audio system including Bluetooth® music streaming. Our electronically-controlled two-zone climate system ensures you and your passengers can enjoy a comfortable cabin climate in all temperatures – the driver and front seat passenger can adjust the temperature to suit individual preferences. And of course: you get our world-leading technologies including the award-winning City Safety Collision Avoidance Technology, Lane Keeping Aid, Road Sign Information, Run-off Road

Mitigation, Oncoming Lane Mitigation and Assist with semi-autonomous driving technologies such as Adaptive Cruise Control and Pilot Assist as standard.

Our signature design LED headlights contribute to both a strong visual identity and excellent vision in the dark without dazzling others. Together with the high gloss black deco exterior design elements, the bright finish integrated roof rails and the optional larger 19" or 20" wheels, they will add to the exclusiveness and road presence of your V90 Cross Country.

On the inside, metal tread plates welcome you every time you enter the cabin of your Volvo. The stylish Leather upholstery with unique and genuine Dark Walnut Wood Decor Inlays further complement the interior ambience.

When it's dark, the upgraded interior illumination enhances the luxurious feeling inside your V90 Cross Country.



### CROSS COUNTRY

Includes:

**Exterior:**

18" Alloy Wheels (T5) and 19" Alloy Wheels (T6) | Cross Country Mesh Grill | Charcoal Lower Grill | Cross Country Lower Outer Front Grills | Charcoal Wheel Arch Extensions | Charcoal Sills and Bumpers Lower Section | Charcoal Sill Moldings | Charcoal Lower Side Molding | Color-Coordinated Door Mirrors | Bright Integrated Roof Rails | Cross Country Rear Bumper | Dual Integrated Tailpipes | Hill Start Assist | Hill Descent Control | High Gloss Black Deco, Side Windows

**Interior:**

Comfort Seats with Leather Upholstery | 4-Way Power Adjustable Lumbar Support | Leather-Clad Steering Wheel | Leather-Clad Gear Lever Knob | Dark Walnut Wood Decor Inlays | Two-Zone Electronic Climate Control | CleanZone | Load Cover | Keyless Start | Net Pocket on Tunnel | Cargo Opening Scuff Plate in Stainless Steel | Interior Mid Level Illumination | Metal Door Tread Plates, Front and Rear | Floor Mats

**Sensus:**

8" (T5) and 12.3" (T6) Digital Driver Display | 9" Sensus Touchscreen | High Performance Audio System | Sensus Connect | Remote Control Buttons in Steering Wheel

**IntelliSafe:**

City Safety | Pilot Assist – Semi-Autonomous Drive with Adaptive Cruise Control | Lane Keeping Mitigation | Lane Departure Warning | Driver Alert Control | Road Sign Information | Run-off Road Mitigation | Oncoming Lane Mitigation



1-2. Signature design LED illumination headlights, high gloss black exterior details and bright aluminum roof rails contribute to the both powerful and elegant appearance of the V90 Cross Country. 3. The 12.3" Digital Driver Display (Standard T6, Optional T5) for Cross Country allows you to choose between different visual appearances. To provide optimum visibility, the display's brightness automatically adapts to exterior light conditions. 4. The integrated bright aluminum roof rails add an extra touch of exclusivity to your V90 Cross Country. 5. Sensus Connect includes the large 9" Sensus Touchscreen, voice control, USB inputs, Sensus Navigation and our 330W High Performance audio system with 10 speakers and Bluetooth® audio streaming and smartphone integration. 6. Unique decor inlays in genuine Dark Walnut Wood add to the exclusive ambience inside your V90 Cross Country.



**18"** 5-Double Spoke Silver Alloy Wheel, 148 (Standard T5)



**19"** 6-Double Spoke Tech Matte Black Diamond Cut Alloy Wheel, 151 (Standard T6)



**19"** 5-Double Spoke Glossy Black Diamond Cut Alloy Wheel, 224 (Optional T5)



**20"** 10-Spoke Tech Matte Black Diamond Cut Alloy Wheel, 226 (Optional T6)



**614**  
Ice White



**700**  
Twilight Bronze Metallic



**707**  
Crystal White Metallic



**711**  
Bright Silver Metallic



**714**  
Osmium Grey Metallic



**717**  
Onyx Black Metallic



**722**  
Maple Brown Metallic



**723**  
Denim Blue Metallic

## CROSS COUNTRY

Stylish high-profile 18" alloy wheels come standard, and you have the option of larger 19" and 20" wheels. The exterior color you choose has a dramatic impact on the personality of your V90 Cross Country. Available in different variations, each color imbues your

Volvo with a sense of luxury and presence. Adding to the rugged Cross Country look, the lower body parts and wheel arch extensions are in contrasting Charcoal. For more elegance, some of the body colors are also available in full color-coordination.



Comfort Seat



1



2



3



4



5

### CROSS COUNTRY

The interior of the V90 Cross Country is testimony to our designers' pursuit to create a space in which you feel relaxed and in complete control. The V90 Cross Country comfort seats feature Leather upholstery in several different interior color combinations to

suit your personal preferences. The interior ambience is further enhanced by decor inlays in unique Dark Walnut Wood and metal tread plates front and rear. Or for a sportier, more hi-tech inspired look – opt for our Iron Ore aluminum decor inlays.

**UPHOLSTERIES** Leather Comfort Seat **1.** Charcoal in Charcoal Interior, RA00 **2.** Amber in Charcoal Interior, RA20 **3.** Blond in Blond/Charcoal Interior and Charcoal base carpets and mats, UA00 **4.** Dark Walnut Wood Inlay (Standard) **5.** Iron Ore Aluminum Inlay, 437 (Optional)



## A HIGHER GRADE OF REFINEMENT.

We created the exclusive V90 Cross Country to meet your highest expectations of Scandinavian refinement and intuitive technology, and the Luxury Package takes your experience to another level. Each detail is carefully selected to give you and your passengers a sophisticated and invigorating experience on the road. The luxury

package comes with ventilated Nappa Soft Leather Comfort Seats that contain a massage function to ensure your drive is as pleasurable as possible. The Rear Sun Curtains and Heated Rear Seats ensure your passengers travel in comfort. The V90 Cross Country Luxury Package is in a class of its own.

### T6 AWD | Cross Country with Luxury Package

722 Maple Brown Metallic | 20" 10-Spoke  
Tech Matte Black Alloy Wheels, 226



### CROSS COUNTRY WITH LUXURY PACKAGE

Includes Cross Country equipment level features in addition to:

#### Exterior:

Fully Color Coordinated Sills and Bumpers | Shown with Optional 20" Tech Matte Black Alloy Wheels

#### Interior:

Comfort Seats – Ventilated Nappa Soft Leather Upholstery | 4-Zone Electronic Climate Control and Cooled Glove Box | Power-Operated Load Cover | Rear Sun Curtains, Rear Side Doors | Backrest Massage, Front Seats | Heated Rear Seats | Outer Positions | Power Cushion Extensions, Front Seats | Tailored Dashboard and Upper Door Panels



1



2 | 3

## CROSS COUNTRY WITH LUXURY PACKAGE

The V90 Cross Country means refined luxury, featuring all the technology, comfort and versatility you need for sophisticated adventures. The distinct 19" 6-Double Spoke Tech Matte Black Diamond Cut Alloy Wheels harmonize perfectly with the high gloss black exterior details and the integrated bright roof rails. Together with the elegant dual integrated tailpipes, the wheels contribute to the car's confident stance.

The luxurious theme continues with authentic, finely crafted materials that create a lounge-like atmosphere of sumptuous well-being. You and your passengers can lean back in sculpted power-operated Comfort Seats with exclusive Fine Nappa upholstery. The Dark Walnut genuine wooden inlays and the floor mats add to the rewarding Cross Country experience.

For you as driver, the large intuitive 12.3" Digital Driver Display with four graphic modes and convenient drive mode and steering settings in the console between the front seats add to your feeling

of being in command. And to enhance your driving experience, our optional active chassis with rear air suspension optimizes comfort and handling – select between four different chassis settings with the drive mode control.

For an even higher level of comfort, the luxury package includes ventilated seats with massage functions. The four-zone climate control allows both the driver and the front seat passenger as well as the outer rear seat passengers to set their individual cabin temperature. The Panoramic Moonroof provides air and light – the front section can be opened at the push of a button, and during sunny days a power-operated sunshade will reduce the heat and glare while maintaining the airy feel inside the cabin. And turning your V90 Cross Country into a concert hall, our optional high-end audio system Bowers & Wilkins brings exceptional clarity and realism to your music, wherever you're seated.



4



5



6

1. V90 Cross Country with Luxury Package with optional 20" 10-Spoke Tech Matte Black Diamond Cut Alloy Wheels. 2. The power-operated Comfort Seats with Fine Nappa Leather upholstery together with unique Dark Walnut genuine wood decor inlays add to the sensory experience of contemporary luxury. 3. The intuitive 12.3" Digital Driver Display with four graphic modes and the 9" Sensus Display with touchscreen put you in the center of the action. 4. Our optional Bowers & Wilkins audio system with 19 high-end speakers is created to deliver the most realistic immersive sound possible. 5. Select your preferred drive mode and steering characteristics with the scroll wheel in diamond patterned metal finish. 6. The Key Fob is in the same color as the Leather upholstery in your V90 Cross Country – an excellent example of thoughtful Scandinavian craftsmanship and clean design.



**707**  
Crystal White Metallic



**714**  
Osmium Grey Metallic



**717**  
Onyx Black Metallic



**722**  
Maple Brown Metallic



**19"** 6-Double Spoke  
Tech Matte Black Diamond Cut Alloy Wheel, 151  
(Standard T6)



**20"** 10-Spoke  
Tech Matte Black Diamond Cut  
Alloy Wheel, 226 (Optional)

### CROSS COUNTRY WITH LUXURY PACKAGE

The rugged yet elegant V90 Cross Country with Luxury Package exterior is a timeless expression of classical Scandinavian design. The exterior color palette allows you to create the V90 Cross Country that best reflects your style and preferences. The lower body parts and wheel arch extensions in full body color-coordinated

sills and bumpers add to the enhanced elegance. Available in distinctive diamond cut design, the 19" or 20" wheels connect visually with the exterior design cues to create a harmonic impression of contemporary elegance.



Comfort Seat

Inside the V90 Cross Country, you are surrounded by thoughtful luxury. There are genuine materials and fine craftsmanship wherever you look – a sensory experience further enhanced by the ergonomically designed Comfort seats in exclusive Fine Nappa. Adding to your well-being, the Comfort seats are also available in Perforated Fine Nappa with ventilation and an optional massage function. For improved support during dynamic driving, you have adjustable cushion extensions. And to make it easy to give the interior your own signature, you have an extensive range of interior color, upholstery and decor inlay combinations to choose from.



1



2



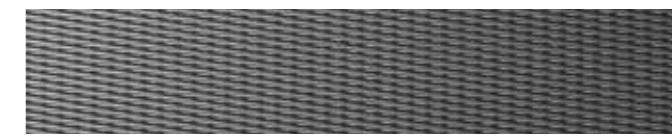
3



4



5



6

**UPHOLSTERIES** Leather with Comfort Seat **1.** Charcoal Perforated Nappa Leather in Charcoal Interior, RC00 **2.** Maroon Brown Perforated Nappa Leather in Charcoal Interior, RC30 **3.** Amber Perforated Nappa Leather in Charcoal Interior, RC20 **4.** Blond Perforated Nappa Leather in Blond/Charcoal Interior, UC00 **5.** Dark Walnut Wood (Standard) **6.** Metal Mesh Aluminum Inlays, 440 (Optional)

## YOUR VOLVO, THE WAY YOU WANT IT.

Enhance the rugged looks of the V90 Cross Country and express your individuality by choosing our exterior styling package, or select individual components as accessories for increased style and presence.

Side scuff plates in stainless steel, embossed with the Cross Country logo, match the standard front and rear sill molding.

Integrated dual split tailpipes create a more tailored look. Choose our 20" 5-Spoke Matte Black Diamond Cut or 21" 7-Open Spoke Tech Matte Black Diamond Cut Alloy Wheels, both only available for the V90 Cross Country, with their diamond cut finishes in Glossy Black (T5) or Tech Matte Black (T6).



**T6 AWD | Cross Country**  
714 Osmium Grey Metallic | 21" 7-Open Spoke Tech Matte Black Diamond Cut Alloy Wheels

**Exterior styling accessories.** Adding attitude beyond the ordinary, the powerful, large 21" 7-Open Spoke Tech Matte Black Diamond Cut Alloy Wheels design further enhance the car's rugged looks.

## GET MORE FROM LIFE.

Add to the inherent practicality of the V90 Cross Country with our range of exterior accessories, which are designed to look good and work flawlessly. Made from tough, high-quality materials, they're built to withstand.

Take advantage of our range of roof-mounted accessories by adding our low-profile load carriers. Easy to fit onto the car's roof rails, they instantly allow you to fit our load carrier accessories, from the ski rack to the canoe and kayak holder.

Our lightweight, stylish roof box fits straight onto the load carriers,

adding 12 cu ft to the carrying capacity. Its quick grip mountings allow you to fit the roof box easily and conveniently. Neat touches such as LED lighting in the lid help you load in the dark.

The bumper cover, made of stainless steel with a high gloss finish, protects the paint from damage while loading.

Your Volvo Cars dealer can also offer a wide range of winter wheels for safe driving during the wet and cold season.



1

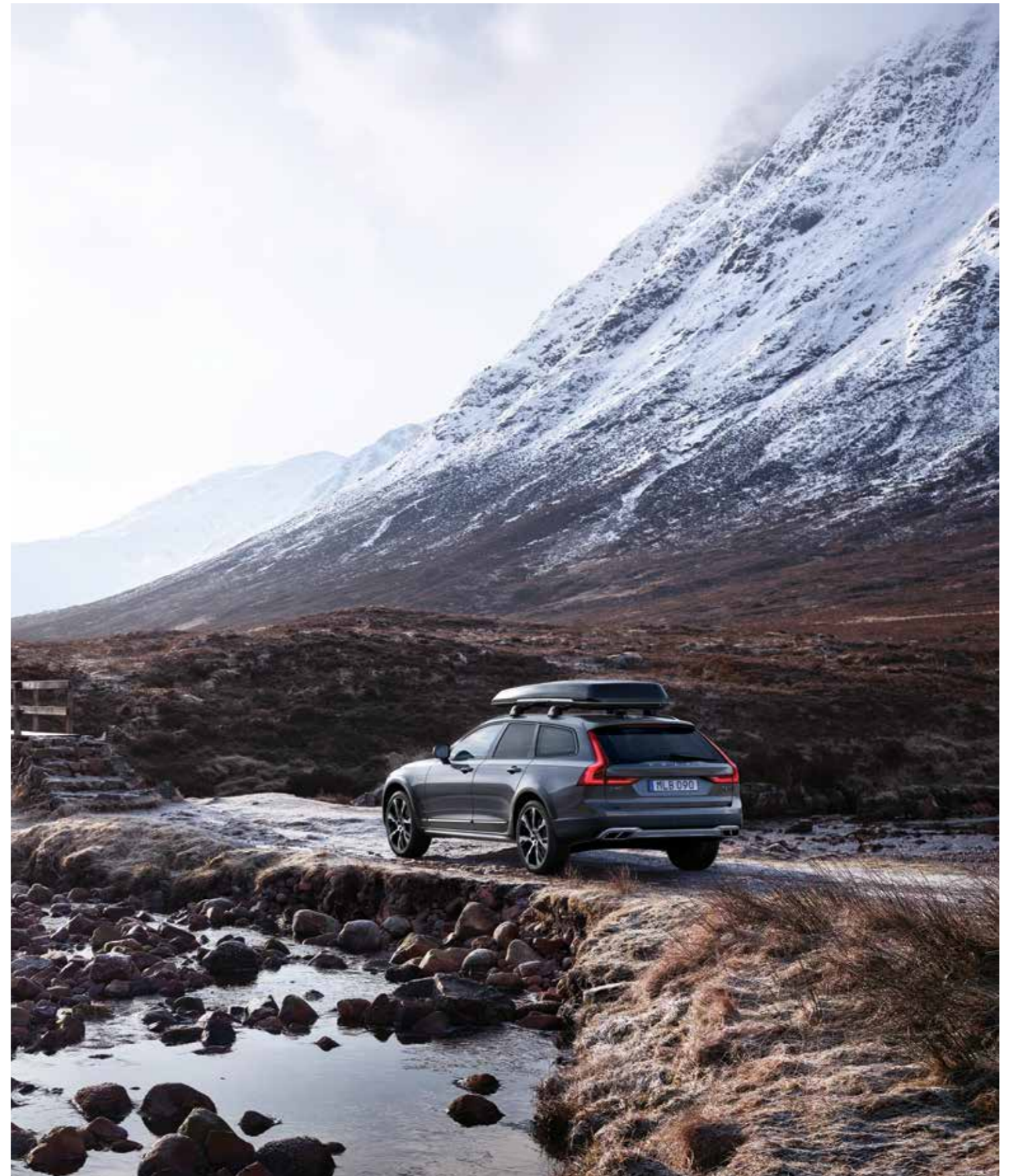


2



3

1. Roof box designed by Volvo Cars. 2. Load carriers. 3. Bumper cover.



Make your life easier with accessories that extend the built-in versatility of the V90 Cross Country and protect the car's interior.

A steel grill provides a sturdy barrier between the load and passenger compartments. The load compartment divider splits the trunk in two so you can carry a pet and luggage, and a dog gate creates a secure compartment to keep pets safe.

Keep the interior of your V90 Cross Country immaculate with our load compartment covers, including a tough plastic mat, a dirt cover that protects the entire load compartment (and folds out to protect the bumper too) and a reversible, foldable mat with fabric on one side and plastic on the other. An illuminated tailgate scuff plate covers the load sill.

The electrically folding tow bar gives you the ability to tow and folds discreetly away when not in use. A press of a button inside the load compartment, and the tow bar folds out – all you have to do is lock it into position with one click. If the tow bar is not locked in position or if any of the lights on the trailer stop working, you'll be alerted in the car's Driver Display.

A set of Volvo-designed mud flaps deflects road grime and dirt from the car's body and reduces the effects of spray on following traffic. Made from soft plastic, they are tough enough to withstand everyday use and flexible enough to bend but not break.



1



2



3



4



5



6



7



8



9

1. Illuminated load sill plate. 2. Mud flaps, front. 3. Semi-electrical foldable tow bar. 4. 20" 5-Double Spoke Tech Matt Black Diamond Cut. 5. 21" 7-Open Spoke Tech Matte Black Diamond Cut.

6. Protective steel grill. Load compartment divider. Dog gate. Load liner. 7. Load compartment mat, plastic. 8. Load compartment dirt cover, fully covering. 9. Load compartment mat, reversible and foldable.

The DVD Media Player with 7" screens allows you to enjoy movies, music and photos during your drive. The iPad® holder makes it possible to safely and ergonomically use your iPad® in the rear seat, since it is secured in a horizontal and comfortable position while also charging the tablet as well.

The Key Fob can be personalized to contrast your car's interior trim with different exterior casings.

Our new Booster Cushion and Back Rest combine comfort with state-of-the-art safety, and are designed to fit perfectly into your

Volvo. Made from Wooltextile cloth, which is 80% wool, they're durable and tough but also soft and breathable, so your children stay comfortable and safe.

Our exclusive booster cushion in genuine leather and soft Nubuck Textile with adjustable backrest allows a child to travel in comfort, safely restrained by the car's seat belt. We apply the same stringent standards to our child seats as we do to building our cars, so you know your children are well protected.



1



2



3



4

1. Child seat, booster cushion with backrest, Leather/Nubuck Textile. 2. Personalized Key Fobs. 3. Media Player. 4. iPad® holder, rear seat.

polestar

## POLESTAR ENGINEERED OPTIMIZATIONS

Polestar engineers have taken a holistic approach to form a complete software solution that takes your driving to a new level. Five key functions have been optimized to provide faster response, better balance and more intuitive driving. This results in a car that responds quickly and predictably, which is important for those who engage in active driving, whether on the racetrack or on the road. This software upgrade is available through your local Retailer upon request.

### Throttle Response

Throttle response has been recalibrated to provide improved feedback and accelerator reaction – ideal for overtaking or during active driving on a twisting road.

### Off Throttle Response

The engine and gearbox have been calibrated to provide faster responses when the driver suddenly releases the throttle, providing improved predictability and control.

### Gearshift Speed

Shift speed has been increased, allowing the car to accelerate faster and react more directly to driver input.

### Gearshift Precision and Gear Hold

Gearshift has been optimized to provide a more precise driving experience with faster acceleration. Gearshift points have been calibrated to utilize the optimized mid-range engine performance, while the gear hold function maintains the same gear when cornering with high lateral g-force.

### Engine Performance

All Drive-E optimizations are made to provide greater performance in the engine's mid-range powerband – perfect for the sporty driver when overtaking, joining a highway or exiting a corner.





## SENSUS

### SENSUS OPTIONS.

Sensus Connect comes with a host of features as standard: there's voice control, our High Performance audio system, an eye-catching 9" Sensus Touchscreen and our 8" Digital Driver Display. And if you'd like to enhance your experience, there's a wealth of options. For example, you can access selected apps and functions in your smartphone via the center display using Smartphone Integration.

Then, there's Sensus Navigation and the head-up display: together, they make navigating easy and intuitive. And Volvo On Call not only includes a WiFi hotspot and a SIM-card slot, so you can go online via the car's roof aerial – it also lets you interact with your car using a smartphone app, while giving you direct access to emergency support.

### SENSUS CONNECT WITH HIGH PERFORMANCE AUDIO SYSTEM

Includes the following standard features:

- 8" Digital Driver Display (T5), 12.3" Digital Driver Display (T6 and T8)
- 9" Sensus Touchscreen
- Bluetooth® audio streaming
- USB Inputs
- Voice control
- Steering wheel controls
- Tethering via WiFi or Bluetooth®
- High Performance audio system (330W, 10 speakers)
- Internet radio via apps
- Volvo On Call with Engine Remote Start 4-Year Complimentary Subscription

In addition, a digital owner's manual and connected service booking are included.

The following apps will be standard:

(Trial period of 6 months or 3 GB data limit included)

- Pandora
- Spotify
- TuneIn (Internet Radio)
- Park & Pay
- Local Search (powered by Google now)
- Yelp
- Weather
- Glympse
- Record & Send
- Volvo ID (Send To Car)
- WikiLocations

For more information, please contact your Volvo Cars dealer.

### SENSUS CONNECT OPTIONS

In addition, the following options are available:

- 12.3" Digital Driver Display (T5)
- Head-up display

For more information please see: [www.apple.com/ios/carplay/](http://www.apple.com/ios/carplay/) or [www.android.com/auto/](http://www.android.com/auto/)

Apple CarPlay and CarPlay are trademarks of Apple Inc. Android Auto is a trademark of Google Inc.

### BOWERS & WILKINS

Our top-of-the-line audio system, developed exclusively for your V90 Cross Country together with the renowned high-end audio manufacturer Bowers & Wilkins:

- 12-channel 1400 W Class D amplifier
- 19 Bowers & Wilkins speakers, including a subwoofer
- Quantum Logic Surround sound system

- Dirac Dimensions room transformation technology with three room modes: Concert, Studio and Stage
- Dirac Live sound enhancement technology
- Stainless steel tweeter panels

## INTELLISAFE

### INTELLISAFE OPTIONS.

Your Volvo V90 Cross Country comes with comprehensive IntelliSafe technologies as standard, including all the safety you'd expect from a Volvo and more. You'll also get City Safety, which encompasses technologies designed to help avoid collisions with other vehicles, pedestrians, cyclists and large animals. City Safety can also autobrake if you're about to turn into the path of an oncoming car in an intersection, while Oncoming Lane Mitigation helps you avoid collisions with oncoming vehicles by providing

automatic steering assistance. Also included is IntelliSafe Assist that supports your driving with semi-autonomous driving technologies such as Adaptive Cruise Control and Pilot Assist.

Add IntelliSafe Surround, and you'll get the benefit of technology that alerts you to vehicles approaching in your blind spot or from behind and can provide additional steer assist if needed, for your safety and confidence.

### INTELLISAFE STANDARD

Includes:

- Pilot Assist – Semi-Autonomous Drive System with Adaptive Cruise Control
- Blind Spot Information System (BLIS) with Steer Assist & Cross Traffic Alert
- Electronic Stability Control
- Rear Collision Warning with braking at standstill
- Driver Alert Control
- Road Sign Information
- Lane Keeping Aid
- Automatic braking after a collision
- City Safety™ (Vehicle detection, Pedestrian and cyclist detection, Autobrake at intersection, Large animal detection)
- Safety cage
- Seat belts with reminders and pretensioners for all seats
- Front, Side & Curtain Airbags; Driver Side Knee Airbag
- Brake pedal release
- WHIPS™ – Whiplash Injury Protection System
- Run-off Road Mitigation
- Run-off Road Protection
- SIPS™ – Side Impact Protection System
- Oncoming Lane Mitigation

### INTELLISAFE OPTIONS

Single Options – Driver Assistance, Convenience and Child Safety Features – that Can Be Added to All IntelliSafe Offers:

- 360° Surround View Camera
- Park Assist Pilot & Front Park Assist
- Integrated Child Seat, outer positions

# V90 CROSS COUNTRY STANDARD FEATURES

STANDARD FEATURES	T5 AWD	T6 AWD
<b>Value:</b>		
Complimentary Factory Scheduled Maintenance for 3 years, 36,000 miles. 4 years, 50,000 miles New Car Warranty.	●	●
<b>Safety</b>		
Volvo On Call includes: Convenience features – Remote Lock/Unlock, Engine Remote Start, Send to Car, Vehicle Tracking with 4-year Complimentary Subscription	●	●
Pilot Assist – Semi-Autonomous Drive System with Adaptive Cruise Control	●	●
Blind Spot Information System (BLIS) & Cross Traffic Alert	●	●
Run-off Road Protection and Run-off Road Mitigation	●	●
Lane Keeping Aid	●	●
Driver Alert Control	●	●
Road Sign Information	●	●
Automatic Braking After Collision	●	●
City Safety with Steering Support: Low and High Speed Collision Mitigation, Pedestrian, Cyclist and Large Animal Detection	●	●
Front, Side & Curtain Airbags with Driver Side Knee Airbag	●	●
Whiplash Protection, Front Seats	●	●
Electronic Stability Control	●	●
<b>Exterior</b>		
Laminated Panoramic Moonroof with Power Sunshade	●	●
LED Headlights with Thor's Hammer DRL & Auto Highbeam (AHB)	●	
Active Bending Lights (ABL), added to standard LED Headlights w/ Thor's Hammer DRL & Auto Highbeam (AHB)		●
Headlight High-Pressure Cleaning	○	●
LED Fog Lamps with Corner Illumination	●	●
LED Taillights with Side Marker Lights	●	●
18" 5-Double Spoke Silver Alloy Wheels	●	
19" 6-Double Spoke Tech Matte Black Diamond Cut Alloy Wheels		●
Retractable Side View Mirrors	●	●
Rain Sensing Windshield Wipers	●	●
Front Grill, High-Gloss Black Bars, inserts in Matte Black with Glossy Chrome Frame	●	●
Lower Skid Plate in Silver	●	●
Tinted Windows, Rear & Cargo	●	●
Glossy Black Window Surround	●	●
Dual Integrated Tailpipes	●	●
<b>Interior</b>		
Leather Upholstery with Comfort Seats	●	●
Heated Front Seats	○	●

STANDARD FEATURES	T5 AWD	T6 AWD
10-way, Power Front Seats incl. Power Lumbar and Driver Seat Memory	●	●
Sensus Navigation	●	●
Volvo Sensus Connect with 9" Touchscreen	●	●
8" Driver Display (Digital Instrument Cluster)	●	
12.3" Driver Display (Digital Instrument Cluster)		●
High Performance Audio with 10 speakers, 330W, 1 USB, & AUX input	●	●
SiriusXM™ Satellite Radio with 6-Month Subscription	●	●
Smartphone Integration (Apple CarPlay & Android Auto)	●	●
Rear Seat USB Hub	●	●
Voice Control	●	●
Leather Steering Wheel	●	●
Dark Walnut Wood Inlays	●	●
Volvo Aluminum Sill Plates	●	●
Auto Dimming Interior Mirror	●	●
Clean Zone Air Quality System	●	●
2-Zone Climate Control	●	●
<b>Luxury &amp; Convenience</b>		
Keyless Entry & Drive	●	●
Adjustable Drive-Mode Settings	●	●
Bluetooth Connectivity with Audio Streaming	●	●
Rear Park Assist & Rear Park Assist Camera	●	●
Hands-Free, Power-Operated Tailgate	●	●
Hill Start Assist	●	●
Split Folding Backrest with Load Through Hatch	●	●
Power-Folding Rear Head Restraints (outer positions)	●	●
Tempa Spare Wheel (including jack kit)	●	●
Aluminum Cargo Opening Scuff Plate	●	●

# V90 CROSS COUNTRY SINGLE OPTIONS

SINGLE OPTIONS	T5/T5 AWD	T6 AWD
Metallic Paint	○	○
Heated Front Seats & Steering Wheel	○	
Graphical Head-Up Display (HUD)	○	○
Charcoal Headliner (RA00, RC00, RC30 Only)	○	○
Integrated 2 Step Booster Cushions (N/A with Luxury Package)	○	○
Iron Ore Aluminum Inlays (T5 Only)	○	
Metal Mesh Aluminum Inlays (T6 Only)		○
Bowers & Wilkins Premium Sound	○	○
Premium Air Suspension in Rear with FOUR-C Active Chassis (T6 Only)		○
19" 5-Double Spoke Diamond Cut Alloy Wheels (T5 Only)	○	
20" 10-Spoke Tech Matte Black Diamond Cut Alloy Wheels (T6 Only)		○

● = Standard ○ = Optional Blank = Not available



The Bluetooth word mark and logos are owned by the Bluetooth SIG, Inc. and any use of such marks by Volvo Car Corporation is under license. Other trademarks and trade names are those of their respective owners.

# V90 CROSS COUNTRY OPTIONAL PACKAGES:

PLUS PACKAGE	
<ul style="list-style-type: none"> <li>4-Zone Electric Climate Control and Cooled Glovebox (T5 &amp; T6 Only)</li> <li>12.3" Driver Display (Digital Instrument Cluster) (T5 Only)</li> <li>Headlight High Pressure Cleaning</li> </ul>	<ul style="list-style-type: none"> <li>Active Bending Lights (ABL), added to standard LED Headlights w/ Thor's Hammer DRL &amp; Auto Highbeam (AHB)</li> </ul>

CONVENIENCE PACKAGE	
<ul style="list-style-type: none"> <li>Heated Washer Nozzles</li> <li>360° Surround View Camera</li> <li>Grocery Bag Holder</li> <li>Homelink™</li> </ul>	<ul style="list-style-type: none"> <li>Compass in Inner Rear View Mirror</li> <li>Park Assist Pilot and Park Assist Front (Rear std)</li> <li>High-Level Interior Illumination</li> </ul>

LUXURY PACKAGE (Inscription Only - Non-Folding Rear Seat)	
<ul style="list-style-type: none"> <li>Comfort Seats - Ventilated Nappa Soft Leather Upholstery</li> <li>4-Zone Electronic Climate Control &amp; Cooled Glove Box</li> <li>Power-Operated Load Cover</li> <li>Rear Sun Curtains, Rear Side Doors</li> <li>Backrest Massage, Front Seats</li> </ul>	<ul style="list-style-type: none"> <li>Fully Color Coordinated Sills &amp; Bumpers</li> <li>Heated Rear Seats, Outer Positions</li> <li>Power Cushion Extensions, Front Seats</li> <li>Tailored Dashboard and Upper Door Panels</li> </ul>

## VOLVO OVERSEAS DELIVERY

### THE EXPERIENCE BEGINS IN SWEDEN

**Volvo Overseas Delivery** is a unique program that gives you an exciting opportunity to pick up your new Volvo from our state-of-the-art factory in Gothenburg, Sweden. But that's just the beginning.

#### THE TRIP INCLUDES:

- A savings off of the US base MSRP, which varies by Model
- Opportunity to personalize your new Volvo\*
- Complete travel packages for Sweden and/or Europe via our travel concierge, who can help you personalize your adventure
- Two round-trip plane tickets to Gothenburg, Sweden via SAS/Plus economy seating (including private transport upon arrival)
- One overnight stay at a first-class hotel (including dinner at a Michelin-starred restaurant)
- Premium delivery at Factory Delivery Center (including private transport and lunch)
- Guided tour of the Volvo factory
- A visit to the Volvo Museum and/or the Volvo Cars Brand Experience Center
- European car insurance (including Volvo Roadside Assistance and Global warranty coverage) for two weeks\*\*
- Home shipment of your new Volvo



**T6 AWD | V90 Cross Country**  
714 Osmium Grey Metallic | 20" 10-Spoke Tech Matte  
Black Diamond Cut Alloy Wheels, 226



**V90 Cross Country**  
Interior | Charcoal in Charcoal Interior (European Spec Shown) |  
Iron Ore Aluminum Inlay, 437

Your adventure begins in Volvo's hometown of Gothenburg, located on Sweden's scenic west coast. Here, you will pick up your new Volvo in person as it rolls out of the factory gate. You will then have the chance to explore the world of Volvo, where you will learn all about the unique culture that inspired the elements of your car.

**Please note:** Changes in the order of your day's schedule may occur.

If you would like to know more about Overseas Delivery, contact your local Volvo Cars Retailer, the Customer Care Center at (800) 631-1667, or visit <http://volvocars.com/us/osd>

\* Personalization is based on market requirements and specifications. All options / packages and accessories must be US Market-specific.

\*\* Global Warranty coverage remains in effect until your vehicle returns to the states and is registered with Volvo US.

**T6 AWD | V90 R-Design**  
720 Bursting Blue Metallic | 19" 5-Double Spoke Glossy  
Black Diamond Cut Alloy Wheels, 224



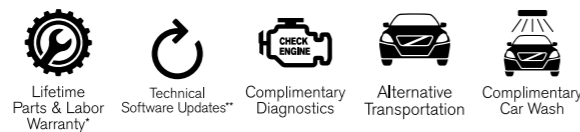
## Service By Volvo

Taking care of you and your Volvo is our top priority. With a unique approach to service that's personal, professional and efficient, we get you everything you need in the simplest way possible. To make your life less complicated.

Knowing your vehicle is always up to our highest standards for as long as you own it – that's the driving force behind Service by Volvo. To help you get the most out of your Volvo, we'll ensure each service or maintenance provides peak conditioning through our expertly trained technicians, field-tested repair methods, and precision-engineered genuine parts. That's because we focus on our promises to service your car and simplify your life.

### OUR SERVICE BY VOLVO PROMISES

When you have your car serviced at an authorized Volvo dealer, we promise to provide you with a premium ownership experience for the life of your vehicle. Enjoy our Lifetime Parts and Labor Warranty,\* so you pay only once, knowing your car is always up to our highest standards. Technical software updates\*\* and more. No sign-up required.



\* Excludes consumable parts due to normal wear. See dealer for details. Non-transferable.

\*\* New software required as part of a repair or accessory installation is not included.

# The most carefree way to own a car. EVER.

## LEASING OPTIONS

### FLEXIBLE TERMS

Leasing is available for terms as short as 24 months or up to 48 months. You can drive a new Volvo car every few years while within the manufacturer warranty and maintenance plans, and without the burden of negotiating trade-in values.

### CHOICE OF MILEAGE PLANS

The standard mileage option allows up to 15,000 miles per year; however, several other mileage plans are available to tailor to your commuting needs. Under the low mileage plan options are available as low as 7,500 miles per year, and we also offer a high mileage plan with options as high as 30,000 miles per year.

### SINGLE PAYMENT LEASE

A single payment lease provides convenience and savings. You make only one payment, one time, freeing you from monthly payments. It permits you to prepay all monthly payments in a single payment at lease signing. This single total lease payment is less than the amount you would pay over the term of a conventional lease.

### MULTIPLE SECURITY DEPOSIT LEASE\*

A multiple security deposit lease allows you to place a lump sum refundable security deposit at lease inception, which reduces your monthly rent charge, resulting in substantial savings over the term of the lease. The additional security deposits are refunded to you at the end of the lease term. \* Multiple Security Deposit Lease is not available in NY.

### BUSINESS LEASE

Under our business lease option, owners have the flexibility to lease the vehicle as the business.

### GUARANTEED AUTO PROTECTION (GAP) WAIVER

Our GAP Waiver is included in your lease agreement at no additional cost to you. It is provided to give you peace of mind. If your leased Volvo car is declared a total loss due to theft, accident, or natural disaster, we will cover the difference between the insurance proceeds and the balance owed to Volvo Car Financial Services less any deductible.

### EXCESS WEAR AND USE PROTECTION PLAN \*\*

As a part of everyday driving, normal wear and use can be expected. However, when turning in your leased vehicle, you may be responsible for any excess wear and use damage; therefore, Volvo Car Financial Services offers an optional plan to protect you and your car from unexpected occurrences that happen from nature and chance.

\*\* Excess Wear and Use Protection Plan is optional and not available in AK, NM, NY, TX, UT and VT.

## SPECIAL PROGRAMS

### COLLEGE GRADUATE PROGRAM

You've worked hard to earn your degree. Now the Volvo Graduate Program can make it easy for you to drive a Volvo car. With flexible and competitive financing options available for graduates, Volvo Car Financial Services can help you to step into the luxury of driving a Volvo car with only a 5% down payment upon credit approval.

### INTERNATIONAL STUDENT PROGRAM

The International Student Program is the easiest way to acquire a vehicle while studying in the US, only from Volvo. Instead of purchasing a car outright, make one easy, upfront payment and drive a brand new Volvo during your school term. After graduation, drop the car off at your local Volvo retailer. No hassles. You'll only pay for the portion of the car you use. It's as simple as that. Visit [www.volvocarsforstudents.com](http://www.volvocarsforstudents.com) for program details.

### VOLVO MOBILITY PROGRAM

The goal of the Volvo Mobility Program is to assist persons with physical disabilities or hearing impairment. For those with exceptional transportation needs, this can be facilitated within the extraordinary comfort and safety of a specially adapted Volvo car. For additional information on this program, please contact **Mobility by Volvo Customer Care at 1-800-550-5658**.

### PERSONAL SHOPPER

The Volvo Personal Shopper is dedicated to providing you with a whole new level of shopping convenience. Whether you'd like help identifying the Volvo model that best fits your lifestyle, detailed information on any Volvo model, or a comparison against the competition, Volvo is there to help. We can arrange a Guest Drive for you at your nearest Volvo Retailer. So make the most of your shopping time and call the **Volvo Personal Shopper at 1-800-550-5658**.

## SERVICE AND WARRANTY

### VOLVO ROADSIDE ASSISTANCE

Whenever you need us, we're just a phone call away. Our nationwide network of retailers and authorized service providers are ready to assist. Whether you require roadside assistance or maps and routing information for your next trip, refer to your Volvo Roadside Assistance card and dial **1-800-63-VOLVO** at any time. Your complimentary four-year membership activates the moment you become a Volvo owner. A connection to Volvo Roadside Assistance/US is available through your App Store.

## VOLVO NEW CAR WARRANTY

Your new-car warranty provides comprehensive coverage for four years or 50,000 miles, whichever occurs first. Additional warranties cover corrosion, seat belts, the supplemental restraint system, hybrid components, emission systems, genuine Volvo car replacement parts and genuine Volvo accessories. Should you encounter any problem with your Volvo car, simply contact the nearest retailer for assistance. Where your warranty ends, Volvo Increased Protection (VIP) plans begin. To purchase the additional protection of a VIP plan, contact your local retailer.

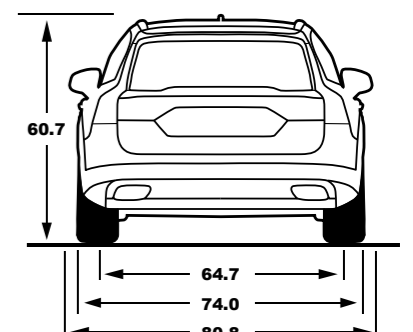
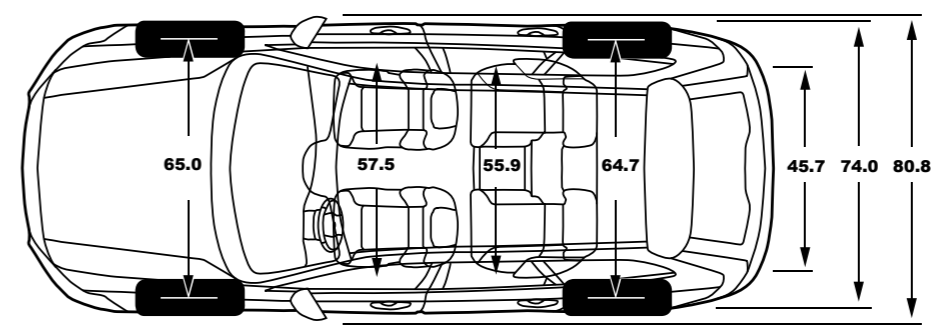
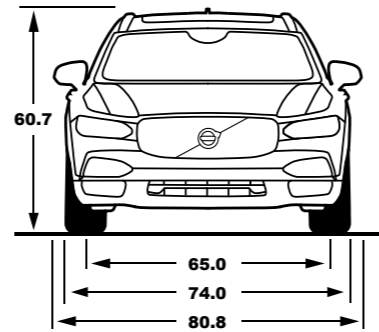
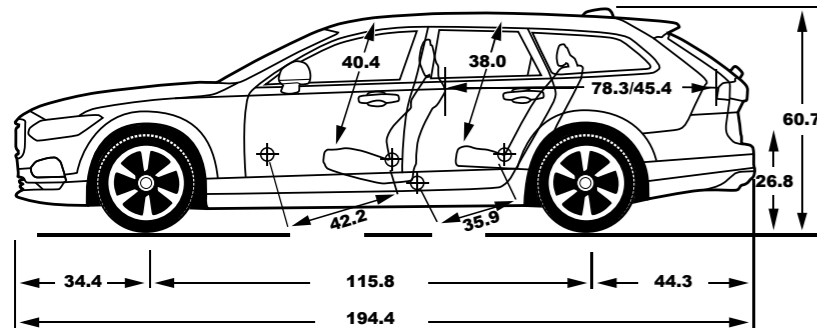
## COMPLIMENTARY FACTORY SCHEDULED MAINTENANCE

Volvo Cars is committed to a premium ownership experience for its customers. To further enhance your ownership experience, all 2018 model year Volvo Cars sold in the United States will include Complimentary Factory Scheduled Maintenance. This program provides scheduled maintenance coverage for the first three years or 36,000 miles, whichever occurs first, and is designed to complement your Volvo warranty, helping ensure trouble-free operation of your Volvo. Coverage includes factory-recommended maintenance including oil and filter changes, checks and adjustments as listed in your Warranty and Maintenance Records Information booklet, for the first three maintenance services at intervals of 10,000, 20,000 and 30,000 miles.

Each service must be performed within 1,500 miles before or after each scheduled interval. Coverage is limited to scheduled maintenance items listed in the 2018 model year Warranty and Maintenance Records Information booklet. An authorized retailer must perform maintenance. Offer is transferable. Optional Prepaid Maintenance Plan upgrades are also available that will allow you to customize coverage to meet your driving needs. See your Volvo retailer for details.

## FINANCE OPTIONS

Volvo Car Financial Services (VCFS) offers affordable and competitive financing on new and Volvo Certified Pre-Owned cars. Our low rates and flexible terms can get you behind the wheel of the Volvo you want to drive with finance terms up to 75 months. Volvo Car Financial Services also offers financing on vehicles purchased under the Overseas Delivery Program.



**Vehicle Specification:**

T5 AWD

Engine:	2.0L, Inline 4-cylinder, Turbocharged
Horsepower at rpm:	250 hp @ 5,500 rpm
Acceleration 0-60mph:	7.1
Top Speed mph:	130
Max Torque lb-ft at rpm:	258 lb-ft @ 1,500-4,800 rpm
Transmission:	8 - Speed Automatic Geartronic
Fuel Economy, Highway/City/Combined:	23 / 31 / 26
Fuel Tank Capacity:	15.9 gallons
Cargo Space, Max (cu ft):	53.9
Towing Capacity (lbs):	3,500
Exterior Length/Width/Height (inches):	194.4 / 80.8 / 60.7
Interior Headroom w. Panoramic Moonroof (Front/Rear):	37.8 / 37.7
Interior Legroom (Front/Rear):	42.2 / 35.9
Seating Capacity:	5

**Vehicle Specification:**

T6 AWD

Engine:	2.0L Inline 4-cylinder, Supercharged & Turbocharged
Horsepower at rpm:	316 hp @ 5,700 rpm
Acceleration 0-60mph:	6.0
Top Speed mph:	130
Max Torque lb-ft at rpm:	295 lb-ft @ 2,200 - 5,400 rpm
Transmission:	8 - Speed Automatic Geartronic
Fuel Economy, Highway/City/Combined:	22 / 29 / 25
Fuel Tank Capacity:	15.9 gallons
Cargo Space, Max (cu ft):	53.9
Towing Capacity (lbs):	3,500
Exterior Length/Width/Height (inches):	194.4 / 80.8 / 60.7
Interior Headroom w. Panoramic Moonroof (Front/Rear):	37.8 / 37.7
Interior Legroom (Front/Rear):	42.2 / 35.9
Seating Capacity:	5

**V O L V O**

**MODEL YEAR 2018 | VOLVOCARS.US**

Specifications, features, and equipment shown in this catalog are based upon the latest information available at the time of publication. Some models shown with European specifications. Volvo Car USA, LLC reserves the right to make changes at any time, without notice, to colors, specifications, accessories, materials, and models. For additional information, please contact your authorized Volvo Cars retailer. © 2017 Volvo Car USA, LLC. Printed in USA. **MY18**