

PRICE
LIST of
PARTS



Model T



According to the Number Plate on the dash of your Model T Car you agree at the time of purchase to register your name, address, date of purchase and car number with the Ford Motor Company as the owner of a Ford Model T Car, in order to be protected under the warranty of the manufacturer; therefore if you have not already sent in your name as a Ford owner please fill in the other side of this page and mail it to the

Ford Motor Company

OF CANADA, LIMITED.

FORD, ONTARIO

Price List of Parts

FORD MODEL T 1909-1910-1911-1912-1913-1914

Prices in effect May 1, 1914

Subject to change without notice

Ford Motor Company
OF CANADA, LIMITED.

Factory and General Offices—Ford, Ont.

Canadian Branches

Calgary, Alta.—127 11th Ave., East
Hamilton, Ont.—74-78 John St., N.
London, Ont.—291 Dundas St.

Montreal, Que.—873 St. Catharine St. West.
St. John, N. B.—Rothesay Ave.
Saskatoon, Sask.—First Ave. and 25th St.

Toronto, Ont.—106 Richmond St.
Vancouver, B. C.—1531 15th Ave., W.
Winnipeg, Man.—81 Water St.

Foreign Branch—Melbourne, Australia—103 William Street.
Export Department—1136-7 Whitehall Bldg., 17 Battery Pl. New York.

American Factory and General Offices, Detroit, Mich.

American Branches

Atlanta—311 Peachtree St.
Boston—650 Beacon St.
Buffalo—1050 Main St.
Cambridge—195 Massachusetts Ave.
Chicago—1444 Michigan Ave.
Cincinnati—011 Race St.
Cleveland—4400 Euclid Ave.
Columbus—207 N. Fourth St.
Dallas—1915 Commerce St.
Denver—1552 Broadway

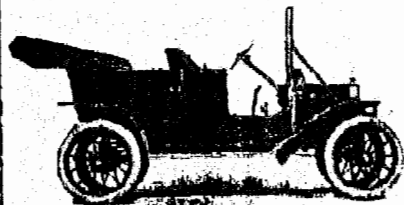
Detroit—1550 Woodward Ave.
Fargo—209 North Pacific Ave.
Houston—800 Walker Ave.
Indianapolis—526 N. Capitol Ave.
Kansas City—1608 Grand Ave.
Long Island City—Jackson Ave. and
Honeywell St.
Los Angeles—Olive and Twelfth Sts.
Louisville—931 S. Third St.
Memphis—444 Monroe Ave.
Minneapolis—616 Third St. South

New York—1723 Broadway
Oklahoma City—115 W. 2nd St.
Omaha—1916 Harney St.
Philadelphia—237 N. Broad St.
Pittsburgh—5925 Baum St.
Portland, Oregon—61 Union Ave.
St. Louis—3067 Olive St.
St. Paul—208 W. 5th St.
San Francisco—100 Van Ness Ave.
Seattle—532 Nineteenth Ave., N.

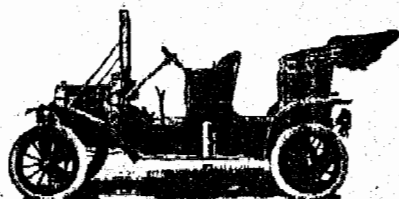
Assembling Plants—Buffalo, Cambridge, Chicago, Columbus, Dallas, Denver, Houston, Kansas City, Long Island City, Los Angeles, Memphis, Minneapolis, Philadelphia, Pittsburg, Portland, Ore., San Francisco, Seattle, St Louis
Foreign Branches—Buenos Aires, Argentina—Hamburg, Germany—Manchester, England, London, England—Paris, France

Large Distributors and Dealers in All Other Principal Cities

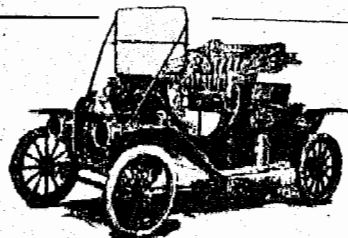
Second Edition
May, 1914



1909-10 Touring Car



1909 Surrey (or Tourabout)



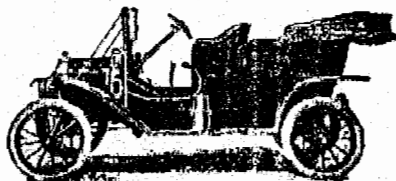
1908-10 Commercial Roadster



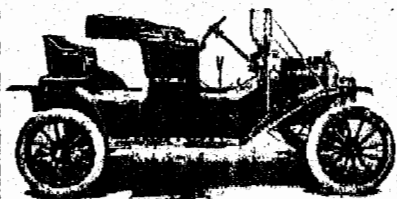
1909-10 Coupe



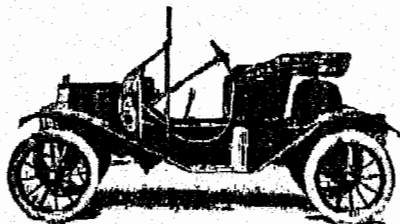
1909-10-11-12 Town Car



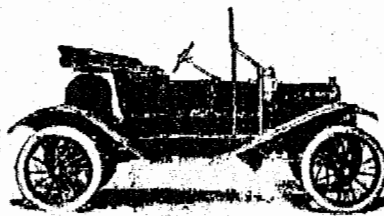
1911 Touring Car



1911-12 Commercial Roadster

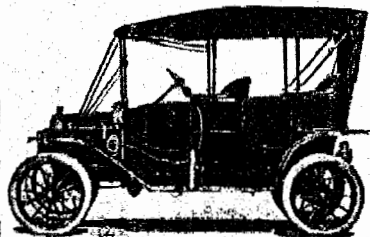


1911 Open Runabout (Low Seat)

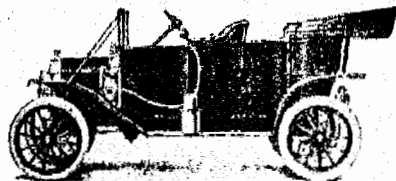


1911 Fore Door Runabout (Low Seat)

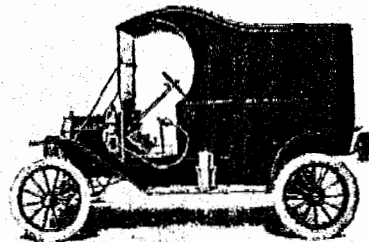
The above illustrations show the year of manufacture and the body types of Model "T" cars manufactured in 1909 - 1910 and 1911



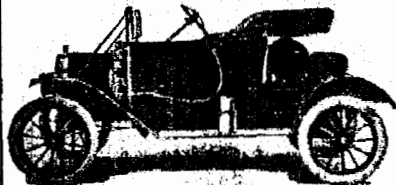
1912 Touring Car (Old Style Fore-Doors)



1912 Touring Car (New Style Fore-Doors)



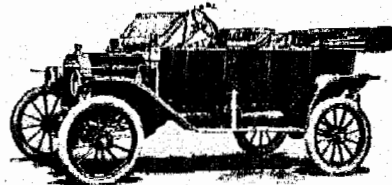
1912 Delivery Car



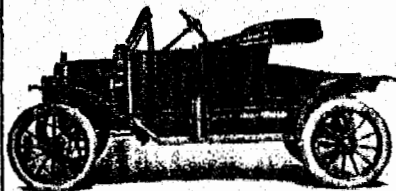
1912 Torpedo Runabout



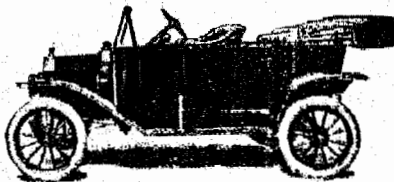
1913-14 Town Car



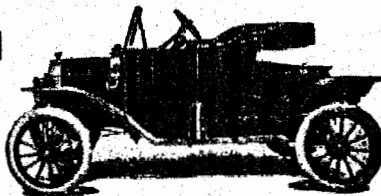
1913 Touring Car



1913 Torpedo Runabout



1914 Touring Car



1914 Torpedo Runabout

The above illustrations show the year of manufacture and the body types of Model "T" cars manufactured in 1912-1913 and 1914

Instructions for Ordering Parts

Please read these over carefully to avoid mistakes

- 1—Order all parts through the nearest Ford Branch or Ford Dealer in your vicinity, as parts for the Ford Model T car are carried in stock by them.
- 2—Always specify **Model** and **give Car Number** of your car. If you are in doubt as to the model, year of manufacture, or body type of your car, consult the illustrations on the two preceding pages. Give **Number** and **Name** of each part ordered.
- 3—**Cash should accompany all orders.** If it is desired to have parts shipped C. O. D., a deposit sufficient to cover transportation charges both ways must be remitted with the order.
- 4—Mail orders and Parcel Post orders must be accompanied by an amount sufficient to cover **Postage.** Weights are shown opposite all principal items.
- 5—All prices are net l. o. b. Ford, Ont.
- 6—Specify whether shipments are to be forwarded by mail, parcel post, express, freight, or with carload of machines.
- 7—Orders for parts should be written separately from correspondence pertaining to other matters, as this will insure prompt handling by the Service Department at the factory.

IMPORTANT

In ordering parts which are used on both sides of the car, such as fenders, front wheel cones, etc., and where any doubt exists as to whether parts for opposite sides of the car are alike, be sure to specify whether the parts ordered are for the right or left side of the car.

The right side of the car is the side on your right when seated in the car facing forward. (The valves, carburetor, etc. are located on the right side).

Spark plugs, accessories and tires are not listed in this Price List, as such items can be obtained from the ordinary garage or supply house, at prices at least as low as ours would be.

Parts marked "for Left Control Cars" can only be used on cars controlled from the left side; parts marked "for Right Control Cars," can only be used on cars controlled from the right side. All other parts are standard for both right and left control cars.

Illustrations show left control parts only.

Parcel Post Shipments

The cost of shipping small packages by Parcel Post is considerably less than the cost of shipping by Express, so we recommend the use of the Parcel Post to all of our customers requiring small shipments of parts.

Parts should be ordered from the nearest Ford dealer as every dealer carries a stock of Model T parts. In case you order any parts direct from any of our Branches or from the factory, however, please observe the following rules, etc., applying particularly to Parcel Post shipments:--

1. Our terms are strictly cash, so orders for Parcel Post shipments should be accompanied by an amount sufficient to cover the cost of the parts required **plus postage**. If an insufficient amount is sent with the order we will be obliged to defer shipment until the proper amount is received, or else ship by express C. O. D.

2. We will not insure Parcel Post shipments unless specially requested to do so by the customer, in which case the additional fee required for insurance must be remitted with the order. Parcels will be insured against damage or loss up to a value of \$25.00 on prepayment of an additional five cents (\$0.05) and up to a value of \$50.00 on prepayment of an additional ten cents (\$0.10).

3. Shipments on which the postage is not fully prepaid will be delivered by the Postal authorities only on payment of double the deficiency.

4. The third class mail rate covering books and circulars, and the fourth class mail rate covering merchandise, remain in force. We will in all cases ship goods by the cheapest route.

5. Any difference between the amount remitted to cover postage and the actual cost of postage, if in the customer's favor; will be held to his credit and refunded on request.

6. This Parts Price List shows the weights of all the principal parts of the car. With this information and the rates given below, the customer can estimate closely the cost of

shipping small parts by Parcel Post. Sufficient allowance should be made for packing as the weights shown in our Parts Price List are the actual weights of the parts only.

The following rates govern Parcel Post shipments from Ford Branches to points within the same Province as the point of shipment:—

SHIPMENT ADDRESSED TO	1-lb.	2-lbs.	3-lbs.	4-lbs.	5-lbs.	6-lbs.	7-lbs.	8-lbs.	9-lbs.	10-lbs.	11-lbs.
Any post office within 20 miles including place of mailing	\$.05	.06	.07	.08	.10	.12	.14	.16	.18	.20	.22
Any post office beyond 20 miles but within the Province	.10	.14	.18	.22	.26	.30	.34	.38	.42	.46	.50

The three Maritime Provinces (Nova Scotia, New Brunswick and Prince Edward Island) are considered as one Provincial Zone. There is at least one Branch of the Ford Motor Company of Canada, Limited, in every Province or Provincial Zone in Canada. Customers will find it less expensive to secure parts from the Branch in the same Province than from the factory.

The following rates govern Parcel Post shipments from the Ford Factory to points in the different Provinces:

SHIPMENT ADDRESSED TO	1-lb.	2-lbs.	3-lbs.	4-lbs.	5-lbs.	6-lbs.	7-lbs.	8-lbs.	9-lbs.	10-lbs.	11-lbs.
Any post office within 20 miles including place of mailing	\$.05	.06	.07	.08	.10	.12	.14	.16	.18	.20	.22
Any post office beyond 20 miles but within the Province of Ontario	.10	.14	.18	.22	.26	.30	.34	.38	.42	.46	.50
Any post office in Quebec or Manitoba	.10	.16	.22	.28	.34	.40	.46	.52	.58	.64	.70
Any post office in Saskatchewan or Maritime Provinces	.12	.20	.28	.36	.44	.52	.60	.68	.76	.84	.92
Any post office in Alberta	.12	.24	.34	.44	.54	.64	.74	.84	.94	1.04	1.14
Any post office in British Columbia	.12	.24	.36	.48	.60	.72	.84	.96	1.08	1.20	1.32

Abbreviations

The following list explains the abbreviations used in this Price List:

Parts		Specifications
Diff.....Differential	Rev.....Reverse	L. H.....Left hand
D. S.....Drive shaft	S. S.....Slow speed	C. to C....Center to Center
Con.....Connecting (rod)	Assem....Assembly	Imp.....Imperial (gallons)
Cyl.....Cylinder	Runb't...Runabout	Hex.....Hexagon
C. S.....Crank shaft	Plat.....Platinum (point)	Sq.....Square
Com.....Commutator	Run.....Running (board)	
Trans...Transmission		
		L.....Left
		Thds....Threads
		Dia.....Diameter
		O. D....Outside diameter
		R. T....Right Thread
		L. T....Left Thread
		R. H....Right hand

Telegraph Code

To save expense, to expedite ordering and for the convenience of those purchasing parts, we have arranged a code word for each part of the Ford Model T car. In addition to the Parts Code we list below a brief General Code covering miscellaneous instructions, questions and answers relative to the entering and shipping of parts orders.

In telegraphing an order for parts start with the code telling us how to ship, then use the word for the part wanted, stating the number required and then give the number of your car.

The following will illustrate how to send in an express order for Eight Push Rods No. 3058, and Three Transmission Band Springs No. 3425:

FORD MOTOR COMPANY OF CANADA, LIMITED, FORD, ONT.

Topcrg eight Carat Three Dispark for car No. C-2841.

Signed.....

Toperig—Ship to me (us) by express.

Toperkleur—Ship by express to——

Toperal—Ship to me (us) by Canadian Express.

Toperpool—Ship to me (us) by Dominion Express

Topermolen—Ship to me (us) by American Express.

Toperoker—Ship to me (us) by U. S. Express.

Topersteen—Ship to me (us) by freight.

Toper—Ship to me (us) by mail.

Toperbock—Ship to me (us) by Parcel Post.

Topfton—When and how did you ship parts called for in my (our) telegram of——

Topflutch—When and how will you ship parts called for in my (our) telegram of——

Topfwasser—When and how will you ship parts called for in my (our) letter of——

Topfgeld—Cancel order for parts my (our) telegram of——

Topfgicht—Cancel order for parts my (our) letter of——

Topfkiemer—Add to my (our) telegraph order of——

Part No.	Name of Part	Year	Specifications	Price	Code Word	Fac. No.	No. Req. Per Car	P'k'd In Lots of	Weight Lb. Oz.
REAR AXLE									
2500	Rear axle assembly	1909-14	Includes D.S. assembly and radius rods.	\$60 00	Aband	95E	1		130
*2501	Axle housing—right	1909-12	26" L., dia. of bell 10 $\frac{1}{8}$ "	10 00	Abase	1E	1		
2501D	Axle housing—right	1913-14	26" L., dia. of bell 9 $\frac{1}{4}$ "	10 00	Abat	2835B	1	6	21
*2502	Axle housing—left	1909-12	26" L., dia. of bell 10 $\frac{1}{8}$ "	10 00	Abear	2E	1		
2502D	Axle housing—left	1913-14	26" L., dia. of bell 9 $\frac{1}{4}$ "	10 00	Abel	2836B	1	6	21
2503B	Axle housing bolt and nut	1909-11	$\frac{5}{8}$ " x $\frac{11}{16}$ "	05	Abide	42B-44	5		
2503C	Axle housing bolt and nut	1912	$\frac{1}{2}$ " x 1 $\frac{1}{8}$ "	05	Abject	42C-44	2		
2503E	Axle housing bolt and nut	1913-14	$\frac{5}{8}$ " x 1 $\frac{1}{8}$ "	05	Abjoy	2854-44	7	200	1
2505	Axle shaft—substitute 2505A	1909-11	Obsolete						
2505A	Axle shaft with gear and taper hub	1912-14	31 $\frac{1}{8}$ " long	6 00	Abscond	2818-13B-2819	2		15 $\frac{1}{2}$
2505D	Axle shaft—tapered	1912-14	1 $\frac{3}{8}$ " x 31 $\frac{1}{8}$ "	2 50	Abode	2818	2	25	8
2506	Axle shaft washer	1909-14	1 $\frac{1}{2}$ " dia. fibre	05	Abound	39	1		
2508	Axle shaft roller bearing	1909-14	2 $\frac{1}{2}$ " x 4"	1 00	Abrase	97	4	100	1 4
2509	Axle shaft roller bearing sleeve	1909-14	4" long	25	Abray	170	4	100	9
2510	Axle housing cap	1909-14	2 $\frac{1}{2}$ " dia.	05	Abroad	56	2	200	1
2510A	Axle outer roller bearing steel washer	1909-14	2 $\frac{1}{2}$ " dia.	05	Abnsinthe	199B	2		
2510B	Axle outer roller bearing felt washer	1909-14	2 $\frac{1}{8}$ " dia.	05	Abslst	54	4		
†2512	Diff. case—left (with bushing)	1909-10	For $\frac{5}{8}$ " spider arm	2 50	Abstain	10B	1		
2512B	Diff. case—left (with bushing)	1911-13	For $\frac{5}{8}$ " spider arm. Substitute 2512C and 2520D	2 50		10C	1	25	4 $\frac{1}{2}$
2512C	Diff. case—left (no bushing used)	1911-14	Used with gear 2520C or 2520D	2 00	Abut	10D	1	25	4 4
†2513	Diff. case—right (with bushing)	1909-10	For $\frac{5}{8}$ " spider arm	1 50	Abunda	11B	1		
2513B	Diff. case—right (with bushing)	1911-13	For $\frac{5}{8}$ " spider arm. Substitute 2513C and 2520D	1 50		11C	1	25	2 $\frac{1}{2}$
2513C	Diff. case—right (no bushing used)	1911-14	Used with gear 2520C or 2520D	1 00	Ache	11D	1	25	2 4
2514	Diff. case stud and nut	1909-14	$\frac{3}{8}$ " x 2 $\frac{3}{4}$ "	10	Accadian	52-8	3		1
2517	Diff. case bushing	1909-13	1 $\frac{1}{8}$ " bore—1 $\frac{1}{2}$ " O. D.	30	Acclte	19	2		
2518	Diff. drive gear	1909-14	40 teeth	4 00	Accost	12B	1	50	3

*Substitute 2501D and 2502D. Write nearest branch or factory for exchange proposition.

†Recommend replacing differential cases, spider, and pinion bushings with 1911-13 type.

Code Word	Fac. No.	No. Req. Per Car	P'k'd in Lots of	Weight Lb. Oz.
-----------	----------	------------------	------------------	----------------

Aband....	95E.....	1.....	130.....	
Abase....	1E.....	1.....		
Abat....	2835B.....	1.....	6 21.....	
Abear....	2E.....	1.....		
Abel....	2836B.....	1.....	6 21.....	
Abide....	42B-44.....	5.....		
Abject....	42C-44.....	2.....		
Abjoy....	2854-44.....	7.....	200.....	1
Abscond.	2818-13B-2819	2.....	15 1/2.....	
Abode....	2818.....	2.....	25 8.....	
Abound...	39.....	1.....		
Abrase....	97.....	4.....	100 1 4.....	
Abray....	170.....	4.....	100.....	9
Abroad....	56.....	2.....	200.....	1
Absinthe.	199B.....	2.....		
Absist....	54.....	4.....		
Abstain..	10B.....	1.....		
	10C.....	1.....	25 4 1/2.....	
Abut....	10D.....	1.....	25 4 4.....	
Abunda..	11B.....	1.....		
	11C.....	1.....	25 2 1/2.....	
Ache....	11D.....	1.....	25 2 4.....	
Accadian.	52-8.....	3.....		1
Acclte....	19.....	2.....		
Accost....	12B.....	1.....	50 3.....	

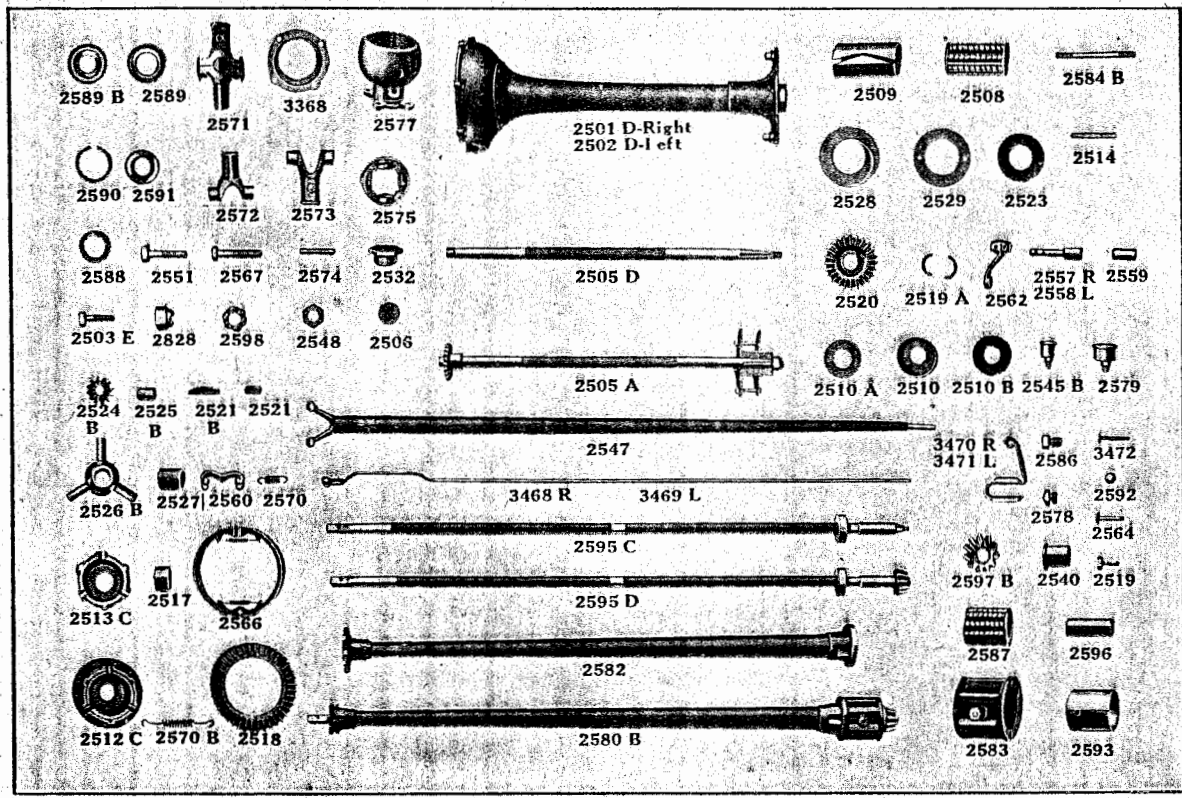


Plate No. 1—Rear Axle Parts

Ford Model T

Fac. No.	No. Per Car	Req.	P'k'd In Lots of	Weight Lb. Oz.
103	10			
118	2			
13	2	100	1 1/4	
13B	2	100	1 1/4	
21B	4			
137	2			
36	2			
2866	2			
32	2			
14B-93B	3	200	4	
14B-93C	3	200	4	
93B	3		1	
93C	3		1	
15C-18	1			
15D-18	1	200	13	
18	1		7	
30	2	200	5	
31	4		3	
17	2			
37	4			
817	1		1	
76	3		1	
152	2		4 1/2	
77	2			
78	2			
2823	2			
83-60	4			
79-80	4			

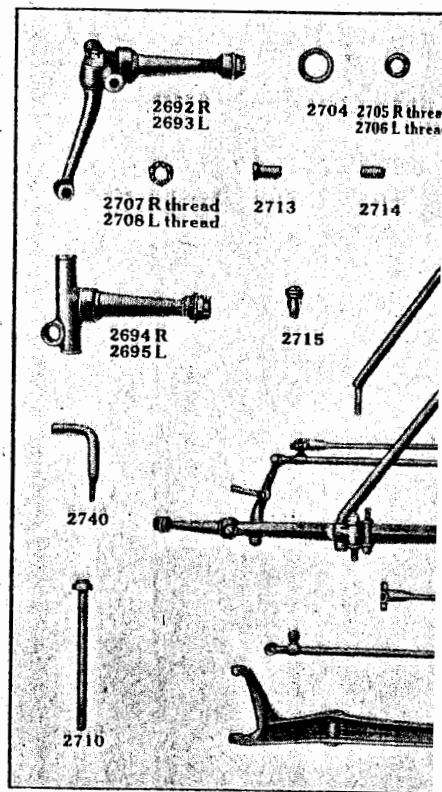
ry omit the differential gear thrust

Ford Model T

Always Give Car Number When Ordering Parts

Part No.	Name of Part	Year	Specifications	Price	Code Word	Fac. No.	No. Per Car	Req.	P'k'd In Lots of	Weight Lb. Oz.
REAR AXLE—Continued										
2557	Hub cam shaft—right	1909-14	3 1/8" long	\$ 0 30	Amuck	92B	1			3
2558	Hub cam shaft—left	1909-14	3 1/8" long	30	Anchor	61B	1			3
2559	Hub cam shaft bushing	1909-14	1/2" bore, 1 1/4" dia.	15	Ancient	173	2			1
2560	Hub brake spring	1909-12	Flat	05	Anger	63	2			
2561	Hub brake spring rivet, per doz.	1909-12	3/8" x 3/4"	05	Anoint	64	4			
2562	Cam shaft lever	1909-14	1/2" bore	30	Arab	62	2			2
2563	Cam shaft lever pin	1909-14	3/8" x 7/8"	02	Arbor	7	4			
2564	Lever clevis pin	1909-14	3/8" x 1"	02	Arcade	65	4			
2566	Hub brake shoe assembly	1909-14	Cast iron	30	Arctic	55B	2	100	1 1/2	
2567	Brake shoe support bolt	1909-14	1/2" x 1 1/8"	05	Argus	59	2			1
2568	Brake shoe support nut	1909-14	1/2" x 20 thds	03	Armor	60	2			1
2570	Brake shoe coil spring	1909-12	1 1/4" long	05	Arsen	67	2			
2570B	Brake shoe coil spring	1913-14	3 3/8" long	05	Asug	2862	4			
2571	Universal joint assembly	1909-14		2 00	Ashore	151B	1	50	2 3/4	
2572	Joint knuckle (male)	1909-14		60	Ashust	45B	1		1	
2573	Joint knuckle (female)	1909-14		80	Askew	46B	1		1	
2574	Joint knuckle pin	1909-14	5/8" x 1 1/2"	02	Asleep	6	1			
2575	Joint ring, complete	1909-14	3 1/8" dia.	60	Astert	49B	1			12
2576	Joint ring rivets (per set 4)	1909-14	1/2" x 1 1/8"	05	Atche	50	4			
2577	Joint housing	1909-14	4 3/8" long	75	Atlas	70	1		2	
2578	Joint housing plug	1909-14	1/2" x 20 thds	05	Atom	75	2			
2579	Ball joint grease cup	1909-14	1/4" pipe thds	25	Attic	195B	1			2
2580	Ball cap gasket	1909-14	Felt	05	Auburn	1518	1			
2580B	Drive shaft and housing assembly	1909-14		14 00	Balker		1	10	30	
2582	D. S. tubing	1910-14	46 1/4" long	4 00	Ballad	153B	1	20	10 3/4	
2583	D. S. roller bearing housing	1910-14	3 1/4" long	75	Ballot	191B	1		2 1/4	
2584	D. S. roller bearing stud and nut	1910-11	3/8" x 4 1/8"	10	Bamily	183-184	6			3
2584B	D. S. roller bearing stud and nut	1911-14	1/2" x 4 5/8"	10	Balneal	183B-184B	6			3
2586	D. S. roller bearing housing set screw	1910-14	1/2" x 20 thds	05	Banco	101	1			
2587	D. S. roller bearing	1910-14	2 5/8" long	1 50	Balsani	108	1	100	1	5
2588	D. S. roller bearing distance plate	1910-14	2 1/4" dia.	05	Bandlet	106	1			1

Part No.	Name of Part	Year	Specifications	Price	Code Word	Fac. No.	No. Req. Per Car	P'k'd in Lots of	Weight Lb. Oz.
REAR AXLE—Continued									
2589B.	D. S. ball bearing assembly.....	1910-14		\$ 1 00	Bander	185	1	200	11
2589	D. S. ball race.....	1910-14	2 $\frac{5}{8}$ " dia.	35	Bandon	186	1		4
2590	D. S. ball retainer.....	1910-14	2 $\frac{1}{2}$ " dia.	05	Bandroc	190	1		
2591	D. S. ball thrust collar.....	1910-14	2 $\frac{1}{4}$ " dia.	45	Bandault	188	1		3
2592	D. S. ball bearings, each.....	1910-14	$\frac{3}{4}$ " ball	04	Bandy	249	15		
2593	D. S. roller bearing sleeve.....	1910-14	2 $\frac{5}{8}$ " dia., 2 $\frac{3}{4}$ " long	1 00	Bangle	107	1		15
2595B.	D. S. only (tapered).....	1910-14	1 $\frac{1}{8}$ " x 53 $\frac{1}{16}$ "	3 00	Banjo	87D	1	25	13 4
2595C.	D. S. with sleeve and ball bearing.....	1910-14	1 $\frac{1}{8}$ " x 53 $\frac{1}{16}$ "	4 00	Bannock	87D-163B-185	1	25	14 5
2595D.	D. S. with pinion complete.....	1910-14	1 $\frac{1}{8}$ " x 53 $\frac{1}{16}$ "	6 00	Banquet	154D	1	25	15
2596	D. S. sleeve.....	1910-14	1" bore, 3 $\frac{1}{8}$ " long	85	Banshee	163B	1		6
2597B.	D. S. pinion.....	1911-14	Taper bore, 11 teeth	1 50	Banewort	16C	1	200	10
2598	D. S. castle nut.....	1911-14	$\frac{5}{8}$ " x 18 thds	05	Banket	124	1		1
2598B.	D. S. pinion key.....	1911-14		05	Banker	57B	1		
2540	D. S. housing front bushing.....	1909-14	1" bore, 1 $\frac{3}{4}$ " babbitt	60	Balkish	69	1		6
FRONT AXLE									
2690	Front axle assembly for left control cars.....	1909-14	51 $\frac{1}{16}$ " C. to C.	22 00	Barila	261B	1		40
2690R.	Front axle assembly for right control cars.....	1909-14	51 $\frac{1}{16}$ " C. to C.	22 00	Barix	261B-R	1		40
2691	Front axle only.....	1909-14	51 $\frac{1}{16}$ " C. to C.	8 00	Barber	202B	1		18
2692	Spindle body with arm—right.....	1911-14		2 75	Barge	203B-282	1	50	3
2693	Spindle body with arm—left.....	1911-14		2 75	Barth	204B-270	1	50	3
2694	Spindle body—right.....	1911-14		2 00	Bardash	203B	1	100	2 $\frac{1}{2}$
2695	Spindle body—left.....	1911-14		2 00	Bardisk	204B	1	100	2 $\frac{1}{2}$
2696	Spindle arm—left.....	1911-14		75	Bardism	270	1		$\frac{1}{2}$
2696B.	Spindle arm—right.....	1911-14		75	Bardo	282	1		$\frac{1}{2}$
2697	Spindle arm nut.....	1911-14	$\frac{1}{8}$ " x 18 thds	05	Bardling	77	2		
2702	Spindle assembly—right.....	1909-10		2 75	Barkate	203A	1		3 $\frac{1}{4}$
2703	Spindle assembly—left.....	1909-10		2 75	Barker	204A	1		3 $\frac{1}{4}$
2704	Stationary cone.....	1909-14	1 $\frac{3}{8}$ " bore	20	Barkless	205	2	300	3



Parts

Ford Model T

Code Word	Fac. No.	Req. Per Car	P'k'd in Lots of	Weight Lb. Oz.
Bander	185	1	200	11
Bandon	186	1		4
Bandroe	190	1		
Bandault	188	1		3
Bandy	249	15		
Bangle	107	1		15
Banjo	87D	1	25 13	4
Bannock	87D-163B-185	1	25 14	5
Banquet	154D	1	25 15	
Banshee	163B	1		6
Banewort	16C	1	200	10
Banet	124	1		1
Banker	57B	1		
Balkish	69	1		6
Barila	261B	1		40
Barix	261B-R	1		40
Barber	202B	1		18
Barge	203B-282	1	50	3
Barth	204B-270	1	50	3
Bardash	203B	1	100	2 1/2
Bardisk	204B	1	100	2 1/2
Bardism	270	1		1/2
Bardo	282	1		1/2
Bardling	77	2		
Barkate	203A	1		3 1/4
Barker	204A	1		3 1/4
Barkless	205	2	300	3

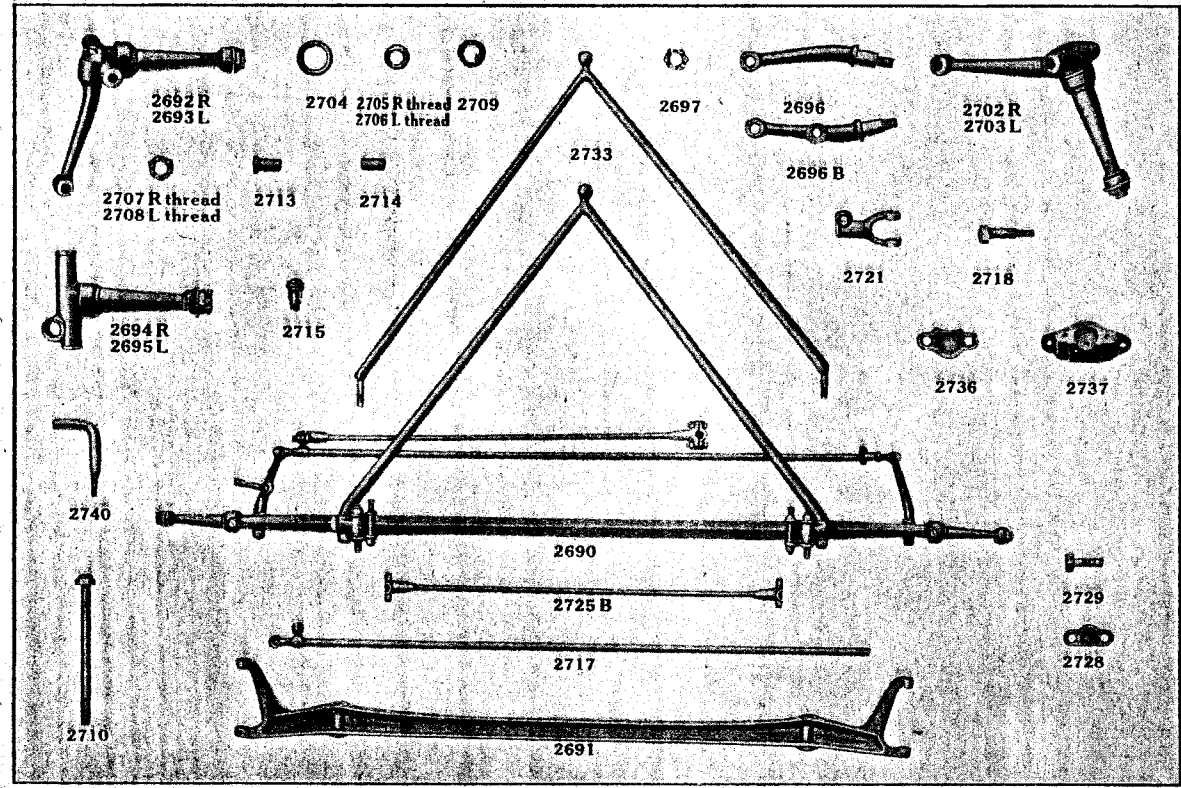


Plate No. 2—Front Axle Parts

Part No.	Name of Part	Year	Specifications	Price	Code Word	Fac. No.	No. Req. Per Car	P'k'd in Lots of	Weight Lb. Oz.
FRONT AXLE—Continued									
2705	Adjusting cone—left side	1909-14	$\frac{3}{4}$ " x 16 thds., R. T.	\$ 0 15	Barley	206	1	500	2
2706	Adjusting cone—right side	1909-14	$\frac{3}{4}$ " x 16 thds., L. T.	15	Barrack	207	1	500	2
2707	Spindle nut—left side	1909-14	$\frac{3}{4}$ " x 16 R. H. thds.	10	Barrow	209B	1	500	1
2708	Spindle nut—right side	1909-14	$\frac{3}{4}$ " x 16 L. H. thds.	10	Barron	208B	1	500	1
2709	Spindle washer	1909-14	$\frac{3}{8}$ " hole x $1\frac{1}{8}$ "	02	Barras	210	2		
2710	Spindle bolt	1909-14	$\frac{1}{2}$ " x $6\frac{3}{4}$ "	40	Barter	211B	2	200	6
2711	Spindle bolt nut	1909-14	$\frac{1}{2}$ " x 20 thds.	05	Barton	60	2		
2713	Spindle body bushing (pair)	1909-14	$\frac{1}{2}$ " bore	20	Bartram	223	2 prs.		(pr.) 2
2714	Spindle arm bushing	1909-14	$\frac{1}{8}$ " bore, $\frac{1}{8}$ " dia., 1" L.	10	Barwood	225	2		1
2715	Spindle oiler	1909-14	$\frac{1}{8}$ " pipe thds.	10	Baryta	128	2		$\frac{1}{2}$
2716	Spindle con rod with yoke for left control cars	1909-14	47 $\frac{11}{16}$ " C. to C.	2 50	Barytone	264	1	50	3 4
2716R	Spindle con rod with yoke for right control cars	1909-14	47 $\frac{11}{16}$ " C. to C.	2 50	Barixal	1861	1	50	3 4
2717	Spindle con rod with ball pin for left control cars	1909-14	46 $\frac{3}{4}$ " long	2 00	Basalt	268	1	50	2 $\frac{3}{4}$
2717R	Spindle con rod with ball pin for right control cars	1909-14	46 $\frac{3}{4}$ " long	2 00	Basark	1850	1	50	2 $\frac{3}{4}$
2718	Spindle con rod bolt	1909-14	$\frac{7}{16}$ " x 2 $\frac{1}{4}$ "	05	Basan	216	2		3
2719	Spindle con rod bolt nut	1909-14	$\frac{1}{16}$ " x 20 thds.	02	Bashful	220	2		1
2720B	Spindle con rod bolt oiler	1909-14	$\frac{1}{8}$ " pipe thd.	10	Basque	128	2		$\frac{1}{2}$
2721	Spindle con rod yoke	1909-14	2 $\frac{3}{4}$ " long	50	Bashule	248	1		6
2722	Steering yoke clamp bolt and nut	1909-14	$\frac{3}{8}$ " x 1 $\frac{1}{2}$ "	05	Basil	79-8	1		2
2725B	Steering gear con rod	1909-14	Includes ball sockets	75	Baslard	289	1	100	2
2728	Ball socket cap	1909-14		15	Basen	254B	2		2
2729	Ball socket bolt and nut	1909-14	$\frac{3}{8}$ " x 1 $\frac{1}{8}$ "	05	Basined	255-8	4		
2733	Front radius rod	1909-14		3 00	Beardless	263	1	6-Local 72-Foreign	6 $\frac{1}{2}$ 6 $\frac{1}{2}$
2734	Front radius rod nut	1909-14	$\frac{5}{16}$ " x 18 thds.	05	Beatish	77	2		1
2736	Front radius rod ball cap	1909-14		15	Beaufet	217	1		2
2737	Front radius rod ball socket	1911-14		20	Beckon	809B	1		
2738	Front radius rod ball cap screw	1909-10	$\frac{3}{8}$ " x 24 thds.	05	Beaver	810A	2		1

Part No.	Name of Part	Y
----------	--------------	---

FRONT AXLE—Continued

2739	Front radius rod ball cap screw	19
2740	Speedometer swivel joint support	19
2741	Front radius rod ball cap stud and nut	19
2742	Front radius rod ball cap spring	19

WHEELS

2800	Front wheel	19
2800 $\frac{1}{2}$	Front wheel	19
2803	Front hub assembly	19
2804	Outer race	19
2805	Inner race	19
2806	Outer ball retainer	19
2807	Inner ball retainer	19
2808	Dust ring	19
2809	Felt washer	19
2810	Large balls, each	19
2811	Small balls, each	19
2812A	Rear wheel (specify color)	19
2814C	Rear wheel—blue (taper hub)	19
2815B	Rear hub (straight bore)	19
2815C	Rear hub (tapered)	19
2816	Rear hub key (for straight axle)	19
2816B	Rear hub key (for taper axle)	19
2817	Rear hub pin	19
2818	Rear hub brake drum	19
2819	Hub cap	19
2820	Hub bolt and nut	19
2822	Hub flange	19
2825	Hub bolt and nut	19
2827	Hub flange	19
2828	Rear hub lock nut	19
2829	Rear hub felt washer	19

Code Fac. No. Req. P'k'd in Weight
Word No. Per Car Lots of Lb. Oz.

Barley...	206	1	500	2
Barrack...	207	1	500	2
Barrow...	209B	1	500	1
Baron...	208B	1	500	1
Barras...	210	2		
Barter...	211B	2	200	6
Barton...	60	2		
Bartram...	223	2 prs.	(pr.)	2
Barwood...	225	2		1
Baryta...	128	2		1/2
Barytone...	264	1	50	3 4
Barixal...	1861	1	50	3 4
Basalt...	268	1	50	2 3/4
Basark...	1850	1	50	2 3/4
Basari...	216	2		3
Bashful...	220	2		1
Basque...	128	2		1/2
Bashule...	248	1		6
Basil...	79-8	1		2
Baslard...	289	1	100	2
Basen...	254B	2		2
Basined...	255-8	4		
Beardless...	263	1	6-Local 72-Foreign	6 1/2 6 1/2
Beatish...	77	2		1
Beaufet...	217	1		2
Beckon...	809B	1		
Beaver...	810A	2		1

Part No. Name of Part Year Specifications Price Code Word Fac. No. Req. Per Car P'k'd in Lots of Weight Lb. Oz.

FRONT AXLE—Continued

2739...	Front radius rod ball cap screw	1911-14	3/8" x 16 thds.	\$ 0 05	Beblot...	810B	2		1
2740...	Speedometer swivel joint support	1912-14			20	Beblack...	4760	1	5
2741...	Front radius rod ball cap stud and nut	1914	2 1/16" long.	05	Bebore...	4365-8	2		
2742...	Front radius rod ball cap spring	1914	3/4" long.	02	Bebsot...	292	2		

WHEELS

2800...	Front wheel	1909-14	30" x 3 1/2" rim—blue	6 00	Becomb...	291B	2	6	27
2800 1/2	Front wheel	1909-14	30" x 3" rim—blue	6 00	Becrose...	291B	2	6	27
2803...	Front hub assembly	1909-14		3 00	Bedew...	232B	2	50	6 1/2
2804...	Outer race	1909-14	1 11/16" dia.	25	Bedfere...	234	2	200	2
2805...	Inner race	1909-14	2 3/16" dia.	35	Bedight...	235	2	200	5
2806...	Outer ball retainer	1909-14	1 3/16" dia.	05	Bedlm...	236	2		
2807...	Inner ball retainer	1909-14	2 11/16" dia.	05	Bedsld...	237	2		
2808...	Dust ring	1909-14	Steel 2 3/16" dia.	10	Bedward...	238	2		1
2809...	Felt washer	1909-14	2 1/2" dia.	05	Bedije...	239	2		
2810...	Large balls, each	1909-14	1/2"	05	Beefing...	241	24		
2811...	Small balls, each	1909-14	3/8"	04	Beemol...	249	22		
2812A...	Rear wheel (specify color)	1909-11	30" x 3 1/2" rim straight hub	5 00	Beemine...	99B	2	10	28
2814C...	Rear wheel—blue (taper hub)	1912-14	30" x 3 1/2" rim	5 00	Beggah...	2815	2	10	28
2815B...	Rear hub (straight bore)	1909-11	1 1/8" bore x 4 1/4"	3 00	Beggart...	40B	2		
2815C...	Rear hub (tapered)	1912-14	3 3/8" long.	1 50	Begol...	2819	2	50	6
2816...	Rear hub key (for straight axle)	1909-11	1/4" x 1/4" x 4 1/8"	05	Begone...	26	2		
2816B...	Rear hub key (for taper axle)	1912-14	1/4" x 1/4" x 2 11/16"	05	Begloom...	2820	2		
2817...	Rear hub pin	1909-11	3/8" x 2"	02	Begore...	27	2		
2818...	Rear hub brake drum	1909-14	3" hole, 8" dia.	50	Beguiler...	3B	2		2 1/2
2819...	Hub cap	1909-14	2 1/4" x 24 thds.	15	Behave...	240B	4	100	4
2820...	Hub bolt and nut	1909-10	1/8" x 2" x 18 thds.	05	Beheld...	28A-29A	24	500	2
2822...	Hub flange	1909-10	5 1/2" dia.	30	Behost...	233A	4		1
2825...	Hub bolt and nut	1911-14	3/8" x 2 1/8" x 16 thds.	05	Belay...	28B-29B	24	500	2
2827...	Hub flange	1911-14	6" dia.	30	Bellow...	233B	4		1 1/4
2828...	Rear hub lock nut	1912-14	5/8" x 18 thds.	05	Bengal...	242	2		1
2829...	Rear hub felt washer	1913-14		05	Bedpost...	2864	2		

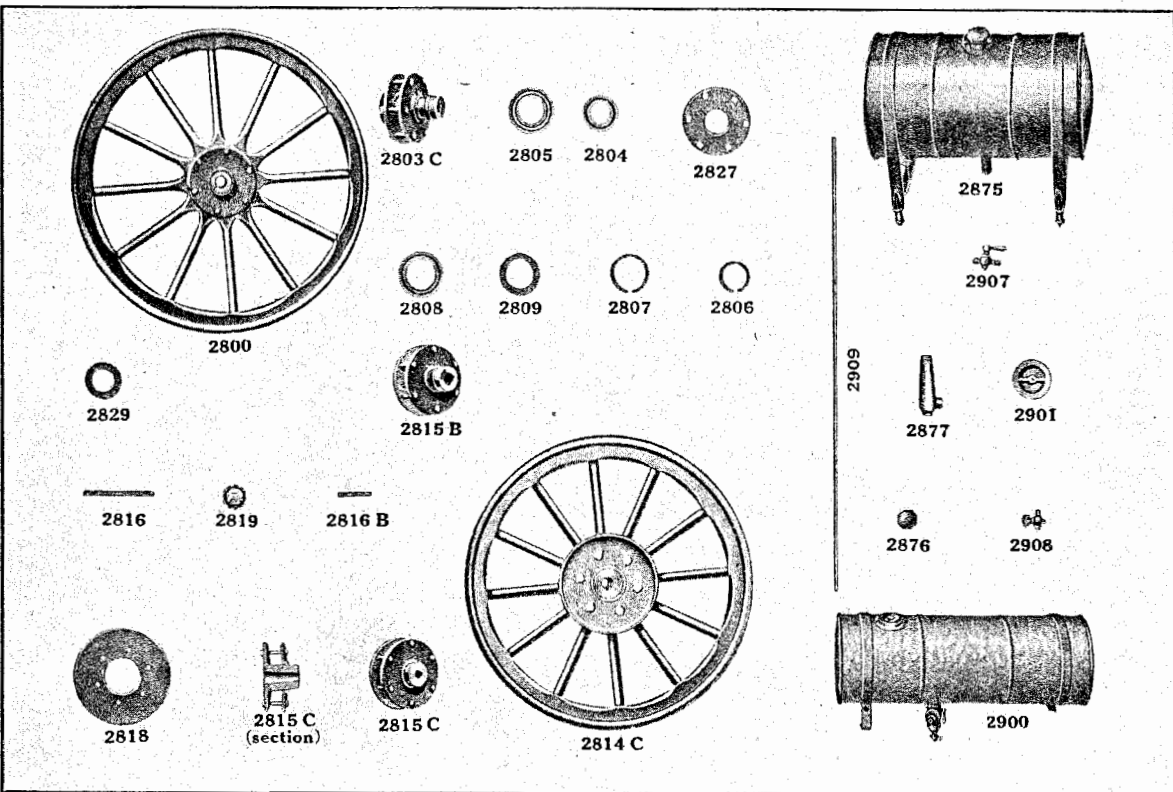


Plate No. 3—Wheel and Gasoline Tank Parts

Part No	Name of Part	Year
---------	--------------	------

FRAME

*2850	Frame assembly for left control cars	1909
*2850R	Frame assembly for right control cars	1909
2851	Side member—right for left control cars	1909
2851B	Side member—right for left control cars	1914
2851R	Side member—right for right control cars	1909
2851RB	Side member—right for right control cars	1914
2852	Side member—left	1909
2852B	Side member—left	1914
2853	Front cross member	1909
2854	Rear cross member	1909
2854B	Rear cross member	1914
2855	Front corner bracket—right	1909
2856	Front corner bracket—left	1909
2857	Rear corner bracket—right	1909
2858	Rear corner bracket—left	1909
2863	Body bracket	1909

*Rear cross member extension must be cut off when

GASOLINE TANK—RUNABOUT

2875	Gasoline tank	1911
2876	Filler cap	1911
2877	Sediment bulb	1911
2878	Feed pipe	1911
2879	Feed pipe clip	1911
2880	Tank bolt and nut	1911
2883	Tank stop cock	1911

Part No	Name of Part	Year	Specifications	Price	Code Word	Fac. No.	No. Req. Per Car	P'k'd in Lots of	Weight Lb. Oz.
---------	--------------	------	----------------	-------	-----------	----------	------------------	------------------	----------------

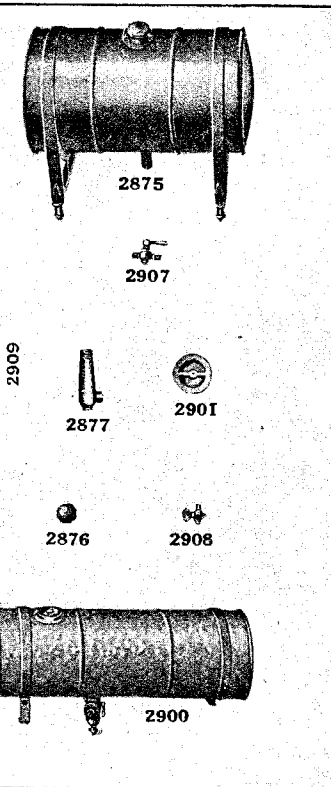
FRAME

*2850	Frame assembly for left control cars	1909-14	23" x 101 $\frac{1}{8}$ " long	\$ 9 00	Belone	2916	1	60	
*2850R	Frame assembly for right control cars	1909-14	23" x 101 $\frac{1}{8}$ " long	9 00	Belosh	1879	1	60	
2851	Side member—right for left control cars	1909-13	Use with rear cross member 2854	3 00	Belowt	301	1	23 $\frac{1}{2}$	
2851B	Side member—right for left control cars	1914	Use with rear cross member 2854B	3 00	Belotta	2914	1	24	
2851R	Side member—right for right control cars	1909-13	Use with rear cross member 2854	3 00	Belrest	1823	1	23 $\frac{1}{2}$	
2851RBS	Side member—right for right control cars	1914	Use with rear cross member 2854B	3 00	Beloxo	1823B	1	24	
2852	Side member—left	1909-13	Use with rear cross member 2854	3 00	Beltane	302	1	23 $\frac{1}{2}$	
2852B	Side member—left	1914	Use with rear cross member 2854B	3 00	Belt	2915	1	24	
2853	Front cross member	1909-14	22 $\frac{3}{4}$ " long	1 00	Beiuga	303	1	25	4
2854	Rear cross member	1909-13	22 $\frac{1}{8}$ " long	1 00	Bemoan	304	1	25	5 $\frac{1}{2}$
2854B	Rear cross member	1914	31" long—ends form rear body brackets	1 00	Benares	2913	1	25	7
2855	Front corner bracket—right	1909-14		30	Benumb	305	1		$\frac{1}{2}$
2856	Front corner bracket—left	1909-14		30	Bequest	306	1		$\frac{1}{2}$
2857	Rear corner bracket—right	1909-13		30	Besiege	307	1		$\frac{1}{2}$
2858	Rear corner bracket—left	1909-13		30	Bespawl	308	1		$\frac{1}{2}$
2863	Body bracket	1909-14	On frame	15	Bestow	344	4		

*Rear cross member extension must be cut off when used on 1909-10 cars.

GASOLINE TANK—RUNABOUT

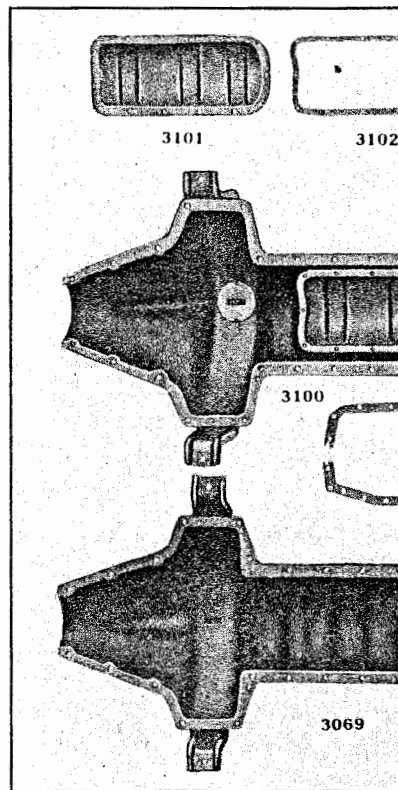
2875	Gasoline tank	1911-12	13 $\frac{1}{2}$ imp. gallons	6 00	Bethel	2083	1	17 $\frac{3}{4}$	
2876	Filler cap	1911-12	2 $\frac{1}{4}$ " O. D.	30	Bethump	2315	1		$\frac{1}{4}$
2877	Sediment bulb	1911-12	3 $\frac{1}{8}$ " long	30	Bethony	2085	1		6
2878	Feed pipe	1911-12	Brass, 78" long	25	Betrap	1394	1		
2879	Feed pipe clip	1911-12	$\frac{3}{8}$ " wide	05	Betray	1395	3		
2880	Tank bolt and nut	1911-12	$\frac{1}{8}$ " x 2 $\frac{1}{4}$ "	10	Betroth	2345B-29	4		
2883	Tank stop cock	1911-12		20	Bezan	1343	1		



Part No.	Name of Part	Year	Specifications	Price	Code Word	Fac. No.	Req. Per Car.	P'k'd In Lots of	Weight Lb. Oz.
GASOLINE TANK—TOURING CAR									
2900	Gasoline tank	1909-14	8 mp. gallons	\$ 3 00	Bibber	1303	1		16
2901	Filling plug	1909-14	2 $\frac{3}{8}$ "	30	Biblist	1317	1		3
2902B	Sediment bulb assembly	1909-14	brass	1 00	Bickers	4099	1	1	3
2903	Tank bolt and nut	1909-14	Specify length	10	Bight	940-8	3		
2907	Stop cock	1909-12		20	Bigot	1343	1		
2908	Pet cock	1909-14	$\frac{3}{8}$ " pipe thds.	20	Bilbb	1515	1		3
2909	Feed pipe	1909-14	$\frac{1}{4}$ " x 40 $\frac{3}{4}$ " long	25	Billet	1364	1		3
2910	Feed pipe pack nut	1909-14	$\frac{1}{2}$ " x 18 thds.	05	Billow	1374	2		

MOTOR

3000	Cylinder	1909-14	Cars above 2500	15 00	Cabal	400C	1	3	82
3001	Cylinder head	1909-14	Cars above 2500	3 00	Cabin	401C	1	8	25 12
3002	Cyl. head gasket	1909-14	Copper-Asbestos	30	Caboose	402B	1	50	5
3003	Cyl. head cap screw	1909-14	$\frac{1}{8}$ " x 2 $\frac{3}{8}$ "	05	Cackle	483B	15		2
3004	Cyl. head outlet connection	1909-14	Cast iron	20	Caddow	446C	1	50	10
3005	Cyl. head outlet con gasket	1909-14	Copper	05	Caddy	445B	1		
3006	Cyl. head outlet hose	1909-14	2" x 3 $\frac{1}{4}$ "	20	Cadet	448B	1	100	4
3007	Cyl. head outlet hose clip	1909-14	2 $\frac{3}{8}$ " dia.	05	Cadger	607B	2		1
3008	Cyl. head outlet con screw	1909-14	$\frac{7}{8}$ " x $\frac{11}{16}$ "	05	Cadmean	550C	2		1
3009	Cyl. front cover	1909-11	Replace with 3160	75	Caduke	403C	1		
3009B	Cyl. front cover	1912-14	Cars above 2500	75	Cage	690	1	2	13
3010	Cyl. cover bolt	1909-14	$\frac{3}{8}$ " x $\frac{1}{8}$ "	05	Cafe	1028	1		
3011	Cyl. cover cap screw	1909-14	$\frac{3}{8}$ " x $\frac{11}{16}$ "	05	Cahoot	432	3		
3012	Cyl. cover felt	1909-14	Felt	05	Caitiff	504	1		
3013	Cyl. cover liner	1909-14	Paper	05	Cajole	505B	1		
3014	Cyl. cover and crank case bolt and nut	1909-14	$\frac{3}{8}$ " x 1 $\frac{1}{4}$ "	05	Calash	484-8	16	500	2
3015	Cyl. water inlet connection	1909-14	Cast iron	20	Calcine	442B	1		1
3016	Cyl. inlet con screw	1909-14	$\frac{1}{8}$ " x 1 $\frac{1}{2}$ "	05	Caldron	597	2		1
3018	Cyl. water inlet gasket	1909-14	Copper	05	Calefy	596	1		
3019	Cyl. water jacket plug	1909-14	$\frac{1}{2}$ " pipe plug	05	Capin	557	3		1
3020	Piston complete	1909-14	3 $\frac{3}{4}$ " dia.	1 50	Callph	418C-419B-422	4	50	3 $\frac{3}{4}$



ts

Ford Model T

Code	Fac. No.	No. Req. Per Car.	P'k'd In Lots of	Weight Lb. Oz.
------	----------	-------------------	------------------	----------------

ibber	1303	1	16	...
biist	1317	1	3	...
ckers	4099	1	1	3
ght	940-8	3		...
got	1343	1		...
lbb	1515	1	3	...
llet	1364	1	3	...
llow	1374	2		...

abal	400C	1	3	82	...
abin	401C	1	8	25	12
aboose	402B	1	50		5
ackle	483B	15			2
adow	446C	1	50		10
addy	445B	1			...
adet	448B	1	100		4
adger	607B	2			1
admean	550C	2			1
aduke	403C	1			...
age	690	1	2	13	...
afe	1028	1			...
ahoot	432	3			...
aitiff	504	1			...
ajole	505B	1			...
alash	484-8	16	500		2
alcine	442B	1		1	...
aldron	597	2			1
alefy	596	1			...
apin	557	3			1
alph	418C-419B-422	4	50	3 3/4	...

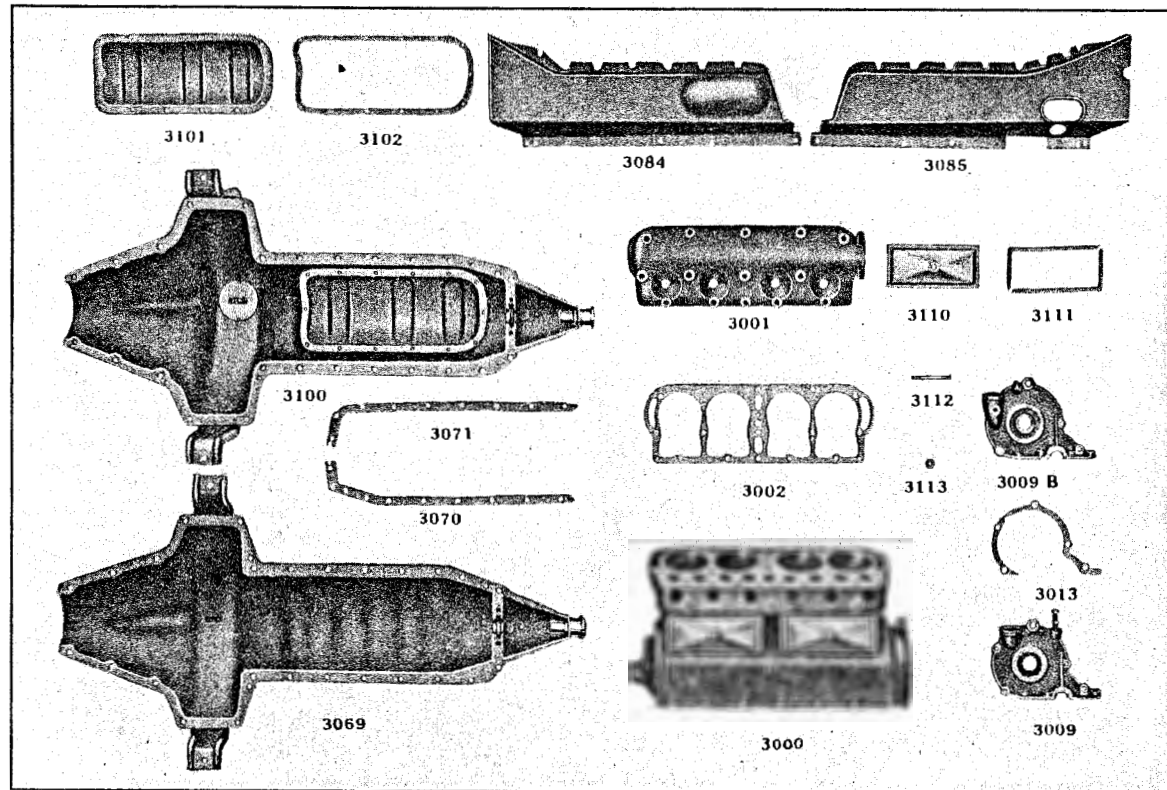
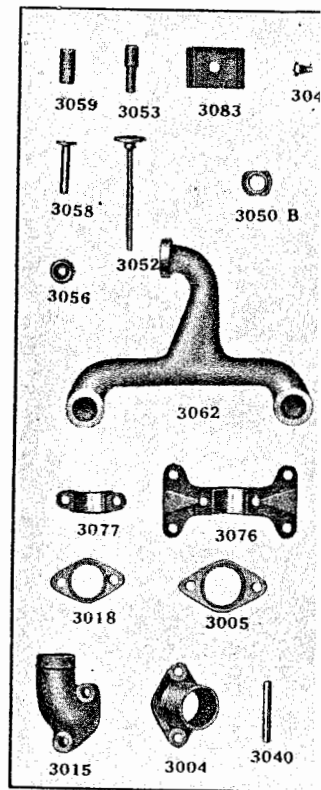


Plate No. 4—Motor Parts

Part No.	Name of Part	Year	Specifications	Price	Code Word	Fac. No.	No. Req. Per Car	P'k'd in Lots of	Weight Lb. Oz.
MOTOR—Continued									
3021	Piston only	1909-14	3 $\frac{3}{4}$ " dia.	\$ 0 85	Callous	418	4	50	3
3022	Piston pin	1909-14	$\frac{3}{16}$ " dia. x 3 $\frac{1}{2}$ " long	20	Callot	419B	4	200	5
3022 $\frac{1}{2}$	Piston pin bushing (pair)	1909-14	$\frac{1}{16}$ " dia. x 1 $\frac{1}{2}$ " long	20	Callow	668	4 prs		(pr.) 3
3023	Piston ring	1909-14	$\frac{1}{4}$ " x 3 $\frac{3}{4}$ "	15	Calmy	422	12	200	1
*3024	Connecting rod	1909-14	Includes bearings	2 50	Calvish	641	4	50	1 $\frac{1}{4}$
3025	Con. rod cap bolt and nut	1909-14	$\frac{3}{8}$ " x 2" x 24 thds.	10	Calyz	489B-490	8		2
3029	Con. rod clamp screw	1909-14	$\frac{3}{8}$ " x 1 $\frac{1}{16}$ "	05	Cambrie	578	4		1
3030	Crank shaft	1909-14	25 $\frac{5}{8}$ " long	10 00	Camel	498B	1	25	13 $\frac{3}{4}$
3031	C. S. rear bearing cap	1909-14	3 $\frac{1}{8}$ " long, babbitted	60	Cameo	405B	1	100	1
3032	C. S. front bearing cap	1909-14	1 $\frac{1}{8}$ " long, babbitted	50	Camera	406B	1	100	9
3033	C. S. center bearing cap	1909-14	2 $\frac{1}{8}$ " long, babbitted	50	Camlet	407B	1	100	10
3034	C. S. bearing bolt—center and front	1909-14	$\frac{1}{2}$ " x 6 $\frac{1}{16}$ " x 20 thds.	15	Camphor	408	4		7
3035	C. S. bearing bolt nut	1909-14	$\frac{1}{2}$ " x 20 thds.	05	Canal	60	6		1
3036	C. S. rear bearing bolt	1909-14	$\frac{1}{2}$ " x 4 $\frac{1}{2}$ "	15	Candle	478	2		5
3037	C. S. center bearing liner	1909-14	2 $\frac{1}{8}$ " long, brass	05	Canker	501B	2		
3038	C. S. front bearing liner	1909-14	1 $\frac{1}{8}$ " long, brass	05	Cannon	502B	2		
3039	C. S. rear bearing liner	1909-14	3" long, brass	05	Canny	503B	2		
3040	C. S. starting pin	1909-14	$\frac{3}{8}$ " x 2 $\frac{3}{4}$ "	05	Canoe	529B	1		2
3041	Cam shaft	1909-14	Drop forging	4 50	Canteen	410	1	50	3 $\frac{1}{4}$
3042	Cam shaft front bearing	1909-14	Cast iron, 2" long	25	Canters	411	1	200	5
3043	Cam shaft center bearing	1909-14	Cast iron, 2 $\frac{1}{8}$ " long	25	Canthus	412B	1	200	6
3044	Cam shaft rear bearing	1909-14	Bronze, 1 $\frac{7}{16}$ " long	30	Canto	413	1		3
3045	Cam shaft bearing ring	1909-14	$\frac{3}{16}$ " x 1 $\frac{1}{8}$ "	05	Canvas	534	2		
3046	Cam shaft bearing set screw	1909-14	$\frac{1}{16}$ " x $\frac{5}{8}$ "	05	Capelln	414	2		
3047	Cam shaft gear—large	1909-14	42 teeth	75	Caper	415	1	50	2
3048	Cam shaft gear—small	1909-14	21 teeth	60	Capat	416	1	100	9
3049	Cam shaft gear dowel pin	1909-14	$\frac{3}{8}$ " x $\frac{7}{16}$ "	03	Capra	417	2		
3050	Cam shaft large gear lock nut	1909-11	Used with com. No. 3200	15	Caprice	475	1		
3050B	Cam shaft large gear lock nut	1912-14	Used with com. No. 3160	15	Captive	4453	1		2
3051	Cam shaft small gear key	1909-14	Special Woodruff key	05	Capsize	477	1		

*Connecting rods requiring new babbitt bearings will be exchanged at factory or any branch for .75 each.



ts

Ford Model T

Code	Fac. No.	No. Req. Per Car	P'k'd in Lots of	Weight Lb. Oz.
------	----------	------------------	------------------	----------------

Alloys...	418	4	50	3
Alot...	419B	4	200	5
Alloy...	668	4 prs		(pr.) 3
Almy...	422	12	200	1
Alvsh...	641	4	50	1 1/4
Alyz...	489B-490	8		2
Ambrle...	578	4		1
Amel...	498B	1	25	13 3/4
Ameo...	405B	1	100	1
Amra...	406B	1	100	9
Amlet...	407B	1	100	10
Amphor...	408	4		7
Amnal...	60	6		1
Amndle...	478	2		5
Amnker...	501B	2		
Amnon...	502B	2		
Amny...	503B	2		
Amnoe...	529B	1		2
Amnteen...	410	1	50	3 1/4
Amnters...	411	1	200	5
Amnthus...	412B	1	200	6
Amnto...	413	1		3
Amnvas...	534	2		
Amnelin...	414	2		
Amper...	415	1	50	2
Ampat...	416	1	100	9
Ampra...	417	2		
Amprice...	475	1		
Amptive...	4453	1		2
Amprsize...	477	1		

pr .75 each.

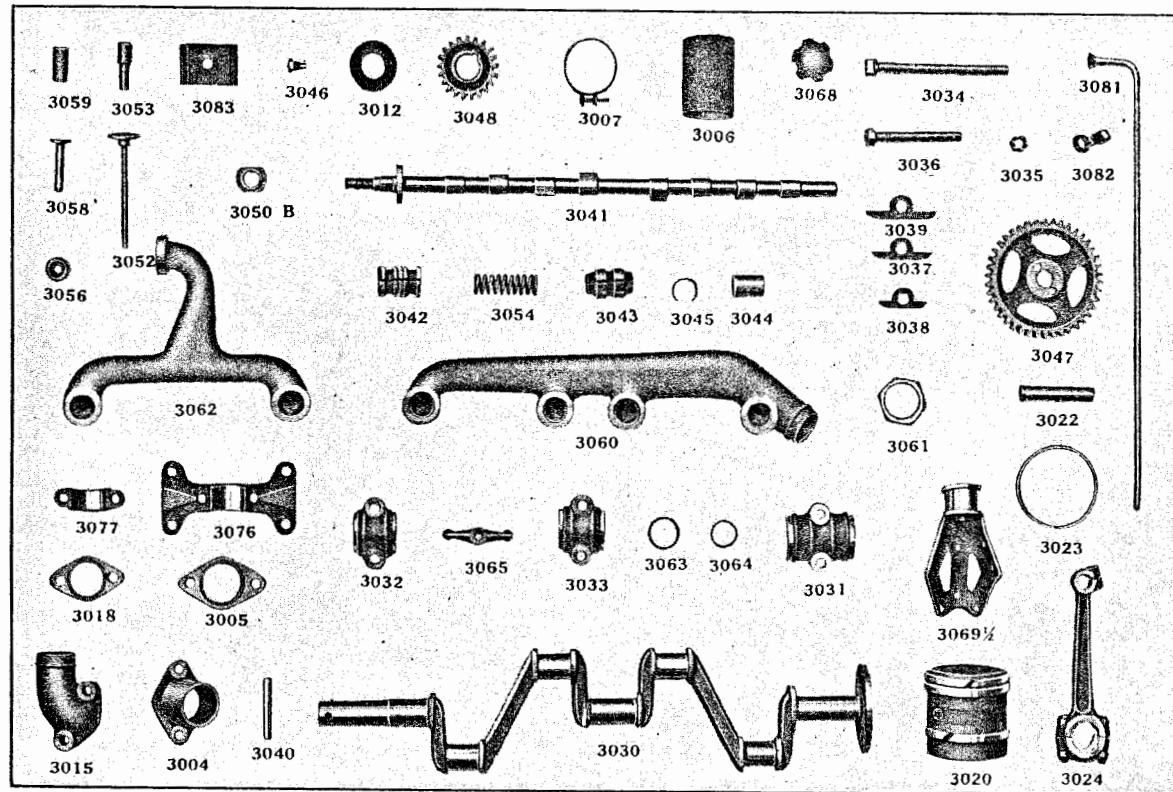


Plate No. 5—Motor Parts

Part No.	Name of Part	Year	Specifications	Price	Code Word	Fac. No.	No. Req. Per Car	P'k'd In Lots of	Weight Lb. Oz.
MOTOR—Continued									
3052	Valve	1909-14	Exhaust and inlet	\$ 0 25	Capstan	424	8	100	5
3053	Valve bushing	1909-10	3/8" dia. x 2" long	15	Capsule	428	8		
3053 1/2	Valve bushing	1911-12	1/2" O. D. x 2" long	15	Captain	428B	8		
3054	Valve spring	1909-14	2 3/8" long	05	Capture	431	8		
3056	Valve spring seat	1909-14	1 1/8" dia.	02	Carack	425	8		2
3057	Valve spring seat pin	1909-14	7/16" x 1 1/2"	01	Caranx	429	8		
3058	Push rod	1909-14	1/4" dia., 2 1/4"	20	Carat	426	8		2
3059 1/2	Push rod bushing	1909-11	Iron	15	Chippy	427B	8		
3060	Exhaust pipe	1909-13	Rear end bored. Use with 4037	1 00	Chisley	511	1	25	4 14
3060B	Exhaust pipe	1914	Rear end bevelled. Use with 4037B	1 00	Chissop	4483	1	25	4 14
3061	Exhaust pipe pack nut	1909-14	1 1/8" x 18 thds., brass	40	Chitter	518	1		4
3062	Inlet pipe	1909-14		1 50	Chloris	512B	1	50	2 13
3063	Inlet and exh. pipe gasket	1909-14	1 1/2" O. D. Copper	05	Choker	513	6		
3064	Inlet and exh. pipe gland	1909-14	1 1/4" dia. iron	05	Chopper	514	6		
3065	Inlet and exh. pipe clamp	1909-14	2 3/4" long	10	Choral	515	4		3
3066	Inlet and exh. clamp stud and nut	1909-14	3/8" x 3 1/4"	05	Chorus	516-517	4		2
3068	Breather pipe	1909-14	1 1/8" long, brass	15	Chuck	4468	1		
*3069	Crank case	1909-10	Used with No. 3361	12 00	Chunky	1526C	1		
3069 1/2	Crank case front end bearing	1909-14	Riveted on case	1 50	Cicely	801C	1		14
3070	Crank case and cyl. gasket—left	1909-14	Felt	05	Cider	886	1		
3071	Crank case and cyl. gasket—right	1909-14	Felt	05	Cigar	887	1		
3072	Crank case and cyl. cover cap screw	1909-14	3/8" x 1 1/8"	05	Cinter	1388	2		1
3073	Crank case arm bolt and nut—side	1909-14	3/8" x 2 1/4"	10	Cippers	479-8	2		2
3074	Crank case arm bolt and nut—top	1909-14	3/8" x 3 1/2"	05	Circlet	940-8	2		1
3076	Crank case front frame bearing	1909-14	Steel forging	60	Circus	320B	1		1 6
3077	Crank case front bearing cap	1909-14	Steel forging	15	Cizaro	321	1		3
3078	Crank case front bearing screw	1909-14	7/16" x 3/8"	05	Clabber	322	2		1
3079	Crank case oil lock	1909-14	1/2" pipe thds., brass	20	Clammy	1515	2		3
3080	Crank case drain cup plug	1909-14	3/4" x 24 thds.	05	Clapper	817	1		1

*Substitute 3100 and 3376 (or 3376R), write nearest branch or factory for exchange proposition.

Part No.	Name of Part
MOTOR—Continued	
3080B	Crank case drain cup plug gasket
3081	Crank case oil tube
3082	Crank case oil tube clamp
3083	Crank case arm block
3084	Engine pan—right—for left control cars
3084R	Engine pan—right—for right control cars
3085	Engine pan—left—for left control cars
3085R	Engine pan—left—for right control cars
3088	Engine pan bolt and nut
3100	Crank case with lower cover
3101	Crank case lower cover
3101B	Crank case lower cover reinforcement
3102	Crank case lower cover gasket
3103	Crank case lower cover screw
3110	Cylinder valve cover
3111	Cylinder valve cover gasket
3112	Cylinder valve cover stud
3113	Cylinder valve cover nut
COMMUTATOR	
3160	Commutator assembly for left control cars
3160R	Commutator assembly for right control cars
3161 1/2	Com. case with fibre for left control cars
3161 1/2R	Com. case with fibre for right control cars
3162	Com. case support bolt
3163	Com. case spring
3165	Com. brush assembly
3167	Com. roller

Ford Model T

Fac. No.	Req. Per Car	P'k'd in Lots of	Weight Lb. Oz.
424	8	100	5
428	8		
428B	8		
431	8		
425	8		2
429	8		
426	8		2
427B	8		
511	1	25	4 14
4483	1	25	4 14
518	1		4
512B	1	56	2 13
513	6		
514	6		
515	4		3
516-517	4		2
4468	1		
1526C	1		
801C	1		14
886	1		
887	1		
1388	2		1
479-8	2		2
940-8	2		1
320B	1	1	6
321	1		3
322	2		1
1515	2		3
817	1		1

Ford Model T

Always Give Car Number When Ordering Parts

Part No.	Name of Part	Year	Specifications	Price	Code Word	Fac. No.	Req. Per Car	P'k'd In Lots of	Weight Lb. Oz.
MOTOR—Continued									
3080B	Crank case drain cup plug gasket	1909-14		\$ 0 05	Cliff	4339	1		
3081	Crank case oil tube	1909-14	Brass	30	Cleavast	543B	1		5
3082	Crank case oil tube clamp	1909-14		05	Cleaver	548B	1		1
3083	Crank case arm block	1909-14	Wood	05	Clergy	890	2		
3084	Engine pan—right—for left control cars	1909-14		40	Clicket	1330	1	1	11
3084R	Engine pan—right—for right control cars	1909-14		40	Clidor	1826	1		1 10
3085	Engine pan—left—for left control cars	1909-14		40	Clientage	1331B	1		1 10
3085R	Engine pan—left—for right control cars	1909-14		40	Clidust	1825B	1		1 8
3088	Engine pan bolt and nut	1909-14	1/2" x 5/8"	04	Cloggy	1335-1336	6		
3100	Crank case with lower cover	1911-14	Used only with No. 3376	12 00	Closet	1526E	1	6	28
3101	Crank case lower cover	1911-14	6 7/8" x 15 1/2"	60	Closure	1582	1		2 12
3101B	Crank case lower cover reinforcement	1911-14		30	Clothes	1583	1		1 9
3102	Crank case lower cover gasket	1911-14	Felt	10	Clotting	1586	1		
3103	Crank case lower cover screw	1911-14	1/8" x 7/16"	03	Cloudlet	4328	14		
3110	Cylinder valve cover	1911-14	3 3/4" x 8"	20	Clovate	656	2		14
3111	Cylinder valve cover gasket	1911-14	Felt	06	Cloven	660	2		
3112	Cylinder valve cover stud	1911-14	3/8" x 3 5/8"	10	Compone	654	2		2
3113	Cylinder valve cover nut	1911-14	3/8" x 24 thds	05	Comport	517	2		
COMMUTATOR									
3160	Commutator assembly for left control cars	1912-14	Used on cars above 2500.	2 50	Connex	4454-690	1		3 1
3160R	Commutator assembly for right control cars	1912-14	Used on cars above 2500.	2 50	Connigo	4126-4481-690	1		3 9
3161 1/2	Com. case with fibre for left control cars	1912-14	Includes contact points.	90	Congo	4443	1	50	6
3161 1/2R	Com. case with fibre for right control cars	1912-14	Includes contact points.	90	Conorde	4126	1	50	6
3162	Com. case support bolt	1912-14	3/8" x 2 1/4" x 24 thds	05	Connote	4441	1		2
3163	Com. case spring	1912-14	3 1/4" C. to C.	05	Conoid	689	1		1
3165	Com. brush assembly	1912-14		50	Conquest	4481	1		3
3167	Com. roiler	1912-14	1 1/4" o. d., 1/8" long	10	Consense	673	1		

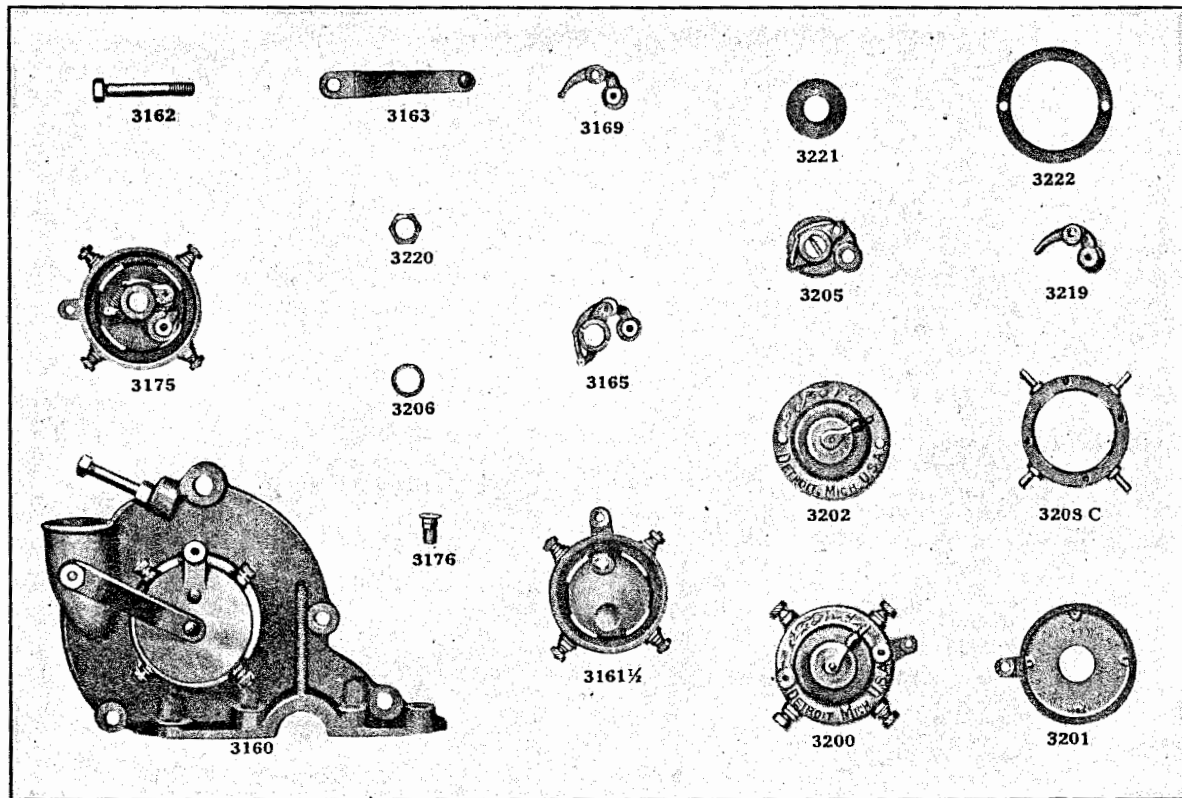


Plate No. 6—Commutator Parts (new style and old style)
(Old style parts listed on page sixty-one)

Ford Model T

Part No.	Name
----------	------

COMMUTATOR—Conti

- 3168... Com. roller pin . . .
- 3169... Com. arm with roll
- 3170... Com. roller arm spi
- 3171... Com. roller pin loc
- 3172... Com. roller bushing
- 3173... Com. arm pin
- 3175... Com. only for left c
- 3175R... Com. only for right
- 3176... Com. oiler
- 3177... Com. felt ring
- 3206... Com. brush cap . . .
- 3207... Com. brush cap pin
- 3210... Com. contact point
- 3211... Com. contact point
- 3212... Com. contact point
- 3220... Com. lock nut

MAGNETO

- *3250B.. Magneto coil assem
- 3250C.. Magneto coil assem
- 3252... Magneto spool sup
- 3254... Magnet bolt
- 3255... Magnet washer
- 3255B.. Magnet bolt washe
- 3256B.. Magnet washer scr
- 3257... Magnet brass supp
- 3257B.. Magnet brass supp
- 3260... Magneto contact a
- 3261... Magneto contact tl
- 3262... Magneto contact s

*We recommend substituti

Part No.	Name of Part	Year	Specifications	Price	Code Word	Fac. No.	No. Req. Per Car	P'k'd in Lots of	Weight Lb. Oz.
COMMUTATOR—Continued									
3168	Com. roller pin	1912-14	$\frac{1}{8}$ " x $\frac{3}{8}$ "	\$ 0	03	Conserve.	675	1	
3169	Com. arm with roller	1912-14		25		Console.	4474	1	
3170	Com. roller arm spring	1912-14	Coil spring	05		Consort	469	1	
3171	Com. roller pin locking pin	1912-14	$\frac{1}{8}$ " x $\frac{1}{4}$ "	01		Constat.	676	1	
3172	Com. roller bushing	1912-14	Brass	06		Consul.	674	1	
3173	Com. arm pin	1912-14	$\frac{1}{8}$ " x $\frac{3}{8}$ "	05		Contex.	476B	1	
3175	Com. only for left control cars	1912-14	Used with No. 3009B	1 50		Cook	4454	1	9
3175R	Com. only for right control cars	1912-14	Used with No. 3009B	1 50		Coolack	4126-4481	1	9
3176	Com. oller	1912-14	$\frac{3}{8}$ " pipe thds.	10		Coomb	2383	1	
3177	Com. felt ring	1909-11	Felt	05		Coombox	474	1	
3206	Com. brush cap	1909-14	$\frac{3}{8}$ " dia.	05		Convert.	468	1	
3207	Com. brush cap pin	1909-14	$\frac{1}{8}$ " x $\frac{3}{8}$ "	01		Convict	466	1	
3210	Com. contact point nut	1909-14	$\frac{1}{8}$ " hex.	02		Cooper	472B	4	
3211	Com. contact point fibre insulator	1911-14	$\frac{3}{8}$ " x $\frac{1}{4}$ " long	05		Copol.	671	4	
3212	Com. contact point thumb nut	1909-14	No. 10, 32 thds.	05		Copeck	467B	4	
3220	Com. lock nut	1909-14	$\frac{1}{8}$ " x 18 thds.	10		Crater	471	1	1
MAGNETO									
*3250B	Magneto coil assembly	1909-10	Used with $\frac{1}{8}$ " magnets	10 00		Coquet	591B	1	
3250C	Magneto coil assembly	1911-14	Used with $\frac{5}{8}$ " magnets	10 00		Corel	591D	1	25 11
3252	Magneto spool support screw	1909-14	$\frac{3}{8}$ " x $\frac{1}{4}$ "	05		Corban	731	4	1
3254	Magnet bolt	1909-14	$\frac{3}{8}$ " x $1\frac{1}{2}$ "	05		Corbeil	537B	16	
3255	Magnet washer	1909-10	$\frac{1}{4}$ " hole, $\frac{5}{8}$ " dia.	05		Corsule	540	16	
3255B	Magnet bolt washer	1911-14	$\frac{3}{8}$ " hole, $\frac{1}{8}$ " dia.	01		Corrupt	624	16	
3256B	Magnet washer screw	1909-10	2" x 24 thds., brass	05		Cordage	541	16	
3257	Magnet brass support	1909-10	$\frac{5}{8}$ " x $\frac{3}{4}$ ", brass	10		Cordial	535B	16	
3257B	Magnet brass support	1911-14	$\frac{5}{8}$ " x $\frac{3}{8}$ ", brass	10		Cordon	535C	16	
3260	Magneto contact assembly	1909-14	On trans. cover	50		Cormus	1545	1	2
3261	Magneto contact thumb nut	1909-14	Brass	10		Cornet	1508	1	
3262	Magneto contact spring	1909-14	Coil spring	05		Cornise	1509	1	

*We recommend substituting magneto of later design (parts 3250C and 3269D) Write factory or nearest branch for exchange proposition



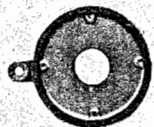
3222



3219



3208 C



3201

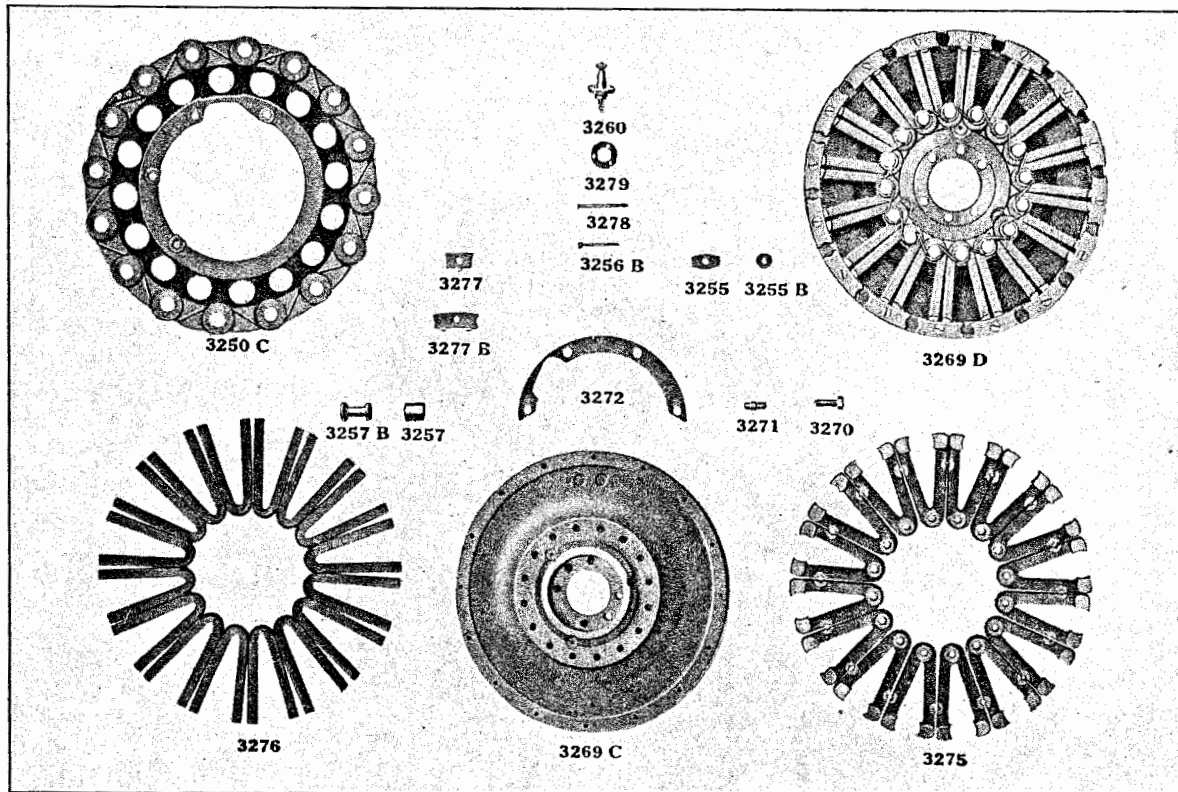


Plate No. 7—Magneto Parts

Part No.	Name of Part
----------	--------------

MAGNETO—Continued

3262B...	Magneto primary contact point....
3264...	Magneto contact tube with fibre...
3266...	Magneto contact fibre screw.....
3269...	Fly wheel.....
3269B...	Fly wheel.....
3269C...	Fly wheel.....
3269D...	Fly wheel with magnets assembled.
3270...	Fly wheel cap screw.....
3271...	Fly wheel dowel pin.....
3272...	Magneto coil support shim.....
*3275...	Magnet (16) per set.....
3276...	Magnet (16) per set.....
3277...	Magnet clamp—short.....
3277B...	Magnet clamp—long.....
3278...	Magnet clamp screw.....
3279...	Magneto contact washer.....

TRANSMISSION

3300...	Transmission assembly.....
3301...	Trans. reverse plate assembly.....
3302...	Trans. reverse plate.....
3303...	Trans. reverse gear.....
3304...	Trans. reverse gear bushing.....
3305...	Trans. rev. s. s. and brake drum riv.
3306...	Trans. slow speed plate assembly...
3307...	Trans. slow speed plate.....
3308...	Trans. slow speed gear.....
3309...	Trans. slow speed gear bushing....

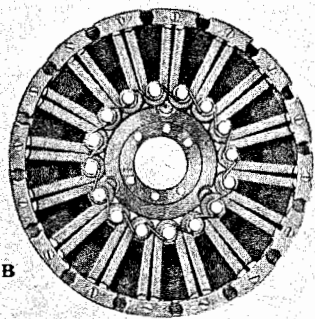
*We recommend substituting magneto of la

Part No.	Name of Part	Year	Specifications	Price	Code Word	Fac. No.	No. Req. Per Car	P'k'd in Lots of	Weight Lb. Oz.
MAGNETO—Continued									
3262B.	Magneto primary contact point.	1909-14	$\frac{3}{8}$ " dia.	\$ 0 05	Corpse	4331	1		
3264.	Magneto contact tube with fibre.	1909-14	$\frac{1}{8}$ " x $1\frac{1}{8}$ "	20	Cortex	1516B	1		2
3266.	Magneto contact fibre screw.	1909-14	$\frac{1}{2}$ " long.	01	Cortile	1505B	3		
3269.	Fly wheel.	1909	Substitute 3250C & 3269D	5 00	Corvine	701A	1		35
3269B.	Fly wheel.	1910	Substitute 3250C & 3269D	5 00	Cosier	701 Spl.	1		35
3269C.	Fly wheel.	1911-14	Used on cars over 20500.	5 00	Cosmic	701B	1		36 $\frac{1}{2}$
3269D.	Fly wheel with magnets assembled.	1911-14	Used with 3250C only.	14 00	Cosming		1		50 $\frac{1}{2}$
3270.	Fly wheel cap screw.	1909-14	$\frac{1}{8}$ " x $1\frac{3}{8}$ "	10	Cossack	721	4		2
3271.	Fly wheel dowel pin.	1909-14	$\frac{3}{16}$ " x $1\frac{1}{8}$ "	10	Costard	722	2		
3272.	Magneto coil support shim.	1909-14	Sheet steel.	10	Costrel	584	1		
*3275.	Magnet (16) per set.	1909-10	Thickness at face $\frac{1}{8}$ "	12 00	Cote	536B(1 set)	16		16
3276.	Magnet (16) per set.	1911-14	Thickness at face $\frac{5}{8}$ "	4 00	Coupon	536C(1 set)	16	10	15
3277.	Magnet clamp—short.	1911-13	Cars above 20500, use with large spool magneto coil	05	Cotland	623	16		
3277B.	Magnet clamp—long.	1914	Use with small spool magneto coil.	05	Cotral	4499	16		
3278.	Magnet clamp screw.	1911-14	$2\frac{3}{8}$ " x 24 thds., brass	05	Cottage	625	16		
3279.	Magneto contact washer.	1909-14	Felt on trans. cover.	01	Cough	560	1		

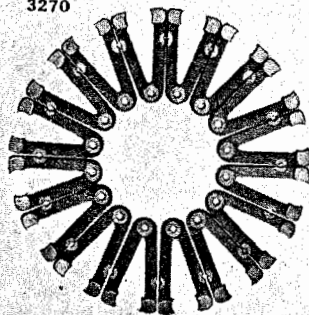
TRANSMISSION

3300.	Transmission assembly.	1909-14		45 00	Delester	774B	1		76
3301.	Trans. reverse plate assembly.	1909-14		3 25	Dacolt	747	1	25	4 $\frac{3}{4}$
3302.	Trans. reverse plate.	1909-14	$1\frac{1}{8}$ " x $7\frac{1}{2}$ "	1 00	Dactyl	702	1	50	2 $\frac{1}{2}$
3303.	Trans. reverse gear.	1909-14	30 teeth.	1 75	Daddock	703	1	50	2
3304.	Trans. reverse gear bushing.	1909-14	$2\frac{1}{8}$ " ream.	50	Daddy	705	1	100	8
3305.	Trans. rev. s. s. and brake drum rivet.	1909-14	$\frac{3}{8}$ " x $1\frac{1}{8}$ "	01	Dado	708	8		
3306.	Trans. slow speed plate assembly.	1909-14		3 50	Dagger	748	1	25	4 $\frac{1}{2}$
3307.	Trans. slow speed plate.	1909-14	$2\frac{1}{8}$ " hole x $7\frac{1}{2}$ " dia.	1 00	Dagon	706	1	50	2 $\frac{1}{2}$
3308.	Trans. slow speed gear.	1909-14	21 teeth.	2 00	Dahline	707	1	50	1 $\frac{3}{4}$
3309.	Trans. slow speed gear bushing.	1909-14	$1\frac{3}{4}$ " ream.	50	Dairy	745	1	100	5

*We recommend substituting magneto of later design (parts 3250C and 3269D) Write factory or nearest branch for exchange proposition



3269 D



3275

Part No.	Name of Part	Year	Specifications	Price	Code Word	Fac. No.	No. Req. Per Car	P'k'd In Lots of	Weight Lb. Oz.
TRANSMISSION—Continued									
3311	Trans. brake drum assembly	1909-14		\$ 2 50	Daklr.	750	1	25	½ 6
3312	Trans. brake drum only	1909-14	1 11/16" hole x 7 1/2" dia.	1 00	Dakolt.	709	1	50	4 1/2
3313	Trans. triple gear assembly	1909-14		4 00	Dallop.	751B	3	50	2
3314	Trans. triple gear bushing	1909-14	1" dia. x 1 1/8" long.	30	Dally.	716A	3		3
3314 1/2	Trans. triple gear flanged bushing	1909-14	1 1/8" dia. x 1 3/8"	30	Dalriad	716B	3		4
3315	Trans. triple gear shaft	1909-14	1 1/8" dia. x 2 1/2"	30	Dalrotz	715	3		4
3316	Trans. triple gear riveting pin	1909-14	1/8" x 1 1/8"	02	Damar	720	24		
3317	Trans. driven gear	1909-14	27 teeth	1 00	Demask	713	1	50	13
3318	Trans. driven gear key	1909-14	"B" Woodruff key	05	Dampen	714	2		
3319	Trans. driven gear sleeve (on brake drum)	1909-14	3 1/8" dia. x 3 1/8"	1 00	Damplsh.	710	1		2
3320	Trans. driven gear sleeve bushing	1909-14	1" ream x 1 1/8" flange 2"	50	Dander	754	1		3
3320C	Trans. driven gear sleeve bushing	1909-14	1 1/2" long.	30	Dark	712	1		3
3321	Trans. driving plate assembly	1909-14		4 00	Dannock	749	1	25	5 1/2
3323	Trans. driving plate screw	1909-14	3/8" x 1 1/8"	06	Daphine	731	6		
3324	Trans. driving plate key	1909-14	"A" Woodruff	05	Dapple	734	1		
3325	Trans. driving plate rivet	1909-14	3/8" x 5/8"	01	Darner	736	8		
3326	Trans. driving plate hub	1909-14	1 1/8" ream x 5 1/8"	1 50	Darro.	743	1		2
3327	Trans. driving plate bushing	1909-14	1 1/8" O. D. x 2" long.	30	Darsis	724	1		3
3328	Trans. thrust plate—small	1909-14	6" dia.	10	Dauphin	727	13		2
3329	Trans. thrust plate—large	1909-14	6 1/4" dia.	10	Davine	728	13		3
3330	Trans. distance plate	1909-14	6" O. D.	15	Decry	729	1		7
3331	Trans. gear shaft	1909-14	1" dia. x 7 1/2" over all	2 50	Decurt	723B	1		2 1/2
3332	Trans. clutch disc drum	1909-14	4 1/8" dia.	1 50	Deeply	725B	1	25	1 13
3333	Trans. clutch disc drum key	1909-14	"C" Woodruff	10	Defalk	726B	1		
3334	Trans. clutch disc drum set screw	1909-14	3/8" x 3/4"	05	Defeat	752	1		
3336	Trans. clutch push ring	1909-14	6 1/8" O. D.	1 50	Defile	704	1	25	1 1
3337	Trans. clutch finger	1909-14		30	Define	732B	3		3
3337 1/2	Trans. clutch finger screw	1909-14	3/8" x 3/4" x 21 thds.	05	Deflour	756	3		
3337 3/4	Trans. clutch finger washer	1909-14	1/2" hole, 1/2" dia.	01	Deforce	759	3		
3338	Trans. clutch finger pin	1909-14	1/8" x 1 1/8"	05	Deform	735	3		1
3340	Trans. clutch spring	1909-14	2 3/8" dia. x 2 3/4" long.	30	Defoue	737	1	100	8

Part No.	Name of Pa
----------	------------

TRANSMISSION CONTROL

3402	Clutch lever shaft for left
3402R	Clutch lever shaft for right
3402B	Clutch lever shaft for left
3402RB	Clutch lever shaft for right
3403	Clutch lever screw and nut
3405	Clutch lever pin
3406	Clutch release fork—right
3408	Clutch release fork key
3409	Clutch release fork clam
3410	Clutch release fork pin
3411	Clutch lever clevis pin
*3413	Transmission band assembly
3414	Trans. band ear
3415	Trans. band washer
3416	Trans. band lining
3419	Trans. band adjusting screw
3420	Trans. band adjusting screw
3421B	Trans. band ear iron rivet
3422B	Trans. band brass rivet
3423B	Trans. band brass rivet
3425	Trans. band spring
3426	Trans. band adjusting nut
3427	Slow speed shaft for left
3427R	Slow speed shaft for right
3428	Slow speed notch for left
3428R	Reverse and brake notch control cars
3429	Slow speed notch pin
3432	Speed lever
3434	Reverse pedal for left control cars
3434R	Reverse pedal for right control cars
3435	Brake and reverse pedal control cars
3435R	Brake and reverse pedal control cars

*Transmission bands required

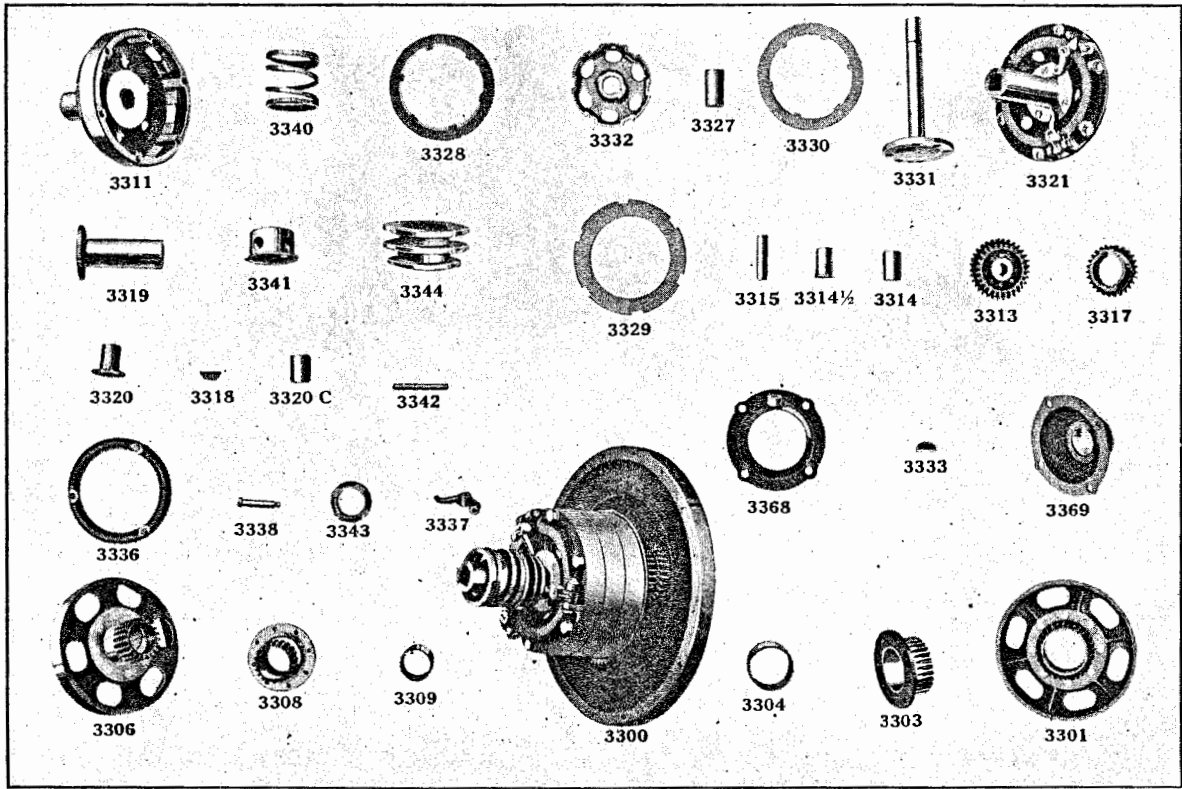
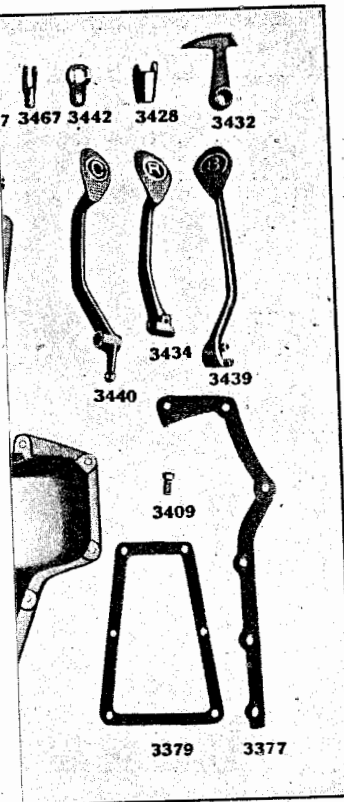


Plate No. 8—Transmission Parts

Code Word	Fac. No.	No. Req. Per Car	P'k'd in Lots of	Weight Lb. Oz.
Dakir.....	750.....	1.....	25.....	½ 6
Dakott.....	709.....	1.....	50.....	4½
Dallop.....	751B.....	3.....	50.....	2
Dally.....	716A.....	3.....		3
Dalriad.....	716B.....	3.....		4
Dalrotz.....	715.....	3.....		4
Damar.....	720.....	24.....		
Demask.....	713.....	1.....	50.....	13
Dampen.....	714.....	2.....		
Dampish.....	710.....	1.....	2.....	
Dander.....	754.....	1.....		3
Dark.....	712.....	1.....		3
Dannock.....	749.....	1.....	25.....	5½
Daphine.....	731.....	6.....		
Dapple.....	734.....	1.....		
Darner.....	736.....	8.....		
Darro.....	743.....	1.....	2.....	
Darsis.....	724.....	1.....		3
Dauphin.....	727.....	13.....		2
Davine.....	728.....	13.....		3
Decry.....	729.....	1.....		7
Decurt.....	723B.....	1.....		2½
Deeply.....	725B.....	1.....	25.....	1 13
Defalk.....	726B.....	1.....		
Defeat.....	752.....	1.....		
Defile.....	704.....	1.....	25.....	1 1
Define.....	732B.....	3.....		3
Deflour.....	756.....	3.....		
Deforce.....	759.....	3.....		
Deform.....	735.....	3.....		1
Defoue.....	737.....	1.....	100.....	8

Part No.	Name of Part	Year	Specifications	Price	Code Word	Fac. No.	No. Req. Per Car	P'k'd in Lots of	Weight Lb. Oz.
TRANSMISSION CONTROL									
3402.....	Clutch lever shaft for left control cars.	1909-12	5/8" x 9 7/8"	\$ 0	25	Dermal.....	833B.....	1.....	14
3402R.....	Clutch lever shaft for right control cars.	1909-12	5/8" x 9 7/8"		25	Derquit.....	1851.....	1.....	14
3402B.....	Clutch lever shaft for left control cars.	1913-14	5/8" x 9 7/8"		25	Dersot.....	4344.....	1.....	14
3402RB.....	Clutch lever shaft for right control cars.	1913-14	5/8" x 9 7/8"		25	Dertal.....	4155.....	1.....	14
3403.....	Clutch lever screw and nut	1909-14	3/8" x 1 1/8"		10	Dervish.....	1541-1542	1.....	
3405.....	Clutch lever pin	1909-14	3/4" x 1 1/8"		03	Detour.....	1554.....	1.....	
3406.....	Clutch release fork—right or left	1909-14			30	Detrude.....	4345.....	2.....	3
3408.....	Clutch release fork key	1909-14	No. 7 Woodruff		05	Dilate.....	836.....	2.....	
3409.....	Clutch release fork clamp screw	1909-12	3/8" x 1 1/8"		05	Dipper.....	835.....	2.....	
3410.....	Clutch release fork pin	1913-14	1/4" x 1"		02	Direct.....	1553.....	2.....	
3411.....	Clutch lever clevis pin	1909-14	5/8" x 1"		02	Disbase.....	65.....	1.....	
*3413.....	Transmission band assembly	1909-14		1	00	Disblame.....	838B.....	3.....	100 1 4
3414.....	Trans. band ear	1909-14			20	Discerp.....	839B.....	6.....	4
3415.....	Trans. band washer	1909-14	2 1/4" hole x 3/8" dia.		02	Discure.....	840.....	2.....	
3416.....	Trans. band lining	1909-14	5/8" x 1 1/8" x 23 3/8"		30	Disedge.....	1562.....	3.....	500 3
3419.....	Trans. band adjusting screw	1909-14	3/4" x 3 1/8"		10	Disfrair.....	1533.....	1.....	6
3420.....	Trans. band adjusting screw nut	1909-14	3/4" x 16 thds.		05	Disilimb.....	1532.....	1.....	1
3421B.....	Trans. band ear iron rivet, per doz.	1909-14	3/8" x 3/8"		02	Dismal.....	843.....	18.....	
3422B.....	Trans. band brass rivet, per doz.	1909-14	3/4" x 1/2"		05	Dismast.....	844B.....	6.....	
3423B.....	Trans. band brass rivet, per doz.	1909-14	3/4" x 5/16"		05	Dismaw.....	845B.....	18.....	
3425.....	Trans. band spring	1909-14	Coil		05	Dispark.....	841B.....	3.....	
3426.....	Trans. band adjusting nut	1909-14	1/8" x 20 thds.		3	Displat.....	851.....	2.....	1
3427.....	Slow speed shaft for left control cars.	1909-14	5/8" x 9 5/8"		30	Disputz.....	848B.....	1.....	13
3427R.....	Slow speed shaft for right control cars.	1909-14	5/8" x 9 5/8"		30	Disfait.....	1814.....	1.....	11
3428.....	Slow speed notch for left control cars.	1909-14	On controller shaft		35	Distrand.....	4327.....	1.....	8
3428R.....	Reverse and brake notch for right control cars.	1909-14	On reverse and brake shafts		35	Distack.....	4114.....	2.....	8
3429.....	Slow speed notch pin	1909-14	1/4" x 1 1/8"		03	Disrobe.....	1560.....	1.....	
3432.....	Speed lever	1909-14	On controller shaft		40	Distaff.....	862B.....	1.....	9
3434.....	Reverse pedal for left control cars.	1909-14			75	Disting.....	4324.....	1.....	1 3
3434R.....	Reverse pedal for right control cars.	1909-14			75	Distold.....	1812.....	1.....	1
3435.....	Brake and reverse pedal shaft for left control cars.	1909-14	5/8" dia. x 7 1/8"		20	Distrite.....	849B.....	2.....	9
3435R.....	Brake and reverse pedal shaft for right control cars.	1909-14	5/8" dia. x 7 1/8"		20	Distrot.....	1815.....	2.....	12

*Transmission bands requiring new linings will be exchanged at factory or any branch for .50 each.

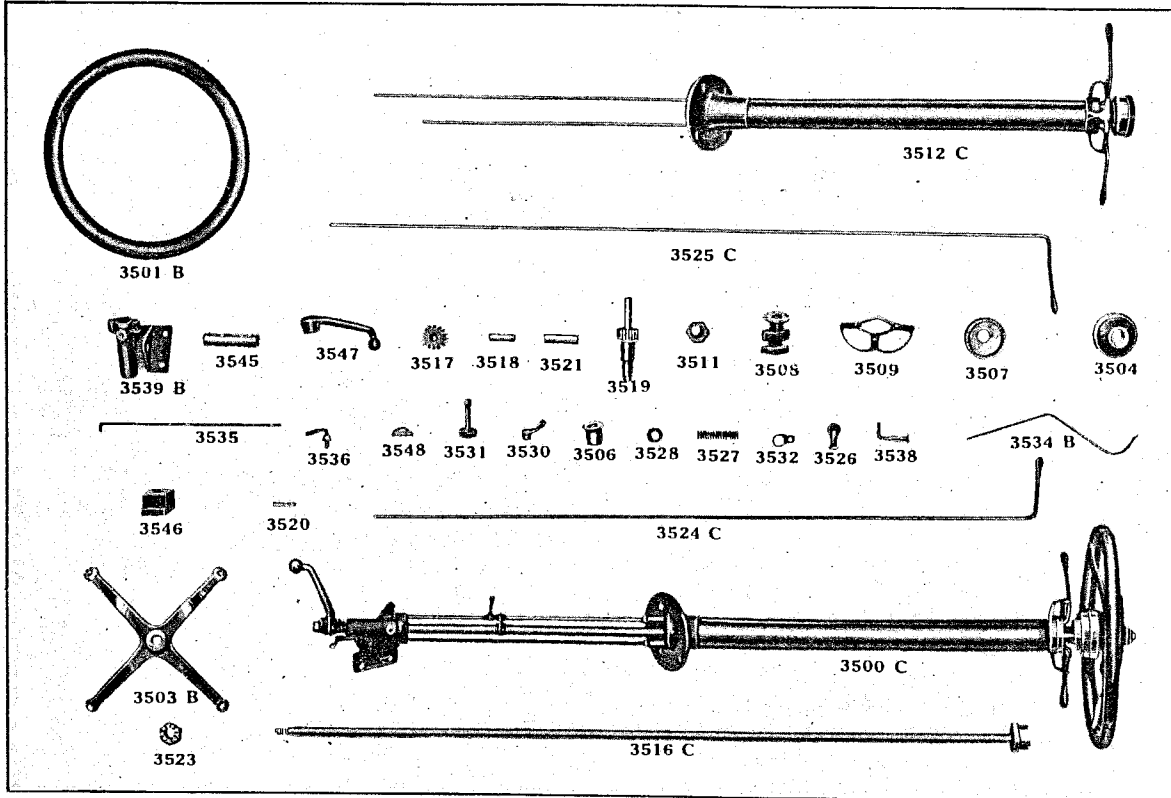


Plate No. 10—Steering Gear Parts

Ford Model T

Part No. Name of Part

TRANSMISSION CONTROL—C

- 3436... Brake and reverse pedal supp
- 3437... Brake and reverse support bol
- 3439... Brake pedal for left control c
- 3439R... Brake pedal for right control
- 3440... Clutch pedal for left control
- 3440R... Clutch pedal for right contro
- 3441... Pedal pin.....
- 3442... Clutch pedal support.....
- 3443... Clutch pedal support bolt an
- 3445... Slow speed connection.....
- 3446... Slow speed con. lock nut...
- 3447... Slow speed con. clevis.....
- 3448... Controller quadrant for l
- cars.....
- 3448R... Controller quadrant for rig
- cars.....
- 3449... Controller shaft with speed
- left control cars.....
- 3449R... Controller shaft with spee
- right control cars.....
- 3450... Controller shaft bracket....
- 3451... Controller shaft bracket felt
- 3452... Controller shaft bracket bol
- 3455... Hand brake lever assembly f
- trol cars.....
- 3455R... Hand brake lever assembl
- control cars.....
- 3456... Hand brake lever pin.....
- 3457... Hand brake lever key.....
- 3458... Hand brake lever pawl.....
- 3459... Hand brake lever pawl pin..
- 3460... Hand brake lever pawl rod..
- 3462... Hand brake lever pawl lift..
- 3462 1/2... Hand brake lever pawl lift p
- 3463... Hand brake lever pawl lift s
- 3465... Hub brake lever on controlle
- 3466... Hub brake lever clevis pin..

Ac. No. Req. P'k'd in Weight p. Per Car Lots of Lb. Oz.
738..... 1..... 3
739..... 1..... 1
740..... 1..... 5
733..... 1..... 15
826C..... 1..... 9 1/2...
805A..... 1..... 9 1/2...
825B-8..... 10..... 1
872B..... 1.....
546C..... 1..... 14
547B..... 1.....
564..... 6.....
818..... 1..... 50..... 1.....
819D..... 1..... 50..... 1..... 13
731..... 2.....
79-8..... 2.....
854..... 2.....
567-1388..... 2.....
26D..... 1..... 10..... 10..... 9
805B..... 1..... 10..... 10..... 9
885B..... 2.....
46D..... 1..... 1..... 7
47C..... 1.....
41..... 1..... 8
806B..... 1..... 5

Part No.	Name of Part	Year	Specifications	Price	Code Word	Fac. No.	No. Req. Per Car	P'k'd in Lots of	Weight Lb. Oz.
STEERING GEAR—Continued									
3510.....	Steering gear quadrant pin.....	1909-14.....	3/8" x 1 1/4" brass.....	\$ 0 03.....	Eden.....	907.....	2.....
3511.....	Steering gear wheel nut.....	1909-14.....	5/8" x 16 thds.....	20.....	Edict.....	913.....	1.....	1
*3512.....	Steering gear tubing assembly for left control cars.....	1909-10.....	.26 1/2" applies to No. 3500.....	8 00.....	Edile.....	964A.....	1.....	7.....
*3512R.....	Steering gear tubing assembly for right control cars.....	1909-10.....	.26 1/2" applies to No. 3500R.....	8 00.....	Edimist.....	1882A.....	1.....	7.....
*3512B.....	Steering gear tubing assembly (Old No. 3554) for left control cars.....	1911.....	.29 1/4" applies to No. 3500B.....	8 00.....	Ethic.....	964B.....	1.....	8 1/4.....
*3512RB.....	Steering gear tubing assembly for right control cars.....	1911.....	.29 1/4" applies to No. 3500RB.....	8 00.....	Ethicest.....	1882B.....	1.....	8 1/4.....
*3512C.....	Steering gear tubing assembly (Old No. No. 3554B) for left control cars.....	1912-14.....	.31 1/2" applies to No. 3500C.....	8 00.....	Ethicer.....	5016.....	1.....	8 3/4.....
*3512RC.....	Steering gear tubing assembly for right control cars.....	1912-14.....	.31 1/2" applies to No. 3500RC.....	8 00.....	Ethick.....	4106.....	1.....	8 3/4.....
*3512D.....	Steering gear tubing assembly (Old No. 3576) for left control cars.....	1911.....	.34 1/2" applies to No. 3500D.....	8 00.....	Euryale.....	5011.....	1.....	9.....
*3512RD.....	Steering gear tubing assembly for right control cars.....	1911.....	.34 1/2" applies to No. 3500RD.....	8 00.....	Eusten.....	4107.....	1.....	9.....
3513.....	Steering tubing flange screw.....	1909-10.....	1/8" x 1 1/8" brass.....	05.....	Educe.....	927.....	4.....
3513B.....	Steering tubing flange screw (Old No. 3555).....	1911-14.....	5/8" x 1 5/8".....	05.....	Ethule.....	954.....	1.....
3513C.....	Steering tubing flange screw (Old No. 3556).....	1911-14.....	5/8" x 1 5/8".....	05.....	Ettle.....	956.....	3.....
3514.....	Steering tubing flange screw nut.....	1909-14.....	05.....	Ettlox.....	926.....	4.....
3516.....	Steering gear post.....	1909-10.....	.50 1/4" applies to No. 3500.....	2 00.....	Elfray.....	915A.....	1.....	6 1/2.....
3516B.....	Steering gear post (Old No. 3553).....	1911.....	.52 1/4" applies to No. 3500B.....	2 00.....	Estrick.....	915B.....	1.....	6 3/4.....
3516C.....	Steering gear post (Old No. 3553B).....	1912-14.....	.53 3/4" applies to No. 3500C.....	2 00.....	Estricked.....	5002.....	1.....	7.....
3516D.....	Steering gear post (Old No. 3577).....	1911.....	.57 3/4" applies to No. 3500D.....	2 00.....	Eutaxy.....	959.....	1.....	7 1/2.....
3517.....	Steering gear pinion, each.....	1909-14.....	12 teeth.....	25.....	Egad.....	916.....	3.....	1
3518.....	Steering gear pinion pin.....	1909-14.....	3/8" x 1 3/8".....	05.....	Egest.....	917.....	3.....
3519.....	Steering gear driving pinion.....	1909-14.....	12 teeth.....	75.....	Egger.....	911.....	1.....	8
3520.....	Steering gear drive pinion key.....	1909-14.....	1/8" sq. x 3 1/2".....	05.....	Egma.....	909.....	2.....
3521.....	Steering gear pinion shaft bushing.....	1909-14.....	7/8" bore x 1 1/2".....	20.....	Egress.....	912.....	1.....	1
3523.....	Steering gear post castle nut.....	1909-14.....	1/2" x 20 thds.....	05.....	Eider.....	60.....	1.....
3524.....	Throttle rod for left control cars.....	1909-10.....	.44 1/2" applies to 3500.....	40.....	Eisel.....	933A.....	1.....	15
3524R.....	Throttle rod for right control cars.....	1909-10.....	.44 1/2" applies to 3500R.....	40.....	Eiseller.....	1853A.....	1.....	15

*Lengths of steering gear tubing assemblies measured from top of gear case to lower edge of flange.

Price	Code Word	Fac. No.	No. Req. Per Car	P'k'd in Lots of	Weight Lb. Oz.
\$ 0 20	Dragon	802	2		3
45	Drongo	891B	1	50	1 4
45	Dropax	1513B	1	50	1 4
15	Dropsy	1367C	1		6
15	Druggier	1398C	1		6
05	Duchess	1399B-1900	2		
16 00	Eagle	900A	1		20 1/2
16 00	Eamlet	1858A	1		20 1/2
16 00	Estop	900B	1		21
16 00	Estopar	1858B	1		21
16 00	Estoped	5005	1		21
16 00	Estopper	4123	1		21
16 00	Eurus	979	1		22
16 00	Eurusten	1894	1		22
1 00	Easter	901A	1		1 1/4
1 00	Estrade	901B	1		1 1/2
02	Eblis	919	4		
1 00	Ebony	902A	1		1 1/2
1 00	Estrepe	902B	1		1 1/2
80	Ecbole	903	1		9
02	Eccope	910	1		
20	Echo	914	1		1
1 00	Eclat	904	1		11
80	Eclipse	905A	1		10
80	Ectype	906	1		8

lower end of steering gear post.

Part No	Name of Part	Year	Specifications	Price	Code Word	Fac. No.	No. Req. Per Car	P'k'd in Lots of	Weight Lb. Oz.
3524B	Throttle rod (Old No. 3560) for left control cars	1911	46 11/16" applies to 3500B	\$ 0 40	Etivee	933B	1		1
3524RB	Throttle rod for right control cars	1911	46 11/16" applies to 3500RB	40	Etivest	1853B	1		1
3524C	Throttle rod (Old No. 3560B) for left control cars	1912-14	47 3/4" applies to 3500C	40	Etiveed	5003	1		1
3524RC	Throttle rod for right control cars	1912-14	47 3/4" applies to 3500RC	40	Etivin	4117	1		1
3524D	Throttle rod (Old No. 3578) for left control cars	1911	52 1/8" applies to 3500D	40	Euterpe	957	1		1 2
3524RD	Throttle rod for right control cars	1911	52 1/8" applies to 3500RD	40	Euterst	1873	1		1 2
3525	Lead rod for left control cars	1909-10	48 1/8" applies to 3500	40	Elder	934A	1		1
3525R	Lead rod for right control cars	1909-10	48 1/8" applies to 3500R	40	Eldest	1854A	1		1
3525B	Lead rod (Old No. 3561) for left control cars	1911	50 1/8" applies to 3500B	40	Eupolis	934B	1		1 1
3525RB	Lead rod for right control cars	1911	50 1/8" applies to 3500RB	40	Eupollan	1854B	1		1 1
3525C	Lead rod (Old No. 3561B) for left control cars	1912-14	51 1/8" applies to 3500C	40	Eupoliser	5004	1		1 2
3525RC	Lead rod for right control cars	1912-14	51 1/8" applies to 3500RC	40	Eupolter	4118	1		1 2
3525D	Lead rod (Old No. 3579) for left control cars	1911	55 5/8" applies to 3500D	40	Evangel	958	1		1 4
3525RD	Lead rod for right control cars	1911	55 5/8" applies to 3500RD	40	Evangst	1872	1		1 4
3526	Lead and throttle handle	1909-12	17/8" long, rubber	20	Elfin	918	2		
3527	Lead and throttle rod spring	1909-14		05	Elite	935	2		
3528	Lead and throttle rod collar	1909-14	1/8" bore x 1/8"	05	Elope	936	2		
3529	Lead and throttle rod pin	1909-14	3/2" x 1/8"	02	Elvan	937	2		
3530	Lead rod lever	1909-14		20	Embank	946	1		
3531	Throttle rod lever for left control cars	1909-14		25	Ember	947	1		
3531R	Throttle rod lever for right control cars	1909-14		25	Embalm	1896	1		
3532	Throttle rod guide	1909-14	3/4" bore	25	Emblem	938	1		
3534	Commutator pull rod for left control cars	1909-11	14" long	20	Emboil	1325B	1		2
3534R	Commutator pull rod for right control cars	1909-11	14" long	20	Embogy	1856	1		2
3534B	Commutator pull rod for left control cars	1912-14		20	Embrace	2082	1		2
3534RB	Commutator pull rod right control cars	1912-14		20	Embrone	4129	1		2
3535	Carburetor pull rod for left control cars	1909-14	13 11/16" long	20	Emboss	1329B	1		2
3535R	Carburetor pull rod for right control cars	1909-14	13 11/16" long	20	Embow	1855B	1		2
3536	Ball and socket joint	1909-14		20	Embrald	1326	2		
3537	Ball and socket joint nut	1909-14	1/2" x 32 thds	03	Embrute	1327	2		
3538	Carburetor pull rod adjustment	1909-14	1/2" x 32 thds	15	Empale	1904	1		

Part No.	Name of Part	Year	Specifications	Price	Code Word	Fac. No.	No. Req. Per Car.	P'k'd in Lots of	Weight Lb. Oz.
STEERING GEAR—Continued									
3539	Steering post bracket with bushing for left control cars	1909-10		\$ 1 50	Empeach	932A	1		1 3/4
3539R	Steering post bracket with bushing for right control cars	1909-10		1 50	Entrance	1824A	1		1 3/4
3539B	Steering post bracket with bushing for left control cars	1911-14	Touring (Old No. 3562)	1 50	Eupon	932B	1		1 3/4
3539RB	Steering post bracket with bushing for right control cars	1911-14	Touring	1 50	Euston	1824B	1		1 3/4
3539C	Steering post bracket with bushing for left control cars	1911	Runabout (Old No. 3580)	1 50	Exile	953	1		1 3/4
3539RC	Steering post bracket with bushing for right control cars	1911	Runabout	1 50	Extern	1833	1		1 3/4
3540	Steering post bracket bolt	1909-14	3/8" x 2 1/4"	15	Empearl	479	1		
3541	Steering post bracket bolt and nut	1909-14	3/8" x 3 1/2"	05	Endive	940-8	2		
3544	Steering post bracket felt washer	1909-14		05	Endow	943	1		
3545	Steering post bracket bushing	1909-14	3/4" bore, brass	60	Envault	944	1		
3546	Steering post bracket block	1909-14	Wood	10	Empact	945	1		
3547	Steering gear ball arm	1909-14		75	Eparch	929B	1		12
3548	Steering gear ball arm key	1909-14	Woodruff	05	Ephod	930	1		
3563	Steering post bracket grease cup	1909-14	1/8" pipe thds.	15	Eurite	76	1		1

BODY PARTS

3601B	Body bracket on body	1910-14		10	Fabric	1624	6		
3601C	Body bracket on frame (Old No. 3765)	1911-13	Rear only	40	Faber	2435	2		
3602D	Body bracket con. bolt and nut	1909-14	Specify size.	05	Facade		4		
3611	Tonneau door handle	1910-11	3 1/2" long, brass	60	Fairy	1443	2		
3611B	Door knob	1912	Front doors	15	Faro	2620	2		
3617B	Tonneau door hinge assembly—right	1909-12		1 00	Flavor	1632	1		
3618B	Tonneau door hinge assembly—left	1909-12		1 00	Flogger	1633	1		
3618C	Door hinge assembly	1913-14	Touting and Torpedo	1 00	Flora	5394	2 or 4		
3624	Front floor rubber matting for left control cars	1909-12	31 3/8" x 27 7/8"	2 00	Fardel	1616	1		7 1/4
3624R	Front floor rubber matting for right control cars	1909-12	31 3/8" x 27 7/8"	2 00	Fardy	1838	1		7 1/4
3624B	Front floor rubber matting (Old No. 3712B) for left control cars	1912	Runabout	2 00	Fitch	5215	1		7 1/4

Part No.	Name of Part
BODY PARTS—Continued	
3624RB	Front floor rubber matting for left control cars
3624C	Front floor rubber matting for left control cars
3624RC	Front floor rubber matting for left control cars
3624D	Front floor rubber matting (Old No. 3712B) for left control cars
3624RD	Front floor rubber matting for left control cars
3626	Floor board (first from dash) for control cars
3626R	Floor board (first from dash) for control cars
3627	Floor board (second) for left control cars
3627R	Floor board (second) for right control cars
3628	Floor board (third) for left control cars
3628R	Floor board (third) for right control cars
3629	Floor board (fourth)
3630	Floor board forward plate for pedals
3632	Floor board rear plate for pedals
3633	Floor board plate for side lever
3634	Dash for left control cars
3634R	Dash for right control cars
3634B	Dash (Old No. 3750) for left control cars
3634RB	Dash for right control cars
3634C	Dash (Old No. 3750B)
3634D	Dash
3635	Dash brass moulding
3635B	Dash brass moulding (Old No. 3750)
3635C	Dash brass moulding (Old No. 3750)
3635D	Dash brass moulding
3638	Dash shield
3639	Dash shield guide
3640	Dash bracket—left

No. Req. Per Car.	P'k'd in Lots of	Weight Lb. Oz.
-------------------	------------------	----------------

2A.....	1.....	1¾....
1A.....	1.....	1¾....
2B.....	1.....	1¾....
1B.....	1.....	1¾....
3.....	1.....	1¾....
3.....	1.....	1¾....
1-8.....	2.....
.....	1.....
.....	1.....
.....	1.....
B.....	1.....	12.....
.....	1.....
.....	1.....	1.....
.....
.....	6.....
.....	2.....
.....	4.....
.....	2.....
.....	2.....
.....	1.....
.....	1.....
.....	2 or 4.....
.....	1.....	7¼....
.....	1.....	7¼....
.....	1.....	7¼....

Part No.	Name of Part	Year	Specifications	Price	Code Word	Fac. No.	No. Req. Per Car	P'k'd in Lots of	Weight Lb. Oz.
3624RB.	Front floor rubber matting for right control cars.	1912.....	Runabout.....	\$ 2 00	Fitter.....	4119.....	1.....	7¼....
3624C.	Front floor rubber matting for left control cars.	1913-14.....	27 ⁷ / ₁₆ " x 29 ³ / ₁₆ "	2 00	Fiton.....	5401L.....	1.....	25..	7
3624RC.	Front floor rubber matting for right control cars.	1913-14.....	27 ⁷ / ₁₆ " x 29 ³ / ₁₆ "	2 00	Fitting.....	5401R.....	1.....	25..	7
3624D.	Front floor rubber matting (Old No.4420) for left control cars.	1912.....	Delivery car.....	1 00	Fixit.....	5251.....	1.....	7
3624RD.	Front floor rubber matting for right control cars.	1912.....	Delivery car.....	1 00	Firser.....	4132.....	1.....	7
3626.....	Floor board (first from dash) for left control cars.	1909-14.....	35	Farness.....	1098B.....	1.....
3626R.	Floor board (first from dash) for right control cars.	1909-14.....	35	Farm.....	1803.....	1.....
3627.....	Floor board (second) for left control cars	1909-14.....	Specify size.....	35	Farrier.....	1402B.....	1.....
3627R.	Floor board (second) for right control cars.	1909-14.....	Specify size.....	35	Farren.....	1801.....	1.....
3628.....	Floor board (third) for left control cars.	1909-14.....	Specify size.....	35	Fasces.....	1404B.....	1.....
3628R.	Floor board (third) for right control cars	1909-14.....	Specify size.....	35	Fasten.....	1802.....	1.....
3629.....	Floor board (fourth)	1909-14.....	Specify size.....	35	Fastl.....	1403B.....	1.....
3630.....	Floor board forward plate for pedals.....	1909-14.....	2 ¹ / ₁₆ " x 3 ¹ / ₂ "	40	Fateful.....	1400C.....	1.....
3632.....	Floor board rear plate for pedals.....	1909-14.....	2 ¹ / ₁₆ " x 4 ¹ / ₂ "	50	Father.....	1095C.....	1.....
3633.....	Floor board plate for side lever.....	1909-14.....	2 ³ / ₈ " x 8 ³ / ₄ "	35	Fathom.....	1094B.....	1.....
3634.....	Dash for left control cars.....	1909-10.....	¾" x 21 ¹ / ₂ " x 31 ¹ / ₁₆ "	5 00	Fatting.....	1091A.....	1.....	8
3634R.	Dash for right control cars.....	1909-10.....	¾" x 21 ¹ / ₂ " x 31 ¹ / ₁₆ "	5 00	Fattler.....	1830A.....	1.....	8
3634B.	Dash (Old No.3750) for left control cars.	1911.....	21 ¹ / ₄ " x 31 ¹ / ₁₆ "	5 00	Flamen.....	1091B.....	1.....	8
3634RB.	Dash for right control cars.....	1911.....	21 ¹ / ₄ " x 31 ¹ / ₁₆ "	5 00	Flamist.....	1830B.....	1.....	8
3634C.	Dash (Old No. 3750B)	1912.....	23" x 32 ¹ / ₄ "	5 00	Flamemer.....	5257.....	1.....	8
3634D.	Dash.....	1913-14.....	21 ¹ / ₂ " x 32 ¹ / ₄ "	5 00	Flamgo.....	5336.....	1.....	8
3635.....	Dash brass moulding.....	1909-10.....	73 ¹ / ₁₆ " long, ¾" wide.....	1 00	Flatlute.....	1063A.....	1.....
3635B.	Dash brass moulding (Old No. 3753)	1911.....	73 ¹ / ₁₆ " long, ¾" wide.....	1 00	Flattish.....	1063B.....	1.....
3635C.	Dash brass moulding (Old No. 3753B)	1912.....	Used on square dash.....	1 00	Flattisher.....	5275.....	1.....
3635D.	Dash brass moulding.....	1913-14.....	1 00	Flatterer.....	5426.....	1.....
3638.....	Dash shield.....	1909-14.....	½" x 3 ⁷ / ₈ " x 13 ³ / ₄ "	20	Faubit.....	1097B.....	1.....
3639.....	Dash shield guide.....	1909-12.....	¾" x 1" x 14"	20	Fausen.....	1093B.....	1.....
3640.....	Dash bracket—left.....	1909-10.....	10"	30	Faucal.....	1017A.....	1.....	12

Part No.	Name of Part	Year	Specifications	Price	Code Word	Fac. No.	No. Req. Per Car	P'k'd in Lots of	Weight Lb. Oz.
3640B.	Dash bracket—left (Old No. 3751)	1911-14.	10 3/8"	\$ 0 50	Flanker.	1017B.	1		12
3641.	Dash bracket—right	1909-10.	10"	30	Faula.	1018A.	1		12
3641B.	Dash bracket—right (Old No. 3752)	1911-14.	10 3/8"	50	Flannel.	1018B.	1		12
3642.	Dash bracket bolt and nut	1909-14.	3/8" x 7/8" on frame	05	Faunlst.	1028-8.	4		
3645.	Dash bracket bolt and nut	1909-14.	5/8" x 1 3/8" x 18 thds on dash	05	Favos.	2427-926.	5		
3651.	Dash to body bracket	1909-14.	1/8" x 1 3/8" x 4 5/8"	15	Febid.	1489	2		
3652.	Dash to body bracket bolt and nut	1909-14.	1/4" x 1 3/4" on body	05	Feckless.	1490-1309.	4		
3653.	Dash to body bracket bolt and nut	1909-14.	1/4" x 1 1/4" on dash	05	Fecula.	1684-1309.	4		
3655.	Oil lamp bracket—right	1909-14.	Touring cars.	30	Feline.	1497	1	1	1
3656.	Oil lamp bracket—left	1909-14.	Touring cars.	30	Felsire.	1498	1	1	1
3657.	Oil lamp bracket screw and nut	1909-14.	1/4" x 1 1/8"	10	Felwort.	1603	4		
3660.	Tall lamp bracket	1909-12.		25	Fennel.	1613	1		
3660B.	Tail lamp bracket	1913-14.	Touring car	25	Fenor.	5442	1		13
3660C.	Tail lamp bracket (Old No. 4421)	1912.	Delivery car	25	Fern.	5262	1		
3661.	Tail lamp bracket bolt and nut	1909-14.	1/4" x 1 1/2"	05	Ferial.	1614A-1309.	2		
3663.	Gas lamp bracket (right)	1909-14.		75	Fertile.	1301B.	1	1	3
3664.	Gas lamp bracket (left)	1909-14.		75	Fervid.	1348B.	1	1	3
3665.	Gas lamp bracket nut	1909-14.	1/2" x 20 thds.	05	Festal.	60	2		
3667.	Front seat cushion	1910.		10 00	Festoon.	1626A.	1		
3667B.	Front seat cushion (Old No. 3766)	1911-12.	State size	10 00	Fondus.	1626B.	1		
3667C.	Front seat cushion	1913.	37 3/4" x 17 1/2"	10 00	Fanom.	5441	1		
3667D.	Seat cushion	1913.	Runabout	8 00	Fanox.	5565	1		
3667E.	Front seat cushion	1914.		10 00	Farce.	7027	1	17	8
3670.	Rear seat cushion	1910.		10 00	Fetich.	1627A.	1		
3670B.	Rear seat cushion (Old No. 3767)	1911-12.	State size.	10 00	Forest.	1627B.	1		
3670C.	Rear seat cushion	1913.	43 3/8" x 18"	10 00	Forel.	5440	1		
3670D.	Rear seat cushion	1914.		10 00	Forum.	7032	1	21	8
3671.	Oil lamp bracket—right (Town Car)	1909-12.		1 00	Fibster.	1645	1		
3672.	Oil lamp bracket—left (Town Car)	1909-12.		1 00	Fibrine.	1659	1		
3673.	Oil lamp bracket—right (Coupe)	1910.		1 00	Fiend.	2200	1		
3674.	Oil lamp bracket—left (Coupe)	1910.		1 00	Fierce.	2201	1		
3675.	Tail lamp bracket (Coupe)	1910.		50	Fickle.	1698	1		
3676.	Cocoa mat	1909-10.	31" x 32"	2 50	Fidena.	1606A.	1		
3676B.	Cocoa mat (Old No. 3754)	1911-14.	30" x 28"	2 50	Flatus.	1606B.	1	6	

Part No.	Name of Part	Y
----------	--------------	---

SPRINGS

3800.	Front spring	1
3801.	First leaf (main leaf)	1
3802.	Second leaf	1
3803.	Thrd leaf	1
3804.	Fourth leaf	1
3805.	Fifth leaf	1
3806.	Sixth leaf	1
3807.	Seventh leaf	1
3808.	Front spring clip	1
3809.	Front spring clip nut	1
3811.	Front spring tie bolt and nut	1
3813.	Front spring hanger	1
3815.	Front and rear spring hanger nut	1
3817.	Front and rear spring hanger oiler	1
3818.	Front spring perch—right	1
3819.	Front spring perch—left	1
3820.	Front spring and perch bushing	1
3821.	Front spring perch nut	1
3823.	Front spring leather	1
3824.	Rear spring	1
3825.	First leaf (main leaf)	1
3826.	Second leaf	1
3827.	Third leaf	1
3828.	Fourth leaf	1
3829.	Fifth leaf	1
3830.	Sixth leaf	1
3831.	Seventh leaf	1
3832.	Eighth leaf	1
3833.	Rear spring clip	1
3834.	Rear spring clip nut	1
3835.	Rear spring clip bar	1
3837.	Rear spring tie bolt and nut	1
3840.	Rear spring hanger	1
3842.	Rear spring leather pad	1
3843.	Rear spring perch	1

ac. No. Req. P'k'd In Weight
D. Per Car Lots of Lb. Oz.

Part No. Name of Part Year Specifications Price Code Word Fac. No. Req. P'k'd in Weight
Per Car Lots of Lb. Oz.

SPRINGS

017B	1		12
018A	1		12
018B	1		12
028-8	4		
427-926	5		
489	2		
490-1309	4		
684-1309	4		
497	1	1	1
498	1	1	1
603	4		
613	1		
442	1		13
262	1		
614A-1309	2		
301B	1	1	3
348B	1	1	3
0	2		
626A	1		
626B	1		
441	1		
565	1		
027	1	17	8
627A	1		
627B	1		
440	1		
032	1	21	8
545	1		
559	1		
200	1		
201	1		
598	1		
506A	1		
506B	1	6	

3800	Front spring	1909-14	7 leaf	\$ 4 00	Gadan	332	1	16	17 1/4
3801	First leaf (main leaf)	1909-14		1 00	Gabber	354	1	50	4
3802	Second leaf	1909-14		80	Gablet	355	1	50	3 1/4
3803	Third leaf	1909-14		70	Gaddish	356	1	50	2 1/2
3804	Fourth leaf	1909-14		60	Gadold	357	1	50	2 1/4
3805	Fifth leaf	1909-14		50	Gallie	358	1	50	1 3/4
3806	Sixth leaf	1909-14		40	Gafol	359	1	50	1 1/4
3807	Seventh leaf	1909-14		25	Gaiter	360	1	50	1
3808	Front spring clip	1909-14	4 1/8"	20	Galena	325B	2		11
3809	Front spring clip nut	1909-14	1/2" x 20 thds	05	Gallant	60	4		
3811	Front spring tie bolt and nut	1909-14	1/8" x 2 1/4"	10	Galley	1362-1363	1		1
3813	Front spring hanger	1909-14		50	Gambit	246	4		7
3815	Front and rear spring hanger nut	1909-14	7/16" x 20 thds	02	Gambage	220	8		1/2
3817	Front and rear spring hanger oiler	1909-14		10	Gamin	128	8		1/2
3818	Front spring perch—right	1909-14	5/8" x 18 thds	75	Gamut	222	1	1	1
3819	Front spring perch—left	1909-14	5/8" x 18 thds	75	Gander	222 1/2	1		1
3820	Front spring and perch bushing	1909-14	1 1/8" x 1 1/2"	10	Gangue	230	4		2
3821	Front spring perch nut	1909-14	5/8" x 18 thds	05	Ganil	242	2		1
3823	Front spring leather	1909-14	1 1/2" x 5 3/4"	10	Gannet	262	1		
3824	Rear spring	1909-14	8 leaf	12 00	Ganoid	333	1	6	49
3825	First leaf (main leaf)	1909-14		2 60	Gantlope	361	1	50	8 1/2
3826	Second leaf	1909-14		2 25	Gantois	362	1	50	7
3827	Third leaf	1909-14		2 00	Ganza	363	1	50	6 3/4
3828	Fourth leaf	1909-14		1 75	Gaphare	364	1	50	6 1/4
3829	Fifth leaf	1909-14		1 60	Garden	365	1	50	5 1/2
3830	Sixth leaf	1909-14		1 50	Garland	366	1	50	5 1/4
3831	Seventh leaf	1909-14		1 30	Garlic	367	1	50	4 3/4
3832	Eighth leaf	1909-14		1 10	Garner	368	1	50	3 1/2
3833	Rear spring clip	1909-14	4 1/8"	20	Game	326	2		10
3834	Rear spring clip nut	1909-14	3/16" x 18 thds	05	Garter	77	4		1
3835	Rear spring clip bar	1909-14	3/8" x 1 1/8" x 4"	10	Gascon	329	2		7
3837	Rear spring tie bolt and nut	1909-14	3/8" x 2 1/8"	10	Gastric	1352-1353	1		1
3840	Rear spring hanger	1909-14		50	Gaulus	91 1/2	4		5
3842	Rear spring leather pad	1909-14	2" x 10 1/4"	10	Gavel	94	1		
3843	Rear spring perch	1909-14	1 1/8" x 16 thds	60	Gavot	41	2		12

Ford Model T

Part No. Name of Part

SPRINGS—Continued

- 3844.... Rear spring and perch bushin
- 3845.... Rear spring perch nut.....
- 3847.... Front spring retainer clip and
- 3848.... Rear spring retainer clip and

STARTING CRANK

- 3900.... Starting crank only.....
- 3901.... Starting crank handle.....
- 3902.... Starting crank handle bolt...
- 3903.... Starting crank sleeve.....
- 3905.... Starting crank ratchet pin...
- 3906.... Starting crank ratchet.....
- 3908.... Starting crank spring.....

RADIATOR-THERMO SYPHON

- 3925.... Radiator.....
- 3925 1/2.... Radiator with large top tank
- 3926.... Radiator cap.....
- 3927.... Radiator cap gasket.....
- 3928.... Radiator pad.....
- 3929.... Radiator stud and nut.....
- 3930.... Radiator stud spring.....
- 3931 1/2.... Radiator stud washer nut...
- 3932.... Radiator rod.....
- 3932 1/2.... Radiator stay rod—foreign..
- 3934.... Radiator rod nut.....
- 3939.... Outlet connection pipe.....
- 3940.... Outlet connection cock.....
- 3944.... Outlet connection hose.....
- 3945.... Outlet connection hose clip..
- 3946.... Radiator stay rod.....

RADIATOR FAN

- 3960.... Fan and pulley assembly...
- 3961.... Fan blade.....

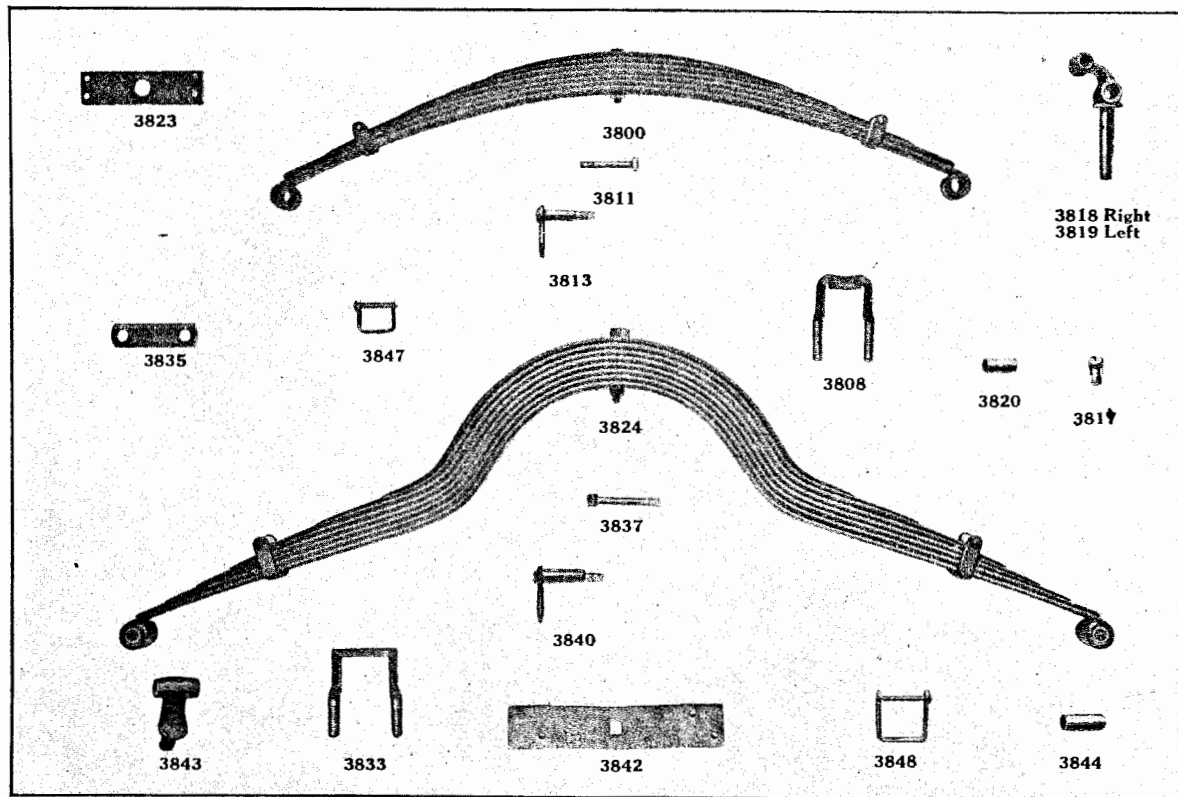
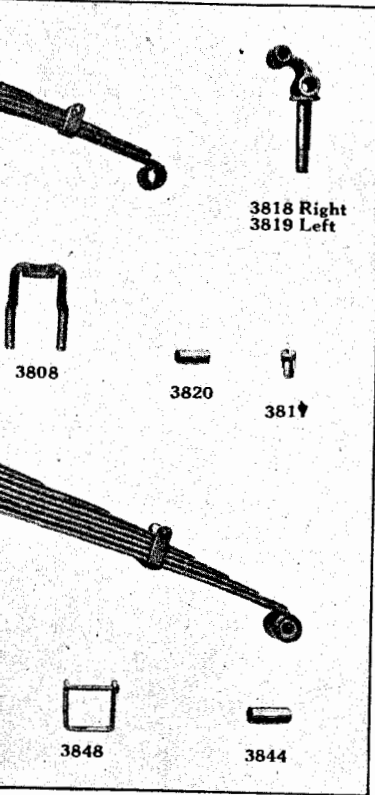


Plate No. 11—Spring Parts



Part No.	Name of Part	Year	Specifications	Price	Code Word	Fac. No.	No. Req. Per Car	P'k'd in Lots of	Weight Lb. Oz.
SPRINGS—Continued									
3844	Rear spring and perch bushing	1909-14	$\frac{3}{8}$ " bore x $\frac{3}{4}$ " dia. x 2"	\$ 0 10	Gawky	172	4		3
3845	Rear spring perch nut	1909-14	$\frac{11}{16}$ " x 16 thds.	05	Gazara	174	2		1
3847	Front spring retainer clip and rivet	1909-14		10	Gazzam	373-374	2		2
3848	Rear spring retainer clip and rivet	1909-14		10	Gecko	375-376	2		4
STARTING CRANK									
3900	Starting crank only	1909-14	Cars above 2500	75	Hernia	519B	1	1	10
3901	Starting crank handle	1909-14	Aluminum	25	Heron	520	1		3
3902	Starting crank handle bolt	1909-14	$\frac{1}{2}$ " x $4\frac{5}{8}$ "	10	Herpes	521	1		5
3903	Starting crank sleeve	1909-14	$\frac{1}{4}$ " bore x $\frac{3}{4}$ " x $2\frac{3}{4}$ "	20	Hesper	523B	1		6
3905	Starting crank ratchet pin	1909-14	$1\frac{3}{8}$ "	05	Hestern	527B	1		1
3906	Starting crank ratchet	1909-14		25	Hetman	528B	1		12
3908	Starting crank spring	1909-14	Brass	05	Hilding	626	1		1
RADIATOR-THERMO SYPHON									
3925	Radiator	1909-14	Cars above 2500	20 00	Hominy	1100C	1	1 to 6	26 $\frac{1}{2}$
3925 $\frac{1}{2}$	Radiator with large top tank	1909-14	Foreign only—top tank, 6" deep	20 00	Hopper	1178	1	9	29
3926	Radiator cap	1909-14		50	Hothir	1103B	1		3
3927	Radiator cap gasket	1909-14	Fibre	05	Housel	1117	1		
3928	Radiator pad	1909-14	Leather	05	Hovel	1105	2		
3929	Radiator stud and nut	1909-14	$\frac{3}{8}$ " x $2\frac{7}{8}$ "	05	Hoxy	1162-8	2		
3930	Radiator stud spring	1909-14		05	Hubby	1152	2		
3931 $\frac{1}{2}$	Radiator stud washer nut	1909-14	$\frac{3}{8}$ " x 24 thds.	05	Huffish	1161	2		
3932	Radiator rod	1909-14	20 $\frac{3}{4}$ " long	15	Huller	1111B	1		8
3932 $\frac{1}{2}$	Radiator stay rod—foreign	1909-14	17" long use with 3925 $\frac{1}{2}$	15	Hultan	1179	1		6
3934	Radiator rod nut	1909-14	$\frac{3}{8}$ " x 24 thds.	02	Humbler	517	1		
3939	Outlet connection pipe	1909-14	$1\frac{3}{4}$ " x 12"	25	Humic	1121	1		13
3940	Outlet connection cock	1909-14	$\frac{1}{8}$ " pet cock	20	Humine	1515	1		3
3944	Outlet connection hose	1909-14	$1\frac{3}{4}$ " x $2\frac{3}{4}$ "	20	Hungry	507B	2	200	3
3945	Outlet connection hose clip	1909-14	$2\frac{1}{4}$ " dia.	05	Hunter	554B	4		1
3946	Radiator stay rod	1911	22 $\frac{3}{4}$ " long (Runabout)	15	Hurden	1167	1		9
RADIATOR FAN									
3960	Fan and pulley assembly	1909-14	Cars above 2500	1 25	Hutten	619	1	25	1 $\frac{1}{2}$
3961	Fan blade	1909-14		10	Hyades	611	4		2

Part No. Name of Part

RADIATOR FAN—Continued

- 3961B.. Fan blade rivets, per dozen
- 3962... Driven fan pulley.....
- 3963... Fan drive pulley.....
- 3964... Fan belt.....
- 3966... Fan shaft.....
- 3967... Fan bracket.....
- 3968... Fan bracket bolt.....
- 3970... Fan grease cup.....
- 3973... Fan adjusting screw and nut.....

MUFFLER

- 4025... Muffler assembly
- 4026... Muffler head—intake.....
- 4027... Muffler shell—outer.....
- 4028... Muffler shell—middle.....
- 4029... Muffler shell—inner.....
- 4030... Muffler rod only.....
- 4031... Muffler rod nut.....
- 4032... Muffler bracket—exhaust.....
- 4033... Muffler bracket—intake.....
- 4034... Muffler bracket bolt and nut.....
- 4037... Long exhaust pipe.....
- 4037B.. Long exhaust pipe.....
- 4038... Muffler asbestos.....
- 4039... Muffler asbestos bands.....
- 4040... Rear muffler head with outlet pipe.....

HOOD

- 4050... Hood.....
- 4051... Hood handle.....
- 4052... Hood clip.....
- 4053... Hood clip spring.....
- 4056... Hood board—left.....

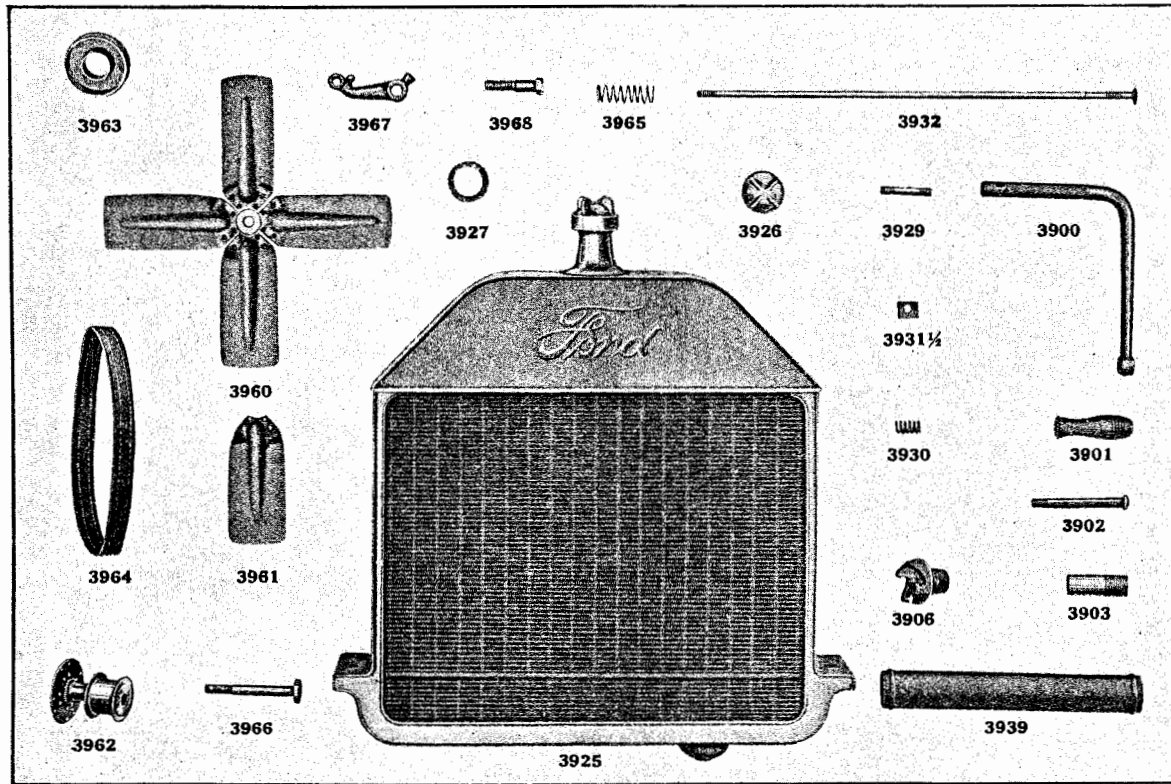


Plate No. 12—Radiator and Starting Crank Parts

Part No.	Name of Part	Year	Specifications	Price	Code Word	Fac. No.	No. Req. Per Car	P'k'd in Lots of	Weight Lb. Oz.
----------	--------------	------	----------------	-------	-----------	----------	------------------	------------------	----------------

RADIATOR FAN—Continued

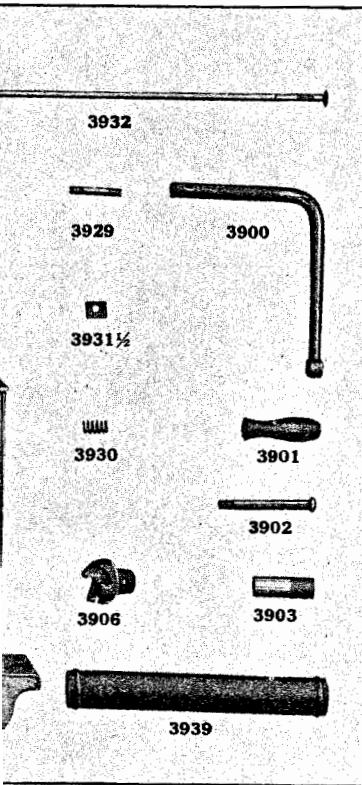
3961B.	Fan blade rivets, per dozen	1909-14		\$ 0 05	Hyad	612	16		
3962	Driven fan pulley	1909-14	Brass	80	Hydra	618	1	50	5
3963	Fan drive pulley	1909-14	Steel—on crank shaft	30	Hydrant	602	1	100	9
3964	Fan belt	1909-14		30	Hydrate	609	1	500	2½
3966	Fan shaft	1909-14	5" x 4 1/8"	25	Hyper	606	1		4
3967	Fan bracket	1909-14		30	Hypo	604	1		7
3968	Fan bracket bolt	1909-14	1/2" x 2 3/8"	15	Hyper	605	1		3
3970	Fan grease cup	1909-14		15	Hyppish	601	1		1
3973	Fan adjusting screw and nut	1909-14	3/8" x 1 1/4"	10	Hyssop	645-517	1		2

MUFFLER

4025	Muffler assembly	1909-14		2 50	Jobal	1200B	1	10	6 6
4026	Muffler head—intake	1909-14	1 5/8" bore x 5 1/8" dia.	60	Jobesh	1202B	1	20	1 1/2
4027	Muffler shell—outer	1909-14	5" dia. x 12"	30	Jabin	1203	1	24	1 4
4028	Muffler shell—middle	1909-14	3 1/2" dia. x 13"	25	Jackal	1204	1	24	11
4029	Muffler shell—inner	1909-14	2" dia. x 14"	60	Jaday	1205	1	24	1 3
4030	Muffler rod only	1909-14	5/8" x 13 3/8"—Hex. head	10	Jadish	1206	3	200	5
4031	Muffler rod nut	1909-14	1 1/8" x 24 thds.	02	Jagger	44	3		
4032	Muffler bracket—exhaust	1909-14		30	Jambee	1217	1	50	3
4033	Muffler bracket—intake	1909-14		30	Jantu	1218	1	50	3
4034	Muffler bracket bolt and nut	1909-14	3/8" x 3 1/2"	05	Janus	940-517	4		
4037	Long exhaust pipe	1909-13	Straight front end—use with 3060	1 20	Jarite	1829	1	10	3 1/2
4037B.	Long exhaust pipe	1914	Flanged front end—use with 3060B	1 20	Jasmine	1214B	1	10	3 1/2
4038	Muffler asbestos	1909-14		15	Jahud	1215	1	100	7
4039	Muffler asbestos bands	1909-14	Tin	10	Jerboa	1216	3		
4040	Rear muffler head with outlet pipe	1909-14		75	Jetson	1221B	1	10	2

HOOD

4050	Hood	1909-14	22" long	6 50	Jibsam	1300	1		7 1/2
4051	Hood handle	1909-14	5 1/2" long	25	Jingal	1314	2		
4052	Hood clip	1909-14	3 1/8"	05	Jippo	1310	4		2
4053	Hood clip spring	1909-14		05	Jockey	1311	4		
4056	Hood board—left	1909-14	22 3/4" long	40	Johlm	1339	1		9



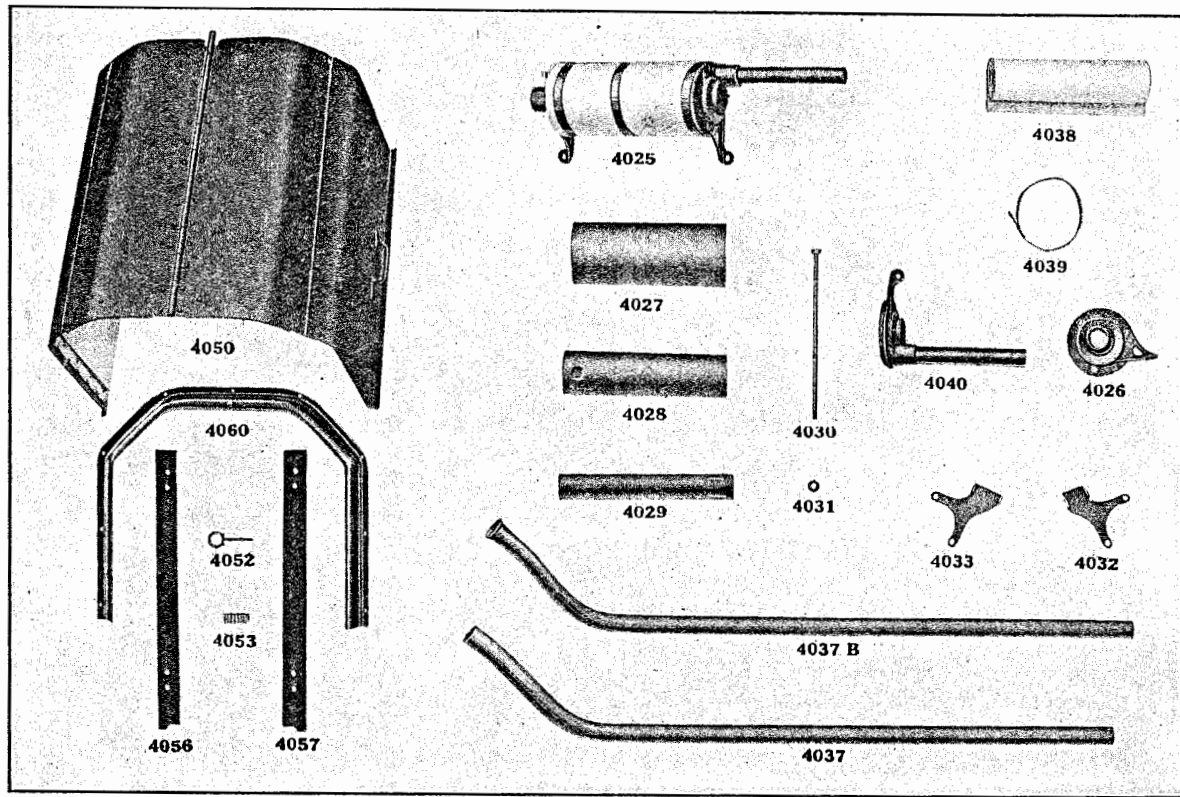


Plate No. 13—Hood and Muffler Parts

Ford Model T

Part No. Name of Part

HOOD—Continued

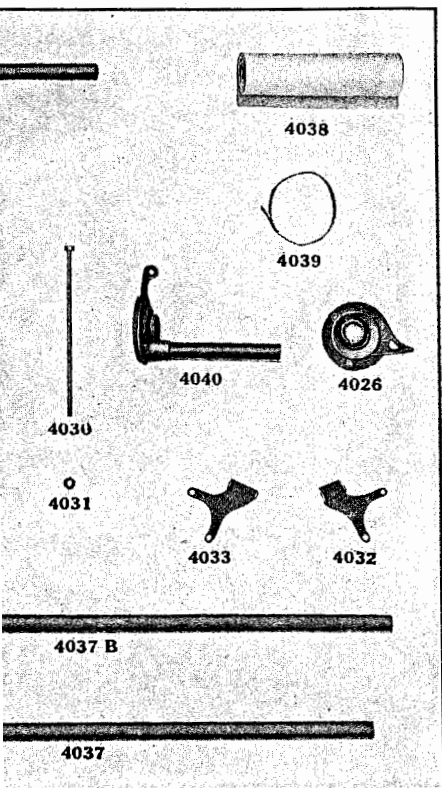
- 4057... Hood board—right.....
- 4058... Hood board bolt and nut.....
- 4060... Hood support on dash.....
- 4061... Hood support screw.....
- 4070... Hood.....
- 4071... Hood block—right.....
- 4072... Hood block—left.....

WIRING

- 4350... Spark plug wire.....
- 4351... Spark plug wire.....
- 4352... Spark plug wire.....
- 4353... Spark plug wire.....
- 4354... Spark plug wire terminal.....
- 4355... Commutator wires with loom.....
- 4356... Commutator wires with term.....
- 4357... Commutator wire terminal.....
- 4359... Commutator wire loom supp.....
- 4360... Magneto to coil wire.....
- 4361... Commutator loom rubber ni.....
- 4362... Commutator wire rubber ni.....
- 4363... Commutator wire support (.....
- 4366... Spark plug wire.....
- 4367... Spark plug wire.....
- 4368... Spark plug wire.....
- 4369... Spark plug wire.....
- 4370... Magneto to coil wire.....

KINGSTON CARBURETOR—1

- 4400... Carburetor complete, for left cars.....
- 4400R... Carburetor complete, for right cars.....
- 4401... Float with lever.....



Part No.	Name of Part	Year	Specifications	Price	Code Word	Fac. No.	No. Req. Per Car	P'k'd in Lots of	Weight Lb. Oz.
HOOD—Continued									
4057	Hood board—right	1909-14	22 $\frac{3}{4}$ " long	\$ 0 40	Jorum	1340	1		9
4058	Hood board bolt and nut	1909-14	$\frac{1}{4}$ " x 1 $\frac{1}{8}$ "	05	Jowter	1308-1309	4		
4060	Hood support on dash	1909-14		1 00	Jupon	1334	1		2
4061	Hood support screw	1909-14	No. 10, $\frac{5}{8}$ " wood screw	01	Jurist	1350	9		
4070	Hood	1911	24" long, runabout	6 50	Junta	2313	1		8
4071	Hood block—right	1911	24 $\frac{3}{4}$ " long, runabout	40	Justle	2305	1		10
4072	Hood block—left	1911	24 $\frac{3}{4}$ " long, runabout	40	Juzil	2306	1		10

WIRING

4350	Spark plug wire	1909-14	15 $\frac{1}{2}$ ", No. 1 cyl.	20	Nabob	1365	1	200	1
4351	Spark plug wire	1909-14	12 $\frac{1}{2}$ ", No. 2 cyl.	20	Nachor	1366	1	200	1
4352	Spark plug wire	1909-14	8", No. 3 cyl.	15	Naggy	1375	1	200	1
4353	Spark plug wire	1909-14	8 $\frac{3}{4}$ ", No. 4 cyl.	15	Nalad	1376	1	200	1
4354	Spark plug wire terminal	1909-14	Copper	03	Naffer	1381	10		
4355	Commutator wires with loom	1909-14		60	Nandu	1951	1	50	7
4356	Commutator wires with terminal, each	1909-14	Black, red, green or blue.	10	Napaw		4		
4357	Commutator wire terminal (coil end)	1909-14	Copper	03	Napher	1385	4		
4359	Commutator wire loom support	1909-14		05	Napple	1390	2		
4360	Magneto to coil wire	1909-14	15 $\frac{1}{2}$ " long	20	Napus	1365	1	200	1
4361	Commutator loom rubber nipple	1909-14		03	Nargil	1964	2		
4362	Commutator wire rubber nipple	1909-14	$\frac{1}{4}$ " dia. x $\frac{5}{8}$ "	02	Narsal	1965	4		
4363	Commutator wire support (on dash)	1909-14	$\frac{3}{16}$ " x $\frac{1}{8}$ " x 1"	05	Narwalt	1638	1		
4366	Spark plug wire	1911	17 $\frac{1}{2}$ ", No. 1 cyl., runabout	20	Nashon	2357	1		1
4367	Spark plug wire	1911	14 $\frac{1}{2}$ " No. 2 cyl., runb't.	20	Nasute	2358	1		1
4368	Spark plug wire	1911	10", No. 3 cyl., runb't.	15	Natal	2359	1		1
4369	Spark plug wire	1911	11", No. 4 cyl., runb't.	15	Native	2360	1		1
4370	Magneto to coil wire	1911	11 $\frac{3}{4}$ ", runabout	20	Natrix	2361	1		1

KINGSTON CARBURETOR—1913-14

4400	Carburetor complete, for left control cars	1913-14	Four ball type	7 50	Mason	553D	1	50	2 $\frac{1}{2}$
4400R	Carburetor complete, for right control cars	1913-14	Four ball type	7 50	Masped	1898D	1	50	2 $\frac{1}{2}$
4401	Float with lever	1913-14		1 00	Mark	4866	1		

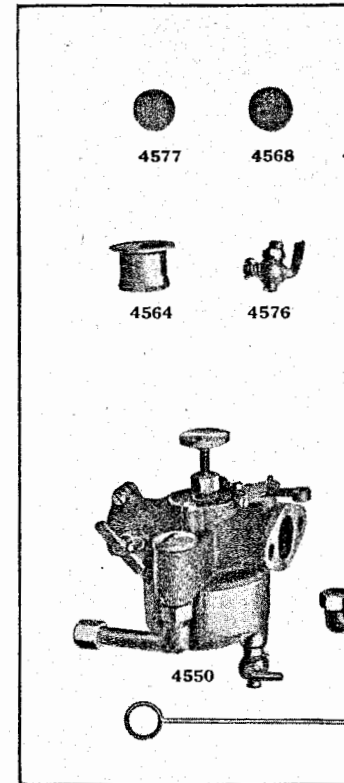
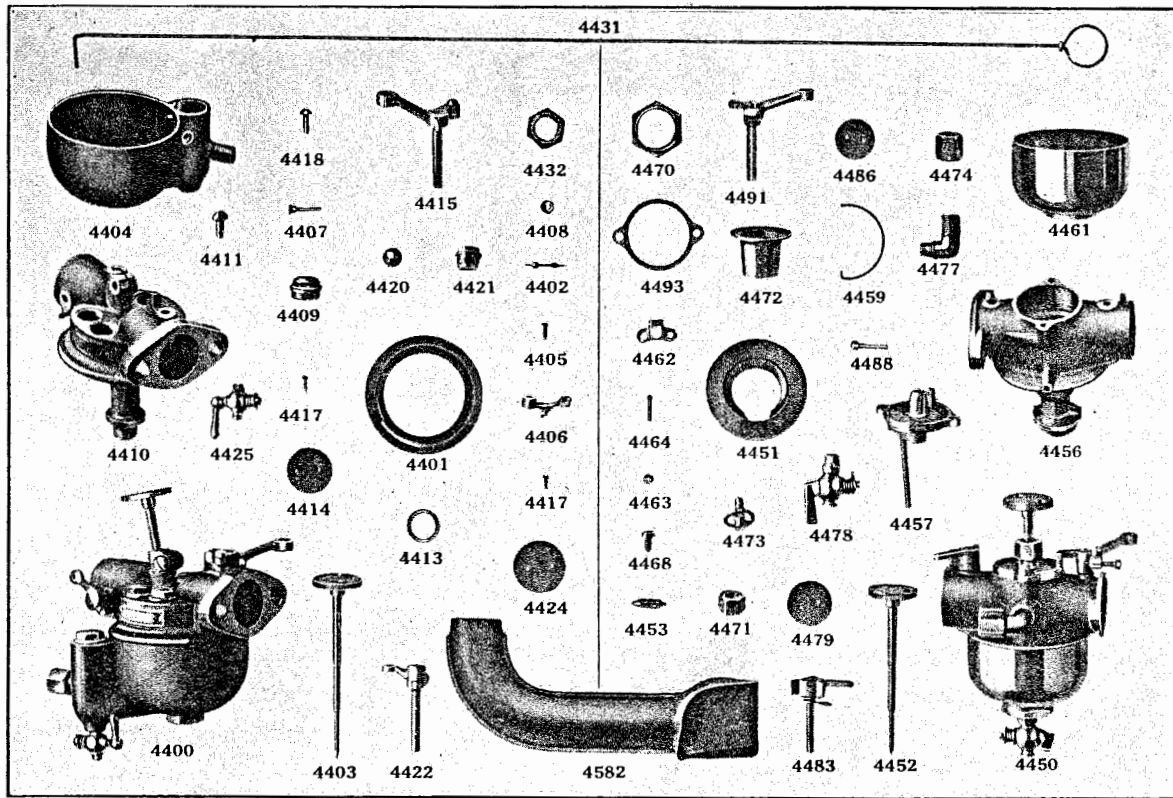
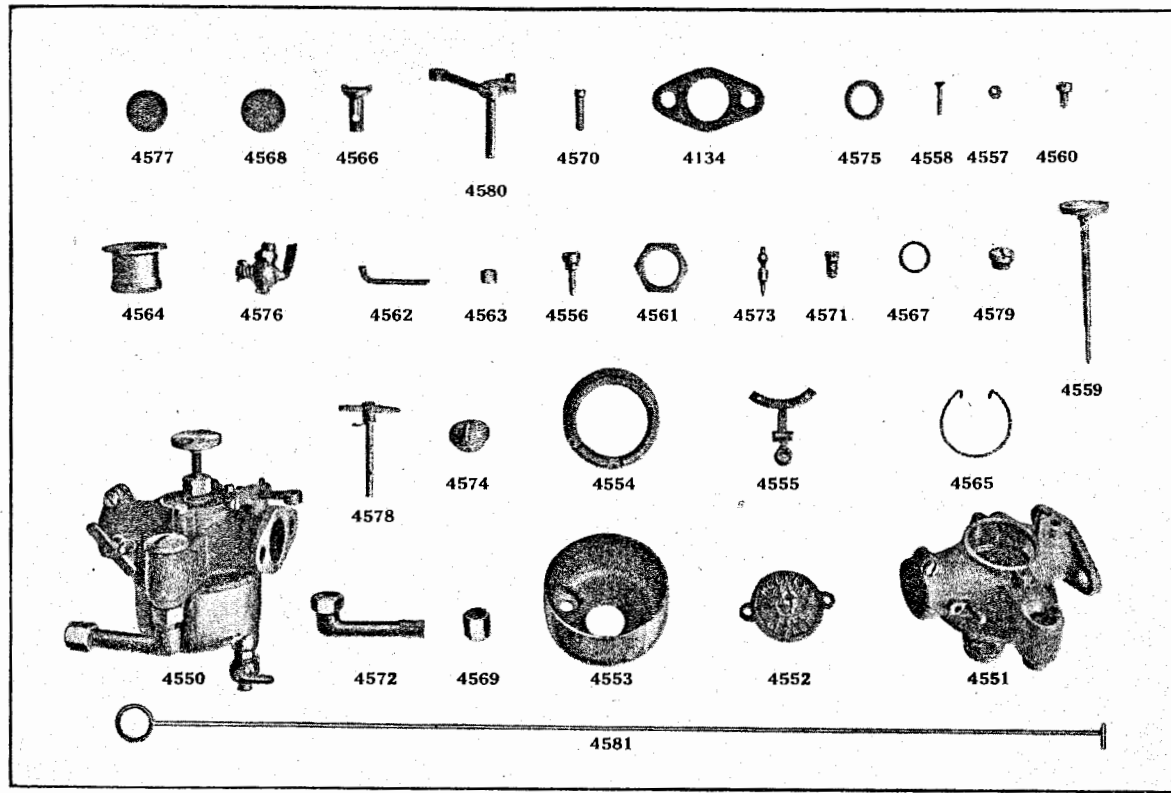
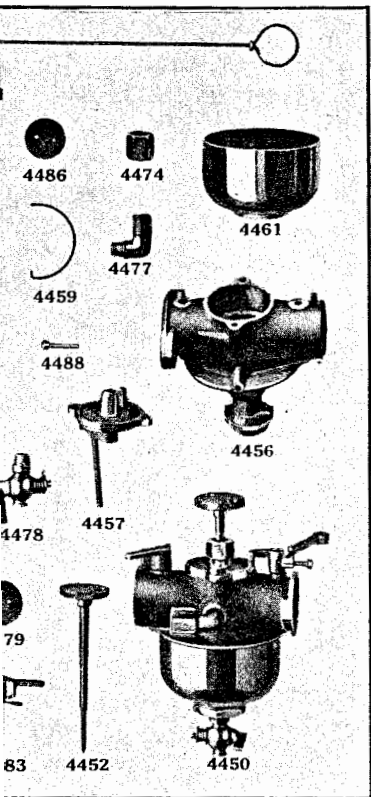


Plate No. 14—1913-14 Kingston and Holley Carburetor Parts



Parts

Plate No. 15—1912 Holley Carburetor Parts

Part No.	Name of Part	Year	Specifications	Price	Code Word	Fac. No.	No. Req. Per Car	P'k'd in Lots of	Weight Lb. Oz.
----------	--------------	------	----------------	-------	-----------	----------	------------------	------------------	----------------

KINGSTON CARBURETOR—Continued

4402...	Gasoline valve.....	1913-14.....		\$ 0 50.....	Mask.....	4002.....	1.....		
4403...	Gasoline needle valve.....	1913-14.....		40.....	Medal.....	4871.....	1.....		

Parts for 1909-10-11 Carburetors supplied by Byrne Kingston Co., Kokomo, Ind.

HOLLEY CARBURETOR—1913-14

4450...	Carburetor complete, for left control cars.....	1913-14.....		7 50.....	Mire.....	553D.....	1.....	50.....	2½.....
4450R...	Carburetor complete, for right control cars.....	1913-14.....		7 50.....	Mista.....	1898D.....	1.....	50.....	2½.....
4451...	Float with lever.....	1913-14.....		1 00.....	Match.....	4850.....	1.....		
4452...	Spray needle assembly.....	1913-14.....		60.....	Meek.....	4854.....	1.....		
4453...	Gasoline Inlet needle.....	1913-14.....		30.....	Mend.....	4860.....	1.....		

HOLLEY CARBURETOR—1912

4554...	Float with lever.....	1912.....		1 00.....	Man.....	4803.....	1.....		
4559...	Spray needle.....	1912.....		60.....	Mare.....	4807.....	1.....		
4572...	Gasoline inlet elbow assembly.....	1912.....		55.....	Mermaid.....	4838.....	1.....		
4573...	Gasoline Inlet needle.....	1912.....		30.....	Monarch.....	4828.....	1.....		
4581...	Air throttle pull rod.....	1912-14.....		15.....	Monger.....	2000.....	1.....		
4582...	Hot air pipe.....	1912-14.....		20.....	Monkey.....	4492.....	1.....		4
4127...	Carburetor adjusting rod bracket.....	1909-14.....	1½" x 1½"	30.....	Lastage.....	1357.....	1.....		
4129...	Carburetor adjusting rod (with head).....	1909-14.....	¾" x 18½" long	25.....	Latten.....	1359B.....	1.....		
4132...	Carburetor flange bolt and nut.....	1909-14.....	¾" x 1" x 24 thds	05.....	Leaper.....	1388-517.....	2.....		
4134...	Carburetor flange gasket.....	1909-14.....	Copper	05.....	Lecturn.....	1380B.....	1.....		

(Other parts required may be ordered by plate numbers; prices quoted on application.)

HEINZE COIL

4602...	Coil cover.....	1910-13.....		1 50.....	Mezzo.....	4602.....	1.....		8
4604...	Coil box with cover.....	1910-13.....		6 00.....	Micher.....	4604.....	1.....		3½.....
4611...	Coil unit.....	1910-13.....		4 00.....	Michtam.....	4611.....	4.....	100.....	1¾.....
4613...	Adjusting nut and ratchet.....	1910-13.....		15.....	Migrant.....	4613.....	4.....		
4616...	Vibrator with tungsten point.....	1910-14.....		50.....	Mille.....	4616.....	4.....		
4618...	Vibrator bridge with tungsten point.....	1910-14.....		50.....	Mileped.....	4618.....	4.....		

4611
(top)

4611



4604

	Code Word	Fac. No.	No. Req. Per Car	P'k'd in Lots of	Weight Lb. Oz.
--	-----------	----------	------------------	------------------	----------------

50	Mask	4002	1		
10	Medal	4871	1		

50	Mire	553D	1	50	2½
50	Mista	1898D	1	50	2½
10	Match	4850	1		
60	Meek	4854	1		
30	Mend	4860	1		

90	Man	4803	1		
50	Mare	4807	1		
55	Mermaid	4838	1		
90	Monarch	4828	1		
15	Monger	2000	1		
10	Monkey	4492	1		4
10	Lastage	1357	1		
15	Latten	1359B	1		
15	Leaper	1388-517	2		
5	Lecturn	1380B	1		

0	Mezzo	4602	1		8
0	Micher	4604	1		3½
0	Michtam	4611	4	100	1¾
5	Migrant	4613	4		
0	Mile	4616	4		
0	Mileped	4618	4		

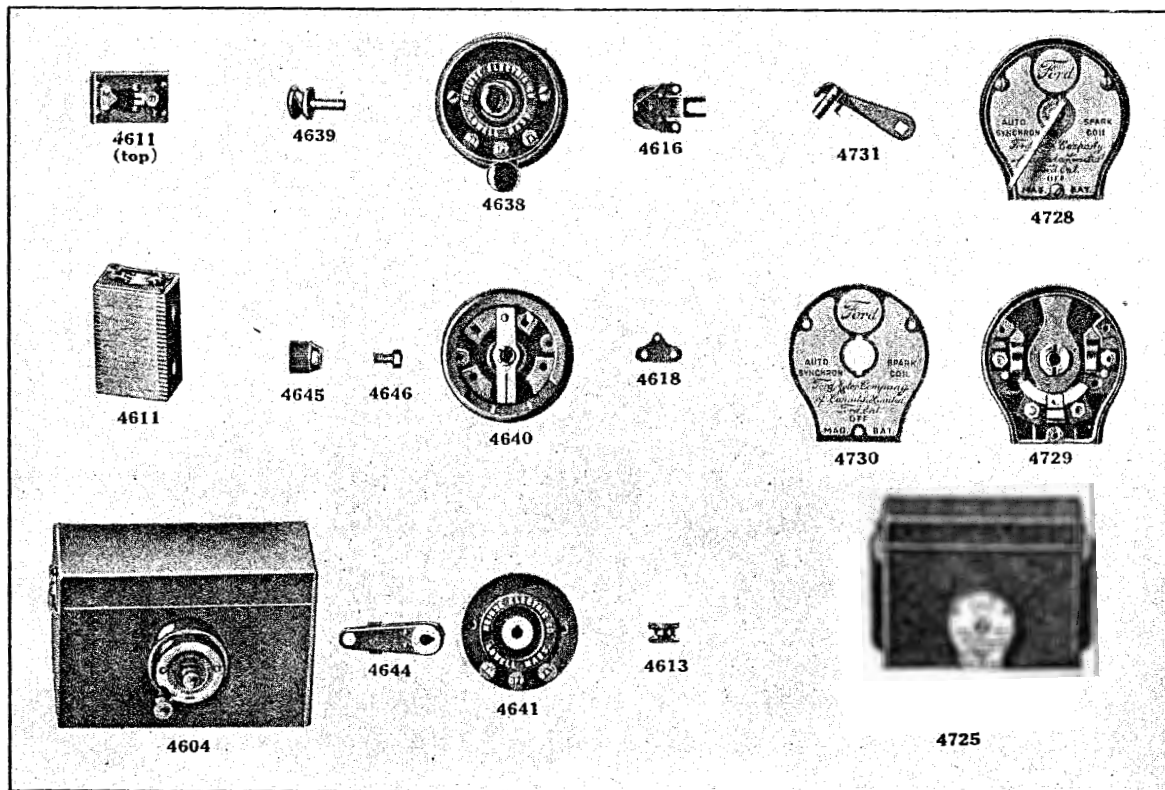


Plate No. 16—Heinze (1911-12-13) and Ford (1914) Coll Parts

Part No.	Name of Part	Year	Specifications	Price	Code Word	Fac. No.	No. Req. Per Car	P'k'd in Lots of	Weight Lb. Oz.
HEINZE COIL—Continued									
4638	Switch assembly	1910-13		\$ 1 50	Milepore	4638	1		7
4639	Switch plug	1910-13		15	Milter	4639	1		½
4640	Switch base	1910-13	Includes spring	75	Milvus	4640	1		
4641	Switch cover	1910-13		25	Minish	4641	1		
4644	Switch lever	1910-13		25	Minnock	4644	1		
4645	Switch lever knob	1910-13		15	Misown	4645	1		
4646	Switch lever knob set screw	1910-13		02	Misprize	4646	1		
KINGSTON COIL—1913									
4701	Switch base	1911-13		75	Meroy		1		
4702	Switch base cover	1911-13		30	Merino	3070D	1		
4705	Switch assembly	1911-13		1 50	Merop	3072D	1		12
4713	Coil unit	1909-13	Old No. 4238	4 00	Maslach	4715	4	2	5
4714	Coil box with cover	1909-13	Old No. 4229	6 00	Martyr	3032D	1	3	10
4715	Coil cover	1909-13	Old No. 4230	1 50	Marvel	3031	1		10
4716	Vibrator spring with tungsten point	1912-13	Old No. 4237	50	Mator		4		
4717	Vibrator bridge with tungsten point	1912-13	Old No. 4236	50	Matis	3046D	4		
4718	Switch key	1911-13	Old No. 4233	15	Mastpod	3065D	1		
4719	Unit knurled adjusting screw	1911-13	Old No. 4239	25	Mastich		4		
4720	Unit fastener thumb nut	1909-13		05	Maston		4		
FORD SPARK COIL									
4725	Coil	1914	Applies all cars	18 00	Negus	5858	1		11 12
4726	Coil box with cover	1914	Metal	3 00	Nenla	5843	1	4	3
4727	Coil box cover	1914	Metal	75	Nephew	5856	1		12
4728	Switch assembly	1914		1 00	Nidor	5890	1		8
4729	Switch base assembly	1914		75	Noddy	5841	1		6
4730	Switch cover	1914		25	Nones	5835	1		
4731	Switch plug	1914		15	Nopal	5815	1		1
4732	Coil unit	1914	Size 3½" x 2½" x 5" used only in Ford coil box.	3 75	Noggin	5845	4	1	14
4733	K. W. vibrator with tungsten point	1914		50	Nonce	4708	4		
4734	K. W. vibrator bridge with tungsten point	1914		50	Novia	4711	4		
4736	Heinze vibrator with tungsten point	1914		50	Nowell	4612	4		
4737	Heinze vibrator bridge with tungsten point	1914		50	Nullah	4618	4		



4665



4663



4666



4220



4219



4222



4221

Part No.	Code Word	Fac. No.	No. Req. Per Car	P'k'd in Lots of	Weight Lb. Oz.
50	Milepore	4638	1	1	7
15	Milter	4639	1	1	½
75	Milvus	4640	1	1	
25	Minish	4641	1	1	
25	Minnock	4644	1	1	
15	Misown	4645	1	1	
02	Misprize	4646	1	1	
75	Meroy		1	1	
30	Merino	3070D	1	1	
50	Merop	3072D	1	1	12
00	Maslach	4715	4	2	5
00	Martyr	3032D	1	3	10
50	Marvel	3031	1	1	10
50	Mator		4	1	
50	Matis	3046D	4	1	
15	Mastpod	3065D	1	1	
25	Mastich		4	1	
05	Maston		4	1	
00	Negus	5858	1	11	12
00	Nenia	5843	1	4	3
75	Nephew	5856	1	1	12
00	Nidor	5890	1	1	8
75	Noddy	5841	1	1	6
25	Nones	5835	1	1	
15	Nopal	5815	1	1	1
75	Noggin	5845	4	1	14
50	Nonce	4708	4	1	
50	Novia	4711	4	1	
50	Nowell	4612	4	1	
50	Nullah	4618	4	1	

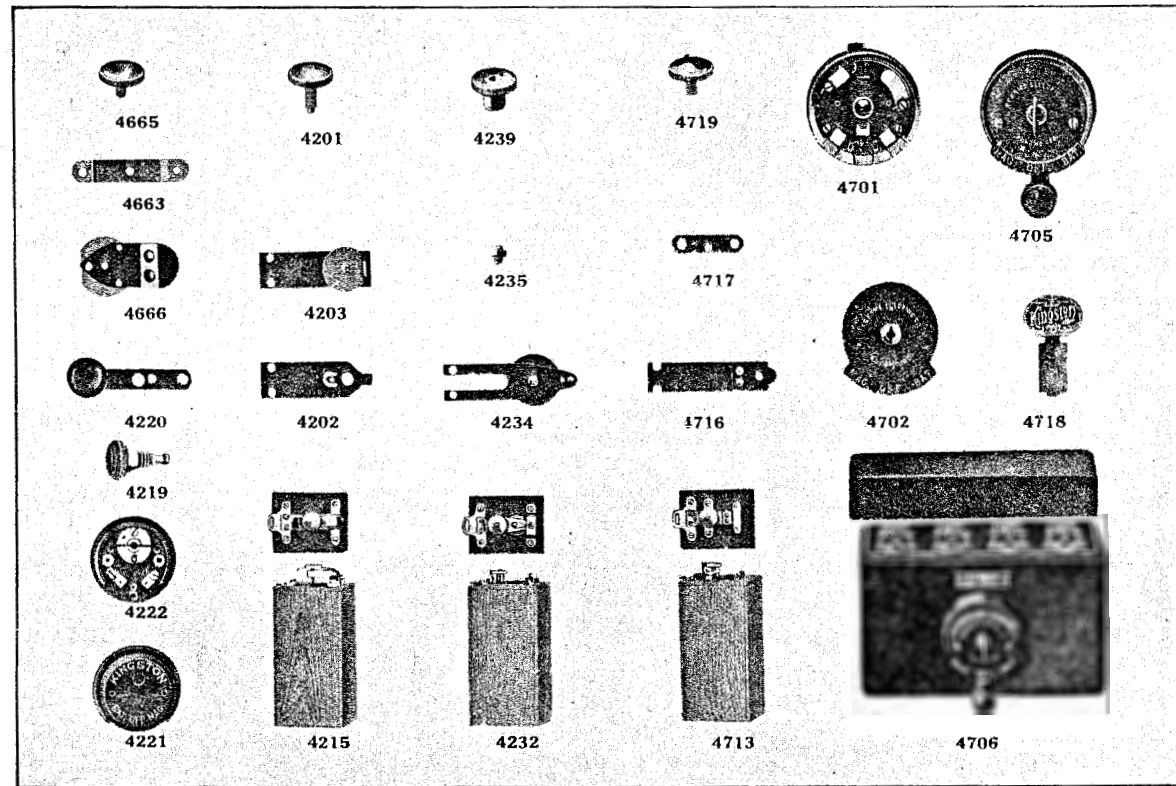
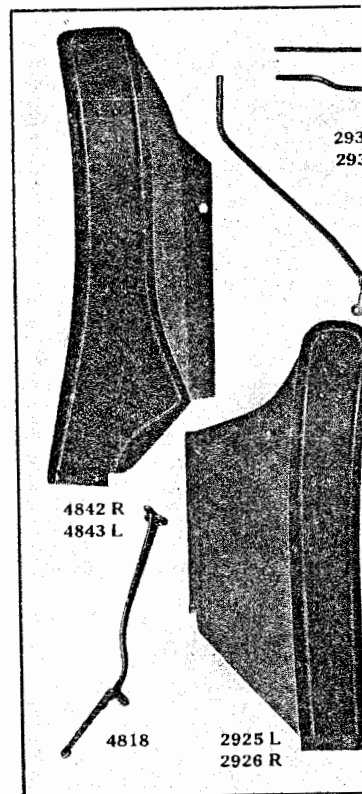


Plate No. 17—Kingston Coil Parts

Part No.	Name of Part	Year	Specifications	Price	Code Word	Fac. No.	Req. Per Car	P'k'd in Lots of	Weight Lb. Oz.
FENDERS AND RUNNING BOARDS—TOURING, TORPEDO AND ROADSTER									
4800	Front fender—right	1911-14	Touring Car & Roadster	\$ 3 00	Scorch	1414B	1	12	11 ½
4801	Front fender—left	1911-14	Touring Car & Roadster	3 00	Scoul	1413B	1	12	11 ½
4802	Rear fender—right	1911-14	Touring car	3 00	Sexton	1416C	1	12	7 ½
4803	Rear fender—left	1911-14	Touring car	3 00	Shark	1415C	1	12	7 ½
4802B	Rear fender—right (Old No. 3782)	1912	Torpedo and Roadster— Substitute 4802, 4803, 4804E and 4804F			5206	1		
4802C	Rear fender—right (Old No. 4413)	1912	Delivery car	3 50	Slush	5209	1		8 ½
4803B	Rear fender—left (Old No. 3783)	1912	Torpedo and Roadster— Substitute 4802, 4803, 4804E and 4804F			5218	1		
4803C	Rear fender—left (Old No. 4414)	1912	Delivery car	3 50	Smelt	5210	1		8 ½
4804	Rear fender iron—right and left	1912	10 ⅝" long, touring	40	Shear	379	2		12
4804B	Rear fender irons—right and left (Old No. 3784)	1912	Torpedo-Roadster	75	Sheco	2903	2		1 11
4804C	Rear fender irons—right and left (Old No. 4415)	1912	Delivery car	40	Smoke	4205	2		12
4804D	Rear fender iron—right and left	1913-14	Touring car	40	Smile	5405	2		12
4804E	Rear fender iron—right	1913	Torpedo	75	Shire	5563	1		1 ½
4804F	Rear fender iron—left	1913	Torpedo	75	Shrub	5390	1		1 ½
4805	Rear fender iron bolt and nut	1912-14	¾" x 1 ½"	10	Shoal	340-341	6		
4808	Front fender iron bolt and nut— bottom	1909-14	¾" x 1 ½"	05	Shovel	347-8	2		
4808 ½	Front fender iron bolt and nut—side	1909-14		05	Shower	1323-8	4		
4809	Front fender iron—right or left	1909-14		1 00	Sistom	343	2		1 12
4812	Running board—right or left	1909-14	44 ⅞" long	75	Shrew	5418	2	25	7 ½
4814	Running board metal shield—right	1911-14	Touring and Torpedo	2 00	Skylark	1409B	1	25	7 ½
4815	Running board metal shield—left	1911-14	Touring and Torpedo	2 00	Skylight	1408B	1	25	7 ½
4816	Running board truss rod—front	1909-14	Old No. 2947	25	Skybrld	338	1		2
4817	Running board truss rod—rear	1909-14	Old No. 2947B	25	Skyman	371	1		2
4818	Running board bracket	1909-14	Old No. 2946	75	Skyhawk	336	4		1 12
4819	Fender eye bolt assembly	1909-14	Old No. 2935	15	Skyman	1945	4		



Parts

Ford Model T

Code Word	Fac. No.	No. Req. Per Car	P'k'd in Lots of	Weight Lb. Oz.
-----------	----------	------------------	------------------	----------------

TER

Scorch	1414B	1	12	11 1/2
Scoul	1413B	1	12	11 1/2
Sexton	1416C	1	12	7 1/2
Shark	1415C	1	12	7 1/2
5206		1		
Slush	5209	1		8 1/2
5218		1		
Smelt	5210	1		8 1/2
Shear	379	2		12
Sheco	2903	2		1 11
Smoke	4205	2		12
Smile	5405	2		12
Shire	5563	1		1 1/2
Shrub	5390	1		1 1/2
Shoal	340-341	6		
Shovel	347-8	2		
Shower	1323-8	4		
Sistom	343	2		1 12
Shrew	5418	2	25	7 1/2
Skylark	1409B	1	25	7 1/2
Skylight	1408B	1	25	7 1/2
Skybird	338	1		2
Skyman	371	1		2
Skyhawk	336	4		1 12
Skyman	1945	4		

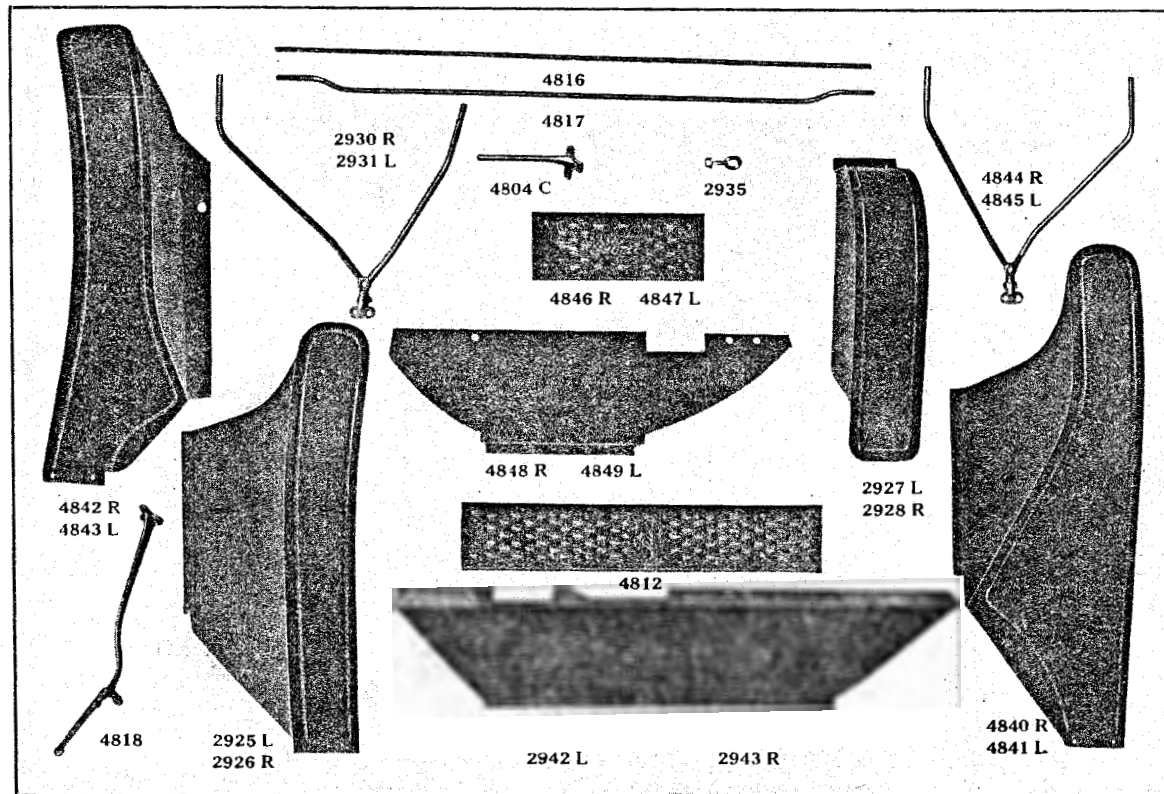


Plate No. 18—Fender Parts

Part No.	Name of Part	Year	Specifications	Price	Code Word	Fac. No.	No. Req. Per Car	P'k'd in Lots of	Weight Lb. Oz.
SPECIAL TOOLS									
1349	Hub cap wrench		Regular equipment	\$ 0 25	Pacal	1349	1	50	7
1387	Adjustable wrench		Regular equipment	40	Pacos	1387	1	50	15
1902	Screw driver		Regular equipment	25	Padan	1902	1	50	5
1903	Pliers		Regular equipment	30	Paddy	1903	1	50	8
1917	Double end wrench		Regular equipment	20	Pagan	1917	1	50	4
1924	$\frac{3}{8}$ " socket wrench		12" long	50	Pallah	1924	1	50	1
1929	Fly wheel cap screw wrench		11 $\frac{3}{8}$ " long	30	Palmy	1929	1	50	1 3
1930X	Valve spring lifter		15" long	75	Palpus	1956	1	50	14
1957	Valve grinder			1 00	Palster	1957	1	50	15
1933X	Rear wheel puller assembly			1 50	Panary	1940	1	50	2 $\frac{1}{2}$
1936X	Cam gear puller			1 50	Pantile	1939	1	50	1 12
1953X	Transmission clutch drum puller			1 50	Papaw	1954	1	50	1 8
1974	Drive shaft rear axle housing stud nut wrench for $\frac{3}{8}$ " nut		7 $\frac{13}{16}$ " long	40	Papist	1974	1	50	10
1974B	Drive shaft rear axle housing stud nut wrench for $\frac{1}{2}$ " nut			40	Parent	2073	1	50	10
1975	Rear axle housing bolt nut wrench		7 $\frac{11}{16}$ " long	50	Parvis	1975	1	50	8
1978	Valve seat reamer		7 $\frac{1}{2}$ " long	2 50	Papula	1978	1	50	13
2319	Screw driver for cam shaft set screw		6 $\frac{1}{2}$ " long	50	Parley	2319	1	50	11
2320	$\frac{3}{8}$ " T socket wrench		9 $\frac{1}{4}$ " long	50	Parfit	2320	1	50	1 2
2321	Socket wrench for crank shaft bearing bolt nut		12 $\frac{1}{16}$ " long	50	Passim	2321	1	50	1 4
2322	$\frac{3}{8}$ " L socket wrench		12"	50	Pastel	2322	1	50	1 3
2323	$\frac{3}{8}$ " open end wrench		7 $\frac{1}{2}$ " long	35	Pastor	2323	1	50	5
2324	Connecting rod clamp screw wrench		10 $\frac{1}{4}$ " long	40	Parrot	2324	1	50	1 2
2328	$\frac{3}{8}$ " brace socket wrench		24 $\frac{3}{8}$ " long	60	Parsee	2328	1	50	2 3
2331	Piston ring squeezer		3 $\frac{7}{8}$ " dia.	25	Patile	2331	1	50	10
2332	Magnet screw brace screw driver		13 $\frac{3}{4}$ " long	50	Patrol	2332	1	50	14
2333	Large cam gear lock nut wrench		14" long	40	Pavan	2333	1	50	1 6
2335	Spark plug and cylinder head bolt wrench		Regular equipment	50	Pavid	5893	1	50	1 3
2336	Tool roll		Regular equipment	35	Pawky	1979	1	50	5
2337	Oil can		Regular equipment	20	Paxos	1384	1	50	4
2341	Crank shaft bearing bolt special wrench			50	Pelox	2069	1	50	1 4



1933 X



19



1917



1903



1978



1902



1349



2337



1387

Parts listed on following pages apply particularly to Model T cars built during 1909-10-11. Other repairs, being identical with those in cars manufactured during 1912-13-14, are listed under proper headings on preceding pages

Ford Model T

Part No	Name of Part
---------	--------------

BODY PARTS—1911 RUNABOUT

3700	Dash for left control cars
3700R	Dash for right control cars
3701	Dash bracket—right
3702	Dash bracket—left
3703	Dash brass moulding
3704	Oil lamp bracket—right
3705	Oil lamp bracket—left
3711	Rubber matting for left control
3711R	Rubber matting for right control
3717	Seat cushion (one piece)

FENDERS AND RUNNING BOARD

2925	Front fender—left
2926	Front fender—right
2927	Rear fender—left
2928	Rear fender—right
	Front fender iron (right or left)
2930	Rear fender iron—right
2931	Rear fender iron—left
2932	Fender iron bolt and nut
2935	Fender eye bolt, nut and washer
	Running board (pressed steel)
2942	Run board shield—left
2943	Run board shield—right
2944	Run board fender bolt and nut
	Run board bracket
	Run board truss rod (front)
	Run board truss rod (rear)
2948	Run board truss rod nut

Part No	Name of Part	Year	Specifications	Price	Code Word	Fac. No.	No. Req. Per Car	P'k'd in Lots of	Weight Lb. Oz.
BODY PARTS—1911 RUNABOUT									
3700	Dash for left control cars	1911	$\frac{3}{4}$ " x $20\frac{1}{4}$ " x $28\frac{1}{2}$ "	\$ 3 00	Fidget	2558	1	1	
3700R	Dash for right control cars	1911	$\frac{3}{4}$ " x $20\frac{1}{4}$ " x $28\frac{1}{2}$ "	3 00	Fiddis	1874	1	1	
3701	Dash bracket—right	1911		50	Figory	2563	1	1	
3702	Dash bracket—left	1911		50	Filbert	2564	1	1	
3703	Dash brass moulding	1911	$67\frac{1}{8}$ "	1 50	Findy	2575	1	1	
3704	Oil lamp bracket—right	1911		30	Fiord	2577	1	1	
3705	Oil lamp bracket—left	1911		30	Firkin	2578	1	1	
3711	Rubber matting for left control cars	1911	$30\frac{3}{4}$ " x $33\frac{3}{8}$ "	1 50	Fitchy	2614	1	1	
3711R	Rubber matting for right control cars	1911	$30\frac{3}{4}$ " x $33\frac{3}{8}$ "	1 50	Fisty	1878	1	1	
3717	Seat cushion (one piece)	1911		10 00	Flagrate	2635	1	1	
FENDERS AND RUNNING BOARDS—1909-10									
2925	Front fender—left	1909-10	Specify color	3 00	Binal	1413A	1	1	
2926	Front fender—right	1909-10	Specify color	3 00	Biped	1414A	1	1	
2927	Rear fender—left	1909-10	Specify color	3 00	Birken	1415B	1	1	
2928	Rear fender—right	1909-10	Specify color	3 00	Bishop	1416B	1	1	
	Front fender iron (right or left)		Specify No. 4809						
2930	Rear fender iron—right	1909-10		1 50	Bitter	342B	1	1	
2931	Rear fender iron—left	1909-10		1 50	Blatant	349B	1	1	
2932	Fender iron bolt and nut	1909-10		05	Blatter	345-346	12	12	
2935	Fender eye bolt, nut and washer		Specify 4819						
	Running board (pressed steel)		Specify 4812						
2942	Run board shield—left	1909-10	Specify color	2 00	Bluing	1408A	1	1	
2943	Run board shield—right	1909-10	Specify color	2 00	Bluster	1409A	1	1	
2944	Run board fender bolt and nut	1909-10	$\frac{1}{4}$ " x $1\frac{1}{8}$ "	05	Boaster	1344B-1347B	8	8	
	Run board bracket		Specify No. 4818						
	Run board truss rod (front)		Specify No. 4816						
	Run board truss rod (rear)		Specify No. 4817						
2948	Run board truss rod nut	1909-14	$\frac{1}{16}$ " x 20 thds	02	Boggle	339	8	8	

apply particu-
ng 1909-10-11.
with those in
13-14, are listed
eceding pages

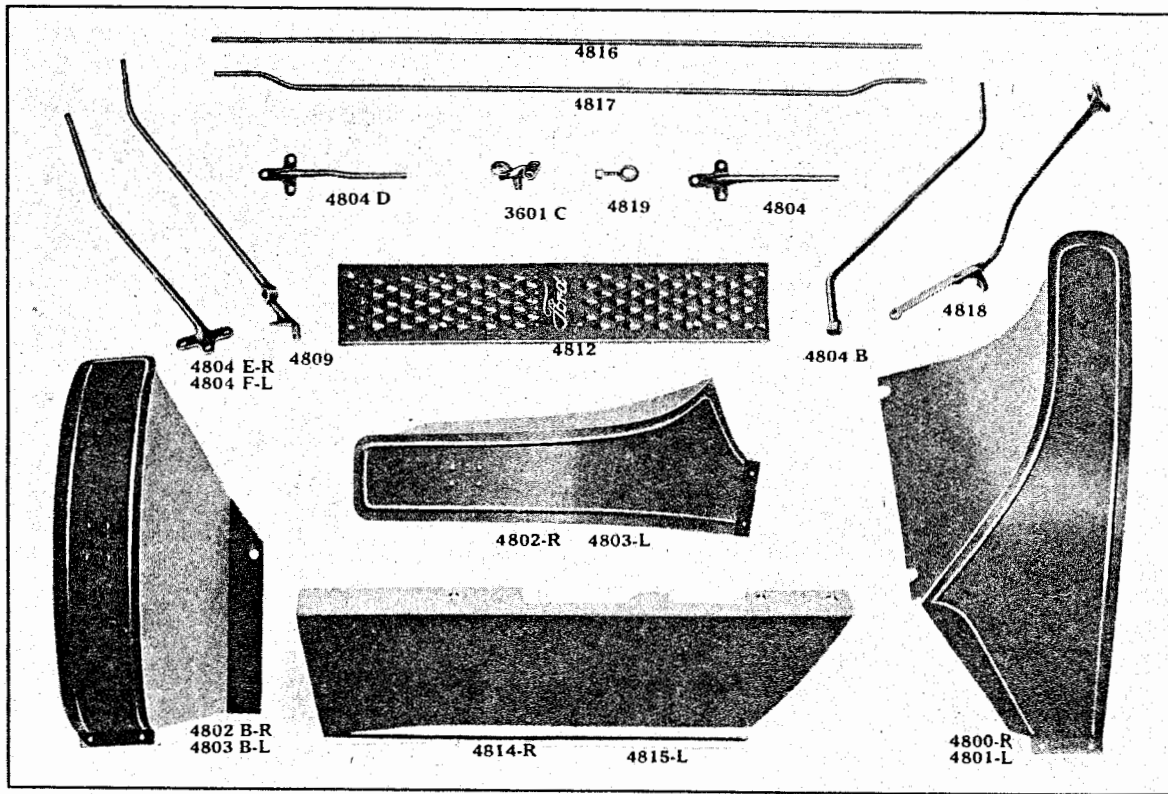


Plate No. 20—Old Style Fender Parts

Ford Model T

Alw

Part No. Name of Part

FENDERS AND RUNNING BOARD:

- 2949... Run board bolt and nut.....
- 2952... Run board shield for Town car—l
- 2953... Run board shield for Town car—r

FENDERS AND RUNNING BOARD

- 4840... Front fender—right.....
- 4841... Front fender—left.....
- 4842... Rear fender—right.....
- 4843... Rear fender—left.....
- 4844... Rear fender iron—right.....
- 4845... Rear fender iron—left.....
- 4846... Running board—right.....
- 4847... Running board—left.....
- 4848... Running board shield—right.....
- 4849... Running board shield—left.....

Order the

- 400A... Cylinder.....
- 401B... Cylinder head.....
- 402A... Cylinder head gasket.....
- 403A... Cylinder cover (front end).....
- 505A... Cylinder cover paper liner.....
- 483A... Cylinder head cap screw.....
- 446A... Outlet brass connection.....
- 446B... Outlet brass connection.....
- 550... Outlet connection screw.....
- 445A... Outlet brass connection gasket...
- 448... Outlet hose.....
- 554B... Outlet hose clip.....

Part No.	Name of Part	Year	Specifications	Price	Code Word	Fac. No.	No. Req. Per Car	P'k'd in Lots of	Weight Lb. Oz.
----------	--------------	------	----------------	-------	-----------	----------	------------------	------------------	----------------

FENDERS AND RUNNING BOARDS—Continued

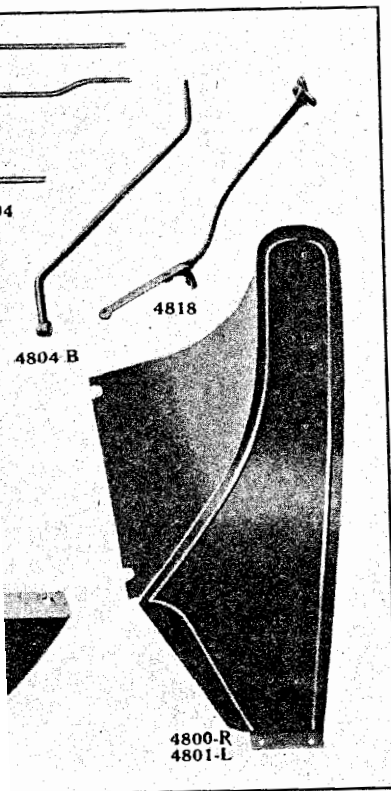
2949	Run board bolt and nut	1909-10	$\frac{5}{8}$ " x $1\frac{3}{4}$ "	\$ 0 05	Bolary	340B-341	8		
2952	Run board shield for Town car—left	1909-10	Green	2 00	Bombard	1620	1		
2953	Run board shield for Town car—right	1909-10	Green	2 00	Bombax	1621	1		

FENDERS AND RUNNING BOARDS—1911 RUNABOUT

4840	Front fender—right	1911	Blue	4 00	Thistle	2561	1		
4841	Front fender—left	1911	Blue	4 00	Thorn	2562	1		
4842	Rear fender—right	1911	Blue	4 00	Thrift	2555	1		
4843	Rear fender—left	1911	Blue	4 00	Throat	2554	1		
4844	Rear fender iron—right	1911		1 50	Thug	382	1		
4845	Rear fender iron—left	1911		1 50	Tiger	381	1		
4846	Running board—right	1911	21 $\frac{3}{8}$ " long	60	Toad	2551	1		
4847	Running board—left	1911	21 $\frac{3}{8}$ " long	60	Toast	2552	1		
4848	Running board shield—right	1911	Blue	2 00	Tonsil	2557	1		
4849	Running board shield—left	1911	Blue	2 00	Towel	2556	1		

Order the Following Parts for Cars Numbering Below 2500

400A	Cylinder	1908-09	$\frac{7}{8}$ " hole for cap screws	24 00	Compound	400A	1		
401B	Cylinder head	1908-09	$\frac{7}{8}$ " hole for cap screws	4 00	Comprint	401B	1		
402A	Cylinder head gasket	1908-09		75	Compunct	402A	1		
403A	Cylinder cover (front end)	1908-09		1 25	Comrade	403A	1		
505A	Cylinder cover paper liner	1908-09	$\frac{3}{4}$ " thick	10	Condite	505A	1		
483A	Cylinder head cap screw	1908-09	$\frac{3}{8}$ " x $2\frac{1}{8}$ " x 24 thds	05	Concept	483A	15		
446A	Outlet brass connection	1908-09	$\frac{3}{8}$ " bolt holes	60	Concoct	446A	1		
446B	Outlet brass connection	1908-09	$\frac{7}{8}$ " bolt holes	60	Concord	446B	1		
550	Outlet connection screw	1908-09	Specify size	05	Conscrew	550A	2		
445A	Outlet brass connection gasket	1908-09		15	Conder	445A	1		
448	Outlet hose	1908-09	1 $\frac{5}{8}$ " x 4 $\frac{1}{4}$ "	40	Condign	448A	1		
554B	Outlet hose clip	1908-09	2 $\frac{1}{8}$ " dia.	10	Condole	554A	2		



Part No.	Name of Part	Year	Specifications	Price	Code Word	Fac. No.	No. Req. Per Car	P'k'd in Lots of	Weight Lb. Oz.
Order the Following Parts for Cars Numbering Below 2500—Continued									
442A...	Cylinder water inlet brass connection.	1908-09	1½" long.	\$ 0 30	Condog.	442A.	1		
444...	Cylinder water inlet pack nut.	1908-09	1¾" x 18 thds.	15	Conduce.	444.	1		
586...	Piston assembly (obsolete).	1908-09	Substitute 3020 and 3024.		Condil.	568A.	4		
419A...	Piston pin.	1908-09	4½" x 3 11⁄16"	35	Confess.	419A.	4		
420...	Piston pin screw.	1908-09	5⁄16" x 1" x 18 thds.	05	Confide.	420.	4		
587...	Connecting rod assembly (obsolete).	1908-09	Substitute 3020 and 3024.	3 00	Confix.	587A.	4		
423...	Connecting rod piston pin bushing.	1908-09	4½" bore x 1½" dia. x 1¼" long.	25	Congree.	423.	4		
498A...	Crank shaft.	1908-09	25" long.	12 00	Conger.	498A.	1		
530...	Crank shaft ratchet.	1908-09	1¾" dia. x 1¼" long.	40	Congius.	530.	1		
529A...	Crank shaft ratchet pin.	1908-09	1 1⁄8" x 1 1⁄8" long.	02	Conglobe.	529A.	1		
543A...	Crank case oil tube.	1908-09		50	Congon.	543A.	1		
800...	Crank case and transmission lower case.	1908-09		12 00	Conjoin.	800A.	1		
551...	Pump assembly.	1908-09		9 00	Hakot.	551.	1		
434...	Pump body.	1908-09		4 00	Hallux.	434.	1		
435...	Pump cover.	1908-09		2 00	Halser.	435.	1		
443...	Pump cover gasket.	1908-09	1 1⁄4" x 5 1⁄2" O. D.	10	Hamite.	443.	1		
452...	Pump cover screw.	1908-09	No. 10, 24 thds.	05	Hamose.	452.	8		
436...	Pump fan.	1908-09		1 00	Hansa.	436.	1		
437...	Pump shaft.	1908-09	4 11⁄16" long.	1 00	Haran.	437.	1		
454...	Pump fan pin.	1908-09	5⁄16" x 1 1⁄4" long.	01	Harbor.	636.	1		
451...	Pump packing nut.	1908-09	3⁄4" x 18 thds., right hand.	25	Harcute.	451.	1		
451 1/2...	Pump packing nut.	1908-09	3⁄4" x 18 thds., left hand.	25	Harlock.	451 1/2.	1		
450...	Pump washer (steel).	1908-09	1 1⁄2" x 1 1⁄16" x 3⁄8" dia.	10	Harod.	450.	1		
576...	Pump drive gear and shaft.	1908-09		2 50	Harpy.	576.	1		
438...	Pump drive gear only.	1908-09	26 teeth, 3 1⁄2" dia.	1 50	Haruz.	438.	1		
439...	Pump drive gear shaft only.	1908-09	5⁄8" dia x 2 1⁄8"	1 00	Hawser.	439.	1		
440...	Pump drive gear shaft bushing—rear.	1908-09	1 1⁄8" x 1"	25	Hazer.	440.	1		
453...	Pump drive gear shaft bushing—front.	1908-09	1 1⁄8" dia. 1 1⁄8"	25	Hebant.	453.	1		
577...	Pump inlet connection assembly.	1908-09		1 00	Hebron.	577.	1		



568 B



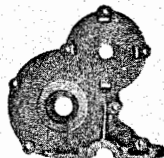
587



521



582



403

250

	Code Word	Fac. No.	No. Req. Per Car	P'k'd in Lots of	Weight Lb. Oz.
--	-----------	----------	------------------	------------------	----------------

ow 2500—Continued

00	Condog	442A	1
5	Conduce	444	1
	Condll	568A	4
5	Confess	419A	4
5	Confide	420	4
00	Confix	587A	4
25	Congree	423	4
00	Conger	498A	1
40	Congius	530	1
02	Conglobe	529A	1
50	Congon	543A	1
00	Conjoin	800A	1
00	Hakot	551	1
00	Hallax	434	1
00	Halser	435	1
10	Hamite	443	1
05	Hamose	452	8
00	Hansa	436	1
00	Haran	437	1
01	Harbor	636	1
25	Harcute	451	1
25	Harlock	451 1/2	1
10	Harod	450	1
50	Harpy	576	1
50	Haruz	438	1
00	Hawser	439	1
25	Hazer	440	1
25	Hebant	453	1
00	Hebron	577	1

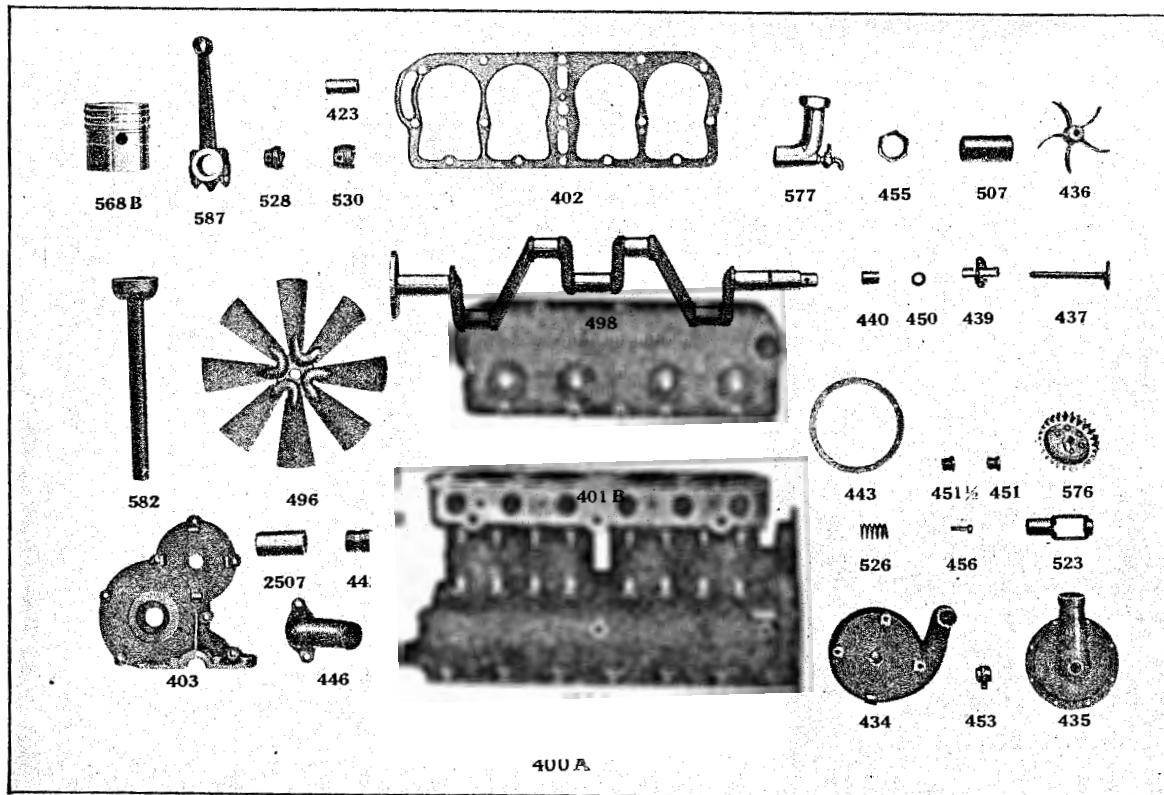


Plate No. 21—Old Style Motor Parts

Part No.	Name of Part	Year	Specifications	Price	Code Word	Fac. No.	No. Req. Per Car	P'k'd in Lots of	Weight Lb. Oz.
Order the Following Parts for Cars Numbering Below 2500—Continued									
556	Pump inlet connection pet cock	1908-09	1/8" pet cock	\$ 0 30	Heifer	556	1		
455	Pump inlet nut	1908-09	1 3/8" x 18 thds.	30	Helek	455	1		
507A	Pump inlet hose	1908-09	1 1/4" x 3"	30	Helix	507A	1		
555	Pump inlet hose clip	1908-09	1 3/8" dia.	05	Helpath	555	2		
456	Pump support screw	1908-09	5/8" x 1" x 24 thds.	05	Hemal	456	3		
496 1/2	Radiator fan and shaft	1908-09		2 00	Hepvil	496-437	1		
496	Radiator fan only	1908-09		1 00	Herbar	496	1		
519	Starting crank only	1908-09		1 00	Hinny	519A	1		
522	Starting crank handle bolt nut	1908-09	7/16" x 20 thds.	05	Hippa	522	1		
523A	Starting crank sleeve	1908-09	1" dia. x 3 3/4"	50	Hippola	523A	1		
524	Starting crank collar pin	1908-09	7/16" x 1 1/2"	02	Hipwart	524	1		
525	Starting crank collar	1908-09	1 1/8" x 1/2"	25	Hispld	525	1		
526	Starting crank spring	1908-09	1 1/8" dia. x 1 1/8"	10	Iitite	526	1		
527A	Starting crank ratchet pin	1908-09	7/16" x 1 1/8"	02	Hobah	527A	1		
528A	Starting crank ratchet	1908-09	1 3/8" dia. x 1" long	35	Hobit	528A	1		
723A	Transmission shaft	1908-09	1" x 7 1/2" long	4 40	Depaint	723A	1		
725A	Transmission disc drum	1908-09	1 1/8" x 4 3/8"	3 00	Depeach	725A	1		
726A	Transmission disc drum key	1908-09	"C" Woodruff	10	Deploy	726A	1		
716A	Triple gear bushing	1908-09	1 1/8" bore x 1" dia. x 1"	50	Depore	716A	3		
1100	Radiator	1908-09	Pump circulation	28 00	Hussar	1100A	1		

REAR AXLE PARTS

2507	Axle shaft babbit bearing	1909		80		51	2		
2533	Drive shaft babbit bearing tubing		Discontinued, substitute No. 2580B				1		
2595	Drive shaft (substitute 2595D)		For straight bore pinion	3 50	Banish	87C	1		
2597	Drive shaft pinion (substitute 2595D)		Straight bore	2 00	Baneful	16B	1		

***BRASS BODY COMMUTATOR**

3200	Commutator	1909-11	Substitute No. 3160 on cars above 2500	1 50	Cortan	404C	1		
3201	Com. body	1909-11	Brass	1 00	Cortum	457C	1		

*Illustrated on page twenty-five.

Ford Model T

Part No. Name of Part

BRASS BODY COMMUTATOR

3202	Com. cover								
3204	Com. body screw								
3205	Com. brush								
3208A	Com. fibre with contact point								
3208B	Com. fibre with contact point								
3208C	Com. fibre with contact point								
3211	Com. contact point fibre ins								

KINGSTON COIL PARTS—1909

4201	Adjusting screw with plat. p								
4202	Vibrator spring with plat. p								
4203	Vibrator hammer								
4219	Switch plug								
4234	Vibrator spring with plat. p								
4235	Adjusting screw with plat. p								
4238	Coil unit								
4663	Vibrator bridge with plat. p								
4665	Unit knurled adjusting screw								
4666	Vibrator with plat. point								
4667	Vibrator spring								
4699	Switch lever assembly								

COTTER PINS

3/8" x 1"	cotter pins								
3/8" x 3/4"	cotter pins								
1/8" x 1"	cotter pins								
	Price, each								
	Price, per dozen								
	Price, per gross								

NUTS

3/8"—24 thds.									
This size nut used on following parts									

Price	Code Word	Fac. No.	No. Req. Per Car	P'k'd in Lots of	Weight Lb. Oz.
ing Below 2500—Continued					
\$ 0 30	Heifer	556	1	1	
30	Helek	455	1	1	
30	Helix	507A	1	1	
05	Helpath	555	2	1	
05	Hemal	456	3	1	
2 00	Hepvil	496-437	1	1	
1 00	Herbar	496	1	1	
1 00	Hinny	519A	1	1	
05	Hippa	522	1	1	
50	Hippola	523A	1	1	
02	Hipwart	524	1	1	
25	Hispid	525	1	1	
10	Hitite	526	1	1	
02	Hobah	527A	1	1	
35	Hobit	528A	1	1	
4 40	Depaint	723A	1	1	
3 00	Depeach	725A	1	1	
10	Deploy	726A	1	1	
1 00	Depore	716A	3	1	
28 00	Hussar	1100A	1	1	
80		51	2	1	
ute			1	1	
ion	3 50	Banlsh	87C	1	
	2 00	Baneful	16B	1	
on	1 50	Cortan	404C	1	
	1 00	Cortum	457C	1	

Part No.	Name of Part	Year	Specifications	Price	Code Word	Fac. No.	No. Req. Per Car	P'k'd in Lots of	Weight Lb. Oz.
BRASS BODY COMMUTATOR—Continued									
3202	Com. cover	1909-11	.3" dia.	\$ 0 15	Cortuse	461B	1	1	
3204	Com. body screw	1909-11	No. 10-32 x 1 1/8"	02	Conus	463B	4	1	
3205	Com. brush	1909-11	State size of roller	50	Convent	574	1	1	
3208A	Com. fibre with contact points	1909	5/8" x 2 3/4" dia.	1 00	Convive	575A	1	1	
3208B	Com. fibre with contact points	1910	3/4" x 2 1/4" dia.	1 00	Convoke	575B	1	1	
3208C	Com. fibre with contact points	1911	1/2" x 2 1/4" dia.	1 00	Convoy	575C	1	1	
3211	Com. contact point fibre insulator	1909-10	1/8" x 1/4" long	05	Copol	473B	4	1	

KINGSTON COIL PARTS—1909-10-11

4201	Adjusting screw with plat. point	1909-10		75	Maestro	3048A	4	1	
4202	Vibrator spring with plat. point	1909-10		75	Magbish	3045A	4	1	
4203	Vibrator hammer	1909-10		10	Magne	3050A	4	1	
4219	Switch plug	1909-10		25	Marine	3065A	1	1	
4234	Vibrator spring with plat. point	1911		75	Matriz	3050D	4	1	
4235	Adjusting screw with plat. point	1911		75	Mattress	3044D	4	1	
4238	Coil unit		Order No. 4713, page 47						
4663	Vibrator bridge with plat. point	1911	Used with metal cov'd unit	75	Medial	4717	4	1	
4665	Unit knurled adjusting screw	1911	Used with metal cov'd unit	25	Meedate	4723	4	1	
4666	Vibrator with plat. point	1911	Used with metal cov'd unit	75	Mansae	4720	4	1	
4667	Vibrator spring	1911	Used with metal cov'd unit	10	Mensalt	4725	4	1	
4699	Switch lever assembly	1911	Used with metal cov'd unit	35	Marchet		1	1	

COTTER PINS

	Fac. No.	Fac. No.
3/8" x 1" cotter pins	125	66
3/8" x 3/4" cotter pins	85	544
1/8" x 1" cotter pins	82	88
3/8" x 1/2" cotter pins		
1/8" x 1/2" cotter pins		
3/8" x 5/8" cotter pins		
Price, each		\$0 01
Price, per dozen		05
Price, per gross		25

NUTS

3/8"—24 thds.	\$0 02
This size nut used on following parts: 2514, 2554, 2584, 2722, 2729, 2932, 3073, 3074, 3362, 3437, 3443, 3540, 3541, 3642, 3929, 4034.	

General Index

	Page		Page
Axle (Rear).....	8	Magneto.....	25
Rear Axle, Plate No. 1.....	9	Magneto, Plate No. 7.....	26
Axle (Front).....	12	Motor.....	18
Front Axle, Plate No. 2.....	13	Motor, Plate No. 4.....	19
Body Parts.....	38	Motor, Plate No. 5.....	21
Carburetor, Kingston, 1913-14.....	47	Muffler.....	45
Carburetor, Holley, 1913-14.....	50	Radiator.....	43
Kingston and Holley, Plates No. 14 and 15 ..	48-49	Radiator and Starting Crank, Plate No 12....	44
Coil, Heinze.....	50	Running Boards.....	54
Coil, Ford.....	52	Special Tools.....	56
Heinze & Ford, Plate No. 16.....	51	Tools, Plate No. 19.....	57
Coil, Kingston.....	52	Springs.....	41
Kingston, Plate No. 17.....	53	Springs, Plate No. 11.....	42
Commutator.....	23	Starting Crank.....	43
Commutator, Plate No. 6.....	24	Steering Gear.....	34
Fenders.....	54	Steering Gear, Plate No. 10.....	36
Fenders, Plate No. 18.....	55	Transmission.....	27
Fenders, Old Style, Plate No 20.....	60	Transmission, Plate No. 8.....	29
Frame.....	17	Transmission Cover and Control, Plate No 9...	32
Gasoline Tank.....	17	Wheels.....	15
Hood.....	45	Wheels and Gasoline Tank, Plate No. 3.....	16
Hood and Muffler, Plate No. 13.....	46	Wiring.....	47

For Parts of Model T cars built during 1909-10-11—See Page 58

Old Style Motor, Plate No. 21, Page 63

**Mail this Sheet to the Ford Motor Company of Canada, Limited,
Ford, Ontario**

If you have not already sent in your name to us as the owner of a Model T Car, we ask you to kindly fill in this sheet, then tear it out of the book and mail to the Ford Motor Company of Canada, Limited, Ford, Ont. We want to keep our list of Ford owners complete, so request the co-operation of every Model T owner.

Date 191

Model T (Style of Body)

Specify Touring, Torpedo-Runabout, Town Car, Commercial-Roadster (Rumble Seat Type) or Delivery Car.

Car Number is

Car number is given on small metal plate fastened on left side of dash, beside coil box.

Motor Number is

Motor number is given on left side of cylinder casting, directly over the water connection.

Car Purchased from

of

Date 191

Name

Address

PRICE
LIST of
PARTS



Model T

