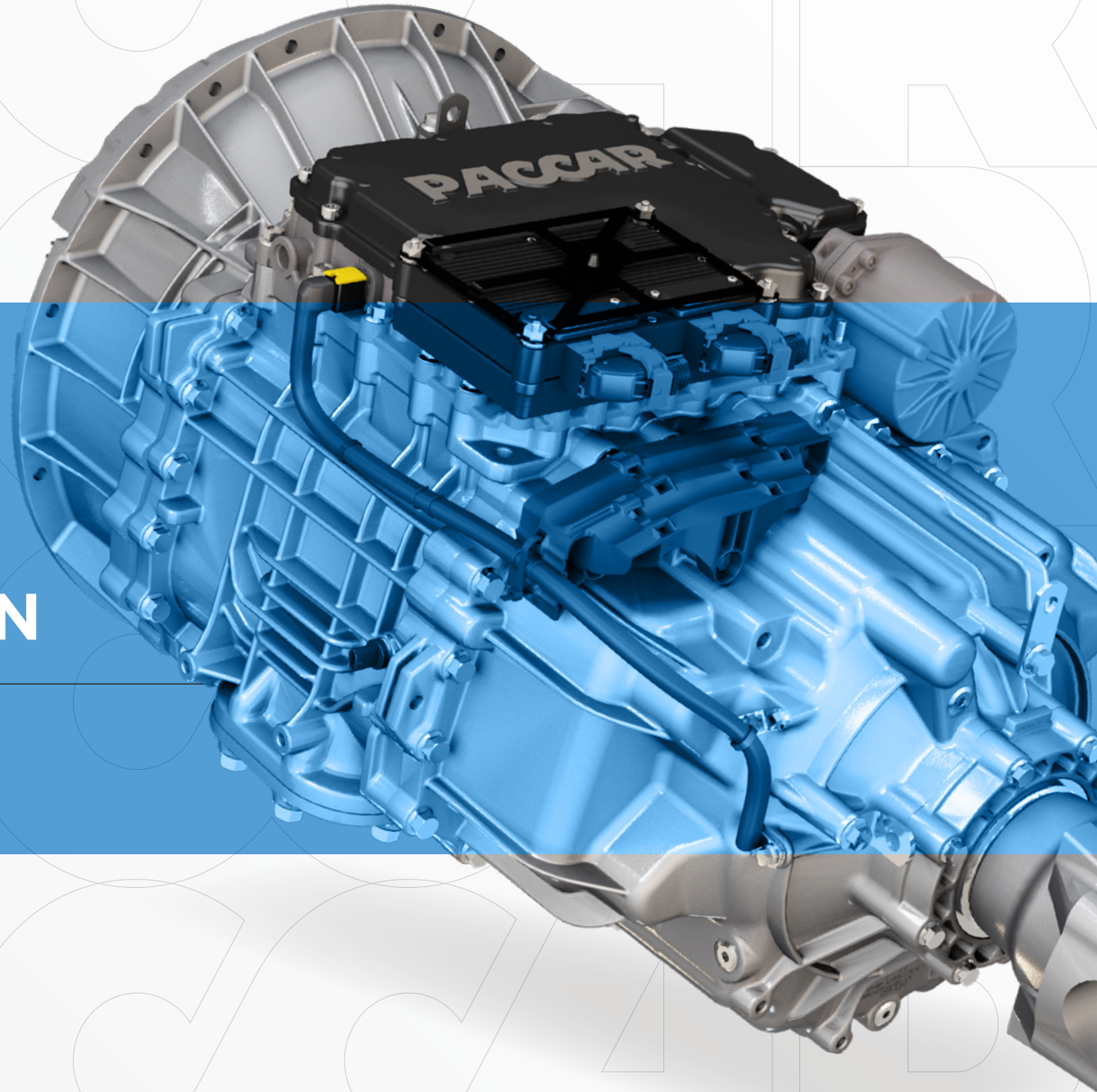


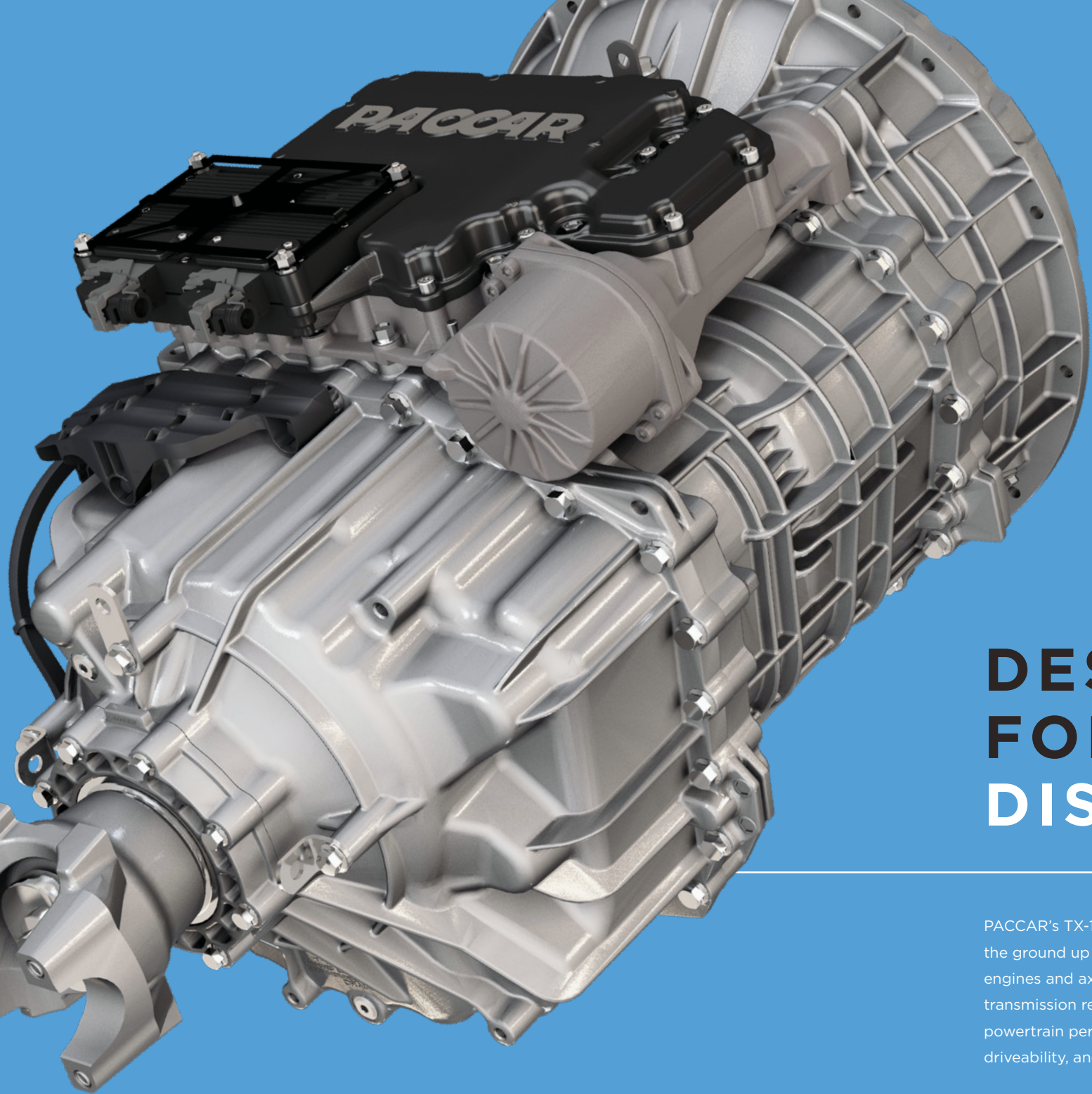
**PACCAR** TRANSMISSIONS

**PACCAR** TX-12

**AUTOMATED  
TRANSMISSION**

**POWERED BY QUALITY**





## DESIGNED FOR THE DISTANCE

PACCAR's TX-12 transmission was designed from the ground up to work seamlessly with PACCAR MX engines and axles. The purpose-built automated transmission represents a major advancement in powertrain performance, productivity, efficiency, driveability, and return on investment.

### SMARTER BY DESIGN

PACCAR's TX-12 transmission is the lightest in its class. Featuring a weight-saving robust aluminum housing and coolerless lubrication system, the 1,850 LB.-FT. torque-capable heavy-duty transmission weighs 105 pounds less than comparable automated transmissions. Fully integrated communication between the engine and TX-12 smooths operation. The PACCAR TX-12 offers the best overall gear ratio coverage available, with excellent low-speed maneuverability.

### BUILT-IN RELIABILITY

PACCAR protects your investment with a series of industry-exclusive preventive maintenance features. The transmission fluid pressure sensor, for example, notifies the driver of low oil conditions to prevent gear burnup and comes backed by burnup protection. Smart prognostics for clutch replacement helps you to better plan maintenance schedules. The electrical system is fully encased, minimizing exposure and corrosion to wires and connections. A vehicle oil-coalescing air filter protects the transmission system from contamination. And there is so much more, all designed for unprecedented dependability.

### SIMPLIFIED MAINTENANCE

The PACCAR TX-12 greatly reduces downtime and maintenance cost. Your first lube change interval occurs at 750,000 miles and requires only 16 pints of oil—nearly half of what similar transmissions specify. A greaseless 430mm self-adjust clutch is maintenance free. The input shaft wear sleeve can be replaced quickly and easily—without a costly and time-consuming teardown.

### SOLID SUPPORT

The PACCAR TX-12 is quality-manufactured for a long service life and comes with a five-year or 750,000 mile warranty. The clutch carries a three-year, 350,000 mile warranty. Several extended protection plan options are also available. When it's time for maintenance, you can count on expert, factory-trained technicians available at hundreds of dealer locations throughout North America. In addition, PACCAR offers 24/7 emergency roadside assistance through its Vehicle Support Center for as long as you own your truck.

### PRECISION-BUILT FOR GREATER EFFICIENCY, PRODUCTIVITY, AND PROFITABILITY

These innovative design enhancements result in an automated transmission that delivers significant long-term operating advantages to owners and operators of PACCAR powered trucks.



# ADVANCED ENGINEERING

PURPOSE-BUILT AUTOMATED TRANSMISSION; NOT CONVERTED FROM A MANUAL TRANSMISSION.

LINEAR CLUTCH ACTUATOR (LCA)

INTERNAL SENSORS & WIRING

INTEGRATED PNEUMATIC ACTUATION SYSTEM

TRANSMISSION CONTROL MODULE (TCM)

LIMP HOME MODE

12-SPEED TWIN COUNTERSHAFTS, HELICAL GEARING

FLUID PRESSURE SENSOR

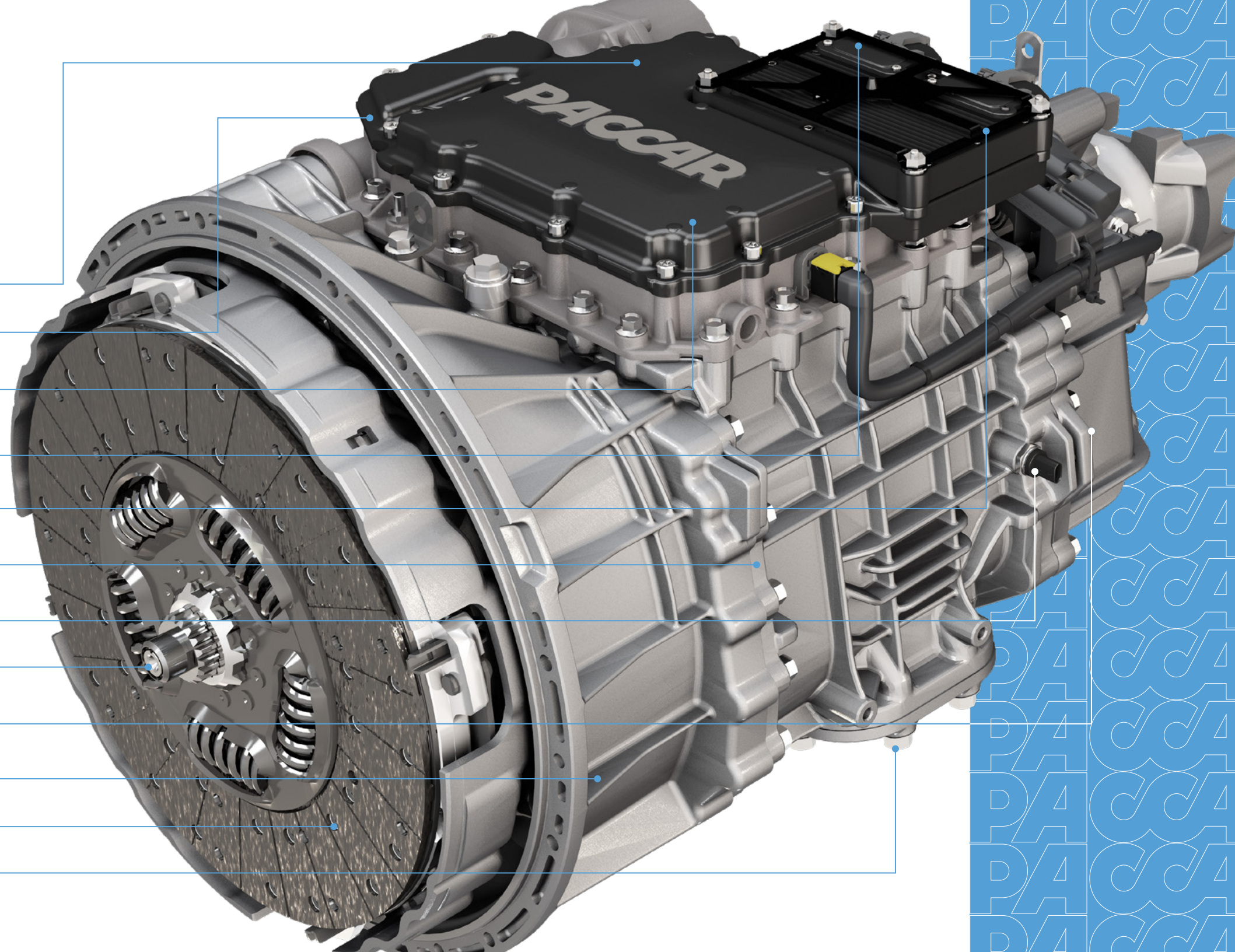
INPUT SHAFT WEAR SLEEVE

COOLERLESS PRECISION LUBRICATION SYSTEM

ALL-ALUMINUM ENCLOSURES

CLUTCH LIFE PROGNOSTICS

8-BOLT PTO OPENING



## INTELLIGENT TECHNOLOGY SIMPLIFIES OPERATION AND IMPROVES PERFORMANCE

PACCAR's TX-12 transmission comes with a suite of impressive technology features designed to make it easier to deliver loads as cost-effectively as possible.

FEATURE	DEFINITION
<b>HILL START AID</b>	Prevents unintended roll back or roll forward. When the grade exceeds the programmed threshold, foundation brakes hold the truck for a controlled launch. It works when pointing uphill in drive or facing downhill in reverse.
<b>AUTO NEUTRAL</b>	Automatically switches the transmission into neutral once the parking brake is engaged to prevent potential movement.
<b>ENGINE OVERSPEED PROTECTION</b>	The transmission system upshifts if necessary to prevent engine over-speeding in Drive, Manual, and Low modes.
<b>ENHANCED ENGINE BRAKING</b>	Downshifts the transmission to help slow the truck on long, steep descents and increases brake pad life.
<b>URGE TO MOVE</b>	Drivers simply release the brake pedal to automatically move forward, similar to the feel of a passenger car.
<b>CREEP MODE</b>	Enables the driver to "creep" at low speeds, offering ultimate control.
<b>NEUTRAL COAST</b>	Fuel-saving feature that disengages the driveline on slight downhill grades.
<b>OPTIMIZED GEAR SELECTION</b>	The transmission selects the appropriate starting gear and makes optimized shift decisions, skipping shifting when appropriate based on grade, vehicle weight, engine torque, and throttle position.
<b>INTEGRATED PREDICTIVE FEATURES</b>	When paired with the optional Predictive Cruise Control system, the PACCAR TX-12 offers additional fuel savings through the integration of Predictive Cruise Control, Predictive Shifting, and Predictive Neutral Coast.



## DRIVING SMARTER HAS NEVER BEEN THIS EASY

Of all the variables that contribute to an efficient operation, how well a truck can be driven is still the one factor that matters most.

### IMPROVED DRIVER PERFORMANCE

Optimized shifting and clutch engagement makes the vehicle easier and more productive to operate. PACCAR's automotive-style column shifter allows the driver to keep both hands on the wheel, concentrating on traffic and the road ahead.

### BETTER FUEL ECONOMY, FLEET-WIDE

The PACCAR TX-12 constantly monitors changes in road grade, vehicle speed, acceleration, torque demand, weight, and engine load to keep the truck in the most fuel-efficient gear possible. These intelligent features will not only improve performance but also driver confidence. And drivers new to the business find they can reach a high level of productivity sooner.

### ENHANCED RECRUITMENT AND RETENTION

Running trucks that are easier to operate helps fleets expand their pool of recruits. Training is simplified and less time consuming. New drivers reach optimal performance sooner. And drivers of all experience levels find the job more satisfying when matched with the intuitive control features and quality they've come to expect from PACCAR-powered trucks—a big reason fleets tend to retain their best people longer.

### YOUR PAYOFF

Better, more consistent driving habits throughout your fleet—dedicated to optimizing every drop of fuel.

### A PACCAR EXCLUSIVE

The PACCAR TX-12 comes standard with an ergonomic, automotive-style column shifter that is simple and intuitive to operate. Transmission controls include Drive, Neutral, Reverse, and Manual modes as well as a selector for the engine brake.



## SPECIFICATIONS

GEARS	12 Forward / 2 Reverse
LOWER CRUISE SPEED LIMIT	1,100 RPM
TORQUE CAPACITY	1,850 LB.-FT.
OIL CAPACITY	16 PTS.
SYSTEM WEIGHT (TRANSMISSION, CLUTCH & OIL)	657 LBS.
MAXIMUM OPERATING WEIGHT	110,000 LBS.
PTO MAXIMUM CAPACITY	8 Bolt, Bottom Mount, 95 HP
BURNUP PROTECTION	Oil Pressure Sensor

## WARRANTY COVERAGE

TRANSMISSION	5 YRS./750,000 MI.
CLUTCH	3 YRS./350,000 MI.

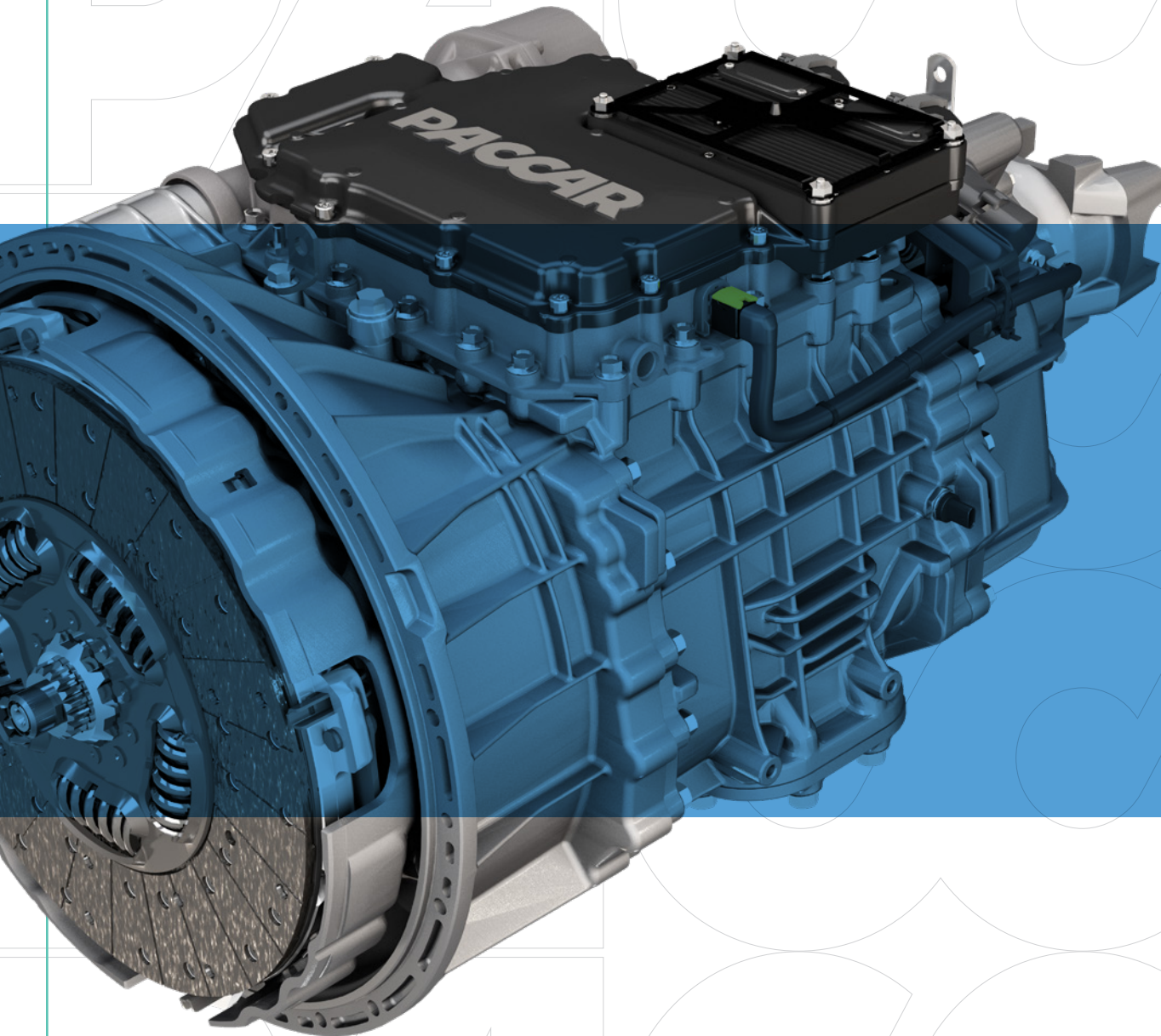
## MAINTENANCE INTERVALS

TRANSMISSION	750,000 MI. Oil Change
CLUTCH	Maintenance Free

## RATIOS

1 <sup>ST</sup>	14.43
2 <sup>ND</sup>	11.05
3 <sup>RD</sup>	8.44
4 <sup>TH</sup>	6.46
5 <sup>TH</sup>	4.95
6 <sup>TH</sup>	3.79
7 <sup>TH</sup>	2.91
8 <sup>TH</sup>	2.23
9 <sup>TH</sup>	1.70
10 <sup>TH</sup>	1.30
11 <sup>TH</sup>	1.00
12 <sup>TH</sup>	0.77
REVERSE 1	16.92
REVERSE 2	12.95
OVERALL	18.85





## SUPPORT YOU CAN COUNT ON

You can count on expert, factory-trained technicians available at hundreds of PACCAR Powertrain distributor locations throughout North America. In addition, PACCAR offers 24/7 emergency roadside assistance through its Vehicle Support Center.

**VISIT [WWW.PACCARPOWERTRAIN.COM](http://WWW.PACCARPOWERTRAIN.COM) TO FIND YOUR LOCAL DEALER**

**PACCAR POWERTRAIN**

PACCAR Inc. - P.O. Box 1518,  
Bellevue, WA 98009

©2021 PACCAR Inc.  
PACCAR TX-12 Brochure 21

Note: Equipment and specifications shown in this brochure are subject to change without notice. Consult with your PACCAR Powertrain distributor at time of ordering for standard and optional equipment. PACCAR MX-11, MX-13, PX-7, PX-9, TX-8, TX-12, DX-40, FX-20/22 are trademarks of PACCAR Inc.

