

INTERNATIONAL®



D-1300

RATINGS

MAXIMUM GROSS VEHICLE WEIGHTS:

Standard.....	7,000 lbs.
With Heavy-duty Rear Springs.....	8,800 lbs.

STANDARD EQUIPMENT

AXLE, FRONT

FA-10 3,100-lb capacity
Heat-treated forged-steel I beam

AXLE, REAR

RA-15 6,000-lb capacity
Hypoid single reduction, 11" ring gear
Full floating axle shafts
Ratios: 4.30, 4.87, 5.57 or 6.17 to 1

BRAKES, PARKING

Mechanical control of rear service brakes
Foot pedal applied, finger lever released
Total lining area: 121.7 sq. inches

BRAKES, SERVICE

Hydraulic
Single-cylinder, single-piston front
Single-cylinder, double-piston rear
Size: 12 x 1 3/4" front, 14 x 2 1/4" rear
Total lining area: 203.2 sq. inches

CAB

All steel, with safety glass windows and sweep-around windshield
Door locks both sides with safety latches
Non-glare instrument panel with ammeter, fuel, water temperature and oil pressure gauges
Full width adjustable seat, with Torflex spring construction, vinyl upholstery and polyurethane foam cushion

CAB (Continued)

Acoustical roof headliner
Rubber floor mat with sound deadening insulation
Sun visor for driver; inside rear view mirror
Ash tray; hand choke
Two-speed electric windshield wipers

CLUTCH

10-inch 9-spring single-plate
Hydraulic control; vibration dampener

COOLING SYSTEM

16.2-quart system capacity
Radiator frontal area: 490 sq. inches

ELECTRICAL SYSTEM

12-volt 37-amp alternator
50 amp-hr, 54-plate battery
Fuse panel in glove compartment
Dual stop and tail lights
Dome light; single electric horn
Directional signals: front in parking lights, rear in stop lights

ENGINE

International BG-241 gasoline six
Gross BHP: 140.8 @ 3800 rpm
Gross torque: 223.5 lb-ft @ 2000 rpm
241 cu. in. displmt.; 7.5 to 1 compr. ratio
Oil bath air cleaner; full-flow oil filter

FINISH

Chassis and bumper: black
Hood, cab, fenders and wheels:
choice of any standard IH color

FRAME

Pressed steel channel main rails
7 x 3 x 0.179"; 4.81 section modulus
Formed-channel front bumper

FUEL TANK

19-gallon mounted under cab

STEERING

S-3 gear with 17-inch steering wheel

SUSPENSION

Semi-elliptic steel leaf springs
Front: 2 1/2 x 46"; 3,260-lb capacity
Rear: 2 1/2 x 52"; 6,000-lb capacity
Front shock absorbers

TRANSMISSION

T-7 HD three-speed synchromesh, direct
Floor mounted gear shift lever
Ratios: 3.71, 1.87, 1.00; 4.59 rev.

WHEELS AND TIRES

Single front and rear with spare rim
8x17.5 6-PR truck type tires
6-stud disc wheels with 5.25 rims

OPTIONAL EQUIPMENT

BODIES

8 1/2-ft regular pickup body, with underslung tire carrier
8 1/2-ft Bonus-Load pickup body, with inner body tire carrier
8-ft stake or platform body
9-ft stake or platform body

BRAKES, SERVICE

Vacuum power assist system

CAB

Custom trim package
Recirculating heater and defroster
Fresh air heater and defroster
Super capacity heater and defroster
Flat back cowl or front end section, in lieu of cab
Tinted glass; glove compartment lock
Chrome cowl mirrors, single or dual
Fixed outside rear view mirrors, left or right
Extension type rear view mirrors, left or right
Right side sun visor
Left or right side arm rest
Rear fenders for dual rear tires, with regular pickup body

CLUTCH

11-inch 9-spring
12-inch 12-spring

COOLING SYSTEM

Increased capacity system
Permanent anti-freeze: -10°F or -40°F

ELECTRICAL SYSTEM

52-amp alternator
60 or 70 amp-hr battery
Dual electric horns
Traffic hazard switch; cigar lighter
Three front marker lights
Two front corner lamps

ENGINE

V-266 154.8-BHP gasoline V8
V-304 193.1-BHP gasoline V8
V-304 LPG 180-BHP LPG six
BG-241 LPG 131.8-BHP LPG six
Auxiliary by-pass oil filter
Heavy-duty oil bath air cleaner
High altitude equipment
Magnetic fan drive
Hand throttle control; carburetor heater
Velocity-type engine governors

FRAME

Underslung tire carrier, for Bonus-Load pickup body, chassis and cab
Left side mounted outside tire carrier, with regular pickup body
Spare tire lock
Chrome front and rear bumper
Black rear bumper

STEERING

Hydraulic power assist system

SUSPENSION

4,020-lb capacity HD front springs
7,240-lb capacity HD rear springs
7,800-lb capacity main and auxiliary rear springs

TRANSMISSION

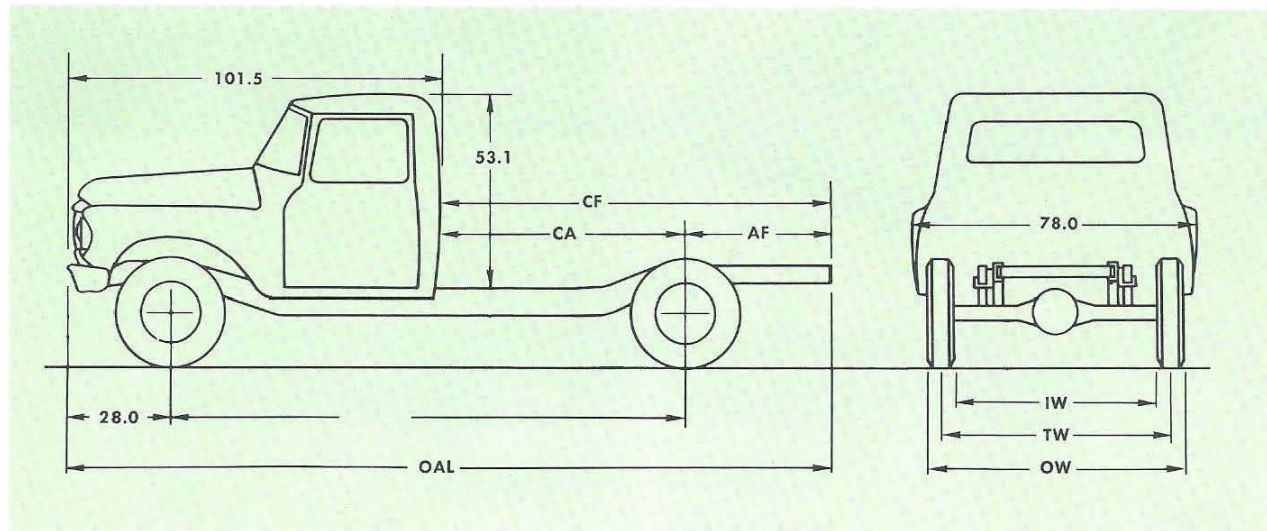
T-15 HD four-speed with floor-mounted control lever
T-28 three-speed automatic

WHEELS AND TIRES

Optional tire sizes as shown on back page
Chrome front hub caps

Illustration May Include Optional Equipment

DIMENSIONS AND WEIGHTS



DIMENSIONS with 7 x 17.5 TIRES		
Overall Width: 78" at front fenders	Ground Clearance: 7.4" at front axle	Frame Height at Rear Axle: 28.6" empty
Overall Height: 70.7" at top of cab	7.3" at rear axle	25.5" loaded

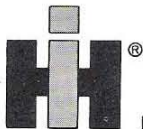
CHASSIS DIMENSIONS and WEIGHTS									
WB	CHASSIS WEIGHTS, LBS.*			DIMENSIONS				TURNING RADIUS	
	Front	Rear	Total	CA	CF	AF	OAL	To Centerline of Tire	With Bumper Clearance
122"	2,425	1,185	3,610	49"	85.5"	36.5"	187"	20 ft. 6 in.	22 ft. 0 in.
131"	2,435	1,195	3,630	57.5"	103.5"	46"	205"	22 ft. 0 in.	23 ft. 3 in.
134"	2,435	1,200	3,635	60.5"	103.5"	43"	205"	22 ft. 3 in.	23 ft. 9 in.

*Chassis and cab with standard equipment, oil, fuel and water.

TIRE DIMENSIONS: With Pickup Body												
Tire Size	TUBELESS ON DISC WHEELS						TIRES AND TUBES ON DISC WHEELS					
	7x17.5		8x17.5		8x19.5		6.50x16		7.00x17			
Rim Size	5.25		5.25		5.25		4.50E		5.00R			
Single or Dual Rear	Single	Dual	Single	Dual	Single	Dual	Single	Dual	Single	Dual	Single	Dual
Outside width OW	67.2"	86.2"	67.6"	86.6"	70.1"	—	—	84.6"	—	—	86.5"	—
Tread width TW	59.9"	69.4"	59.9"	69.4"	62.4"	—	—	69.4"	—	—	69.6"	—
Inside width IW	52.6"	52.6"	52.2"	52.2"	54.7"	—	—	54.3"	—	—	52.6"	—
Chain clearance	5.1"	5.1"	—	4.9"	6.1"	—	—	5.9"	—	—	5.1"	—
Front tread	61.2"	61.2"	—	61.2"	63.7"	—	—	62.5"	—	—	61.3"	—

TIRE DIMENSIONS: Without Body or Body Other Than Pickup														
Tire Size	TUBELESS ON DISC WHEELS						TIRES AND TUBES ON DISC WHEELS							
	7x17.5		8x17.5		8x19.5		6.50x16		7.50x16		7.00x17			
Rim Size	5.25		5.25		5.25		4.50E		5.50F		5.00R			
Single or Dual Rear	Single	Dual	Single	Dual	Single	Dual	Single	Dual	Single	Dual	Single	Dual	Single	Dual
Outside width OW	65.2"	84.2"	65.6"	84.6"	68.1"	—	66.1"	82.6"	67.4"	—	65.4"	84.5"	—	—
Tread width TW	57.9"	67.4"	57.9"	67.4"	60.4"	—	59.2"	61.4"	59.2"	—	58.0"	67.6"	—	—
Inside width IW	50.6"	50.6"	50.2"	50.2"	52.7"	—	52.3"	52.3"	51.0"	—	50.6"	50.6"	—	—
Chain clearance	4.1"	4.0"	3.9"	3.8"	5.1"	—	4.9"	4.9"	4.2"	—	4.0"	4.0"	—	—
Front tread	61.2"	61.2"	61.2"	61.2"	63.7"	—	62.5"	62.5"	62.5"	—	61.3"	61.3"	—	—

In order that product improvements may be introduced at any time, specifications are subject to change without notice.



INTERNATIONAL HARVESTER COMPANY • NORTH MICHIGAN AVE. • CHICAGO, ILLINOIS

CT-400

AD-4238-R2. 11-2-P.

ORDER AD SPEC. SHEETS ON AD-4130.

Litho in United States of America

1965