

INTERNATIONAL®



1300 A 4x4

RATING

MAXIMUM GROSS VEHICLE WEIGHT: 10,000 lbs.

STANDARD EQUIPMENT

AXLE, FRONT

FA-52 4,000-lb capacity driving
Hypoid single reduction, 10½" ring gear
Ratios: 4.87 or 6.17 to 1

AXLE, REAR

RA-15 6,000-lb capacity
Hypoid single reduction 11" ring gear
Full floating, induction hardened shafts
Ratios: 4.87 or 6.17 to 1

BRAKE, PARKING

Mechanical control of rear service brake
Foot pedal applied, finger lever released
Total lining area: 121.7 sq. inches

BRAKES, SERVICE

Hydraulic: Dual-cylinder double-piston
front and rear
Size: 12 x 2" front, 14 x 2¼" rear
Total lining area: 214.9 sq. inches

CAB

All steel with safety glass windows and
sweep-around windshield
Door locks both sides with safety latches
Non-glare instrument panel with ammeter,
fuel, water temperature and
oil pressure gauges
Full width adjustable seat with Torflex
spring construction, vinyl upholstery
and polyurethane foam cushion
Acoustical roof headliner

CAB (Continued)

Rubber floor mat, with sound deadening
insulation
Sun visor for driver; inside rear view mirror
Ash tray; hand choke
Two-speed electric windshield wipers
Seat belt anchors

CLUTCH

10-inch 9-spring single-plate
Hydraulic control; vibration dampener

COOLING SYSTEM

18.5 quart system capacity
Radiator frontal area: 497 sq. inches

ELECTRICAL SYSTEM

12-volt 37-amp alternator
50 amp-hr, 54-plate battery
Fuse panel in glove compartment
Dual stop and tail lights
Dome light; single electric horn
Directional signals: front in parking lights,
rear in stop lights

ENGINE

International BG-241 gasoline six
Gross BHP: 140.8 @ 3800 rpm
Gross torque: 223.5 lb-ft @ 2000 rpm
241 cu. in. displmt; 7.5 to 1 compr. ratio
Oil bath air cleaner; full-flow oil filter

FINISH

Chassis: black; bumper: white
Hood, cab, fenders and wheels: choice
of any standard IH color

FRAME

Pressed steel channel main rails
7 x 3 x 0.179"; 4.80 section modulus
Formed channel front bumper

FUEL TANK

19-gallon, mounted under cab

STEERING

S-15 gear with 17-inch steering wheel

SUSPENSION

Semi-elliptic steel leaf springs
Front: 2½ x 42"; 4,410-lb capacity
Rear: 2½ x 52"; 6,000-lb capacity
Front and rear shock absorbers

TRANSFER CASE

TC-141 two-speed constant-mesh
Single control lever selects high or
low range and front axle declutch;
permits low range operation in four
wheel drive only
Ratios: 1.96 and 1.00 to 1
Provision for full torque PTO

TRANSMISSION

T-7 HD three-speed synchromesh, direct
Floor-mounted gearshift lever
Ratios: 3.71, 1.87, 1.00; 4.59 rev.

WHEELS AND TIRES

Single front and rear, with spare rim
8-17.5 6-PR truck type tire
6-stud disc wheels with 5.25DC rims

OPTIONAL EQUIPMENT

AXLE, FRONT

Warn locking hubs

BODIES

8½-ft regular pickup body
9-ft stake or platform body

BRAKES, SERVICE

Vacuum power assist system
Vacuum line air cleaner
Vacuum reserve tank with gauge and
warning light

CAB

Deluxe interior trim package
Custom interior trim package
Exterior trim package
Safety package
Flat back cowl or front end section, in
lieu of cab
Recirculating or fresh air heater-defroster
Super-capacity heater-defroster
Sliding rear window
Chrome cowl mirrors, single or dual
Fixed rear view mirror, single or dual
Right side sun visor
Right or left side arm rest

CAB (Continued)

Rear fenders for dual rear tires, with
regular pickup
Glove compartment lock; tinted glass
Electric windshield washers

CLUTCH

11-inch 9-spring
11-inch 12-spring
12-inch 12-spring (V8 engines)

COOLING SYSTEM

Increased capacity system
Permanent anti-freeze: -10°F or -40°F

Illustration May Include Optional Equipment

OPTIONAL EQUIPMENT (Continued)

ELECTRICAL SYSTEM

12-volt 52-amp alternator
60 or 70 amp-hr battery
Dual electric horns; cigar lighter
Traffic hazard switch
Two front cab corner lights
Three front cab marker lights
Front axle warning light
Radio and antenna
Backup lights

ENGINE

BG-265 153.5-BHP gasoline six
V-266 154.8-BHP gasoline V8
V-304 193.1-BHP gasoline V8

ENGINE (Continued)

Automatic choke
Heavy-duty oil bath air cleaner
Magnetic fan drive
Velocity-type engine governors
Hand throttle control; carburetor heater
High altitude equipment
Exhaust emission control

FRAME

Left side mounted outside tire carrier,
for regular pickup
Tire carrier lock
Two front tow hooks
Chrome front and rear bumpers

FRAME (Continued)

White rear bumper

SUSPENSION

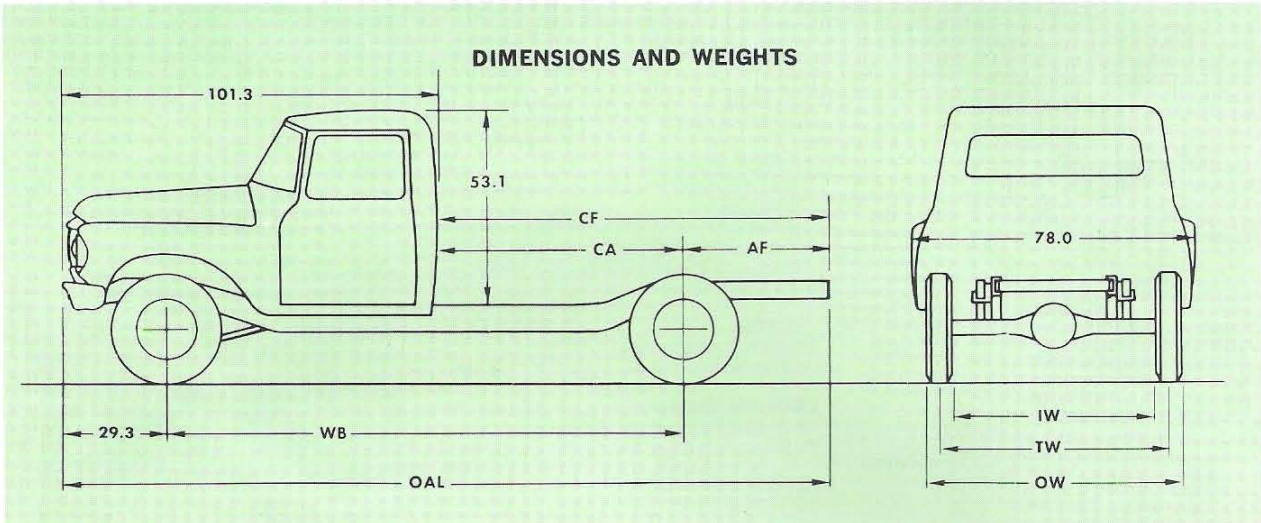
6,860-lb main and auxiliary rear springs

TRANSMISSION

T-16 HD four-speed with floor-mounted
control lever
Front-mounted winch cable and hook
Full torque PTO for transfer case
Transmission-mounted PTO

WHEELS AND TIRES

Optional tire sizes as shown below

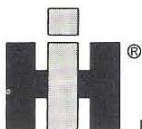


DIMENSIONS with 8 x 17.5 TIRES			
Overall Width: 78" at front fenders	Ground Clearance: 8.5" at front axle	Frame Height at Rear Axle:	34.3" empty
Overall Height: 77" at top of cab	7.9" at rear axle		28.7" loaded

CHASSIS DIMENSIONS and WEIGHTS									
CHASSIS WEIGHTS, LBS.				DIMENSIONS				TURNING RADIUS	
WB	Front	Rear	Total	CA	CF	AF	OAL	To Centerline of Tire	With Bumper Clearance
120"	2,930	1,425	4,355	48"	92.4"	44.4"	193.7"	24 ft. 10 in.	26 ft. 7 in.
129"	2,935	1,430	4,365	57"	101.4"	44.4"	202.7"	26 ft. 7 in.	28 ft. 4 in.
132"	2,940	1,435	4,375	60"	104.4"	44.4"	205.7"	27 ft. 1 in.	28 ft. 10 in.

TIRE DIMENSIONS							
		TIRES AND TUBES ON DISC WHEELS				TUBELESS	
Tire Size		7.00x16	7.50x16	9.00x16	7.50x17	9.00x18	8x17.5
Rim size		5.50F	5.50F	6.50H	6.00S	7.00T	5.25
Single Rear	Outside width OW	68.8"	69.4"	72.0"	71.0"	76.4"	67.3"
	Tread width TW	61.2"	61.2"	62.6"	62.6"	66.3"	59.9"
	Inside width IW	53.6"	53.0"	53.2"	54.2"	56.2"	52.5"
Dual Rear	Outside width OW	86.6"	87.1"	NA	86.0"	NA	NA
	Tread width TW	69.4"	69.4"	NA	67.6"	NA	NA
	Inside width IW	52.3"	51.8"	NA	49.2"	NA	NA
	Chain clearance	5.6"	5.3"	5.4"	5.9"	6.9"	5.0"
Chain clearance		5.0"	4.7"	NA	3.4"	NA	NA
Front Tread		64.2"	64.2"	65.5"	65.5"	66.2"	63.0"

In order that product improvements may be introduced at any time, specifications are subject to change without notice.



INTERNATIONAL HARVESTER COMPANY • 401 NORTH MICHIGAN AVE. • CHICAGO, ILLINOIS 60611

CT-400-D. AD-4240-S3. 2-1-S.

ORDER AD SPEC. SHEETS ON AD-4130.

Litho in United States of America