



INTERNATIONAL®

1300 D 4x4

Vehicle illustrated may include Optional Equipment and does not necessarily include all standard equipment.

RATING

MAXIMUM GROSS VEHICLE WEIGHTS:*

Standard..... 7,000 lbs.
 With Heavy-Duty rear springs..... 10,000 lbs.

*Requires tires of adequate capacity.

STANDARD EQUIPMENT

AXLE, FRONT

FA-52 4,000-lb capacity driving
 Hypoid single-reduction
 Ratio: 4.88 to 1

AXLE, REAR

RA-15 7,500-lb capacity
 Hypoid single-reduction
 Full-floating, induction hardened shafts
 Ratio: 4.87 to 1

BRAKE, PARKING

Mechanical control of rear service brake
 Foot pedal applied, finger lever released
 Total lining area: 147.3 sq. inches

BRAKES, SERVICE

Self-adjusting hydraulic, dual operation
 with warning light
 Dual-cylinder double-piston front and rear
 Size: 12 x 3" front, 12 x 3" rear
 Total lining area: 294.6 sq. inches

CAB

Choice of interior colors: green, blue,
 red or black
 All steel with safety glass windows and
 sweep-around windshield
 Door locks both sides with safety latches
 Non-glare padded instrument panel with
 ammeter, fuel, water temperature and
 oil pressure gauges
 Full width adjustable seat with Torflex
 spring construction, vinyl upholstery
 and polyurethane foam cushion
 Acoustical roof headliner
 Fresh air heater and defroster
 Rubber floor mat, with sound deadening
 insulation
 Padded sun visors; dual arm rests

CAB (Continued)

Ash tray; hand choke
 Two-speed electric windshield wipers and
 electric washers
 Seat belts; shoulder harness anchors
 Chrome door-mounted and inside rear
 view mirrors

CLUTCH

11-inch diaphragm clutch
 Mechanical control

COOLING SYSTEM

17 quart system capacity
 Radiator frontal area: 546 sq. inches
 Permanent type anti-freeze —20°F

ELECTRICAL SYSTEM

12-volt 37-amp alternator
 50 amp-hr, 54-plate battery
 Fuse panel in glove compartment
 Dual stop and tail lights; back-up lights
 Dome light; single electric horn
 Directional signals: front in parking
 lights, rear in stop lights
 Hazard switch
 Front side reflectors

ENGINE

International V-266 gasoline V8
 Gross BHP: 154.8 @ 4400 rpm
 Gross torque: 227.1 lb-ft @ 2800 rpm
 266 cu. in. displmt.; 8.5 to 1 compr. ratio
 Dry type air cleaner; full-flow oil filter
 Aluminized muffler, short tailpipe

FINISH

Chassis: black; bumper: white
 Hood, cab, fenders and wheels: choice
 of any standard IH color

FRAME

Pressed steel channel main rails
 7 x 3 x 0.179"; 4.81 section modulus
 Formed channel front bumper

FUEL TANK

16-gallon, mounted under cab

STEERING

S-60 gear with 17-inch steering wheel
 and energy absorbing anti-penetration
 column

SUSPENSION

Semi-elliptic steel leaf springs
 Front: 2½ x 42", 3,200-lb capacity
 Rear: 2½ x 52", 5,000-lb capacity
 Front and rear shock absorbers

TRANSFER CASE

TC-141 two-speed constant-mesh
 Single control lever selects high or low
 range and front axle declutch; permits
 low range operation in four wheel drive
 only
 Ratios: 1.93 and 1.00 to 1
 Provision for full torque PTO

TRANSMISSION

T-419 four-speed synchromesh, direct
 Floor-mounted gearshift lever
 Ratios: 6.40, 3.09, 1.69, 1.00; rev. 7.82

WHEELS AND TIRES

Single front and rear, with spare rim
 8.00 x 16.5, 8-PR truck type tires
 8-stud disc wheels with 6.00 rims
 6½" bolt circles

OPTIONAL EQUIPMENT

AXLE, FRONT

Warn locking hubs

BODIES

8½-ft regular pickup body with inside
 body tire carrier and rear side reflectors
 9-ft stake or platform body with clear-
 ance, identification and marker lamps

BRAKES, SERVICE

Vacuum power assist system

CAB

Air conditioner
 Interior trim package
 Exterior trim packages
 Super-capacity heater-defroster
 Sliding rear window
 Chrome door-mounted mirror, pas-
 senger side
 Right rear view mirror
 Front bucket seats with console

CAB (Continued)

Truck type outside mirrors
 Glove compartment lock; tinted glass

CLUTCH

11-inch HD diaphragm type
 11-inch angle link

COOLING SYSTEM

Increased capacity system

OPTIONAL EQUIPMENT (Continued)

ELECTRICAL SYSTEM

12-volt, 52 or 61-amp alternator
 60 or 70 amp-hr battery
 Dual electric horns; cigar lighter
 Two front cab corner lights
 Three front identification lights
 Front axle warning light
 Radio and antenna
 Double face fender-mounted directional signals
 Five rear clearance and identification lamps for pickup bodies
 Front or rear marker lamps
 Transistorized ignition

ENGINE

V-304 gasoline V8
 V-345 gasoline V8

ENGINE (Continued)

V-392 gasoline V8
 Automatic choke
 Hand throttle control
 High altitude equipment
 Modulated fan
 Exhaust emission
 Heavy-duty air cleaner element
 Air cleaner with modulated air temperature control

FRAME

Left side mounted outside tire carrier, for regular pickup
 Tire carrier lock
 Two front tow hooks
 Chrome front and rear bumpers
 Rear step bumper with trailer hitch

FRAME (Continued)

White rear bumper

SUSPENSION

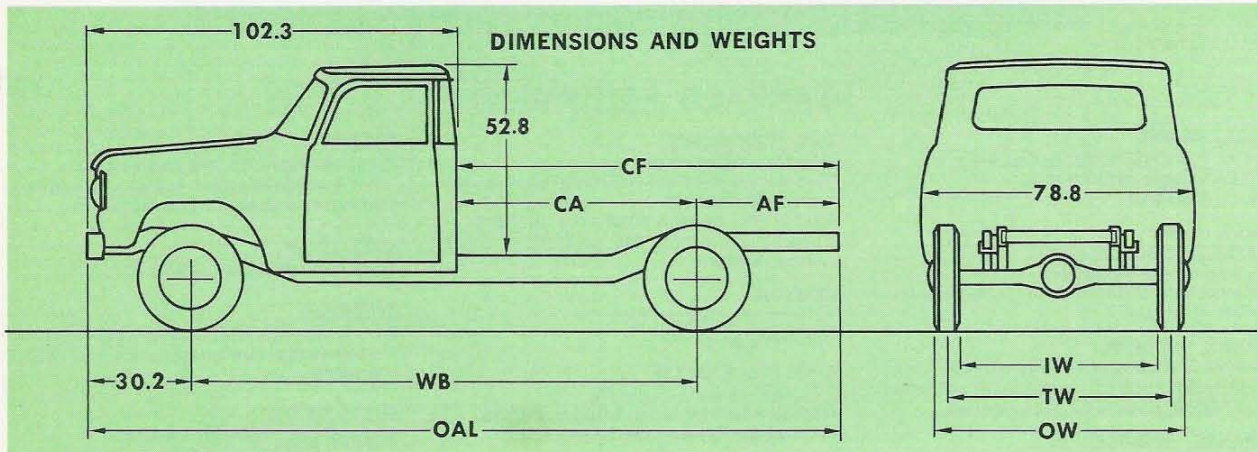
Heavy-duty front springs
 Heavy-duty rear springs
 Heavy-duty rear shock absorbers

TRANSMISSION

T-7 three-speed with floor-mounted control lever
 T-34 5-speed, overdrive
 T-36 5-speed, direct
 T-44 four-speed synchromesh
 Front-mounted winch cable and hook
 Full torque PTO for transfer case
 Transmission-mounted PTO

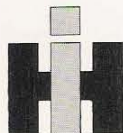
WHEELS AND TIRES

Optional tire sizes as shown below



DIMENSIONS with 8.00 x 16.5 TIRES									
Overall Width: 77.6" at front fenders			Ground Clearance: 7.1" at front axle			Frame Height at Rear Axle: empty			
Overall Height: 75.0" at top of cab			6.6" at rear axle			27.7" loaded			
CHASSIS DIMENSIONS and WEIGHTS									
CHASSIS WEIGHTS, LBS.*				DIMENSIONS				TURNING RADIUS	
WB	Front	Rear	Total	CA	CF	AF	OAL	To Centerline of Tire	With Bumper Clearance
132"	2,940	1,435	4,375	59.9"	110.2"	50.3"	212.5"		
TIRE DIMENSIONS									
		TUBELESS			TIRE AND TUBE				
Tire Size		8.00 x 16.5			8.75 x 16.5		9.50 x 16.5		7.50 x 16
Rim Size		6.00			6.75		6.75		5.50F
Single	Outside Width OW	72.7"			73.6"		74.1"		72.7"
	Tread Width TW	63.8"			63.8"		63.8"		63.8"
Rear	Inside Width IW	55.0"			54.1"		53.6"		55.0"
	Chain Clearance						NA		NA
Front Tread		65.7"			65.7"		65.7"		65.6"
Dual	Outside Width OW	85.2"			NA		NA		85.2"
	Tread Width TW	66.3"			NA		NA		66.3"
Rear	Inside Width IW	47.5"			NA		NA		47.5"
	Chain Clearance								
Front Tread		63.9"			NA		NA		63.8"

In order that product improvements may be introduced at any time, specifications are subject to change without notice.



INTERNATIONAL HARVESTER COMPANY • 401 NORTH MICHIGAN AVE. • CHICAGO, ILLINOIS 60611

CT-400-G. AD-4240-W8. 11-1.

ORDER AD SPEC. SHEETS ON AD-4130.

Litho in United States of America