



2021 RAM PROMASTER CITY®

THE BUSINESS OF MOVING CARGO AND PEOPLE



CARGO VAN



WAGON

CARGO HAULER MEETS PEOPLE CARRIER. Every day, business owners strive to lower costs, increase efficiencies and make sure they're using the best tools for the job. With commercial-grade capabilities, a robust powertrain, must-have technology and multiple Best-in-Class features, Ram ProMaster City® hits every target. Available in two models, each one offers customizable interiors perfectly suited for businesses, organizations, shuttles, families and weekend warriors. Spec out your own ProMaster City at ramtruck.ca/promastercity

TABLE OF CONTENTS

CLAIMS	3	DESIGN	10
POWERTRAIN	4	EXTERIOR COLOURS	11
CARGO-AREA CAPABILITY	5	WHEELS	11
MECHANICAL	6	INTERIOR FABRICS	11
WAGON FUNCTIONALITY	7	SPECIFICATIONS	12
UCONNECT®	8	DISCLAIMERS	12
SAFETY AND SECURITY	9		



GENERATES THE RIGHT NUMBERS



SLT Cargo Van in Bright White

CARGO VAN BEST-IN-CLASS
3,729-L (131.7-CU FT)
CARGO CAPACITY^{1*}

ACCOMMODATING
1,229 MM (48.4 IN)
BETWEEN WHEEL WELLS

CARGO VAN BEST-IN-CLASS
862-KG (1,900-LB)
MAXIMUM PAYLOAD¹

CLASS-EXCLUSIVE
9-SPEED
AUTOMATIC TRANSMISSION¹

CLASS-EXCLUSIVE
BI-LINK REAR SUSPENSION¹
OUTSTANDING COMFORT & STABILITY

CONVENIENT
60/40-SPLIT REAR DOORS
Doors open 180 degrees.
Designed to accept a standard pallet.

CARGO VAN UNSURPASSED
907-KG (2,000-LB)
MAXIMUM TOWING²

CARGO VAN BEST-IN-CLASS
8.3 L/100 KM (34 MPG)
HWY FUEL ECONOMY³
2.4L TIGERSHARK[®] MULTI^{AI}R² I-4

BEST-IN-CLASS
178 HP 174 LB-FT OF TORQUE¹
2.4L TIGERSHARK MULTI^{AI}R² I-4

RECOMMENDED
ENGINE OIL CHANGE INTERVALS
UP TO 16,000 KM (10,000 MI)

5 YEAR/100,000 KM
POWERTRAIN LIMITED WARRANTY

¹All disclaimers and warranty details on page 12.
Shown with aftermarket upfit. Properly secure all cargo.



CARGO VAN
BEST-IN-CLASS
8.3 L/100 KM (34 MPG)
HWY FUEL ECONOMY³

SLT Cargo Van in Bright White

SAVINGS AT THE PUMP BOOST YOUR BOTTOM LINE. Efficiency matters. Lean performance is great for your business. When you pilot a Ram ProMaster City,[®] count on **Best-in-Class highway fuel economy**.³ But make no mistake, the robust performance the Ram Brand is known for hasn't been sacrificed. You still get **Best-in-Class horsepower**¹ and **torque**,¹ as well as **Best-in-Class payload**.¹ That's what's known as "Ram tough."

2.4L TIGERSHARK[®] MULTIAIR[®]2 I-4

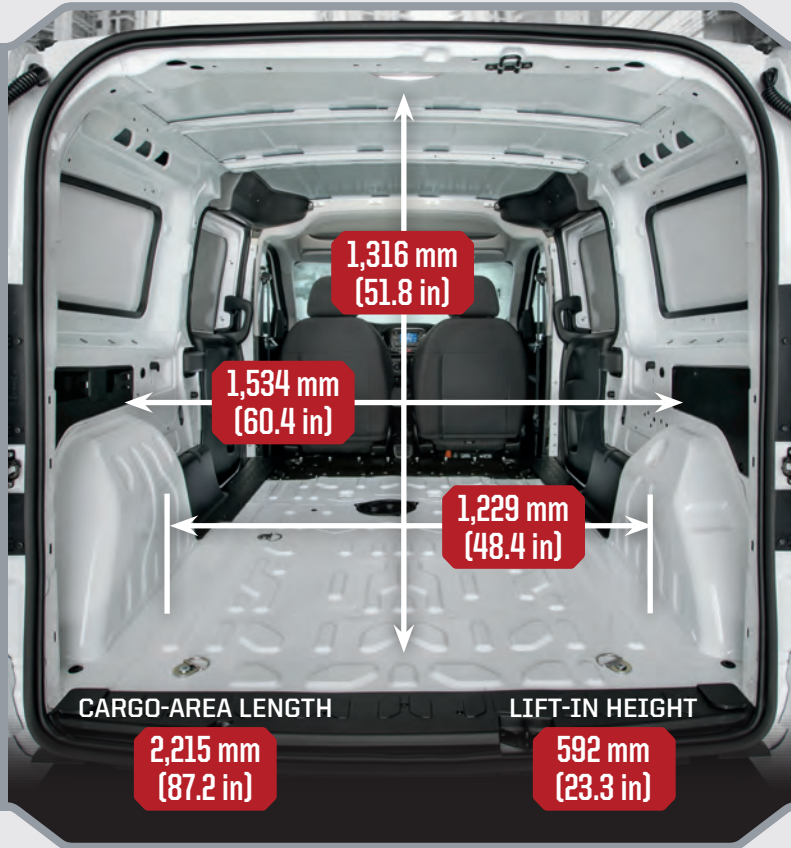
- ▶ **BEST-IN-CLASS** Horsepower: **178 HP**¹ @ 6,400 rpm
- ▶ **BEST-IN-CLASS** Torque: **174 LB-FT**¹ @ 3,800 rpm
- ▶ 3.7 seconds from a full stop to 48 km/h (30 mph)
- ▶ Smart pulse-width modulation technology on the alternator and fuel pump helps contribute to operating efficiency
- ▶ Individual-piston oil squirters help keep internal temperatures in the ideal range
- ▶ Position of the exhaust manifold helps minimize noise in the engine compartment
- ▶ Runs on 87-octane gasoline
- ▶ 5-Year/100,000-Kilometre Powertrain Limited Warranty*

*All disclaimers and warranty details on page 12.

CLASS-EXCLUSIVE 9-SPEED AUTOMATIC TRANSMISSION¹

- ▶ Equipped with Electronic Range Select (ERS), an electromechanical gear selection system that provides you with manual shift control of the transmission
- ▶ A wide 9.79 ratio spread brings outstanding launch characteristics and smooth, nearly indecipherable transfer between gears
- ▶ Shorter mid-range gears ensure quick transitions, and higher gears—7th, 8th and 9th transitions—enable lower engine speeds while cruising, contributing to Best-in-Class highway fuel economy³
- ▶ High efficiency in all gears and speeds thanks to nested carriers, dog clutches and advanced hydraulic control unit architecture

DIMENSIONS OF CONVENIENCE



60/40 REAR DOORS



OFFSET DOORS ARE DESIGNED TO BE SIMPLE AND CONVENIENT

The 60/40-split rear doors were crafted so the larger door swings open toward the road. Not only does this design help shield workers from passing vehicles, it also prevents blocking the path to the curb side of the van. Both doors open 90 degrees initially and can swing out 180 degrees by pressing the release button on the door latch. The latch automatically re-engages when the door is closed.

CONFIGURE FOR THE TASK AT HAND



OPEN TO CABIN

Standard on ST Cargo Van and SLT Cargo Van



PARTITION

Available for ST Cargo Van and SLT Cargo Van



PARTITION WITH WINDOW

Available for ST Cargo Van and SLT Cargo Van

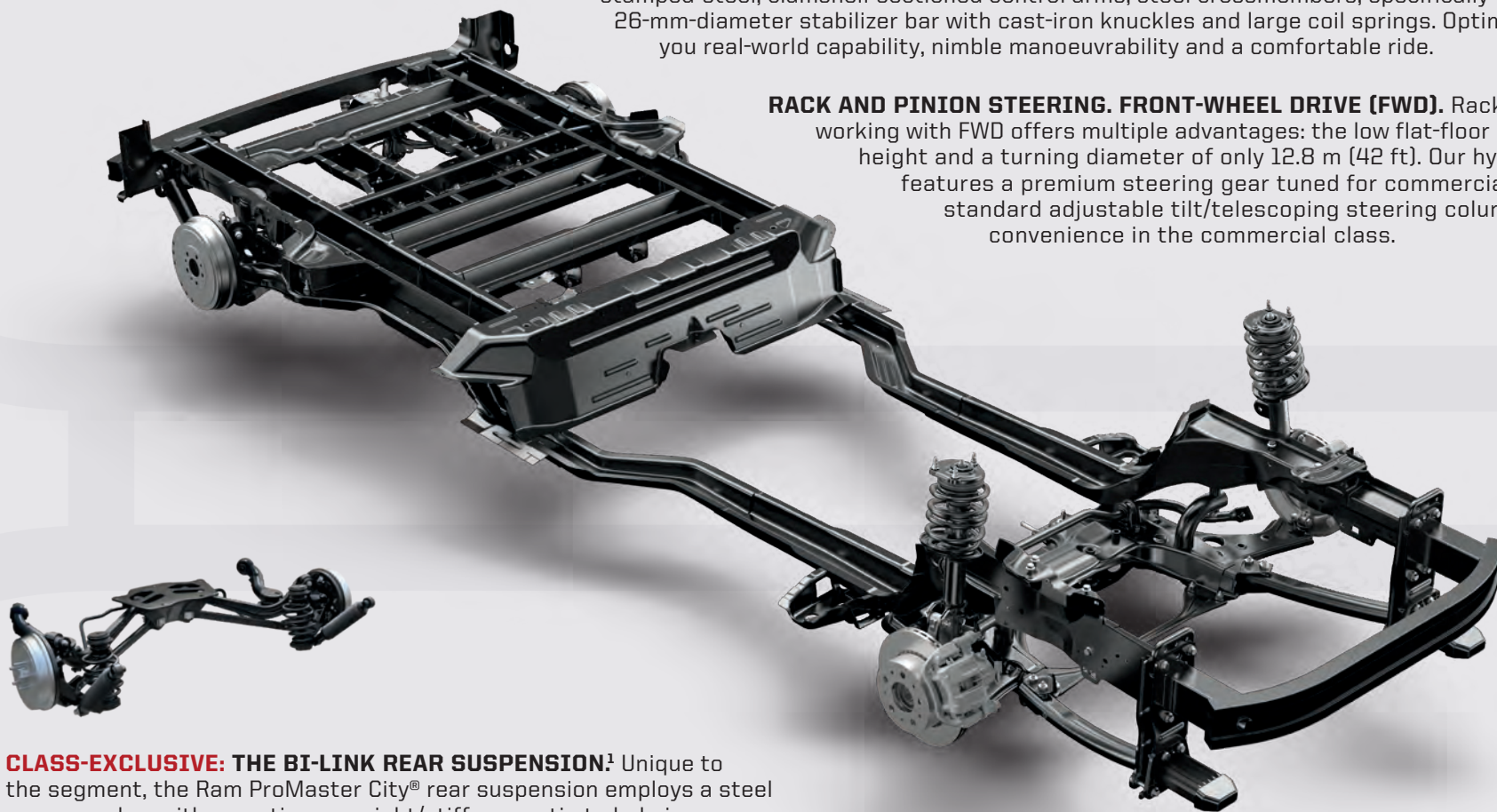


Shown with aftermarket upfit. Properly secure all cargo.

THE MECHANICS OF STRENGTH AND CAPABILITY

CARRY BIG PAYLOAD WITH BEST-IN-CLASS GROSS VEHICLE WEIGHT RATING (GVWR)¹: To support that big payload, you need a solid foundation. Our chassis is fortified by large-diameter, twin-tube hydraulic MacPherson front struts (52 mm) and unibody frame construction. We also added GVWR-tuned, high-performance stamped-steel, clamshell-sectioned control arms, steel crossmembers, specifically tuned springs, a solid 26-mm-diameter stabilizer bar with cast-iron knuckles and large coil springs. Optimized performance gives you real-world capability, nimble manoeuvrability and a comfortable ride.

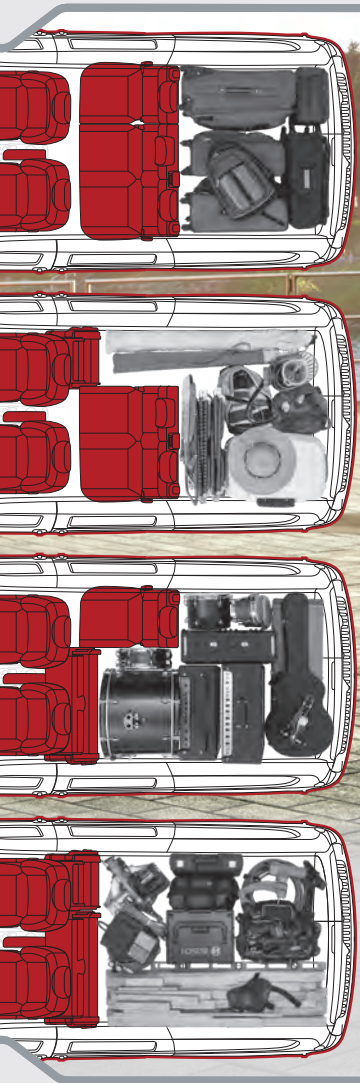
RACK AND PINION STEERING. FRONT-WHEEL DRIVE (FWD). Rack and pinion steering working with FWD offers multiple advantages: the low flat-floor cargo area, low step-in height and a turning diameter of only 12.8 m (42 ft). Our hydraulic-assist system features a premium steering gear tuned for commercial-level demands. The standard adjustable tilt/telescoping steering column is a welcome convenience in the commercial class.



CLASS-EXCLUSIVE: THE BI-LINK REAR SUSPENSION² Unique to the segment, the Ram ProMaster City[®] rear suspension employs a steel crossmember with an optimum weight/stiffness ratio to help improve reaction to lateral loads. The result is confident hauling with enhanced stability and handling. Cargo-rated steel coil springs supply high-fatigue endurance, while a 16-mm solid stabilizer bar with optimized torsional stiffness helps ensure long-lasting durability.

FRAME STRENGTH. The Ram ProMaster City foundation is a steel unibody design. This architecture helps minimize curb weight and contributes to this vehicle's Best-in-Class payload of up to 862 kg (1,900 lb)³; unsurpassed towing of up to 807 kg (2,000 lb)²; Best-in-Class GVWR of 2,447 kg (5,395 lb)¹; and an impressive Gross Combined Weight Rating (GCWR) of 2,676 kg (5,900 lb).

PEOPLE, PLACES AND THINGS



SLT Wagon in Silver Metallic

HUGE INNER SPACE. PERFECT FOR PEOPLE AND PROVISIONS. It's got everything a people-first vehicle should offer. Like sleek aerodynamic styling—with a roof design ready-made for adding on a carrier for bikes, luggage, water toys and more. A spacious and well-appointed interior—with dual side sliding doors that help make getting in and out a breeze—and thoughtfully designed variable seating that lets you adapt for uses that range from a professional shuttle to the family car. Like an intelligent 60/40-split rear door design that promotes secure and safe loading. Add towing rated up to 854 kg (1,882 lb)⁴ and you've got the just-right Wagon.

STORAGE THAT KEEPS THE CLUTTER AWAY

From the huge in-door pockets with sculpted bottle holders to specialized trays to oversized glove compartments, it's all here—even an overhead shelf, two 12-volt auxiliary power outlets, and a USB port and connections to charge on-the-go electronics.



Properly secure all cargo.



Cargo Van interior in Black

CONVENIENCE AND CONTROL AT YOUR FINGERTIPS

Uconnect® electronics and systems put you in charge, starting with steering wheel-mounted controls and a vibrant LED-illuminated cluster with Driver Information Display. To that, add standard AM/FM audio, a 2.5-amp USB port and a very handy 12-volt power outlet. Available auxiliary switches enable instant adaptation for future upfits and ancillary electronics.



The standard **Uconnect 3 with 5-inch colour display radio system** delivers easy-to-access info through Bluetooth® technology⁵ and the colour touchscreen. The **Uconnect 3 NAV⁶ with 5-inch colour display** delivers precise, Web-based GPS Navigation⁶; the available SiriusXM radio⁷ includes a one-year trial subscription. You want superb comfort, convenience and capability—and here, you have it.



Uconnect 3 AT A GLANCE

- ▶ 5-inch Colour Touchscreen
- ▶ AM/FM Stereo Audio System
- ▶ Four-speaker Sound System
- ▶ Integrated Voice Command⁵
- ▶ MP3 Capability with Auxiliary Input
- ▶ Steering Wheel-mounted Audio Controls



Uconnect 3 NAV⁶

- All features of the Uconnect 3 system, plus:
- ▶ Points-of-interest Accessibility
 - ▶ Turn-by-turn GPS Navigation⁶



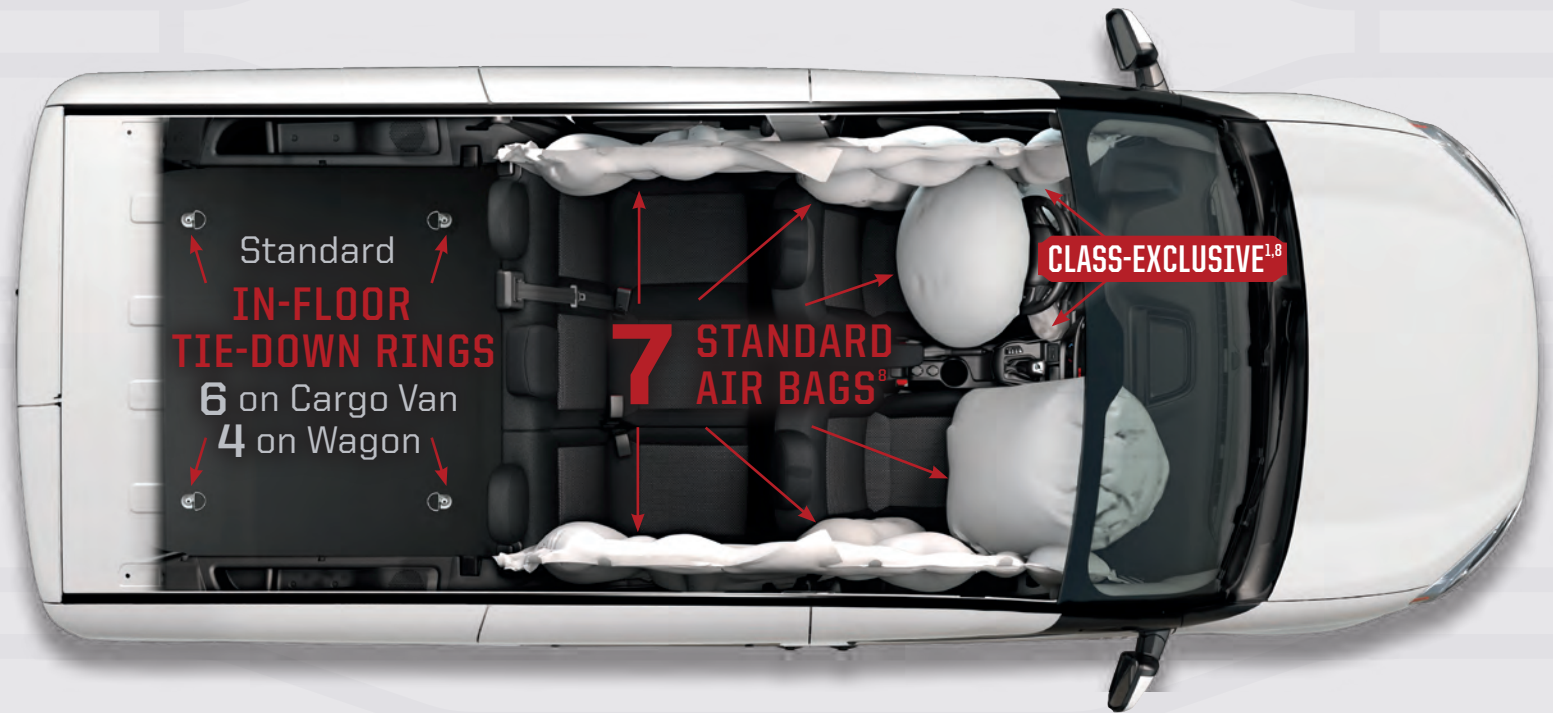
YOU'RE ALWAYS RIDING WITH SAFETY AND SECURITY

SEVEN STANDARD AIR BAGS⁸ INCLUDING CLASS-EXCLUSIVE DRIVER-SIDE KNEE AIR BAG^{1,8}

Our system includes dual-stage driver and front-passenger air bags, supplemental side air bag inflatable curtains, supplemental front-seat-mounted thorax air bags, the Class-Exclusive driver-side knee air bag^{1,8}, dual front seat belt pretensioners and seat belt load limiters.

IN-FLOOR TIE-DOWN RINGS

In-floor tie-down rings (six on Cargo Van; four on Wagon) help secure cargo. They come as standard equipment on every model.



PARKVIEW[®] REAR BACK-UP CAMERA⁹

The ParkView Rear Back-Up Camera⁹ automatically shows the rear scene in the Uconnect[®] 3 with 5-inch touchscreen display when in Reverse. The on-screen grid lines help when backing up to docks and trailers or into parking spaces.

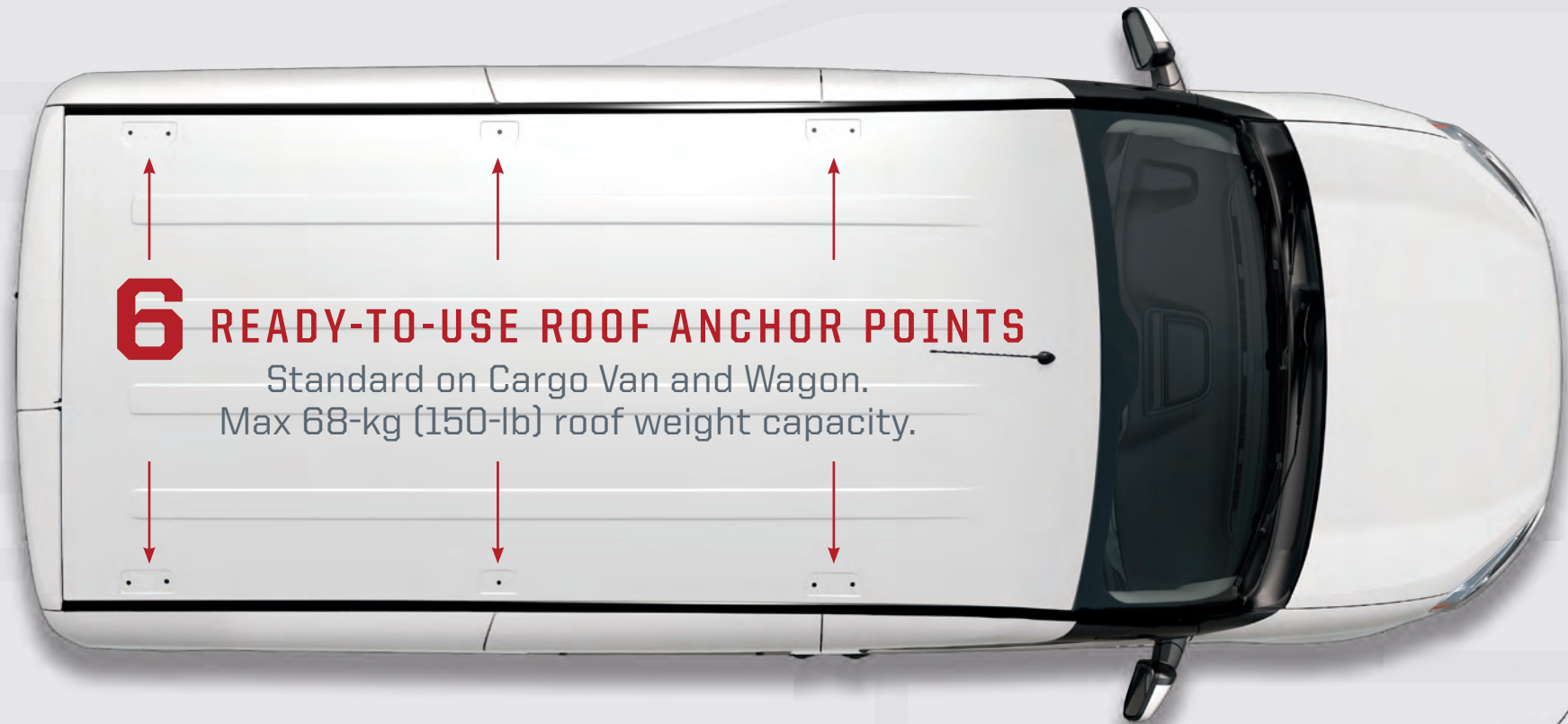
PARK-SENSE[®] REAR PARK ASSIST SYSTEM⁹

The available Park-Sense Rear Park Assist System⁹ is an indispensable asset to help keep the driver alert to his or her surroundings. Activated under 13 km/h (8 mph) when in Reverse, it projects audible warnings that increase in intensity as the vehicle nears obstructions to the rear.

ELECTRONIC STABILITY CONTROL (ESC)¹⁰

Every Ram ProMaster City[®] boasts standard ESC.¹⁰ This system integrates the Antilock Braking System (ABS) with a variety of All-Speed Traction Control technologies that enable all four corners of the vehicle to respond to lateral movement and the steering input from the driver. ESC¹⁰ helps maintain control during tight turns and when the driver must utilize evasive manoeuvres to help counter the unexpected. Calibrated to engine output, ESC¹⁰ includes four-channel ABS, Brake-Lock Differential, a full-function All-Speed Traction Control system, Brake Assist, Trailer Sway Damping, Hill Start Assist and Electronic Roll Mitigation.

INCREASE YOUR CAPABILITIES WITH SMART DESIGN



6 READY-TO-USE ROOF ANCHOR POINTS

Standard on Cargo Van and Wagon.
Max 68-kg (150-lb) roof weight capacity.

TOP-TIER CARGO MANAGEMENT

In-roof pre-drilled anchor points are already in place for numerous aftermarket accessories, including available Roof Rails from Mopar®. Moulded in colour with a Silver finish, they carry a 68-kg (150-lb) max rating and will accommodate a variety of available assets, including Roof Top Cargo Carriers, Bike Carriers, Ski Carriers and Water Sports Carriers. For a complete inventory, search mopar.ca

AERODYNAMIC EXTERIOR

Thoroughly wind tunnel-tested, Ram ProMaster City® delivers a super-low drag coefficient (CD)—it's a mere 0.30. While this helps enable a remarkably quiet interior, reducing wind resistance also acts as a major contributor to impressive efficiency.

FORWARD LIGHTING

Headlamps are high-mounted above common crash zones to help reduce damage—and costs—in the event of a collision. The system includes the “Follow Me Home” function, keeping the headlamps lit for a preset time after the engine is shut down to help illuminate your path in the dark. Available Fog Lamps provide additional lighting support during inclement weather.



EXTERIOR COLOURS



Bright White



Silver Metallic



Quartz Grey Metallic



Black Metallic



Broom Yellow



Bright Red



Deep Red Metallic



Blue Night Metallic

WHEELS



16-inch Steel Wheel Painted Silver with Centre Cap
Standard on ST Cargo Van / Wagon

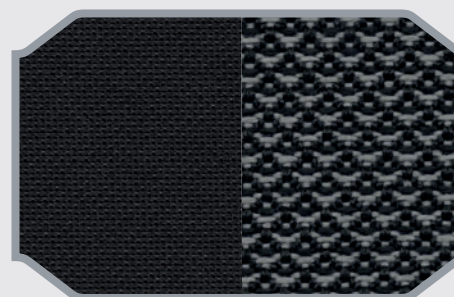


16-inch Steel Wheel with Full-Painted Silver Wheel Cover
Standard on SLT Cargo Van / Wagon
Available on ST Cargo Van / Wagon

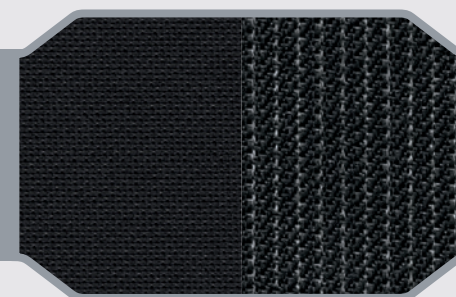


16-inch Aluminum Wheel
Available on ST and SLT Cargo Van / Wagon

INTERIOR FABRICS



Black Cloth
Standard on ST Cargo Van / Wagon



Premium Black Cloth
Standard on SLT Cargo Van / Wagon


SPECIFICATIONS

2.4L TIGERSHARK® MULTIAIR® 2 I-4	
HORSEPOWER	BEST-IN-CLASS 178 HP³ @ 6400 rpm
TORQUE	BEST-IN-CLASS 174 LB-FT³ @ 3800 rpm
CONFIGURATION	In-line four-cylinder
DISPLACEMENT	2360 cc (144 cu in)
BORE x STROKE	88.0 x 97.0 mm (3.46 x 3.82 in)
BLOCK MATERIAL	Aluminum
CYLINDER HEAD MATERIAL	Aluminum
AIR INDUCTION	Naturally aspirated
VALVE TRAIN	Chain-driven DOHC, 16-valve
FUEL DELIVERY	Sequential, multipoint injection
RECOMMENDED FUEL	Unleaded regular (87-octane)
COMPRESSION RATIO	10.0:1
ALTERNATOR	160 amps
OIL CAPACITY	5.2 L (5.5 qt)

DIMENSIONS <small>(in mm (in) unless otherwise noted)</small>	ST CARGO VAN	SLT CARGO VAN	WAGON ST	WAGON SLT
CARGO AREA – HEIGHT	1315.7 (51.8)	1315.7 (51.8)	1236.9 (48.7)	1236.9 (48.7)
– LOAD FLOOR LENGTH <small>(behind 2nd-row seats on Wagon / 2nd-row seats folded on Wagon)</small>	2214.9 (87.2)	2214.9 (87.2)	1389.4 (54.7) / 1757.7 (69.2)	1389.4 (54.7) / 1757.7 (69.2)
– VOLUME, L (cu ft) <small>(behind 2nd-row seats on Wagon / 2nd-row seats folded on Wagon)</small>	3729.3 (131.7)	3729.3 (131.7)	2098.3 (74.1) / 2879.8 (101.7)	2098.3 (74.1) / 2879.8 (101.7)
DOOR OPENING HEIGHT – REAR CARGO	1203.9 (47.4)	1203.9 (47.4)	1178.6 (46.4)	1178.6 (46.4)
– SIDE SLIDING	1107.4 (43.6)	1107.4 (43.6)	1084.6 (42.7)	1084.6 (42.7)
DOOR OPENING WIDTH – REAR CARGO	1234.4 (48.6)	1234.4 (48.6)	1234.4 (48.6)	1234.4 (48.6)
– SIDE SLIDING	655.3 (25.8)	655.3 (25.8)	538.5 (21.2)	538.5 (21.2)
HEADROOM – FIRST-ROW	1169 (46)	1169 (46)	1169 (46)	1169 (46)
– SECOND-ROW	–	–	1118 (44)	1118 (44)
HEIGHT – OVERALL	1886 (74.2)	1886 (74.2)	1886 (74.2)	1886 (74.2)
HIP ROOM – FIRST-ROW	1340 (52.8)	1340 (52.8)	1340 (52.8)	1340 (52.8)
– SECOND-ROW	–	–	1503 (59.2)	1503 (59.2)
LEGROOM – FIRST-ROW	1036 (40.8)	1036 (40.8)	1036 (40.8)	1036 (40.8)
– SECOND-ROW	–	–	935 (36.8)	935 (36.8)
LENGTH – OVERALL BODY	4752.3 (187.1)	4752.3 (187.1)	4752.3 (187.1)	4752.3 (187.1)
REAR DOOR LIFT-IN HEIGHT	592 (23.3)	592 (23.3)	604.5 (23.8)	604.5 (23.8)
SIDE DOOR STEP-IN HEIGHT	546.1 (21.5)	546.1 (21.5)	490.2 (19.3)	490.2 (19.3)
WHEELBASE	3108.9 (122.4)	3108.9 (122.4)	3108.9 (122.4)	3108.9 (122.4)
WIDTH – BETWEEN WHEEL WELLS	1229.4 (48.4)	1229.4 (48.4)	1229.4 (48.4)	1229.4 (48.4)
– MAXIMUM BETWEEN SIDE PANELS	1534.2 (60.4)	1534.2 (60.4)	1463 (57.6)	1463 (57.6)
– VEHICLE (including mirrors)	2148.8 (84.6)	2148.8 (84.6)	2148.8 (84.6)	2148.8 (84.6)

PAYLOAD / TOWING				
GVWR	2447 (5395)	2447 (5395)	2447 (5395)	2447 (5395)
GCWR	2676 (5900)	2676 (5900)	2676 (5900)	2676 (5900)
CURB WEIGHT	1587 (3498)	1587 (3498)	1670 (3682)	1670 (3682)
MAXIMUM PAYLOAD	862 (1900)	862 (1900)	785 (1730)	785 (1730)
MAXIMUM TOWING²	907 (2000)	907 (2000)	854 (1882)	854 (1882)

Notes regarding chart: weights given in kg (lb). Trailer Weight Rating and Tow Vehicle Trailing Weight are calculated as specified in SAE J2807. Driver and passenger weight = 136 kg (300 lb). Trailer Equipment Weight = 23 kg (50.7 lb) for conventional hitch. Specifications subject to change. See retailer for details.

 **LIKE US ON:**
facebook.com/ramtrucksCanada

 **CHECK US OUT ON:**
instagram.com/ramtrucksca

 **LIKE US ON:**
twitter.com/ramtrucksCanada

 **SIGN UP FOR UPDATES AT:**
ramtruck.ca/en/signup

ABOUT THIS CATALOGUE: Since the time of publication, some of the information you'll find in this catalogue may have been updated. Ask your retailer for details. Some of the equipment shown or described throughout this catalogue may be available at extra cost. Specifications, descriptions, illustrative materials and all competitive comparisons contained herein are as accurate as known at the time this publication was approved for printing. FCA Canada Inc. reserves the right to discontinue models at any time or change specifications without notice or without incurring obligation. Options may be required in combination with other options. For the price of the model with the equipment you desire, or verification of specifications contained here, see your Ram retailer.

©2020 FCA Canada Inc. All Rights Reserved. Chrysler, Dodge, Jeep, Ram, Mopar, Park-Sense, ParkView, the Ram's Head logo, Ram ProMaster City, Tigershark and Uconnect are registered trademarks of FCA US LLC. Cummins is a registered trademark of Cummins, Inc. Instagram is a registered trademark of Instagram, Inc. MultiAir is a registered trademark of C.R.F. Società Consortile per Azioni, used under licence by FCA US LLC. Bluetooth is a registered trademark of Bluetooth SIG, Inc. SiriusXM Connected Vehicles Services Inc., Sirius, XM, SiriusXM and all related marks and logos are trademarks of SiriusXM Radio Inc. Facebook and logo are registered trademarks of Facebook, Inc. The Twitter logo is a service mark of Twitter, Inc. Katerack is a registered trademark of Dejana Truck & Utility Equipment Co. All rights reserved.

WARRANTIES: 2020 Chrysler, Jeep, Dodge and Ram vehicles are backed by a 5-year or 100,000-kilometre* fully transferable Powertrain Limited Warranty with \$0 deductible plus 24-hour roadside assistance.† Basic Warranty coverage is for 3 years or 60,000 kilometres.‡ Rust-through coverage on all body sheet metal is for 3 years. The Cummins Turbo Diesel engine is protected by a separate Limited Warranty, covering the engine for 5 years or 160,000 kilometres.

*Whichever comes first. Some conditions may apply. †The 5-Year/100,000-Kilometre Powertrain Limited Warranty does not apply to vehicles sold for certain commercial uses. See your retailer for full details.

DISCLAIMERS: 1. Class based on Small Commercial Van segment (Class 1). 2. Class based on Small Commercial Van segment (Class 1). When properly equipped. 3. Based on *EnerGuide* fuel consumption ratings and latest available competitive information for Cargo Vans marketed as Class 1 Commercial Vans. Government of Canada test methods used. Your actual fuel consumption will vary based on driving habits and other factors. 8.3 L/100 km (34 imp mpg) highway with 2.4L Tigershark engine and 9-speed automatic transmission. Ask your retailer for *EnerGuide* information. 4. When properly equipped. 5. Driving while distracted can result in loss of vehicle control. Only use mobile phones and other devices, even with voice commands, when it is safe to do so. Voice commands of phone require a Bluetooth compatible phone. 6. Never program while driving. GPS mapping and available 3D navigation may not be detailed or available in all areas or reflect current road regulations. 7. Requires SiriusXM radio subscriptions governed by SIRIUSXM terms and conditions available at siriusxm.ca. 8. The Advanced Front Air Bags in this vehicle are certified to the Federal regulations for Advanced Air Bags. Children 12 years old and younger should always ride buckled up in a rear seat. Infants in rear-facing child restraints should never ride in the front seat of a vehicle with a passenger front air bag. All occupants should always wear their lap and shoulder belts properly. 9. This is a driver convenience system, not a substitute for active driver involvement. The driver must remain aware of their surroundings and be prepared to take corrective action to avoid collisions. 10. No system can repeal the laws of physics or overcome careless driving actions. Performance is limited by available traction, which snow, ice and other conditions can affect. When the warning lamp flashes, the driver needs to use less throttle and adapt speed and driving behaviour to prevailing road conditions.



RAMTRUCK.CA

©2020 FCA Canada Inc. All Rights Reserved. Ram is a registered trademark of FCA US LLC.