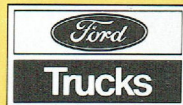


CARGO III SERIES

1621 (4x2)



AXLE FRONT

- Rockwell FG-941 wide track;
- Beam capacity 6200kg

AXLE REAR

- Rockwell R160, Rockwell Generoid Spiral Bevel; Ring Gear Pitch Diameter 457mm; Single Speed; Ratio 4.88;
- Capacity 10500kg

BRAKES

- Service:** Dual line 'H' split full air, Rockwell S-Cam brakes; High pressure air storage; Condenser valve with auto drain; Low air pressure warning light and buzzer; Brake pressure differential warning light
- Load apportioning valve Tufflo 501 air compressor; Capacity 0.34m³ min (12cfm)

- Brake Size:** Front 419x127mm; Rear 419x178mm;
- Lining Area: 4797cm²

- Park Brake:** Spring set type actuator operating through service brake mounted on rear axle

CHASSIS

- Channel section of 266x88x7mm; Section modulus 213.32cm³

CLUTCH

- Spicer double dry plate of 356mm diameter; Diaphragm spring type pressure plate; Hydraulic actuation;
- Ceramic facing

DRIVELINE

- Spicer 1710 Series

ELECTRICAL

- 24 volt negative earth system; Batteries 2 — 12 V 120 A/H capacity; Alternator — 24 V 55 amp; Relays and 24 volt fuses; Rectangular quartz halogen headlamps; Park lamps; Front direction indicators with side fender mounted repeaters; Rear combination stop-tail-turn and number plate lamps; Dual 2-speed self parking windscreen wipers with "flick" wipe; Electric windscreen washers;
- Single horn; Hazard warning lights;
- Instruments —

- Speedometer/Odometer; Tachometer; Fuel gauge; Water temperature gauge; Oil pressure gauge; Two air pressure gauges; Warning lights for — Main headlamp beam; Charge indicator; Direction indicator RH/LH; Parking brake; Low air pressure, with failure warning prove-out feature through ignition switch; RH and LH cab latch engagement

FUEL SYSTEM

- 275 litres round fuel tank mounted on RH frame rail; Water separator primary fuel filter; Twin paper element secondary fuel filter; Mechanical lift pump and fuel pump with automatic cold start system including solenoid actuated shutdown

FRONT SUSPENSION:

- Taper leaf (minimum leaf) springs; 2600kg pad capacity per spring
- Ground rating 6000kg

RATINGS: GROSS VEHICLE MASS & GROSS COMBINATION MASS (kg)

G.V.M. Plated	16000
Front Axle:	6200
Suspension:	6000
Tyres:	6000
Front Rating:	6000
Rear Axle:	10500
Suspension:	10200
Tyres:	10520
Rear Rating:	10200
G.C.M. Plated:	34000

ABOVE TABLE SHOWS MINIMUM EQUIPMENT REQUIRED FOR PLATED GVM/GCM

ENGINE SPECIFICATIONS: CATERPILLAR 3208 — 225 HP

RATINGS SAE J1349 GROSS¹ (Note 250hp Dealer Setting)

Power @ 2600 RPM	168 kW (225 HP)	187 kW (250 HP)
Torque @ 1400 RPM	793 Nm (585 lb.ft)	868 Nm (640 lb.ft)

- Features** TC/V8 10.4 litre capacity; Twin full flow spin on oil filters; Oil cooler;
- Full range governor; Forged steel cam shaft; Antifriction roller type cam followers;
- Stellite-faced valves including intake valve seat inserts; Cooling; Radiator size 0.45m² (700in²); Engine driven fan; Radiator header tank mounted rear of cab;
- Air cleaner, 356mm (14ins) Donaldson Cyclopac — with safety element mounted on LH chassis rail; Exhaust; Under frame mounted muffler with vertical, free standing pipe on RHS — Exhaust cap fitted.

- Front Shock Absorbers:** Double acting telescopic; Front anti roll bar

REAR SUSPENSION

- Semi-elliptic variable rate radius leaf springs; 4600kg pad capacity per spring; Ground rating 10200kg
- Rear Shock Absorbers:** Double acting hydraulic

STEERING

- Integral power steering; Cam HFB-64; Recirc. Ball; Ratio 20.4:1; 504mm dia. steering wheel;

TRANSMISSION

- Eaton Fuller RT6610; Ratios 8.94, 7.00, 5.46, 4.26, 3.42, 2.61, 2.05, 1.60, 1.25, 1.00:1; Reverse 9.50, 2.78:1;
- Heavy duty 8 bolt SAE pattern PTO opening at bottom

FRONT POWER TAKE OFF

- Crankshaft power take off available through radiator access aperture

WHEELS

- 20 ins diameter 6 spoke front and rear cast spider and hub assemblies

RIMS

- 8.25x22.5 one piece drop centre demountable type — 7 supplied

TYRES

- 11R 22.5 — 16 PR radial front; 6 supplied

CAB

- All steel forward control fully isolated tilt cab with 80dB(A) noise insulation; Laminated windscreen; Fully trimmed doors with kerb observation window; Headlining and back panel cloth trimmed; Moulded rubber insulated floor mats; Drivers and passengers sun visors; Two coat hooks; Bostrom suspension drivers seat contoured and adjustable for height reach, cushion and squab rake;

- Fixed dual passenger seat with fully moulded pads; Both seats fabric covered; Seat belts, lap type;
- Instrument panel modular design comprising instrument housing, centre control console and glove box — fuse panel modules; Climate control comprising foot and face level ventilation and heating, windscreen and sidescreen demist, door air extraction louvres, two speed heater fan and provision for after market air conditioning; Cigarette lighter and ash tray; Two West Coast type exterior rear vision mirrors; Tinted side and rear glass Large rear windows Front exterior service access to windscreen wiper, brake valve, heater and clutch reservoir components; Front mudflaps
- Cab Finish:** Electrocoat undercoating process with baked enamel finish; Extensive corrosion protection package
- Tools:** Wheel nut brace and handle; spring brake and spare wheel release spanners; 10 tonne hydraulic jack

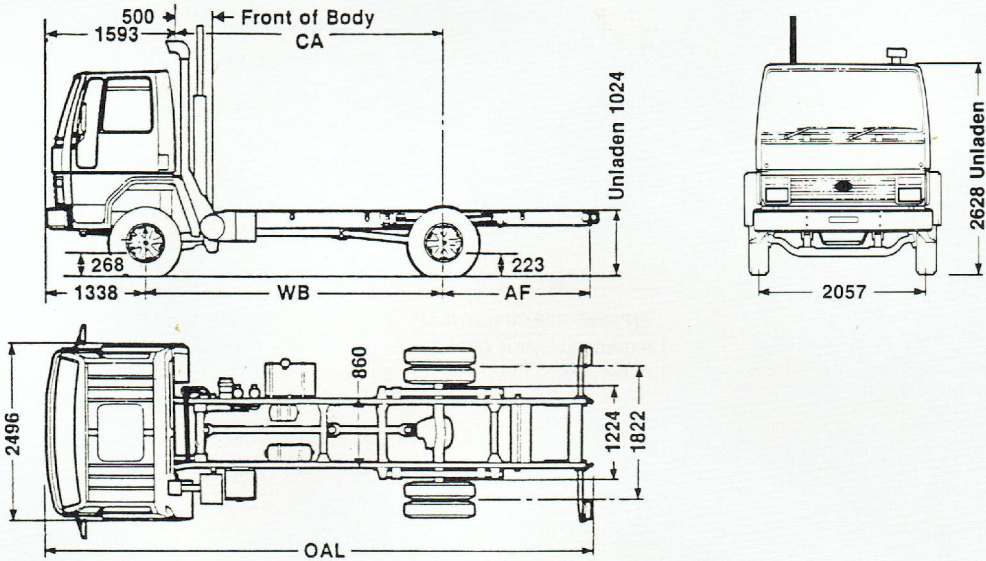
OPTIONAL EQUIPMENT

- Automatic Transmission: Allison MT653DR:** Ratios 8.045; 3.583; 2.093; 1.387; 1.00:1; Reverse 5.674:1; Converter driven SAE six bolt PTO opening on RHS. (GCM available upon application and 250 HP not allowable with this option)
- Under bumper spoiler**

¹ Net outputs will vary depending on equipment fitted and will be slightly less than the gross figures shown.

CARGO III SERIES

1621 (4x2)



DIMENSIONAL DATA

Dimensions — Minimum Equipment — mm	CA	AF	OAL	Swept Circle*
3520 WB	3265	1100	5972	14.0 m
5600 WB	5345	1870	8822	20.4 m

* Wall to Wall. Note: Frame Heights taken at Rear Axle.

MASS DATA

Kerb Mass — Minimum Equipment — kg*	Front	Rear	Total
3520 WB	3179	1681	4860
5600 WB	3268	1761	5029
Optional Equipment Add—Delete kg			
Allison MT 653 DR Automatic Transmission	—60	—15	—75

* Kerb Mass includes all fluids, full fuel, less driver and passenger. Kerb masses are calculated and subject to variation.

About this specification sheet. This sheet is designed to provide you with selected specification data for the Ford Products which have been described in a general way in the relevant brochure. Because of changes in conditions and circumstances Ford* reserves the right, subject to all applicable laws, at any time, at their discretion, and without notice to discontinue or change the features, designs, materials, colours and other specifications and the prices of their products, and to either permanently or temporarily withdraw any such products from the market without incurring any liability to any prospective purchaser or purchaser.

Because of variations which occur in manufactured products, all capacities, measurements, dimensions and weights quoted in the relevant brochure and this specification sheet should be taken as approximate only. Always consult an Authorised Ford Dealer for the latest information with respect to features, specifications, prices, optional equipment and availability before deciding to place an order. From time to time deliveries can be delayed by causes beyond the reasonable control of Ford or their Authorised Ford Dealers. When an order has been placed, please keep in touch with your Authorised Ford Dealer.



*FORD MOTOR COMPANY OF AUSTRALIA LIMITED
(Incorporated in Victoria)
Registered Office:
1735 SYDNEY ROAD, CAMPBELLFIELD, VICTORIA, 3061