

# Specification

MODEL / TYPE		1.3 E M/T	1.3 G M/T	1.5 S M/T	1.5 S A/T	
<b>DIMENSI / DIMENSION</b>						
Panjang / Overall Length	mm	4.120				
Lebar / Overall Width	mm	1.630	1.635	1.630		
Tinggi / Overall Height	mm	1.695				
Jarak Sumbu / Wheelbase	mm	2.655				
Jarak Pijak / Thread	Depan / Front	mm	1.405	1.415		
	Belakang / Rear	mm	1.415	1.425		
Berat Kosong / Curb Weight	kg	1.045	1.070	1.085		
<b>SASIS / CHASSIS</b>						
Transmisi / Transmission		Manual 5 Kecepatan / 5 Speed Manual			Otomatis 4 Kecepatan / 4 Speed Automatic	
Perbandingan Gigi / Gear Ratio	1st	3.769			2.731	
	2nd	2.045			1.526	
	3rd	1.376			1.000	
	4th	1.000			0.696	
	5th	0.838			-	
	Reverse	4.128			2.290	
Perbandingan Gigi Akhir / Final Gear Ratio		5.125			4.875	5.125
Suspensi / Suspension	Depan / Front	MacPherson Strut dengan Pegas Koil & Stabilizer / MacPherson Strut with Coil Spring & Stabilizer				
	Belakang / Rear	4 Link dengan Pegas Koil dan Lateral Rod / 4 Link with Coil Spring & Lateral Rod				
Rem / Brake System	Depan / Front	Cakram / Disc				
	Belakang / Rear	Tromol / Drum				
	Sistem Tambahan / Additional System	Proportion Valve (PV)		Anti-Lock Braking System (ABS)		
Ukuran Ban / Tire Size		Steel Wheel, 185/70 R14	Alloy Wheel, 185/70 R14	Alloy Wheel, 185/65 R15		
<b>MESIN / ENGINE</b>		<b>K3-VE</b>			<b>3SZ-VE</b>	
Tipe Mesin / Engine Type		4 Silinder Segaris, 16 Katup, DOHC, VVT-i / I4, 16 Valves, DOHC, VVT-i				
Isi Silinder / Displacement		cc	1.298	1.495		
Diameter X Langkah / Bore X Stroke		mm x mm	72.0 x 79.7	72.0 x 91.8		
Daya Maksimum / Maximum Power		PS/rpm	92 / 6.000	109 / 6.000		
Torsi Maksimum / Maximum Torque		kgm/rpm	12.2 / 4.400	14.4 / 4.400		
Bahan Bakar / Fuel	Jenis / Type	Bensin Tanpa Timbal / Unleaded Gasoline				
	Sistem / System	Sistem Bahan Bakar Elektronik / Electronic Fuel Injection (EFI)				
	Kapasitas Tangki / Tank Capacity	45				

\* Untuk peningkatan mutu dan penyesuaian dengan perkembangan teknologi, PT. Toyota-Astra Motor sewaktu-waktu dapat mengubah spesifikasi, perlengkapan standar atau data lain dalam lembar spesifikasi ini / PT. Toyota Astra Motor reserves the right to alter any details of specification and equipment without prior notice.

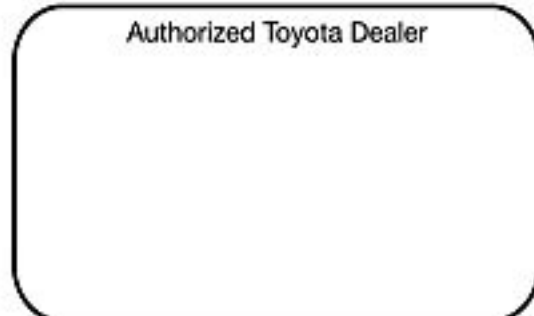
\* Pilihan warna dalam brosur dapat sedikit berbeda dengan warna mobil sesungguhnya / Color option in the brochure might differ slightly from the actual vehicle color.



Toyota didukung oleh sales outlet dan layanan purna jual (service & spare parts) yang tersebar di seluruh Indonesia dan selalu siap melayani Anda. Untuk mengetahui dealer Toyota terdekat di kota Anda, hubungi Toyota Customer Care atau Akses Website dan M-Toyota



Untuk tipe S hanya tersedia warna Silver Metallic, Black Mica, Aqua Metallic dan Dark Grey.

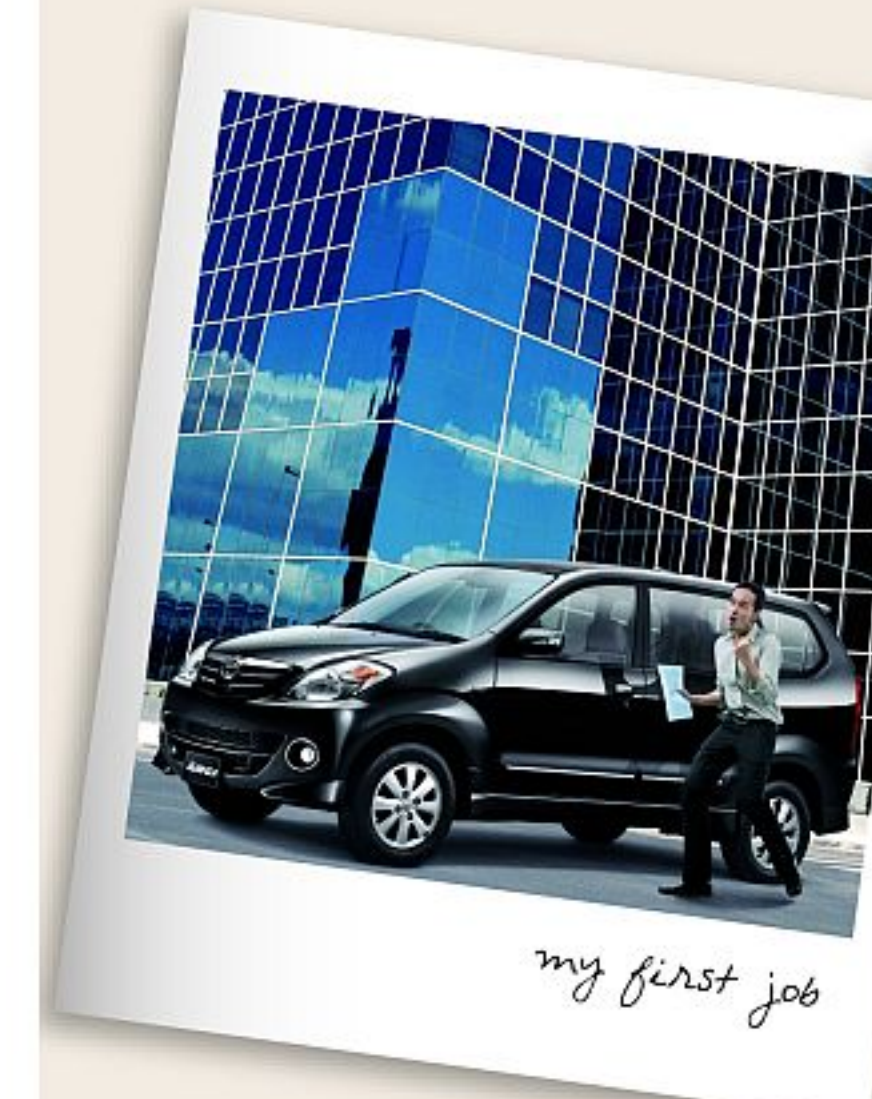


**TOYOTA**  
moving forward



my first car

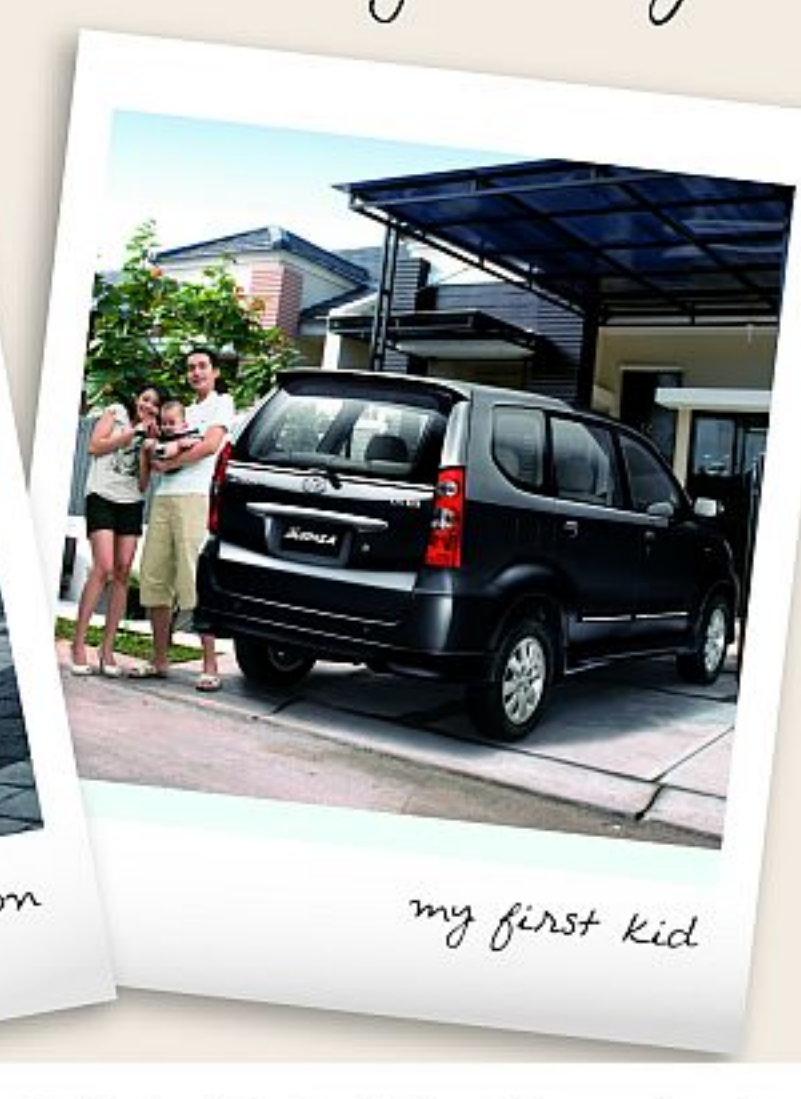
First Love Leads to Everything...



my first job



my first promotion



my first kid

**NEW AVANZA**  
CUMA AVANZA YANG BISA

TOYOTA Customer Care  
0807-1-898 898

M-TOYOTA  
+898#

www.toyota.astra.co.id



**3 YEARS** 100.000 KM  
WARRANTY

**GRATIS** BIAYA JASA  
SERVIS BERKALA 74  
**50.000 km**

PT. TOYOTA-ASTRA MOTOR  
Jl. Laksda Yos Sudarso Sunter II - Jakarta 14330

## First Impression Is Unforgettable...



### Type 1.3 E

Dengan fitur optimal:  
Optimally equipped:

- 1.3 L VVT-i engine • New 4 Spoke Steering Wheel • New Interior Color & New Seat Material • New Combination Meter Design • New Rear Console Box • Multireflector Headlamp • Rear Wiper • Mud Guard • 185/70 R14 Tire Size
- Single Air Conditioner • Power Door Lock • Power Windows • Headrests in every row • Flexible Seat Configuration • Safety Belts in Every Seat • Ticket Holder

### Type 1.3 G

Dengan segala kelengkapan model 1.3 E dan tambahan fitur yang lebih lengkap:  
Type 1.3 G with more optimally and complete features :

- 1.3 L VVT-i engine • New Fog Lamp Garnish • New Luxury Back Door Chrome Garnish • New Front Bumper Mesh Grille • Electric Outer Mirrors • Rear Spoiler with High Mount Stop Lamp • Side Protection Molding • 185/70 R14 Tire Size with Alloy Wheels • 1 DIN Cassette Player with 4 Speakers • AC Double Blower
- Digital Clock • Vanity Mirror



Type 1.5 S A/T

New 4 spoke steering wheel

### Type 1.5 S

Type yang memiliki mesin 1.5 L VVT-i dengan fitur paling lengkap:  
It has a 1.5 VVT-i type engine with the most complete features:

- 1.5 L VVT-i engine • New Outer Mirror with Turning Signal design • New Luxury Fog Lamp Garnish • New Luxury Side Protection Molding • New Gate Type Shift Lever (1.5 S A/T) • New Silver Paint Instrument Panel • Anti Lock Braking System • Rear Parking Sensor • Rear Window Defogger • Chrome Door Handle and Rear License Ornament • 185/65 R15 Tyre Size with Alloy Wheels
- 2 DIN CD & Cassette Player with 4 Speakers and 2 Tweeters • Digital Trip Meter & Shift Indicator (1.5 S A/T)



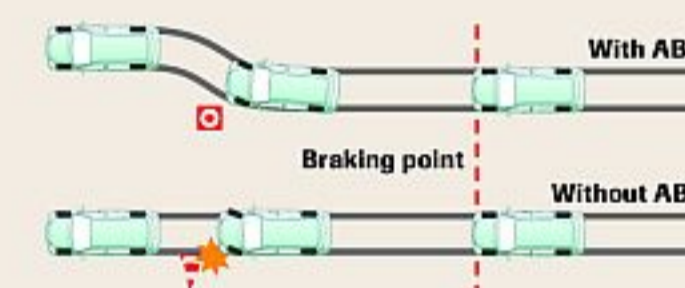
## Safety First...



### GOA (GLOBAL OUTSTANDING ASSESSMENT) BODY

Struktur GOA Body efektif melindungi penumpang dari cedera saat terjadi kecelakaan.

GOA Body structure effectively protects passengers from injury in the event of a collision.



### ABS (Anti-lock Braking System)

ABS (1.5 S) mencegah roda terkunci untuk memudahkan pengendalian pada saat pengereman mendadak.

ABS (1.5 S) prevents the wheels from locking for easier handling in case of sudden braking.



### REAR PARKING SENSOR

Sensor ultrasonik untuk menjaga jarak aman saat parkir (1.5 S).

Ultrasonic sensor for safe range detection when parking (1.5 S).

## First Desire for Power...

Performa optimal, konsumsi bahan bakar lebih efisien dan gas buang ramah lingkungan dengan mesin 1.3 L dan 1.5 L **New Avanza** mengadopsi teknologi VVT-i (Variable Valve Timing-intelligent) yang sesuai standar Euro 2.

Optimum performance, efficient fuel consumption and low emission with **New Avanza 1.3 L and 1.5 L engine** which adopts VVT-i (Variable Valve Timing-intelligent) technology that complies Euro 2 standard.



### GATE TYPE SHIFT LEVER

Sistem transmisi otomatis dilengkapi gate shift lever dengan penampilan yang lebih sporty untuk mencegah kesalahan pengoperasian transmisi dan memberi kemudahan berkendara (1.5 S A/T).

The automatic transmission system is now equipped with gate shift lever and shift lock with more sporty look to prevent error in transmission operation. (1.5 S A/T).



MINIMUM TURNING RADIUS  
4.7m

### MINIMUM TURNING RADIUS

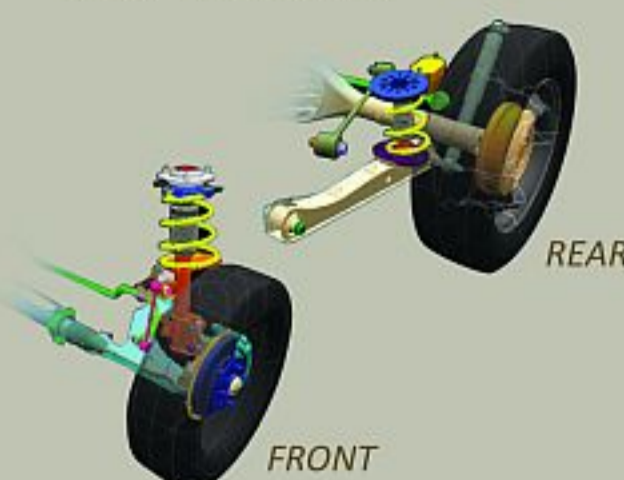
Radius putaran yang hanya 4.7 meter memberi Anda keleluasaan baik dalam bermanuver maupun memarkirkan kendaraan.

The 4.7 meter turning radius provides you high maneuverability for parking and city driving.

### SUSPENSION SYSTEM

Kombinasi suspensi MacPherson Strut dengan Coil Spring plus Stabilizer pada suspensi depan serta 4 Link dengan coil spring plus Lateral Rod pada suspensi belakang berperan meminimalkan hentakan, menjamin kestabilan dan kenyamanan Anda berkendara.

The newly-improved suspension system – a combination of MacPherson Strut with Coil Spring and Stabilizer for front suspension and 4 link rear suspensions with coil spring and Lateral Rod to reduce any bumpy feeling. Provides better driving stability unlike any you have ever experienced.



## First Experience of Comfort...

New Interior Color & New Seat Pattern with better quality



Type 1.5 S M/T

Hadir dengan sentuhan warna baru dan bahan yang lebih berkualitas pada bagian interior, ruang kabin Avanza yang mampu memuat hingga 7 orang penumpang kini terasa semakin luas dan mewah. Perjalanan anda pun kini menjadi semakin nyaman.

Everything you need for a comfortable journey is here. The 7 passenger cabin now looks even more spacious and luxurious with new high quality fabrics and new interior color.

## First Touch of Convenience...



### 2 DIN AUDIO SYSTEM

Panel instrumen dilengkapi sistem audio 2 Din CD & cassette player 4 speaker & 2 tweeter (1.5 S) atau 1 Din cassette player 4 speaker (1.3 G).

The instrument panel with 2 Din CD & cassette player 4 speakers & 2 tweeters (1.5 S) or 1 Din cassette player 4 speakers (1.3 G).



### COMBINATION METER

Kombinasi digital tripmeter dan shift indicator (1.5 S A/T) serta desain baru meter kombinasi memudahkan pemantauan pada saat mengemudi.

Provides easy to read- new design combination of digital tripmeter and shift indicator (1.5 S A/T).



### DOUBLE BLOWER AC

Dilengkapi sistem pendingin udara yang fungsional dan ergonomis untuk menjamin kenyamanan optimal (1.3 G & 1.5 S).

Functional and ergonomically designed air conditioning system ensures ultimate passenger comfort (1.3 G & 1.5 S).



### ELECTRIC OUTER MIRROR

Kaca spion luar (1.5 S & 1.3 G) dapat diatur secara elektrik.

The outer mirror (1.5 S & 1.3 G) can be electronically adjusted.

