



UAZ PATRIOT





OUR VALUES ARE CLEAR AND SIMPLE

Mean what you say, don't leave anybody behind - these are clear and simple principles, which a real man holds to throughout his life. In the same way we never abandon our principles.

A robust frame, part-time all-wheel drive and low range transfer case are the time-tested solutions for the uncompromising four-wheel-drive vehicle. We just go on manufacturing genuine off-road vehicles.

SPECIFICATIONS

ENGINE

Advantages of the ZMZ PRO gasoline engine compared with the previous model:

Power and torque have increased from 135 hp to 150 hp and from 217 Nm to 235 Nm

Torque peak has shifted towards lower speed range - from 3900 rpm to 2650 rpm.

Improved engine cooling system

ZMZ PRO ENGINE



Type	In-line
Fuel	A1-92 gasoline
Injection system	Injector
Displacement	2693 cm ³
Power	149,6 hp
Number of cylinders	4
Number of valves	16
Consumption (MT/AT)	11,5/9,5 l per 100 km

DIESEL ENGINE



Type	In-line
Fuel	Diesel
Injection system	Common rail
Displacement	2235 cm ³
Power	113.5 hp
Number of cylinders	4
Number of valves	16
Consumption (MT/AT)	11,5/9,5 l per 100 km
Emission class	EURO 4



PUNCH POWERGLIDE 6L50 6-SPEED AUTOMATIC TRANSMISSION GEARBOX

UAZ Patriot SUV is equipped with PUNCH Powerglide 6L50 automatic transmission. The system represents the Powerglide family of products originally designed by General Motors. Now the gearboxes for Ulyanovsk SUVs, are manufactured by PUNCH Powerglide's Strasbourg factory in the northeast of France.

Powerglide 6L50 is a traditional six-speed automatic transmission with a torque converter clutch and a huge safety factor – maximum power and torque stand at 320 hp and 500 Nm respectively. The gearbox is paired with the updated ZMZ Pro engine with 149.6 horsepower and 235 Newton*meter of torque.

Powerglide 6L50 transmission is characterized by higher fuel economy. When cruising along the highway at a constant speed of 90 km/h, UAZ Patriot, equipped with AT, consumes 2 litres less fuel than the one with a manual gearbox.



Powerglide 6L50 by PUNCH Powerglide Strasbourg



Manual shift mode implies more accurate control of AT and operation at full engine power and imitates the operation of a manual gearbox with forced consecutive upshifts and downshifts when the lever is moved to the +/- positions.



DYMOS 5-SPEED MANUAL GEARBOX

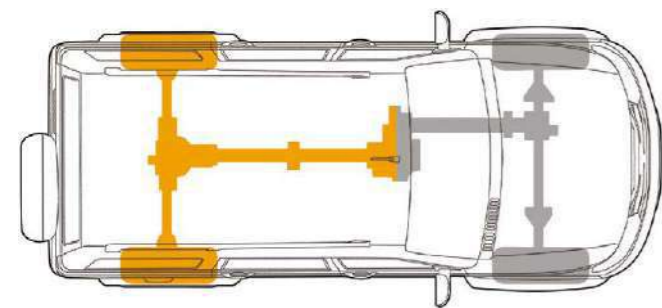
The five-speed manual gearbox has also been upgraded. A team of UAZ engineers has improved the selectivity of the drive and reduced shift travels and lever pressing. The lever itself is now composite and features a damper that improves vibroacoustic comfort. Lower noise levels and reduced background vibration are another benefit of the installation of a new clutch by LUK, with the driven disk augmented with an idle damper. Clutch pedal force is now 20% lower due to the new clutch spring.



TECHNICAL ADVANTAGES

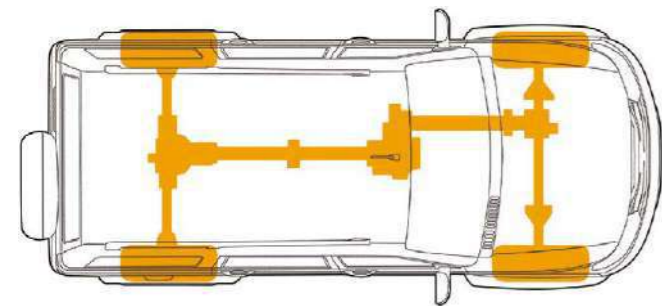
OFF-ROAD CAPABILITY

UAZ Patriot has maintained all the advantages of a first-class four-wheel-drive off-roader able to reach the most rugged areas of countryside: extraordinary geometric off-road capability, robust frame design, high road clearance and a part-time all-wheel drive system with low gear range. These advantages are supplemented with electronically controlled rear axle differential lock.



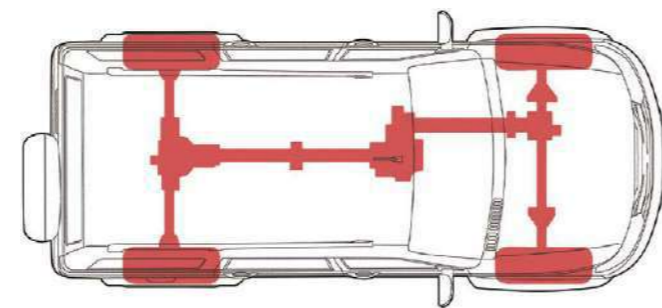
2H Rear-wheel drive

Engine torque is transmitted only to the rear wheels which saves fuel when driving on roads



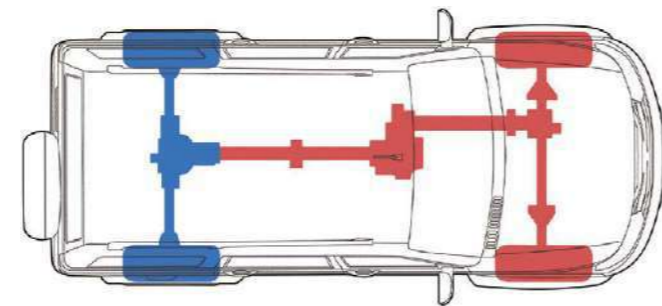
4H Four-wheel drive

Part-time all-wheel drive brilliantly manages driving under complicated road and weather conditions



4L All-wheel drive and low gear range

2.542 transfer case low gear ratio is ideally suited for driving on the worst rugged terrains



4L+ Rear axle differential lock

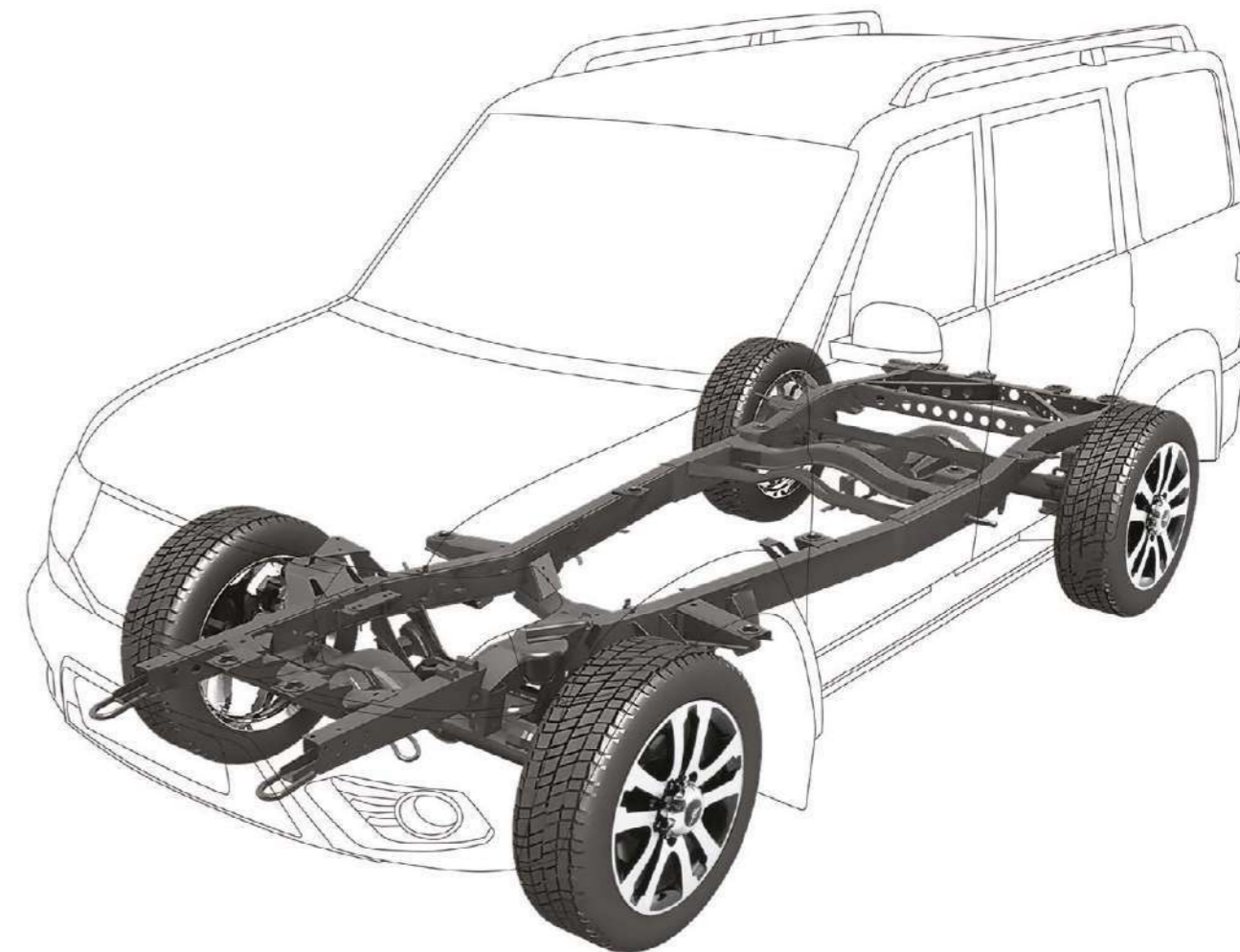
The Eaton rear axle differential lock is designed to maximize off-road performance and is activated with a button in the interior

FRAME FEATURES

A powerful longitudinal frame protects the body from impacts, as well as from torsional and tensile loads that occur during off-road driving, heavy trailer towing or pulling out a stuck vehicle. This design extends the vehicle life, even under the most severe operating conditions.

ADVANTAGES:

- 1 Impact protection
- 2 Torsion protection
- 3 Tensile protection
- 4 Balanced load distribution
- 5 Vehicle life extension



SAFETY

Now UAZ Patriot has state-of-the-art equipment that takes its safety to the next level. UAZ Patriot guarantees reliable protection of your family with front airbags, seat belts with pretensioners and an Isofix system for child seats.



Driver and front passenger airbags



ISOFIX system for child seats



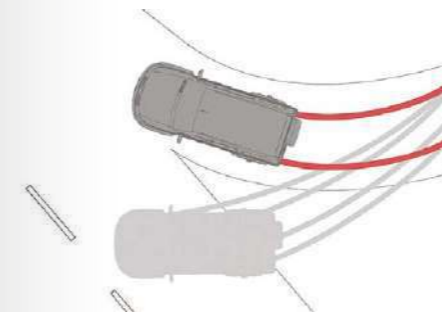
Seat belts with pretensioners, force limiters and height adjusters



Hand grips for comfortable seating

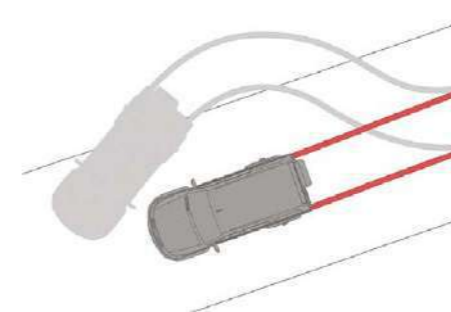
ACTIVE SAFETY SYSTEMS OF THE NEW UAZ PATRIOT

UAZ Patriot is equipped with the ESP system (in combination with ABS and EBD functions). The ESP system has been installed in UAZ Patriot in cooperation with BOSCH (Germany). The new UAZ Patriot ESP system includes a complete range of active safety features.



ESP

improves vehicle stability in situations of increased risk of skidding, side-slipping or rollover. ESP can be deactivated at the push of a button



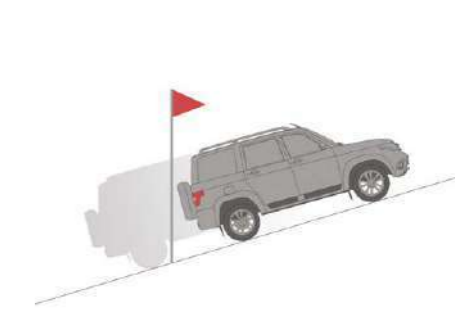
ABS

prevents wheel locking during braking to maintain stability and handling of the vehicle, and in most cases reduces the braking distance



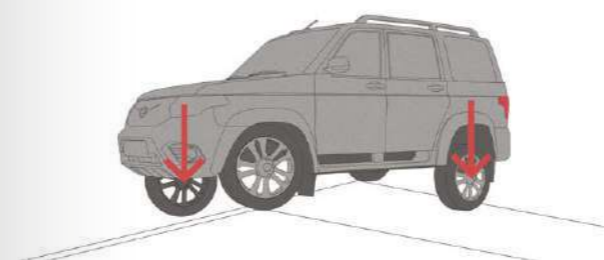
Off-Road mode

is switched on with a special button on the central console to improve braking efficiency on loose surfaces



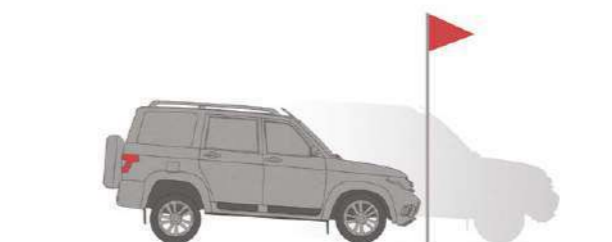
Hill Hold Control (HHC)

keeps the vehicle at standstill for a few seconds so that the driver has time to move his foot to the accelerator pedal and the vehicle does not roll back



Traction Control System (TCS)

serves as electronic inter-wheel differential lock and optimizes traction on drive wheels



Hydraulic Brake Assist (HBA)

is activated during emergency braking to ensure a swift stop upon quick but insufficient pressure on the brake pedal

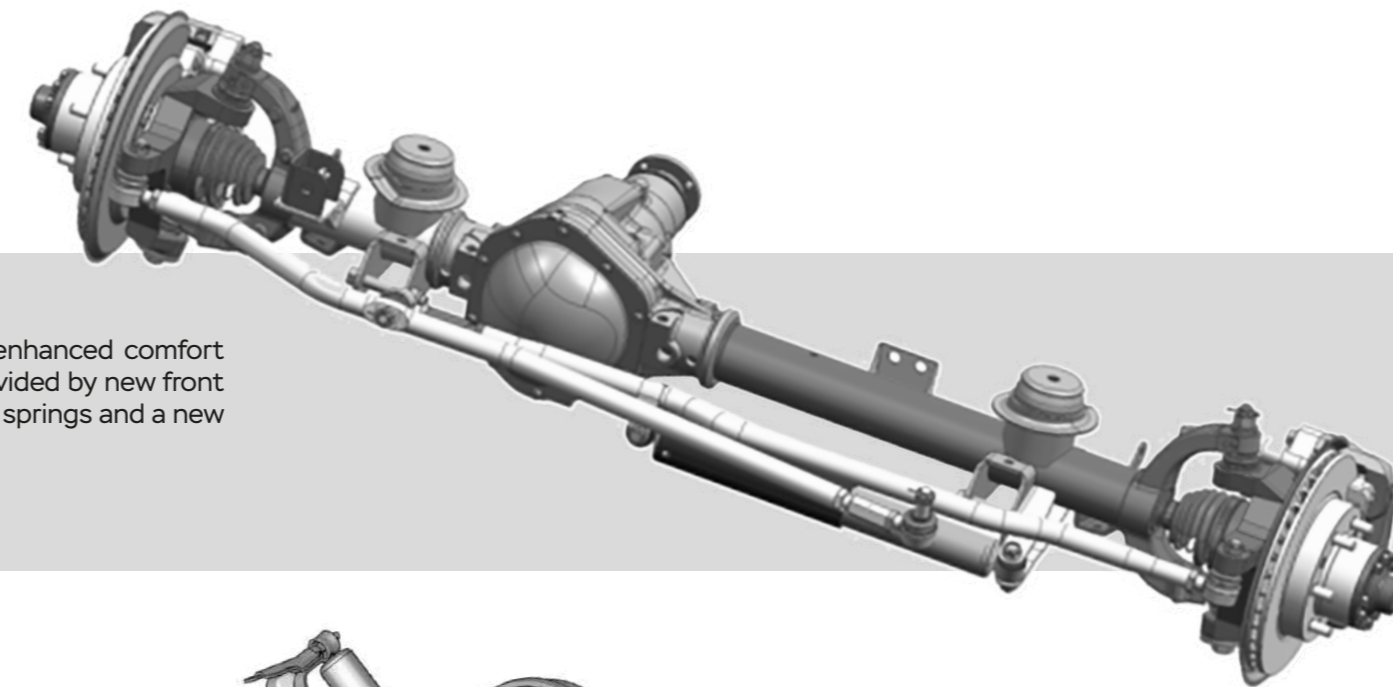


Cornering Brake Control (CBC)

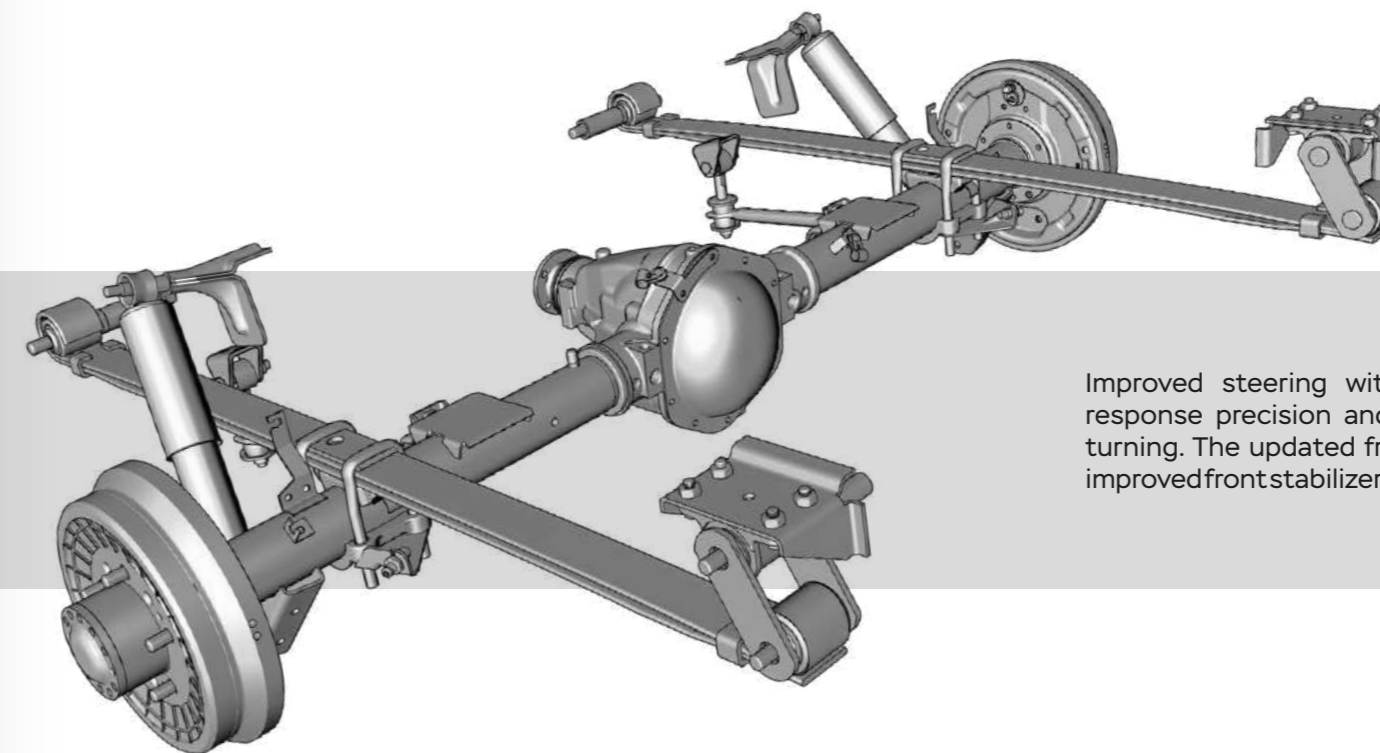
distributes braking forces across the wheels when braking on turns

SUSPENSION

It is important to be able to take a blow, no matter what obstacles you encounter in your life. UAZ Patriot - with its modified suspension - overcomes any obstacles with ease and unrivaled comfort. Now there's no need to look for a way around problems - just move forward.



The improved smoothness of ride and enhanced comfort of passengers in the second row are provided by new front and rear absorbers, softer non-multi-leaf springs and a new rear suspension stabilizer.



Improved steering with a damper ensures enhanced response precision and minimum wheel plays at wheel turning. The updated front suspension now features the improved front stabilizer and higher performance absorbers.



**IMPROVED
ERGONOMICS
AND COMFORT**





INTERIOR COMFORT

Everyone will appreciate the new UAZ Patriot interior with its leather-wrapped steering wheel as the key element. The steering wheel now features the main controls to improve driving comfort and safety. The vehicle is also equipped with new under-steering wheel switches of expanded functionality and modern design.



Left-hand under-steering switch with turn signal track mode and on-board computer control



Cooled glove box with USB port



Multifunctional steering wheel with cruise control, speed limiter, multimedia system and loudspeaker system controls



Right-hand under-steering switch with wiper delay control



Second row seats armrest with two spacious cup holders



UAZ Patriot is equipped with a modern multimedia system with a 7" color touch screen, built-in navigation and maps. With the precise navigation system of UAZ Patriot you will always stay on the correct route and reach the very best beauty spots. And while traveling, the multimedia system will allow you to get into the right mood by enjoying your music via USB, SD or Bluetooth.



Power windows and exterior mirrors controls on the driver's door



Light control unit with improved algorithm



Systems control unit on the central console

DRIVING CONFIDENCE

UAZ Patriot has become a more comfortable ride thanks to the readjusted suspension and improved steering with damper. And a new front axle with a modified angle of knuckle pins and open steering knuckles has significantly reduced the turning circle.



To ensure safe parking, the new UAZ Patriot is equipped with front and rear parking sensors. The rear-view camera guiding lines have become dynamic. The new UAZ Patriot state-of-the-art system ensures easy parking in tight spaces.



When reversing, a color display shows the view from the rear camera with dynamic guiding lines, and front and rear parking sensor signals



Driver seat with height and lumbar support adjustment



Wear-resistant fog lights and front parking sensors that can be disabled



Rear parking sensors on the bumper and rear-view camera in the tailgate handle



The new UAZ Patriot steering wheel can be adjusted both by tilt angle and height

SPACIOUS LUGGAGE COMPARTMENT



Really spacious luggage compartment
(volume to roof 1130 l)



Folding rear seats
(60:40 ratio)



Luggage compartment shutter
(volume to shutter 650 l)

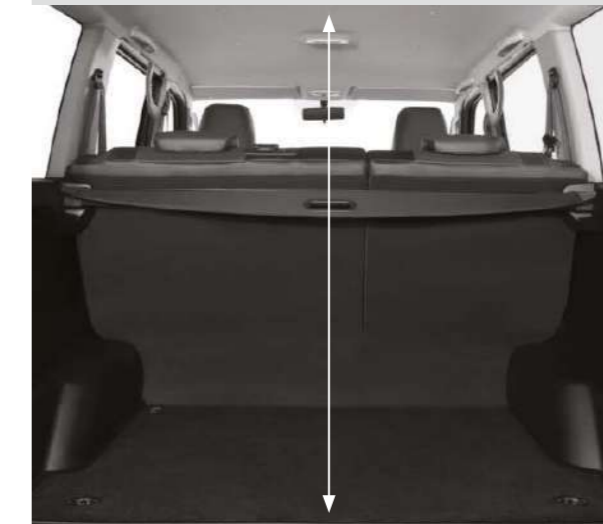


With rear seats fully folded
(volume 2415 l)

A LOT OF SPACE



To the shutter



To the roof



With rear seats folded

WE HAVE MOMENTS TO REMEMBER

WE KNOW OUR ADVANTAGES

It is always great to get out on the road. It may not have been planned, but sometimes the craving for exploration and adventure takes hold of us. Thermos bottle with hot tea, jacket, boots and in two minutes you are ready for adventures. Can I pass here or not? Leave all your doubts aside. The very first step is all you need.



EXPEDITION PACKAGE FOR TRAVELLING

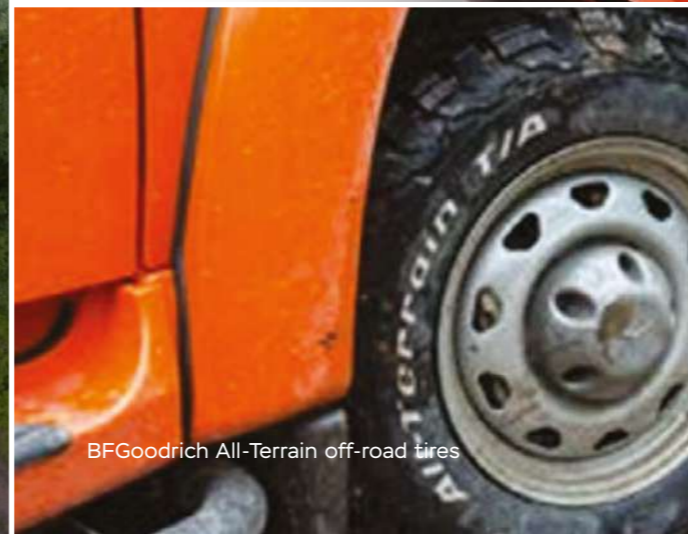
The expedition equipment package includes an expedition roof rack, a rear door ladder, towing coupling, sill protection, a rear-axle differential lock, an additional cabin heater, an off-Road package (winch, protection for winch and steering rods), a multimedia system, BFGoodrich All-Terrain tires. Now any Patriot can be equipped with this package.



Expedition roof rack and ladder to the roof



Sill protection



BFGoodrich All-Terrain off-road tires

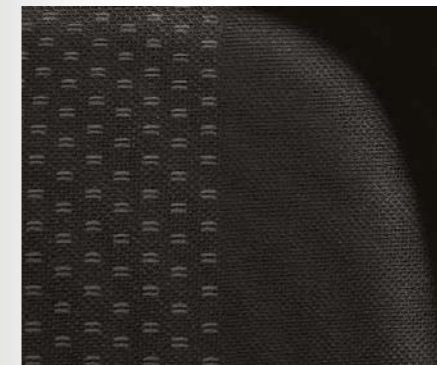


COLORS



*For cars with AT only. **Only in combination with expedition equipment package.

TYPES OF UPHOLSTERY AND WHEEL RIMS



Dark fabric



Dark leather



Brown leather



Combined leather



16-inch steel rims



16-inch alloy rims



Football 16-inch alloy rims



Sahara 18-inch alloy rims



Kalahari 18-inch alloy rims

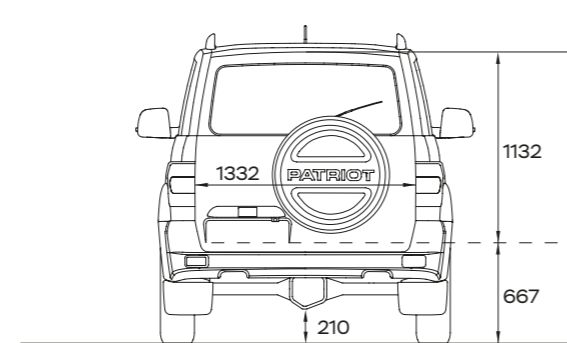
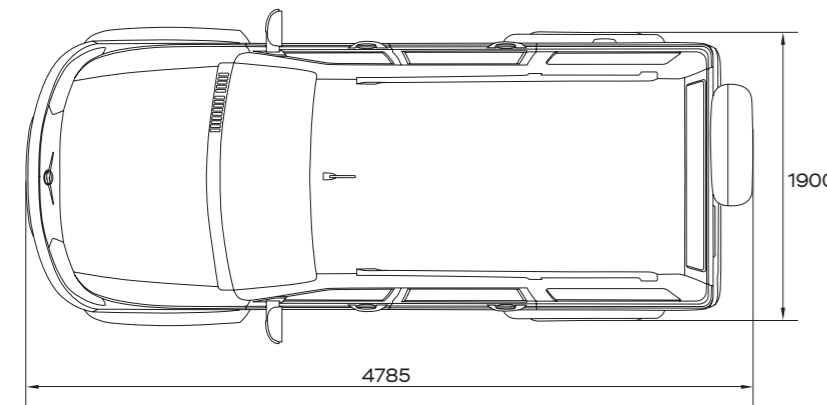
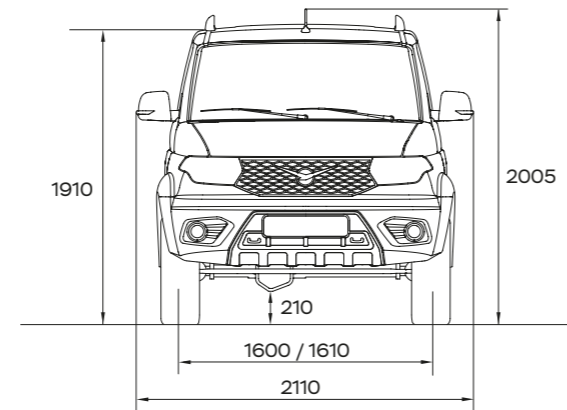
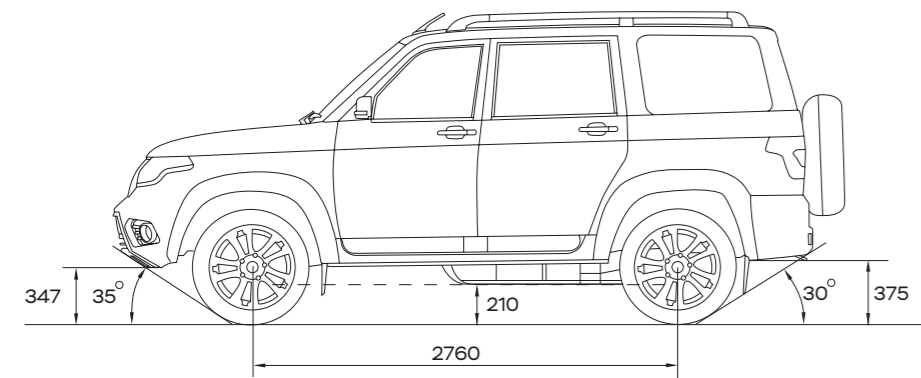


Karoo 18-inch alloy rims



Tanami 18-inch alloy rims

DIMENSIONS



SPECIFICATIONS

UAZ PATRIOT	
Vehicle model	3163
Vehicle type	Off-road vehicle (station wagon)
Seating capacity, pers	4+1
Curb weight, gasoline/diesel, kg	2125/2165
Gross weight, gasoline/diesel, kg	2650/2690
Payload, kg	525
Max. front axle load, kg	1115 - 1217
Max. rear axle load, kg	1433 - 1535
Max. trailer capacity (braked), kg	1500
Max. trailer capacity (unbraked), kg	750
Length (without/with spare wheel container), mm	4750/4785
Width (without/with mirrors), mm	1900/2110
Height (without/with antenna), mm	1910/2050
Wheelbase, mm	2760
Front track, mm	1600/1610
Rear track, mm	1600/1610
Luggage compartment capacity VDA, (to shutter / to roof / with rear seats folded), l	650/1130/2415

ENGINE		
Model	ZMZ - 409051 Four-stroke. Gasoline.	ZMZ - 51432 Four-stroke. Diesel.
Number and arrangement of cylinders	4, in-line	4, in-line
Displacement, cm ³	2693	2235
Maximum output, kW (hp)	110 (150) at 5000 rpm	83.5 (113.5) at 3000 rpm
Maximum torque, Nm	235.4 at 2650 rpm	270 at 1300-2800 rpm
Fuel	92/95 gasoline	Diesel

TRANSMISSION		
Gearbox	5-speed manual	6-speed automatic
Transfer gearbox	Manual, 2-speed, direct-drive and underdriven	
	Single-lever control	Electromechanical drive control
Reduction gear ratio	1,940	2,480 / 2,542
Type of drive	4x4 with front-wheel drive activation option	

CHASSIS	
Front suspension	Dependent, spring with antisway bar
Rear suspension	Dependent, on two leaf springs, with antisway bar
Steering gear	Hydraulic power steering
Service brakes type (front axle / rear axle)	With ventilated disc mechanisms / with drum mechanisms
Wheel discs	6.5JX16 · 7JX16 · 7JX18
Tires	225/75R16 · 235/70R16 245/70R16 · 245/60R18

SPECIFICATIONS	
Fuel tank capacity, l	68
Fuel consumption at driving with constant 90 km/h speed, gasoline/diesel, l	11.5/9.5
Max. speed, gasoline/diesel, km/h	150/135
Approach angle / departure angle, deg.	35/30
Min. road clearance, mm	210
Turning circle along the front outer wheel axis, m	5.62



WWW.UAZ.GLOBAL

For all inquiries about purchasing and maintenance of UAZ vehicles, please contact the authorized dealers in your area. The content of this brochure is intended for promotional purposes only. The colors of the body and interior trim shown in this brochure may differ slightly from the actual colors due to printing limitations. The illustrations may depict optional accessories and equipment not included in the basic package of the vehicle. Some equipment may vary depending on the sales market. The company reserves the right to make changes in technical data and packages specified in this brochure without prior notice.

