



**COLORADO**



**Holden**  
*Let's go there*



## RUGGED OUTSIDE REFINED INSIDE

It's time to re-think everything you already know about trucks. Yes, Colorado gives you all the power and performance of a rugged truck, but now it's more refined than you'd ever expect. Under the bonnet, the Duramax diesel engine is tough and yet surprisingly quiet, even when working hard. Electric power steering and a new suspension tune make this truck ride and handle more like a car. A new torque converter ensures the 500Nm\* of torque is delivered smoothly and efficiently. And with an impressive 3.5 tonne towing power, you know these refinements haven't compromised the Colorado's capability. It's a vehicle that will inspire you to achieve more, and not just at work. The new Colorado will help you get more out of life.

Colorado Z71 shown in Absolute Red

\* Auto models only

## MORE TECH THAN YOU EXPECT

The new Colorado combines high quality interior design with technology you wouldn't expect in a truck. The LTZ and Z71 models have integrated Sat Nav on the large 8-inch colour touch-screen. What's more, every Colorado comes with DAB+ digital radio, Apple CarPlay® and Android® Auto. This technology takes things you like doing on your phone and integrates them into your car. You can get directions, make calls, send and receive messages, and listen to music, all in a way that allows you to stay focused on the road ahead. Just plug in your phone and go.

Remote Start\* is another unexpected feature. Now you can start your truck remotely using your keyfob; great if you want to warm things up before jumping inside on those cold winter mornings. There are rain sensing wipers<sup>†</sup> so you won't have to take your hands off the wheel when you get caught in an unexpected downpour, and heated mirrors<sup>‡</sup> that de-mist themselves<sup>‡</sup> during those early morning trips to work. You can also use Remote Window Activation to open or close all windows with your keyfob, which is especially useful if you've left the windows down. And if your work or weekend takes you off-road, you'll find the Colorado's tyre pressure monitoring system<sup>††</sup> very handy.

- Available on LTZ only  
\* LTZ/Z71 auto models only  
† LTZ + Z71 only  
‡ Rear Demister must be turned on




# TECH TO KEEP YOU SAFER ON ROAD AND OFF

No matter where your Colorado takes you, it's good to know safety is its top priority, with a 5-star ANCAP safety rating across the entire range. There's even a driver's knee airbag for added protection. One of the more advanced safety features is Forward Collision Alert with Head Up Warning<sup>^</sup>. This uses a digital camera mounted on the windscreen with state-of-the-art image processing to observe and warn you of vehicles slowing down ahead. There's also Lane Departure Warning<sup>^</sup> and Electronic Stability Control for safer everyday driving, and Trailer Sway Control for when you're towing. And when you're parking, a Rear View Camera<sup>#</sup> and Rear Park Assist<sup>#</sup> will help keep your pride and joy looking its best for longer.

## Electronic Stability Control



-  Hill Start Assist & Hill Descent Control
-  Front Park Assist<sup>^</sup>
-  Lane Departure Warning<sup>^</sup>
-  Forward Collision Alert with Head Up Warning<sup>^</sup>
-  (7) airbags, including driver's knee airbag
-  Electronic Stability Control & Traction Control

-  Tyre Pressure Monitoring System<sup>^</sup>
-  Trailer Sway Control and Roll Over Mitigation
-  Rear Park Assist<sup>#</sup>
-  Rear View Camera<sup>#</sup>
-  Auto Headlamps

<sup>^</sup> LTZ + Z71 only  
<sup>#</sup> Standard on pickup models only



Colorado LTZ Crew Cab Pickup shown in Satin Steel Grey



## LS

### In Summit White

Colorado LS is the no-nonsense truck that's tough and rugged for everyday use with all the standard features you need to make hard work seem easy. But this is a vehicle that gives you much more than power and performance. With ISOFIX child restraint anchor points in the back and unexpected technology, including Apple CarPlay® and Android® Auto, the Colorado LS is all about enhancing your lifestyle. It makes driving a truck more enjoyable without compromising its versatility.

#### STANDARD ACROSS THE RANGE

- Holden MyLink infotainment system with Apple CarPlay® and Android® Auto
- 7" colour touch screen
- Digital audio radio (DAB+) radio
- 6-speaker audio system (Crew Cab Only)
- USB input with iPod connectivity
- 7 Airbags
- Electric power steering
- Leather wrap steering wheel
- LED DRL's
- Remote window activation
- Rear Park Assist\*
- Rear View Camera\*
- Hill Start Assist
- Electronic Stability Control
- Hill Descent Control
- Body coloured exterior mirrors with side turn signal
- Power adjustable exterior mirrors
- Vinyl floor (single & crew cab only)
- Rear ventilation duct (crew cab only)
- Helical Limited Slip Differential (LSD)



\* Standard on pickup models only

## LT

### In Nitrate Silver

Colorado LT is a step up, giving you more refinement and more convenience than most trucks in this price range. When it comes to technology, the 7-inch colour touch-screen puts Apple CarPlay® and Android® Auto at your fingertips, and 17" alloy wheels and side steps are a stylish addition to the exterior. Colorado LT is the perfect combination of form and function with all the features you need to help you get more out of your day, whether it's work or play.

#### STANDARD ACROSS THE RANGE

- Holden MyLink infotainment system with Apple CarPlay® and Android® Auto (as per LS)
- 7 Airbags
- Electric power steering
- Leather wrap steering wheel
- LED DRL's
- Remote window activation
- Hill Start Assist
- Rear Park Assist\*
- Rear View Camera\*
- Electronic Stability Control
- Hill Descent Control
- Body coloured exterior mirrors with side turn signal
- Power adjustable exterior mirrors
- Rear ventilation duct (crew cab only)
- Helical Limited Slip Differential (LSD)

#### ADDITIONAL FEATURES TO LS

- 17" alloy wheels (5)
- Carpet interior flooring
- Front fog lamps
- Side steps



\* Standard on pickup models only



Colorado LTZ Crew Cab Pickup shown in Satin Steel Grey

## LTZ In Satin Steel Grey

Colorado LTZ takes lifestyle vehicles to a whole new level. Here, Apple CarPlay® and Android® Auto technology is enhanced with safety features like Forward Collision Alert with Head Up Warning and Lane Departure Warning to ensure your safety is the top priority. Colorado LTZ also gives you the convenience of Remote Start\* and a more refined interior with an 8-inch

colour touch-screen and embedded Sat Nav, that will make you feel like you're driving the latest sedan. On the outside, 18-inch alloy wheels and an alloy sports bar complete the stylish look. With 3.5 tonne towing and 500Nm\* of torque this is all the power you need, combined with all the features you want to get the most out of life.



### ADDITIONAL FEATURES TO LT

- Holden MyLink infotainment system with:
  - 8" colour touch screen
  - Embedded Satellite Navigation
  - Embedded Voice Recognition
  - 7-speaker premium audio system (Crew Cab Only)
- 18" alloy wheels (5)
- Remote engine start\*
- Front park assist
- Forward collision alert with head up warning
- Lane departure warning
- Tyre pressure monitoring system
- Electrochromatic rear view mirror
- Heated exterior mirrors
- Power folding exterior mirrors
- Rain sensing wipers
- LED tail lights
- Soft tonneau cover
- Alloy sports bar
- Electronic climate control
- Chrome exterior mirrors with side turn signal
- Chrome exterior and interior door handles
- 6-way electric adjustable driver's seat
- Premium gear knob (manual transmission)
- Chrome gear selector (automatic transmission)
- Optional leather appointed seat trim with heated front seats°

\* Auto models only  
° 4x4 Crew Cab only



Colorado Z71 shown in Absolute Red

## Z71 In Absolute Red

It doesn't get any better than this top-of-the-range Colorado Z71 with class-leading technology, car-like handling and sophisticated interior styling. This ultimate Colorado is the pinnacle of aspiration, with the convenience of Apple CarPlay® and Android® Auto, embedded Sat Nav and Remote Start\* plus the safety of Forward Collision Alert with Head Up Warning.

You'll also appreciate heated front leather seats and stylish Arsenal Grey metallic 18-inch alloy wheels together with a Sailplane sports bar and integrated nudge bar. The Colorado Z71 looks as good as it drives, with style and performance credentials that ensure it's in a class of its own.



### ADDITIONAL FEATURES TO LTZ†

- 18" Arsenal Grey metallic wheels (5)
- Jet Black leather seat trim
- Heated front seats
- Z71 embroidered front seat headrests
- Sailplane sports bar & side rails with Z71 graphics
- Unique soft tonneau cover
- Gloss Black exterior door handles & exterior mirrors
- Black tailgate handle
- Black body side mouldings
- Z71 hood decals
- Unique front fascia with integrated nudge bar
- Gloss black front grille
- Roof Rails

† Z71 does not include heated mirrors  
+ Auto models only

# FEATURES

	4X2					4X4							
	Single Cab chassis	Crew Cab chassis	Pickup	Pickup	Pickup	Single Cab chassis	Space Cab chassis	Pickup	Crew Cab chassis	Pickup	Pickup	Pickup	Pickup
	LS	LS	LS	LT	LTZ	LS	LS	LTZ	LS	LS	LT	LTZ	Z71
<b>Engine and transmission</b>													
2.8L 4-cylinder Duramax 2 Diesel	●	●	●	●	●	●	●	●	●	●	●	●	●
6-speed manual transmission	●	●	●	●	●	●	●	●	●	●	●	●	●
6-speed automatic transmission with active select	○	○	○	○	○	○	○	○	○	○	○	○	○
Shift on the fly 4WD	●	●	●	●	●	●	●	●	●	●	●	●	●
Helical Limited Slip Differential (LSD)	●	●	●	●	●	●	●	●	●	●	●	●	●
Engine sump guard	●	●	●	●	●	●	●	●	●	●	●	●	●
<b>Safety and handling</b>													
Forward Collision Alert (FCA)				●				●			●	●	●
Lane Departure Warning (LDW)					●			●			●	●	●
Front airbags for driver and front passenger	●	●	●	●	●	●	●	●	●	●	●	●	●
Front seat side impact airbags	●	●	●	●	●	●	●	●	●	●	●	●	●
Full length side curtain airbags	●	●	●	●	●	●	●	●	●	●	●	●	●
Driver's knee airbag	●	●	●	●	●	●	●	●	●	●	●	●	●
Front disc brakes	●	●	●	●	●	●	●	●	●	●	●	●	●
Tyre pressure monitoring / indicator					●			●			●	●	●
High ride height	●	●	●	●	●	●	●	●	●	●	●	●	●
Independent double wishbone, coil spring front suspension	●	●	●	●	●	●	●	●	●	●	●	●	●
Leaf spring rear suspension	●	●	●	●	●	●	●	●	●	●	●	●	●
Electronic Stability Control (ESC) incorporating:	●	●	●	●	●	●	●	●	●	●	●	●	●
- Anti-lock Braking System (ABS)													
- Electronic Brakeforce Distribution (EBD)													
- Roll Over Mitigation (ROM)													
- Traction Control System (TCS)													
- Hill Start Assist (HSA)													
- Trailer Sway Control (TSC)													
- Hill Descent Control (HDC)													
Guard frame window protector			●	●							●	●	
Electric Power Steering (EPS)	●	●	●	●	●	●	●	●	●	●	●	●	●
Front seatbelt sash height adjust	●	●	●	●	●	●	●	●	●	●	●	●	●
Rear 3-point lap sash seatbelts								●			●	●	
Automatic Locking Retractor (ALR) - Rear Seat			●	●	●			●			●	●	●
Driver and front passenger seatbelt warning lamp and tone	●	●	●	●	●	●	●	●	●	●	●	●	●
Rear seat seatbelt warning reminder		●	●	●	●			●			●	●	●
Rear seat child restraint anchor points (3)		●	●	●	●			●			●	●	●
ISOFIX child restraint anchor point		●	●	●	●			●			●	●	●
<b>Security</b>													
Alarm	●	●	●	●	●	●	●	●	●	●	●	●	●
Remote keyless entry	●	●	●	●	●	●	●	●	●	●	●	●	●
Tailgate lock		●	●	●	●			●			●	●	●
Engine immobiliser	●	●	●	●	●	●	●	●	●	●	●	●	●
Flip keys (2)	●	●	●	●	●	●	●	●	●	●	●	●	●
<b>Wheels</b>													
16" x 6.5" steel wheel 245/70 R16 11S HT tyre (5)	●	●	●			●	●		●	●			
17" x 7" alloy wheel 255/65 R17 110S HT tyre (5)				●							●		
18" x 7.5" alloy wheel 265/60 R18 110T HT tyre (5)					●			●				●	
18" x 7.5" alloy wheel Arsenal Grey 265/60 R18 110T HT tyre (5)													●
<b>Lighting</b>													
LED Daytime running lamps	●	●	●	●	●	●	●	●	●	●	●	●	●
Automatic on/off headlights	●	●	●	●	●	●	●	●	●	●	●	●	●
Halogen reflector headlights	●	●	●	●	●	●	●	●	●	●	●	●	●
Forced on headlamps	○	○	○	○	○	○	○	○	○	○	○	○	○
Manual levelling headlights					●			●			●	●	●
Chrome headlamp bezel					●			●			●	●	●
LED tail lights					●			●			●	●	●
Front fog lamps				●	●			●			●	●	●

● Standard ○ Optional

● Standard ○ Optional  
+ Auto models only

	4X2					4X4							
	Single Cab chassis	Crew Cab chassis	Pickup	Pickup	Pickup	Single Cab chassis	Space Cab chassis	Pickup	Crew Cab chassis	Pickup	Pickup	Pickup	Pickup
	LS	LS	LS	LT	LTZ	LS	LS	LTZ	LS	LS	LT	LTZ	Z71
<b>Exterior</b>													
Tow hook - front (2)	●	●	●	●	●	●	●	●	●	●	●	●	●
Front and rear mudflaps	●	●	●	●	●	●	●	●	●	●	●	●	●
Body coloured exterior door handles	●	●	●	●	●	●	●	●	●	●	●	●	●
Body coloured exterior door handles with chrome strip					●			●			●	●	●
Black exterior door handles													●
Body coloured exterior mirrors	●	●	●	●		●	●		●	●	●		
Chrome exterior mirrors					●			●				●	
Black exterior mirrors													●
Black body side beltline moulding	●	●	●	●	●	●	●	●	●	●	●	●	●
Integrated nudge bar													●
Body coloured front bumper	●	●	●	●	●	●	●	●	●	●	●	●	●
Black rear bumper			●	●							●	●	●
Chrome rear bumper					●			●				●	
Front grille chrome surround	●	●	●	●	●	●	●	●	●	●	●	●	●
Front grille central bar - black	●	●	●	●	●	●	●	●	●	●	●	●	●
Front grille central bar - body colour													●
Front grille silver fins (radiator)	●	●	●	●		●	●		●	●	●		
Front grille chrome fins (radiator)					●			●				●	
Front grille gloss black fins (radiator)													●
Chrome tailgate handle					●			●				●	
Black tailgate handle			●	●							●	●	●
Soft tonneau cover					●			●				●	
Soft tonneau cover Z71													●
Alloy sports bar					●			●				●	
Sailplane sports bar and side rails													●
Side steps				●	●			●			●	●	●
Black body side mouldings	●	●	●			●	●	●	●	●			●
Roof Rails													●
Decal Package Z71: Sports bar, tailgate and bonnet													●
<b>Driver</b>													
Remote Start <sup>†</sup>					●			●				●	●
Bluetooth® connectivity	●	●	●	●	●	●	●	●	●	●	●	●	●
Electronic cruise control	●	●	●	●	●	●	●	●	●	●	●	●	●
Driver's foot rest	●	●	●	●	●	●	●	●	●	●	●	●	●
Rear View Camera		●	●	●	●			●			●	●	●
Wiring provisions for rear view camera	●	●				●	●		●	●			
Rear Park Assist			●	●	●			●			●	●	●
Front Park Assist					●			●				●	●
Enhanced multi-function display: vehicle information menu, trip information menu, fuel economy menu, warning/messages	●	●	●	●	●	●	●	●	●	●	●	●	●
Power adjustable exterior mirrors	●	●	●	●	●	●	●	●	●	●	●	●	●
Power folding exterior mirrors					●			●				●	●
Heated exterior mirrors					●			●				●	●
Electrochromatic (light sensitive) rear view mirror					●			●				●	●
Steering wheel height adjust	●	●	●	●	●	●	●	●	●	●	●	●	●
Multifunction steering wheel controls featuring:	●	●	●	●	●	●	●	●	●	●	●	●	●
- Bluetooth®													
- Cruise control													
- Audio controls													
Leather wrap steering wheel	●	●	●	●	●	●	●	●	●	●	●	●	●
Premium gear knob (manual)					●			●				●	●
Chrome gear selector (automatic)					●			●				●	●
Variable intermittent wipers	●	●	●	●	●	●	●	●	●	●	●	●	●
Rain Sensing Wipers					●			●				●	●
Rear window demister	●	●	●	●	●	●	●	●	●	●	●	●	●



# FEATURES

	4X2					4X4							
	Single Cab chassis	Crew Cab chassis	Pickup	Pickup	Pickup	Single Cab chassis	Space Cab chassis	Pickup	Crew Cab chassis	Pickup	Pickup	Pickup	Pickup
	LS	LS	LS	LT	L TZ	LS	LS	L TZ	LS	LS	LT	L TZ	Z71
<b>Entertainment</b>													
Phone projection featuring Apple® CarPlay™ and Android Auto™	●	●	●	●	●	●	●	●	●	●	●	●	●
MyLink infotainment system with 7" touchscreen	●	●	●	●	●	●	●	●	●	●	●	●	●
MyLink infotainment system with 8" touchscreen					●			●			●		●
Digital Audio Broadcast (DAB+) multimedia	●	●	●	●	●	●	●	●	●	●	●	●	●
Embedded satellite navigation					●			●			●		●
Speaker: Quantity	2	6	6	6	7	2	4	4	6	6	6	7	7
Steering wheel mounted audio controls	●	●	●	●	●	●	●	●	●	●	●	●	●
USB input with iPod® connectivity	●	●	●	●	●	●	●	●	●	●	●	●	●
Auxiliary input	●	●	●	●	●	●	●	●	●	●	●	●	●
Roof mounted antenna	●	●	●	●	●	●	●	●	●	●	●	●	●
<b>Seating</b>													
Cloth seat trim	●	●	●	●	●	●	●	●	●	●	●	●	●
Leather appointed seat trim											○		●
Front heated seats (paired with leather appointed seat trim)											○		●
Front bucket seats	●	●	●	●	●	●	●	●	●	●	●	●	●
Embroidered front headrests Z71													●
6-way adjustable driver seat	●	●	●	●	●	●	●	●	●	●	●	●	●
6-way electric adjustable drivers seat					●			●			●		●
4-way adjustable front passenger seat	●					●	●	●					
6-way adjustable front passenger seat		●	●	●	●				●	●	●	●	●
Two rear folding jump seats							●	●					
Head restraints - driver and front passenger	●	●	●	●	●	●	●	●	●	●	●	●	●
Head restraints - three rear passengers		●	●	●	●				●	●	●	●	●
Rear seat centre armrest		●	●	●	●				●	●	●	●	●
<b>Cabin comfort</b>													
Air conditioning with pollen filter	●	●	●	●	●	●	●	●	●	●	●	●	●
Electronic climate control					●			●			●		●
Power windows, with express driver and passenger up and down	●	●	●	●	●	●	●	●	●	●	●	●	●
Power windows, with express rear passenger up and down		●	●	●	●				●	●	●	●	●
Remote window activation via keyfob	●	●	●	●	●	●	●	●	●	●	●	●	●
Dual front reading lamps	●	●	●	●	●	●	●	●	●	●	●	●	●
Centre dome lamp	●	●	●	●	●	●	●	●	●	●	●	●	●
Two 12 volt power outlets in centre dash	●	●	●	●	●	●	●	●	●	●	●	●	●
12 volt power outlet in rear of centre console		●	●	●	●				●	●	●	●	●
Vanity mirror on front passenger sunvisor with cover	●	●	●	●	●	●	●	●	●	●	●	●	●
Jet black instrument panel with dark ash grey stitch	●	●	●	●	●	●	●	●	●	●	●	●	●
Dark sleek silver interior door handles	●	●	●	●	●	●	●	●	●	●	●	●	●
Chrome interior door handles					●			●			●		●
Aluminium door insert - natural	●	●	●	●	●	●	●	●	●	●	●	●	●
Aluminium door insert - brushed					●			●			●		●
Driver and front passenger pillar assist handle	●	●	●	●	●	●	●	●	●	●	●	●	●
Front passenger overhead assist handle	●	●	●	●	●	●	●	●	●	●	●	●	●
Rear passenger overhead assist handles with coat hooks		●	●	●	●				●	●	●	●	●
Floor covering - vinyl	●	●	●	●	●	●	●	●	●	●	●	●	●
Floor covering - carpet				●	●		●	●		●	●	●	●
<b>Storage and Cargo</b>													
Front dual cup holders in centre console	●	●	●	●	●	●	●	●	●	●	●	●	●
Door pockets with integrated bottle storage	●	●	●	●	●	●	●	●	●	●	●	●	●
Front seat cushion pocket driver and passenger					●			●			●		●
Driver and front passenger seat back pocket					●			●			●		●
Rear seats with 60/40 split fold base and under seat storage		●	●	●	●				●	●	●	●	●
Coat hooks (2)		●	●	●	●				●	●	●	●	●
Roof console - sunglasses holder & dual reading lamps					●			●			●		●

● Standard ○ Optional

# TECHNICAL SPECIFICATIONS

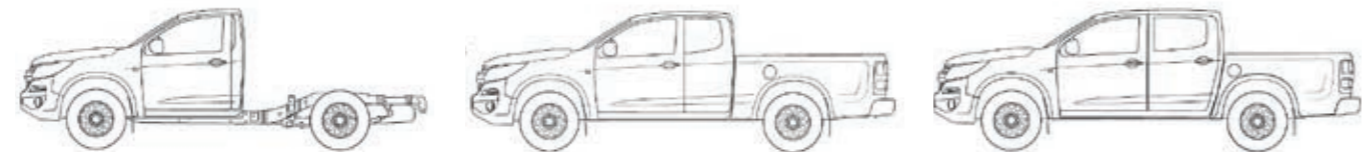
2.8L Duramax Diesel			
<b>Engine</b>	2.8L double overhead cam 4-cylinder common rail injection Duramax Diesel with 4 valves per cylinder		
<b>Capacity (cc)</b>	2776		
<b>Compression ratio</b>	16.5:1		
<b>Bore x stroke (mm)</b>	94 x 100		
<b>Maximum power (ECE, kW)*</b>	147 @ 3600rpm		
<b>Maximum torque (ECE, Nm)*</b>	440 @ 2000rpm - manual		500 @ 2000rpm - automatic
<b>Gear ratios</b>	<b>6-speed manual</b>	<b>6-speed automatic</b>	
<b>1st</b>	4.02	4.06	
<b>2nd</b>	2.21	2.37	
<b>3rd</b>	1.46	1.55	
<b>4th</b>	1	1.16	
<b>5th</b>	0.76	0.85	
<b>6th</b>	0.59	0.67	
<b>Reverse</b>	3.63	3.2	
<b>Final drive ratio</b>	4.10	3.42	
<b>Transfer case ratio (4x4 only)</b>			
<b>Low range</b>	2.62 : 1		
<b>High range</b>	1 : 1		
<b>Fuel tank capacity (L)</b>	76		
<b>Fuel</b>	Diesel		
<b>Electronic Stability Control (ESC)</b>	Incorporating: Anti-lock Braking System (ABS), Electronic Brakeforce Distribution (EBD), Traction Control System (TCS), Hill Descent Control, Hill Start Assist (HSA) and Trailer Sway Control (TSC) Roll Over Mitigation (ROM)		
<b>Brakes</b>	Front disc, rear drum brakes		
<b>Front diameter (mm)</b>	300		
<b>Rear diameter (mm)</b>	295		
<b>Track: Front and rear (mm)</b>	1570		
<b>Turning circle (kerb to kerb, m)</b>	12.7		
<b>4x4 system</b>	Electronic select shift on the fly 4x4, 2-speed transfer case (4x4 models only)		
<b>Suspension</b>	Independent double wishbone, coil spring front suspension Leaf spring rear suspension		
<b>Steering</b>	Electric Power Steering (EPS)		
<b>Service</b>	The complimentary inspection is due at 1 month. The first service is due at 15,000km or 9 months (whichever occurs first) and then every 15,000km or 9 months (whichever occurs first) since the last service. Additional services may be required under certain driving conditions such as when towing (refer to Owner's Handbook)		
<b>Angles</b>	<b>Approach angle (°)</b>	<b>Departure Angle (°)</b>	<b>Ramp breakover angle (°)</b>
<b>All models</b>	28	22*	22*

\*Maximum figures as per ECE regulations \*At kerb mass \*Pickup variants only

# BODY STYLES AND WEIGHTS

	4x2				4x4			
	2.8L Duramax Diesel				2.8L Duramax Diesel			
<b>Gross Vehicle Mass (GVM) (kg)</b>	3150				3150			
<b>Gross Combined Mass (GCM) (kg)</b>	6000				6000			
<b>Payload*</b>	Please refer to the vehicle load calculator on the inside back page of this brochure							
<b>Wading Depth (mm)</b>	600				600			
<b>Tow ball load (kg)^</b>	350				350			
<b>Towing Mass* (kg)</b>								
Braked	3500				3500			
Unbraked	750				750			
<b>Curb Mass (kg)</b>	Chassis*				Chassis*			
<b>Single Cab</b>	Man	Auto	Man	Auto	Man	Auto	Man	Auto
LS	1673	1663	-	-	1770	1763	-	-
<b>Space Cab</b>								
LS	-	-	-	-	1863	1856	-	-
LTZ	-	-	-	-	-	-	2071	2064
<b>Crew Cab</b>								
LS	1834	1824	1978	1968	1927	1920	2072	2065
LT	-	-	2015	2005	-	-	2109	2102
LTZ	-	-	2034	2024	-	-	2128	2121
Z71	-	-	-	-	-	-	2150	2143
<b>Axle load limits</b>								
Front	1450				1450			
Rear	1850				1850			

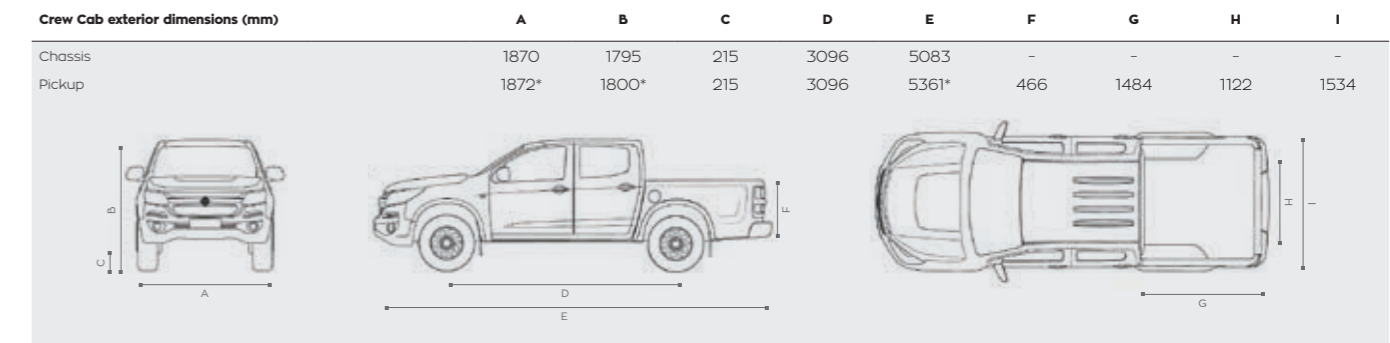
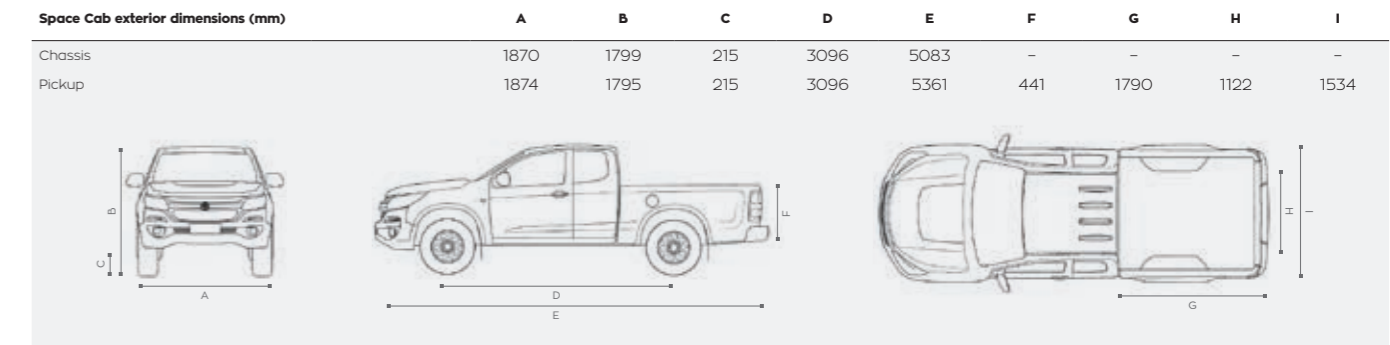
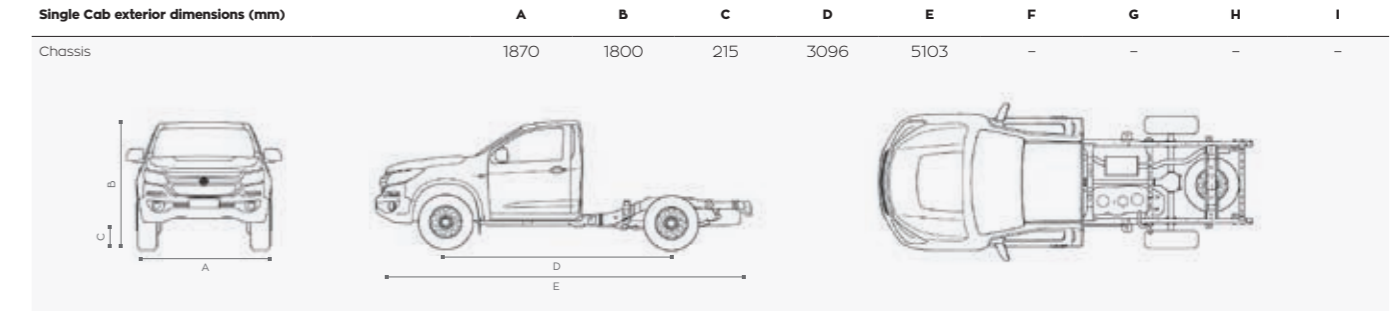
	Single Cab	4x2	4x4	Space Cab	4x2	4x4	Crew Cab	4x2	4x4
Chassis	LS	LS	LS	Chassis	-	LS	Chassis	LS	LS
				Pickup	-	LTZ	Pickup	LS, LT, LTZ	LS, LT, LTZ, Z71



\*Please refer to inside back page of this brochure for vehicle loading calculator ^Maximum load with braked trailer \*Curb Mass for chassis variants without optional tray

# VEHICLE DIMENSIONS

- A body width
- B height
- C ground clearance
- D wheelbase
- E length
- F tray height
- G tray length
- H tray width btw. arches
- I tray width



Interior dimensions (mm)	Front Headroom	Rear Headroom	Front Legroom	Rear Legroom	Front Shoulder Room	Rear Shoulder Room
Single Cab	1005	-	1045	-	1447	-
Space Cab	1005	947	1045	675	1447	1481
Crew Cab	1005	973	1045	856	1447	1472



\*LTZ Measurement shown

# COLOUR & TRIM

## Exterior Colours And Trims

Model	Exterior Colour		Interior Trim										
	Solid	Prestige*											
	Summit White	Absolute Red	Mineral Black*	Nirate Silver*	Satin Steel Grey*	Blue Mountain*	Auburn Brown**						
4X2													
LS / LT	●	●	●	●	●	●				Jet Black Cloth			
LTZ	●	●	●	●	●	●	●			Jet Black Cloth			
4X4													
LS / LT	●	●	●	●	●	●				Jet Black Cloth			
LTZ	●	●	●	●	●	●	●			Jet Black Cloth			
LTZ	○	○	○	○	○	○	○			Jet Black Leather (4x4 Crew Cab only)			
Z71	●	●	●		●					Jet Black Leather with Z71 Embroidered Front Headrests			

\* Prestige paints are available at an additional cost and certain colours may not be available from time to time. Variations between colours shown and actual paint colours/interior trim colours may occur due to the printing process. Actual vehicle colours may appear different under certain light conditions. Trim patterns are not to scale. Indicative only. Customers are encouraged to contact their Holden Dealer for current colour availability.  
 ^ Crew Cab models only.

● Standard ○ Optional



LS/LT Cloth



LTZ Cloth



Z71 Black Leather, LTZ option



Satin Steel Grey\*



Absolute Red



Summit White



Mineral Black\*



Nirate Silver\*



Blue Mountain\*



Auburn Brown\*\*

# CAPACITY CALCULATOR

Vehicle Load Calculator - Towing		Example 1 Light Towing 1000kg Trailer	Example 2 Heavy Towing 3500kg Trailer
<b>Vehicle:</b>		2.8L 4x4 LS Space Cab Chassis Auto	2.8L 4x2 LTZ Crew Cab Pickup Auto
<b>Gross Combined Mass (GCM):</b>	kg	6000 kg	6000 kg
less:	(Total Trailer mass less tow ball load)		
<b>Trailer Axle Load:</b>	kg	900 kg	3150 kg
=Total	(NOTE: This value must not exceed the GVM of 3150kg. If this value is greater you must use the applicable GVM to continue calculating the Colorado's remaining load capacity)	kg 3150 kg	2850 kg
less:			
<b>Kerb Mass:</b>	(refer to weights table in brochure)	kg 1856 kg	2024 kg
less:			
<b>Tow Ball Load:</b>	(refer to towing section of owners handbook)	kg 100 kg	350 kg
less:			
<b>All Occupants:</b>		kg 160 kg	160 kg
less:			
<b>Mass of any optional accessories (if fitted to vehicle)</b>			
Tow Bar Package:	kg	34* kg	30* kg
Canopy:	kg		58 kg
Fitted Body/Tray:	kg	135 kg	
Other:	kg		
Other:	kg		
= Remaining Load Capacity*:	kg	865 kg	228 kg

\* This figure is the maximum load your vehicle is permitted to carry without exceeding its GVM/GCM rating. The load must be appropriately distributed and the maximum allowable front and rear axle load limits must not be exceeded. # Speak to your Holden Dealer for more information on recommended body lengths. \*Two different tow bar masses shown; one for pickup box and one for cab chassis models



## LIFETIME CAPPED PRICE SERVICING LIFETIME PEACE OF MIND

### KNOW THE COST

You'll know exactly what you'll be charged for each scheduled service before you even drop off your car.

### YOUR CAR IS BEING TAKEN CARE OF

With trained expert technicians using only Holden-approved parts and fluids, sleep easy knowing your car is taken care of.

### EVERY HOLDEN IN AUSTRALIA

As one of Australia's biggest Capped Price Servicing\* programs, we're proud to offer you complete service cost transparency on every Holden ever built, dating back to 1948.

Calculate the cost of servicing your Holden using the online calculator at [holden.com.au](https://www.holden.com.au)

### NO SURPRISES, NO UNCERTAINTY, NO WORRIES.

Lifetime Capped Price Servicing\* is just one of the many ways

Holden Complete Care puts you first.

We're also pleased to offer you our new *Take Your Time Test Drive*.

Now we give you the option of a 24 hour test drive when you're choosing a new car, so you can get to know any Holden on your terms.

And of course, no matter which new Holden you choose, it's reassuring to know that every new vehicle is covered by a *3 year/100,000km warranty*.\*

What's more, with Holden Complete Care you get the added peace of mind of one year's *Roadside Assistance*, in case you should ever need it.

With Lifetime Capped Price Servicing\* and lots more, Holden Complete Care is our way of caring for you and your car.



Take your time test drive



3 years/100,000km warranty\*



Roadside assist

Find out more by going to [holden.com.au/completecure](https://www.holden.com.au/completecure)

\* Subject to Lifetime Capped Price Service terms and conditions. See [holden.com.au](https://www.holden.com.au) for details and to obtain a quote. \* Our goods come with guarantees that cannot be excluded under the Australian Consumer Law. You are entitled to a replacement or refund for a major failure and compensation for any other reasonably foreseeable loss or damage. You are also entitled to have the goods repaired or replaced if the goods fail to be of acceptable quality and the failure does not amount to a major failure.





Cover image: Colorado LTZ Crew Cab Pickup shown in Satin Steel Grey.

Bluetooth® is a registered trademark and logo of Bluetooth SIG, Inc. iPod® and Siri® are registered trademarks of Apple Inc.

Pandora® is a registered trademark of Pandora Media Inc. Stitcher™ is a registered trademark of Stitcher Inc.

A word about this brochure. We have tried to make this brochure as comprehensive and factual as possible. However, since the time of printing some of the information you'll find here may have been updated. Also, some of the equipment shown or described through this brochure may have been changed and/or is available at extra cost. Further, GM Holden Ltd ABN 84 006 893 232 (Holden), reserves the right to make changes at any time without notice, in prices, colours, materials, equipment and models. Your Holden Dealer has details, and before ordering, you should ask them to bring you up to date. No Holden Dealer or other person is authorised or permitted to give or make any statement, assertion or undertaking in relation to the quality, performance characteristics, descriptions or fitness for any purpose of any Holden product which is at variance with any written statement, assertion or undertaking on any of these subjects given or made by Holden in its published sales literature, and Holden does not accept any liability for any such unauthorised action. Holden has authorised Dealers in many parts of Australia for the sale of service parts and the provision of service to owners of Holden's products. Every endeavour is made to ensure that such Dealers carry adequate stocks of service parts, but Holden doesn't make any promise other than that contained in the New Vehicle Warranty given by Holden that such parts or service facilities will be available at any specific location or at any particular time. Express warranties offered for Holden products are subject to the conditions set out in all vehicle handbooks. Details also available from Holden on request. Copyright Holden. HBR2256, September 16, AD13602.