

# »» COLORADO SPORTSCAT



**HSV**

## » AUSTRALIA'S MOST ADVANCED SPORTS 4X4

Bold and undeniably dynamic, the new Colorado SportsCat and SportsCat+ are in a league of their own. One glance at their striking lines is enough to get your heart pumping. Get behind the wheel and you'll quickly discover you're in complete control of a 4x4 that takes driving dynamics to a whole new level. If you're looking for Australia's premium sports 4x4 range, you've found it.



## » BEST ON GROUND STYLING

A standout in the 4x4 field, the new SportsCat+ has it over the competition in more ways than one. Bold and aggressive HSV design cues and a wider track<sup>^</sup> give the vehicle a stance and presence unlike any other. One look at the distinctive bonnet bulge and striking front fascia with integrated '3D' grille, splash tray, recovery hooks and LED fog lamps, and you know this is a sports 4x4 to be reckoned with. Adding to the vehicle's street cred are HSV 18" x 10", 6-spoke forged alloy wheels wrapped in Cooper Zeon LTZ Sports All-Terrain tyres. In addition to their rugged off-road capability, these hybrid tyres were specially selected by HSV's chassis engineers for their exceptional on-road characteristics, especially on tarmac and dirt roads. Their size (285/60 R18) and rolling radius also deliver a 20mm increase in vehicle ride height.<sup>^</sup>



## »» AGILITY AND ABILITY

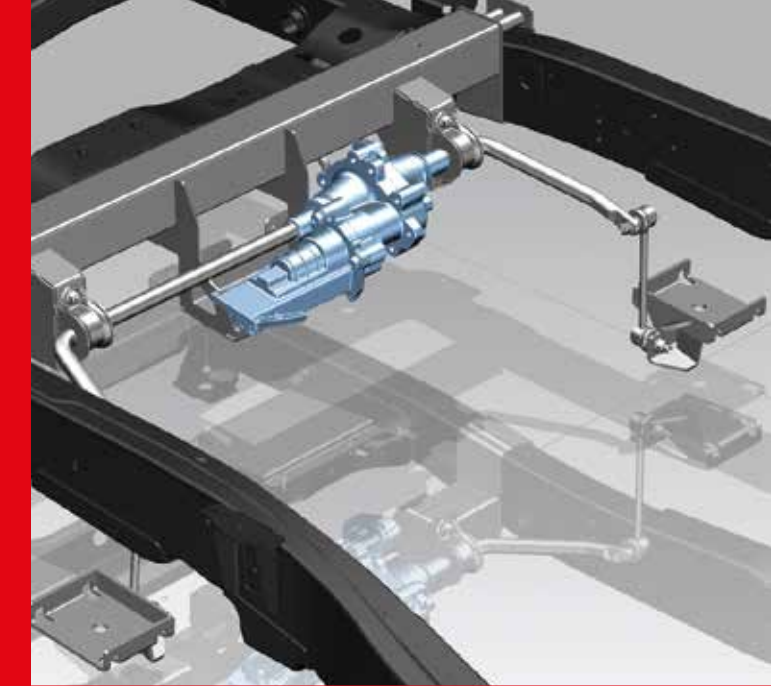
Both SportsCat models come with everything you need to get the job done and then some. A 2.8L, DOHC Duramax Turbo Diesel delivers 147kW of power, and 500Nm of torque when matched with the optional 6-speed automatic transmission with Active Select. Maximum towing capacity is a more than handy 3,500kg\*. Adding form to function is a unique hard tonneau with one-piece outer. This stylish hard tonneau features load rails for easy attachment of the genuine HSV load rack accessory, plus a quick-release mechanism for those times when you want to maximise storage height in the tub. Inspired by high-end wakeboarding boats, a unique sailplane\* complements the striking design of the vehicle. Featuring a distinctive applique and soft-open functionality, the tailgate also adds to the rugged and aggressive look of this dynamic sports 4x4.



## » ENGINEERED FOR DRIVERS WHO LIKE TO PLAY HARD

Both SportsCat models feature HSV Sports suspension. With the front spring rate stiffened to 110 Newtons/mm, and the addition of front strut braces, this unique suspension delivers outstanding front-end support with less body roll and more accurate transient response. The suspension's MTV dampers have also been tuned to suit the revised spring rate resulting in a more performance-based handling characteristic. The front ride height of both vehicles has been lifted by 25mm<sup>^</sup> which improves the approach angle of the vehicle, increases ground clearance to the body and reduces the overall rake for a more natural on-road stance. For the SportsCat+, HSV chassis engineers also developed a special rear de-coupling anti-roll bar that improves on-road performance at higher speeds by reducing rear roll and enhancing turn-in transient response. Select 'shift-on-the-fly' 4 Wheel Drive Low and the system automatically de-activates to optimise off-road performance. SupaShock suspension (as seen on HSV's iconic GTSR W1) is also available as a factory-fitted option on the SportsCat+, taking the vehicle's suspension capabilities to yet another level.

Braking power on the SportsCat+ is equally impressive thanks to front 4-piston forged AP Racing calipers with 362mm x 32mm rotors and a large 25.4mm diameter brake master cylinder. The Electronic Stability Control (ESC) and Traction Control System (TCS) on both SportsCat models have also been modified to enable less aggressive interventions, particularly on corner exit. The result is a more dynamic driving experience.



## » SOPHISTICATED SPORTS ERGONOMICS

Take the wheel of either SportsCat model and the first thing you'll notice is the firm embrace of the heated, 6-way electric adjustable SV Sports seat crafted from Jasmine leather with Windsor suede inserts and red stitching highlights. Passengers are treated to a similar level of comfort and style. The sophisticated sports look is continued throughout the cabin with special treatments given to the dash pad, door inserts, centre console cover, leather-wrapped steering wheel and floor mats. All essential controls are placed at your fingertips in this hi-tech 4x4. An 8" colour touchscreen, Apple CarPlay® and Android® Phone Projection technology, DAB+ digital radio, a premium 7-speaker audio system, satellite navigation and electronic climate control all come standard. Both vehicles also come fully loaded with a raft of safety and convenience technologies including forward collision alert, lane departure warning, front and rear park assist, rain sensing wipers and a rear-view camera.



## »» OUTSTANDING FORM

As HSV's Chief Designer, Julian Quincey, put it - 'With SportsCat, we wanted to pursue a really clean look. We deliberately pared back the aggression of the wheel arches, grille inserts and outer intakes to deliver a smooth, integrated appearance.' The result is a bold and stylish vehicle that features the same ride height, interior and creature comforts as its running mate. The SportsCat also features HSV 18" x 10" 6-spoke forged alloy wheels in Matte Black, Cooper Zeon LTZ Sports All-Terrain tyres, HSV Sports suspension and a hard tonneau with alloy sports bar.



SPORTS  
CAT



## » PERSONALISATION



SupaShock suspension\*



Load rack



18" X 10" FORGED ALLOY WHEEL (MATTE BLACK)  
SPORTSCAT



Eye-bolt



Tub liner & Loadmaster



18" X 10" FORGED ALLOY WHEEL (MATTE BLACK/MACHINED-FACE)  
SPORTSCAT+

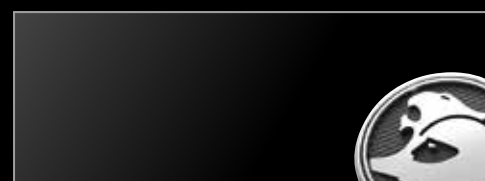
## » COLOURS



Summit White



Satin Steel Grey ^



Mineral Black ^



Absolute Red

## » TECHNICAL DATA

### 2.8L DURAMAX 2 DIESEL

Engine	2.8L double overhead cam 4-cylinder common rail injection Duramax 2 Diesel with 4 valves per cylinder	
Capacity (cc)	2776	
Compression ratio	16.5:1	
Bore x stroke (mm)	94 x 100	
Maximum power (ECE, kW)*	147 @ 3600rpm	
Maximum torque (ECE, Nm)*	440 @ 2000rpm (manual)	500 @ 2000rpm (automatic)
Gear ratios	6-speed manual	6-speed automatic
1st	4.02	4.06
2nd	2.21	2.37
3rd	1.46	1.55
4th	1.00	1.16
5th	0.76	0.85
6th	0.59	0.67
Reverse	3.63	3.20
Final drive ratio	4.10	3.42

### TRANSFER CASE RATIO

Low range	2.62 : 1
High range	1 : 1
Fuel tank capacity (L)	76
Fuel	Diesel

### ELECTRONIC STABILITY CONTROL (ESC)

Incorporating: Anti-lock Braking System (ABS), Electronic Brakeforce Distribution (EBD), Traction Control System (TCS), Hill Descent Control (HDC), Hill Start Assist (HSA), Trailer Sway Control (TSC) and Roll Over Mitigation (ROM)

### BRAKES

Brakes (SportsCat)	Front discs with 25.4mm master cylinder; rear drum
Brakes (SportsCat+)	Front discs with 4-piston calipers and 25.4mm master cylinder; rear drum

Front disc diameter (mm)	300 (SportsCat); 362 (SportsCat+)
Rear disc diameter (mm)	295
Track: Front and rear (mm)	1600
Turning circle (kerb to kerb, m)	13.6
4x4 system	Electronic select shift on the fly 4x4, 2-speed transfer case
Suspension	Independent double wishbone, coil spring front suspension; leaf spring rear suspension
Steering	Rear de-coupling anti-roll bar (SportsCat+) Electric Power Steering (EPS)

The complimentary inspection is due at 1 month of owning your new vehicle. The first service is due at 15,000km or 9 months (whichever occurs first) and then every 15,000km or 9 months (whichever occurs first) since the last service. Additional services may be required under certain driving conditions such as when towing (refer to Owner's Handbook)

Angles^	Approach angle	Departure angle	Ramp breakover angle
Both models	32°	24°	27°
Gross Vehicle Mass (GVM) (kg)	3150		
Gross Combined Mass (GCM) (kg)	6300		
Wade Depth (mm)	600		
Tow ball load (kg)†	350		

### TOWING MASS

Braked (kg)	3500
Unbraked (kg)	750

### KERB MASS

	Manual	Auto
SportsCat (kg)	2257	2250
SportsCat+ (kg)	2281	2274

### AXLE LOAD LIMITS

Front (kg)	1450
Rear (kg)	1850

### Exterior dimensions (mm)

Model	Body Width	Height	Ground Clearance	Wheelbase	Length	Tray Height	Tray Length	Tray Width btw. Arches	Tray Width
SportsCat & SportsCat+	1933	1826	251	3095	5345	466	1484	1122	1534

### Interior dimensions (mm)

Model	Front Headroom	Rear Headroom	Front Legroom	Rear Legroom	Front Shoulder Room	Rear Shoulder Room
SportsCat & SportsCat+	1005	973	1045	856	1488	1472

\*SportsCat+ only. ^Prestige Paint.

\* Maximum figures as per ECE regulations ^ At kerb mass † Maximum load with braked trailer



# » FULL SPECIFICATIONS

## ENGINE AND TRANSMISSION

2.8L 4-cylinder Duramax 2 Diesel	■	■
6-speed manual transmission	■	■
6-speed automatic transmission with Active Select	□	□
Shift on the fly 4WD	■	■
Limited Slip Differential (LSD)	■	■
Engine sump guard	■	■

## SAFETY AND HANDLING

Forward Collision Alert (FCA)	■	■
Lane Departure Warning (LDW)	■	■
Front airbags for driver and front passenger	■	■
Front seat side impact airbags	■	■
Full length side curtain airbags	■	■
Driver knee airbag	■	■
Front disc brakes	■	-
AP Racing forged 4-piston brake calipers (362mm discs) - front	-	■
25.4mm brake master cylinder	■	■
Tyre pressure monitoring / indicator	■	■
High ride height	■	■
HSV Sports suspension (independent double wishbone, coil spring - front; leaf spring - rear)	■	■
SupaShock suspension	-	□
Rear de-coupling anti-roll bar	-	■
Electronic Stability Control (ESC) incorporating:		
• Anti-lock Braking System (ABS)	■	■
• Electronic Brakeforce Distribution (EBD)	■	■
• Traction Control System (TCS)	■	■
• Hill Descent Control (HDC)	■	■
• Hill Start Assist (HSA)	■	■
• Trailer Sway Control (TSC)	■	■
• Roll Over Mitigation (ROM)	■	■
Electric Power Steering (EPS)	■	■
Front seatbelt sash height adjust	■	■
Rear 3-point lap sash seatbelts	■	■
Automatic Locking Retractor (ALR) - Rear Seat	■	■
Driver and front passenger seatbelt warning lamp and tone	■	■
Rear seat seatbelt warning reminder	■	■
Rear seat child restraint anchor points (3)	■	■
ISOFIX child restraint anchor point	■	■

## SECURITY

Alarm	■	■
Remote keyless entry	■	■
Tailgate lock	■	■
Engine immobiliser	■	■
Flip keys (2)	■	■

## WHEELS/TYRES

18" x 10" 6-spoke forged alloy wheels (Matte Black)	■	-
18" x 10" 6-spoke forged alloy wheels (Matte Black with machined-face)	-	■
285/60 R18 Cooper Zeon LTZ Sports All-Terrain tyres	■	■

## LIGHTING

LED daytime running lamps	■	■
Automatic on/off headlights	■	■
Halogen reflector headlights	■	■
Manual levelling headlights	■	■
Chrome headlamp bezel	■	■
LED tail lights	■	■
Front LED fog lamps	■	■

## EXTERIOR

HSV recovery hooks (2) - front	■	■
Front and rear mudflaps	■	■
Bonnet bulge	-	■
Black exterior door handles	■	■
Black exterior mirrors	■	■
HSV designed front fascia with lower integrated splash tray	■	■
Black rear bumper	■	■
HSV upper grille finished in Satin Black	■	-
HSV '3D' upper grille finished in Satin Black	-	■
HSV wheel arch flares in Satin Black	■	-
HSV '3D' wheel arch flares in Satin Black	■	■
Soft-open tail gate strut	■	■
COLORADO tail gate applique	■	■
HSV hard tonneau with load rail provision	■	■
HSV alloy sports bar	■	■
HSV sailplane	-	□
Tubular side steps	■	■
Roof rails	■	■

## DRIVER

Remote start (auto only)	■	■
Bluetooth® connectivity	■	■
Electronic cruise control	■	■
Driver's foot rest	■	■
Rear-view camera	■	■
Rear Park Assist	■	■
Front Park Assist	■	■
Enhanced multi-function display: vehicle information menu, trip information menu, fuel economy menu, warning/messages	■	■
Power adjustable exterior mirrors	■	■
Power folding exterior mirrors	■	■
Electrochromatic (light sensitive) rear view mirror	■	■
Steering wheel height adjust	■	■
Multifunction steering wheel controls featuring: Bluetooth®, cruise control, audio controls	■	■
Leather wrap steering wheel	■	■
Premium gear selector (manual)	■	■
Chrome gear selector (automatic)	■	■
Variable intermittent wipers	■	■
Rain sensing wipers	■	■
Rear window demister	■	■

## ENTERTAINMENT

Phone projection featuring Apple CarPlay® and Android® Auto	■	■
MyLink infotainment system with 8" colour touchscreen	■	■
Digital Audio Broadcast (DAB+) multimedia	■	■
Embedded satellite navigation	■	■
7-speaker audio	■	■
Steering wheel mounted audio controls	■	■
USB input with iPod® connectivity	■	■
Auxiliary input	■	■
Roof mounted antenna	■	■

## SEATING

SV Sports seats (Jasmine leather / Windsor suede)	■	■
Front heated seats	■	■
Front bucket seats	■	■
6-way electric adjustable driver's seat	■	■
6-way adjustable front passenger seat	■	■
Head restraints - driver and front passenger	■	■
Head restraints - three rear passengers	■	■
Rear seat centre armrest	■	■

## CABIN COMFORT

Air conditioning with pollen filter	■	■
Electronic climate control	■	■
Power windows, with express driver and passenger up and down	■	■
Power windows, with express rear passenger up and down	■	■
Remote window activation via key fob	■	■
Dual front reading lamps	■	■
Centre dome lamp	■	■
Two 12 volt power outlets in centre dash	■	■
12 volt power outlet in rear of centre console	■	■
Vanity mirror on front passenger sunvisor with cover	■	■
Chrome interior door handles	■	■
Aluminium door insert	■	■
Driver and front passenger pillar assist handle	■	■
Front passenger overhead assist handle	■	■
Rear passenger overhead assist handles with coat hooks	■	■
Floor covering - carpet	■	■
Floor mats	■	■

## STORAGE AND CARGO

Tub liner	□	□
Front dual cup holders in centre console	■	■
Door pockets with integrated bottle storage	■	■
Driver and front passenger seat cushion pocket	■	■
Driver and front passenger seat back pocket	■	■
Rear seats with 60/40 split fold base and under seat storage	■	■
Coat hooks (2)	■	■
Roof console - sunglass holder & dual reading lamps	■	■

Standard ■ Optional □ N/A -

Visit [hsv.com.au](http://hsv.com.au) for more details. Follow us on



A word about this catalogue. Images shown are for illustration purposes only. We have tried to make this catalogue as comprehensive and factual as possible however, since the time of printing, some of the information you'll find here may have been updated. Also, some of the equipment shown or described throughout this catalogue may have been changed and/or is available at extra cost. Further, HSV reserves the right to make changes at any time, without notice, in prices, colours, materials, equipment and models. Your HSV Dealer has details and, before ordering, you should ask them to bring you up to date. No HSV Dealer, or other person, is authorised, or permitted, to give, or make any statement, assertion or undertaking in relation to the quality, performance characteristics, descriptions or fitness for any purpose, of HSV product which is at variance with any written statement, assertion or undertaking on any of these subjects given, or made, by HSV in its published sales literature, and HSV does not accept any liability for such unauthorised action. HSV has authorised Dealers in many parts of Australia for the sale of service parts and the provision of service to owners of HSV's products. Every endeavour is made to ensure that such Dealers carry adequate stocks of service parts but neither HSV, nor GM Holden Ltd, make any promise other than that contained in the New Vehicle Warranty given by GM Holden Ltd. and HSV, that such parts or service facilities will be available at any specific location, or at any particular time. Express warranties offered for GM Holden Ltd and HSV products are subject to the conditions set out in all vehicle handbooks. Details are also available from GM Holden Ltd. and HSV on request. Copyright Premoso Pty. Ltd. (HSV) A.B.N. 84 006 802 053. Colours are for illustration purposes only. Printed January 2018. Part Number HSV0158

**WALKINSHAW PARK**  
**71 WHITESIDE ROAD**  
**CLAYTON SOUTH**  
**VICTORIA 3169**

