

BMW X3



X3 2.5i
X3 3.0i

**The Ultimate
Driving Experience™**



For those who love the city.
And those who love to leave it all behind.



xDrive: the first four-wheel drive
with built-in driving pleasure.



We have a weakness for **power.**





Don't lose yourself in the details. **Our designers** have taken care of them for you.



Equipment



■ **Xenon headlights for low and high beam**, including dynamic headlight range control for much better illumination of the road ahead in bad weather or poor visibility. These headlights also feature auto-levelling to adjust for varying passenger and cargo loads.



□ **Headlight washer system** provides automatic cleaning in parallel with the windshield wipers when the headlights are on, thereby enhancing the headlight illumination of the road ahead in all weather conditions.



■ **Foglights** in halogen free-form technology are integrated into the front air dam, and ensure additional visibility and safety in bad weather or poor visibility.



□ **Running boards** made of brushed aluminum give the X3 a sporty touch and also make entry to the vehicle more comfortable.



□ **Panorama sunroof** allows natural light to enter the cabin. For comfort and convenience, it comes with a speed-dependent wind deflector, electric slide and lift control via tip keys, and electric sunshade, as well as trap release and comfort open/close functionality.



■ **Double Spoke alloy wheels** (with all-season tires) - Style 112, 17 x 8.0, 235/55R-17. (Available on the X3 3.0i only.)



□ **Star Spoke alloy wheels** (with all-season tires) - Style 113, 18 x 8.0, 235/50R-18. (Available on the X3 3.0i only.)



□ **Y-Spoke alloy wheels** (with performance tires) - Style 114, 18 x 8.0 front, 235/50R-18; 18 X 9 rear, 255/45R-18. (Available on the X3 3.0i only.)



■ **Automatic Climate Control** system includes Automatic Air Recirculation (AAR), which is activated when a sensor detects certain pollutants in the outside air. Inside, cabin air continuously passes through a microfilter that removes pollen, dust and spores. (Optional on the X3 2.5i.)

Equipment



□ **Multi-function leather sport steering wheel** offers highly convenient operation, increased safety and an ergonomic design that makes it fit especially well into the driver's hands.



□ **On-board Navigation System** guides you conveniently and directly to your destination. In addition to providing driving instructions via voice, directional arrows or map display, the system will provide destination-specific information. Includes Canada/USA Navigation DVD.



■ **BMW Business CD** offers AM/FM radio with easy-to-use preset buttons. Listen to your favourite radio stations or insert a CD into the single CD player, which includes an MP3 function.



□ **HiFi Sound System**, with digital 10-channel sound processor, 500-watt amplifier, seven-band equalizer, eight speakers and two subwoofers, provides an excellent sound.

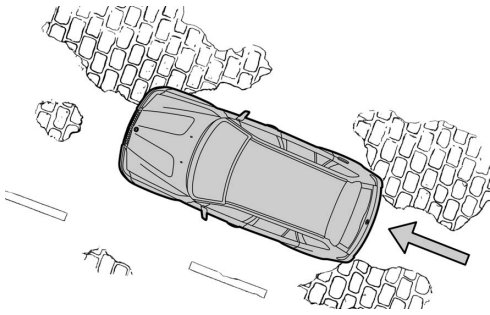


□ **CD Changer**, integrated under the armrest. Includes storage compartment for three CDs. The CD Changer can hold up to six CDs.

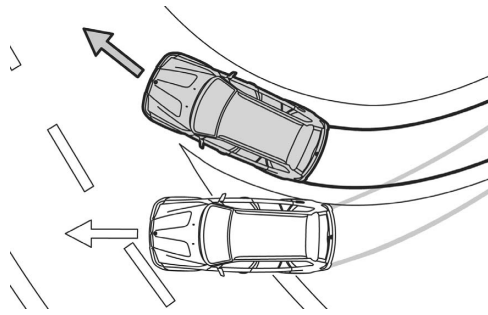


□ **Telephone and BMW Assist preparation**, enhances driving safety even further with Bluetooth technology; including one year of BMW Assist Safety and Security Services at no extra charge. With the BMW Assist Safety and Security Package you get access to Emergency Roadside Assistance service. Please see your local BMW Retailer for further details.

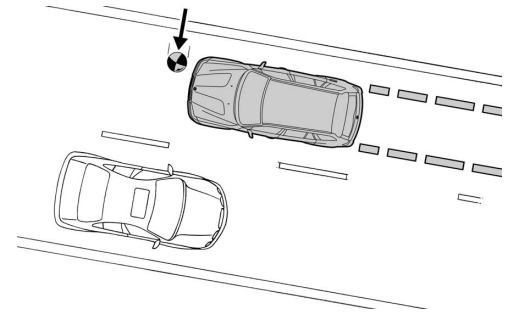
Equipment | Safety



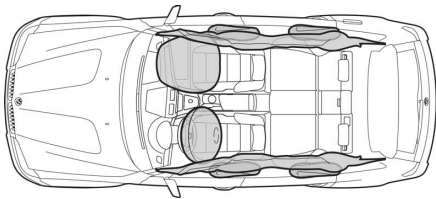
■ **Automatic Differential Brake (ADB-X)** provides the same function as differential locks by intervening on demand on individual wheels. A wheel about to spin is automatically slowed down by ADB-X until it regains its grip and conveys drive forces. With DSC activated, ADB-X is supplemented by engine output control; without DSC, the function is set to maximum drive and traction.



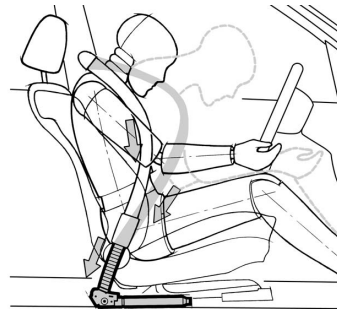
■ **Dynamic Stability Control (DSC)**, comprising ADB-X, CBC, DBC and HDC. DSC detects the risk of swerving right from the start, and stabilizes the car within fractions of a second. The DSC suspension control system ensures greater driving stability, above all in bends.



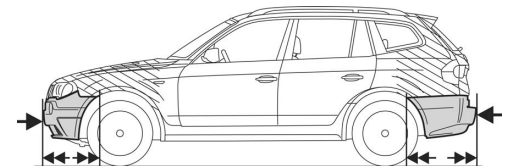
■ **Dynamic Braking Control (DBC)** provides brake assistance, building up maximum brake pressure in an emergency even if the driver fails to properly press down the brake pedal, significantly shortening the BMW's stopping distance in the process.



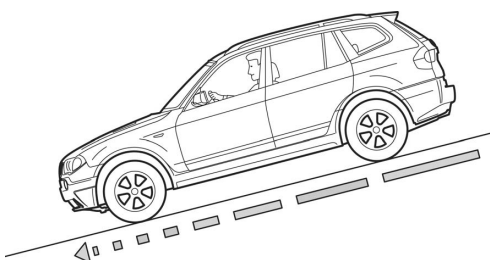
■ **Airbags** and all other safety components are perfectly coordinated in a BMW so that in a collision only the airbag actually required is activated. Such activation varies according to the severity of an impact. Up to eight airbags offer superior safety on demand: driver and front passenger airbags and head airbags in the front and rear, as well as side airbags in the front and, as an option, in the rear.



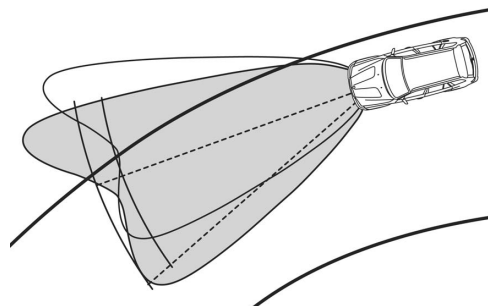
■ **BMW restraint system** for the driver and front passenger consists of a combination of the three-point seat belt, belt latch tensioner, belt force governor and anti-submarining ramp in the seat, for optimum restraint in a collision.



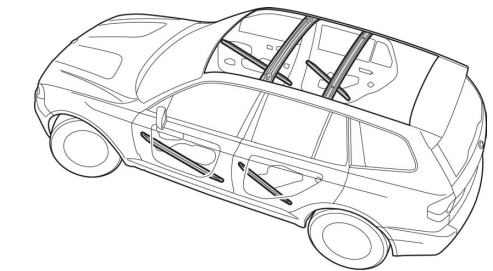
■ **Bumpers** with regenerating aluminum impact absorbers in the front and steel impact absorbers at the rear take impacts without damage at speeds of up to 4 km/h. Special deformation zones in the front and rear absorb forces up to 15 km/h without any damage to the body.



■ **Hill Descent Control (HDC)** enables your BMW to take even the steepest downhill gradients safely and reliably, automatically reducing the velocity of the car to walking speed without the driver's having to brake. As an option, HDC can also be controlled via buttons in the multi-function steering wheel.



□ **Adaptive headlights** electromechanically operate the xenon headlights so that they swivel from side to side and thus optimally illuminate a curve the second the driver steers into it, for increased safety when driving at night or when visibility is poor. Sensors register current curve angle, yaw rate and vehicle speed. The headlights then automatically adapt to the determined curve conditions.



■ **Door reinforcements** ensure maximum protection in a side-on collision. This safety is provided by diagonal reinforcement profiles in the door, ensuring supreme door stiffness.

Standard Equipment | Optional Equipment

Safety	2.5i	3.0i
Adaptive Headlights	□	□
Airbags:		
– Driver and front passenger Impact-Dependent (ID) airbag system, seat occupancy detector for front passenger airbag	■	■
– Head Protection System (HPS) for front and rear	■	■
– Side airbags for driver and front passenger	■	■
Alarm system with remote control	□	□
Anti-lock Braking System (ABS)	■	■
Automatic Differential Brake (ADB-X)	■	■
Automatic headlights	■	■
Battery Safety Terminal (BST)	■	■
Brakes:		
– Disc brakes at the front, inner-vented	■	■
– Disc brakes at the rear, outer-vented	■	■
– Third brake light integrated into roof spoiler	■	■
Central locking with electronic immobilizer, crash sensor; fuel tank filler cap integrated in central locking	■	■
Centre lock switch	■	■
Child seat fastening ISOFIX	■	■
Cornering Brake Control (CBC)	■	■
Dynamic Brake Control (DBC)	■	■
Dynamic Stability Control (DSC)	■	■
Emergency trunk lock release	■	■
Foglights	■	■
Headlight cleaning system	□	□
Hill Descent Control (HDC)	■	■
Park Distance Control (PDC), front and rear	□	□
Rain sensor	■	■
Seatbelts:		
– Ergonomic belt system at the rear with three-point belts on all seats	■	■
– Inertia-reel seat belts at the front with pyrotechnical belt latch tensioner and belt force governor	■	■
Safety bodyshell:		
– Bumpers with aluminum impact absorbers in the front and steel impact absorbers in the rear, fully regenerating from impacts of up to 4 km/h; deformation units at the front and rear absorbing impacts up to 15 km/h	■	■
– Integrated side impact protection in the doors	■	■
Trailer Stability Control , in conjunction with trailer towbar	■	■
Vehicle/Key Memory	■	■
Xenon headlights for low and high beam, including dynamic headlight range control	□	■

Standard Equipment | Optional Equipment

Engine	2.5i	3.0i
2.5-litre, 184 hp, 24-valve in-line 6-cylinder engine	■	–
3.0-litre, 225 hp, 24-valve in-line 6-cylinder engine	–	■
Cylinder-specific knock control	■	■
Digital Motor Electronics (DME)	■	■
“Drive-by-wire” throttle system, fully electronic	■	■
Double-VANOS steplessly variable valve timing	■	■
Exhaust tailpipes in stainless steel	■	■
Light-alloy engine block and cylinder head	■	■
On-board diagnosis	■	■
Three-way catalytic converter, heated oxygen sensor, activated carbon filter, fully controlled tank purge	■	■
Transmission/Suspension		
5-speed STEPTRONIC, 3 mode (automatic/sport automatic/clutchless manual) transmission with Adaptive Transmission Control (ATC)	□	□
6-speed manual transmission	■	■
Anti-roll stabilizer bars front and rear	■	■
Central-arm rear axle	■	■
Double-joint spring strut front axle	■	■
Electronic Brake-force Distribution (EBD)	■	■
Power steering	■	■
Sport suspension	□	□
xDrive, all-wheel drive system with variable torque distribution	■	■
Interior Features		
12V socket in rear of centre console and luggage compartment	■	■
Air conditioning, manual with microfilter	■	–
Armrest in the front	■	■
Automatic Climate Control and air recirculation, incl. microfilter and solar sensor	–	■
Auto-dimming interior rearview mirror	□	□
BMW Ambiance Lighting	■	■
Centre armrest in the front with storage and the rear with two cupholders, storage compartment and integrated head rest	■	■
Courtesy lights, front centre	■	■
Courtesy lights with automatic function and soft on/off dimming	■	■
Cupholders, front and rear	■	■
Digital clock	■	■
Follow-Me-Home function	■	■
Footwell lights, front	□	■
Heat-insulating glass, green, windshield and side windows	■	■
Illumination of centre console	■	■

Standard Equipment | Optional Equipment

Interior Features	2.5i	3.0i
Interior Trim:		
– Aluminum	□	■
– Dark Maple Wood	□	□
– Light Birch Wood	□	□
– Titanium	■	–
“LIGHTS ON” warning	■	■
Load area cover	■	■
Locking illuminated glovebox , with rechargeable takeout flashlight	■	■
Luggage compartment lights in the tailgate and sides	■	■
Luggage compartment partition net (incl. load area cover)	□	□
Luggage compartment with full textile lining	■	■
On-board computer (with Check Control)	■	■
Panorama sunroof , electric	□	□
Power front and rear windows ; anti-trap with “one touch” feature up/down operation	■	■
Radio/Audio:		
– BMW Business CD/Radio incl. MP3 function	■	■
– HiFi Sound System, 8-speaker, incl. 2 subwoofers	■	■
– HiFi Sound System with Digital Sound Processing (DSP)	□	□
– CD Changer, pre-wiring	■	■
– CD Changer, 6-disc, in centre console	□	□
Reading lights , front and rear	□	■
Remote control for central locking	■	■
Seats/Seat Comfort:		
– Standard seats with manual seat adjustments	■	■
– 8-way power adjustable seats with driver memory	□	■
– Seat heating for driver and passenger	■	■
– Split-folding rear seat bench	■	■
Ski bag	□	□
Steering wheels:		
– 3 - Spoke multi-function leather sport steering wheel, includes gear lever knob and handbrake lever handle in leather	□	□
– 4 - Spoke multi-function leather steering wheel	■	■
– Steering column adjustment, manual	■	■
– Steering wheel, heated	□	□
Storage compartment in centre armrest in the rear	■	■

Standard Equipment | Optional Equipment

Interior Features	2.5i	3.0i
Storage compartments:		
– Centre armrest in the front	■	■
– Centre console as well as in all doors	■	■
– Storage nets in left side of luggage compartment	□	■
Storage compartment package , incl. nets on the back of the front seats and tunnel console, as well as on the left side of the luggage compartment; reversible mat in luggage compartment; parcel rails with four fastening eyelets on luggage compartment floor	□	■
Telephones:		
– Telephone prewiring	□	□
– Telephone and BMW Assist Preparation featuring Bluetooth technology, including one year of BMW Assist Safety and Security Package*	□	□
Upholstery:		
– Ambiance Leather	□	□
– Leatherette/Sensatec	■	■
Vanity mirrors for driver and front passenger	■	–
Vanity mirrors for driver and front passenger, including illumination	□	■

*Please see your BMW Retailer for complete details.

■ Standard □ Optional – Not available

Standard Equipment | Optional Equipment

Exterior Features	2.5i	3.0i
Aluminum running boards	<input type="checkbox"/>	<input type="checkbox"/>
Direction indicator lights, white	<input checked="" type="checkbox"/>	<input checked="" type="checkbox"/>
Door handles in body colour	<input checked="" type="checkbox"/>	<input checked="" type="checkbox"/>
Metallic paint	<input type="checkbox"/>	<input type="checkbox"/>
Ornamental chrome grille, with black kidney slats	<input checked="" type="checkbox"/>	-
Ornamental chrome grille, with chrome kidney slats	-	<input checked="" type="checkbox"/>
Privacy Glass	<input type="checkbox"/>	<input checked="" type="checkbox"/>
Rearview mirrors in body colour, electrically adjustable, aspheric design, heated	<input checked="" type="checkbox"/>	<input checked="" type="checkbox"/>
Rear window wiper	<input checked="" type="checkbox"/>	<input checked="" type="checkbox"/>
Roof rails	<input checked="" type="checkbox"/>	<input checked="" type="checkbox"/>
Roof spoiler in body colour	<input checked="" type="checkbox"/>	<input checked="" type="checkbox"/>
Side window sill, trim in black	<input checked="" type="checkbox"/>	-
Side window sill, trim in chrome	-	<input checked="" type="checkbox"/>
Tailgate with low loading sill	<input checked="" type="checkbox"/>	<input checked="" type="checkbox"/>
Wheels:		
- Double Spoke alloy wheels (with all-season tires) - Style 148, 17 x 8.0, 235/55R-17	<input checked="" type="checkbox"/>	-
- Double Spoke alloy wheels (with all-season tires) - Style 112, 17 x 8, 235/55R-17	-	<input checked="" type="checkbox"/>
- Star Spoke alloy wheels (with all-season tires) - Style 143, 18 x 8, 235/50R-18	<input type="checkbox"/>	-
- Star Spoke alloy wheels (with all season tires) - Style 113, 18 x 8, 235/50R-18	-	<input type="checkbox"/>
- Y Spoke alloy wheels (with performance tires) - Style 114, 18 x 8 front, 235/50R-18; 18 x 9 rear, 255/45R-18	-	<input type="checkbox"/>
Windshield with green stripe	<input checked="" type="checkbox"/>	<input checked="" type="checkbox"/>
Activity Packages		
Aluminum running boards; Headlight cleaning system; Luggage compartment net; Privacy glass; Ski bag; Storage compartment package	<input type="checkbox"/>	-
Adaptive Headlights; Aluminum running boards; Headlight cleaning system; Luggage compartment net; Power-folding mirrors; Ski bag	-	<input type="checkbox"/>
Navigation Package		
On-board Navigation System; Canada/US Navigation DVD	<input type="checkbox"/>	<input type="checkbox"/>
Premium Packages		
Auto-dimming interior mirror; Panorama sunroof; Xenon headlights	<input type="checkbox"/>	-
Ambiance Leather; Auto-dimming interior mirror; HiFi sound system with DSP; Panorama sunroof	-	<input type="checkbox"/>
Sport Packages		
18" Star Spoke alloy wheels, Style 143; High-gloss Shadow Line; Leather sport steering wheel; Sport suspension	<input type="checkbox"/>	-
18" Star Spoke alloy wheels, Style 113; High-gloss Shadow Line; Leather sport steering wheel; Sport suspension	-	<input type="checkbox"/>
18" Y Spoke alloy wheels, Style 114	-	<input type="checkbox"/>

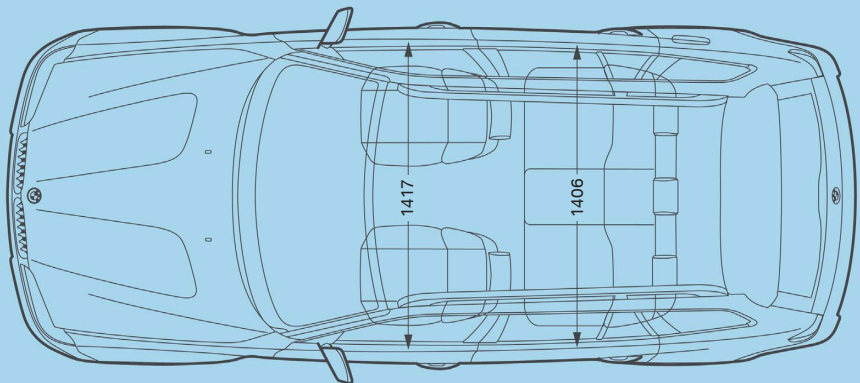
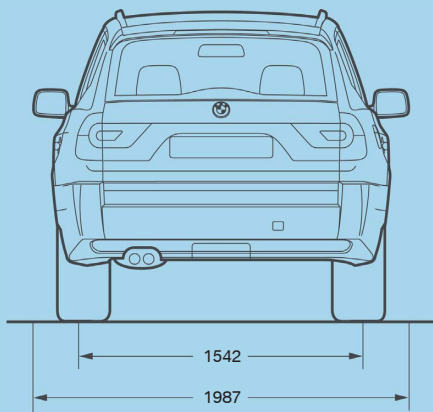
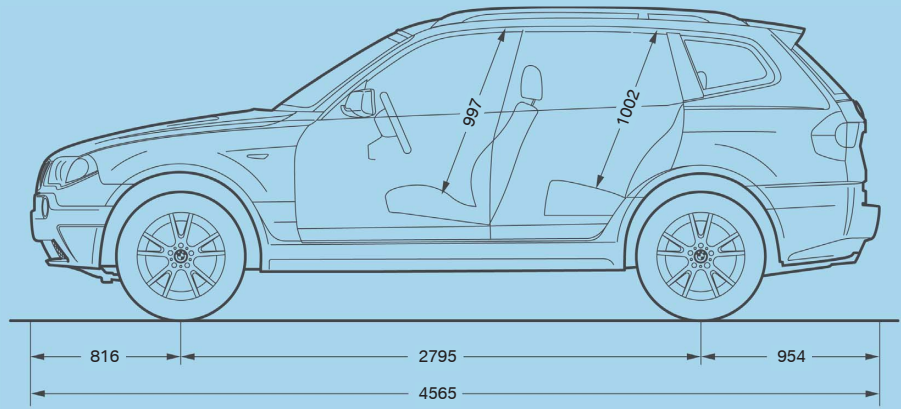
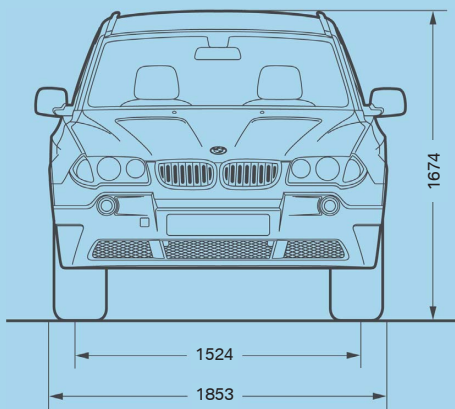
Specification | Technical Features*

Weight¹		2.5i	3.0i
Unladen	kg	1815 [1835]	1825 [1845]
Max. permissible	kg	2265 [2290]	2290 [2315]
Permitted load	kg	450 [455]	465 [470]
Permitted axle load, front/rear	kg	1100/1250	1100/1260
Permitted roof load	kg	75	75
Permitted trailer load, unbraked ²	kg	720	720
Permitted trailer load, braked	kg	1700	1700
Engine			
Cylinders/Valves		6/24	6/24
Capacity	cc	2494	2979
Bore/Stroke	mm	84.0 x 75.0	84.0 x 89.6
Max. output	hp/rpm	184/6000	225/5900
Max. torque	lb-ft	175/3500	214/3500
Compression ratio	:1	10.5	10.2
Transmission			
Standard transmission ratio	I/II :1	4.35/2.50 [3.42/2.22]	4.35/2.50 [3.42/2.22]
	III/IV :1	1.66/1.23 [1.60/1.0]	1.66/1.23 [1.60/1.00]
	V/VI/R :1	1.0/0.85/3.93 [0.75/-/3.03]	1.0/0.85/3.93 [0.75/-/3.03]
Final drive ratio	:1	3.91 [3.91]	3.64 [3.64]
Performance			
Top speed ³	km/h	208	210
Acceleration 0–100 km/h	sec	9.0 [9.8]	8.0 [8.3]
Fuel Consumption⁴			
City	L/100 km	13.6 [14.1]	13.8 [14.8]
Highway	L/100 km	8.9 [9.2]	8.8 [9.3]
Combined	L/100 km	11.5 [11.9]	11.6 [12.3]
Tank capacity, approx.	L	67	67

*Based on data available at time of printing.

Specification | Technical Features

Wheels		2.5i	3.0i
Tire dimensions		235/55 R-17	235/55 R-17
Wheel dimensions		17 x 8.0	17 x 8.0
Material		Light Alloy	Light Alloy
Electrical System			
Battery capacity	Ah	70	70
Alternator output	A/W	150/2100	150/2100



All dimensions in the technical drawings are given in millimetres. Luggage capacity from 480 to 1560 L (VDA-measurement).

Figures in [] refer to vehicles with automatic transmission.

- Figures are based on a 90% tank filling, driver's weight of 68 kg and 7 kg of luggage. Curb weight applies to vehicles with standard equipment. Optional extras may increase these figures.
- The overall weight of the trailer may not exceed the maximum permissible trailer load plus the maximum permissible towbar download.
- Limited electronically.
- NR Can-estimated figures are for comparison purposes only. Your actual mileage will vary, depending on speed, driving habits, trip length and driving conditions; actual mileage will most likely be lower.

Exclusive Canadian importer and distributor – BMW Canada Inc., Whitby, Ontario L1N 6K9. All specifications, standard features, accessories, equipment, options, fabrics and colours are based on product information available at the time of printing. BMW reserves the right to revise specifications at any time, without notice. Illustrations are representative only. BMW may determine the Model Year designation of its vehicles. Models may be shown with features, accessories, equipment, options, fabrics and/or colours not available in Canada, or available only at extra cost, or available only on particular models. While BMW takes care to ensure that the information contained in this brochure is accurate, it cannot guarantee complete accuracy. BMW is not responsible for errors or omissions contained in this brochure. Further information about the products shown in this brochure can be obtained from your authorized BMW Retailer and at www.BMW.ca.

Printed 08/2004.

©2004 BMW Group, Munich, Germany. Not to be reproduced wholly or in part without written permission of BMW Group, Germany. "BMW", the BMW logo, the BMW Driver Training logo, "The Ultimate Driving Experience" and all model designations are registered trademarks of the BMW Group, used under licence by BMW Canada Inc.