

**Honda** ▶ Pilot 2005



# Why Pilot?

You've been paying attention. You've shopped around. So you may have noticed that Honda goes about things in a different way – a uniquely **uncompromising** way. When we introduced the Pilot, for instance, we changed what people thought about, and expected from, an SUV. Sure, it's got a rugged 4WD system, a 5-speed automatic, seating for up to eight and, now for 2005, **255 horses**. But we didn't stop at do-it-all capability. We added advanced safety engineering, efficiency and **great handling**, too. Because we don't think you should have to give those up. Call it unique. Or exceptional. Or simply the way Honda goes about building an SUV.

good looks page 3

confidence page 4

strength page 5

volume page 6

personality page 15

security page 10

choices page 14

It's a Honda. page 12

## good looks ▶ exterior styling

One look at the Pilot and right away you get the idea it was built to please a **tough** crowd. Its muscular flanks and wide stance give it a commanding presence that echoes big capabilities, both on- and off-road. Pilot gives you beefy tires and roof rails, and for those seeking to heighten their outdoor experience, all EX-L models come with a power moonroof. Let your gaze linger, and see how the clean lines of the Pilot also hint at its quiet and **comfortable** nature at highway speeds. It's a shape that's more **classic** than trendy and that delivers as much in the way of function as form. After all, every Honda is built to last – and rugged good looks never go out of style.

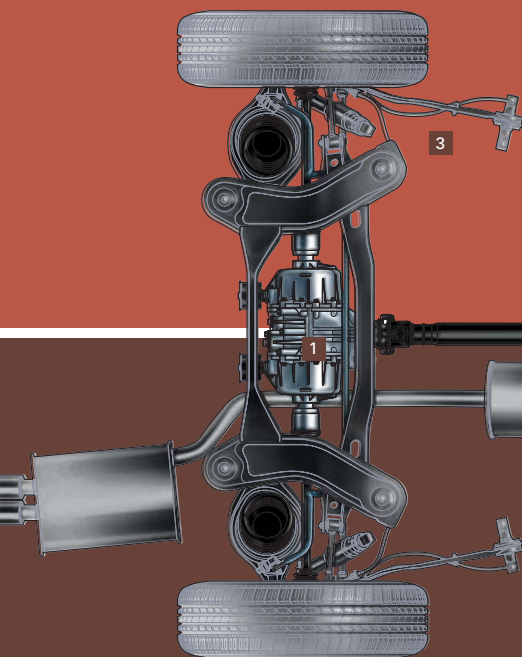


## confidence ▶ handling/traction

### [1] Rear Differential Unit

The heart of the rear differential unit is a system of two electromagnetic clutches that are electronically controlled by the VTM-4™ ECU. When these clutches are not activated, the rear wheels behave as they do in a front-drive vehicle, providing more fuel economy. But when the clutches are energized and engaged by the ECU, up to 55% of the engine's power is diverted to the rear wheels so they can work with the front wheels to provide 4-wheel drive. The ECU seamlessly engages the system to help provide optimum traction at all times, whether driving on pavement, snow or dirt.

We believe even an SUV should be a joy to drive. The **rigid body structure** of the Pilot and its front strut and multi-link rear suspension provide excellent road feel, responding precisely to driver input. The ride is smooth and compliant as well, even if the going gets rough. And the **Variable Torque Management (VTM-4™)** system is always ready, automatically sending power to the rear wheels for extra traction and control on dirt, snow, or rain-slicked roads. Add **4-wheel disc brakes** and beefy P235/70 R16 tires, and the Pilot is ready to roll.



### [2] Centre Propeller Shaft

The front differential powers the front wheels, and also powers the rear differential through the centre propeller shaft, which has a special damper to reduce vibration. While this shaft will constantly transmit power to the back, the rear differential does not send it on to the rear wheels until signaled to do so by the VTM-4 ECU.

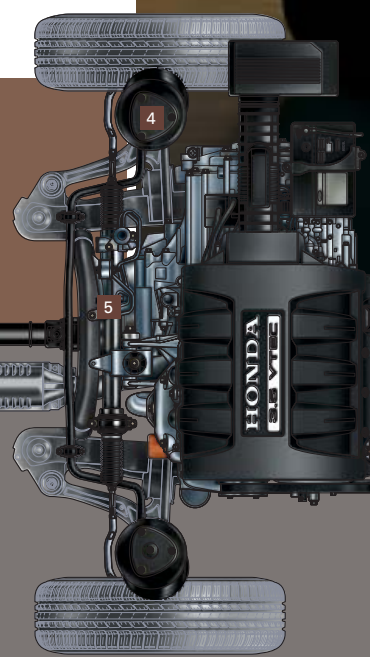
### [4] 4-Wheel-Drive System Sensors

A sensor array monitors each wheel, and provides a constant stream of information on road and vehicle conditions to the vehicle's ABS and the ECUs in the engine. Based on this information, the VTM-4 ECU sends engine power to the rear wheels until wheel slip is eliminated.

### [3] VTM-4 ECU

The VTM-4 Electronic Control Unit (ECU) keeps track of the traction. It processes signals sent from the wheel and engine sensors to determine if front wheel slippage is impending. If it detects possible slippage, the ECU calculates how much power to send to the rear wheels to maintain traction and immediately signals the rear differential. Without any input from the driver, the system automatically delivers 4-wheel drive when it's needed. When normal traction levels return, 4-wheel drive is automatically disengaged, so you use less fuel.

\*Towing requires installation of a power steering and transmission fluid cooler, both available exclusively from your Honda Dealer. Maximum towing capacity is 2,045 kgs for boat trailers and 1,591 kgs for all other trailers. Premium unleaded fuel is recommended when towing above 1,591 kgs. Refer to the Owner's Manual for additional towing information.



### [5] Front Differential

Under normal driving conditions, engine power is channeled through the transmission directly to the front wheels. This gives you the fuel economy and the space efficiency of a front-drive vehicle.

**Lock in the traction.** The VTM-4™ system operates automatically. But when you need to start off in extreme low-traction conditions such as when stopped in mud, on ice or in loose gravel, the thoughtful VTM-4 Lock™ feature lets you manually lock the rear differential to help get you moving. And it can stay manually locked up to 29 km/h.



Pilot EX-L shown in Steel Blue Metallic with accessory crossbars and towing package.

**Engine > 3.5-litre, 255-hp aluminum alloy V6**

**Transmission > 5-speed automatic**



## strength ▶ engine/transmission

We're not called Honda Motor Company for nothing. Like every Honda, the Pilot has at its heart a powerplant that's engineered for a blend of both power and efficiency. The 3.5-litre aluminum alloy V6 now cranks out **255-hp** and 250 lb.-ft. of torque for quick acceleration, authoritative highway cruising, and the ability to haul big loads – up to 2,045 kgs\*. New for 2005 is drive-by-wire technology for smooth, precise throttle control. The sophisticated engine also features **VTEC™** (Variable valve Timing and lift Electronic Control) technology, Programmed Fuel Injection and a direct ignition system. And harnessing all that power is a **5-speed automatic** transmission with Grade Logic Control that holds the best gear when traversing hilly terrain.



U.S. model shown.

## volume ▶ interior

Ever wonder why so many of those hulking SUVs out there feel so cramped when you actually get inside them? We sure do. That's why stepping inside a Pilot is such a **refreshingly expansive experience**. With seating for up to eight, it's hard to run out of room.

Finally, you can haul the whole team, or even take a family vacation with your extended family. And with **theater-style seating** everyone gets a great view. The Pilot is a quick-change

artist, too. Its 60/40 split rear seats fold flat in a flash, making room for whatever the day's to-do list demands. Slide in the sports gear, the unexpected garage-sale bookcase, or even a 4'x 6' sheet of plywood for a weekend project. And all this utility never compromises the **driver-centred** sporty feel, which features little extras like an 8-way power driver's seat on all EX models and heated front seats on EX-L models.



Pilot EX-L interior shown in Grey Leather.



**Get the show on the road.** The EX-L RES model has a factory-integrated DVD Rear Entertainment System that keeps rear passengers smiling as they enjoy a favourite movie, their own particular music selection or even a video game. The rear controls and handy audio/video inputs make it easy to enjoy just about any portable source you can think to bring along. The system is flexible, fun and technologically sophisticated. So it's good for the youngsters, or just the young at heart.

### The fun's in the back.

Not only do rear passengers get an available DVD Rear Entertainment System, they can also adjust the airflow and temperature settings with the rear air-conditioning controls. And a rear 12-volt outlet powers anything from laptops to cell phones and MP3 players, so the fun never has to end.



Image courtesy of Universal Studios.



### We all love to be entertained.

We're hard-wired to soak up a wide array of pleasing sights and melodic sounds. So the Pilot is equipped to handle it all. The LX model comes with a 120-watt AM/FM/CD audio system with four speakers. While EX models up the ante with a 155-watt, 7-speaker system featuring an in-dash 6-disc CD changer. With the Honda DVD Rear Entertainment System on EX-L RES model, rear passengers can also choose their own audio or video source, and listen at their own volume through wireless headphones. We've even included a remote control. It's an entertainment system versatile enough to keep everyone pleased, as well as keep the peace.

### Nine beverage holders



#### A place for everything.

The Pilot offers a multitude of storage solutions. Every door has a storage pocket. Beverage holders abound. The front armrest flips up to reveal a huge centre console that holds 13 CD cases and hides a 12-volt power outlet and phone cradle. And on all EX models for second-row passengers, there's a fold-down utility tray with storage compartment and two cup holders.

### Honda DVD Rear Entertainment System



### Plenty of storage options



### 2,557 litres of cargo space

**Locked and loaded.** A covered storage well keeps smaller items hidden and stowed, and offers another handy 12-volt outlet. Fold down the second- and third-row seats, and the Pilot swallows an impressive 2,557 litres of cargo\*

\*Before carrying any cargo be sure to consult the Owner's Manual for load limits and loading guidelines.

**More music to your ears.** All EX models now feature an in-dash 6-disc CD changer. So you can listen to hour after hour of music without having to swap discs. It's just the thing for big trips or the daily drive.





Pilot EX-L shown in Billet Silver Metallic.

# security ▶ safety

Honda believes in **safety for everyone**. In the Pilot, that philosophy means advanced features like a standard Anti-lock Braking System (ABS), and dual-stage, dual-threshold airbags on all models. We've been researching and implementing more and more sophisticated safety technologies for all our vehicles, and we do our homework in some of the world's most advanced research and development facilities. And according to independent testing

agencies, our efforts are getting results. For example, the National Highway Traffic Safety Administration (NHTSA) has given the Pilot a **5-star** crash rating in its frontal- and side-impact tests. In fact, Honda has become the most prominent name among vehicles delivering the NHTSA's top rating. No fewer than eight Honda models have received 5-star ratings for frontal impact crash testing. That's more models than any other brand.

## 1 Crash courses

Honda's crash testing in real-world scenarios and the analyses of crash forces are a vital part of our understanding of how to build safer vehicles.

## 2 How science softens the blow

A key to crash protection is the design of front and rear crush zones that cushion the force of an impact. These "sacrificial" structural areas deform in a controlled manner, helping to absorb and dissipate the impact energy before it reaches the rigid safety cell of the passenger cabin.

## 3 Safer stops

The Pilot's Anti-lock Braking System (ABS) has four channels that detect and prevent the impending loss of traction under hard braking by pulsing brake-line pressure at each of the four wheels, helping the driver retain directional control.

## 4 Airbag technology

Dual-stage, dual-threshold front airbags deploy at one of two rates and thresholds, according to impact severity and seatbelt use. Front side airbags are standard as well.

Honda reminds you and your passengers to always buckle up.

## 5 A rigid stance on protection

The rigid passenger compartment of the Pilot is reinforced both laterally and longitudinally to retain its size and shape in multiple crash directions, and to resist the penetration of crash forces. And a special bracket attached to the frame is designed to help provide improved compatibility with other vehicles in frontal collisions.

## 6 Keeping you in control

For 2005, Pilot EX-L models now feature Honda's Vehicle Stability Assist (VSA) system. The system works with the VTM-4™, ABS and its electronic throttle control systems to detect skidding, as well as over- and under-steering, and then brake each individual wheel and/or reduce engine power to help restore the intended path of travel. The system is automatic and seamless, and can respond before the driver may even know there's a problem.

## 7 Protect precious cargo

All Pilot models come equipped with the Lower Anchors and Tethers for Children (LATCH) system. This system makes it easier to install compatible child seats in the second row.



Front airbags inflate and deflate in a fraction of a second.

Crash test conducted by Honda.





# It's a Honda ▶ a success story

Soichiro Honda founded the Honda Motor Company in 1948 to provide people with affordable, dependable transportation. Within a few short years, Honda was one of the world's pre-eminent motorcycle manufacturers. At Honda, we believe that the first step in making a good product is to listen to people and understand their needs. This core value is reflected in everything we do. From designing and building our products in the markets where they're used, to the importance we place on safety engineering and on being friendlier to the environment. In short, it's our belief that the power of ingenious thinking can make great things possible.

### What makes a Honda a Honda? ▶

That's easy. The answer is right here in this country, where more than 4,300 world-class associates and over 60 Canadian suppliers contribute to the making of our extraordinary vehicles. Today, we produce 390,000 vehicles per year and, since 1986, when we began manufacturing in Canada, we have produced more than 2.5 million vehicles and invested more than \$1.8 billion in the Canadian economy.



### ◀ Imagination unbound.

Honda innovation is reestablishing the boundaries in aerospace technology with the HondaJet – a highly fuel-efficient, low-emission experimental aircraft with exceptional cabin space. And Honda's ASIMO is the world's most advanced and capable humanoid robot.



### ◀ Making safety for everyone.

Honda takes safety engineering to new levels with testing facilities unique to the planet. At the recently opened Honda R&D Automotive Safety Research Facility in Ohio, the world's most advanced high-resolution crash barrier helps provide unprecedented knowledge of real-world safety performance. And in Tochigi, Japan, Honda R&D engineers can crash test vehicles at a variety of speeds and impact angles in the world's first indoor all-directional crash test facility, shown here.

### ▼ We have a clear edge.

Since our pioneering CVCC engines of the '70s, Honda has led the way in earth-friendlier cars. Today, every Honda meets the requirements of the stringent Tier 2 emissions standard. Only Honda offers three hybrid vehicles.

And now, our advanced zero-emission FCX fuel-cell car is the first certified for commercial use in the U.S.



**"A company is most clearly defined neither by its people nor by its history, but by its products. Our products will speak the truth about Honda."**

Soichiro Honda, Founder, Honda Motor Co., Ltd.



### ◀ Winning is good. Learning is better.

Honda began racing motorcycles in the 1950s and cars in the '60s. Over the years, our trophy case has become quite crowded. And all of our vehicles certainly reflect the advancements of our hard-won technology. But we believe the greatest benefit of racing is how it prepares our engineers to think creatively under pressure. So they're always ready for the next big challenge.







## choices ▶ trim levels



Performance, versatility and legendary Honda reliability— these qualities make Pilot a perennial powerhouse in winning people over. In fact, it's won the large sport-utility category in the Car and Driver "5Best Trucks" competition in '02, '03 and yet again in '04.

### PILOT LX ▼

- 16-inch aluminum alloy wheels
- 255-hp, 3.5-litre VTEC™ V6 engine
- 4-wheel disc brakes with ABS and EBD
- 4-wheel independent suspension
- 5-speed automatic transmission
- 60/40 split flat-folding 2nd- and 3rd-row bench seats
- AM/FM/CD audio system with 4 speakers
- Dual-stage front airbags
- Front and rear air conditioning
- Front side airbags
- Remote keyless entry
- Roof Rails
- Seating for up to 8
- Variable Torque Management™ 4-wheel-drive system (VTM-4™)

### PILOT EX ▼

- Adds to or replaces LX features:
- AM/FM/in-dash 6-disc CD changer/ cassette audio system with 7 speakers including subwoofer
  - Body-coloured side protectors and mirrors
  - Driver's seat with 8-way power adjustment
  - Front and rear automatic climate control system
  - HomeLink® garage door opener
  - Second-row fold-down activity tray

### PILOT EX-L ▼

- Adds to or replaces EX features:
- Heated front seats and door mirrors
  - Leather-trimmed interior
  - Leather-wrapped steering wheel
  - Power Moonroof
  - Vehicle Stability Assist (VSA)

### PILOT EX-L RES ▼

- Adds to or replaces EX-L features:
- Honda DVD Rear Entertainment System

## personality ▶ colours and accessories

### exterior



### interior



Exterior / Interior Colours	LX	EX	EX-L	EX-L RES
Billet Silver Metallic / Grey	•	•	Leather	Leather
Nighthawk Black Pearl / Grey	•	•	Leather	Leather
Steel Blue Metallic / Grey	•	•	Leather	Leather
Redrock Pearl / Saddle	•	•	Leather	Leather
Desert Rock Metallic / Saddle	•	•	Leather	Leather
Slate Grey Pearl / Grey	•	•	Leather	Leather

### Get in. Stand out.

There are hundreds of Genuine Honda Accessory combinations to suit your personality, so go ahead – get in and stand out. Whether you add a Roof Bike Attachment or Running Boards, all Honda accessories are crafted with the same attention to detail as your Pilot. So for unparalleled quality, choose only Genuine Honda Accessories and take your adventures to a whole new level. See your Dealer for full details.

### Other available accessories:

- Bumper Garnish - Front/Rear
- Cargo Organizer
- Chrome Door Mirror Covers
- DVD Rear Entertainment System
- Half Nose Mask
- Hood Edge Protector
- Rear Splash Guards
- Side Step Bars
- Wood-Grain Interior Trim

# pilot ▶ specifications

ENGINE	LX	EX	EX-L	EX-L RES
Type: 3.5L SOHC 24-Valve VTEC™	•	•	•	•
Displacement (cc)	3471	3471	3471	3471
Horsepower @ rpm (SAE net)	255@5600	255@5600	255@5600	255@5600
Torque (lb.-ft @ rpm)	250@4500	250@4500	250@4500	250@4500
Drive-by-Wire Throttle	•	•	•	•
Compression Ratio	10.0:1	10.0:1	10.0:1	10.0:1
Valve Train	4-Valves/Cylinder	4-Valves/Cylinder	4-Valves/Cylinder	4-Valves/Cylinder
Fuel System: Sequential Multi-Port Programmed Fuel Injection	•	•	•	•
Ignition System: Electronic	•	•	•	•
DRIVE TRAIN				
Type: Variable Torque Management (VTM™) – 4-Wheel Drive System	•	•	•	•
Automatic Transmission: 5-Speed Automatic with Electronically-Controlled Lock-Up Torque Converter and Grade Logic Control	•	•	•	•
Towing Capacity (kg)†	2045	2045	2045	2045
† Based on towing a boat when combined with the required Accessory Towing Package. See your Owner's Manual for proper towing operation.				
BODY / SUSPENSION / CHASSIS				
Body Type: Unit Body	•	•	•	•
Front Suspension: Strut	•	•	•	•
Rear Suspension: Multi-Link with Trailing Arm	•	•	•	•
Steering Type: Variable Power-Assisted Rack-and-Pinion	•	•	•	•
Stabilizer Bars (mm, front/rear)	23 / 20	23 / 20	23 / 20	23 / 20
Brakes: Disc (Front Ventilated / Rear Solid)	•	•	•	•
Wheels	16" Alloy	16" Alloy	16" Alloy	16" Alloy
Tires: All-Season Radials	P235/70 R16	P235/70 R16	P235/70 R16	P235/70 R16
EXTERIOR / INTERIOR DIMENSIONS				
Wheelbase (mm)	2700	2700	2700	2700
Length (mm)	4775	4775	4775	4775
Width (mm)	1963	1963	1963	1963
Height (mm)	1793	1793	1793	1793
Track – Front/Rear (mm)	1685 / 1690	1685 / 1690	1685 / 1690	1685 / 1690
Curb Weight (kgs)	2002	2010	2010	2010
Front/Rear Dimensions - Headroom (mm) front / 2nd row / 3rd row	1065 / 1040 / 989	1065 / 1040 / 989	1003 / 988 / 989	1003 / 988 / 989
- Legroom (mm) front / 2nd row / 3rd row	1051 / 963 / 766	1051 / 963 / 766	1051 / 963 / 766	1051 / 963 / 766
- Hiproom (mm) front / 2nd row / 3rd row	1460 / 1438 / 1244	1460 / 1438 / 1244	1460 / 1438 / 1244	1460 / 1438 / 1244
Cargo Volume (L): 2nd and 3rd Row Folded Down	2557	2557	2557	2557
Cargo Volume (L): Behind 3rd Row	461	461	461	461
Passenger Volume (L)	5009	5009	5009	5009
Seating Capacity	8	8	8	8
Fuel Capacity (L)	77.2	77.2	77.2	77.2
Fuel Consumption,* City/HWY (L/100km) – A.T.	13.8 / 9.6	13.8 / 9.6	13.8 / 9.6	13.8 / 9.6
*See Dealer for latest 2005 EnerGuide published by NRCan when available.				
SAFETY				
3-Point Seatbelts in All Seating Positions	•	•	•	•
4-Wheel Anti-lock Braking System (ABS) 4-Channel with Electronic Brake Distribution (EBD)	•	•	•	•
8 km/h Impact Absorbing Bumpers	•	•	•	•
Child Proof Rear Door Locks	•	•	•	•
2nd Row LATCH (Lower Anchors & Tethers for Children) outboard seating positions only	•	•	•	•
3rd Row Child Seat Tether Anchors	•	•	•	•
Driver and Front Passenger Dual Stage, Dual Threshold Airbags (SRS)	•	•	•	•
Driver and Front Passenger Side Airbags (SRS) with Passenger Seat Occupant Position Detection System (OPDS)	•	•	•	•
Dual Side Impact Door Beams	•	•	•	•
ECU Immobilizer	•	•	•	•
Front Occupant Knee Bolster	•	•	•	•
Head Restraints - All Seating Positions	•	•	•	•
Security System	•	•	•	•
Tire Pressure Monitoring System	•	•	•	•
Vehicle Stability Assist (VSA)	•	•	•	•
EXTERIOR FEATURES				
Body-Coloured Side Protectors	Black	•	•	•
Body-Coloured Bumpers	•	•	•	•
Front Mud Guards	•	•	•	•
Front Variable Intermittent Wipers	•	•	•	•

EXTERIOR FEATURES	LX	EX	EX-L	EX-L RES
Folding Power Door Mirrors	Black, Heated	Body-Coloured, Heated	Body-Coloured, Heated	Body-Coloured, Heated
Front and Rear Bumper Skid Garnish	•	•	•	•
Headlight Auto-Off		•	•	•
Power Moonroof			•	•
Privacy Tinted Windows - Rear, Side and Back		•	•	•
Rear Bumper Step	•	•	•	•
Rear Window Defroster with Timer	•	•	•	•
Rear Intermittent Wiper with Washer	•	•	•	•
Roof Side Rails	•	•	•	•
Super Heat Absorbing and Rejecting Green Tinted Glass		•	•	•
Tailgate Spoiler Garnisher	Black	Body-Coloured	Body-Coloured	Body-Coloured
Trailer Hitch Pre-Wire	•	•	•	•
INTERIOR FEATURES				
3rd Row Storage Pockets	•	•	•	•
12-Volt Accessory Outlets: 4	•	•	•	•
Adjustable Steering Column	•	•	•	•
Air Conditioning Manual (CFC-Free) with Automatic Front Defrost Synchronization	•			
Air Conditioning Automatic (CFC-Free) with Automatic Front Defrost Synchronization		•	•	•
AM/FM/CD Stereo	•			
AM/FM Stereo with 6 CD Changer and Cassette Player		•	•	•
Antenna - Glass Integrated	•	•	•	•
Audio Anti-Theft		•	•	•
Beverage Holders, Front and Rear	7	9	9	9
Carpeted Floor Mats	•	•	•	•
Centre Console Armrest with Storage Leather-Covered	•	•	•	•
Centre Console Net Map Pockets	•	•	•	•
Cruise Control	•	•	•	•
Driver's Adjustable Lumbar Support		•	•	•
Driver's Seat Adjustment	Manual	8-Way Power	8-Way Power	8-Way Power
Dual Front Illuminated Vanity Mirrors	•	•	•	•
Front Console Map Lights	•	•	•	•
Heated Front Seats			•	•
HomeLink® Garage Door Opener		•	•	•
Honda DVD Rear Entertainment System				•
Illuminated Driver's Power Window Switches	•	•	•	•
Illuminated Glove Box	•	•	•	•
Illuminated Ignition Lock	•	•	•	•
Illuminated Vanity Mirrors	•	•	•	•
Interior Light Master Switch	•	•	•	•
Keyless Remote Entry	•	•	•	•
Leather-Trimmed Interior (1st, 2nd Row only)			•	•
Leather-Wrapped Steering Wheel			•	•
Micron Air-Filtration System	•	•	•	•
Outside Temperature Display		•	•	•
Overhead Sunglass Storage	•	•	•	•
Power Door Locks, 2-Stage with Anti Lock-Out	•	•	•	•
Power Windows with Key Off Operation and Driver Auto Up/Down with Anti-Pinch	•	•	•	•
Rear Cargo Area Light	•	•	•	•
Rear Cargo Hooks: 4	•	•	•	•
Rear Cargo Net		•	•	•
Rear Cargo Tie Downs: 6	•	•	•	•
Rear Floor Storage Box	•	•	•	•
Rear Seat Heat Ducts: 2nd and 3rd Row		•	•	•
Remote Fuel Lid Release with Cap Holder	•	•	•	•
Second Row Seat 60/40 Split with Easy-Entry Slide	•	•	•	•
Second Row Centre Activity Tray with Dual Cup Holder and Storage Areas		•	•	•
Speakers	4	7	7	7
Steering Wheel Mounted Audio Controls		•	•	•
4-Spoke Steering Wheel	•	•	Leather-Wrapped	Leather-Wrapped
Sun Visor Extensions	•	•	•	•
Welcome Lights	•	•	•	•



**We're here.** At Honda, assistance and support are always available. The team of trained technicians at your Honda Dealership will keep your vehicle in terrific shape. Honda accessories installed at the time your car was purchased are covered under the 3-year/60,000 km limited warranty. And if you ever need more information or assistance, feel free to call us at 1-888-9-HONDA-9.

**Visit us online.** For all of the latest Honda information, including our product specifications, pricing, photos and more, visit our website at [honda.ca](http://www.honda.ca). It has everything you need to "design" your own Honda and personalize it with items from our list of quality accessories.

**Quality Honda accessories** give you the opportunity to fine-tune your new Pilot just how you like it. Whether you want to turn up the style, the versatility or the exclusivity, every accessory is designed and built to adhere to the strictest Honda standards. See your Dealer for full details.

Whether you buy or lease a Honda, **Honda Canada Finance Inc.** can assist you with the process. Ask your Dealer which lease or purchase plan best suits your needs.

**Genuine Honda Replacement Parts** are made to the same exacting standards as original Honda Components and are guaranteed by our Genuine Honda Parts Warranty.

**We're ready to help.** When you purchase a 2005 Honda, you automatically receive Honda Plus Roadside Assistance. This service is available for you or anyone else driving your vehicle 24-hours-a-day, 7-days a week, anywhere in Canada or the U.S. Coverage is for three years, unlimited mileage and includes towing, battery boost, lock-out assistance plus many other helpful services. Ask your Dealer for more information.

©2004 Honda Canada Inc.,  
715 Milner Avenue, Toronto, Ontario, Canada M1B 2K8

*Remember Your Seatbelts. It's a Simple Fact of Life.* Specifications, features, illustrations and equipment shown in this catalogue are based upon the latest available information at the time of publication. Although descriptions are believed to be correct, accuracy cannot be guaranteed. Honda Canada Inc. reserves the right to make changes at any time, without notice or obligation, in colours, specifications, accessories, materials and models. Some vehicles are shown with optional equipment. @HomeLink is a registered trademark of Prince Corporation, a Division of Johnson Controls. Pilot is a registered trademark of Honda Motor Co. Ltd.

PRINTED IN CANADA. 08/04. PRINTED ON RECYCLED PAPER. ♻️ ♻️ 7555B005E



**HONDA**

[honda.ca](http://honda.ca)