

BMW X5



X5 3.0i  
X5 4.4i  
X5 4.8is

The Ultimate  
Driving Experience.®





**To find a new world,  
you must constantly redefine yourself.**



**The ongoing process of becoming better.**

**The best link between town and country  
is a good engine.**



What you see here  
you don't really need to see.



## Equipment



■ **Xenon headlights for low and high beam with luminous rings**, including automatic headlight range control for much better illumination of the road ahead in bad weather or poor visibility. These headlights also feature auto-levelling, to adjust for varying passenger and cargo loads.



■ **Rain sensor** uses an infrared light to measure the amount of rain. When the wipers are in the "intermittent" mode, the rain sensor automatically adjusts the windshield wiping interval as required. Includes automatic headlight function.



□ **Park Distance Control (PDC)** uses ultrasonic sensors in the bumpers to help you judge the distance to other cars and unseen objects when parking. The beeping becomes faster as your bumper approaches the object, turning into a constant tone when the distance is less than 30 centimetres. (Standard on the BMW X5 4.8is.)



□ **Running boards** made of brushed aluminum give the BMW X5 a sporty touch and also make entry to the vehicle more comfortable.



□ **Privacy glass** on the rear side windows (behind the B-pillar) and rear window; reduces the sun's dazzle and ensures a pleasant temperature inside the car. (Standard on the BMW X5 4.8is.)



□ **Y-Spoke light-alloy wheels** - Style 131, 18 x 8.5, 255/55R-18. (Available only on the BMW X5 3.0i.)



□ **Star Spoke light-alloy wheels** - Style 132, 19 x 9.0 front, 255/50R-19, 19 x 10.0 rear, 285/45R-19. (Available only on the BMW X5 4.4i.)



□ **Multi-function leather sport steering wheel with heating function** offers highly convenient operation, increased safety and an ergonomic design that makes it fit especially well in the driver's hands. (Standard on the BMW X5 4.8is.)



□ **On-board Navigation System** guides you conveniently and directly to your destination. In addition to providing driving instructions via voice, directional arrows or map display, the system will provide destination-specific information. (Standard on the BMW X5 4.8is.)

## Equipment



■ **BMW Business CD** offers AM/FM radio with easy-to-use preset buttons. Listen to your favourite radio stations or insert a CD into the single CD player, which includes MP3 capability.



■ **Automatic Climate Control system** includes Automatic Air Recirculation (AAR), which is activated when a sensor detects certain pollutants in the outside air. Inside, cabin air continuously passes through a microfilter that removes pollen, dust and spores.



■ **Automatic transmission with STEPTRONIC** is standard with five speeds on the X5 3.0i and six speeds on the X5 4.4i and the X5 4.8is. Gears are shifted quickly and smoothly for optimum performance on the road. STEPTRONIC allows you to use the automatic transmission like a manual gearbox, without having to press the clutch pedal.



□ **Sport seats** for the driver and front passenger, including electrical adjustment for the driver and front passenger seats, memory function for the driver's seat; optimum side support is provided by side bolsters, individual adjustment of seat height, backrest, seat angle and thigh support. (Standard on the BMW X5 4.8is.)



□ **Comfort seats** for the driver and front passenger, electrical adjustment of the headrest and seat position; memory function on the driver's seat including exterior mirrors and steering column settings. (Not available on the BMW X5 3.0i.)



□ **Heated rear seats** are a welcome feature in cooler weather. With the touch of a button, you can select from two heat settings. (Standard on the BMW X5 4.8is.)

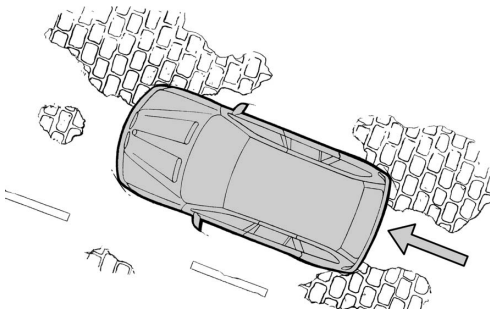


■ **Split-folding seats** allow you to accommodate many different types of luggage.

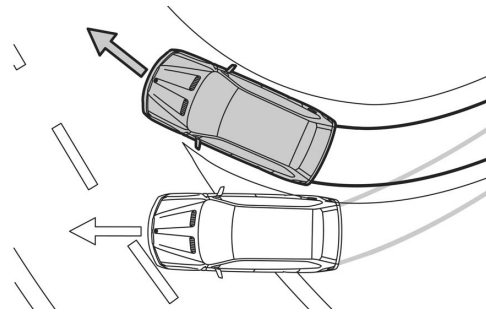


□ **Panorama sunroof** allows natural light to enter the cabin. For comfort and convenience, it comes with a speed-dependent wind deflector, electric slide and lift control via tip keys, and electric sunshade, as well as trap release and comfort open/close functionality. (Standard on the BMW X5 4.4i and 4.8is.)

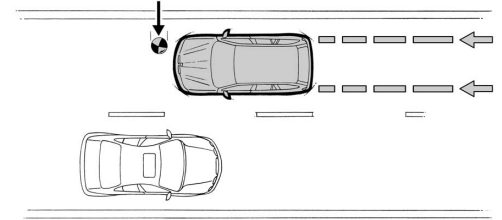
## Equipment | Safety



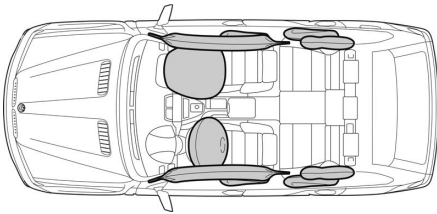
■ **Automatic Differential Brake (ADB-X)** provides the same function as differential locks by intervening on demand on individual wheels. A wheel about to spin is automatically slowed down by ADB-X until it regains its grip and conveys drive forces. With DSC activated, ADB-X is supplemented by engine output control; with DSC switched off, the function is set to maximum drive and traction.



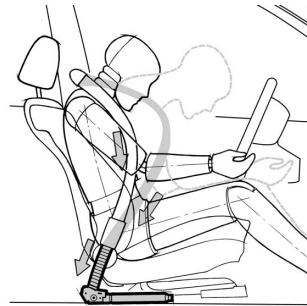
■ **Dynamic Stability Control (DSC)**, comprising ADB-X, CBC, DBC and HDC. DSC detects the risk of swerving right from the start, stabilizing the car within fractions of a second. The DSC suspension control system ensures greater driving stability above all in bends.



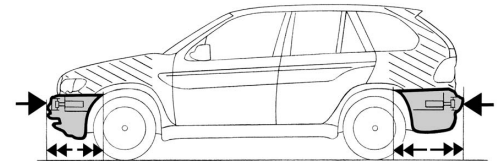
■ **Dynamic Brake Control (DBC)** provides brake assistance, building up maximum brake pressure in an emergency even if the driver fails to properly press down the brake pedal, significantly shortening your BMW's stopping distance in the process.



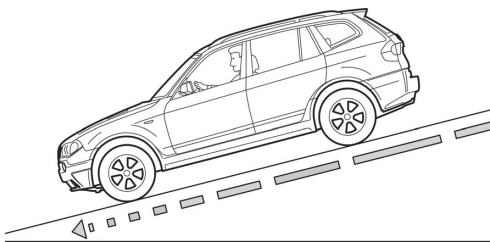
The **airbags** and all other safety components are perfectly coordinated in a BMW, so that in a collision only the airbag actually required is activated. Such activation varies according to the severity of an impact. Up to ten airbags offer superior safety on demand: driver and front passenger airbags, head and side airbags in the front, and head airbags in the rear, with rear side airbags as a special order option.



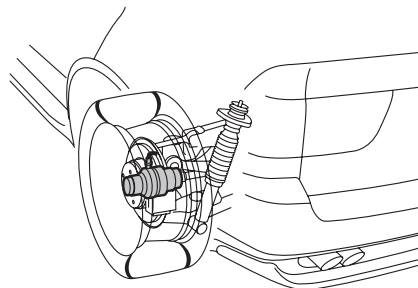
■ **BMW restraint system** for the driver and front passenger, combining the three-point seat belt (with manual belt height adjustment on the B-pillar), belt latch tensioner, belt force governor and anti-submarining ramp in the seat, for optimum restraint in a collision.



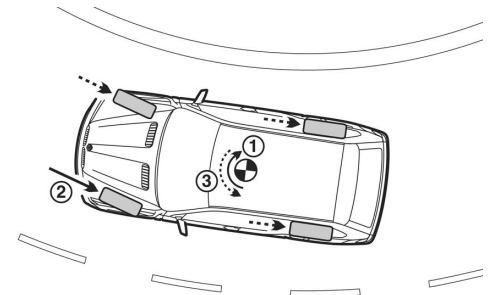
■ **Bumpers with regenerating aluminum impact absorbers** take up impacts, without damage, at speeds up to 4 km/h. Special deformation zones at the front and rear absorb forces at up to 15 km/h without any damage to the body.



■ **Hill Descent Control (HDC)** enables your BMW to take even the steepest downhill gradients safely and reliably, automatically reducing the velocity of the car to walking speed without the driver's having to brake. As an option, HDC can also be controlled via buttons in the multi-function steering wheel.



■ **Tire Pressure Warning** minimizes the possible repercussions of a tire defect. Comparing wheel rotation speed, the system determines changes in air pressure in one or several tires and warns the driver by a telltale in the Check/Control.



■ The sport driver knows that when you apply the brakes, the loads acting on the rear wheels are reduced, possibly making the vehicle swerve round in a bend. (1) **Cornering Brake Control (CBC)** counteracts this effect by asymmetrically adjusting brake pressure (2) in order to generate a stabilizing counterforce (3) even before the Anti-lock Braking System (ABS) cuts in.



Standard Equipment | Optional Equipment

Safety	X5 3.0i	X5 4.4i	X5 4.8is
<b>Adaptive Brakelights</b>	■	■	■
<b>Adaptive Headlights</b>	□	■	■
<b>Airbags:</b>			
– Driver and front passenger Impact-Dependent (ID) airbag system; seat occupancy detector on front passenger's seat	■	■	■
– Head Protection System (HPS) for front	■	■	■
– Side airbags at the front for driver and passenger	■	■	■
– Side airbags for rear passengers	□	□	□
<b>Alarm system</b> with remote control	■	■	■
<b>Anti-lock Brake System (ABS)</b>	■	■	■
<b>Automatic Differential Brake (ADB-X)</b>	■	■	■
<b>Battery Safety Terminal (BST)</b>	■	■	■
<b>Brakelight, third</b> , in the upper rear window frame	■	■	■
<b>Brakes:</b>			
– Disc brakes, inner-vented, front and rear	–	–	■
– Disc brakes, inner-vented, front; solid rear	■	■	–
<b>Central locking</b> with electronic immobilizer, crash sensor; fuel tank filler cap integrated in central locking	■	■	■
<b>Centre lock switch</b>	■	■	■
<b>Cornering Brake Control (CBC)</b>	■	■	■
<b>Dynamic Brake Control (DBC)</b>	■	■	■
<b>Dynamic Stability Control (DSC)</b>	■	■	■
<b>Foglights</b>	■	■	■
<b>Fuel pump</b> switches off automatically in the event of a collision	■	■	■
<b>High-pressure headlight cleaning system</b>	□	□	■
<b>Hill Descent Control (HDC)</b>	■	■	■
<b>Park Distance Control (PDC)</b>	□	□	■
<b>Power steering</b> with crash-optimized safety steering column	■	■	■
<b>Rain sensor</b> with automatic headlights	■	■	■
<b>Safety bodyshell:</b>			
– Deformation zones front and rear, door reinforcements made of aluminum, bumpers regenerating to their original shape in collisions at up to 4 km/h	■	■	■
<b>Seatbelts:</b>			
– Ergonomic belt system at the rear with three-point belts on all seats	■	■	■
– Inertia-reel seatbelts at the front with belt latch tensioner and belt force governor	■	■	■
– Manual seatbelt height adjustment on the B-pillar	■	■	■
<b>Side impact protection</b> door reinforcements	■	■	■
<b>Trailer Stability Control</b> in conjunction with trailer towbar	■	■	■
<b>Xenon headlights</b> , low and high beam with luminous rings, including automatic headlight range control	■	■	■

Standard Equipment | Optional Equipment

Engines	X5 3.0i	X5 4.4i	X5 4.8is
3.0-litre, 225hp, 24-valve in-line 6-cylinder engine	■	–	–
4.4-litre, 315hp, 32-valve V8 engine	–	■	–
4.8-litre, 355hp, 32-valve V8 engine	–	–	■
Comfort start	–	■	■
Cylinder-specific knock control	■	■	■
Digital Motor Electronics (DME)	■	■	■
“Drive-by-wire” throttle system, fully electronic	■	■	■
Double-VANOS “steplessly” variable valve timing	■	■	■
Electronically controlled engine cooling	■	■	■
Engine compartment with full encapsulation	■	■	■
Engine mounts with controlled hardness	■	■	■
Light-alloy cylinder head	■	■	■
On-board diagnosis	■	■	■
Three-way catalytic converter, heated oxygen sensor, activated carbon filter, fully controlled tank purge	■	■	■
Valvetronic	–	■	■
<b>Transmission/Suspension</b>			
5-speed STEPTRONIC, 3-mode (automatic/sport automatic/clutchless manual) transmission with Adaptive Transmission Control (ATC)	■	–	–
6-speed STEPTRONIC, 3-mode (automatic/sport automatic/clutchless manual) transmission with Adaptive Transmission Control (ATC)	–	■	■
Anti-roll stabilizer bars, front and rear	■	■	■
Double-joint spring-strut front axle with brake dive compensation and thrust bar	■	■	■
Electronic Brakeforce Distribution (EBD)	■	■	■
Full air suspension with Active Ride Height	–	–	■
Integral rear axle with anti-squat and anti-dive	■	■	■
Self-levelling air suspension, rear	□	■	–
Sport suspension calibration	□	□	■
xDrive All-wheel drive system with variable torque distribution	■	■	■
<b>Interior</b>			
Armrest at the front, folding up and down, sliding forwards and backwards	■	■	■
Armrests on the doors, with integral grab handles	■	■	■
Automatic Climate Control including Automatic Air Recirculation (AAR), microfilter and solar sensor	■	■	■
BMW Ambiance Lighting	■	■	■
Centre armrest, at the rear	■	■	■
Cup holders, front and rear	■	■	■
Digital clock	■	■	■
Follow-Me-Home function	■	■	■
Full-size spare alloy wheel and tire	■	■	–
Headrests at the front, adjustable for height and angle	■	■	■
Headrests at the rear (3), manually adjustable for height	■	■	■
Indirect illumination of centre console front and rear	■	■	■
Interior lights with automatic function, soft on/off	■	■	■
Interior rear-view mirror with automatic dimming function, including electronic compass	□	□	■

■ Standard □ Optional – Not available

Standard Equipment | Optional Equipment

Interior	X5 3.0i	X5 4.4i	X5 4.8is
<b>Interior Trim:</b>			
– Dark Poplar wood	■	■	□
– Graphite metallic	–	–	■
– Le Mans Blue metallic	–	–	□
– Smoke Grey Poplar	□	□	□
<b>Latching points</b> , four, and cargo holders, two, in the luggage compartment	■	■	■
<b>Locking illuminated glovebox</b> with rechargeable takeout flashlight	■	■	■
<b>Luggage compartment cover</b>	■	■	■
<b>Luggage compartment lights</b> , two, in upper section of rear lid	■	■	■
<b>Luggage compartment</b> with full textile lining	■	■	■
<b>Navigation System</b> , DVD navigation with 16:9 aspect ratio on-board monitor, BMW Professional radio with cassette player	□	□	■
<b>On-board computer</b> with Check Control including alphanumeric display, pictogram display and additional functions	□	□	■
<b>On-board computer</b> with Check/Control including pictogram display	■	■	–
<b>Outside temperature display</b>	■	■	■
<b>Panorama sunroof</b> , electric	□	■	■
<b>Power front and rear windows</b> ; anti-trap with “one touch” feature up/down operation	■	■	■
<b>Power sockets</b> (12 V), two, in luggage compartment	■	■	■
<b>Radio/Audio:</b>			
– 6-disc CD Changer, with MP3 capability	□	□	■
– Audiophile Sound System with Digital Sound Processing (DSP), 12 speakers	□	□	■
– BMW Business CD/Radio, with MP3 capability	■	■	–
– CD Changer, pre-wiring	■	■	–
– HiFi Sound System, 10 speakers	■	■	–
<b>Roof liner, Anthracite</b>	□	□	■
<b>Seat pockets</b> on front seats	■	■	■
<b>Seats/Seat Comfort:</b>			
– Comfort seats, 12-way power adjustable	–	□	□
– Front seats, 8-way power adjustable for driver	■	–	–
– Front seats, 8-way power adjustable for driver and passenger, including driver memory	□	■	■
– Heated seats for driver and front passenger	■	■	■
– Heated seats on the rear seats	□	□	■
– Lumbar support for driver and front passenger	–	■	■
– Rear seat backrest with asymmetric (2:1) subdivision	■	■	■
– Sport seats for driver and front passenger, 8-way power adjustable	–	□	■
<b>Service Interval Indicator</b>	■	■	■
<b>Ski bag</b>	□	□	■
<b>Steering wheel column</b> electrically adjustable for reach and height (included in electrical seat adjustment)	■	■	■
<b>Steering wheel, heated</b>	■	■	■
<b>Steering Wheels:</b>			
– Leather steering wheel with airbag and multi-function buttons, including heating function	■	■	–
– Sport leather steering wheel with airbag and multi-function buttons, including heating function	□	□	■
<b>Storage facilities</b> in the roof console, in the doors front and rear, storage boxes rear left and right	■	■	■
<b>Telephones:</b>			
– Telephone and BMW Assist preparation with Bluetooth technology, including one year of BMW Assist Safety and Security Services	□	□	■
– Telephone pre-wiring	■	■	–
<b>Twin-tone horn</b>	■	■	■
<b>Universal garage door opener</b>	■	■	■

■ Standard □ Optional – Not available

Standard Equipment | Optional Equipment

Interior	X5 3.0i	X5 4.4i	X5 4.8is
<b>Upholstery:</b>			
– Leatherette	■	–	–
– Dakota Leather	□	■	–
– Nappa Leather	–	–	■
<b>Vanity mirrors</b> , illuminated, with slide cover, for driver and front passenger	■	■	■
<b>Vehicle/Key Memory</b>	■	■	■
<b>Exterior</b>			
<b>All-round anti-corrosion treatment</b> with partial hot galvanizing, phosphate coating and cathodic dip bath, hollow cavity preservation, underfloor protection	■	■	■
<b>Aluminum running boards</b>	□	□	□
<b>Direction indicators</b> , white	■	■	■
<b>Engine compartment lid and rear lid</b> supported by gas pressure springs	■	■	■
<b>Heat-insulating glass all round</b> , green, with laminated windscreen	■	■	■
<b>Illumination of entry area</b> integrated in rear-view mirrors	■	■	■
<b>Keyless entry</b> with multi-function remote control	■	■	■
<b>Maintenance</b>			
Scheduled Maintenance for 4 years/80,000 km on all models	■	■	■
<b>Metallic paint</b>	■	■	■
<b>Rear lid</b> , two-piece:			
– Rear lid section folding down to loading sill level	■	■	■
– Upper section opening up separately at the touch of a button (electrical control buttons outside and in the interior), including Soft Close automatic system	■	■	■
<b>Rear-view mirrors</b> , electrically adjustable, finished in body colour, blue-tinted, heated, in aspheric design	■	■	■
<b>Rear-view mirrors with auto-dimming function</b> , including fold-in function, heated	□	□	■
<b>Rear window wiper</b>	■	■	■
<b>Roof rails</b>	■	■	■
<b>Screenwasher nozzles</b> , heated	■	■	■
<b>Wheel arches</b> at the front with plastic inserts	■	■	■
<b>Wheels:</b>			
– Double Spoke alloy wheels - Style 183, 18 x 8.5, 255/55R-18	–	■	–
– Star Spoke alloy wheels - Style 132, 19 x 9.0, front, 255/50R-19, 19 x 10.0, rear, 285/45R-19	–	□	–
– V-Spoke alloy wheels - Style 130, 17 x 7.5, 235/65R-17	■	–	–
– V-Spoke alloy wheels - Style 168, 20 x 9.5, front, 275/40R-20, 20 x 10.5, rear, 315/35R-20	–	–	■
– Y-Spoke alloy wheels - Style 131, 18 x 8.5, 255/55R-18	□	–	–
<b>Windshield with green stripe</b>	■	■	■
<b>Activity Package</b>			
Aluminum running boards; Headlight cleaning system; Park Distance Control; Privacy glass; Ski bag	□	□	–
<b>Navigation Package</b>			
BMW On-board Navigation System; Canada/USA Navigation DVD	□	□	–
<b>Premium Package</b>			
Auto-dimming mirrors with electronic compass; Dakota Leather; Electric seats with driver memory; Heated seats, rear; Servotronic	□	–	–
Audiophile Sound System with Digital Sound Processing; Auto-dimming mirrors with electronic compass; Comfort seats; Heated seats, rear; Servotronic	–	□	–
<b>Sport Package</b>			
3-spoke multi-function leather sport steering wheel; 18" Y-Spoke alloy wheels, Style 131; Anthracite roof liner; Door unlock lever and metal grille in front apron in Titanium; Exhaust baffles; On-board computer; Window framing in high-gloss Shadow Line; Sport suspension with self-levelling rear	□	–	–
3-spoke multi-function leather sport steering wheel; 19" Star Spoke alloy wheels, Style 132; Anthracite roof liner; Door unlock lever and metal grille in front apron in Titanium; Exhaust baffles; On-board computer; Window framing in high-gloss Shadow Line; Sport suspension with self-levelling rear	–	□	–

■ Standard □ Optional – Not available

**Specifications | Technical Data**

<b>Weight</b>		<b>X5 3.0i</b>	<b>X5 4.4i</b>	<b>X5 4.8is</b>
Unladen <sup>1</sup>	kg	2130	2235	2275
Max. permissible	kg	2725	2725	2725
Permitted load <sup>1</sup>	kg	595	490	450
Permitted axle load, front/rear	kg	1230/1500	1265/1500	1265/1500
Permitted roof load	kg	100	100	100
Permitted trailer load, unbraked	kg	750	750	750
Permitted trailer load, braked <sup>3</sup>	kg	2700	2700	2700

<b>Engine</b>				
Cylinders/Valves		6/24	8/32	8/32
Capacity	cm <sup>3</sup>	2979	4398	4799
Bore/Stroke	mm	84.0 x 89.6	92.0 x 82.7	93.0 x 88.3
Max. output	hp/rpm	225/5900	315/5400	355/6200
Max. torque	lb-ft/rpm	214/3500	324/3600	369/3500
Compression ratio	:1	10.2	10.0	10.5

<b>Transmission</b>				
Automatic transmission ratios	I/II/III :1	3.42/2.22/1.60	4.17/2.34/1.52	4.17/2.34/1.52
	IV/V/VI/R :1	1.00/0.75/-/3.03	1.14/0.87/0.69/3.40	1.14/0.87/0.69/3.40
Final drive ratio	:1	4.10	4.10	3.91

<b>Performance</b>				
Top speed <sup>2</sup>	km/h	210	210	246
Acceleration 0-100 km/h	sec	8.8	7.2	6.1

<sup>1</sup> Unladen weight applies to vehicles in standard trim. Optional equipment may increase this figure.

<sup>2</sup> Electronically limited.

<sup>3</sup> Max 12% gradient. The overall weight of the trailer may not exceed the maximum permissible trailer load plus the maximum permissible towbar download.

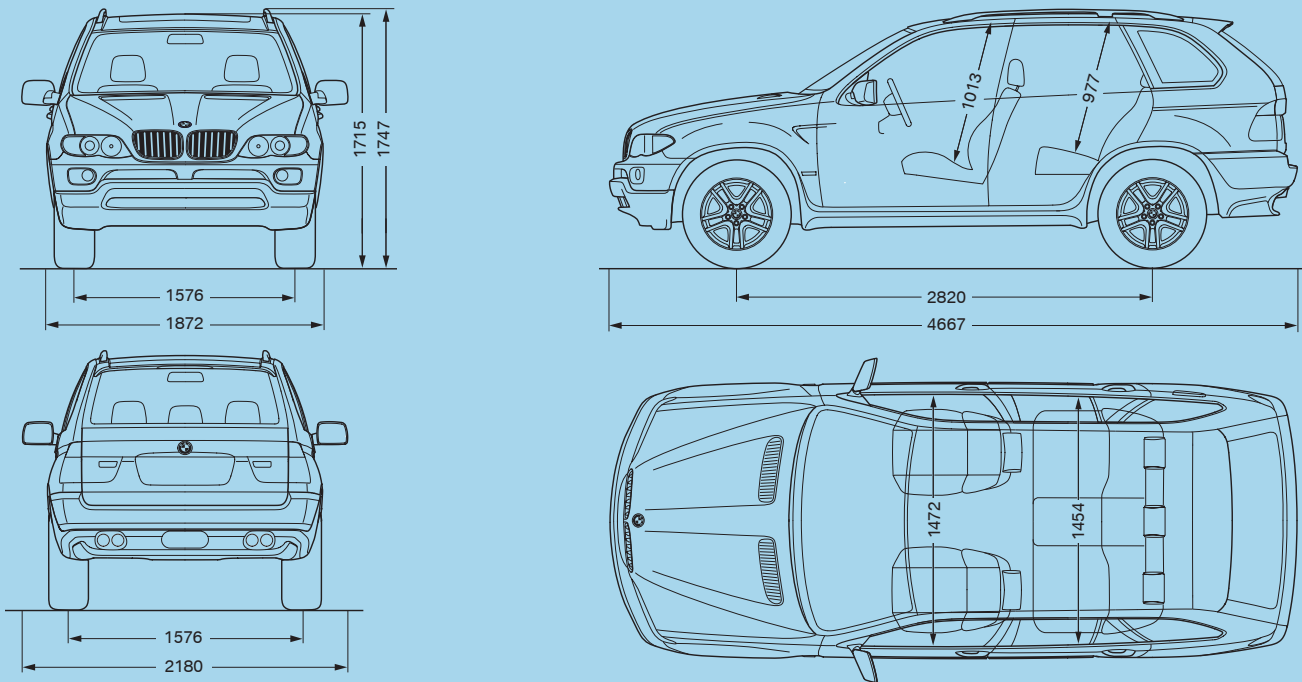
Fuel Consumption <sup>1</sup>		X5 3.0i	X5 4.4i	X5 4.8is
City	L/100 km	14.9	14.8	14.7
Highway	L/100 km	10.4	9.9	10.1
Combined	L/100 km	12.9	12.6	12.6
Tank capacity, approx.	L	93	93	93

Wheels				
Tire dimensions	Standard	235/65R-17	255/55R-18	275/40R-20 front
				315/35R-20 rear
Wheel dimensions	Standard	17 x 7.5	18 x 8.5	20 x 9.5 front
				20 x 10.5 rear
Material		Light-alloy	Light-alloy	Light-alloy

Electrical System				
Battery capacity	Ah	80	90	90
Alternator output	Amps/Watts	140/1960	170/2380	170/2380



All dimensions of drawings in millimetres. See your local BMW Retailer for BMW X5 4.4i and X5 4.8is measurements.  
Luggage compartment capacity 465-1550 litres for the BMW X5 3.0i, X5 4.4i and X5 4.8is.

<sup>1</sup> NR Can - estimated figures are for comparison purposes only. Your actual mileage will vary, depending on speed, driving habits, trip length and driving conditions; actual mileage will most likely be lower.

contained in this brochure. Further information about the products shown in this brochure can be obtained from your authorized BMW Retailer and at [www.BMW.ca](http://www.BMW.ca)  
Printed 09/2005.

Exclusive Canadian importer and distributor - BMW Canada Inc., Whitby, Ontario L1N 6K9. All specifications, standard features, accessories, equipment, options, fabrics and colours are based on product information available at the time of printing. BMW reserves the right to revise specifications at any time, without notice. Illustrations are representative only. BMW may determine the Model Year designation of its vehicles. Models may be shown with features, accessories, equipment, options, fabrics and/or colours not available in Canada, or available only at extra cost, or available only on particular models. While BMW takes care to ensure that the information contained in this brochure is accurate, it cannot guarantee complete accuracy. BMW is not responsible for errors or omissions

©2005 BMW AG, Munich, Germany. Not to be reproduced wholly or in part without prior written permission of BMW AG, Germany. "BMW" and the BMW logo and BMW model designations are registered trademarks of BMW AG, used under licence.

European models shown. In Canada, front orange reflectors are standard.

