



SOLUTIONS FOR THE WORLD YOU DRIVE IN.

At General Motors we are 100 percent committed to building vehicles that answer your specific needs. Because you demand more of your vehicle than ever before, we're committed to putting more of what you want into every vehicle we make.

VALUE

Value means much more than simply the price you pay for a vehicle. We are particularly proud of the value you receive for your money when you choose a General Motors vehicle – the unique combination of style, performance, safety, quality and functionality that sets GM's diverse model lineup apart from the rest.

FUEL ECONOMY

We know how important fuel efficiency is today. GM has it covered by offering more cars that get better than 7.0 L/100 km or 40 mpg in highway* driving than any other automaker in Canada. In addition, GM offers 15 models with Active Fuel Management™ fuel-saving technology – and 17 models that can run on E85 ethanol fuel.

QUALITY

If you're looking for a vehicle that's built to exceptionally high standards, look no further than GM's long list of quality and dependability awards, media accolades and consumer recommendations – as well as the fact that GM builds the most dependable, longest-lasting full-size pickups on the road*.

INNOVATIVE DESIGNS

It required ingenuity to bring utility and dramatic style together in the Chevrolet HHR. And it required pure creativity to execute the flawless lines and purposeful design of the Pontiac Solstice open-air roadster. At GM, we break the mould to develop new designs that give you more range of selection than ever before.

SAFETY

General Motors is the only automotive manufacturer committed to offering a full range of cars, trucks and SUVs that provide safety protection before, during and after a collision. In addition, GM builds 26 vehicles that have earned U.S. Government five-star frontal or side crash test ratings for 2006 models.**

FEATURES

GM keeps you ahead of the curve, by adding the features that really make a difference to your driving experience. Features like OnStar – the first comprehensive in-vehicle communications and assistance service. And XM Satellite Radio – the largest satellite radio provider in the world – that's now offered on more than 50 GM vehicles.

*Dependability based on longevity; 1988–July 2005 full-size Chevrolet and GMC light-duty pickup registrations, including chassis cabs. Sources: R.L. Polk Canada, Inc. National Vehicle Population Profile – Canadian Vehicles in Operation as of July 1, 2005. Based on % of vehicles remaining in operation, weighted on age of vehicle.

**U.S. Government ratings are part of the National Highway Traffic Safety Administration's (NHTSA's) New Car Assessment Program (safercar.gov).

†Based on Natural Resources Canada's 2006 Fuel Consumption Guide's rating available at time of printing.

™© 2005, VANOC. Used under License.

CHEVROLET PONTIAC BUICK GMC SATURN HUMMER SAAB CADILLAC

gmcanada.com



 2007 HHR



2007 HHR



2007 HHR

PUT MORE STYLE IN YOUR LIFESTYLE.

You've got the lifestyle down. The freedom. The spontaneity. The instantaneous transitions from work to play, from city to country. All you need is a vehicle that lives up to your lifestyle, in the way it functions, the way it drives – and the way it looks. To find that vehicle all you have to do is catch a glimpse of an approach to styling that's as bold as the approach to versatility. A vehicle with a personality as large as its cargo bay. With performance that's as gutsy as the styling, thanks to an even more powerful pair of ECOTEC engines. Plus the reassurance you gain from the fact the 2006 HHR earned five stars – the Highest Government Safety Rating – for frontal and side-impact crash tests.* Go bolder – in the 2007 Chevrolet HHR.

For more information about HHR, visit our website at hhr.gmcanada.com

*Driver and front passenger frontal crash ratings, and front and rear occupant side-impact safety ratings for 2006 model. U.S. government ratings are part of the National Highway Traffic Safety Administration's (NHTSA) New Car Assessment Program (safercar.gov).



From left to right: HHR LT, shown in Sunburst Orange Metallic; HHR LT, shown in Silverstone Metallic; and HHR LT, shown in Black.



HHR

LOVE TO BE THE CENTRE OF ATTENTION?

Despite the fact that HHR is categorized as a small utility, it makes a larger than life impression. Because it stands tall. And because it stands out. Not only by the way it looks, but also the way it performs with two ECOTEC engines: the LT's 2.4L ECOTEC engine with variable valve timing delivers 175 horsepower, while the LS's 2.2L engine produces 149 horsepower. Combined with the Getrag five-speed manual transmission and precision tuned suspension, you'll find HHR is a vehicle that's as riveting to drive as it is to stare at.



Satin nickel grille is standard on HHR.



Satin nickel door handles are standard on HHR.



The rear liftgate appliqué features a touchpad latch release.



HHR CONTROLS



The standard Driver Information Centre relays information about everything from exterior temperature and fuel range to the status of your GM Oil Life System and has various personalization settings.

An in-dash 6-disc CD changer is available. All stereos feature an auxiliary audio input jack for personal MP3 players.



HHR LT interior, shown in Gray with available features.

THE SIGHTLINES ARE AS GOOD AS THE TUNES.

This is where it all comes together – the gear is on board, the friends are buckled in, the ECOTEC power kicks in, and a world of possibilities opens up in front of you. And you get a front-row-centre view of the world around you, thanks to HHR's elevated seating position. That

position can be optimized for your comfort with a standard six-way driver's seat adjuster. Listen up, there's more: the standard six-speaker sound system not only includes a CD player, but also an input for your MP3 player. HHR – it all sounds good.

KEY FEATURES:

- Air conditioning
- Cruise control and remote keyless entry system
- Power windows, door locks and exterior mirrors
- 6-way manual driver's seat adjuster on LS; power 8-way driver's seat on LT
- 6-speaker sound system with CD player and auxiliary audio input jack; MP3 playback on LT
- Premium 7-speaker Pioneer sound system with a rear subwoofer and 260-watt amplifier available
- XM Satellite Radio available.

HHR TECHNOLOGY

SURE STEEL IS STRONG, BUT QUIET?

HHR is breaking through not only with its style and versatility, but also with the quality of its engineering. Take its Quiet Steel technology – it sandwiches a layer of elastic material between two thin sheets of steel to produce a quieter ride. Another example is worth making some noise about. HHR earned the highest U.S. government safety rating – five stars – in both frontal and side-impact crash tests. That’s something worth considering in a quiet moment during an HHR test drive.

*Driver and front passenger frontal crash ratings, and front and rear occupant side-impact safety ratings for 2006 model. U.S. government ratings are part of the National Highway Traffic Safety Administration’s (NHTSA) New Car Assessment Program (safercar.gov).

1. ECOTEC ENGINES

Both the 149 hp 2.2L I-4 and 175 hp 2.4L I-4 ECOTEC engines feature a dual overhead camshaft configuration to help maximize output and an aluminum engine block that reduces weight without sacrificing strength.

2. BRAKING PERFORMANCE

HHR features standard front disc brakes with ventilated rotors and single piston calipers, in addition to rear drum brakes, for assured stopping power. Four-wheel anti-lock brakes (ABS) are available.

3. SPEED-SENSITIVE ELECTRIC POWER STEERING

Speed-sensitive electric power steering eliminates the hydraulics of a conventional power steering system, reducing weight and fuel consumption. It uses electronic sensors to react within thousandths of a second for precision control and responsiveness.

4. PASSENGER SENSING SYSTEM

The Passenger Sensing System detects the weight of the passenger in the front seat and automatically suppresses air bag deployment when appropriate.*

5. SIDE-IMPACT AIR BAGS*

Dual-stage frontal air bags are standard on all HHR models. In addition, head curtain side-impact air bags for both front and rear passengers are available.

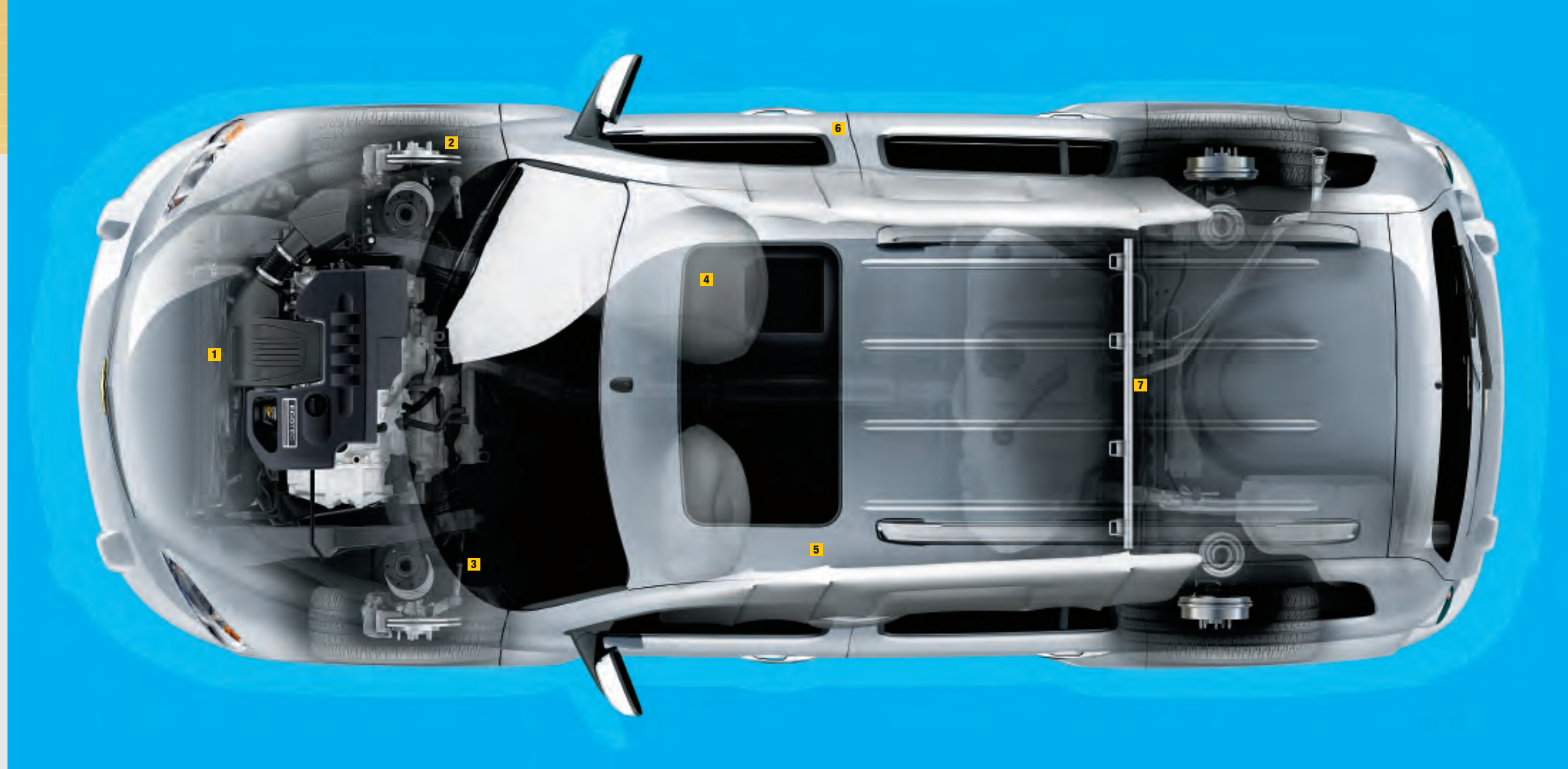
6. QUALITY MANUFACTURING

HHR’s rigid body structure reduces noise and vibration, and makes it possible to tune suspension components more precisely. Exceptionally tight gaps between exterior body panels match the quality achieved in much more expensive vehicles.

7. LATCH SYSTEM

The standard rear-seat LATCH (Lower Anchors and top Tethers for Children) child security system makes it easier to secure child safety seats.

*A NOTE ON CHILD SAFETY: Always use safety belts and proper child restraints, even in vehicles equipped with air bags. Even with the Passenger Sensing System, children are safer when properly secured in a rear seat. Never place a rear-facing infant restraint in the front seat of any vehicle equipped with an active air bag. Refer to the vehicle Owner’s Manual and child safety seat instructions for more information.



HHR VERSATILITY

EVEN BEFORE YOU SHARE THE EXPERIENCE, SHARE THE SPACE.

HHR is designed with a thorough understanding of the fact that interior space must be shared, not only by your friends and family, but also by their stuff. So you'll be pleased to learn that HHR offers up to 1574 L (55.6 cu. ft.) of cargo space with the rear seats folded down. HHR's intelligent approach to versatility extends to an auxiliary storage compartment positioned at the centre of the instrument panel. HHR is ready to share. Are you?



The front-passenger and second-row seatbacks can be folded flat to create an extended loading floor.



1. The adjustable rear cargo shelf also serves as a tabletop – perfect for tailgate parties.



2. Concealed rear storage bins keep valuables out of sight.



3. Additional storage space is provided under the rear load floor.

An auxiliary storage compartment is positioned at the top centre of the instrument panel for easy access.



HHR ACCESSORIES

HHR HAS ITS OWN PERSONALITY. NOW ADD YOURS.

HHR has a strong character all its own. Now it's your turn to personalize your vehicle with the added style and function provided by GM Accessories. They are the only accessories that are integrated into the process of designing your vehicle, ensuring excellent fit, finish and functionality. And only GM Accessories are backed by GM's 3-year/60,000 km New Vehicle Limited Warranty.* They can also be included in your new-vehicle lease or finance agreement through GMAC. Ask your dealer for a complete list of the GM Accessories available for HHR, or visit gmcanada.com

*Whichever comes first, when permanently installed by the dealer at the time you purchase or lease your new vehicle.



GM Accessories available for HHR include:

- 17" chrome aluminum wheels
- Rear spoiler
- Stainless steel exhaust tip
- Bumper cover
- Moulded splash guards
- Doorsill plates
- All-weather floor mats
- Front end cover.



ONSTAR

OnStar* uses advanced communications technology to enhance your safety, security and convenience. OnStar Advisors can provide a wealth of information and perform a variety of diagnostic services.



They can also provide assistance in an emergency. No wonder more than 4 million people have become OnStar subscribers and over 12 million calls are made each month on the built-in voice-activated, hands-free system. OnStar and one year of the Safe & Sound Plan are available on all HHR models. See your dealer for more information on plans and services.

*OnStar services require vehicle electrical system (including battery), wireless service, and GPS satellite signals to be available and operating for features to function properly. Not all OnStar features are available on all vehicles. OnStar acts as a link to existing emergency service providers. OnStar Hands-Free Calling requires a Hands-Free enabled vehicle, prepaid minutes and existing OnStar service contract. Subscription Service Agreement required.

XM SATELLITE RADIO

What's convinced more than six million people to subscribe to XM Satellite Radio? How about the largest playlist on the planet, with musical genres that span everything from decades to dance, rock to rap and country to classical – broadcasting the most commercial-free music in digital quality sound? Or is it the news, talk, comedy and sports channels – including more than 1,000 NHL games – and all available from coast to coast?* XM has revolutionized radio as we know it. And now you can enjoy XM Satellite Radio in your next General Motors vehicle – GM is the first automaker to offer factory-installed satellite receivers. Ask your dealer for more information.



*Includes three free trial months beyond which service fees apply. Available in 10 Canadian provinces and 48 contiguous United States.

HHR STANDARD & OPTIONAL FEATURES

SAFETY AND SECURITY	LS	LT
Air bags – dual-stage, driver and front-passenger, frontal with Passenger Sensing System	S	S
Air bags – front to rear, side head curtain ¹	0	0
Brake/transmission shift interlock feature (automatic transmission only)	S	S
Door locks – power with lock-out protection	S	S
Door locks – rear door, child-security	S	S
Headlights – Daytime Running Lights with automatic light control	S	S
Keyless entry system – remote with content theft system	S	S
OnStar In-Vehicle Communications and Assistance Service – includes one-year Safe & Sound Plan ²	0	0
Safety belts – front-shoulder height-adjustable	S	S
Safety restraints – LATCH (Lower Anchors and top Tethers for Children), rear seats	S	S
Theft-deterrent system – PASS-Key III+, immobilizer	S	S
Theft-deterrent system – content theft alarm, audible/visible	S	S
Traction assist – Enhanced Traction System (ETS) ³	0	0

MECHANICAL	LS	LT
Battery – with run-down protection	S	S
Brakes – power, front disc/rear drum	S	S
Brakes – 4-wheel anti-lock braking system (ABS)	0	0
Drive – front-wheel	S	S
Engine – 2.2L ECOTEC I-4 with SFI Horsepower – 149 @ 5600 rpm; Torque – 152 lb.-ft. @ 4200 rpm	S	–
Engine – 2.4L ECOTEC I-4 VVT with SFI Horsepower – 175 @ 6200 rpm; Torque – 165 lb.-ft. @ 4800 rpm	–	S
Engine – block heater	0	0
Exhaust system – aluminized stainless steel	S	S
Exhaust system – high-polished tip	–	S
Steering – power, electric, rack-and-pinion	S	S
Suspension – front independent/rear semi-independent	S	S
Suspension – Touring	S	S
Transmission – 5-speed Getrag manual with overdrive	S	S
Transmission – 4-speed automatic with overdrive ⁴	0	0
Vehicle starter system – remote ⁵	0	0

EXTERIOR	LS	LT
Door handles – satin nickel	S	S
Fascias – front and rear with two-tone appearance	S	S
Fog lights	–	0
Glass – Solar-Ray, deep-tinted behind front doors	S	S
Mirrors – folding, power remote control, black	S	–
Mirrors – folding, power remote control, satin nickel	–	S
Roof rack – roof-mounted, includes side rails only	–	0
Running boards – body-colour, moulded	S	S
Sunroof – power, sliding glass panel	0	0
Tires – P215/55R16 all-season touring	S	S
Wheels – 16" x 6.5" steel, bolt-on wheel covers (D)	S	–
Wheels – 16" x 6.5" machine-faced aluminum (C)	–	S
Wheels – 17" X 6.5" high-polished forged aluminum (A)	–	0 ⁶
Windshield wipers – 2-speed with variable delay (intermittent)	S	S
Wiper/washer – rear-window	S	S

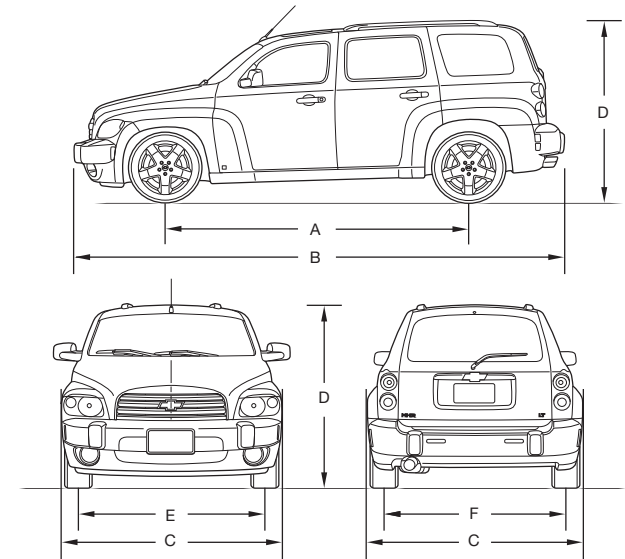
INTERIOR	LS	LT
Air conditioning	S	S
Air filtration system – pollen filter	S	S
Auxiliary power outlets – two, one front and one rear	S	S
Cargo area – carpeted cargo mat	0	0
Cargo area – premium cargo mat with HHR embroidery*	0	0
Console – front floor, dual front and single rear console cupholders	S	S
Cruise control – electronic with resume, coast and decelerate/accelerate features	S	S
Defogger – electric rear-window	S	S
Floor mats – front and rear, carpeted	S	S
Floor mats – premium with HHR embroidery*	0	0
Hatch – release, power remote	S	S
Heat ducts – rear seat, floor	S	S
Instrumentation – analogue cluster (includes speedometer, tachometer, coolant temperature, fuel gauge and low coolant indicator)	S	S
Instrumentation – Driver Information Centre (includes 2 trip odometers, average speed, fuel range, fuel economy, GM Oil Life System, exterior temperature display and programmable features)	S	S
Lights – dome, delayed entry/exit with ignition key removal and theatre dimming	S	S
Mirror – electrochromic auto-dimming with dual reading lights	–	0
Smoker's Package – includes ashtray and lighter	0	0
Steering column – tilt adjustable	S	S
Steering wheel – 3-spoke with cruise and Driver Information Centre controls	S	S
Steering wheel – leather-wrapped with sound system, cruise and Driver Information Centre controls and leather-wrapped shifter	–	0
Storage compartment – concealed, upper instrument panel	S	S
Sunshades – LH and RH covered; vanity mirrors	S	S
Windows – power, driver's express-down feature and passenger lock-out features	S	S
Sun and Sound Package – includes power sunroof, in-dash 6-disc CD changer with MP3 playback and 7-speaker Pioneer premium sound system	–	0

SEATS	LS	LT
Cloth reclining front bucket seats with vertical adjusting head restraints and driver's seatback storage pocket	S	S
Reclining front bucket seats with heated leather seating surfaces, vertical adjusting head restraints, driver's seatback storage pockets, leather-wrapped steering wheel and shifter	–	0
Manual driver-seat height adjuster	S	–
Power 8-way driver adjuster with power lumbar adjuster	–	S
Flat-folding – front-passenger seatback	S	S
Seatback – rear, 60/40 split-folding	S	S

SOUND SYSTEMS	LS	LT
All HHR sound systems include an electronically tuned AM/FM stereo with seek, scan, auxiliary audio input jack and digital clock		
AM/FM stereo with CD player	S	–
AM/FM stereo with CD player, MP3 playback, auto tone control, speed-compensated volume control, Radio Data System (RDS) and TheftLock	0	S
AM/FM stereo with in-dash 6-disc CD changer, MP3 playback, auto tone control, speed-compensated volume control, Radio Data System (RDS) and TheftLock	0	0
XM Satellite Radio ^{†7}	0	0
6-speaker sound system	S	S
7-speaker Pioneer premium sound system with 260-watt amplifier and 10-inch rear subwoofer ⁷	0	0

1 – Requires available anti-lock braking system (ABS) or OnStar.
 2 – Includes interior electrochromic auto-dimming rear-view mirror with dual reading lights. Requires front to rear side head curtain air bags and up-level sound system.
 3 – Included when available 4-speed automatic transmission and anti-lock braking system (ABS) are both specified.
 4 – Includes Enhanced Traction System (ETS) when available anti-lock braking system (ABS) is specified.
 5 – Requires available 4-speed automatic transmission.
 6 – Requires Preferred Equipment Group 1SC.
 7 – Requires up-level sound system.
 S – Standard. 0 – Optional individually or in combination with other optional equipment.
 † Includes three free trial months beyond which service fees apply. Available in 10 Canadian provinces and 48 contiguous United States.
 * Regular production accessory, dealer-installed.

DIMENSIONS



EXTERIOR, mm (in.)	
Wheelbase (A)	2692 (103.5)
Length (B)	4475 (176.2)
Width (C)	1755 (69.1)
Height (D)	1603 (63.1)
Front tread (E)	1491 (58.7)
Rear tread (F)	1491 (58.7)

INTERIOR, mm (in.) front/rear	
Headroom	1006/991 (39.6/39.0)
Legroom	1031/1003 (40.6/39.5)
Shoulder room	1359/1339 (53.5/52.7)
Hip room	1273/1266 (50.1/49.8)

CAPACITIES/WEIGHT	
Cargo, L (cu. ft.) – rear seats up	674 (23.8)
– rear seats down	1574 (55.6)
Fuel tank, L (imp. gal.)	65 (14.3)
Curb weight (est.), kg. (lb.) – LS	1396 (3070)
– LT	1428 (3142)

TOWING	
2.2L ECOTEC I-4	454 kg (1000 lb.) maximum gross trailer weight*
2.4L ECOTEC I-4 VVT	454 kg (1000 lb.) maximum gross trailer weight*

*When properly equipped, includes weight of trailer, cargo, passengers and equipment. All towing recommendations are subject to change. Trailer tongue load should be 10% of the maximum trailer weight but should not exceed the load rating specified for that vehicle, engine or hitch combinations. See your dealer or refer to the HHR Owner's Manual for details.

PREFERRED EQUIPMENT GROUP	LT 1SC
Bright Chrome Exterior Appearance Package – includes bright chrome grille, door handles, liftgate brow and mirror skull caps	•
Brakes – 4-wheel anti-lock braking system (ABS)	•
Fog lights	•
Sound system – 7-speaker premium Pioneer sound system with 260-watt amplifier and 10-inch rear subwoofer	•
Steering wheel – leather-wrapped with sound system, cruise and Driver Information Centre controls and leather-wrapped shifter	•
Suspension – includes Sport suspension with gas charged struts, 17" x 6.5" painted aluminum wheels (B) and P215/50R17 all-season tires	•
XM Satellite Radio[†]	•

WHEELS



A – 17" high-polished forged aluminum wheel
 B – 17" painted aluminum wheel
 C – 16" machine-faced aluminum wheel
 D – 16" bolt-on wheel cover
 E – 17" chrome finish aluminum wheel (dealer-installed accessory)

EXTERIOR COLOURS



84 Majestic Amethyst Metallic

41 Black

82 Golden Teal Metallic*

42 Dark Silver Metallic

50 Summit White

56 Sunburst Orange Metallic

63 Sport Red Metallic

15 Sandstone Metallic

67 Silverstone Metallic

37 Imperial Blue Metallic

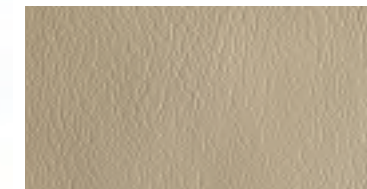
Colours may not be exactly as illustrated due to restrictions of the printing process. Please see your Sales Consultant for specific colour and model availability.

INTERIOR FABRICS



Leather Seat
142 – Gray

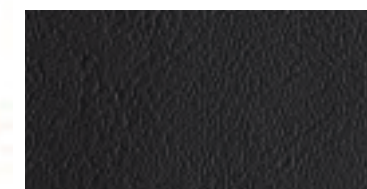
Cloth Seat
14B – Gray



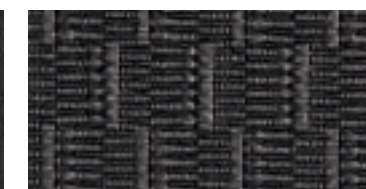
Leather 322 – Cashmere



Cloth 32B – Cashmere



Leather 192 – Ebony



Cloth 19B – Ebony

EXTERIOR/INTERIOR COLOUR COMPATIBILITY

Exterior	Interior	14 – Gray	19 – Ebony	32 – Cashmere
15 – Sandstone Metallic			•	•
37 – Imperial Blue Metallic		•	•	•
41 – Black		•	•	•
42 – Dark Silver Metallic		•	•	
50 – Summit White		•	•	•
56 – Sunburst Orange Metallic			•	•
63 – Sport Red Metallic		•	•	•
67 – Silverstone Metallic		•	•	
82 – Golden Teal Metallic*		•	•	•
84 – Majestic Amethyst Metallic		•	•	

*Not available at start of production.

THE GM WARRANTY:†

The New Vehicle Limited Warranty is your promise of total warranty protection. It applies to the first owner and all future owners of the vehicle, and covers repairs to correct vehicle defects related to materials or workmanship during the warranty period.

The warranty includes:

- 3-year/60,000 km* Base warranty coverage
- 6-year/160,000 km* rust-through perforation coverage
- 8-year/130,000 km* coverage on catalytic converters and powertrain control modules (PCMs).

†Conditions and limitations apply. *Whichever comes first.

OTHER OWNERSHIP PRIVILEGES AND PROGRAMS:†

- **Roadside Assistance** – 24/7 service via toll-free number during the Base warranty period, anywhere in Canada or the United States
- **Courtesy Transportation** – may be offered during the Base warranty period
- **GM Protection Plan (GMPP)** – the only extended services contract backed by the resources and commitment of General Motors. GMPP may be purchased at the time of your sale or lease, or subsequently during the Base warranty period†
- **GM Goodwrench Service** – with GM-certified technicians and GM-approved parts, nobody knows your GM vehicle better.

†Conditions and limitations apply.

TO HELP YOU PURCHASE OR LEASE A NEW VEHICLE:

- **GMAC Financing** – on the spot financing at your GM dealership††
- **GMAC SMARTLEASE** – a smart alternative to traditional financing††
- **GM Student Bonus Program** – GM will cover the first two purchase finance or lease payments and the lease security deposit on eligible new GM vehicles for students and recent graduates of high school, college or university†
- **The GM Card** – eligible cardholders may be able to redeem up to \$3500 on GM Card® Earnings toward the total purchase price or lease down payment on selected vehicles.† For more information on The GM Card please call 1-800-461-3279.

†Conditions and limitations apply. ††Subject to eligibility.

INFORMATION RESOURCES:

You can find more information about these programs from your GM dealer, or at these information centres:

- The GM website at gmcanada.com
- The GM customer Communication Marketing Centre at 1-800-GM-DRIVE (1-800-463-7483 or 1-800-263-3830 for TDD users)
- For information about GMAC visit gmcanada.com or call 1-800-616-4622.

A WORD ABOUT THIS BROCHURE

Some of the equipment shown or described throughout this brochure may be available at extra cost. We have tried to make this brochure comprehensive and factual. We reserve the right, however, to make changes at any time, without notice, in prices, colours, materials, equipment, specifications, models and availability. Specifications, dimensions, measurements, ratings and other numbers in this brochure and other printed materials provided at the dealership or affixed to vehicles are approximates based upon design and engineering drawings and prototypes and laboratory tests. Your vehicle may differ due to variations in manufacture and equipment. Since some information may have been adapted since the time of the printing, please check with your GM dealer for complete details. General Motors of Canada Limited reserves the right to lengthen or shorten the model year for any product, for any reason, or to start and end model years at different times.

A WORD ABOUT ASSEMBLY

GM vehicles are equipped with engines and components produced and assembled by different operating units of General Motors, its subsidiaries and suppliers and these engines and components may change or be obtained from different sources from time to time. All such engines and components are approved for use in GM vehicles. Certain equipment ordered may be unavailable at the time of assembly and we suggest that you verify that your vehicle includes the equipment you ordered, or if there are changes, that they are acceptable to you.

TRADEMARKS

The marks appearing in this brochure including, but not limited to: General Motors, GM, the GM Canada emblem, the GM Canada website address, the GM Accessories logo, Buick, Cadillac, Chevrolet, the Chevrolet emblem, GMC, HUMMER, Pontiac, Saab, Saturn, HHR, Solstice and their respective logos, emblems, slogans and vehicle model names and body

designs; and other marks such as Solar-Ray and SMARTLEASE are trademarks of General Motors Corporation and/or General Motors of Canada Limited, its subsidiaries, affiliates or licensors.

GMAC is a registered trademark of the General Motors Acceptance Corporation.

OnStar, the OnStar logo and the OnStar button are registered trademarks of the OnStar Corporation.

PASS-Key III+ and TheftLock are registered trademarks of Delphi Automotive Systems.

Radio Data System (RDS) is a registered trademark of the U.S. National Association of Broadcasters.

Pioneer is a registered trademark of Pioneer Electronics.

Apple and iPod are trademarks of Apple Computer Inc., registered in the U.S. and in other countries.

Quiet Steel is a registered trademark of Material Sciences Corporation.

The XM name and related logos are registered trademarks of XM Satellite Radio Inc.

COPYRIGHT

©Copyright 2006 General Motors of Canada Limited. All Rights Reserved. All text, images, graphics, and other materials in this brochure are subject to the copyright and other intellectual property rights of General Motors Corporation and/or General Motors of Canada Limited. These materials may not be reproduced, distributed or modified without the express written permission of General Motors Corporation and/or General Motors of Canada Limited.

Printed in Canada, July 2006.

