

07 DODGE CHARGER



CHARGER SPECIFICATIONS



3048 mm (120.0 in.)
5082 mm (200.1 in.)

1479 mm (58.2 in.)



1600 mm (63.0 in.)
1891 mm (74.5 in.)

2.7-LITRE DOHC 24-VALVE V6

Standard on SE (23E CPOS)

Power: 142 kW (190 hp) @ 6400 rpm

Torque: 258 N·m (190 lb-ft) @ 4000 rpm

3.5-LITRE HIGH OUTPUT SOHC 24-VALVE V6

Standard on SE (27E CPOS) and SXT

Power: 186 kW (250 hp) @ 6400 rpm

Torque: 339 N·m (250 lb-ft) @ 3800 rpm

5.7-LITRE HEMI® V8 WITH MULTI-DISPLACEMENT SYSTEM (MDS)

Standard on R/T and Daytona models

Power: 254 kW (340 hp) @ 5000 rpm or

Power: 261 kW (350 hp) @ 5000 rpm
(Daytona R/T, R/T Road/Track Performance Group)

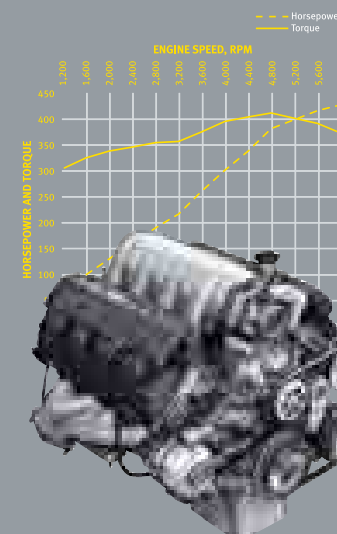
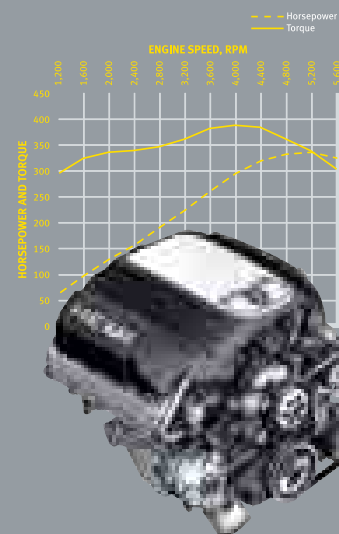
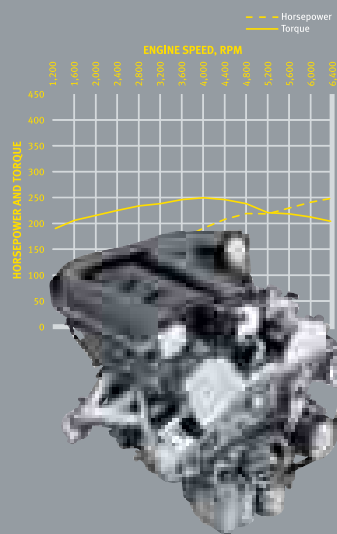
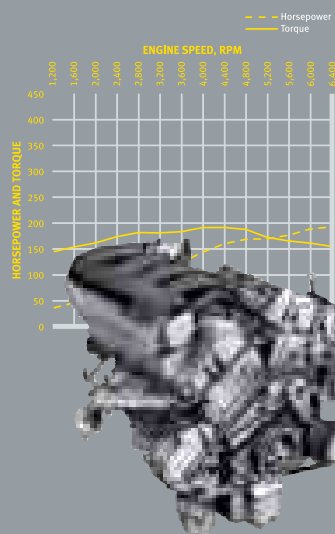
Torque: 529 N·m (390 lb-ft) @ 4000 rpm

6.1-LITRE SRT HEMI V8

Standard on the SRT8

Power: 317 kW (425 hp) @ 6000 rpm

Torque: 570 N·m (420 lb-ft) @ 4800 rpm



EXTERIOR

CHARGER SE



ALL CHARGER SE MODELS INCLUDE THESE FEATURES: › AM/FM radio with CD player including auxiliary input jack and four speakers › Accessory delay › Driver and front passenger manual lumbar support › Electroluminescent cluster technology › Enhanced battery saver › Outside temperature display › Power mirrors › Power trunklid release › Power windows (driver's one-touch down) and locks › Speed control › Electronic Stability Program (ESP™) with Brake Assist and all speed traction control › Anti-lock Brake System

CHARGER R/T



INCLUDES THE STANDARD FEATURES OF THE SXT TRIM LEVEL EXCEPT WHERE ADDITIONS ARE NOTED: › Dual exhaust with bright tips › Premium leather-faced power, heated front seats › Tire pressure monitoring › 18-inch wheels with all-season touring tires › Power adjustable pedals › Power, body colour, folding, heated exterior mirrors › Dual zone automatic temperature control

CHARGER DAYTONA R/T



INCLUDES THE STANDARD FEATURES OF THE R/T ROAD/TRACK PERFORMANCE GROUP TRIM LEVEL EXCEPT WHERE ADDITIONS ARE NOTED: › HEMI® Orange engine cover › Matching body colour accent stitching with embroidered Daytona logo on front seats › Body colour centre stack bezel, shifter and steering wheel stitching › HEMI blackout decal graphics on the hood, "Daytona" on the rear quarters and blackout rear trunklid › Black rear trunklid spoiler

CHARGER SXT



INCLUDES THE STANDARD FEATURES OF THE SE TRIM LEVEL EXCEPT WHERE ADDITIONS ARE NOTED: › 17-inch aluminum wheels › 60/40-split folding rear seatback with centre armrest › Eight-way power-adjustable driver's seat › Fog lamps › Illuminated visor mirrors › Six Boston Acoustics® speakers with 276-watt digital amplifier › Chrome grille surround

CHARGER R/T WITH ROAD/TRACK PERFORMANCE GROUP



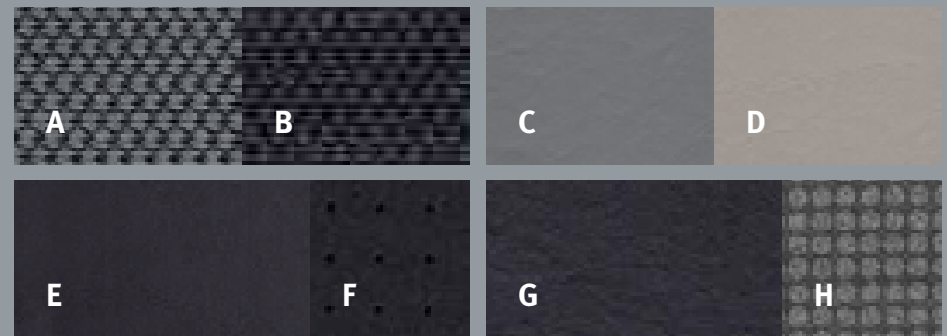
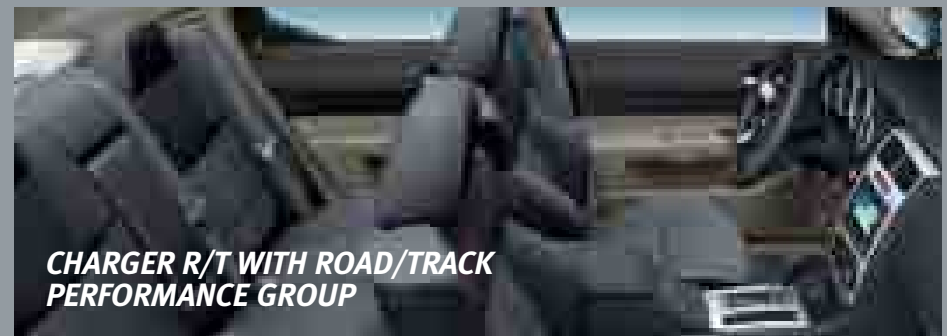
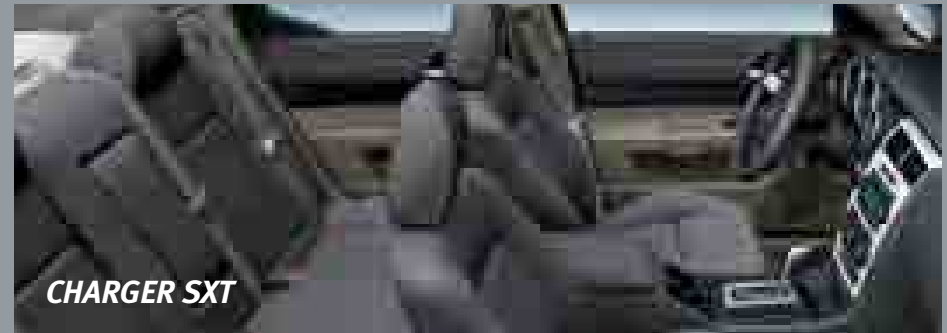
INCLUDES THE STANDARD FEATURES OF THE R/T TRIM LEVEL EXCEPT WHERE ADDITIONS ARE NOTED: › High-speed engine controller and 350 horsepower › Performance steering and suspension › Heavy-duty brakes › 20-inch wheels with all-season performance tires › Heritage R/T badging › Heated, eight-way power front low-back performance bucket seats › Automatic headlamps › Driver and front passenger one-touch auto up/down front windows › Front chin and body colour rear trunklid spoiler

CHARGER SRT8



INCLUDES THE STANDARD FEATURES OF THE R/T TRIM LEVEL EXCEPT WHERE ADDITIONS ARE NOTED: › 6.1-litre SRT HEMI® V8 engine with HEMI Orange engine block › Leather-faced seats with stud pattern Preferred Suede™ Microfibre seat inserts › Brembo® Performance four-piston brake calipers › SRT unique calibration ESP™ › Performance-tuned steering › Leather wrapped steering wheel with carbon fibre upper trim › High-performance lowered suspension › Functional hood scoop › 20-inch SRT forged aluminum wheels with high-performance tires

INTERIOR



Standard on Charger SE and SXT: A) Cloth in Medium Slate Grey or B) Cloth in Dark Slate Grey

Optional on Charger SXT and Standard on R/T: C) Leather in Light Slate Grey or D) Leather in Light Greystone

Standard on Charger R/T with Road/Track Performance Group: E) Performance Vinyl in Dark Slate Grey with F) Perforated Preferred Suede™ Microfibre inserts in Dark Slate Grey

Standard on Charger SRT8: G) Leather in Dark Slate Grey with H) Stud Pattern Embossed Preferred Suede™ Microfibre inserts in Medium Slate Grey

COLOURS/WHEELS

When it comes to colours, Charger's finish choices range from elegantly pearled to radically retro. For 2007 models, TorRed will be available for SRT8, R/T and SXT. The Daytona R/T package pulls classics like SubLime and Plum Crazy from the Dodge paint closet, which can astonish from any distance. Colour availability varies by model; see your retailer for details.



BRIGHT SILVER METALLIC



INFERNO RED CRYSTAL PEARL



MARINE BLUE PEARL



TORRED



BRILLIANT BLACK CRYSTAL PEARL



STONE WHITE



SILVER STEEL METALLIC



STEEL BLUE METALLIC



SUBLIME METALLIC



PLUM CRAZY PEARL

From the styled covers on the standard 17-inch wheels on the SE; the 17-inch machined-face alloys on the SXT; the 18-inch ultra-bright aluminum wheels on the R/T or the new 20-inch chrome-clad aluminum on the Daytona R/T and R/T with Road/Track Performance Group; straight up to the 20-inch SRT forged aluminum rims of the SRT8, Charger takes its tread-holders seriously. Build the Charger you want with *Build & Price* at dodge.ca.



17" Wheel Cover
Standard on SE



17" Machined-faced
Aluminum Wheel
Standard on SXT
Optional on SE
(late availability)



18" Ultra-bright
Aluminum Wheel
Standard on R/T,
Optional on SXT



18" Chrome-clad
Aluminum Wheel
Optional on SXT
and R/T



18" Machined-faced
Aluminum Wheel
Standard on AWD



20" Chrome-clad
Aluminum Wheel
Standard on Daytona R/T
and R/T w/Road/Track
Performance Group



20" SRT Forged
Aluminum Wheel
Standard on SRT8

CHARGER BUYER'S GUIDE

	SE	SXT	R/T	R/T ROAD/TRACK	DAYTONA R/T	SRT8
ENGINE AND TRANSMISSION						
2.7L DOHC 24V V6/4-SPEED VLP AUTOMATIC	23E					
3.5L SOHC HIGH OUTPUT 24V V6/5-SPEED AUTO/STICK™	27E	27G				
5.7L HEMI® V8 WITH MULTI-DISPLACEMENT SYSTEM/5-SPEED AUTO/STICK			29N	29N	28V	
6.1L SRT HEMI V8/5-SPEED AUTO/STICK						21X
MECHANICAL						
ALL-WHEEL DRIVE	O	O	O			
BATTERY – 730-amp, maintenance free	•	•	•	•	•	•
BRAKES – 4-wheel disc anti-lock with vented front and solid rear discs (RWD only)	•	•				
– Performance 4-wheel disc anti-lock with vented front and rear discs (included with AWD models)	P	P	•			
– Heavy-duty 4-wheel disc anti-lock with vented front and rear discs				•	•	
– High-performance 4-wheel disc anti-lock with vented 14-inch front and 13.8-inch rear discs, includes Brembo® Performance 4-piston calipers						•
ENGINE BLOCK HEATER	•	•	•	•	•	
ENGINE COOLING – Heavy-duty			•	•	•	
– Severe-duty (included with AWD models)	P	P	P			•
FUEL TANK – 68 litre (15 imp. gal.) with tethered cap (RWD only)	•	•				
– 72 litre (16 imp. gal.) with tethered cap (included with AWD models)	P	P	•	•	•	•
SPEED CONTROL – Electronic with steering column mounted controls	•	•	•	•	•	•
STEERING – Power, rack and pinion	•	•	•			
– Performance 9-land steering gear				•	•	
– Performance-tuned						•
SUSPENSION – Front independent Short/Long Arm with independent 5-link rear	•	•				
– Touring independent front and rear (included with 18" wheels and AWD models)	P	P	•			
– Performance independent front and load levelling rear with height control				•	•	
– High-performance lowered independent front and rear						•
EXTERIOR						
EXHAUST SYSTEM – Stainless steel	•	•				
– Stainless steel dual exhaust with bright tips						•
– Stainless steel performance dual exhaust with bright tips			•			
– Stainless steel high-performance dual exhaust with bright tips				•	•	
HEADLAMPS – Black bezel halogen with delay	•	•	•	•	•	•
– Automatic (included with Convenience Group III and SRT Option Group I)			P	•	•	P
– Fog lamps		•	•	•	•	•
MIRRORS – Power Black, fixed	•	•				
– Power body colour, folding, heated			•	•	•	•
MOULDING – Bodyside	O	•	•	•	•	•
SPOILER – Trunklid, body colour		O		•		•
– Trunklid, Black						•
– Front chin				•	•	
SUNROOF – Power, with one-touch open/close and vent feature		O	O	O	O	O
TIRES – P215/65R17 all-season touring (RWD only)	•	•				
– P225/60R18 all-season touring (included with 18" wheels and AWD models)	P	P	•			

EXTERIOR (CONTINUED)

	SE	SXT	R/T	R/T ROAD/TRACK	DAYTONA R/T	SRT8
TIRES (CONTINUED) – P215/65R17 all-season touring self-sealing (included with Protection Group; not available with 23E; RWD only)	P	P				
– P225/60R18 all-season touring self-sealing (included with Protection Group on 18-in. wheel and AWD models)	P	P	P			
– 245/45R20 all-season performance				•	•	
– 245/45ZR20 all-season performance						•
– 245/45ZR20, 255/45ZR20 performance						O
– Compact spare	•	•	•	•	•	
– TIREFIT System: tire sealant and electric compressor						•
WHEELS – 17" steel with bolt-on wheel covers	•					
– 17" aluminum, machined face (not available with 23E – late availability option on 27E) (RWD only)	O	•				
– 18" aluminum, ultra-bright (RWD only)		O	•			
– 18" aluminum, chrome-clad (RWD only)		O	O			
– 18" aluminum, machined face (included with AWD models)	P	P	P			
– 20" aluminum, chrome-clad				•	•	
– 20" SRT forged aluminum						•
WINDOWS – Power with driver's one-touch auto down	•	•	•			•
– Power with driver and front passenger one-touch auto up/down, and anti-pinch feature (included with Convenience Group III and SRT Option Group I)		P	P	•	•	P
WINDSHIELD WIPERS – Two-speed with variable intermittent mode	•	•	•	•	•	•
INTERIOR						
AIR CONDITIONING – Manual Temperature Control	•	•	•			•
– Automatic dual zone temperature control (included with Convenience Group III and SRT Option Group I)		P	•	•	•	P
AIR FILTRATION – Particulate air filter (included with Protection Group and SRT Option Group I; not available with 23E)	P	P	P	P	P	P
CONSOLE – Floor, with two cup holders, coin holder, CD and cell phone storage with 12V auxiliary power outlet, and rear seat heat and A/C outlets	•	•	•	•	•	•
DEFROSTER – Rear window	•	•	•	•	•	•
DOOR LOCKS – Power, speed sensitive locking, child protection rear	•	•	•	•	•	•
ELECTRONIC VEHICLE INFORMATION CENTRE (EVIC) – Reconfigurable driver-interactive up to 128-function information display with steering wheel mounted controls (included with Electronics Convenience Group)				P	P	P
FLOOR MATS – Premium carpet, front and rear	•	•	•	•	•	•
HOMELINK® UNIVERSAL TRANSCEIVER ¹⁾ – Programmable, 3-function with remote controls for garage door opener, interior/exterior home lighting or security devices (included with the Electronics Convenience Group)				P	P	P
LIGHTING – Dual front map, rear reading with theatre dimming	•	•	•	•	•	•
– Trunk lamp	•	•	•	•	•	•
MIRRORS – Rear-view, day/night	•	•	•	•	•	•
– Rear-view, auto-dimming (included with UConnect™ Hands-Free Communication System and SRT Option Group III)		P	P	P	P	P
– Visor vanity, dual covered	•					
– Visor vanity, illuminated		•	•	•	•	•
PEDALS – Power adjustable (included with Comfort Seating Group and Convenience Group I)	P	O/P	•	•	•	•
POWER ACCESSORY – 12V auxiliary power outlet located in centre console	•	•	•	•	•	•
– Delay feature	•	•	•	•	•	•

	SE	SAT	R/T	R/T ROAD/TRACK	DAYTONA R/T	SRT8
INTERIOR (CONTINUED)						
REMOTE KEYLESS/ILLUMINATED ENTRY SYSTEM – Includes 2 transmitters	•	•	•	•	•	•
SHIFT KNOB – Urethane	•					
– Leather wrapped with Satin Silver accent		•	•			
– Fully leather wrapped with Red accent stitching on SRT8 models and on Road/Track Performance Group, body colour accent stitching on Daytona models)				•	•	•
SPEEDOMETER – 220 km/h (140 mph) with electroluminescent display	•	•				
– 260 km/h (160 mph) with electroluminescent display			•	•	•	
– 300 km/h (180 mph) with electroluminescent display						•
STEERING COLUMN – Tilt/telescoping, manual	•	•	•	•	•	•
STEERING WHEEL – Urethane	•					
– Leather wrapped		•	•	•	•	
– Leather wrapped with carbon fibre style upper trim accents with Red accent stitching						•
– Steering wheel mounted audio and EVIC controls (included with Electronics Convenience Group)			P	P	P	•
TEMPERATURE DISPLAY – Outside, located in instrument cluster	•	•	•	•	•	
– Outside, with compass, located in EVIC (included with Electronics Convenience Group)			P	P	P	•
SEATING						
FABRIC – Cloth	•					
– Premium leather (included with Comfort Seating Group)		O/P	•			
– Premium vinyl with Preferred Suede™ Microfibre inserts				•	•	
– Premium leather with Preferred Suede Microfibre inserts						•
FRONT – Front low-back buckets with seatback map pockets	•	•	•			
– Front low-back performance buckets				•	•	•
– 8-way power driver's (included with Convenience Group I)	P	•				
– 8-way power driver and front passenger (included with Comfort Seating Group)		P	•	•	•	•
– Heated front (included with Comfort Seating Group and SRT Option Group I)		P	•	•	•	P
– Manual driver/front passenger adjustable lumbar	•	•	•	•	•	•
REAR – Fixed rear bench	•					
– 60/40-split folding rear bench with armrest and cup holders		•	•	•	•	•
ENTERTAINMENT						
RADIOS						
– AM/FM radio with single-disc CD player, changer controls and auxiliary audio input jack	•	•	•	•	•	•
– AM/FM radio with cassette and integrated 6-disc CD changer with MP3 capability (included with Sound Group II and SRT Option Group II)		O	O/P	O/P	O/P	P
– AM/FM radio with integrated 6-disc CD changer with MP3 capability, integrated DVD-based GPS navigation system with 5.8" display screen (included with SRT Option Group III)		O	O	O	O	P
SIRIUS™ SATELLITE RADIO – (not available with 23E – late availability)	O	O	O	O	O	
SOUND SYSTEMS – Four speakers						
– Six Boston Acoustics® speakers with 276-watt digital amplifier		•	•	•	•	•
– Six Boston Acoustics speakers with 322-watt digital amplifier and subwoofer (included with Sound Group II)			P	P	P	
– 11 SRT High-Performance KICKER™ speakers (7 locations) with a 276-watt digital amplifier and 200-watt subwoofer amplifier (included with SRT Option Group II)						P

	SE	SAT	R/T	R/T ROAD/TRACK	DAYTONA R/T	SRT8
ENTERTAINMENT (CONTINUED)						
VIDEO ENTERTAINMENT SYSTEM™ – DVD system includes 7" screen located in centre console armrest, remote control, 2 wireless headsets, and faceplate audio and video input jacks. On SRT8 model, system also includes Simulated Surround Sound and SRT High-Performance KICKER Sound System (requires AM/FM/cassette/6-disc CD or GPS navigation system)		O	O	O	O	O
SAFETY AND SECURITY						
AIR BAGS ⁽²⁾ – Advanced multistage for driver and front passenger	•	•	•	•	•	•
– Side-curtain for front and rear outboard occupants (included with Protection Group)	O/P	P	P	P	P	O
CHILD SEAT ANCHOR SYSTEM (LATCH) – Mounts for two child seats in the rear help ease the installation of compatible aftermarket child seats	•	•	•	•	•	•
ELECTRONIC STABILITY PROGRAM (ESP™) ⁽³⁾ – Includes 4-wheel anti-lock brakes with Brake Assist and all speed traction control	•	•	•	•	•	•
SECURITY ALARM – (included with Electronics Convenience Group and SRT Option Group II)			P	P	P	P
SENTRY KEY™ – Anti-theft engine immobilizer	•	•	•	•	•	•
TIRE PRESSURE MONITORING DISPLAY – Located in EVIC						•
TIRE PRESSURE MONITORING WARNING LAMP			•	•	•	
UCONNECT™ HANDS-FREE COMMUNICATION SYSTEM – Includes auto-dimming rear-view mirror (included with SRT Option Group III)		O	O	O	O	P
PACKAGES						
COMFORT SEATING GROUP – Includes leather-faced seats, 8-way power heated driver and front passenger seats, leather wrapped steering wheel and shift knob, and power adjustable pedals		O				
CONVENIENCE GROUP I – Includes 8-way power driver's seat and power adjustable pedals	O					
CONVENIENCE GROUP III – Includes automatic dual zone temperature control, automatic headlamps, driver and front passenger one-touch auto up/down front windows		O				
ELECTRONICS CONVENIENCE GROUP – Includes Electronic Vehicle Information Centre (EVIC); instrument cluster with display screen, temperature and compass gauge, traveller/mini trip computer, security alarm, steering wheel mounted audio controls and HomeLink® Universal Transceiver			O	O	O	
PROTECTION GROUP – Includes front and rear side-curtain air bags, air filtration and self-sealing tires (tires not available with Road/Track Performance Group and Daytona R/T; not available with 23E)	O	O	O	O	O	
SMOKER'S GROUP – Includes front ashtray and lighter	•	•	•	•	•	•
SOUND GROUP II – Includes AM/FM stereo radio with cassette and integrated 6-disc CD changer with MP3 capability and 6 Boston Acoustics® speakers with 322-watt digital amplifier and subwoofer				O	O	O
SRT OPTION GROUP I – Includes air filtration, automatic dual zone temperature control, heated front seats, power front windows, one-touch up/down and automatic headlamps						O
SRT OPTION GROUP II – Includes AM/FM radio with integrated 6-disc CD changer with MP3 capability, security alarm and 11 SRT High-Performance KICKER speakers						O
SRT OPTION GROUP III – Includes AM/FM radio with integrated 6-disc CD changer with MP3 capability, integrated DVD-based GPS navigation system with 5.8" display screen and auto-dimming rear-view mirror with Uconnect™ Hands-Free Communication System						O

• – Included P – Available within package noted O – Optional
⁽¹⁾Not compatible with all garage door openers. See your retailer for details. ⁽²⁾Always use seat belts. Children 12 and under should always be in a back seat correctly using an infant or child restraint system, or the seat belt properly positioned, dependent on the child's age and weight. ⁽³⁾No system, no matter how sophisticated, can repeal the laws of physics or overcome careless driving actions. Performance is limited by available traction, which snow, ice and other conditions can affect. When the ESP warning lamp in the instrument cluster flashes, the driver needs to use less throttle and adapt speed and driving behaviour to prevailing road conditions. Always drive carefully, consistent with conditions. Please always wear your seat belt.