



SOLUTIONS FOR THE WORLD YOU DRIVE IN.

At General Motors we are 100 percent committed to building vehicles that answer your specific needs. Because you demand more of your vehicle than ever before, we're committed to putting more of what you want into every vehicle we make.

VALUE

Value means much more than simply the price you pay for a vehicle. We are particularly proud of the value you receive for your money when you choose a General Motors vehicle – the unique combination of style, performance, safety, quality and functionality that sets GM's diverse model lineup apart from the rest.

QUALITY

If you're looking for a vehicle that's built to exceptionally high standards, look no further than GM's long list of quality and dependability awards, media accolades and consumer recommendations – as well as the fact that GM builds the most dependable, longest-lasting full-size pickups on the road.*

SAFETY

General Motors is the only automotive manufacturer committed to offering a full range of cars, trucks and SUVs that provide safety protection before, during and after a collision. In addition, GM builds 26 vehicles that have earned U.S. Government five-star frontal or side crash test ratings for 2006 models.**

FUEL ECONOMY

We know how important fuel efficiency is today. GM has it covered by offering more cars that get better than 7.0 L/100 km or 40 mpg in highway† driving than any other automaker in Canada. In addition, GM offers 15 models with Active Fuel Management™ fuel-saving technology – and 17 models that can run on E85 ethanol fuel.

INNOVATIVE DESIGNS

It required ingenuity to bring utility and dramatic style together in the Chevrolet HHR. And it required pure creativity to execute the flawless lines and purposeful design of the Pontiac Solstice open-air roadster. At GM, we break the mould to develop new designs that give you more range of selection than ever before.

FEATURES

GM keeps you ahead of the curve, by adding the features that really make a difference to your driving experience. Features like OnStar – the first comprehensive in-vehicle communications and assistance service. And XM Satellite Radio – the largest satellite radio provider in the world – that's now offered on more than 50 GM vehicles.

*Dependability based on longevity; 1988–July 2005 full-size Chevrolet and GMC light-duty pickup registrations, including chassis cabs. Sources: R.L. Polk Canada, Inc. National Vehicle Population Profile – Canadian Vehicles in Operation as of July 1, 2005. Based on % of vehicles remaining in operation, weighted on age of vehicle.
**U.S. Government ratings are part of the National Highway Traffic Safety Administration's (NHTSA's) New Car Assessment Program (safercar.gov).
†Based on Natural Resources Canada's 2006 Fuel Consumption Guide's rating available at time of printing.
™© 2005, VANOC. Used under License.

CHEVROLET PONTIAC BUICK GMC SATURN HUMMER SAAB CADILLAC

gmcanada.com



PONTIAC WAVE



FEEL PLAYFUL

2007



FEEL PLAYFUL

CATCH THE WAVE. IT'S WHERE THE FUN IS. Remember when you were a kid? How you had so much energy you could play all day long? And how you were so light on your feet, you could run circles around the grownups?

Get ready to feel that way all over again. Wave 5-door and the new Wave Sedan are here, and they've got a playful spirit like nothing else out there.

Wave is fun on wheels, with an easy-driving feel that will put a smile on your face and keep you coming back for more. There's lots of power from the standard 1.6 litre DOHC engine. Nimble handling, too, thanks to power rack-and-pinion steering and a new Euro-tuned suspension. Wave transports you in style, with a no-charge power sunroof on Wave SE models and a new Wi Special Edition Package that includes an Apple iPod Nano. And since it's always more fun to have your friends around, Wave has room for you and four of your favourite people.

Wave. Come out and play.

For more information about Wave, visit our website at wave.gmcanada.com

PONTIAC  **IGNITE THE FEELING**





WAVE 5-DOOR

THIS IS GONNA BE GOOD. If Wave 5-door had a tail, it would be wagging. This is a car that's up for a good time whenever you are, with a lively look and trim exterior proportions that are ideal for slicing through the urban jungle. Wave 5-door lets you bring your favourite toys along too, with up to 1190 L (42 cu. ft.) of cargo space inside.

WAVE SEDAN

A WHOLE NEW WAY TO PLAY. For 2007, there's a cool new Wave Sedan with two distinct sides to its personality.

On the one hand, the new Wave Sedan is all grown up. Handsome lines, sophisticated details and premium materials are everywhere you look.

Fire up the lively 103 horsepower DOHC engine, though, and that irresistible Wave attitude comes alive. The standard five-speed manual transmission has a light, precise feel that will have you changing gears for the sheer pleasure of it. Or, if you prefer, there's an available four-speed automatic that can look after the shifting while you enjoy Wave Sedan's agile handling and confidence-inspiring highway ride.

Wave Sedan. It's a whole new way to have fun.

Wave SE models include the convenience and superior visibility of heated power exterior mirrors.



Fog lights are available on Wave Sedan and standard on 5-door models.



INTERIOR

BRING THE GANG. How did we do it, you'll wonder. How did our designers pack such a roomy interior into such a trim and tidy exterior? The answer is smart design. A taller than average roofline helps. So do raised seats that offer everyone an excellent view. Those clever design touches – along with a host of others like them – pay off in one of the most spacious interiors in Wave's class.

And the Wave team didn't just concentrate on maximizing space. We also worked on delivering a higher level of comfort for you and your friends. Wave's seats are accommodating and supportive, and the ride is quiet and controlled. Wave SE models go a step further, with amenities like power windows, power door locks, a CD stereo and a no-charge power sunroof.

Equip your new Wave with the available Wi Special Edition Package and you'll enjoy a premium 6-speaker sound system, steering wheel audio controls and an Apple iPod Nano*, among other features.

*Visit wave.gmcanada.com for details.



On Wave SE models, the no-charge power glass sunroof* adds an extra touch of driving pleasure. It's an available feature on Base models.

*See dealer for details



Wave 5-door interior, shown in Graphite with available equipment.

INTERIOR FEATURES:

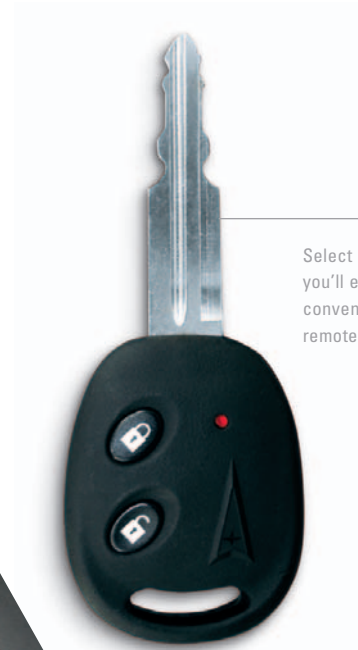
- Reclining front bucket seats with shopping bag hooks, driver's lumbar support and front passenger seatback pocket
- 60/40 split-folding rear seatbacks
- Floor console with storage and cupholders
- Rear-seat heat ducts
- Tilt adjustable steering column
- 12-volt auxiliary power outlet
- Dual frontal air bags with Passenger Sensing System
- AM/FM stereo system, CD player with MP3 playback, auxiliary audio input jack and 4-speaker sound system.
- Wi Special Edition Package available.

CONTROLS

MORE TO ENJOY. When you're in the mood to have fun, Wave's driver's seat is the place to be.

In true Pontiac fashion, all the gauges and controls are positioned just where you want them when you're having a good time on your favourite road. Wave also surrounds you with rich, high-quality materials, and the design integrates all the components together into a satisfying whole. The cabin is accented by brushed silver trim and chrome highlights that add a little bling to Wave's style.

Put it all together and you've got a driving environment that gives you more to enjoy. And that's always a good thing.



Select a Wave SE model and you'll enjoy the added convenience of remote keyless entry.



The available 4-speed automatic transmission includes a Hold button that adds a measure of manual-style control.



VERSATILITY

WHAT'S ON THE AGENDA TODAY? Life is full of exciting new opportunities. We designed Wave to help you make the most of all of them.

Wave's interior is flexible enough to rise to just about any occasion. In its normal configuration, it has room for you and up to four of your friends, along with 200 L (7.1 cu. ft.) of gear in Wave 5-door – 350 L (12.4 cu. ft.) in the new Wave Sedan. Want to carry fewer passengers and more stuff? Fold down one side or the other of the standard 60/40 divided rear seatbacks. Need even more capacity? With both seatbacks folded, Wave 5-door's cargo hold measures a whopping 1190 L (42.0 cu. ft.).

Bottom line: whatever you've got planned, Wave is up for it.

With its standard 60/40 divided rear seat fully stowed, Wave 5-door can handle more cargo than the trunk of a full-size sedan.



In rain, sleet and snow, Wave 5-door's standard liftgate-mounted wiper/washer helps you see what's happening behind you.

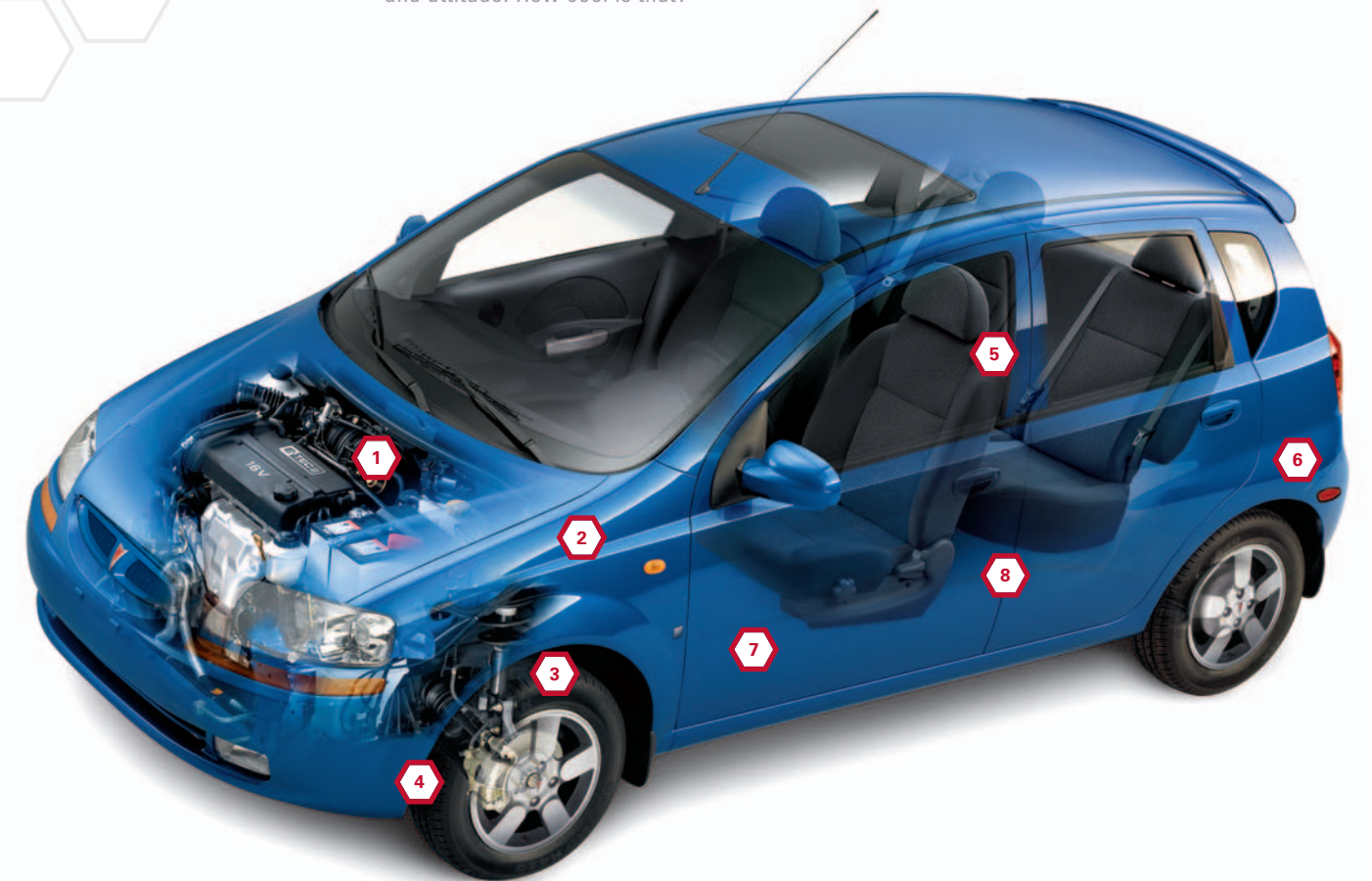


Wave features 60/40 split-folding rear seatbacks that increase the interior's flexibility for handling both passengers and cargo.



TECHNOLOGY

THE FOUNDATION OF THE FUN. Because every Wave is a Pontiac, it should come as no surprise that its playful personality is the product of some of today's best automotive ideas. From bumper to bumper and roof to road, the Wave engineering team applied advanced technology to enhance Wave's performance, road manners, comfort, safety – and attitude. How cool is that?



1. 1.6L DOHC I-4 ENGINE

With outputs of 103 horsepower and 107 lb.-ft. of torque, the Wave engine delivers great performance. A variable-geometry intake system helps boost torque at low speeds, for improved acceleration.

2. 2-SIDED GALVANIZED STEEL BODY PANELS

To help maintain Wave's good looks over the long haul, every body panel except the roof is made of corrosion-resistant 2-sided galvanized steel.

3. AVAILABLE 4-WHEEL ABS

The available anti-lock braking system (ABS) helps you maintain steering control, even during emergency braking. It includes electronic brake force distribution, which increases the overall efficiency of the braking system for shorter stops.

4. FRONT-WHEEL DRIVE

Wave's front-wheel-drive powertrain contributes to safe, predictable handling and superior traction in slippery conditions. Its compact design even results in more room in the interior.

5. FRONT SAFETY BELT PRE-TENSIONERS

Special devices, called pre-tensioners, are integrated into Wave's front-seat shoulder belts. In the event of a collision, they immediately pull the belts tight so they can protect you better.

6. HEAVY-DUTY EXHAUST

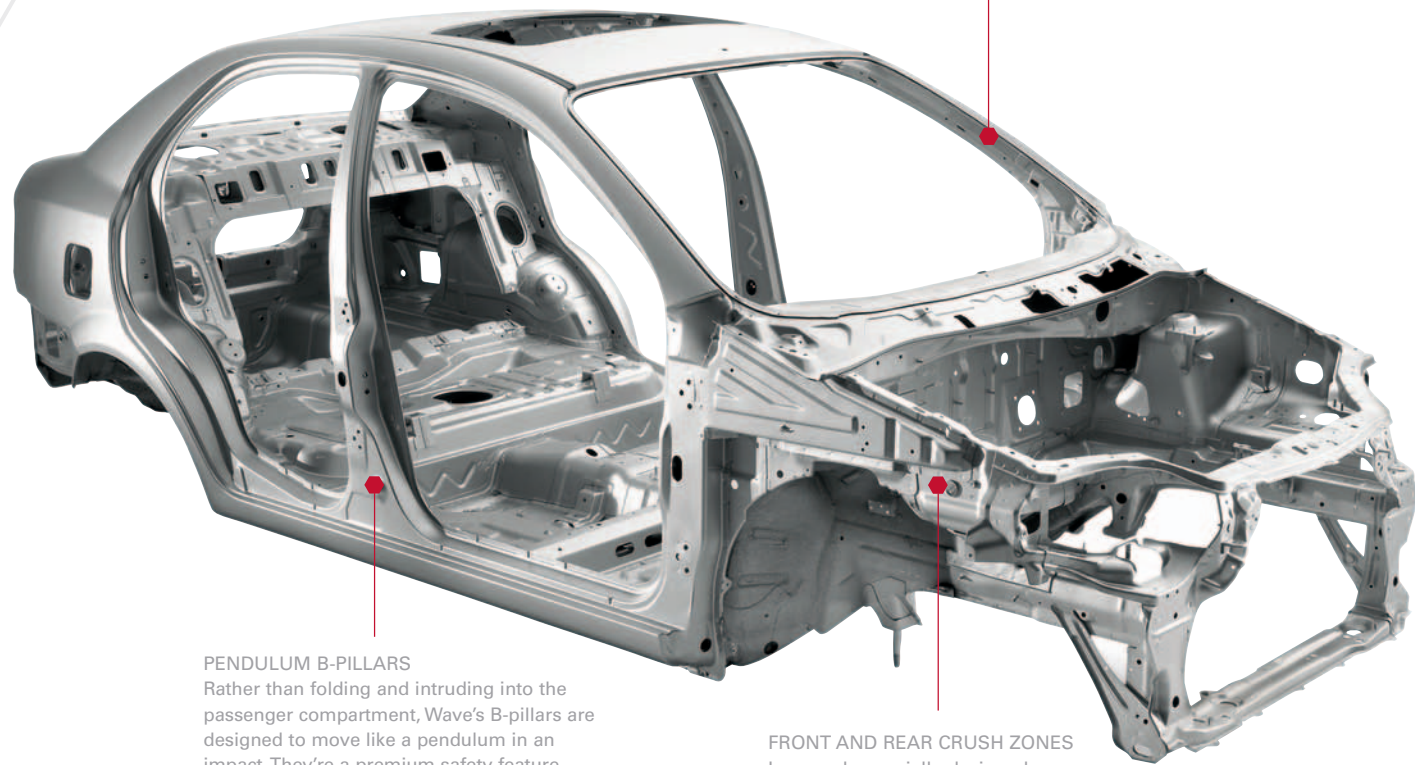
Wave's exhaust system is fabricated from heavy-duty steel, for a long life.

7. HIGH-STRENGTH STEEL

Almost 50 percent of the structural components in the Wave body are made of high-strength steel, for excellent quality, durability and impact protection.

8. QUALITY FIT AND FINISH

Wave is a very well-built car. For proof, take a look at the tight, consistent gaps separating the exterior body panels.



SAFETY CAGE CONSTRUCTION
Wave surrounds you and your passengers with a sturdy steel safety cage engineered to help resist deformation in a collision.

PENDULUM B-PILLARS
Rather than folding and intruding into the passenger compartment, Wave's B-pillars are designed to move like a pendulum in an impact. They're a premium safety feature usually found only on larger, more expensive vehicles.

FRONT AND REAR CRUSH ZONES
In a crash, specially designed structures at the front and rear crumple in a controlled manner, absorbing energy before it can reach the passenger compartment.

PROTECTION

TIME TO GET SERIOUS. Fun is what Wave is all about. But rest assured, there's no playing around when it comes to safety.

Every Wave offers excellent visibility, logical controls, agile handling and sure stopping power – all characteristics that help you avoid collisions when at all possible. There's also Wave's advanced steel body structure, which includes a number of features designed to protect you in a crash.

Steel side-guard beams in every door help to keep objects outside the car, where they belong. Then there's Wave's interior, which protects you and your passengers with dual frontal air bags and a host of other features.

Serious stuff? Absolutely. At Pontiac, we wouldn't treat your safety any other way.



ACCESSORIES

DRESS IT TO THE NINES. Have even more fun in your Wave with carefully selected GM Accessories. GM Accessories are the only accessories that are integrated into the process of designing your vehicle, ensuring excellent fit, finish and functionality. And only GM Accessories are backed by GM's 3-year/60,000 km New Vehicle Limited Warranty.* They can also be included in your new-vehicle lease or finance agreement through GMAC. Ask your dealer for a complete list of the GM Accessories available for your Wave. Or visit gmcanada.com

Genuine GM Accessories for Wave include:

- Splash guards
- Moulded hood protector
- Front end cover
- Roof-mounted ski and bicycle carriers
- Side-window weather deflectors
- All-weather floor mats
- Spoiler
- Chrome door handles
- Sunroof wind deflector.

*Whichever comes first, when permanently installed by the dealer at the time you purchase or lease your new vehicle.



PONTIAC WAVE SPECIFICATIONS

SAFETY AND SECURITY	4-DR/5-DR BASE	4-DR/5-DR SE
Air bags – dual-stage, driver and front-passenger, frontal with Passenger Sensing System	S	S
Air bags – driver and front-passenger, seat-mounted side-impact	0 ¹	0 ¹
Brake/transmission shift interlock (automatic transmission only)	S	S
Door locks – rear door, child-security	S	S
Headlights – Daytime Running Lights, warning-on-system	S	S
Keyless entry system – remote with alarm	–	S
Safety belts – front shoulder, height-adjustable with pre-tensioners	S	S
Safety restraints – LATCH (Lower Anchors and top Tethers for Children), rear seats	S	S
Security Package – includes driver and front-passenger seat-mounted side-impact air bags and 4-wheel anti-lock braking system (ABS)	0	0

MECHANICAL	4-DR/5-DR BASE	4-DR/5-DR SE
Brakes – power, front disc/rear drum	S	S
Brakes – 4-wheel anti-lock braking system (ABS)	0 ¹	0 ¹
Drive – front wheel	S	S
Engine – 1.6L DOHC I-4 with MFI Horsepower – 103 @ 6000 rpm; Torque – 107 lb.-ft. @ 3600 rpm	S	S
Engine block heater	S	S
Exhaust system – heavy-duty	S	S
Steering – power, rack-and-pinion	S	S
Suspension – front MacPherson strut/rear torsion beam	S	S
Transmission – 5-speed manual	S	S
Transmission – 4-speed automatic with overdrive and Hold Control ²	0	0

EXTERIOR	4-DR/5-DR BASE	4-DR/5-DR SE
Fog lights	–/S	S/S
Glass – tinted windshield top band	S	S
Liftgate – rear liftgate	–/S	–/S
Lights – Euro-style side marker repeater lights	S	S
Mirrors – left and right manual remote	S	–
Mirrors – power remote control, heated	–	S
Spoiler – rear liftgate	–/0	–/0
Spoiler – trunk-mounted	0/–	0/–
Sunroof – power, sliding glass panel	0	0
Tires – P185/60R14 all-season	S	S
Wheels – 14" x 5.5" steel with bolt-on wheel covers (A)	S	S
Wheels – 15" x 6" aluminum wheels (B), includes P185/55R15 all-season tires	0 ³	0
Windshield wipers – 2-speed with fixed delay	S	S
Wiper/washer – rear-window	–/S	–/S
Wi Special Edition Package⁴ – includes 15" x 6" aluminum wheels (B) with P185/55R15 all-season tires, rear liftgate spoiler (5-door) or rear trunk-mounted spoiler (4-door), 6-speaker premium sound system, steering wheel-mounted audio controls and Apple iPod Nano (visit wave.gmcanada.com for details)	0	0

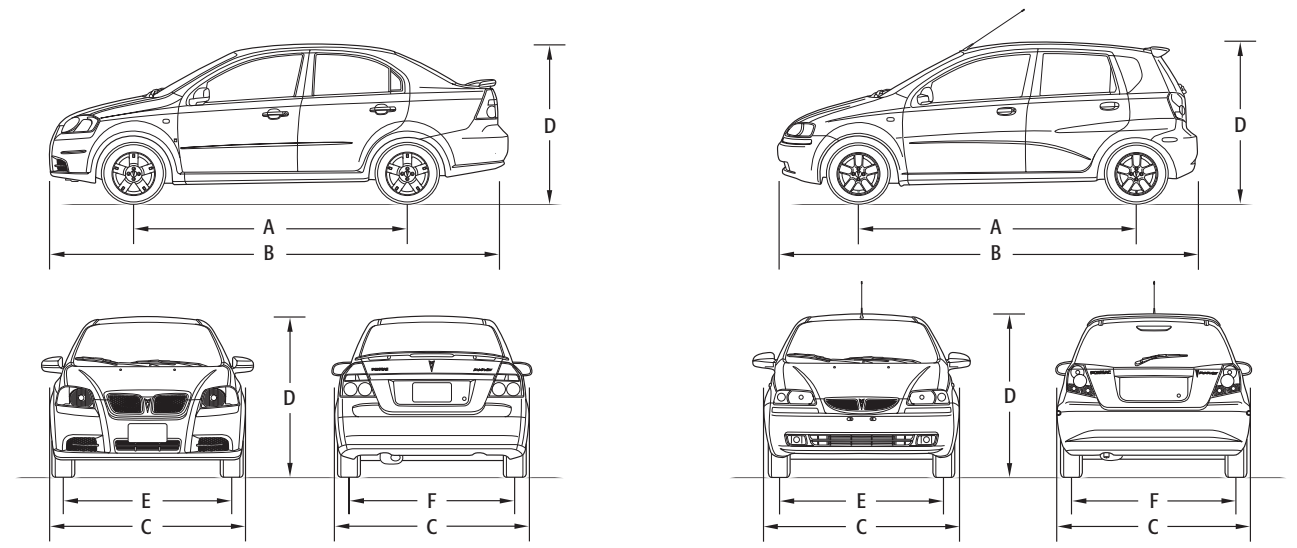
INTERIOR	4-DR/5-DR BASE	4-DR/5-DR SE
Accents – Silver-painted	–	S
Air conditioning – manual, includes rear-window defogger timer	0	S
Assist grips – front-passenger and rear outboard	S	S
Auxiliary power outlet – 12-volt, centre console	S	S
Clock – digital	S	S
Console – front floor with storage and cupholders	S	S
Cruise control – electronic with resume, coast and decelerate/accelerate features	–	S
Defogger – electric rear-window	S	S
Door locks – power	–	S
Driver foot rest	S	S
Driver's seat armrest	S	S
Floor mats – front and rear, carpeted	S	S
Fuel door – release, manual remote	S	S
Heat ducts – rear seat, floor	S	S
Instrumentation – analogue cluster with metallic accents (includes speedometer, tachometer, coolant temperature and fuel gauge)	S	S
Light – dome	S	S
Steering column – tilt adjustable	S	S
Sunshades – LH and RH; vanity mirrors	S	S
Trunk – release, manual remote	S/–	–
Trunk – release, push-button remote	–	S/–
Windows – power	–	S
Smoker's Package – includes ashtray and lighter	S	S

SEATS	4-DR/5-DR BASE	4-DR/5-DR SE
Cloth reclining front bucket seats with height-adjustable head restraints, shopping bag hooks and passenger seatback pocket	S	S
Driver seat – manual height and lumbar adjusters	S	S
Seatback – rear, 60/40 split-folding	S	S

SOUND SYSTEMS	4-DR/5-DR BASE	4-DR/5-DR SE
All Wave sound systems include an electronically tuned AM/FM stereo with seek, scan and 4-speaker sound system		
AM/FM stereo, CD player with MP3 playback and auxiliary audio input jack	S	S
AM/FM stereo, 6-disc in-dash CD changer with MP3 playback and auxiliary audio input jack	0	0

¹ Requires Security Package.
² Includes brake/transmission shift interlock.
³ Included with Wi Special Edition Package.
⁴ Wi badges and iPod Nano to be shipped separately.
 S – Standard, 0 – Optional individually or in combination with other optional equipment.

DIMENSIONS



EXTERIOR, mm (in.)	4-D00R	5-D00R
Wheelbase (A)	2480 (97.6)	2480 (97.6)
Length (B)	4310 (169.7)	3880 (152.8)
Width (C)	1710 (67.3)	1670 (65.7)
Height (D)	1505 (59.3)	1495 (58.9)
Front tread (E)	1450 (57.1)	1450 (57.1)
Rear tread (F)	1430 (56.3)	1410 (55.5)

INTERIOR, mm (in.) front/rear	4-D00R	5-D00R
Headroom	998/955 (39.3/37.6)	998/955 (39.3/37.6)
Legroom	1048/898 (41.3/35.4)	1048/898 (41.3/35.4)
Shoulder room	1362/1340 (53.6/52.8)	1362/1340 (53.6/52.8)
Hip room	1310/1340 (51.6/52.8)	1310/1340 (51.6/52.8)

CAPACITIES/WEIGHT	4-D00R	5-D00R
Cargo, L (cu. ft.)		
– rear seats up	350 (12.4)	200 (7.1)
– rear seats down	–	1190 (42.0)
Fuel tank, L (imp. gal.)	45 (9.9)	45 (9.9)
Curb weight (est.), kg (lb.)	1148 (2531)	1065 (2348)

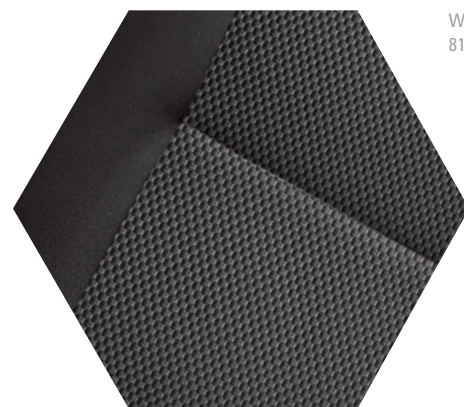
WHEELS



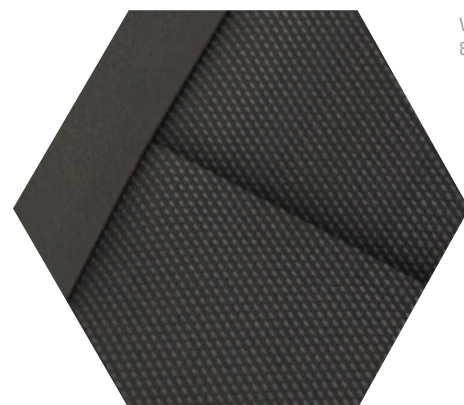
FABRICS

EXTERIOR/INTERIOR COLOUR COMPATIBILITY

▼ Exterior	Interior ►	81 – Graphite
04 – Urban Gray		•
05 – Misty Blue		•
06 – Flame Red		•
11 – Galaxy White		•
33 – Sports Blue		•
54 – Sunset Orange		•
71 – Super Red		•
87 – Pearl Black		•
92 – Poly Silver		•



Wave 5-door Cloth
81C – Graphite



Wave Sedan Cloth
81B – Graphite

EXTERIOR COLOURS

Colours may not be exactly as illustrated due to restrictions of the printing process. Please see your Sales Consultant for specific colour and model availability.



04 – Urban Gray



05 – Misty Blue



06 – Flame Red



11 – Galaxy White



33 – Sports Blue



54 – Sunset Orange



71 – Super Red



87 – Pearl Black



92 – Poly Silver

THE GM WARRANTY:¹

The New Vehicle Limited Warranty is your promise of total warranty protection. It applies to the first owner and all future owners of the vehicle, and covers repairs to correct vehicle defects related to materials or workmanship during the warranty period.

The warranty includes:

- 3-year/60,000 km* Base warranty coverage
- 6-year/160,000 km* rust-through perforation coverage
- 8-year/130,000 km* coverage on catalytic converters and powertrain control modules (PCMs).

¹Conditions and limitations apply. *Whichever comes first.

EXTENDED POWERTRAIN LIMITED WARRANTY:²

Every Pontiac Wave is also covered by a special Powertrain Limited Warranty with no deductible for 5 years or 100,000 km.* So you can count on your Pontiac Wave for much more than its styling and engineering – today, and down the road.

²Conditions and limitations apply. *Whichever comes first.

OTHER OWNERSHIP PRIVILEGES AND PROGRAMS:³

- **Roadside Assistance** – 24/7 service via toll-free number during the Base warranty period, anywhere in Canada or the United States
- **Courtesy Transportation** – may be offered during the Base warranty period
- **GM Protection Plan (GMPP)** – the only extended services contract backed by the resources and commitment of General

Motors, GMPP may be purchased at the time of your sale or lease, or subsequently during the Base warranty period⁴

- **GM Goodwrench Service** – with GM-certified technicians and GM-approved parts, nobody knows your GM vehicle better. ⁵Conditions and limitations apply.

TO HELP YOU PURCHASE OR LEASE A NEW VEHICLE:

- **GMAC Financing** – on the spot financing at your GM dealership⁶
- **GMAC SMARTLEASE** – a smart alternative to traditional financing⁷
- **GM Student Bonus Program** – GM will cover the first two purchase finance or lease payments and the lease security deposit on eligible new GM vehicles for students and recent graduates of high school, college or university⁸
- **The GM Card** – eligible cardholders may be able to redeem up to \$3500 on GM Card⁹ Earnings toward the total purchase price or lease down payment on selected vehicles. ¹⁰For more information on The GM Card please call 1-800-461-3279. ¹¹Conditions and limitations apply. ¹²Subject to eligibility.

INFORMATION RESOURCES:

You can find more information about these programs from your GM dealer, or at these information centres:

- The GM website at gmcanada.com
- The GM Customer Communication Marketing Centre at 1-800-GM-DRIVE (1-800-463-7483 or 1-800-263-3830 for TDD users)
- For information about GMAC visit gmcanada.com or call 1-800-616-4622.

A WORD ABOUT THIS BROCHURE

Some of the equipment shown or described throughout this brochure may be available at extra cost. We have tried to make this brochure comprehensive and factual. We reserve the right, however, to make changes at any time, without notice, in prices, colours, materials, equipment, specifications, models and availability. Specifications, dimensions, measurements, ratings and other numbers in this brochure and other printed materials provided at the dealership or affixed to vehicles are approximates based upon design and engineering drawings and prototypes and laboratory tests. Your vehicle may differ due to variations in manufacture and equipment. Since some information may have been adapted since the time of the printing, please check with your GM dealer for complete details. General Motors of Canada Limited reserves the right to lengthen or shorten the model year for any product, for any reason, or to start and end model years at different times.

A WORD ABOUT ASSEMBLY

GM vehicles are equipped with engines and components produced and assembled by different operating units of General Motors, its subsidiaries and suppliers and these engines and components may change or be obtained from different sources from time to time. All such engines and components are approved for use in GM vehicles. Certain equipment ordered may be unavailable at the time of assembly and we suggest that you verify that your vehicle includes the equipment you ordered, or if there are changes, that they are acceptable to you.

TRADEMARKS

The marks appearing in this brochure including, but not limited to: General Motors, GM, the GM Canada emblem, the GM Canada website address, the GM Accessories logo, Buick, Cadillac, Chevrolet, Pontiac, the Pontiac emblem, GMC, HUMMER, Saab, Saturn, HHR, Solstice, Wave, and their respective logos, emblems, slogans and vehicle model names and body designs; and other marks such as Hold Control and SMARTLEASE are trademarks of General Motors Corporation and/or General Motors of Canada Limited, its subsidiaries, affiliates or licensors.

GMAC is a registered trademark of the General Motors Acceptance Corporation.

Apple and iPod are trademarks of Apple Computer, Inc., registered in the U.S. and in other countries.

COPYRIGHT

©Copyright 2006 General Motors of Canada Limited. All Rights Reserved. All text, images, graphics, and other materials in this brochure are subject to the copyright and other intellectual property rights of General Motors Corporation and/or General Motors of Canada Limited. These materials may not be reproduced, distributed or modified without the express written permission of General Motors Corporation and/or General Motors of Canada Limited.

Printed in Canada, July 2006.

