



2017 CLS

Muscle meets masterpiece.

Mercedes-Benz

The best or nothing.





Trendsetting design

Since its inception, the CLS has wrapped advanced innovation in a sleek shape that thrusts fashion forward. By welcoming its four passengers through four inviting doors featuring sleek frameless glass, it sparked a trend throughout the industry. And with its muscular stance and brilliant details, as well as an available new Night Package, its presence is more captivating than ever.



Finely crafted 4-seat cabin

The exquisitely crafted CLS cabin is designed not just to fit you and your passengers, but to suit you. Four individual seats are divided by a full-length centre console. Supple leather, handcrafted wood and elegant details envelop a suite of attentive, intuitive, and enjoyable technologies, such as multicolour ambient lighting. It's a feeling of total connectedness—and complete escape.



18" and 19" alloy wheels

Generously sized and precisely engineered alloy wheels combine impeccable handling with undeniable style. The CLS 550 4MATIC features standard 18" wheels. Options include 19" AMG wheels. For the Mercedes-AMG CLS 63 S 4MATIC, standard 19" AMG wheels are ideally suited to the handling prowess of the AMG Performance 4MATIC all-wheel drive.



Advanced LED lighting

With brilliant LED lighting, the CLS makes a strong first impression. Standard Active Multibeam LED headlamps generate light that's perceived more like natural daylight, and adapt to curves and traffic ahead automatically. The sweeping LED taillamps combine eye-opening brilliance with eye-catching style.



COLLISION PREVENTION ASSIST PLUS

Radar-based technology alerts you if you're approaching a vehicle ahead at a speed and distance that suggest a collision is likely. In addition to alerting the driver, its Adaptive Brake Assist with autonomous braking can also initiate braking automatically, to help prevent a collision or reduce its severity.



Intelligent Drive

From the open road to a parking spot, the groundbreaking options of Intelligent Drive help make driving safer and smoother. DISTRONIC PLUS with Steering Assist adapts your cruising speed to the traffic flow and gentle curves in the road. Available Active Lane Keeping Assist, as well as Passive or Active Blind Spot Assist, all look out for you on multilane roads. A 360° camera gives you a live birdseye view all around your car. And Active Parking Assist can park the car hands-free.



Indulgent seating

Intuitive controls help the driver and front passenger find their ideal seating positions with 14-way power adjustment, including power lumbar support, and a 3-position memory system. Standard heating can be made even more indulgent with Climate Comfort ventilation. A Drive-Dynamic multicontour driver seat offers custom-tailored support and a soothing massage. For the rear cabin, each seat is individually contoured and accessed via its own door.



COMAND Online navigation with MB Apps

Featuring a high-resolution 8" colour display and intuitive console controller, the COMAND system conveniently unites audio, video and hands-free calling. It also integrates a standard navigation system with vivid 3D maps, advanced voice control, and a variety of Internet-based MB Apps. New Apple CarPlay™ and Android Auto link your iPhone or Android phone to your car, so you can make calls, hear or dictate text messages, navigate to a destination, stream music and podcasts, and more.



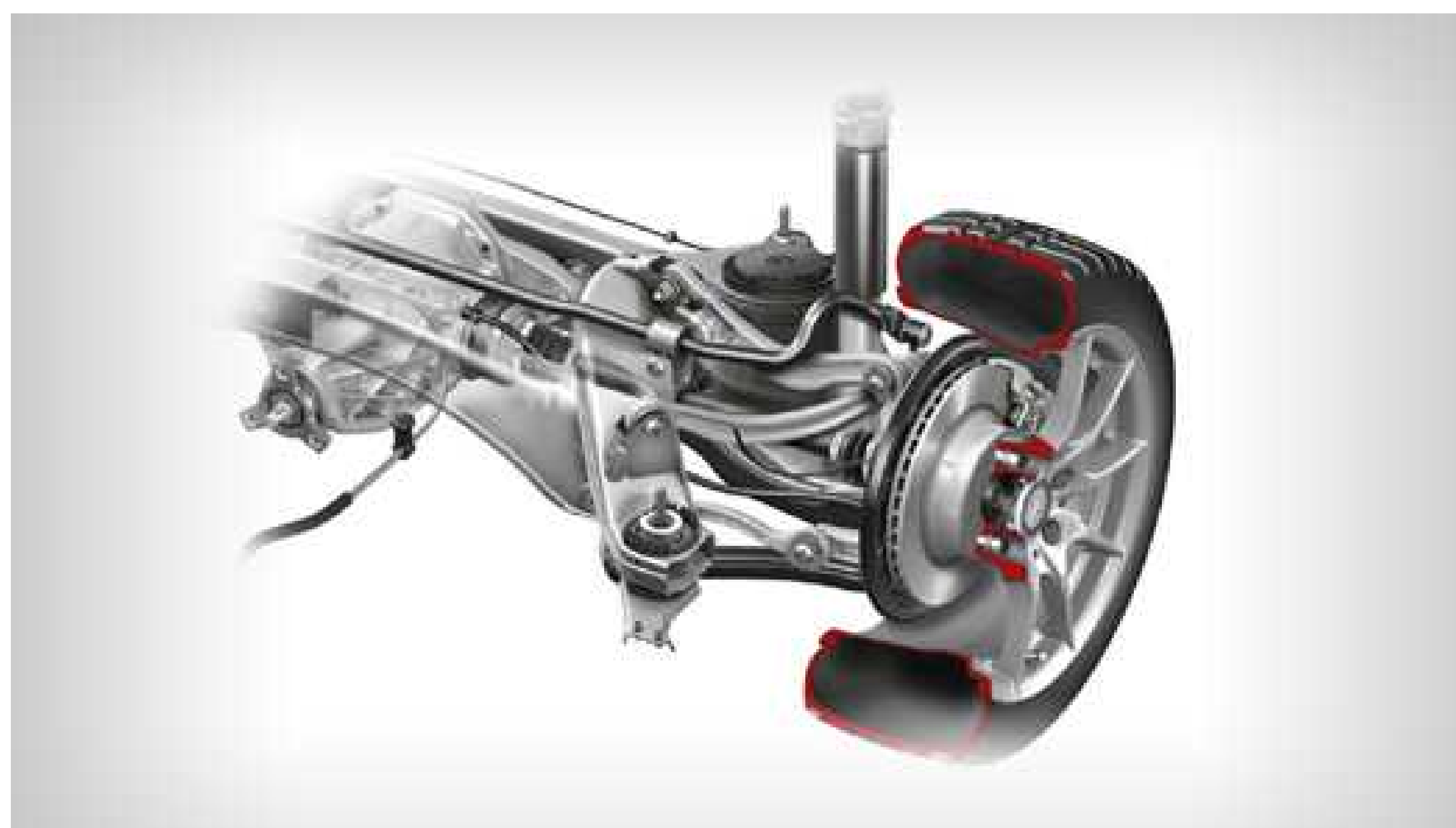
Two surround-sound options

Specifically engineered for the CLS are an available 610-watt, 14-speaker harman/kardon LOGIC7® sound system and a superlative 1,400-watt, 14-speaker Bang & Olufsen Performance Surround Sound system that's available on the CLS 550 4MATIC and Mercedes-AMG CLS 63 S 4MATIC. Listening options include SiriusXM™ Radio, Bluetooth® wireless audio streaming and more.



Direct Injection engines

Two biturbo engines — a 402-hp V-8, and a handcrafted 577-hp AMG V-8 — enlist numerous advances to deliver more torque from less gasoline. Rapid-multispark ignition and high-pressure Direct Injection can fine-tune their response with millisecond speed. An ECO Start/Stop system helps save fuel and emissions. The CLS 550 4MATIC pairs its V-8 with a state-of-the-art 9-speed automatic transmission.



Advanced suspensions

Every CLS features a nimble 4-wheel multilink suspension. On the CLS 550 4MATIC, semi-active AIRMATIC suspension automatically selects one of four damping profiles for each of its air spring-struts with each wheel's every movement. Sport and Comfort and 4-wheel level control are also included. The Mercedes-AMG CLS 63 S 4MATIC features a specially calibrated steel-spring front setup with auto-levelling rear air suspension.



4MATIC all-wheel drive

From winter's wrath to a challenging corner, 4MATIC all-wheel drive adds to your driving confidence on any road, in any season. Its 4-wheel Electronic Traction System continually sends power to the wheels with the best grip, while its lightweight, nimble design enhances handling and fuel-efficiency year-round. On the Mercedes-AMG CLS 63 S, AMG Performance 4MATIC transfers power to pavement like never before.



Handcrafted by racers

Racing-bred style and power only start to tell the story of the Mercedes-AMG CLS 63 S 4MATIC. Its AMG Performance 4MATIC all-wheel drive gives it the ability to dole out its 577 handcrafted horsepower more brilliantly via all four tires. It brings new meaning to the phrase “gripping performance.” And it does it quite beautifully.



577-hp AMG biturbo V-8

Advanced, racing-derived technology rushes to the streets in a Mercedes-AMG CLS 63 S 4MATIC. Direct Injection, a pair of high-rpm turbos and patented NANOSLIDE® cylinder walls conspire to create 577 hp and 590 lb-ft of pavement-trembling torque. And in the AMG tradition, each V-8 is handcrafted by its own master engine builder.



Performance in every detail

From its AMG-developed suspension, brakes and steering to its bespoke cabin appointments, each Mercedes-AMG CLS 63 S 4MATIC is crafted to connect car and driver with road and track. Aluminum, carbon fiber and Nappa leather are forged, formed and stitched not merely into a high-powered automobile but into an experience that expresses a 48-year performance legacy in as little as 3.6 seconds.

Avantgarde Edition Package

Premium luxury and convenience features that you'll soon consider must-haves.

Standard on all models / Package contents vary by model



Active Lane Keeping Assist

Included only on Mercedes-AMG CLS 63 S 4MATIC

Active Lane Keeping Assist monitors ordinary road markings and helps detect unintended drifting off course. The system alerts you by vibrating the steering wheel. If the driver continues to drift, it can apply the brake to a single rear wheel to help guide the car back into its lane.



Rearview camera

Standard on CLS 63 S AMG 4MATIC

For a better view of what's directly behind your vehicle when reversing, a wide-angle camera displays a live view on the in-dash COMAND screen. Active parking guidelines on the screen help you back into a parking space.



harman/kardon LOGIC7 surround sound system

Standard on Mercedes-AMG CLS 63 S 4MATIC

With 14 speakers and 610 watts of rich, full audio, the LOGIC7® system is specifically engineered for the CLS. Dolby® Digital 5.1 surround-sound technology delivers a wholly immersive listening experience.



Heated rear seats

Included on CLS 550 4MATIC and Mercedes-AMG CLS 63 S 4MATIC

Electrically heated rear seats offer soothing warmth with individualized comfort. Three levels of warming automatically step down after several minutes, while automatic shutoff means the driver need not worry if the passengers forget to turn them off.

Avantgarde Edition Package cont.

Premium luxury and convenience features that you'll soon consider must-haves.

Standard on all models / Package contents vary by model



EASY-PACK power trunk closer

For added convenience in the rain or with an armful of packages, you can fully open the trunk via a switch on the driver's interior door panel or a button on the SmartKey remote. Press a button on the driver's door or the underside of the trunklid, and it powers itself closed. A sensor automatically stops the lid if it detects an obstruction while closing.



KEYLESS-GO

Originally pioneered by Mercedes-Benz, KEYLESS-GO lets you unlock your car and drive off without removing the SmartKey from your pocket or purse. A touch of any exterior door handle unlocks and locks the car, and you start the engine with just the push of a button in the dash.



Drive-Dynamic multicontour driver seat

Included on CLS 550 4MATIC / Standard on Mercedes-AMG CLS 63 S 4MATIC

Adjustable side, lumbar and shoulder supports let you custom-tailor your seating comfort. A massage feature helps prevent fatigue on longer drives, with settings ranging from gentle to refreshingly vigorous. Active side bolsters can automatically increase lateral support when cornering—or even in the event of a potential accident.



AMG rear spoiler

Included on CLS 550 4MATIC / Standard on Mercedes-AMG CLS 63 S 4MATIC

A subtle, color-keyed lip-type rear spoiler adds sporty punctuation to the sleek shape of the CLS. It's also functional, with a wind-tunnel-developed shape designed to increase downforce at the rear wheels when traveling at higher speeds.

Avantgarde Edition Package cont.

Premium luxury and convenience features that you'll soon consider must-haves.

Standard on all models / Package contents vary by model



Climate Comfort front seats

Included only on CLS 550 4MATIC / Standard on Mercedes-AMG CLS 63 S 4MATIC

By gently circulating air through perforations in the leather, Climate Comfort seats help keep you cooler and your clothes drier during warmer months. Three levels of heating and cooling ventilation are offered. On cold or damp days, using the ventilation and heating features together can circulate the seat heating more quickly, to help keep you warm and dry.



Power rear-window sunshade

Included only on CLS 550 4MATIC / Standard on Mercedes-AMG CLS 63 S 4MATIC

Help shade the cabin—and your rear-seat passengers—from direct sunlight with a fine-mesh screen that rises in front of the rear window at the touch of a button. Its see-through design helps preserve your rearward vision while it keeps the sun's rays at bay.



Illuminated door sill panels

Included only on CLS 550 4MATIC / AMG illuminated door sills standard on Mercedes-AMG CLS 63 S 4MATIC

Illuminated logos in the front door sills welcome you into your CLS every time you open a front door.



360° camera

Included only on Mercedes-AMG CLS 63 S 4MATIC / Available as a standalone option on CLS 550 4MATIC

The 360° camera is actually four digital cameras, with their view in all four directions composed into a single, live overhead view of your immediate surroundings. Displayed on the in-dash screen during low-speed manoeuvres, it helps you avoid obstacles as you negotiate tight spaces, whether you're moving forward or backing up.

Avantgarde Edition Package cont.

Premium luxury and convenience features that you'll soon consider must-haves.

Standard on all models / Package contents vary by model



Active Blind Spot Assist

Included only on Mercedes-AMG CLS 63 S 4MATIC / Available in Intelligent Drive Package on CLS 550 4MATIC

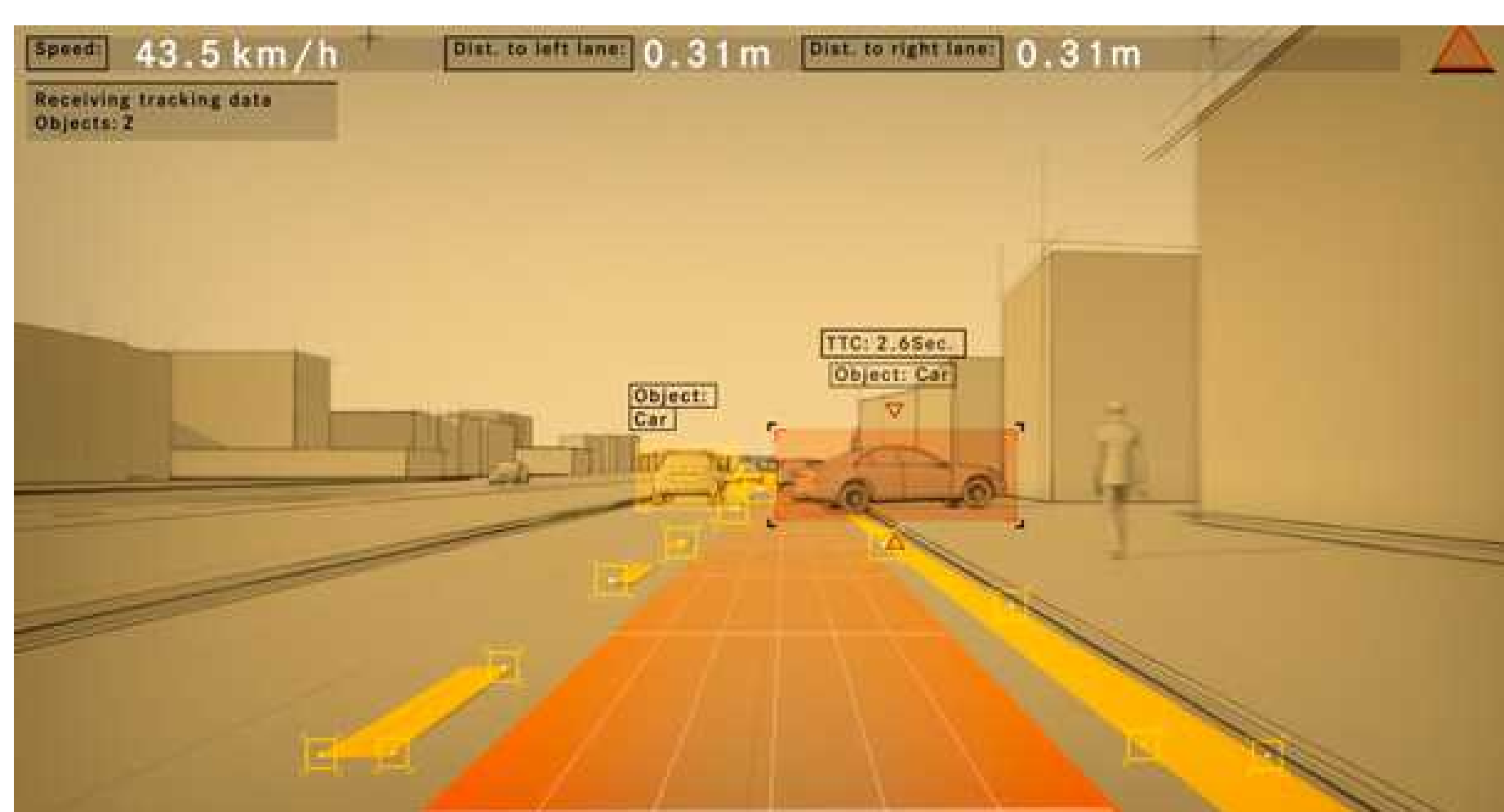
At speeds above 30 km/h, radar technology helps sense when a vehicle enters your blind-spot area. The system alerts you by illuminating a red icon in the side mirror. Active Blind Spot Assist also issues an audible warning if you activate a turn signal while a vehicle has been detected. And if you begin to change lanes, advanced active technology can help guide the car back.



DISTRONIC PLUS with Steering Assist

Included only on Mercedes-AMG CLS 63 S 4MATIC / Available in Intelligent Drive Package on CLS 550 4MATIC

This radar-based cruise control adapts your set speed to the flow of traffic ahead, automatically slowing until your path is clear again. If the vehicle ahead slows to a stop, DISTRONIC PLUS can brake your car to a full halt, then automatically resume when traffic starts moving. A Steering Assist feature helps the driver keep the vehicle centred in its lane while cruising on straight roads or in gentle curves.



BAS PLUS with Cross-Traffic Assist

Included only on Mercedes-AMG CLS 63 S 4MATIC / Available in Intelligent Drive Package on CLS 550 4MATIC

Even when you're not using the cruise control functions of DISTRONIC PLUS, Cross-Traffic Assist helps detect a potential collision with vehicles approaching from either side of an intersection ahead and alerts the driver. As soon as the driver starts to brake, BAS PLUS precisely applies the maximum brake pressure needed to help avoid a collision.



PRE-SAFE Brake

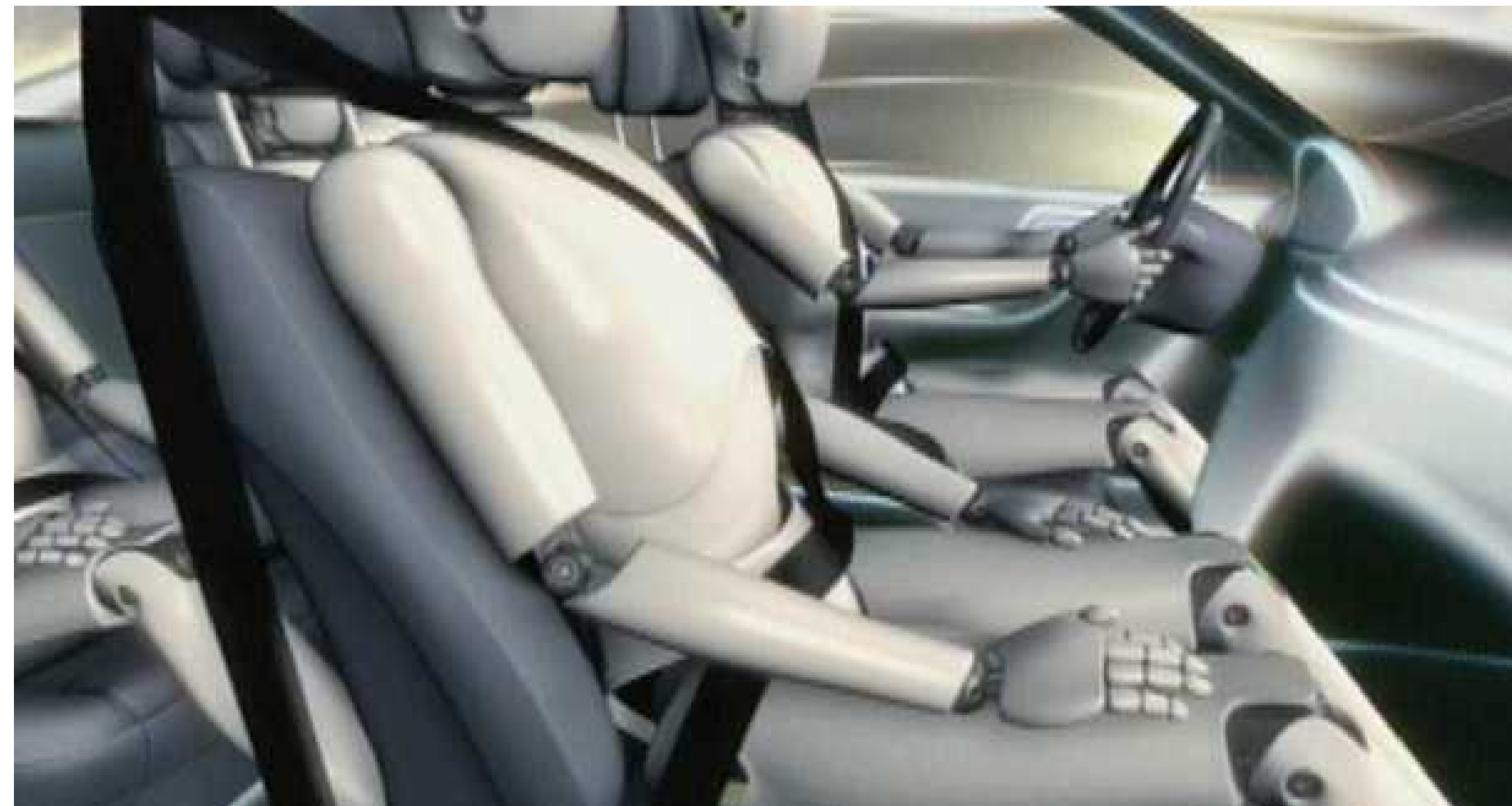
Included only on Mercedes-AMG CLS 63 S 4MATIC / Available in Intelligent Drive Package on CLS 550 4MATIC

Even when you're not using the cruise control functions of DISTRONIC PLUS, PRE-SAFE Brake can help detect an impending collision with a vehicle ahead and automatically apply up to 100% braking force to help reduce the severity of impact. It also teams with the Cross-Traffic Assist and Pedestrian Recognition features in the same manner.

Avantgarde Edition Package cont.

Premium luxury and convenience features that you'll soon consider must-haves.

Standard on all models / Package contents vary by model



PRE-SAFE PLUS with rear-impact protection

Included only on Mercedes-AMG CLS 63 S 4MATIC / Available in Intelligent Drive Package on CLS 550 4MATIC

An enhancement to the groundbreaking PRE-SAFE system helps protect the occupants in a rear-end collision. A radar sensor in the rear bumper helps detect an impending impact, engaging the features of PRE-SAFE to better prepare the front-seat occupants and their restraint systems. It can also firmly apply and hold the brakes, to help reduce peak loads on all occupants—as well as the risk of a secondary collision.

Night Package

Bold contrast for your CLS, with Gloss Black accents for the wheels and key body elements.

Available on CLS 550 4MATIC



18" AMG 5-spoke bicolour wheels

A deep black finish covers the five pairs of thin spokes, the outer rim and all of the wheel surfaces, for a dramatic effect. On all models, the rear wheels and tires are wider than their counterparts at the front axle, for more surefooted acceleration while maintaining crisp steering feedback.



Exterior elements in Gloss Black

A Gloss Black motif sets off numerous exterior components in high-contrast style. The front air-dam splitter, the crosswing trim in the grille, the side mirrors and the rear valance are all rendered in this deep, lustrous finish.

AMG Night Package

Gloss Black accents take your Mercedes-AMG CLS 63 S 4MATIC to the dark side.

Not available with AMG Carbon Fibre Exterior Mirrors



Gloss Black exterior accents

Subtle and mysteriously alluring, the Night Package renders the front air dam's "A-wing" design, the side sill inserts and side window frames in dramatic high-gloss black.



Gloss Black side mirror caps

The side mirrors further express the drama of the Mercedes-AMG CLS 63 S 4MATIC with their gloss black finish.

Intelligent Drive Package

Innovations for added security and convenience on the road.

Available on CLS 550 4MATIC / Included in Avantgarde Package on Mercedes-AMG CLS 63 S 4MATIC



DISTRONIC PLUS with Steering Assist

This radar-based cruise control adapts your set speed to the flow of traffic ahead, automatically slowing until your path is clear again. If the vehicle ahead slows to a stop, DISTRONIC PLUS can brake your car to a full halt, then automatically resume when traffic starts moving. A Steering Assist feature helps the driver keep the vehicle centred in its lane while cruising on straight roads or in gentle curves.



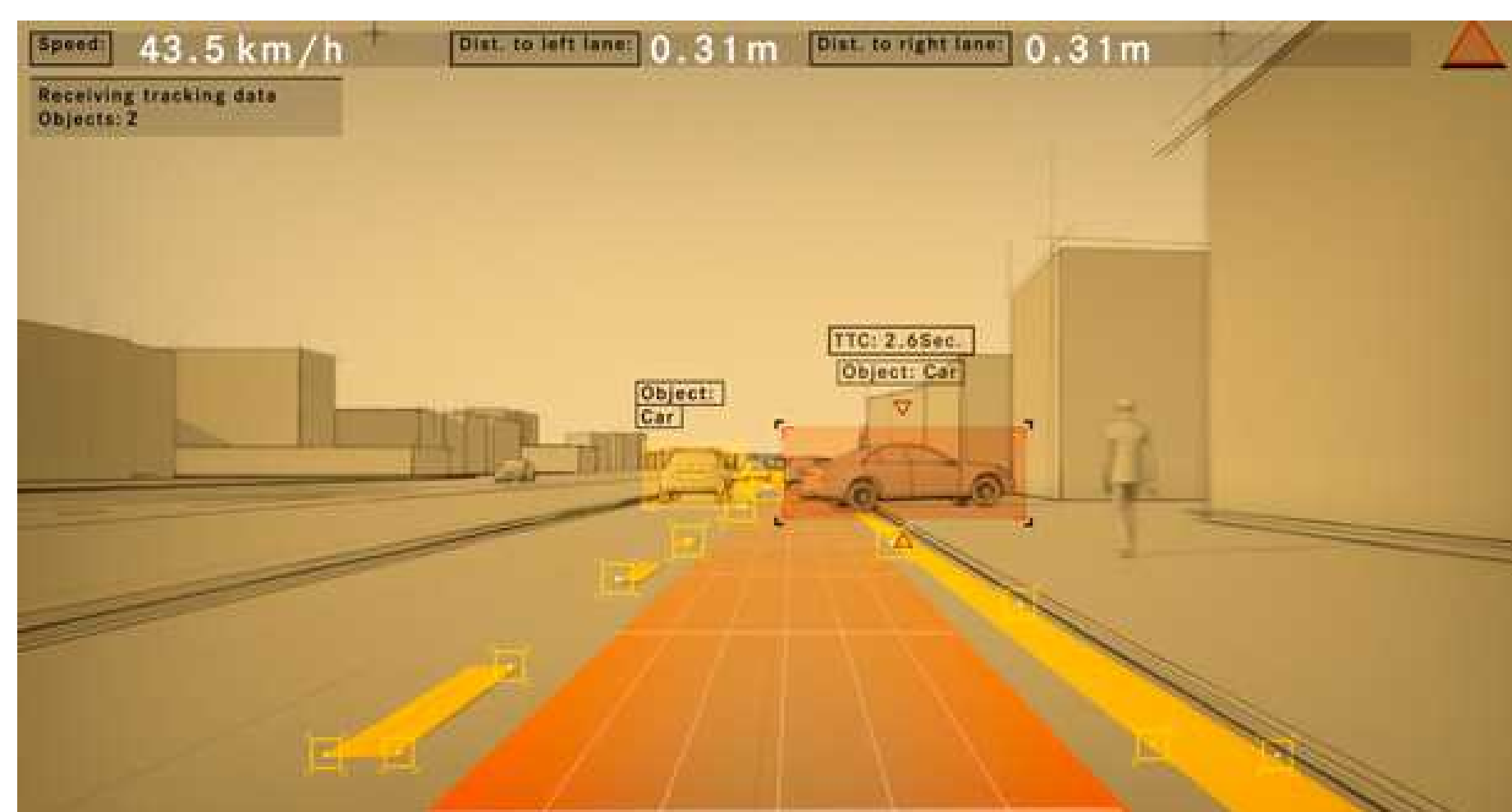
Active Blind Spot Assist

At speeds above 30 km/h, radar technology helps sense when a vehicle enters your blind-spot area. The system alerts you by illuminating a red icon in the side mirror. Active Blind Spot Assist also issues an audible warning if you activate a turn signal while a vehicle has been detected. And if you begin to change lanes, advanced active technology can help guide the car back.



Active Lane Keeping Assist

Active Lane Keeping Assist monitors ordinary road markings and helps detect unintended drifting off course. The system alerts you by vibrating the steering wheel. If the driver continues to drift, it can apply the brake to a single rear wheel to help guide the car back into its lane.



BAS PLUS with Cross-Traffic Assist

Even when you're not using the cruise control functions of DISTRONIC PLUS, Cross-Traffic Assist helps detect a potential collision with vehicles approaching from either side of an intersection ahead and alerts the driver. As soon as the driver starts to brake, BAS PLUS precisely applies the maximum brake pressure needed to help avoid a collision.

Intelligent Drive Package cont.

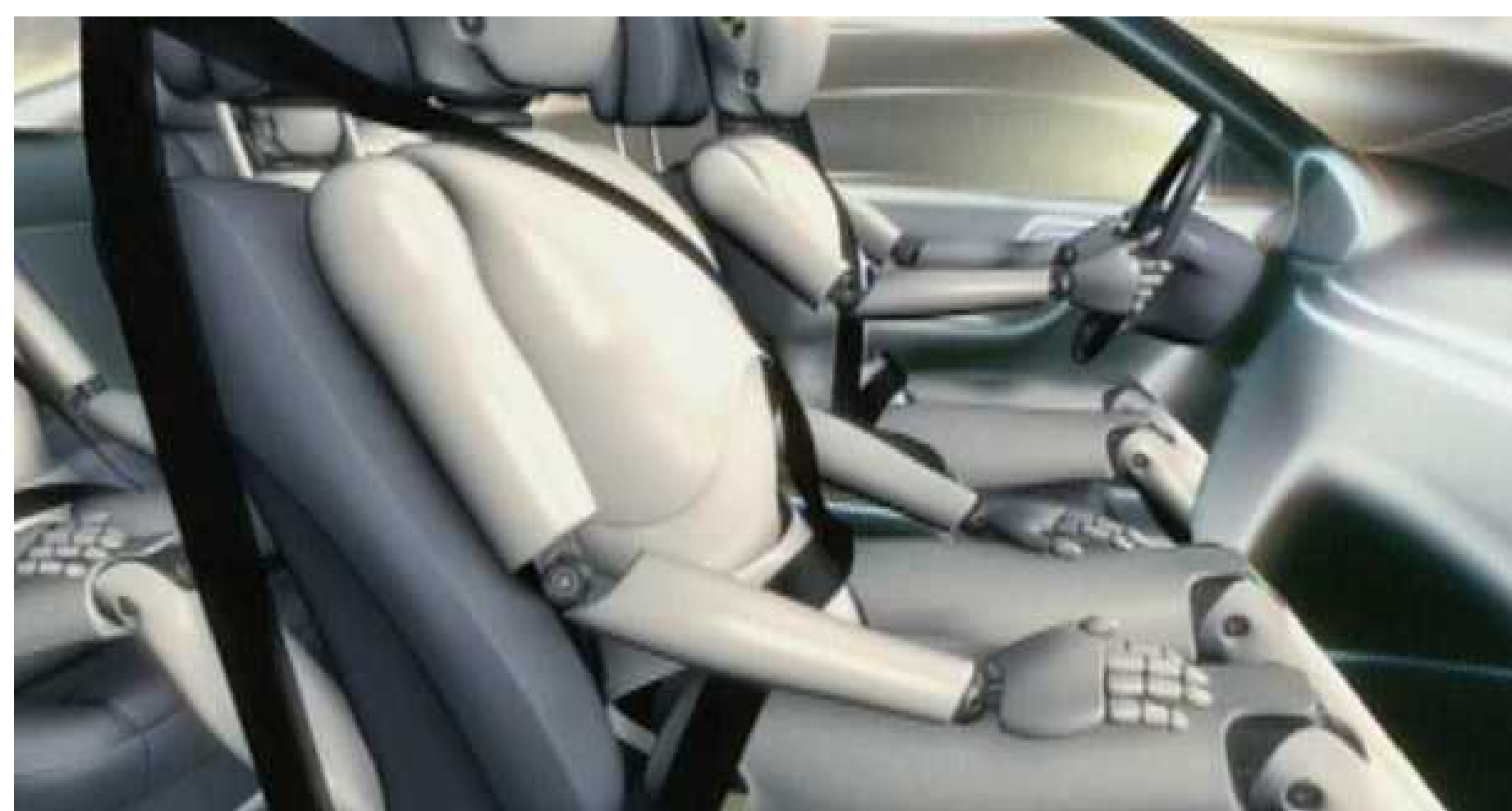
Innovations for added security and convenience on the road.

Available on CLS 550 4MATIC / Included in Avantgarde Package on Mercedes-AMG CLS 63 S 4MATIC



PRE-SAFE Brake

Even when you're not using the cruise control functions of DISTRONIC PLUS, PRE-SAFE Brake can help detect an impending collision with a vehicle ahead and automatically apply up to 100% braking force to help reduce the severity of impact. It also teams with the Cross-Traffic Assist and Pedestrian Recognition features in the same manner.



PRE-SAFE PLUS with rear-impact protection

An enhancement to the groundbreaking PRE-SAFE system helps protect the occupants in a rear-end collision. A radar sensor in the rear bumper helps detect an impending impact, engaging the features of PRE-SAFE to better prepare the front-seat occupants and their restraint systems. It can also firmly apply and hold the brakes, to help reduce peak loads on all occupants—as well as the risk of a secondary collision.

Standalone Options

Make your CLS your own by choosing from a selection of innovative, thoughtfully designed and thoroughly engineered options.



360° camera

Available only on CLS 550 4MATIC / Included in Avantgarde Package on Mercedes-AMG CLS 63 S 4MATIC

The 360° camera is actually four digital cameras, with their view in all four directions composed into a single, live overhead view of your immediate surroundings. Displayed on the in-dash screen during low-speed manoeuvres, it helps you avoid obstacles as you negotiate tight spaces, whether you're moving forward or backing up.



19" AMG multi-spoke bi-colour alloy wheels

Available only on CLS 550 4MATIC

The ultrathin spokes of these 19" AMG wheels are set off by gloss black inlays, a dramatic expression of the powerful precision of the CLS. Staggered-width summer performance tires are included.



19" AMG twin 7-spoke bi-colour wheels

Available only on CLS 550 4MATIC

Racing-proven AMG alloy wheels feature seven machined-finished sets of twin spokes, set off by a high-sheen black finish in between. They're fitted with staggered-width summer performance tires.



19" AMG multi-spoke alloy wheels

Available only on CLS 550 4MATIC

The ultrathin spokes of these 19" AMG wheels express the turbocharged power of the CLS. Staggered-width summer performance tires are included.

Standalone Options cont.

Make your CLS your own by choosing from a selection of innovative, thoughtfully designed and thoroughly engineered options.



Climate Comfort front seats

Available only on CLS 550 4MATIC / Included in Avantgarde Package on Mercedes-AMG CLS 63 S 4MATIC

By gently circulating air through perforations in the leather, Climate Comfort seats help keep you cooler and your clothes drier during warmer months. Three levels of heating and cooling ventilation are offered. On cold or damp days, using the ventilation and heating features together can circulate the seat heating more quickly to help keep you warm and dry.



Bang & Olufsen performance surround-sound system

System substantially reduces trunk capacity

With 14 high-performance speakers including two illuminated Acoustic Lens tweeters, the BeoSound™ system delivers 1,400 total watts of 7.1-channel surround sound from two amplifiers. Reproduction quality is exceptional at every seat, yet very little sound is audible outside the car. The system also elevates the cabin's aesthetic with its aluminum speaker grilles and Acoustic Lens tweeters.



designo DINAMICA roof liner

Available only on CLS 550 4MATIC / Standard on Mercedes-AMG CLS 63 S 4MATIC

With the rich texture and elegant look of suede yet far easier care, DINAMICA adds an aura of refined luxury to the ceiling and roof pillars.



19" AMG cross-spoke wheels (Matte Black)

Available only on Mercedes-AMG CLS 63 S 4MATIC

Y-shaped spokes and lug-concealing center caps are finished in menacing matte black, leaving only a thin perimeter of polished aluminum to set off the low-profile high-performance tires, and virtually disappearing against the artful—and powerful—brake hardware.

Standalone Options cont.

Make your CLS your own by choosing from a selection of innovative, thoughtfully designed and thoroughly engineered options.



AMG Carbon Ceramic Brake System

Available only on Mercedes-AMG CLS 63 S 4MATIC

Specially developed for extreme performance conditions, carbon-fibre-reinforced ceramic discs enhance endurance and braking distances during extreme driving. Larger 402-mm front discs elevate braking force but are 40% lighter. Bronze-painted calipers wear “AMG Carbon Ceramic” logos.



Carbon fibre exterior mirrors

Available only on Mercedes-AMG CLS 63 S 4MATIC / Not available with Night Package

Genuine carbon fibre expresses the racing pedigree of AMG in the side mirror caps. Includes carbon fibre spoiler.

Mercedes-Benz Genuine Accessories

Exclusively engineered to fit your car and your life, they're the best way to make your CLS unmistakably yours while keeping it genuinely Mercedes-Benz.



Car care products

Keep the interior and exterior of your vehicle looking their best with our exclusive, specially formulated interior and exterior car care kits.



Cargo area tray

Protect your cargo-area carpeting with this durable, easy to clean plastic insert with 2" sides. Custom-formed to fit the cargo area of your vehicle.



Navigation update

Owning a navigation system is one thing. Keeping it up to date is another. Mercedes-Benz map update software keeps your maps and Points of Interest current with the latest information.



Wheel upgrades

Choose from a wide selection of stunning wheels to accentuate your style.

Mercedes-Benz Genuine Accessories cont.

Exclusively engineered to fit your car and your life, they're the best way to make your CLS unmistakably yours while keeping it genuinely Mercedes-Benz.



Roof accessories

Roof carrier bars allow for a variety of add-on accessories to be mounted to your vehicle. Choose from a ski/snowboard holder, roof box or bike rack. Carrier bars and add-ons sold separately.



Winter wheel & tire packages

Winter wheels and tires can play a major role in your safety and your vehicle's handling and performance on icy, snow-covered roads. Winter tires offer increased traction in harsh conditions and can reduce stopping distance by up to three car lengths.



Style and Travel Series

These elements attach behind the front head-restraint posts, and are simple to fit and remove. The modular system centers on a base support that can be combined with the product of your choice – universal hook, coat hanger or folding table.

CLS 550 4MATIC



Power
@ 5,000-5,750 rpm **402** hp

Torque
@ 1,600-4,750 rpm **443** lb-ft

Acceleration
0-100 km/h **4.8** sec

Engine		4.7L biturbo V-8 with ECO Start/Stop
Power/torque		402 hp / 443 lb-ft
Acceleration	0-100 km/h	4.8 sec
Fuel economy	city/hwy	13.6/9.4 L/100 km
Suspension		Semi-active AIRMATIC
Wheels		18" AMG 5-spoke

Mercedes-AMG CLS 63 S 4MATIC



Power
@ 5,500 rpm **577** hp

Torque
@ 2,000-4,500 rpm **590** lb-ft

Acceleration
0-100 km/h **3.6** sec

Engine		5.5L biturbo V-8 with ECO Start/Stop
Power/torque		577 hp / 590 lb-ft
Acceleration	0-100 km/h	3.6 sec
Fuel economy	city/hwy	15.1/10.8 L/100 km
Suspension		AMG Adaptive Sport Suspension
Wheels		19" AMG cross-spoke