



**The new Passat.  
Changing things changes things.**

## **We rethought everything.**

From big stuff like the engine to more intimate details like brake-disc wipers. We found new ways to make the Passat fun to drive and added unique features you can only get from Volkswagen. But with all that thinking and rethinking going on, we also discovered a few curious side effects we thought you should know about.







# 1

## **Be on the lookout for paparazzi-types.**

The Passat's sleek lines and agile silhouette make quite an impression. And even though you're probably not looking for any extra attention, you're about to get some. Because the new Passat is longer and wider than before, it has an aggressive stance that's sure to turn heads. And because it's laser-welded to create tighter gaps and improved aerodynamics, well, let's just say folks might start hiding in the bushes to get a closer look. To ensure your privacy, we suggest pulling your new Passat into the garage whenever possible.

Steering-adaptive Bi-Xenon headlamps





These smart headlights turn slightly as your car turns to illuminate the road ahead. (left)



Easy-to-see LED taillights

Rain-sensing windshield wipers



#### MORE RED-CARPET FEATURES

- Heated side mirrors
- Anti-theft wheel locks
- 17-inch alloy wheels
- Integrated fog lamps
- Trunk release integrated into rear badge

Features shown may be optional. Consult features and specifications for details.

# 2

## **Passengers may never go home again.**

It can be nice to have friends along for the ride. But when you've got 63 1/2-mm of extra rear legroom and split rear folding seats, your guests may never want to leave. And with reading lights and heatable front seats, who can blame them for wanting to stay? When the need for alone-time strikes, we suggest reminding your passengers about that time in college when you almost drove your old car off the highway drag racing your brother. Then raise your eyebrows and rev the engine.





60/40 split rear folding seat with armrest



1

2

3



## MAKE-YOURSELF-COMFORTABLE FEATURES

- 1 Instrumentation panel with multifunction trip computer
- 2 Premium eight-speaker sound system with six-disc CD changer, MP3 format readable
- 3 Single-zone Climatic climate controls
- 4 6-speed automatic transmission with Tiptronic®



- Were you expecting your standard, run-of-the-mill car keys? Not only does this bladeless key slip conveniently into the dash-housed ignition, it comes complete with a radio-frequency remote transmitter. Bet you didn't see that one coming.

Features shown may be optional. Consult features and specifications for details.

Power sunroof





Got stuff to stow? We've added plenty of unique storage in the new Passat, including a self-draining umbrella holder hidden in the driver's side front door. (right) Pretty neat, huh?



**Integrated umbrella holder**

**12-way adjustable seats**



**MORE FEEL-AT-HOME FEATURES**

- Manual side and rear sunshades
- Heatable front seats
- Leather-wrapped steering wheel and shift knob
- HomeLink®
- Self-dimming interior rearview mirror

Features shown may be optional. Consult features and specifications for details.





# 3

## **Can cause a Too-Cool-For-School complex.**

When you've got either a 2.0T engine or a 3.6 litre V6 powerhouse under the hood, you could start walking with a little more swagger in your step. With 200 hp and 207 lb-ft of torque, the 2.0 litre is Turbocharged to deliver the might of a big engine in a small package. And the 3.6 litre V6 doles out a whopping 280 hp at 265 lb-ft of torque at your command. Both use FSI direct injection to ensure you get power when you need it. You might even be tempted to show off a bit, but there's no need to grandstand. With all that smart muscle at your fingertips, you won't have to.



200 hp 2.0T FSI Engine







### Hill Hold Assist



With all the Passat has to offer, we're sure you'll be driving all day. But why not give your right leg a rest? With the push of a button, Hill Hold Assist clamps on the brakes when you're stopped on a slope, then automatically releases when you start to pull away to help prevent the car from rolling backwards.

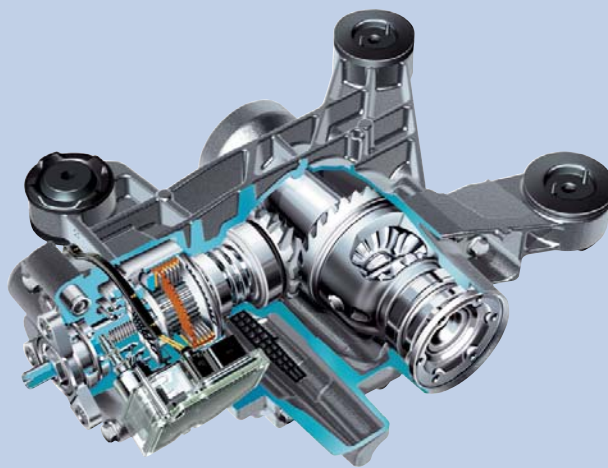
6-speed automatic transmission with Tiptronic



Brushed aluminum shown is of U.S. specification. See dealer for details.



We've even amped-up our 4MOTION® traction control (right). This fully-integrated system is front-wheel biased, which means it provides even better fuel economy<sup>1</sup> by activating only when front-wheel slip is detected. It also means that it's smarter than the average front-wheel drive.



**4MOTION all-wheel-drive system** (detail)



**280 hp 3.6L engine**

#### **MORE HEAD-OF-THE-CLASS FEATURES**

- FSI (Fuel Straight Injection)
- Automatic brake-disc wipers
- Electronic stabilization programme
- Sport suspension
- Electronic parking brake
- 4-link independent rear suspension
- Electromechanical power steering
- 6-speed manual or automatic transmission

Features shown may be optional. Consult features and specifications for details.

<sup>1</sup>Transport Canada estimates only. Your fuel consumption may vary.

# 4

## Rare cases of Synaptic Safety Syndrome have been reported.

One out of every 300<sup>1</sup> new Passat drivers get so used to the protection offered by our six standard airbags<sup>2</sup> and improved safety cage construction, they find themselves feeling completely exposed once they leave the car. Take our Front Active Head Restraints, for example. In the event of certain kinds of rear-on collisions, they actually move up and forward to help avoid the effects of whiplash. And though it's true – you can't expect that kind of care from, say, the subway or your office chair – there's really no need to strap on the helmet and kneepads.

<sup>1</sup>This is a completely fictitious statistic. But it is kinda funny. <sup>2</sup>Airbags are supplemental restraints only and will not deploy under all accident scenarios. Always use safety belts and seat children only in the rear, using restraint systems appropriate for their size and age.



**Front Active Head Restraints**

Dual front and front side airbags  
with Side Curtain Protection®







Interior shown of U.S. specification. Side thorax airbags are optional. Airbags are supplemental restraints only and will not deploy under all accident scenarios. Always use safety belts and seat children only in the rear, using restraint systems appropriate for their size and age.

Reinforced safety cage





Can a key be a safety feature? It can when you remove it. The new Passat's ignition (below) is electric and we've moved it from the steering column to the dashboard to keep it out of the way of drivers' knees in case of an accident.



**Electronic parking brake**

**In-dash ignition**



#### **OTHER SLEEP-TIGHT FEATURES**

- Anti-lock braking system
- Engine brake assist
- Electronic brake pressure distribution
- Anti-slip regulation traction control
- Electronic differential lock
- Improved safety cage construction
- Crash-optimized front end
- Anti-intrusion side door beams
- 5 three-point safety belts

## NEW PASSAT STANDARD FEATURES

All Passat models come with:

1. 60/40 split folding rear seat
2. Climatic manual single-zone climate control
3. Dual front and front side impact airbags,<sup>1</sup> supplemental restraint system and Side Curtain Protection airbags<sup>1</sup>
4. ASR (Anti-Slip Regulation) traction control
5. ABS (Anti-lock Braking System) with electronic brake pressure distribution
6. Electronic Stabilization Programme with brake assist
7. Six-disc CD changer preparation mounted in glove box
8. Anti-theft vehicle alarm system for doors, hood, trunk lid, radio and starter
9. Multifunction trip computer
10. Two-speed, Aero windshield wipers with adjustable intermittent wipe feature
11. Leatherette-trimmed seating
12. Heatable front seats
13. Fully-reclining front comfort seats with height-adjustable (height and angle) head restraints and lumbar support

<sup>1</sup>Airbags are supplemental restraints only and will not deploy under all accident scenarios. Always use safety belts and seat children only in the rear, using restraint systems appropriate for their size and age.

## 2.0T STANDARD FEATURES

The 2.0T also comes standard with:

1. 8-way fully-reclining height-adjustable front seats with lumbar support
2. In-dash single-disc CD player with eight-speaker sound system, MP3 readable
3. 16-inch steel wheels with full wheel covers
4. 6-speed manual transmission

## 2.0T OPTIONAL FEATURES

Pick the 2.0T and these options can also be yours:

### 2.0T Convenience Package

1. Integrated roof/window antenna
2. Chrome accents to exterior side window frames
3. Heated front windshield washer nozzles
4. Door entry lights with illuminated footwells
5. Dual sunvisors with illumination
6. Dual front and rear reading lights
7. Storage net in trunk
8. In-dash six-disc CD player

## WARRANTY

Every Passat comes with a bumper-to-bumper 4-year/80,000-km New Vehicle Limited Warranty.<sup>2</sup> We also offer a Powertrain Limited Warranty, with 5-years/100,000-km of protection. And a Limited Warranty Against Corrosion Perforation for 12 years, no matter how many kilometres you drive.

<sup>2</sup>Wear and tear items and adjustments excluded after the first 12 months or 20,000 kilometres, whichever comes first.

## 2.0T OPTIONAL FEATURES

Continued

### 2.0T Luxury Package

(Includes 2.0T Convenience Package)

1. 16-inch alloy wheels with all-season tires
2. Homelink
3. Tilt-and-slide power glass sunroof with tinted glass

### 2.0T Luxury-Leather Package

(Includes 2.0T Luxury Package)

1. 10-way partial power driver seat with four-way power-adjustable lumbar support and power recline
2. Fully-reclining height-adjustable front passenger seat with lumbar support
3. Dual-zone Climatronic™ automatic climate control
4. Leather-wrapped three-spoke steering wheel, shift knob and boot

## 3.6L STANDARD FEATURES

The 3.6L also comes standard with:

1. 6-speed automatic transmission with Tiptronic
2. 10-way partial power driver seat with four-way power-adjustable lumbar support and power recline
3. In-dash six-disc CD player with eight-speaker sound system, MP3 readable
4. 17-inch alloy wheels
5. Dual-zone Climatronic™ automatic climate control

## 3.6L OPTIONAL FEATURES

Choose the 3.6L and this option package can be yours:

### 3.6L Sport-Leather Package

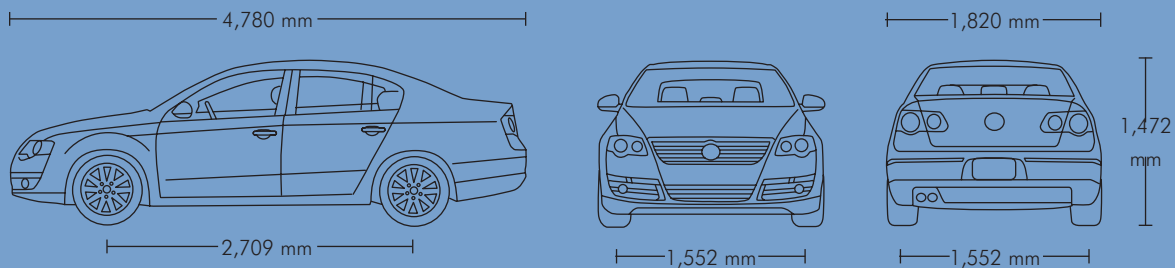
1. Sport suspension
2. Leather-trimmed comfort, 12-way power-adjustable driver and front passenger seats with lumbar support and three-position memory for driver's seat and exterior mirrors
3. Manual rear and side sunshades
4. Leather-wrapped three-spoke steering wheel (with Tiptronic controls), shift knob and boot
5. Power, heated exterior rearview mirrors with memory and ambient ground lighting

## ROADSIDE ASSISTANCE

The Passat has a Roadside Assistance package provided by Professional Dispatch Group, so you can be covered 24 hours a day for 4 years, unlimited distance. Wherever you go, there we are. See your dealer for details.

# TECH SPECIFICATIONS & COLOURS

## Measurements



## Other Measurements

Front Headroom	976 mm
Rear Headroom	961 mm
Front Shoulder Room	1,415 mm
Rear Shoulder Room	1,387 mm
Front Legroom	1,052 mm
Rear Legroom	958 mm
Passenger Volume	2.75 cu m
Cargo Volume	0.4 cu m
Curb Weight (2.0T – Manual)	1,499 kg
Curb Weight (2.0T – Automatic)	1,517 kg
Curb Weight (3.6L – Automatic)	1,622 kg
Curb Weight (3.6L – Automatic with 4MOTION)	1,737 kg

## Engine

2.0T 4-cylinder Turbo, 207 lb-ft torque  
3.6L 6-cylinder, 265 lb-ft torque

## HP

**200**  
**280**

## Transmissions

6-speed manual  
6-speed automatic with Tiptronic

## Suspension and Handling

Electromechanical power steering

Laser-beam welded, unitized construction, fully galvanized steel body

Independent front suspension, McPherson struts, coil springs, telescopic shock absorbers, and stabilizer bar

Fully independent four-link rear suspension, coil springs, telescopic gas pressurized shock absorbers, and stabilizer bar

ABS (Anti-lock Braking System) power-assisted, vented front discs with solid rear discs

Electronic Stabilization Programme

ASR (Anti-Slip Regulation) traction control

Pure Beige  
Leatherette



Shadow Blue



Black Uni

Black  
Leatherette



Reflex Silver



United Grey

Pure Beige  
Vienna Leather



Blue Graphite



Granite Green

Black  
Vienna Leather

Leatherette is standard on all trim levels. Leather is available with package on the Passat 2.0T and 3.6L.



## Learn more at [newpassat.ca](http://newpassat.ca).

Some or all of the events highlighted in this brochure may or may not be made up. Volkswagen Canada Inc. believes the information and specifications in this brochure to be correct at the time of printing. Specifications, standard features, options, fabrics, and colours are subject to change without notice. Some features may be unavailable when your vehicle is built. Some vehicles are pictured with options that may be available at extra cost or may not be available on some models. Ask your dealer about the availability of options and verify that the vehicle you ordered includes the equipment you ordered. Tires are supplied and warranted by their manufacturer. Transport Canada fuel kilometres are estimates only. Your fuel consumption may vary. Volkswagen does not promote preening, jiving, showboating or hot-dogging around in any fashion. Okay, well, maybe just a little crowing here and there. "Volkswagen," the Volkswagen logo, "Passat," and "4MOTION" are registered trademarks of Volkswagen AG. "Drivers wanted." and "Side Curtain Protection" are registered trademarks of Volkswagen Canada Inc. "Climatronic" is a trademark of Volkswagen Canada Inc. Just a couple more of these, we promise. "Tiptronic" is a registered trademark of Dr. Ing. h.c. F. Porsche AG. "HomeLink" is a registered trademark of the Prince Corporation, Holland, Michigan. Prince is a wholly owned subsidiary of Johnson Controls.™ For further information regarding any Volkswagen model, please call 1-800 DRIVE VW or just take a peek at [vw.ca](http://vw.ca). Designed and printed in U.S.A. ©2005 Volkswagen of Canada Inc. And this one we're not joking about, please don't drink and drive.