

4Runner | 2011



 **TOYOTA**
make things better



4Runner

From the steepest inclines to the sharpest descents, the 2011 4Runner comes with advanced technology to adapt to whatever you throw at it. Built to handle the most difficult challenges, it has the power and performance to help you get safely through muddy terrain, snow covered landscapes and icy roads. Whatever the condition, 4Runner continues to prove you can live and play in a rugged world without sacrificing power, comfort and style. That's how we make things better with the 2011 4Runner.

FRONT COVER

4Runner SR5 V6 with Trail Edition Package shown in Classic Silver Metallic.

A. 4Runner SR5 V6 with Limited Package shown in Salsa Red Pearl. **B.** 4Runner SR5 V6 with Limited Package shown in Magnetic Grey Metallic.



4Runner

Survival in the wilderness favours the strong. Thankfully the 4Runner SR5 V6 is engineered to rise above the elements and overcome almost any obstacle. Beneath its rugged exterior, there's a durable body-on-frame construction and advanced traction technologies for true off-road capability. Under the hood is an impressive 270 hp V6 Dual VVT-i engine with 278 lb.ft. of torque, which simultaneously optimizes both power and fuel efficiency so you can have all the muscle you need. Inside, the luxurious and spacious cabin features increased head and hip room so that everyone can experience first class treatment while still roughing it in the outdoors.

FUEL CONSUMPTION²

12.6 City/9.2 Highway L/100 km
4.0-litre, V6 with automatic transmission

SELECT FEATURES

- 270 hp, 4.0-litre, V6, DOHC, 24-valve, Dual VVT-i engine with 5-speed automatic Super Electronically Controlled Transmission.
- Automatic Disconnecting Differential, multi-mode one touch 4WD system.
- Power-assisted, 4-wheel ventilated disc brakes.
- Anti-lock Brake System.
- AM/FM CD/MP3 player, audio auxiliary input jack, 8-speakers, XM[®] satellite ready antenna with prewire, antenna pole.
- Automatic air conditioning with climate control, cabin air filter, rear seat heater ducts.
- Power 8-way driver's seat.
- Sport fabric seat material, fabric door trim.
- Dual power heated remote-control foldable mirrors.
- 4-spoke tilt and telescopic steering wheel.
- Multi-information display, trip computer.
- Automatic headlamp cancel function.
- 17-inch aluminum alloy wheels.

4Runner SR5 V6 shown in Salsa Red Pearl.



VOICE-ACTIVATED TOUCH-SCREEN DVD NAVIGATION SYSTEM⁴

Take the guesswork out of venturing into the unknown. The available voice-activated touch-screen DVD navigation system⁴ lets you map your whereabouts with the touch of a finger. [Limited Package w/Navigation only]

DUAL-ZONE AUTOMATIC DIGITAL CLIMATE CONTROL

The driver can set one temperature setting, while the front passenger can select a separate setting. A rear ventilation and air filtration system add to 4Runner's high level of interior comfort. [Limited Package only]



SMART KEY SYSTEM

Unlock doors, open or close the power sliding rear window all at the push of a button. [Limited Package only]

LEATHER-TRIMMED INTERIOR

The leather-trimmed interior is shown in Sand Beige with the flat folding 3rd row bench-seat for additional cargo capacity. [Upgrade Package only]

ENHANCED REAR TAILGATE

4Runner's spacious rear cargo area is available with a sliding rear cargo deck that can hold up to 200 kg (440 lb). [Trail Edition Package only]

MULTI-TERRAIN SELECT AND CRAWL CONTROL

For specific off-road conditions, there are two driver-selectable features. To enhance off-road performance and traction, Multi-terrain Select lets you choose from four terrain modes: "Mud and Sand," "Loose Rock," "Mogul," or "Rock." For off-road obstacles using extremely low-speeds, the Crawl Control modulates the electronic throttle and brakes, so that you can focus more attention on steering. [Trail Edition Package only]



40/20/40 SECOND-ROW

4Runner's versatility is evident in its second-row seat. Recline it and relax. Or fold its 40/20/40 seat sections to create a variety of passenger and cargo-carrying configurations.



Safety

Vehicles that take on difficult off-road terrain have to be more than just tough. The 4Runner comes standard with eight airbags that include driver and front passenger airbags,¹ driver and front passenger knee airbags,¹ front seat-mounted side airbags¹ and roll-sensing front and rear head/side curtain airbags¹ with cut-off switch.



4Runner SR5 V6 interior with Limited Package shown in Sand Beige leather.

STAR SAFETY SYSTEM™

2011 4Runner comes standard with the Star Safety System™. This integration of active safety features is designed to protect occupants by helping drivers avoid accidents in the first place. The Star Safety System™ includes Vehicle Stability Control (VSC),⁶ Traction Control (TRAC), Anti-lock Brake System (ABS), Electronic Brake-force Distribution (EBD), Brake Assist (BA),⁷ and Smart Stop Technology (SST).⁸

Toyota is the first full-line manufacturer to make all of the elements of the Star Safety System™ standard on every new 2011 vehicle. Visit toyota.ca for more details.

- VSC** VEHICLE STABILITY CONTROL⁶
- TRAC** TRACTION CONTROL
- ABS** ANTI-LOCK BRAKE SYSTEM
- EBD** ELECTRONIC BRAKE-FORCE DISTRIBUTION
- BA** BRAKE ASSIST⁷
- SST** SMART STOP TECHNOLOGY⁸

Toyota Quality

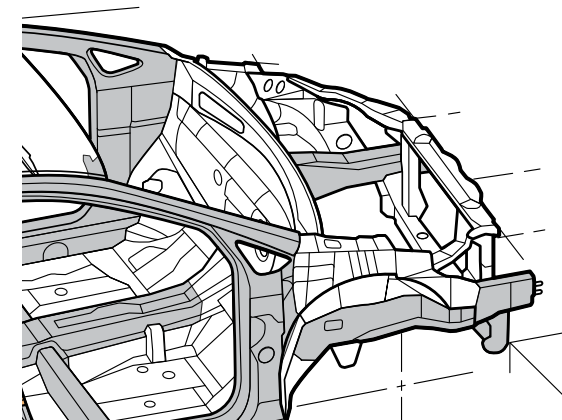
Quality is built right into the production process from the selection of raw materials, right down to the vehicle's final inspection. And it is the responsibility of everyone to ensure the highest quality possible on each and every vehicle. It's through Toyota's philosophy of 'Kaizen' that we are always looking for ways to continually improve. That's how we make things better.

THE TOYOTA PRODUCTION PROCESS is one that is constantly evolving. With our "Just-In-Time" practice, the goal is to make certain that during the manufacturing process, only what is needed gets produced. The result is twofold: because there's no excess supply, any issues are exposed and promptly resolved to ensure that everything off of the Toyota assembly line is of exceptional quality.



THE HUMAN TOUCH. As impressive as the machinery is, the achievement of perfect fit and finish is also the result of continuous human touch for every step of the way.

TOYOTA CANADA COLD RESEARCH CENTRE. Located in Timmins, Ontario, our teams test Toyota vehicles in actual Canadian winter conditions at our cold weather testing track to ensure that they remain dependable throughout the long winter months.



For more information visit toyota.ca

2011 Colours



070 Blizzard Pearl^C
(Limited only)



1F7 Classic Silver Metallic^{A,B,D}



1G3 Magnetic Grey Metallic^{A,B,D}



202 Black^{A,B,D}



3Q3 Salsa Red Pearl^{A,B}



8V5 Shoreline Blue Pearl^{A,D}

Interior colour options

^A Graphite Fabric. ^C Sand Beige Leather.
^B Graphite Leather. ^D Black Leather.

Please see your Toyota Dealer for details.

New vehicle warranty summary

NO DEDUCTIBLES – NO TRANSFER FEES

COMPREHENSIVE COVERAGE - 3 YEARS OR 60,000 KM This warranty includes 24 hour Roadside Assistance and other benefits, as well as coverage of repairs on any part of the vehicle that is defective in material or workmanship under normal use and maintenance. Different warranties apply to original tires.

POWERTRAIN COMPONENTS - 5 YEARS OR 100,000 KM This warranty covers repairs to powertrain components that are defective in material or workmanship under normal use and maintenance.

MAJOR EMISSION CONTROL COMPONENTS - 8 YEARS OR 130,000 KM This warranty covers repairs to specified major emission components that are defective in material or workmanship under normal use and maintenance.

CORROSION PERFORATION - 5 YEARS UNLIMITED DISTANCE Any sheet metal found, under normal use, to have developed a perforation from corrosion due to defects in material or workmanship.

Accessories

Personalize your vehicle to enhance its appearance and performance with Toyota Accessory Parts. Your Toyota Dealer can help you select the right accessories to suit your individual style. Many of Toyota's Accessory Parts can be residualized or advanced through Toyota Financial Services when purchased at the time of a new vehicle sale, and all are backed by a Toyota Warranty. To view a complete list of accessories specifically designed for your vehicle, visit customizeyourtoyota.ca, your local Dealer or toyota.ca.

Personalize your 4Runner with interior and exterior accessories that suit your individual needs.

- All-Season Mats
- Bike/Ski/Snowboard Carrier
- Block Heater
- Bluetooth^{®3}
- Cargo Liner
- Cargo Nets – 2nd & 3rd Row
- Hitch Mounted Bike Carrier
- Hood Deflector
- Remote Engine Starter
- Roof Rail Crossbars
- Tonneau Cover
- Towing Accessories
- TRD Air Filter
- TRD Oil Cap
- XM[®] Satellite Radio



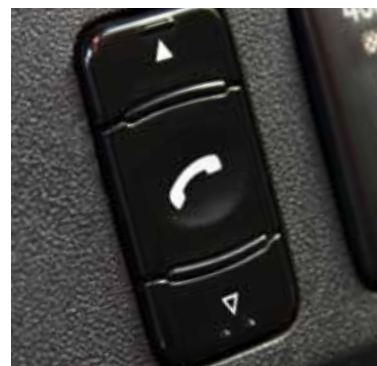
Roof Rail Crossbars



Hood Deflector Protect your vehicle with a high impact deflector that minimizes damage caused by road debris, pebbles and insects.



XM[®] Satellite Radio Tune in and listen to thousands of commercial free radio stations of your choice.



Bluetooth^{®3} Keep your hands on the wheel and your eyes on the road as you talk conveniently and safely through the Bluetooth^{®3} hands free system.



Remote Engine Starter



Cargo Net



Cargo Liner Protect your interior with this durable vinyl liner which features a raised lip to contain spills for easy cleanup.



Tonneau Cover

Discover more with Toyota

At Toyota, our goal is to continuously make things better for you. That's why we offer a wide range of programs and services before and after your vehicle purchase designed to help make your Toyota experience the best it can be.



Fewer emissions and pollutants.¹ More kilometres on less fuel. And designed with power and performance in mind. Available in Prius, Camry and Highlander, these latest generation Toyota hybrids offer you the best of all worlds.



Toyota Dealers are dedicated to making the experience of owning a Toyota both satisfying and rewarding. We service your Toyota the way we built it. So you can count on quality parts and professional service.



If you're looking at leasing or financing, we're here to help. We provide competitive interest rates, flexible terms, and an easy online pre-approval process. The toughest decision should be choosing which Toyota you want. Visit us at www.toyotafinancialservices.ca.



Enhance your Toyota ownership experience by joining Club Toyota – a complimentary and exclusive online service for Toyota owners. Benefit from an abundance of interactive services, and information conveniently at your fingertips. Register today at clubtoyota.ca.



With Extra Care Protection you receive inflation protected coverage from mechanical failures, road emergencies, and much more. It's affordable peace of mind. Consult your Toyota Dealer for details.



The Toyota Mobility program is dedicated to addressing the transportation needs of Toyota Owners who have a disability, or know a family member with a disability or mobility issue. The program offers cash assistance, resource information and financing for adaptive equipment for their vehicle.



All new Toyota cars and trucks include a full tank of gas, roadside assistance and floor mats.

¹Compared against similarly equipped conventional gasoline powered vehicles. Based on North American sales data and Federal Tier 2 engine emission requirements.

Working together to make things better.

Through education, inspiration, financial support and a long standing commitment to the environment, Toyota Canada is proud to contribute to the Toyota Canada Foundation and to various community programs that are devoted to the betterment of our planet. To learn more about how we are working to make things better, visit us at toyota.ca



Photo: Joshua Berson



Photo: Evergreen – Jane Churchill



Toyota Evergreen Learning Grounds

Toyota Canada Inc. and its Dealerships partnered with Evergreen in 2000 to create the Toyota Evergreen Learning Grounds Program, that is transforming Canadian school grounds into natural learning environments. For more information visit evergreen.ca



Special Olympics Canada

Toyota Canada Inc. and its Dealers are National Sponsors of Special Olympics Canada, which is dedicated to making a difference in the lives of Special Olympics athletes. Toyota Canada Inc. reaches out to Special Olympics athletes whenever possible through participation in events at a local, regional, provincial and national level. For more information visit specialolympics.ca



Toyota Earth Day Scholarship Program

The Toyota Earth Day Scholarship Program was established to recognize and reward graduating high school students who have distinguished themselves through environmental, volunteer and academic excellence. This year, 20 scholarships will be awarded coast to coast, allowing Canada's future environmental leaders to continue their studies. For more information visit earthday.ca

2011 4Runner Features

	SRS V6
INTERIOR	
AM/FM CD/MP3/WMA Player, 8-Speakers, Audio Auxiliary Input Jack, XM® Satellite Ready Antenna w/Prewire, Antenna Pole	●
Climate Control, Rear Seat Heater Ducts, Cabin Air Filter	●
Front Sport Seats	●
Sport Fabric Seat Material, Fabric Door Trim	●
Power 8-Way Driver Seat w/Lumbar Support	●
Power 4-Way Front Passenger Seat	●
40/20/40 Split Rear Seats w/Slide, Recline, Fold-Down Seat Back, Fold-Down Centre Armrest	●
All-Position Vertically Adjustable Headrests	●
Front Headrest Tilt Adjustments	●
Power Windows w/Auto Up/Down	●
Power Rear Hatch Window w/Auto Up & Jam Protection	●
Power Door Locks	●
Auto-Dimming Rear View Mirror w/Digital Compass	●
Outside Temperature Gauge, Tachometer, Water Temperature Gauge, Fuel Economy Meter, Transmission Fluid Temperature Gauge	●
Eco Drive Monitor w/Multi-Information Display, Trip Computer	●
Dual Illuminated Vanity Mirrors	●
4-Spoke Tilt & Telescopic Steering Wheel	●
Integrated Garage Door Opener	●
Carpeting, Carpet Floor Mats	●
Cruise Control	●
Digital Clock	●
Coat Hooks, Overhead Sunglass Storage	●
Centre Console Box w/Armrest, Front & Rear Cup Holders	●
Driver & Front Passenger Seat Back Pockets, Door Map Pockets	●
Driver's Coin Case Compartment	●
Cargo Area Tie-Down Rings, Cargo Area Side Storage Compartments	●
Map Lamps, Front & Rear Area Lamps, Glove Box Interior Lamp, Cargo Lamp	●
Two Front & One Rear 12V Auxiliary Power Outlets	●
Keyless Entry w/Rear Door Release, Illuminated Entry, Illuminated Ignition Key	●

● = Standard ○ = Optional

	SRS V6
SAFETY	
STAR SAFETY SYSTEM™ Star Safety System™ – includes Vehicle Stability Control (VSC) ¹ , Traction Control (TRAC), Anti-lock Brake System (ABS), Electronic Brake-force Distribution (EBD), Brake Assist (BA) ⁷ & Smart Stop Technology (SST) ⁸	●
Dual-Stage Driver & Front Passenger Airbag Supplemental Restraint System (SRS) ¹	●
Front Passenger Airbag Occupancy Classification Indicator	●
Front Seat-Mounted Side Airbags (SRS) ¹	●
Driver & Front Passenger Knee Airbags (SRS) ¹	●
Roll-Sensing Front & Rear Head/Side Curtain Airbags (SRS) ¹	●
Active Front Headrests w/Whiplash Protection	●
Front Seatbelt Pre-Tensioners & Force Limiters	●
All-Position 3-Point Lap & Shoulder Belts	●
Front Seatbelt Anchor Height Adjusters	●
Anchor Points for Child Restraint Seats	●
Child Protector Rear Door Locks	●
Assist Grips	●
Engine Immobilizer	●
Vehicle Stability Control (VSC) ⁹ Cut-Off Switch	●
Front Tow Hook	●
Low Washer Fluid, Door Ajar, Driver & Front Passenger Seatbelt Warning Indicators	●
Direct Tire Pressure Monitoring System	●

	SRS V6
EXTERIOR	
17" Aluminum Alloy Wheels, Wheel Locks	●
Side Window Defoggers, Electric Rear Window Defroster w/Timer	●
Rear Privacy Glass, High Solar Energy Absorbing Window Glass	●
Dual Heated, Power Adjustable Mirrors, Foldable Mirrors	●
Rear Step Bumper, Coloured Bumpers	●
Silver Painted Roof Rails	●
Coloured Mirrors, Coloured Door Handles	●
Coloured Rear Spoiler	●
Front & Rear Splash Guards	●
Heavy Duty Tow Hitch Receiver, 4 Pin/7 Pin Trailer Wire Harness, Electronic Trailer Brake Control Prewire	●
Matte Black Fender Flares	●
Running Boards	●
Variable Intermittent Wipers, Rear Window Intermittent Wiper/Washer, Windshield Wiper De-Icer	●
Halogen Headlamps	●
Auto Headlamp Cancel Function	●
Fog Lamps	●
Rear Clearance Sonar	●
Reflector Style Halogen Headlamps	●

	SRS V6
PACKAGES	
Upgrade Package:	
Steering Wheel Audio Control, Bluetooth ^{®3} Capability, Integrated XM [®] Satellite Radio, USB Audio Input, Roof-Mounted Fin Antenna, Power Moonroof, Vehicle Anti-Theft System, Auto-Dimming Rear View Mirror w/Integrated Backup Camera, Leather Seat Surfaces, Heated Driver & Front Passenger Seats, Leather-Wrapped Steering Wheel & Shift Knob, 3rd Row Flat Folding 50/50 Split Rear Bench-Seat, Rear Door Courtesy Lamps	○
Trail Edition Package:	
Steering Wheel Audio Control, Bluetooth ^{®3} Capability, Integrated XM [®] Satellite Radio, USB Audio Input, Roof-Mounted Fin Antenna, 400 Watt (120 Volt) Power Outlets, Power Moonroof, Vehicle Anti-Theft System, Auto-Dimming Rear View Mirror w/Integrated Backup Camera, Kinetic Dynamic Suspension System (KDSS), Crawl Control, Multi-Terrain Select, Multi-Terrain ABS, Hood Scoop, Unique Grille & Alloy Wheel; Matte Black Bumpers, Door Handles, Fog Lamps Surround, Exterior Mirrors & Roof Rails; Smoked Headlamp & Taillamp Surround, Rear Door Courtesy Lamp, Water Repellant Seat Fabric, Sliding Cargo Area Tray, Cargo Net, Tonneau Cover, Optitron Instrumentation Gauges (Delete Downhill Assist Control (DAC), Rear Clearance Sonar)	○
Limited Package:	
Upgrade Package plus: Multi-Mode One Touch 4WD System, P245/60R20, 20" Aluminum Alloy Wheels, Full Size Spare Tire w/Alloy Wheel, Push Button Start, Smart Key System, X-REAS Sport Suspension, ⁵ JBL [®] AM/FM CD/MP3/WMA 6-Disc Changer, 15-Speakers, Rear Subwoofer, Dual-Zone Automatic Climate Control, Integrated Signal Lamps, Puddle Lamps, Front Door Handle Touch Sensor Lock/Unlock, Automatic Headlamp System, Limited Chrome Front Grille, Chrome Fog Lamps Surround, Chrome Finished Door Handles, Rear Trunk Chrome Trim, Coloured Fender Flares, Roof Rails w/Chrome Trim, Front & Rear Underbody Spoilers, Unique Running Boards, Optitron Instrumentation Gauges (Delete Rear Clearance Sonar)	○
Limited Package w/Navigation:	
Limited Package plus: DVD Based Navigation System ⁴ w/Backup Camera, XM [®] Real-Time Traffic Capability, In-Dash 4-Disc CD Changer (Delete 6-Disc Changer)	○

2011 4Runner Specifications

	SRS V6
MECHANICAL	
Engine	
4.0 Litre, V6, DOHC, 24-Valve, Dual Variable Valve Timing w/intelligence (Dual VVT-i), Sequential Multiport Electronic Fuel Injection	●
Compression Ratio	
10.4:1	●
Horsepower	
270 hp (201 kW) @ 5600 rpm	●
Torque	
278 lb.ft. (377 N.m.) @ 4400 rpm	●
Suspension	
Front: Coil Spring, Independent, Double Wishbone Suspension w/Gas-Filled Shock Absorbers & Stabilizer Bar	●
Rear: Coil Spring, Independent, 4-Link w/Lateral Rod Rear Suspension & Stabilizer Bar	●
Front/Rear: Kinetic Dynamic Suspension System (KDSS)	○
Front/Rear: X-REAS Sport Suspension ⁵	○
Drivetrain	
Part Time 4WD System, Vehicle Stability Control (VSC) ⁹ w/Active Traction Control (A-TRAC), Downhill Assist Control (DAC), Hill-Start Assist Control (HAC), Automatic Disconnecting Differential, Fuel Tank & Transfer Case Protector Plates	●
Crawl Control, Multi-Terrain Select	○
Multi-Mode One Touch 4WD System	○
Transmission	
5-Speed, Super Electronically Controlled Automatic Transmission (Super ECT), Overdrive, Lock-Up Torque Converter, Transmission Cooler	●
Brakes	
Power-Assisted, 4-Wheel Ventilated Discs, Anti-lock Brake System (ABS) w/Electronic Brake-force Distribution (EBD) & Brake Assist (BA) ⁷	●
Multi-Terrain ABS	○
Steering	
Speed Sensing Variable Flow Control Power-Assisted w/Rack & Pinion	●
Tires	
P265/70R17, All-Season Radials, Full Size Spare w/Steel Wheel	●
P245/60R20, All-Season Radials, Full Size Spare w/Alloy Wheel	○

	SRS V6
DIMENSIONS	<i>mm (in.)</i>
Length	4820 (189.8) ●
Width	1925 (75.8) ●
Height (Unloaded)	1780 (70.1) ●
Wheelbase	2790 (109.8) ●
Track	Front: 1605 (63.2) ● Rear: 1605 (63.2) ●
Seating Capacity	5 ● 7 ○
Headroom	Front: 998 (39.3) ● Rear: 980 (38.6) ● Front: 979 (38.6) w/Moonroof ○ Rear: 979 (38.6) w/Moonroof ○ 3rd Row: 871 (34.3) ○
Legroom	Front: 1058 (41.7) ● Rear: 836 (32.9) ● 3rd Row: 744 (29.3) ○
Shoulder Room	Front: 1468 (57.8) ● Rear: 1468 (57.8) ● 3rd Row: 1465 (57.7) ○
Ground Clearance	244 (9.6) ●
Approach Angle (degrees)	25 ● 33 (Trail Edition Package) ○
Departure Angle (degrees)	24 ● 26 (Trail Edition Package) ○

[1] All Toyota vehicles shown in this brochure, have Supplemental Restraint Systems (SRS) which, depending on the model, may include driver and front passenger airbags, a driver's knee airbag, front seat-mounted side airbags or side curtain airbags. For important safety information about the Supplemental Restraint System in a vehicle, please see the Owner's Manual or contact your local Toyota Dealer.

[2] These estimates are based on the Government of Canada's approved criteria and testing methods. The actual fuel consumption of this vehicle may vary. Refer to the Government of Canada publication *EnerGuide Fuel Consumption Guide*.

[3] Toyota tests certain phones for compatibility with Bluetooth technology. Some vehicles equipped with Bluetooth technology are available with bilingual capability. Note that the recommendation of Toyota is not a warranty of the performance for any phone and that some problems may occur with any type of handset based on the service coverage available in your area. Please see your Toyota Dealer for details.

[4] The Toyota DVD based Navigation system is designed to assist in locating an address or point of interest. Discrepancies may be encountered between the system and your actual location. Changes in street names, road closures, traffic flow or other road system changes may affect the accuracy of the mapping software. Rely on your common sense to decide whether or not to follow a specified route. Detailed coverage is not available in every city. Optional periodic geographic updates are available at an additional cost. The Navigational systems in some vehicles are available with bilingual capability. Please see your Navigation system Owner's Manual and your Toyota Dealer for further details.

	SRS V6
CURB WEIGHT	<i>kg (lb.)</i>
	2095 (4619) ●
TOWING CAPACITY	<i>kg (lb.)</i>
	2268 (5000) ●
CARGO CAPACITY	<i>m³ (cu.ft.)</i>
	2.5 (89.7) Behind Front Seats ● 1.3 (46.3) Behind Rear Seats ● 0.25 (9.0) Behind 3rd Row Seats ○
TURNING CIRCLE	<i>m (ft.)</i>
	11.4 (37.4) ●
FUEL CAPACITY	<i>litres (gal)</i>
	80 (21.2) ●
FUEL CONSUMPTION RATING²	<i>L/100 km</i> <i>mpg (imperial gallon)</i>
City/Highway/Combined Automatic	12.6/9.2/11.1 22/31/25 ●

[5] X-REAS Sport Suspension does not increase payload.

[6] Vehicle Stability Control (VSC) is an electronic system designed to help the driver maintain vehicle control under adverse conditions. It is not a substitute for safe driving practices. Factors including speed, road conditions and driver steering input can all affect whether VSC will be effective in preventing a loss of control.

[7] Brake Assist is designed to help the driver take full advantage of the benefits of ABS. It is not a substitute for safe driving practices. Braking effectiveness also depends on proper brake-system maintenance and tire and road conditions.

[8] Smart Stop Technology operates only in the event of certain simultaneous brake and gas pedal applications. When engaged, the system will reduce engine power to help the brakes bring the vehicle to a stop. Factors including speed, road conditions and driver input can all impact stopping distance. Smart Stop Technology is not a substitute for safe and attentive driving and does not guarantee instant stopping.

Toyota Canada Inc. Every effort has been made to ensure the specifications and equipment shown are accurate based on information available at time of printing. In some cases, certain changes in production capacity, standard equipment, options or product delays may occur which would not be reflected in this brochure. Toyota Canada Inc. reserves the right to make these changes without notice or obligation. The Toyota website toyota.ca – or your Toyota Dealer is your best source for up-to-date information.



Yaris Hatchback



Camry Hybrid



RAV4



4Runner



Yaris



Prius



Highlander



Sequoia



Corolla



Venza



Highlander Hybrid



Tacoma



Matrix



Avalon



FJ Cruiser



Tundra



Camry



Sienna

Our Toyota dealers realize that building a lasting relationship is about more than just selling a vehicle. That's why our approachable staff is always happy to assist you, whatever your need may be. To find a Dealer nearest you, visit toyota.ca



Toyota recognizes its duty to safeguard the environment. Please recycle.



 **TOYOTA**
make things better