

# Tundra | 2011



 **TOYOTA**  
make things better



# Tundra

You don't get anywhere by standing still. So we leave nothing to chance when it comes to the tough 2011 Tundra. A choice of three cabs and three bed lengths lets you get the truck you need and the 310 hp or 381 hp i-FORCE V8 engines will give you more than enough power to handle any job. With smart design details like controls and door handles that can be operated while wearing work gloves, Tundra puts the driver's needs front and centre – and that's how we make things better.

**FRONT COVER**  
4x4 Double Cab with Upgrade Package shown in Black.

**A.** 4x4 CrewMax Limited shown in Pyrite Mica.



Regular Cab Standard Bed

Regular Cab Long Bed

Double Cab Standard Bed

Double Cab Long Bed

CrewMax Short Bed

# What's the measure of a real truck?



**TRANSMISSION HEATING/COOLING SYSTEM** Controlling fluid temperatures is crucial to the longevity of any engine and transmission, especially under repeated hard use. To help Tundra's powerplants keep their muscular performance, they are equipped with an Automatic Transmission Fluid Warmer for cold-start performance you can bank on. Coolers for the ATF, engine oil and power steering fluid eliminate heat build-up under demanding loads and conditions.

**BIG ON CHOICE** With three truck bed sizes available short, standard or long, Tundra's cargo beds feature an impressive depth of 564 mm [22.2"] for whatever projects you choose.

**AVAILABLE CLEATS AND TIE-DOWNS** Connected to the upper rail of the bed, the system uses four cleats rated at 100 kg [220 lbs] per attachment to help ensure that what's in the bed stays in the bed.

**MORE PAYLOAD,<sup>3</sup> MORE PAY** Tundra also pays off when it comes to loading up the bed. The 5.7-litre 4X4 Tundra Regular Cab Long Bed can handle up to 830 kg [1,835 lbs], and maximum payload<sup>3</sup> for the 5.7-litre 4X2 Tundra Regular Cab is up to 860 kg [1,900 lbs].



**EASY LOWER AND LIFT TAILGATE** Tundra's tailgate opens easily, and closes easily. Two fingers will do the job, thanks to a gas-charged damping strut that helps make sure it won't slam if you drop it.

**i-FORCE 5.7-LITRE V8** The i-FORCE 5.7-litre V8 delivers 381 hp and 401 lbs. ft. of torque, regulated by a heavy-duty 6-speed Super ECT automatic transmission. Efficiency is boosted by Dual VVT-i (independently controlled on the intake and exhaust valves), a low-friction cam assembly, transmission and power steering coolers to reduce heat build-up under heavy loads. The cast-aluminum block saves weight, and the cylinders are lined with steel sleeves for maximum durability.

**DECK RAIL SYSTEM** Load up the Tundra's deep cargo bed and let the available and flexible Deck Rail System help secure the load.

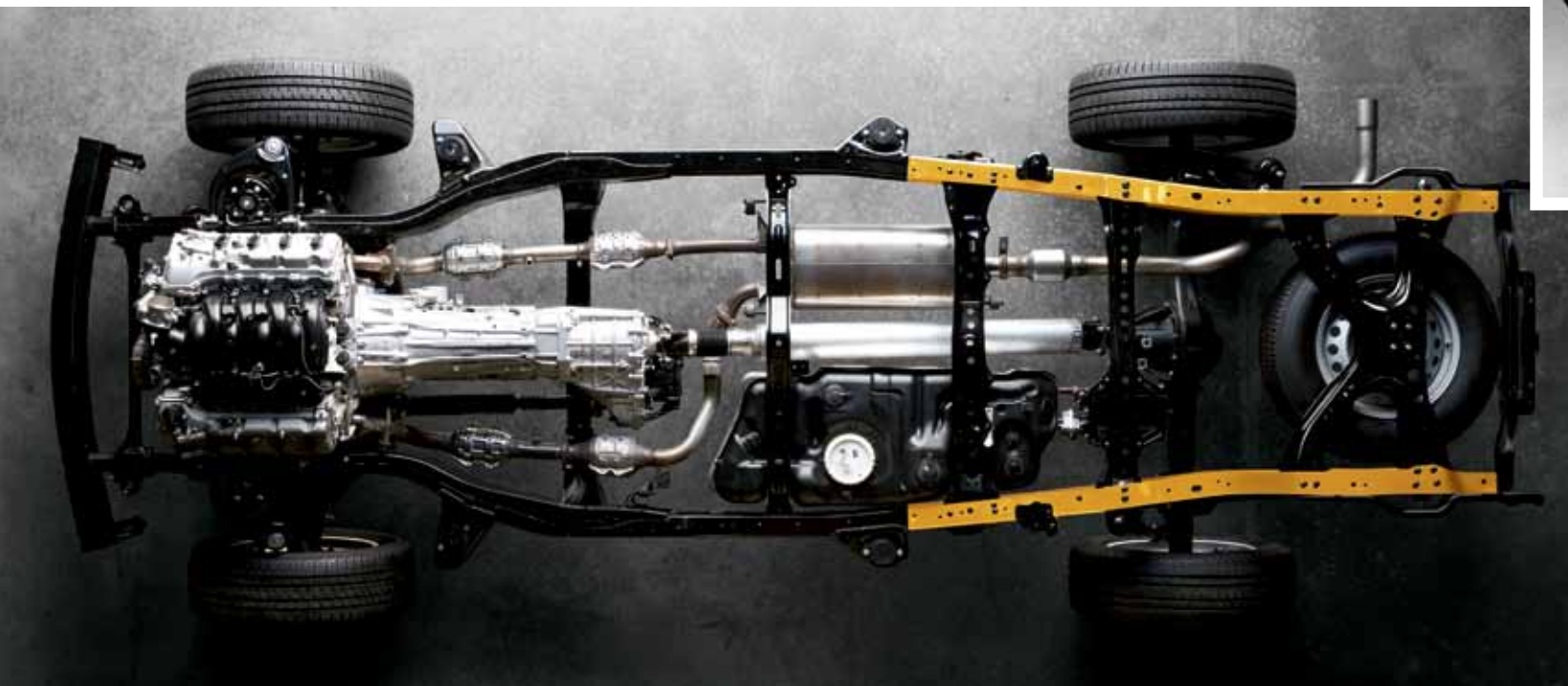


**i-FORCE 4.6-LITRE V8** The 310 hp i-FORCE 4.6-litre V8 has a 6-speed Super Electronically Controlled automatic transmission. Toyota's exclusive Dual Variable Valve Timing with intelligence optimizes the engine's volumetric efficiency to pump as much air as possible and extract maximum power. Peak torque is 327 lb.ft. at just 3,400 rpm. When towing heavy loads, response is there for powerful launches across a wide range of engine speeds. Uphill and downhill shift logic help control power for maximum efficiency on steep grades.



**INTEGRATED HITCH RECEIVER** All Tundra 4x4 and 4x2 models feature our standard heavy-duty towing package which comes with the hitch receiver integrated into the frame.

**MAXIMUM TOWING CAPACITY 10,800 LBS** The sturdiest hauler in the lineup is the 5.7-litre Tundra 4X2 Regular Cab that can pull up to 4,895 kg [10,800 lbs].



**TRAPEZOIDAL FRAME SECTION** When you think of suspension, you probably think about up-and-down movement. But our engineers also thought about lateral stability. The trapezoidal rear section of Tundra's TripleTech™ frame allows the rear leaf springs to be positioned toe-out, where the front is mounted farther out than the rear. The result: The trapezoidal rear frame section and the toe-out rear leaf springs combined deliver superior lateral stability when cornering and especially while towing heavy loads.

**2-PIECE DRIVE SHAFT** Double Cab and CrewMax Tundras are equipped with a 2-piece drive shaft that uses steel in the front half and aluminum in the rear to cut unsprung weight and reduce rotational mass for enhanced acceleration. On 4X4 models, the drive shaft uses large-diameter splines that allow the shaft length to adapt to articulation of the suspension and increase the drive shaft's ability to handle high torque loads.

**6-SPEED AUTOMATIC** Tundra's 6-speed automatic gives it a wide overall gear range. That translates into a brisk acceleration at low-and mid-range rpm. And first gear's ratio is an extremely low 3.333 - ideal for serious towing.



## MASSIVE RING GEAR

If there's a weak link on most pickup trucks, chances are it's the ring gear in the rear differential. It's where push comes to shove, especially under the stress of repeated heavy payloads<sup>3</sup> and towing. To handle the massive torque loads of Tundra's available 5.7-litre V8, our engineers matched it to a massive ring gear: 266 mm [10.5"].

# Regular Cab

With its deep cargo bed, Tundra's Regular Cab hauls a payload<sup>3</sup> up to 860 kg (1900 lbs) - 4x2 and can tow up to 4895 kg (10,800 lbs) - 4x2. Inside, a host of practical features help take the edge off a rough day. The headrests can be adjusted to let you keep your hard hat where it belongs – on your head. Behind the front seat is a large flat storage tray that can hold toolboxes and a small generator. Power, capacity and convenience, this truck is built for the way you work.



Standard Bed

Long Bed

**TOWING CAPACITY** - 4580 to 4895 kg

**PAYLOAD CAPACITY<sup>3</sup>** - 690 to 860 kg

**FUEL CONSUMPTION<sup>2</sup>** - 15.2 City/10.9 Highway L/100 km

4x2 5.7-litre, i-FORCE V8 with automatic transmission

## SELECT FEATURES

- 381 hp, 5.7-litre, i-FORCE V8, DOHC, 32-valve, Dual VVT-i engine with sequential multiport electronic fuel injection.
- Power-assisted, 4-wheel ventilated disc brakes.
- 6-speed, automatic, Super Electronically Controlled Transmission with overdrive.
- AM/FM CD/MP3/WMA player, audio auxiliary input jack, 4-speakers.
- Direct tire pressure monitoring system.
- 4 pin/7 pin trailer wire harness, electronic trailer brake control connector, class IV weight distribution trailer hitch.
- Windshield wiper de-icer.

**A.** 4x4 Regular Cab 5.7-litre shown in Alpine White.

**B.** 4x4 Regular Cab with TRD Off-Road Package interior shown in Graphite fabric.



**A**



**B**

# Double Cab

With a Standard Bed or Long Bed, Tundra's Double Cab is big where it should be. There's ample room to stretch out and relax so your crew isn't cramped in the back. The rear doors open wide and are forward hinged with an impressive 80-degree opening so people and cargo can be easily loaded. The power and toughness of Tundra, with the size and space designed to make the workday easier.



Standard Bed

Long Bed

**TOWING CAPACITY** - 3765 to 4715 kg

**PAYLOAD CAPACITY<sup>3</sup>** - 565 to 655 kg

**FUEL CONSUMPTION<sup>2</sup>** - 14.8 City/10.3 Highway L/100 km

4x4 4.6-litre, i-FORCE V8 with automatic transmission

## SELECT FEATURES

- 310 hp, 4.6-litre, i-FORCE V8, DOHC, 32-valve, Dual VVT-i engine with sequential multiport electronic fuel injection.
- 381 hp, 5.7-litre, i-FORCE V8, DOHC, 32-valve, Dual VVT-i engine with sequential multiport electronic fuel injection.
- Power-assisted, 4-wheel ventilated disc brakes.
- 6-speed, automatic, Super Electronically Controlled Transmission with overdrive, sequential shift mode, lock-up torque converter.
- AM/FM CD/MP3/WMA player, audio auxiliary input jack, 6-speakers.
- Windshield wiper de-icer.
- Easy lower and lift tailgate, cargo bed tie-downs and removable locking tailgate.
- Heated, power adjustable exterior mirrors.

**A.** 4x4 Double Cab with Upgrade Package shown in Pyrite Mica.

**B.** 4x2 Double Cab SR5 5.7-litre interior shown in Graphite fabric.

**C.** The 40/20/40 split front bench seat has a fold-down console storage box to accommodate a variety of work items. **D.** The overhead sunglass storage allows easy access for your eyewear.



**A**



**B**



**C**



**D**

# CrewMax

CrewMax is a rugged truck that doubles as a comfortable mobile office with plenty of leg and headroom for you and your crew. CrewMax is available in two models: the SR5 and Limited. The Platinum package adds extra luxury touches like, power adjustable heated and ventilated captain's seats, woodgrain with chrome accents, and 20-inch multi-spoke rims.



Short Bed

**TOWING CAPACITY** - 4580 kg

**PAYLOAD CAPACITY**<sup>3</sup> - 590 to 600 kg

**FUEL CONSUMPTION**<sup>2</sup> - 16.7 City/12.1 Highway L/100 km

4x4 5.7-litre, i-FORCE V8 with automatic transmission

## SELECT FEATURES

- 381 hp, 5.7-litre, i-FORCE V8, DOHC, 32-valve, Dual VVT-i engine with sequential multiport electronic fuel injection.
- Power-assisted, 4-wheel ventilated disc brakes.
- 6-Speed, automatic, Super Electronically Controlled Transmission with overdrive, transmission cooler, console mounted gate-type shifter.
- Integrated XM® satellite radio, Bluetooth®<sup>4</sup> capability, USB audio input, in-dash 6-disc CD changer.
- Power adjustable driver's seat.
- Short bed (5.5 feet).
- Power vertically sliding rear window.
- Electric rear window defroster.

**A.** 4x4 CrewMax SR5 shown in Silver Sky Metallic. **B/C.** 4x4 CrewMax Limited interior shown in Graphite leather trim. For on-site meetings, the rear seat folds flat to create an expansive work surface. **D.** The innovative console storage box helps organize your hanging files, store a laptop computer and other work essentials.



A



B



C



D

# Safety

Because on-the-job safety is as important to us as it is to you, every Tundra protects you and your passengers with standard occupant safety features that includes dual-stage driver and front passenger airbags, front knee airbags, front seat-mounted side airbags, front and rear roll-sensing curtain shield airbags (Regular Cab-front curtain shield airbags).<sup>1</sup> With a reinforced cab and an extruded front bumper that helps transfer front-impact forces through the frame-rails and away from the people inside, Tundra is built to protect.



**BIG VENTILATED DISC BRAKES.** Front and rear (74 square inches of swept area, with 4 pistons in front) ventilated disc brakes quickly and effectively shed the extreme heat that builds up when hauling or towing the heaviest cargo.

## STAR SAFETY SYSTEM™

2011 Tundra comes standard with the Star Safety System™. This integration of active safety features is designed to protect occupants by helping drivers avoid accidents in the first place. The Star Safety System™ includes Vehicle Stability Control (VSC),<sup>6</sup> Traction Control (TRAC), Anti-lock Brake System (ABS), Electronic Brake-force Distribution (EBD), Brake Assist (BA),<sup>7</sup> and Smart Stop Technology (SST).<sup>8</sup>

- VSC** VEHICLE STABILITY CONTROL<sup>6</sup>
- TRAC** TRACTION CONTROL
- ABS** ANTI-LOCK BRAKE SYSTEM
- EBD** ELECTRONIC BRAKE-FORCE DISTRIBUTION
- BA** BRAKE ASSIST<sup>7</sup>
- SST** SMART STOP TECHNOLOGY<sup>8</sup>

Toyota is the first full-line manufacturer to make all of the elements of the Star Safety System™ standard on every new 2011 vehicle. Visit [toyota.ca](http://toyota.ca) for more details.

# Toyota Quality

Quality is built right into the production process from the selection of raw materials, right down to the vehicle's final inspection. And it is the responsibility of everyone to ensure the highest quality possible on each and every vehicle. It's through Toyota's philosophy of 'Kaizen' that we are always looking for ways to continually improve. That's how we make things better.

**THE TOYOTA PRODUCTION PROCESS** is one that is constantly evolving. With our "Just-In-Time" practice, the goal is to make certain that during the manufacturing process, only what is needed gets produced. The result is twofold: because there's no excess supply, any issues are exposed and promptly resolved to ensure that everything off of the Toyota assembly line is of exceptional quality.

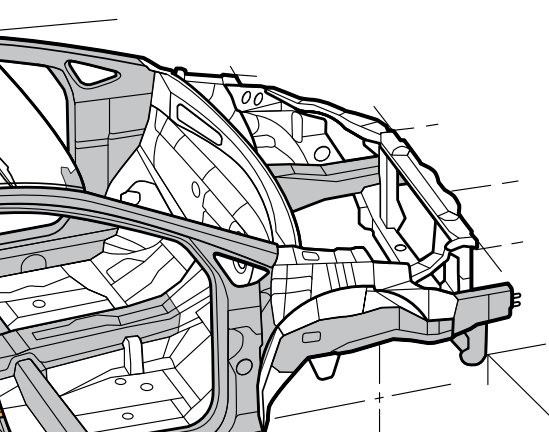


**THE HUMAN TOUCH.** As impressive as the machinery is, the achievement of perfect fit and finish is also the result of continuous human touch for every step of the way.

**TOYOTA CANADA COLD RESEARCH CENTRE.** Located in Timmins, Ontario, our teams test Toyota vehicles in actual Canadian winter conditions at our cold weather testing track to ensure that they remain dependable throughout the long winter months.



For more information visit [toyota.ca](http://toyota.ca)



# 2011 Colours



040 Alpine White<sup>A,B,E,F</sup>



1D6 Silver Sky Metallic<sup>A,B,E,F</sup>



1G3 Magnetic Grey Metallic<sup>A,B,E,F,G</sup>



202 Black<sup>A,B,E,F,G</sup>



3L5 Radiant Red<sup>A,B,F</sup>



3R3 Barcelona Red Metallic<sup>A,B,D,F,G</sup>



4T3 Pyrite Mica<sup>C,D,E</sup>



8S6 Nautical Blue Metallic<sup>A,B,E,F</sup>

Please see your Toyota Dealer for details.

# Interior colour options

- <sup>A</sup> Graphite Fabric.
- <sup>B</sup> Black Fabric.
- <sup>C</sup> Sand Beige Fabric.
- <sup>D</sup> Sand Beige Leather Trim.
- <sup>E</sup> Graphite Leather Trim.
- <sup>F</sup> Black Leather.
- <sup>G</sup> Red Rock Leather Trim.

# New vehicle warranty summary

NO DEDUCTIBLES – NO TRANSFER FEES

**COMPREHENSIVE COVERAGE - 3 YEARS OR 60,000 KM** This warranty includes 24 hour Roadside Assistance and other benefits, as well as coverage of repairs on any part of the vehicle that is defective in material or workmanship under normal use and maintenance. Different warranties apply to original tires.

**POWERTRAIN COMPONENTS - 5 YEARS OR 100,000 KM** This warranty covers repairs to powertrain components that are defective in material or workmanship under normal use and maintenance.

**MAJOR EMISSION CONTROL COMPONENTS - 8 YEARS OR 130,000 KM** This warranty covers repairs to specified major emission components that are defective in material or workmanship under normal use and maintenance.

**CORROSION PERFORATION - 5 YEARS UNLIMITED DISTANCE** Any sheet metal found, under normal use, to have developed a perforation from corrosion due to defects in material or workmanship.

# Accessories

Personalize your vehicle to enhance its appearance and performance with Toyota Accessory Parts. Your Toyota Dealer can help you select the right accessories to suit your individual style. Many of Toyota's Accessory Parts can be residualized or advanced through Toyota Financial Services when purchased at the time of a new vehicle sale, and all are backed by a Toyota Warranty. To view a complete list of accessories specifically designed for your vehicle, visit [customizeyourtoyota.ca](http://customizeyourtoyota.ca), your local Dealer or [toyota.ca](http://toyota.ca).

Personalize your Tundra with interior and exterior accessories that suit your individual needs.

## INTERIOR

- All-Season Mats
- Bluetooth®
- Bongiovi Acoustics DPS
- Door Sill Protectors

## EXTERIOR

- Block Heater
- Hitch Mounted Bike Carrier
- Hood Deflector
- Rear Bumper Step
- Remote Engine Start
- Running Boards
- Security System
- Side Step Bars 3" & 4" Oval
- Side Window Visors
- Skid Plate
- Towing Accessories
- Towing Mirrors

## BED ACCESSORIES

- Bed Divider
- Bed Extender
- Bed Liner
- Bed Rail w/Cleats
- Cargo Mat
- Cargo Net
- Hard/Soft Trifold Tonneau Cover

## TRD ACCESSORIES

- TRD Air Filter
- TRD Big Brake Kit
- TRD Oil Cap
- TRD Oil Filter
- TRD Performance Brake Pads
- TRD Performance Suspension Kit
- TRD Rear Sway Bar



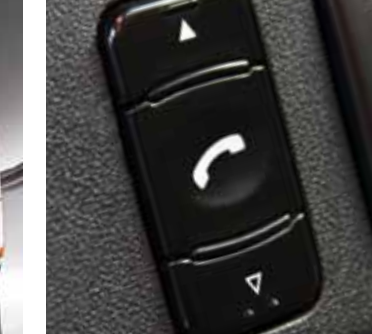
Hard Trifold Tonneau Cover



Skid Plate



Towing Mirrors



Bluetooth®



All-Season Mats



Side Step Bars 4" Oval



TRD Big Brake Kit



Side Window Visors



Rear Bumper Step



Hood Deflector



Running Boards



Bed Extender



Bed Liner

**ACCESSORIES SHOWN** Tundra all dressed up with Hood Deflector, Side Window Visors, Towing Mirrors and Running Board.





## 2011 Tundra 4x4 Features

	Regular Cab		Double Cab			CrewMax		
	Std	Long	Std	SR5 Std	Long	Ltd Std	SR5 Short	Ltd Short
<b>EXTERIOR</b>	5.7L	5.7L	4.6L	5.7L	5.7L	5.7L	5.7L	5.7L
18" Styled Steel Wheels	●	●	●	●	–	–	–	–
18" Aluminum Alloy Wheels, Wheel Locks	–	–	–	–	●	–	●	–
20" 5-Spoke Aluminum Alloy Wheels, Wheel Locks	–	–	–	–	–	●	–	●
8-Foot Cargo Bed	–	●	–	–	●	–	–	–
6.5-Foot Cargo Bed	●	–	●	●	–	●	–	–
5.5-Foot Cargo Bed	–	–	–	–	–	–	●	●
High Solar Energy Absorbing Window Glass	●	●	●	●	–	–	–	–
Rear Window Privacy Glass	–	–	–	–	●	●	●	●
Dual Heated, Power Adjustable Foldable Mirrors	●	●	●	●	●	●	●	●
Dual, Power Folding Auto-Dimming Side View Mirrors w/Integrated Signal Lamps & Memory System	–	–	–	–	–	●	–	●
Extendable Heated, Power Adjustable Mirrors w/Turn Signals	–	●	–	–	●	–	●	–
Front & Rear Splash Guards	●	●	●	●	●	●	●	●
Heavy Duty Tow Hitch Receiver, 4 Pin/7 Pin Trailer Wire Harness, Electronic Trailer Brake Control Connector, Class IV Weight Distribution Trailer Hitch	●	●	●	●	●	●	●	●
Black Door & Tailgate Handles	●	●	●	●	●	–	●	–
Black Resin Front Bumper, Black Steel Rear Step Bumper, Black Resin Front Grille	●	●	–	–	–	–	–	–
Coloured Resin Front Bumper	–	–	●	●	●	●	●	●
Chrome Grille, Chrome Rear Step Bumper	–	–	●	●	●	●	●	●
Limited Grade Front Grille	–	–	–	–	–	●	–	●
Chrome Mirrors & Chrome Finished Door Handles	–	–	–	–	–	–	●	–
Power Tilt/Slide Moonroof w/Sunshade	–	–	–	–	–	–	–	●
2-Speed Wipers, Windshield Wiper De-Icer	●	●	–	–	–	–	–	–
Variable Intermittent Wipers, Windshield Wiper De-Icer	–	–	●	●	●	●	●	●
Electric Rear Window Defroster	–	–	–	–	–	–	●	●
Automatic Headlamp System	–	–	–	–	–	●	–	●
Adjustable Headlamp Levelling System	–	–	–	–	●	●	●	●
Automatic Headlamp Cancel Function	●	●	●	●	●	–	●	–
Fog Lamps	–	–	–	–	●	●	●	●
Bed Rail Caps, Cargo Bed Tie-Downs	●	●	●	●	●	●	●	●
Easy Lower & Lift Tailgate Removable Locking Tailgate	●	●	●	●	●	●	●	●
Bed Rail System, Tie-Down Cleats [Set of 4]	–	–	–	–	–	●	●	●

● = Standard ○ = Optional – = Not Available

	Regular Cab		Double Cab			CrewMax		
	Std	Long	Std	SR5 Std	Long	Ltd Std	SR5 Short	Ltd Short
<b>PACKAGES</b>	5.7L	5.7L	4.6L	5.7L	5.7L	5.7L	5.7L	5.7L

### Regular Cab TRD Off-Road Package:

Bed Rail System, Tie-Down Cleats, Keyless Entry, Power Door Locks & Windows w/Driver Side Auto Down, Console Mounted Gate-Type Shifter Lever, Tilt & Telescopic Steering Wheel, Integrated XM® Satellite Radio, Bluetooth® Capability, Steering Wheel Audio Controls, USB Audio Input, Premium Cloth Seats, Front Bucket Seats w/Recline, Front Passenger Flat Folding Seat, Sliding Rear Window, Front Console Box, Auto-Dimming Rear View Mirror w/Digital Compass, Carpeting, Carpet Floor Mats, Vehicle Anti-Theft System, Integrated Garage Door Opener, Colour-Keyed & Chrome Front Bumper, Chrome Grille & Rear Step Bumper, Variable Intermittent Wipers, 18" Aluminum Alloy Wheels w/Wheel Locks, P275/65R18 Raised White Letter Tires, Front & Rear Bilstein Shock Absorbers, Outside Temperature Gauge, Automatic Transmission Oil Temperature Gauge, Fog Lamps, TRD Decals, Silver Accented Instrument Panel, Rear Privacy Glass, Fuel Tank Protector, Footwell Lamps, Glove Box Lamp, Map Lamps

### Regular Cab SR5 Package:

Bed Rail System, Tie-Down Cleats, Power Door Locks & Windows w/Driver Side Auto Down, Keyless Entry, Premium Cloth Seats, Front Passenger Flat Folding Seat, Sliding Rear Window, Colour-Keyed & Chrome Front Bumper, Chrome Grille & Rear Step Bumper, Variable Intermittent Wipers, Carpeting, Carpet Floor Mats, 18" Aluminum Alloy Wheels w/Wheel Locks, P275/65R18 Tires, SR5 Badges, Outside Temperature Gauge, Silver Accented Instrument Panel, Rear Privacy Glass, Footwell Lamps, Glove Box Lamp

### Double Cab Upgrade Package:

Front Bucket Seats, Power 8-Way Driver Seat, Console Mounted Gate-Type Shifter Lever, Tilt & Telescopic Steering Wheel, Rear Privacy Glass, Overhead Console Box, Sliding Rear Window, Front Console Box, Auto-Dimming Rear View Mirror w/Digital Compass, 18" Aluminum Alloy Wheels w/Wheel Locks, P275/65R18 Tires, Trip Computer, Under Rear Seat Storage Trays, Integrated Garage Door Opener, Fog Lamps, Integrated XM® Satellite Radio, Bluetooth® Capability, Steering Wheel Audio Controls, USB Audio Input, Map Lamps

### Double Cab TRD Off-Road Package:

Upgrade Package plus: Front & Rear Bilstein Shock Absorbers, Bed Rail System, Tie-Down Cleats, Power Sliding Rear Window, Raised White Letter Tires, Unique Alloy Wheels, TRD Decals, Adjustable Headlamp Levelling System, Vehicle Anti-Theft System, Front & Rear Clearance Sonar, Fuel-Tank Protector

	Regular Cab		Double Cab			CrewMax		
	Std	Long	Std	SR5 Std	Long	Ltd Std	SR5 Short	Ltd Short
<b>PACKAGES (cont'd)</b>	5.7L	5.7L	4.6L	5.7L	5.7L	5.7L	5.7L	5.7L

### Double Cab Leather & Navigation Package:

Upgrade Package plus: DVD Based Navigation System<sup>2</sup> Bed Rail System, Tie-Down Cleats, Power Sliding Rear Window, Leather Seat Surfaces, Heated Front Seats, Front & Rear Clearance Sonar, Adjustable Headlamp Levelling System, Vehicle Anti-Theft System (Delete Integrated XM® Satellite Radio, Bluetooth® Capability, Steering Wheel Audio Controls, USB Audio Input)

### Double Cab Long Bed Upgrade Package:

Bed Rail System, Tie-Down Cleats, Power Sliding Rear Window, Front & Rear Clearance Sonar, Vehicle Anti-Theft System

### Double Cab LTD Navigation Package:

DVD-Based Navigation System<sup>2</sup> w/Backup Camera, 7.0" LCD Display, XM® Real-Time Traffic Capability,<sup>3</sup> 4-Disc CD Changer (Delete 6-Disc CD Changer)

### CrewMax – 4x4 TRD Off-Road Package:

Front & Rear Bilstein Shock Absorbers, P275/65R18 Raised White Letter Tires, Unique Alloy Wheels, Front & Rear Clearance Sonar, Power Moonroof, Auto-Dimming Rear View Mirror w/Backup Camera & Digital Compass, Vehicle Anti-Theft System, TRD Decals, Fuel Tank Protector

### CrewMax Platinum Package:

Perforated Leather Seat Surfaces, Driver & Front Passenger Heated & Ventilated Bucket Seats, Power Front Windows w/Auto Up/Down, Chrome Inner Door Handles, 20" Multi-Spoke Aluminum Alloy Wheels, Colour-Keyed & Chrome Front Bumper, Woodgrain & Leather-Wrapped Steering Wheel, Interior Chrome Trim, Platinum Badges

### CrewMax LTD Navigation Package:

Platinum Package plus: DVD-Based Navigation System<sup>2</sup> w/Backup Camera, 7.0" LCD Display, XM® Real-Time Traffic Capability,<sup>3</sup> 4-Disc CD Changer (Delete 6-Disc CD Changer)

### Bed Liner Package :

Bed Liner

## 2011 Tundra 4x4 Specifications

	Regular Cab		Double Cab			CrewMax		
	Std	Long	Std	SR5 Std	Long	Ltd Std	SR5 Short	Ltd Short
<b>MECHANICAL</b>	5.7L	5.7L	4.6L	5.7L	5.7L	5.7L	5.7L	5.7L

### Engine

4.6 Litre, i-FORCE V8, DOHC, 32-Valve, Dual Variable Valve Timing w/Intelligence [Dual VVT-i], Sequential Multiport Electronic Fuel Injection, Engine Oil Cooler

5.7 Litre, i-FORCE V8, DOHC, 32-Valve, Dual Variable Valve Timing w/Intelligence [Dual VVT-i], Sequential Multiport Electronic Fuel Injection, Engine Oil Cooler

### Compression Ratio

10.2:1

### Horsepower

310 hp [231 kW] @ 5,600 rpm

381 hp [284 kW] @ 5,600 rpm

### Torque

327 lb.ft. [443 N.m.] @ 3,400 rpm

401 lb.ft. [544 N.m.] @ 3,600 rpm

### Suspension

**Front:** Independent Coil Springs, High-mounted, Double-Wishbone w/Stabilizer Bar & Gas-Filled Shock Absorbers

**Rear:** Rear Live Axle w/Multi-Leaf Spring Suspension & Staggered Outboard-Mounted Gas-Filled Shock Absorbers

**Front/Rear:** Bilstein Shock Absorbers

### Drivetrain

Automatic Limited Slip Rear Differential, Vehicle Stability Control (VSC)<sup>6</sup> w/Active Traction Control (A-TRAC), One-Touch 4WD, Engine & Transfer Case Protector Plates, Engine Undercover

### Transmission

6-Speed, Automatic, Super Electronically Controlled Transmission (Super ECT), Sequential Shift Mode, Overdrive, Tow/Haul Mode, Lock-Up Torque Converter

Transmission Cooler, Automatic Transmission Fluid Warmer

Column Shifter

Console Mounted Gate-Type Shifter

### Brakes

Power-Assisted, 4-Wheel Ventilated Discs, Anti-lock Brake System (ABS) w/Electronic Brake-force Distribution (EBD), Brake Assist (BA)<sup>7</sup>, 14" Front Wheel Discs

### Steering

Rack & Pinion w/Variable Power Assist

### Tires

P255/70R18, All-Season Radials, Temporary Spare w/Steel Wheel

P275/65R18, All-Season Radials, Temporary Spare w/Steel Wheel

P275/65R18, Raised White Letter Tires, Temporary Spare w/Steel Wheel

P275/55R20, All-Season Radials, P255/70R18 Temporary Spare w/Steel Wheel



## 2011 Tundra 4x4 Specifications

		Regular Cab		Double Cab			CrewMax		
		Std	Long	Std	SRS Std	Long	Ltd Std	SRS Short	Ltd Short
<b>DIMENSIONS</b>	<b>mm (in.)</b>	5.7L	5.7L	4.6L	5.7L	5.7L	5.7L	5.7L	5.7L
<b>Length</b>	5329 (209.8)	●	-	-	-	-	-	-	-
	5810 (228.7)	-	●	●	●	-	●	●	●
	6290 (247.6)	-	-	-	-	●	-	-	-
<b>Width</b>	2030 (79.9)	●	●	●	●	●	●	●	●
<b>Height (Unloaded)</b>	1935 (76.2)	●	●	-	-	●	-	-	-
	1940 (76.3)	-	-	●	●	-	●	●	●
<b>Cargo Bed Length</b>	2480 (97.6)	-	●	-	-	●	-	-	-
	2000 (78.7)	●	-	●	●	-	●	-	-
	1695 (66.7)	-	-	-	-	-	-	●	●
<b>Cargo Bed Width</b> (Between Wheel Wells)	1270 (50.0)	●	●	●	●	●	●	●	●
<b>Cargo Bed Depth</b>	564 (22.2)	●	●	●	●	●	●	●	●
<b>Wheelbase</b>	3220 (126.8)	●	-	-	-	-	-	-	-
	3700 (145.6)	-	●	●	●	-	●	●	●
	4180 (164.5)	-	-	-	-	●	-	-	-
<b>Track</b>	<b>Front:</b> 1725 (67.9)	●	●	●	●	●	●	●	●
	<b>Rear:</b> 1725 (67.9)	●	●	●	●	●	●	●	●
<b>Seating Capacity</b>	2	○	-	-	-	-	-	-	-
	3	●	●	-	-	-	-	-	-
	5	-	-	○	○	●	●	●	●
	6	-	-	●	●	-	-	-	-
<b>Headroom</b>	<b>Front:</b> 1021 (40.2)	●	●	●	●	●	●	●	●
	<b>Rear:</b> 983 (38.7)	-	-	●	●	●	●	●	●
<b>Legroom</b>	<b>Front:</b> 1079 (42.5)	●	●	●	●	●	●	●	●
	<b>Rear:</b> 882 (34.7)	-	-	●	●	●	-	-	-
	<b>Rear:</b> 1131 (44.5)	-	-	-	-	-	-	●	●
<b>Shoulder Room</b>	<b>Front:</b> 1692 (66.6)	●	-	●	●	●	●	●	●
	<b>Front:</b> 1694 (66.7)	-	●	-	-	-	-	-	-
	<b>Rear:</b> 1668 (65.7)	-	-	●	●	●	●	-	-
	<b>Rear:</b> 1662 (65.4)	-	-	-	-	-	-	●	●
<b>Ground Clearance</b>	275 (10.8)	●	-	●	-	-	-	-	-
	270 (10.6)	-	●	-	●	●	-	●	-
	265 (10.4)	-	-	-	-	-	-	●	●
<b>Approach Angle (degrees)</b>	28	●	●	-	-	-	-	-	●
	29	-	-	●	●	●	●	●	-
<b>Departure Angle (degrees)</b>	27	●	-	-	-	-	-	-	-
	21	-	●	-	-	-	-	-	-
	20	-	-	●	●	●	●	●	●

● = Standard ○ = Optional - = Not Available

## 2011 Tundra 4x2 Features

	Regular Cab		Double Cab			CrewMax		
	Long	SRS	Std	Long	Ltd	SRS Short	Ltd Short	
<b>INTERIOR</b>	5.7L	4.6L	5.7L	5.7L	5.7L	5.7L	5.7L	
AM/FM CD/MP3/WMA Player, 4-Speakers, Audio Auxiliary Input Jack, Antenna Pole	●	-	-	-	-	-	-	
AM/FM CD/MP3/WMA Player, 6-Speakers, Audio Auxiliary Input Jack, Antenna Pole	-	●	-	-	-	-	-	
AM/FM CD/MP3/WMA Player, 6-Speakers, Audio Auxiliary Input Jack, Integrated XM® Satellite Radio, Bluetooth® Capability, Steering Wheel Audio Controls, USB Audio Input, Antenna Pole	-	-	●	-	-	-	-	
Dual Zone Climate Control, Cabin Air Filter	●	●	●	-	-	-	-	
Rear Seat Heater Ducts	-	●	●	-	-	-	-	
Full Fabric Seat Material	●	-	-	-	-	●	-	
Premium Cloth Seat Material	-	●	●	-	-	-	-	
40/20/40 Split Front Bench Seat	●	●	-	-	-	-	-	
Driver & Front Passenger Bucket Seats	-	-	●	-	-	●	●	
Driver Seat w/Recline, Fore/Aft Adjustments	●	●	-	-	-	-	-	
Driver Seat Cushion-Height Adjustment	-	●	-	-	-	-	-	
Power 8-Way Driver Seat w/Recline, Fore/Aft, Cushion-Height Adjustments	-	-	●	-	-	-	-	
Front Passenger Seat w/Recline, Fore/Aft Adjustments	●	●	●	-	-	-	-	
Front Passenger Seat Fold-Down Seat Back	●	-	-	-	-	-	-	
60/40 Split Rear Bench Seat w/Fold-Up Seat Cushions	-	●	●	-	-	-	-	
All-Position Vertically Adjustable Headrests	●	●	●	-	-	-	-	
Power Door Locks	-	●	●	-	-	-	-	
Power Windows w/Driver Side Auto-Down	-	●	●	-	-	-	-	
Fixed Rear Window	●	●	-	-	-	-	-	
Sliding Rear Window	-	-	●	-	-	-	-	
Voltmeter, Water Temperature Gauge, Dual Trip Odometer, Tachometer, Automatic Transmission Oil Temperature Gauge	●	●	●	-	-	-	-	
Outside Temperature Gauge	-	●	●	-	-	-	-	
Dual Vanity Mirrors	-	●	●	-	-	-	-	
Auto-Dimming Rear View Mirror w/Digital Compass	-	-	●	-	-	-	-	
4-Spoke Tilt Steering Wheel	●	●	-	-	-	-	-	
4-Spoke Tilt & Telescopic Steering Wheel	-	-	●	-	-	-	-	
Fabric Door Trim	-	●	●	-	-	-	-	
Vinyl Floor	●	-	-	-	-	-	-	
Carpeting, Carpet Floor Mats	-	●	●	-	-	-	-	
Cruise Control	●	●	●	-	-	-	-	
Digital Clock	●	●	●	-	-	-	-	
Front Console Storage Box w/Lid, Overhead Console Box	-	-	●	-	-	-	-	
Under Rear Seat Storage Trays	-	-	●	-	-	-	-	
Integrated Garage Door Opener	-	-	●	-	-	-	-	
Overhead Sunglass Storage	●	●	●	-	-	-	-	
Front Cupholders	●	-	-	-	-	-	-	
Front & Rear Cupholders	-	●	●	-	-	-	-	
Retained Accessory Power	-	●	●	-	-	-	-	
Accessory Power Outlet (12v)	●	●	●	-	-	-	-	
Footwell Lamps, Glove Box Lamp	-	●	●	-	-	-	-	
Map Lamps	-	-	●	-	-	-	-	
Keyless Entry	-	●	●	-	-	-	-	
Illuminated Entry	●	●	●	-	-	-	-	

	Regular Cab		Double Cab		
	Long	SRS	Std	Long	Ltd
<b>EXTERIOR</b>	5.7L	4.6L	5.7L	5.7L	5.7L
18" Styled Steel Wheels	●	●	-	-	-
18" Aluminum Alloy Wheels, Wheel Locks	-	-	-	-	●
8-Foot Cargo Bed	●	-	-	-	●
6.5-Foot Cargo Bed	-	●	-	-	-
High Solar Energy Absorbing Window Glass	●	●	●	-	-
Rear Window Privacy Glass	-	-	-	-	●
Foldable Mirrors	●	●	●	-	-
Dual Heated Power Adjustable Mirrors	-	●	-	-	-
Extendable Heated, Power Adjustable Mirrors w/Turn Signals	●	-	-	-	●
Front & Rear Splash Guards	●	●	●	-	-
Heavy Duty Tow Hitch Receiver, 4 Pin/7 Pin Trailer Wire Harness, Electronic Trailer Brake Control Prewire, Class IV Weight Distribution Trailer Hitch	●	●	●	-	-
Black Door & Tailgate Handles	●	●	●	-	-
Black Resin Front Bumper	●	-	-	-	-
Coloured Resin Front Bumper	-	●	●	-	-
Black Resin Front Grille	●	-	-	-	-
Chrome Grille	-	●	●	-	-
Black Steel Rear Step Bumper	●	-	-	-	-
Chrome Steel Rear Step Bumper	-	●	●	-	-
2-Speed Wipers, Windshield Wiper De-Icer	●	-	-	-	-
Variable Intermittent Wipers, Windshield Wiper De-Icer	-	●	●	-	-
Adjustable Headlamp Levelling System	-	-	-	-	●
Automatic Headlamp Cancel Function	●	●	●	-	-
Fog Lamps	-	-	-	-	●
Bed Rail Caps	●	●	●	-	-
Easy Lower & Lift Tailgate, Removable Locking Tailgate	●	●	●	-	-

## 2011 Tundra 4x2 Features

	Regular Cab		Double Cab	
	Long	Std	SRS	Long
	5.7L	4.6L	5.7L	
<b>SAFETY</b>				
<b>STAR SAFETY SYSTEM™</b> Star Safety System™ – includes Vehicle Stability Control (VSC) <sup>6</sup> , Traction Control (TRAC), Anti-lock Brake System (ABS), Electronic Brake-force Distribution (EBD), Brake Assist (BA) <sup>7</sup> & Smart Stop Technology (SST) <sup>8</sup>	●	●	●	
Dual-Stage Driver & Passenger Airbag Supplemental Restraint System (SRS) <sup>1</sup>	●	●	●	
Front Passenger Airbag Occupancy Classification Indicator	●	●	●	
Front Seat-Mounted Side Airbags (SRS) <sup>1</sup>	●	●	●	
Front Knee Airbags (SRS) <sup>1</sup>	●	●	●	
Roll-Sensing Front Head/Side Curtain Airbags (SRS) <sup>1</sup>	●	–	–	
Roll-Sensing Front & Rear Head/Side Curtain Airbags (SRS) <sup>1</sup>	–	●	●	
Front Passenger Airbag Off Switch	●	–	–	
Head/Side Curtain Airbags Off Switch	●	●	●	
Child Protector Rear Door Locks	–	●	●	
Anchor Points for Child Restraint Seats	●	●	●	
All-Position 3-Point Lap & Shoulder Belts	●	●	●	
Adjustable "B" Pillar Shoulder Belt Anchors	●	●	●	
Engine Immobilizer	●	●	●	
Automatic Transmission Oil Temperature, Low Fuel, Low Washer Fluid & Door Ajar Warning Indicators	●	●	●	
Direct Tire Pressure Monitoring System	●	●	●	
<b>PACKAGES</b>				
<b>Regular Cab SR5 Package:</b>				
Bed Rail System, Tie-Down Cleats, Power Door Locks & Windows, Silver Accented Instrument Panel Centre Cluster, Keyless Entry, Sliding Rear Window, Rear Privacy Glass, Premium Cloth Seats, Front Passenger Flat Folding Seat, Colour-Keypad & Chrome Front Bumper, Chrome Grille & Rear Bumper, Variable Intermittent Wipers, Carpeting, Carpet Floor Mats, 18" Aluminum Alloy Wheels w/Wheel Locks, P275/65R18 Tires, Outside Temperature Gauge, SR5 Badges, Footwell Lamps, Glove Box Lamp	○	–	–	
<b>Double Cab SR5 Package:</b>				
Front Bucket Seats, Power 8-Way Driver Seat, Console Mounted Gate-Type Shifter Lever, Tilt & Telescopic Steering Wheel, Rear Privacy Glass, Overhead Console Box, Sliding Rear Window, Front Console Box, Auto-Dimming Rear View Mirror w/Digital Compass, 18" Aluminum Alloy Wheels w/Wheel Locks, P275/65R18 Tires, Under Rear Seat Storage Trays, Integrated Garage Door Opener, Fog Lamps, Map Lamps, Integrated XM® Satellite Radio, Bluetooth®* Capability, Steering Wheel Audio Controls, 6-Speaker Audio System, Silver Accented Instrument Panel Centre Cluster, Engine Undercover, Trip Computer	–	○	–	
<b>Bed Liner Package :</b>				
Bed Liner	○	○	○	

## 2011 Tundra 4x2 Specifications

	Regular Cab		Double Cab	
	Long	Std	SRS	Long
	5.7L	4.6L	5.7L	
<b>MECHANICAL</b>				
<b>Engine</b>				
4.6 Litre, i-FORCE V8, DOHC, 32-Valve, Dual Variable Valve Timing w/Intelligence (Dual VVT-i), Sequential Multiport Electronic Fuel Injection, Engine Oil Cooler	–	●	–	
5.7 Litre, i-FORCE V8, DOHC, 32-Valve, Dual Variable Valve Timing w/Intelligence (Dual VVT-i), Sequential Multiport Electronic Fuel Injection, Engine Oil Cooler	●	–	●	
<b>Compression Ratio</b>				
10.2:1	●	–	●	
<b>Horsepower</b>				
310 hp [231 kW] @ 5,600 rpm	–	●	–	
381 hp [284 kW] @ 5,600 rpm	●	–	●	
<b>Torque</b>				
327 lb.ft. [443 N.m.] @ 3,400 rpm	–	●	–	
401 lb.ft. [544 N.m.] @ 3,600 rpm	●	–	●	
<b>Suspension</b>				
<b>Front:</b> Independent Coil Springs, High-mounted, Double-Wishbone w/Stabilizer Bar & Gas-Filled Shock Absorbers	●	●	●	
<b>Rear:</b> Rear Live Axle w/Multi-Leaf Spring Suspension & Staggered Outboard-Mounted Gas-Filled Shock Absorbers	●	●	●	
<b>Drivetrain</b>				
Automatic Limited Slip Rear Differential, Vehicle Stability Control (VSC) <sup>6</sup> , Traction Control (TRAC)	●	●	●	
<b>Transmission</b>				
6-Speed, Automatic, Super Electronically Controlled Transmission (Super ECT), Sequential Shift Mode, Overdrive, Tow/Haul Mode, Lock-Up Torque Converter	●	●	●	
Transmission Cooler, Automatic Transmission Fluid Warmer	●	●	●	
Column Shifter	●	●	–	
Console Mounted Gate-Type Shifter	–	○	●	
<b>Brakes</b>				
Power-Assisted, 4-Wheel Ventilated Discs, Anti-lock Brake System (ABS) w/Electronic Brake-force Distribution (EBD), Brake Assist (BA) <sup>7</sup>	●	●	●	
<b>Steering</b>				
Rack & Pinion w/Variable Power Assist	●	●	●	
<b>Tires</b>				
P255/70R18, All-Season Radials, Temporary Spare w/Steel Wheel	●	●	–	
P275/65R18, All-Season Radials, Temporary Spare w/Steel Wheel	○	○	●	

● = Standard ○ = Optional – = Not Available

**Toyota Canada Inc.** Every effort has been made to ensure the specifications and equipment shown are accurate based on information available at time of printing. In some cases, certain changes in production capacity, standard equipment, options or product delays may occur which would not be reflected in this brochure. Toyota Canada Inc. reserves the right to make these changes without notice or obligation. The Toyota website [toyota.ca](http://toyota.ca) – or your Toyota Dealer is your best source for up-to-date information.

	Regular Cab		Double Cab	
	Long	Std	SRS	Long
	5.7L	4.6L	5.7L	
<b>DIMENSIONS</b>	<b>mm (in.)</b>			
<b>Length</b>	5810 [228.7]	●	●	–
	6290 [247.6]	–	–	●
<b>Width</b>	2030 [79.9]	●	●	●
<b>Height (Unloaded)</b>	1925 [75.7]	●	–	●
	1930 [75.9]	–	●	–
<b>Cargo Bed Length</b>	2480 [97.6]	●	–	●
	2000 [78.7]	–	●	–
<b>Cargo Bed Width</b> (Between Wheel Wells)	1270 [50.0]	●	●	●
<b>Cargo Bed Depth</b>	564 [22.2]	●	●	●
<b>Wheelbase</b>	3700 [145.6]	●	●	–
	4180 [164.5]	–	–	●
<b>Track</b>	<b>Front:</b> 1725 [67.9]	●	●	●
	<b>Rear:</b> 1725 [67.9]	●	●	●
<b>Seating Capacity</b>	3	●	–	–
	5	–	○	●
	6	–	●	–
<b>Headroom</b>	<b>Front:</b> 1021 [40.2]	●	●	●
	<b>Rear:</b> 983 [38.7]	–	●	●
<b>Legroom</b>	<b>Front:</b> 1079 [42.5]	●	●	●
	<b>Rear:</b> 882 [34.7]	–	●	●
<b>Shoulder Room</b>	<b>Front:</b> 1694 [66.7]	●	–	–
	<b>Front:</b> 1692 [66.6]	–	●	●
	<b>Rear:</b> 1668 [65.7]	–	●	●
<b>Ground Clearance</b>	265 [10.4]	●	●	–
	260 [10.2]	–	–	●
<b>Approach Angle</b> (degrees)	27	●	–	–
	28	–	●	●
<b>Departure Angle</b> (degrees)	21	●	–	–
	20	–	●	●

**(1)** All Toyota vehicles shown in this brochure, have Supplemental Restraint Systems (SRS) which, depending on the model, may include driver and front passenger airbags, a driver's knee airbag, front seat-mounted side airbags or side curtain airbags. For important safety information about the Supplemental Restraint System in a vehicle, please see the Owner's Manual or contact your local Toyota Dealer.

**(2)** These estimates are based on the Government of Canada's approved criteria and testing methods. The actual fuel consumption of this vehicle may vary. Refer to the Government of Canada publication *EnerGuide Fuel Consumption Guide*.

**(3)** Payload = Passengers, Equipment, Luggage and Cargo.

**(4)** Toyota tests certain phones for compatibility with Bluetooth technology. Some vehicles equipped with Bluetooth technology are available with bilingual capability. Note that the recommendation of Toyota is not a warranty of the performance for any phone and that some problems may occur with any type of handset based on the service coverage available in your area. Please see your Toyota Dealer for details.

**(5)** The Toyota DVD based Navigation system is designed to assist in locating an address or point of interest. Discrepancies may be encountered between the system and your actual location. Changes in street names, road closures, traffic flow or other road system changes may affect the accuracy of the mapping software. Rely on your common sense to decide whether or not to follow a specified route. Detailed coverage is not available in every city. Optional periodic geographic updates are available at an additional cost. The Navigational systems in some vehicles are available with bilingual capability. Please see your Navigation system Owner's Manual and your Toyota Dealer for further details.

	Regular Cab		Double Cab	
	Long	Std	SRS	Long
	5.7L	4.6L	5.7L	
<b>CURB WEIGHT</b>	<b>kg (lb.)</b>			
	2226 [4910]	●	–	–
	2306 [5085]	–	●	–
	2430 [5355]	–	–	●
<b>TOWING CAPACITY</b>	<b>kg (lb.)</b>			
	4895 [10800]	●	–	–
	3900 [8600]	–	●	–
	4715 [10400]	–	–	●
<b>PAYLOAD<sup>3</sup></b>	<b>kg (lb.)</b>			
	860 [1900]	●	–	–
	605 [1340]	–	●	–
	655 [1455]	–	–	●
<b>TURNING CIRCLE</b>	<b>m (ft.)</b>			
	13.4 [44.0]	●	●	–
	14.9 [49.0]	–	–	●
<b>FUEL CAPACITY</b>	<b>litres (gal)</b>			
	100 [22]	●	●	●
<b>FUEL CONSUMPTION RATING<sup>2</sup></b>	<b>L/100 km</b>		<b>mpg (imperial gallon)</b>	
City/Highway/Combined	14.1/9.9/12.2	20/29/23	–	●
	15.2/10.9/13.3	19/26/21	●	–

**(6)** Vehicle Stability Control (VSC) is an electronic system designed to help the driver maintain vehicle control under adverse conditions. It is not a substitute for safe driving practices. Factors including speed, road conditions and driver steering input can all affect whether VSC will be effective in preventing a loss of control.

**(7)** Brake Assist is designed to help the driver take full advantage of the benefits of ABS. It is not a substitute for safe driving practices. Braking effectiveness also depends on proper brake-system maintenance and tire and road conditions.

**(8)** Smart Stop Technology operates only in the event of certain simultaneous brake and gas pedal applications. When engaged, the system will reduce engine power to help the brakes bring the vehicle to a stop. Factors including speed, road conditions and driver input can all impact stopping distance. Smart Stop Technology is not a substitute for safe and attentive driving and does not guarantee instant stopping.



Yaris Hatchback



Camry Hybrid



RAV4



4Runner



Yaris



Prius



Highlander



Sequoia



Corolla



Venza



Highlander Hybrid



Tacoma



Matrix



Avalon



FJ Cruiser



Tundra

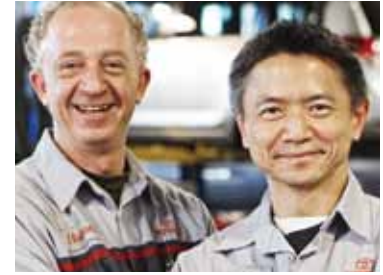


Camry



Sienna

Our Toyota dealers realize that building a lasting relationship is about more than just selling a vehicle. That's why our approachable staff is always happy to assist you, whatever your need may be. To find a Dealer nearest you, visit [toyota.ca](http://toyota.ca)



Toyota recognizes its duty to safeguard the environment. Please recycle.

