

# 2013 Corolla





# This is how the 2013 Corolla is going to make things better

It delivers more than you'd ever expect from a vehicle in its class. Not only does the 2013 Corolla have a stylish, spacious interior and a host of impressive features, it also has incredible fuel efficiency, which means filling up is the last thing you'll be thinking about.

We know that Canadians want to be confident in knowing they've purchased a quality vehicle that is long lasting, reliable and delivers excellent value. Maybe that's why Corolla is Canada's best selling Toyota. And they have been built right at our assembly plant in Cambridge, Ontario since 1988.<sup>8</sup>

Toyota's commitment to safety is demonstrated through our innovative Star Safety System™, and our dedication to reliability is proven by the fact that over 80% of Corollas sold in Canada in the last 20 years are still on the road today\*. Those are just a few reasons why you'll feel more confident than ever sitting behind the wheel.

The 2013 Corolla, like every single one of our vehicles, was built to make things better. It's just how we approach everything we do, every day.

FRONT COVER  
Corolla S with Moonroof Package  
shown in Black Sand Pearl.

\*Based on R. L. Polk Canadian Vehicles In Operation and new registrations MY 1993-2012 as of June 30, 2012.



Corolla S with  
Moonroof Package shown in  
Barcelona Red Metallic.



# Push the envelope

When it comes to technology, Corolla doesn't fall short



**BLUETOOTH®<sup>3</sup>**  
Available hands-free Bluetooth®<sup>3</sup> wireless technology allows you to operate your compatible cellphone with your hands on the wheel. It also lets you stream music directly to the available Display Audio System with Navigation.<sup>4</sup>



**USB PORT AND AUXILIARY AUDIO JACK**  
Plug in your MP3 device and have complete control and freedom to choose and listen to your very own playlist.



**DISPLAY AUDIO SYSTEM WITH NAVIGATION<sup>4</sup>**  
The Display Audio System features a 6.1-inch touch screen with Bluetooth®<sup>3</sup> wireless music streaming, and a unique "text-to-voice" feature that converts text messages from your phone into voice messages, which play through the vehicle's speaker system.



The 2013 Corolla is all about quality, and when that's combined with innovative technology – great things happen. From its vast list of standard features all the way to its impressive high-tech components,

Corolla has everything you need to make your drive easy and more enjoyable. It's not just the little things that make the 2013 Corolla the perfect car – it's the whole package.



**MOONROOF**  
The available moonroof offers a great view of the sky, day or night.



# Built for you

Corolla has the space you need for any trip

Take a seat inside Corolla and you'll notice how spacious it really does feel. The sense of spaciousness is most visible in the flow of the instrument panel and set off by a series of elegant touches, like cool, calming trim and fabric colours. Speaking of stylish, Corolla has available

heated front seats and 8-way power driver's seat with lumbar support, allowing you to always drive in complete comfort. And with a variety of storage areas inside the cabin as well as in the trunk, you'll have room for almost anything, passengers, cargo, or both.



Corolla CE with Convenience Package shown in Black Sand Pearl.



## REAR PASSENGER COMFORT

Rear passengers are not an after-thought with Corolla. There's ample room for three with wide, supportive seats, and an almost perfectly flat floor for greater leg comfort.



## DUAL GLOVE COMPARTMENT

A very large dual glove compartment features a large bin for general storage of items like a camera or a cellphone. Above is a separate enclosure that keeps important documents close at hand.



## 60/40 SPLIT BENCH SEATS

The versatile 60/40 split bench seats can fold-down flat to create a truly surprising amount of cargo space.



## TRUNK SPACE

With a full .35 m<sup>3</sup> [12.3 cu.ft.] of storage space in the trunk, you'll always have room for almost any cargo.





Corolla S shown in Magnetic Grey Metallic.

# Love the drive

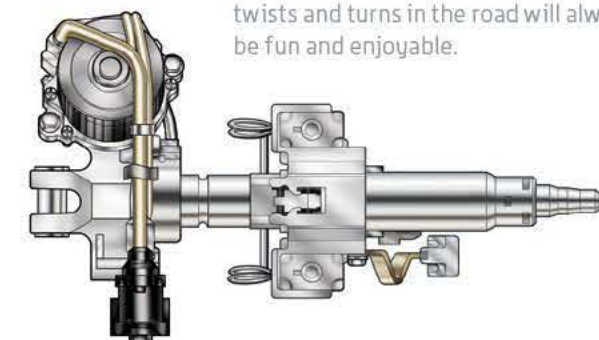
Stopping for gas will be the last thing on your mind

Corolla's standard 1.8-litre 4-cylinder, 132 hp engine doesn't just come with an available automatic or manual transmission – it comes with incredible fuel efficiency. With a combined rating of 6.8 L/100km<sup>2</sup>,

you can fully enjoy the ride – city or highway – without the hassle of constantly searching for the next gas station.



Corolla LE shown in Classic Silver Metallic.



### ELECTRIC POWER STEERING

The Electric Power Steering (EPS) helps steering response, which means taking twists and turns in the road will always be fun and enjoyable.



### MULTI-INFORMATION DISPLAY

Corolla's Multi-Informational Display (MID) keeps the driver informed. In addition to vehicle speed and engine rpm gauges, the MID also provides outside temperature, instant fuel economy, average fuel economy, average speed and travel distance.



# Safe and sound

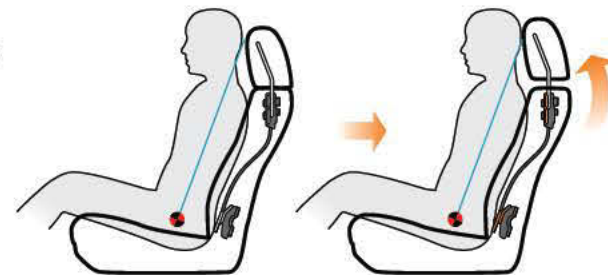
Corolla is a vehicle you can depend on

Safety is an important feature in the 2013 Corolla. It not only has an impressive list of active and passive safety features as standard equipment, it has systems specifically designed to help you avoid accidents and protect you in the event of an accident. Corolla features a strategically reinforced body structure which is engineered to absorb and channel crash energy around and away from the passenger cabin. All of that combined with Toyota's Star Safety System™ means you can always be confident sitting behind the wheel.



## ACTIVE FRONT HEADRESTS

Corolla comes standard with active headrests in the front seats that help maintain the occupants' head position in the event of certain lower speed, rear-end collisions.



## ADVANCED AIRBAG SYSTEM<sup>4</sup>

In a collision, the standard dual-stage front airbag system senses impact severity while adjusting airbag deployment accordingly.

## SIDE AIRBAGS<sup>4</sup>

Corolla comes standard with front seat-mounted side airbags.

## FRONT AND SECOND ROW SIDE CURTAIN AIRBAGS<sup>4</sup>

The standard side curtain airbags cover the length of the cabin from the front seats to the back seats.

## SEATBELTS

Corolla features a 3-point Emergency Locking Retractor seatbelt for the driver's seat and Automatic/Emergency Locking Retractors for all passenger belts.

## STAR SAFETY SYSTEM™

2013 Corolla comes standard with the Star Safety System™. This integration of active safety features is designed to protect occupants by helping drivers avoid accidents in the first place.

### VSC VEHICLE STABILITY CONTROL

Helps prevent slips and loss of traction by reducing engine power and applying the brake force to the wheels that need it.<sup>3</sup>

### TRAC TRACTION CONTROL

Helps maintain traction on wet, icy, loose or uneven surfaces by applying brake force to the spinning wheel(s).

### ABS ANTI-LOCK BRAKE SYSTEM

Prevents brakes from locking up by "pulsing" brake pressure to each wheel to help you stay in control in emergency braking situations.

### EBD ELECTRONIC BRAKE-FORCE DISTRIBUTION

Redistributes brake force to help keep the rear wheels from locking up during sudden braking situations.

### BA BRAKE ASSIST

Detects sudden or "panic" braking and adds the full pressure needed to help prevent a collision.<sup>6</sup>

### SST SMART STOP TECHNOLOGY

Smart Stop Technology is designed to reduce engine power when the brake is firmly applied helping to bring the vehicle to a stop, even if the accelerator pedal is fully depressed.<sup>7</sup>

Toyota was the first full-line manufacturer to make all of the elements of the Star Safety System™ standard on every new vehicle. Visit [toyota.ca](http://toyota.ca) for more details.



## 2013 Corolla Features

INTERIOR	CE	LE	S
AM/FM CD/MP3/WMA Player, 4-Speakers, Audio Auxiliary Input Jack, Glass Imprinted Antenna	●	–	–
6.1" Display Audio System, AM/FM CD/MP3/WMA Player, 6-Speakers, Bluetooth®³ Capability, USB Audio Input, Audio Auxiliary Input Jack, Glass Imprinted Antenna, Steering Wheel Audio Controls	–	●	●
Air Conditioning	–	●	●
Rear Seat Heater Ducts, Cabin Air Filter	●	●	●
Front Bucket Seats, Fabric Seat Material	●	●	–
Front Sport Bucket Seats, Sport Fabric Seat Material	–	–	●
Heated Driver & Front Passenger Seats	–	●	–
Driver's Seat w/Recline, Vertical Adjustments	●	●	●
Front Passenger Seat Recline	●	●	●
60/40 Split Rear Bench Seat w/Fold-Down Seat Back	●	●	●
All-Position Vertically Adjustable Headrests	●	●	●
Power Door Locks	–	●	●
Power Auto Door Lock w/Shifter Activation (Auto Transmission only)	–	●	●
Power Windows w/Driver Side Auto Down	–	●	●
Tachometer, Water Temperature Gauge, Outside Temperature Gauge	●	●	●
Dual Vanity Mirrors	●	●	●
3-Spoke Tilt/Telescoping Steering Wheel	●	●	●
Leather-Wrapped Steering Wheel	–	–	●
Metallic Dash Accents	–	●	–
Carpet Floor Mats, All-Season Floor Mats	●	●	●
Cruise Control	–	●	●
Accessory Power Outlets (12 V)	●	●	●
Centre Console w/Armrest, Storage Pockets	●	●	●
Front Passenger Seat Back Pockets	–	●	–
Digital Clock	●	●	●
Front & Rear Door Pockets	●	●	●
Upper & Lower Glove Boxes	●	●	●
Front & Rear Door Integrated Bottle Holders & Cupholders	●	●	●
Illuminated Entry w/Fade-Out Dome Lamp	●	●	●
Keyless Entry, Key Lockout Protection	–	●	●

EXTERIOR	CE	LE	S
15" Steel Wheels w/Full Wheel Covers	●	–	–
16" Aluminum Alloy Wheels, Wheel Locks	–	●	●
Side Window Defoggers	●	●	●
Electric Rear Window Defroster w/Timer	●	●	●
Fuel Cap Hanger	●	●	●
Front & Rear Splash Guards	●	●	–
Coloured Rear Spoiler	–	–	●
Power Moonroof w/Sunshade	–	●	–
Coloured Door Handles, Blacked Out "B" Pillar	–	●	●
Coloured Full Skirt Package	–	–	●
Coloured, Heated, Foldable, Power Adjustable Mirrors	●	●	●
Intermittent Wipers	●	–	–
Variable Intermittent Wipers	–	●	●
Reflector-Style Halogen Headlamps	●	●	●
Black Headlamp Surround	–	–	●
Fog Lamps	–	●	●

## SAFETY

<b>STAR SAFETY SYSTEM™</b> Star Safety System™ – includes Vehicle Stability Control [VSC]⁵, Traction Control [TRAC], Anti-lock Brake System [ABS], Electronic Brake-force Distribution [EBD], Brake Assist [BA]⁶ & Smart Stop Technology [SST]⁷	●	●	●
Dual-Stage Driver & Front Passenger Airbag Supplemental Restraint System [SRS]¹	●	●	●
Front Seat-Mounted Side Airbags [SRS]¹	●	●	●
Front & Rear Head/Side Curtain Airbags [SRS]¹	●	●	●
Active Front Headrests w/Whiplash Protection	●	●	●
Front Seatbelt Pre-Tensioners & Force Limiters	●	●	●
All-Position 3-Point Lap & Shoulder Belts	●	●	●
Front Seatbelt Anchor Height Adjusters	●	●	●
Anchor Points for Child Restraint Seats	●	●	●
Rear Side Seatbelt Comfort Guides	●	●	●
Child Protector Rear Door Locks	●	●	●
Engine Immobilizer	●	●	●
Low Fuel, Low Washer Fluid, Door Ajar, Head Lamps On, Driver & Front Passenger Seatbelt Warning Indicators	●	●	●
Front & Rear Seat Assist Grips	●	●	●

## Available Packages

	CE	LE	S
<b>Corolla CE Convenience Package</b>	○	–	–
Air Conditioning, 6-Speakers, Bluetooth®³ Capability, USB Audio Input, Steering Wheel Audio Controls, Coloured Door Handles, Keyless Entry, Power Door Locks			
<b>Corolla CE Enhanced Convenience Package</b>	○	–	–
Corolla CE Convenience Package plus: Heated Driver & Front Passenger Seats, Power Windows w/Driver Side Auto Down, Cruise Control			
<b>Corolla CE Moonroof Package</b>	○	–	–
Corolla CE Enhanced Convenience Package plus: Power Moonroof w/Sunshade			
<b>Corolla LE Upgrade Package</b>	–	○	–
Automatic Climate Control, Push Button Start, Smart Key System, Automatic Headlamp System, Power 8-Way Driver's Seat w/Lumbar Support			
<b>Corolla LE Premium Package</b>	–	○	–
Corolla LE Upgrade Package plus: Leather-Wrapped Steering Wheel w/Audio Controls, Woodgrain Trim, 6.1" Display Audio System w/Navigation⁴, XM® Satellite Radio, Bluetooth®³ Steering Wheel Controls			
<b>Corolla S Moonroof Package</b>	–	–	○
Power Moonroof, Automatic Climate Control, Push Button Start, Smart Key System, Automatic Headlamp System			
<b>Corolla S Technology &amp; Leather Package</b>	–	–	○
Corolla S Moonroof Package plus: Heated Driver & Front Passenger Seats, Leather Seat Surfaces, 6.1" Display Audio System w/Navigation⁴, XM® Satellite Radio, Bluetooth®³ Steering Wheel Controls			

## 2013 Corolla Specifications

MECHANICAL	CE	LE	S
<b>Engine</b> 1.8 Litre, 4-Cylinder, DOHC, 16-Valve, Dual Variable Valve Timing w/Intelligence [Dual VVT-i]	●	●	●
<b>Compression Ratio</b> 10.0:1	●	●	●
<b>Horsepower</b> 132 hp (98 kW) @ 6000 rpm	●	●	●
<b>Torque</b> 128 lb.ft. [174 N.m.] @ 4400 rpm	●	●	●
<b>Suspension</b> <b>Front:</b> Independent MacPherson Gas Struts w/Stabilizer Bar <b>Rear:</b> Torsion Beam Type w/Stabilizer Bar	●	●	●
<b>Drivetrain</b> Front Engine/Front Wheel Drive Vehicle Stability Control [VSC]⁵, Traction Control [TRAC]	●	●	●
<b>Transmission</b> 5-Speed, Manual 4-Speed, Automatic, Overdrive, Electronically Controlled Transmission [ECT]	●	–	●
<b>Brakes</b> Power-Assisted, Ventilated Front Discs, Rear Drums, Anti-lock Brake System [ABS] w/Electronic Brake-force Distribution [EBD] & Brake Assist [BA]⁶	●	●	●
<b>Steering</b> Electric Rack & Pinion w/Variable Power Assist	●	●	●
<b>Tires</b> P195/65R15, All-Season Radials, Temporary Spare P205/55R16, All-Season Radials, Temporary Spare	●	●	–

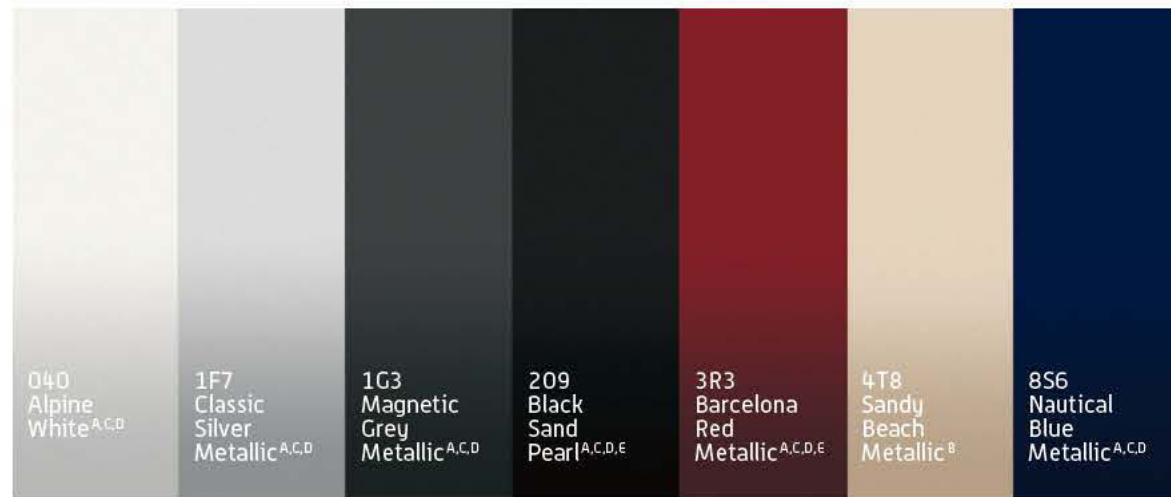
DIMENSIONS	mm (in.)	CE	LE	S
<b>Length</b>	4540 [178.7]	●	●	●
<b>Width</b>	1760 [69.3]	●	●	●
<b>Height (Unloaded)</b>	1465 [57.7]	●	●	●
<b>Wheelbase</b>	2600 [102.4]	●	●	●
<b>Track</b>	<b>Front:</b> 1530 [60.2] <b>Rear:</b> 1535 [60.2] <b>Front:</b> 1517 [59.7] <b>Rear:</b> 1522 [59.9]	●	–	–
<b>Seating Capacity</b>	5	●	●	●
<b>Headroom</b>	<b>Front:</b> 985 [38.8] <b>Rear:</b> 946 [37.2]	●	●	●
w/Moonroof	<b>Front:</b> 963 [37.9] <b>Rear:</b> 944 [37.2]	○	○	○
<b>Legroom</b>	<b>Front:</b> 1059 [41.7] <b>Rear:</b> 921 [36.3]	○	○	○
<b>Shoulder Room</b>	<b>Front:</b> 1392 [54.8] <b>Rear:</b> 1388 [54.6]	●	●	●
<b>Ground Clearance</b>	155 [6.1]	●	●	●
CURB WEIGHT	kg (lb.)			
Manual	1230 [2711] 1250 [2755]	●	–	–
Automatic	1260 [2777] 1275 [2810]	○	–	–
CARGO CAPACITY	m³ (cu.ft.)			
	0.35 [12.3]	●	●	●
TURNING CIRCLE	m (ft.)			
	11.3 [37.1]	●	●	●
FUEL CAPACITY	litres (gal)			
	50.0 [11.0]	●	●	●
FUEL CONSUMPTION RATING²				
City/Highway/Combined	<b>L/100 km</b>	<b>mpg (imperial gallon)</b>		
Manual	7.4/5.6/6.6	38/50/43	●	–
Automatic	7.8/5.7/6.8	36/50/42	○	●

- All Toyota vehicles shown in this brochure, have Supplemental Restraint Systems [SRS]. For important safety information about the Supplemental Restraint System in a particular vehicle, please see the Owner's Manual or contact your local Toyota Dealer.
- Fuel efficiency estimates were determined using approved Government of Canada Test Methods. Actual fuel consumption will vary based on driving habits and other factors.
- Toyota tests certain Bluetooth® capable phones for compatibility with Toyota vehicles. Note that the recommendation of Toyota is not a warranty of the performance for any phone and that some problems may occur with any type of handset based on the phone software version or the service coverage available in your area. Some vehicles equipped with Bluetooth technology are available with bilingual compatibility. Please see your Toyota Dealer for details.
- The Toyota Navigation System is designed to assist in locating an address or point of interest. Discrepancies may be encountered between the system and your actual location. Rely on your common sense to decide whether or not to follow a specified route. Detailed coverage is not available for every city or roadway. Optional periodic geographic updates are available at an additional cost. The Navigational systems in some vehicles are available with bilingual capability. Please see your Navigation System Owner's Manual and your Toyota Dealer for further details.
- Vehicle Stability Control [VSC] is an electronic system designed to help the driver maintain vehicle control under adverse conditions. It is not a substitute for safe driving practices. Factors including speed, road conditions and driver steering input can all affect whether VSC will be effective in preventing a loss of control.
- Brake Assist is designed to help the driver take full advantage of the benefits of ABS. It is not a substitute for safe driving practices. Braking effectiveness also depends on proper brake-system maintenance and tire and road conditions.
- Smart Stop Technology operates only in the event of certain simultaneous brake and gas pedal applications. When engaged, the system will reduce engine power to help the brakes bring the vehicle to a stop. Factors including speed, road conditions and driver input can all impact stopping distance. Smart Stop Technology is not a substitute for safe and attentive driving and does not guarantee instant stopping.
- Toyota Canada is proud to say that all Toyota vehicles built in Canada are made from Canadian and imported parts.

**Toyota Canada Inc.** Every effort has been made to ensure the specifications and equipment shown are accurate based on information available at time of printing. In some cases, certain changes in production capacity, standard equipment, options or product delays may occur which would not be reflected in this brochure. Toyota Canada Inc. reserves the right to make these changes without notice or obligation. The Toyota website [toyota.ca](http://toyota.ca) – or your Toyota Dealer is your best source for up-to-date information.



## Colours



### INTERIOR COLOUR OPTIONS

- A Ash Fabric on CE, LE.
- B Bisque Fabric on CE, LE.
- C Dark Charcoal Fabric on S.
- D Dark Charcoal Leather on S [Technology & Leather Package].
- E Dark Grey & Bisque Fabric on LE (Not available on Premium Package).

Please see your Toyota Dealer for details.

## New vehicle warranty summary

No deductibles – no transfer fees

### COMPREHENSIVE COVERAGE

**3 YEARS OR 60,000 KM** This warranty includes 24 hour Roadside Assistance and other benefits, as well as coverage of repairs on any part of the vehicle that is defective in material or workmanship under normal use and maintenance. Different warranties apply to original tires.

### POWERTRAIN COMPONENTS

**5 YEARS OR 100,000 KM** This warranty covers repairs to powertrain components that are defective in material or workmanship under normal use and maintenance.

### MAJOR EMISSION CONTROL COMPONENTS

**8 YEARS OR 130,000 KM** This warranty covers repairs to specified major emission components that are defective in material or workmanship under normal use and maintenance.

### CORROSION PERFORATION

**5 YEARS UNLIMITED DISTANCE** This warranty covers any sheet metal found, under normal use, to have developed a perforation from corrosion due to defects in material or workmanship.

## Accessories

Personalize your Corolla to enhance both its appearance and performance. Many of Toyota's Accessory Parts can be residualized or advanced through Toyota Financial Services when purchased at the same time as your new vehicle, and yes, they are all backed by a Toyota Warranty. For a complete list of vehicle-specific accessories, visit [customizemytoyota.ca](http://customizemytoyota.ca), your local Dealer or [toyota.ca](http://toyota.ca).



- Auto-Dimming Rear View Mirror with compass
- Block Heater
- Bluetooth®3
- Bodyside Mouldings
- Bongiovi Acoustics DPS
- Cargo Liner
- Cargo Net
- Hood Deflector
- Rear Bridge Spoiler
- Rear Bumper Protector
- Remote Engine Starter

### TRD ACCESSORIES

- TRD 18" 5-Spoke Matte Black or Silver Finish Alloy Wheel
- TRD 18" Multi-Spoke Alloy Wheel
- TRD Air Filter
- TRD Filter Cleaning Kit
- TRD Front Strut Brace
- TRD Lowering Springs
- TRD Oil Cap
- TRD Rear Sway Bar
- TRD Wheel Lug Nut Kit

## Committed to Canadians, today and tomorrow



Being a leader in the automotive industry does not simply start and finish with making great vehicles. It also means being a leader in the community. Toyota Canada and its dealerships across the country fund non-profit programs that work to make a difference for Canadians through direct community involvement.

As part of our ongoing commitment to the environment and education, we established the Toyota Evergreen Learning Grounds program. This program is designed to transform Canadian school grounds into natural learning environments so that students can have a healthy place to play, learn and develop a genuine respect for nature. We also support Special Olympics Canada, which helps athletes reach their full potential through participation in events from a local to a national level.

Visit us at [toyota.ca](http://toyota.ca) to learn more about our programs and commitment to make things better for Canadian communities, today and tomorrow.







Prius c



Prius



Prius Plug-in



Prius v



Camry Hybrid



Highlander Hybrid



Yaris



Corolla



Matrix



Camry



Venza



Avalon



Sienna



RAV4



Highlander



FJ Cruiser



4Runner



Sequoia



Tacoma



Tundra

At Toyota **quality, safety** and **sustainability** are built into every vehicle we make. To learn more about Toyota's commitment to manufacturing safe, high quality, long lasting vehicles – and to see the awards we've won for doing just that – visit [toyota.ca](http://toyota.ca).



Join the Conversation – Follow us on Facebook at [facebook.com/toyotacanada](http://facebook.com/toyotacanada), on Twitter at [twitter.com/toyotacanada](http://twitter.com/toyotacanada) and on YouTube at [youtube.com/toyotacanada](http://youtube.com/toyotacanada).



Toyota recognizes its duty to safeguard the environment. Please recycle.  
PRINTED IN CANADA C0002-0413E-25 35M/35M

