

# Citroën Care for Car and Driver

Across the UK, a network of 250 Citroën Dealers are equipped and trained to meet the needs of today's motorists, each with a team of technicians skilled in the care and maintenance of the Citroën Saxo and using only genuine Citroën parts. Each can also offer a selection of finance packages to suit the private and business purchaser. Contract Hire, Lease Purchase and Finance Lease are available to the business user, through Citroën Contract Motoring, whilst Elect 3 Personal Contract Purchase is specifically designed to offer flexibility and to match the motoring needs to the budget of the retail customer.

## Citroën Elect 3

With the Elect 3 Personal Contract Purchase Scheme, you decide on the model which best suits your motoring needs, then set your preferred contract period of 24 or 36 months and anticipated annual mileage. At the end of the contract period you have the added flexibility of part exchanging the car for another new Citroën, purchasing it or simply returning it to the Dealer. By choosing Elect 3 you can drive a new Citroën every two or three years.

## Citroën Fleet and Business Sales

All Citroën Dealers are dedicated to meeting the specialist needs of both the fleet and business buyer. Their comprehensive service can include advice on important business vehicle decisions, such as alternative acquisition methods, disposal of existing cars and vans, priority servicing and much more.

In short, their expertise aims to provide a 'total transport solution' for all your fleet or business vehicle needs. If you would like to contact Citroën direct for further information, please call Citroën Fleet Connect on 08457 940 940. Or look us up on the world wide web at: <http://www.citroen.co.uk/fleet>

## Citroën Assist

Whilst Citroën cars are engineered for maximum reliability, you might become stranded through circumstances outside your control. In response to a free telephone call, Citroën Assist, managed and operated by Green Flag, brings rapid expert roadside assistance to you in an emergency. It comes free of charge for a full year and operates 24 hours a day in all parts of the UK. Services include nationwide recovery for both car and passengers, a home call service,

replacement vehicle, hotel accommodation and vehicle storage if required. Alongside UK cover, Citroën Assist also offers a comprehensive European service. Full details are available in the Citroën Assist handbook.

## Citroën Accident Management Service

This valuable service is free of charge for one year and offers a complete management service in the event of your vehicle being damaged by accident, fire, vandalism or theft.

## Comprehensive Warranty

Every new Citroën car offers the benefit of a 3 year\* warranty package, plus a 12 year anti-corrosion\*\* warranty and a 3 year paint warranty.

## Citroën Insurance

Citroën Insurance is as thoughtfully designed as your car and provides real value for money exclusively to Citroën owners. Instant cover is available over the telephone, with convenient instalment options (subject to status). Policies provide 24 hour accident recovery, with all repairs carried out by a Citroën approved repairer, guaranteed for a full three years.

For an immediate quote, call 0870 024 2725.

## Internet

The Citroën website contains full information on all Citroën products and offers available in the UK.

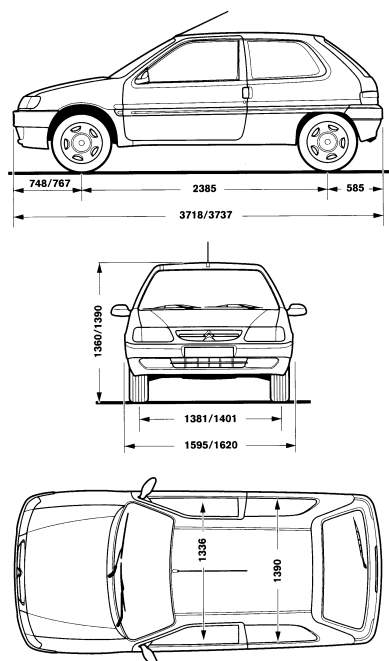
The site address is: <http://www.citroen.co.uk>

\*1 year's manufacturer's warranty. No-fee customer option of 2 years' Dealer provided extended warranty, only on cars sourced from Citroën UK Limited.

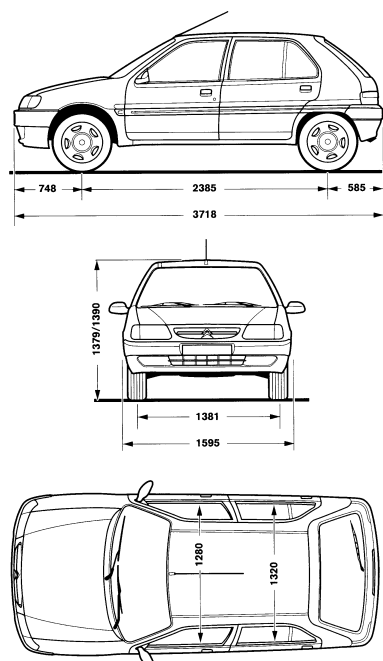
\*\* Against all internal to external perforation to bodywork or underbody on condition the car undergoes an inspection by a Citroën franchised Dealer every two years from its fourth anniversary.

Full details available on request.

## 3 Door



## 5 Door



All measurements in millimetres



[www.citroen.co.uk](http://www.citroen.co.uk)

K8961

Citroën UK Limited, 221 Bath Road, Slough, SL1 4BA

NOTE: Every endeavour has been made to ensure that the information and details contained in this specification leaflet were accurate at the time of going to press March 2002. However the company reserves the right, whilst preserving the essential characteristics of the models described, to introduce at any time modifications, changes of details, equipment or accessories. Every effort will be made to bring this leaflet up to date, but in order to avoid any misunderstandings please consult your Dealer. Specifications of all models refer to cars produced from 03/09/01.

MARCH 2002



## Engine Availability

	Forte	Desire	Furio	VTR	VTS
1.1i (60hp)	● (3 Door)	● (3/5 Door)			
1.4i (75hp)			● (3 Door)		
1.6i (100hp)				● (3 Door)	
1.6i 16V (120hp)					● (3 Door)
1.5D (58hp)		● (3/5 Door)			

## Safety & Security

	Forte	Desire	Furio	VTR	VTS
Driver's airbag	●	●	●	●	●
Safety pack:					
. ABS with Electronic Brakeforce Distribution (EBD)				○*	●
. front passenger's and front lateral airbags					●
Fuel cut-off device <sup>1</sup>	●	●	●	●	●
Energy absorbing side impact protection	●	●	●	●	●
Inertia reel front and rear seat belts with static rear centre belt	●	●	●	●	●
Front seat belt pre-tensioners with force-limiters	●	●	●	●	●
Height adjustable front seat belts		● <sup>2</sup>			
Front and rear anti-roll bars	●	●	●	●	●
High frequency remote control central locking		●	●	●	●
Child lock indicators on rear doors		● <sup>2</sup>			
Transponder immobiliser	●	●	●	●	●
Anti-theft alarm					●
Locking fuel filler cap	●	●	●	●	●

## Comfort & Convenience

Power assisted steering		●	●	●	●
Three spoke steering wheel	●	●	●	●	●
Tinted windows	●	●	●	●	●
Heated rear window with automatic cut-off	●	●	●	●	●
Two speed windscreen wipers with intermittent wipe	●	●	●	●	●
Rear wash/wipe	●	●	●	●	●
Driver's and front passenger's sunvisors with courtesy mirrors (covered on driver's side)	●	●	●	●	●
Illuminated cigarette lighter	●	●	●	●	●
Rear parcel shelf	●	●	●	●	●
Hatch 'pull down' handle	●	●	●	●	●
Front passenger's grab handle	●	●	●	●	●
Rear grab handles with coat hooks	●	●	●	●	●
Opening rear quarterlights <sup>3</sup>	●	●	●	●	●
Electric front windows		●	●	●	●
Internally adjustable door mirrors	●	●	●	●	●
Electric and heated door mirrors					●
Slide/tilt sunroof with sunblind	●	●	●	●	●
Heating with 3-speed fan	●	●	●	●	●
Tilting central air vent	●	●	●	●	●
Lateral face level vents and side window demist vents	●	●	●	●	●

## Seating

'Tiro' cloth upholstery	●		●		
'Ibis' velour upholstery		●			
'Delta' cloth upholstery				●	
'Crescendo' velour upholstery					●
Velour door inserts		●			●
Reclining front seats with fore/aft adjustment	●	●	●	●	●
Driver's seat memory <sup>3</sup>	●	●	●	●	●
Front passenger's seat memory <sup>3</sup>	●	●	●	●	●
Height adjustable front head restraints	●	●	●	●	●
Fully folding rear seat with integrated head restraints	●	●	●	●	●
Split/folding rear seat with integrated head restraints		●			
Split/folding rear seat with retractable head restraints					●
Front door armrests	●	●	●	●	●

## Driver Information

Rev counter	●	●	●	●	●
Coolant temperature indicator		●	●	●	●
Maintenance indicator	●	●	●	●	●
Oil level indicator					●
Oil temperature indicator					●

	Forte	Desire	Furio	VTR	VTS
Dimmable instrument panel illumination	●	●	●	●	●
White instrument dials			●	●	●
Colour coded instrument dials	●				
Digital clock	●	●	●	●	●
Warning lights for:					
Low fuel	●	●	●	●	●
Low oil pressure	●	●	●	●	●
Low battery charge	●	●	●	●	●
Coolant temperature	●	●	●	●	●
Displays for:					
Headlamps and main beam on	●	●	●	●	●
Indicators on	●	●	●	●	●
Rear fog light on	●	●	●	●	●
Hazard warning lights on	●	●	●	●	●
Heated rear screen on	●	●	●	●	●
Handbrake on	●	●	●	●	●
'Lights on' warning buzzer	●	●	●	●	●

## Style

'Metallic' effect centre console trim	●		●	●	●
'Chrome' effect gear lever knob	●			●	●
'Chrome' effect interior door handles			●		
Protective side rubbing strips	●		●	●	●
Body colour painted side rubbing strips		●			
Body colour painted door handles	●	● <sup>3</sup>	●	●	●
Body colour painted door mirror housings		●		●	●
Body colour painted bumper skirts	●				
Full body colour painted bumpers		●			
Sports styling with painted bumper skirts and wheel arch extensions			●	●	●
Body colour painted rear spoiler			●	●	●
Colour coded seat belts	●		●		
Full width wheel trims	●	●	●		
'Toulouse' 14" alloy wheels (four)				●	
'Indianapolis' 15" alloy wheels (four)					●

## In-Car Entertainment

RDS stereo radio/CD player	●	●	●	●	●
----------------------------	---	---	---	---	---

## Lighting

Front fog lights		●	●	●	●
Height adjustable headlamps	●	●	●	●	●
Halogen headlamps	●	●	●	●	●
Rear fog light	●	●	●	●	●
Twin reversing lights	●	●	●	●	●
High level third brake light	●	●	●	●	●
Boot courtesy light	●	●	●	●	●
Front courtesy light	●	●	●	●	●

## Storage

Glove box with integrated cup holders	●	●	●	●*	
Front seat back pockets				●	●
Front door pockets	●	●	●	●	●
Rear storage pockets	●	●	●	●	●

## Option Summary

Safety pack:					
. ABS with Electronic Brakeforce Distribution (EBD)				○*	●
. front passenger's and front lateral airbags					●
Black paint	○		○	○	○
Metallic/Pearlescent paint	○	○	○	○	○

● Standard equipment ○ Optional equipment

\*When optional safety pack is specified, the glove box is deleted and replaced by a storage net on the driver's side of the centre console.

<sup>1</sup> Petrol models only

<sup>2</sup> 5 Door models only

<sup>3</sup> 3 Door models only

## Engine

	1.1i	1.4i	1.6i	1.6i 16V	1.5D
Capacity (cc)	1124	1360	1587	1587	1527
Cylinders	4 in line	4 in line	4 in line	4 in line	4 in line
Bore and stroke (mm)	72x69	75x77	78.5x82	78.5x82	77x82
Max power DIN (hp/rpm)	60/5500	75/5500	100/5700	120/6600	58/5000
Max torque DIN (lb.ft/rpm)	69/3500	88/3400	100/3500	107/5200	70/2250
Fuel system	Multipoint fuel injection				Diesel indirect injection

## Transmission

Five speed manual	●	●	●	●	●
Clutch type	Mechanically operated single dry disc with diaphragm spring				

## Performance

Max speed (mph)	102	109	120	127	98
0-62 mph (secs)	12.4	11.2	9.4	7.8	15.7

N.B. All figures driver alone

## Economy Litres/100km (mpg)

Urban cycle	8.0 (35.3)	8.4 (33.6)	8.8 (32.1)	12.6 (22.4)	6.8 (41.5)
Extra urban	5.0 (56.5)	5.2 (54.3)	5.5 (51.4)	6.2 (45.6)	4.3 (65.7)
Combined	6.1 (46.3)	6.4 (44.1)	6.7 (42.2)	8.5 (33.2)	5.2 (54.3)

N.B. Official Government test fuel consumption figures

## CO<sub>2</sub> Emissions (g/km)

	145	152	159	201	138
--	-----	-----	-----	-----	-----

## Wheels & Tyres

13" steel wheels with 155/70 R13 tyres	●				
14" steel wheels with 165/65 R14 tyres	●*	●			●
14" alloy wheels with 185/55 R14 tyres			●		
15" alloy wheels with 195/45 R15 tyres				●	

## Weights (kg)

	3/5 Door	3 Door	3 Door	3 Door	3/5 Door
Unladen weight	805/825	840	920	935	890/910
Max laden weight	1310/1330	1340	1360	1380	1370/1390
Max towing weight braked	600	700	700	700	700
Max tow hitch download	50	50	50	50	50
Max roof rack load	50	50	50	50	50

## Brakes

Front discs, rear drums, VTR and VTS ventilated front and rear discs, ABS with EBD standard on VTS

## Steering

Rack and pinion (Power assisted steering on all Desire, Furio, VTR and VTS models)

Number of turns lock to lock	2.98	2.98	2.98	2.98	2.98
Turning circle between kerbs (m)	10.5	10.5	10.5	10.5	10.5

## Suspension

Anti-roll bars front and rear - front: Macpherson strut/coil springs  
rear: independent trailing arms/torsion bars

## Fuel Tank Capacity Litres (gallons)

45 (9.9)

## Boot Volume Litres

Seats up - below parcel shelf	280
Seats down - up to roof	953

\*Desire models only