

Options you won't want to be without

Whether you wish to enhance the vehicle's appearance, add to its convenience, storage or safety features, or partake of high-quality in-car entertainment including the 6 CD autochanger and satellite navigation systems, we have the accessory solution for you. For information on the full range of accessories available, contact your local Citroën dealer or visit www.accessories.citroen.co.uk.

Below is a selection of C5 Accessories

1 VTR sports pack

Complete the look to perfection on the Hatchback models with a 'chrome' effect lower front mesh grille and rear spoiler.

2 RT3 radio/CD player/phone/colour satellite navigation

Available as an option on VTR and Exclusive models, incorporates a large format colour screen and includes a 6 CD autochanger where not already specified.



This HDi multi-valve engine combines outstanding performance and levels of torque with economy and refinement. Thanks to its advanced particulate filter, it virtually eliminates the release of Diesel smoke into the atmosphere.

Citroën Care for Car and Driver

A network of Citroën New Car Dealers, Authorised Repairers and Parts Distributors are equipped and trained to meet the needs of today's Citroën customer.

Dealers can offer advice on vehicle funding; via Citroën Contract Motoring with packages such as Contract Hire, Finance Lease or Lease Purchase for Business Users, or via Citroën Financial Services with Elect 3 Personal Contract Purchase for Retail buyers.

In addition Authorised Repairers have a team of technicians skilled in the care and maintenance of Citroën products, using only genuine Citroën parts.

For added Peace of Mind both Business and Retail customers can purchase a Citroën Ensure Maintenance Contract, which covers routine Service and Parts cost, and which can be enhanced to include items such as tyres and extended replacement vehicle cover.

Citroën Elect 3

With the Elect 3 Personal Contract Purchase Scheme, you decide on the model which best suits your motoring needs, then set your preferred contract period of 24 or

36 months and anticipated annual mileage. At the end of the contract period you have the added flexibility of part exchanging the car for another new Citroën, purchasing it or simply returning it to the Dealer. By choosing Elect 3 you can drive a new Citroën every two or three years.

Citroën Fleet and Business Sales

All Citroën Dealers are dedicated to meeting the specialist needs of both the fleet and business buyer. Their comprehensive service can include advice on important business vehicle decisions, such as alternative acquisition methods, disposal of existing cars and vans, priority servicing and much more. In short, their expertise aims to provide a 'total transport solution' for all your fleet or business vehicle needs. If you would like to contact Citroën direct for further information, please call Citroën Fleet Connect on 08457 940 940. Or look us up at: <http://www.citroen.co.uk/fleet>

Citroën Assist

Whilst Citroën cars are engineered for maximum reliability, you might become stranded through circumstances outside your control. In response to a free telephone call, Citroën Assist brings rapid

expert roadside assistance to you in an emergency. It comes free of charge for a full year and operates 24 hours a day in all parts of the UK. Services include nationwide recovery for both car and passengers, a home call service, replacement vehicle, hotel accommodation and vehicle storage if required. Alongside UK cover, Citroën Assist also offers a comprehensive European service.

Comprehensive Warranty

Every new Citroën car offers the benefit of a 3 year* warranty package, plus a 12 year anti-corrosion** warranty and a 3 year paint warranty.

Citroën Insurance

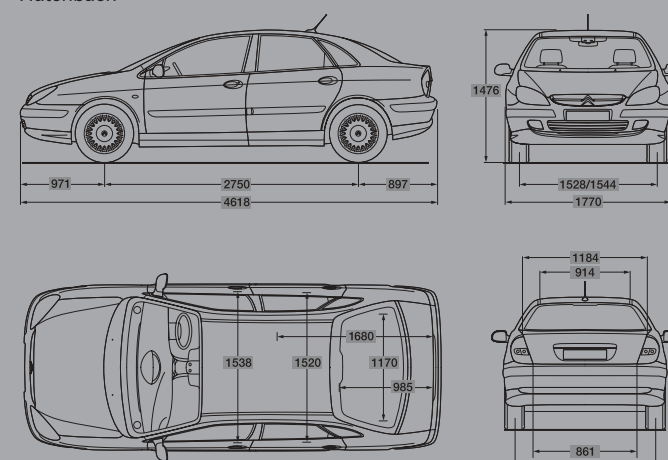
Citroën Insurance is as thoughtfully designed as your car and provides real value for money exclusively to Citroën owners. Instant cover is available over the telephone, with convenient instalment options (subject to status). Policies provide 24 hour accident recovery, with all repairs carried out by a Citroën Authorised Repairer, guaranteed for a full three years. For an immediate quote, call 0870 024 2725.

Internet

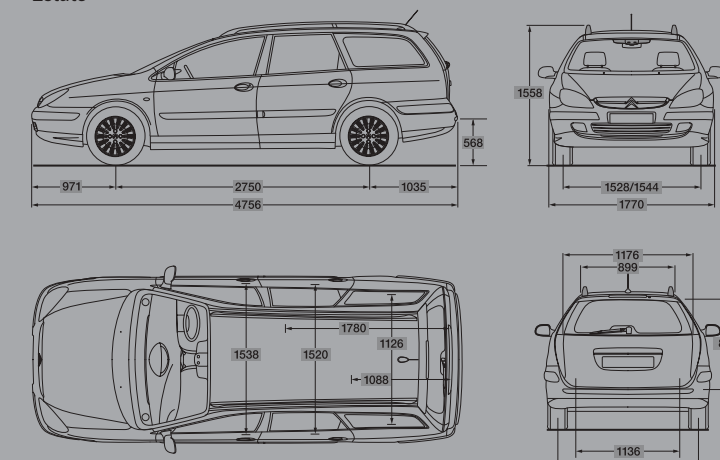
The Citroën website contains full information on all Citroën products and offers available in the UK. The site address is: <http://www.citroen.co.uk>
You can contact Citroën directly via customer-services@citroen.com

*2 years' manufacturer's warranty. No-fee customer option of 1 year's Dealer provided extended warranty, only on cars sourced from Citroën UK Limited. **Against all internal to external perforation to bodywork or underbody on condition the car undergoes an inspection by a Citroën franchised Dealer every two years from its fourth anniversary. Full details available on request. Credit subject to status and to over 18s only. A guarantee may be required. Written quotations available on request from Citroën Financial Services, Quadrant House, Princess Way, Redhill, Surrey RH1 1QA. Citroën Financial Services is a trading name of Banque PSA Finance.

Hatchback



Estate



All measurements in millimetres



www.citroen.co.uk

Citroën UK Limited, 221 Bath Road, Slough, SL1 4BA

K9542

NOTE: Every endeavour has been made to ensure that the information and details contained in this specification leaflet were accurate at the time of going to press September 2003. However the company reserves the right, whilst preserving the essential characteristics of the models described, to introduce at any time modifications, changes of details, equipment or accessories. Every effort will be made to bring this leaflet up to date, but in order to avoid any misunderstandings please consult your Dealer. Specifications of all models refer to cars produced from 2nd June 2003.



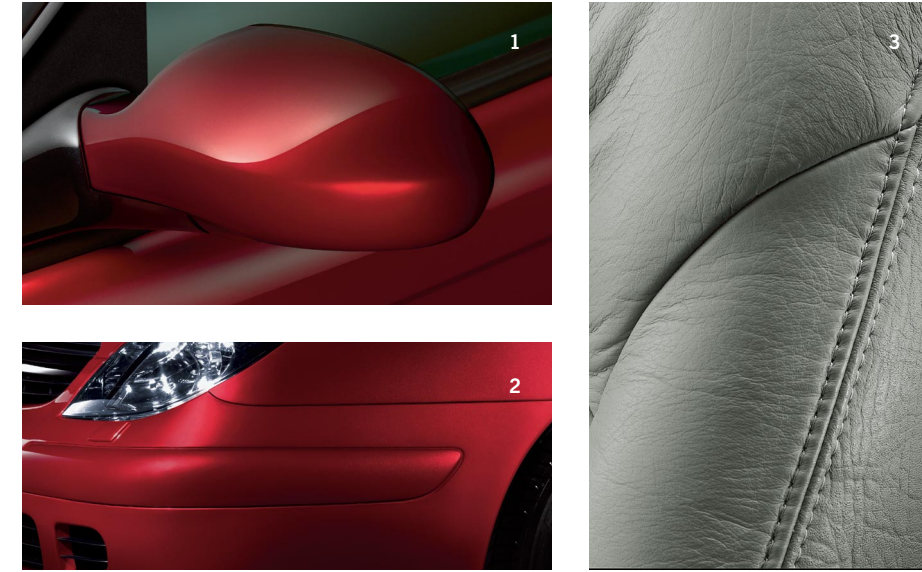
PRODUCT & TECHNICAL INFORMATION

SEPTEMBER 2003





		LX	VTR	Exclusive	
		'Constellation' velour upholstery	Part Grey 'Daper' cloth / Part Blue 'Pointil' velour upholstery	Beige full leather upholstery	Grey full leather upholstery
Polar White		•	•		•
Admiral Blue		•	•		•
Oriental Blue (Pearlescent)		•	•	•	
Icelandic Grey (Metallic)		•	•		•
Arctic Steel (Metallic)		•	•		•
Hurricane Grey (Metallic)		•	•	•	
Black (Metallic)		•	•	•	
Wicked Red (Pearlescent)		•	•		•
Icelandic Green (Metallic)		•	•		•



- 1 Body colour co-ordinated door mirrors (VTR models and above)
- 2 Body colour painted bumpers (VTR models and above)
- 3 Grey or Beige full leather upholstery, depending on body colour (Exclusive models)

C5 combines technological sophistication with strength, robustness and reliability.

In fact, everything about C5, from the beautifully sleek exterior, to the perfect fit and finish of the interior, down to the smallest component, is designed and built with care, to give a long life of motoring pleasure.

Throughout the entire design process, Citroën have focused on quality. C5's body is 94% galvanised and engineered to keep its good looks, structural integrity and build quality intact for many years to come. Citroën's complete confidence in C5's durability is reflected in the car's long service intervals (20,000 miles for petrol cars and 12,500 miles for Diesels). And to ensure total peace-of-mind, C5 comes with a 12 year anti-corrosion warranty and a 3 year paint warranty.



The Citroën C5

Citroën's remarkable mid-range executive hatchback and estate comes bursting into a field of look-alikes to occupy centre stage.

Sophisticated and beautifully styled, the Citroën C5 bristles with the latest digital technology and combines top-of-the-range elegance with a character that dares to be different.

Generous dimensions and a confident, powerful stance, make the Citroën C5 an imposing, alluring new presence on the road. With long flowing lines, a graceful profile with its sweeping arch of glass, broad bonnet and sleek cluster headlamps set high on the wings, C5 is pure style. Pure Citroën.

Body Availability

	LX	VTR	Exclusive
Hatchback	●	●	●
Estate	●	●	●

Engine Availability

	LX	VTR	Exclusive
1.8i 16V (117hp)	● (Hatch./Est.)	● (Hatch.)	
2.0i 16V (138hp)		● (Hatch./Est.)	
2.0i 16V (138hp) Auto		● (Hatch./Est.)	● (Hatch.)
3.0i V6 24V (210hp) Auto			● (Hatch./Est.)
2.0HDI (90hp)	● (Hatch./Est.)		
2.0HDI (110hp)	● (Hatch./Est.)	● (Hatch./Est.)	● (Hatch./Est.)
2.0HDI (110hp) Auto	● (Hatch./Est.)	● (Hatch./Est.)	
2.2HDI (136hp) 6 speed with particulate filter		● (Hatch./Est.)	● (Hatch./Est.)
2.2HDI (136hp) Auto with particulate filter			● (Hatch./Est.)

Driving Technology & Information Systems

Hydractive 3 suspension with automatic ride height adjustment	●	●	2.0HDI
Hydractive 3 suspension with 'Sport' function and automatic ride height adjustment			2.0i 16V 3.0i V6 2.2HDI
Suspension height indicator	●	●	●
Variable power assisted steering	●	●	●
Cruise control	●	●	●
Trafficmaster™ Oracle ¹	●	●	●
RT3 radio/CD player/phone/Colour Satellite Navigation		○	○ ²
Self-programmable audible over-speed warning	●	●	●
Audible lights-on and key-in-ignition warning	●	●	●
'Black panel' night-time instrument lighting	●	●	●
Coolant temperature gauge	●	●	●
Maintenance indicator	●	●	●
Coolant level warning indicator	2.0HDI	2.0HDI	3.0i V6 2.0HDI 2.2HDI
Oil level indicator	●	●	●
Oil temperature gauge	Auto	●	●
Washer reservoir low level indicator	Auto	●	●
Multi-function screen (radio, time, external temperature, date and warning messages)	●	●	●
Multi-function on-board trip computer (current fuel consumption, average fuel consumption, distance covered, average speed and range on remaining fuel)	Auto	●	●

Style

Exterior	LX	VTR	Exclusive
Body colour painted bumper skirts	●	●	●
Body colour painted bumpers and side rubbing strips		●	●
Body colour co-ordinated door mirrors		●	●
Body colour painted door handles	●	●	●
Body colour rear number plate moulding with 'Chrome' effect surround	●	●	●
'Aluminium' effect roof bars		● (Estate)	● (Estate)
'Chambord' 15" full width wheel trims	●		
'Hungaro' 16" alloy wheels (five on Exclusive - four on VTR)		●	●
VTR Sports pack: . 'Chrome' effect lower front mesh grille . rear spoiler		◇ (Hatch.)	

	LX	VTR	Exclusive
'Chrome' effect lower front mesh grille		◇ (Estate)	
Metallic/Pearlescent Black paint	○	○	○
Interior			
'Aluminium' effect interior door handles	●	●	●
'Aluminium' effect gear lever	Auto	Auto	Auto
'Aluminium' effect gear lever knob	Manual	Manual	Manual
'Aluminium' effect sill finishers (front and rear)			●
'Chrome' effect boot sill finisher	● (Estate)	● (Estate)	● (Estate)
Leather steering wheel		●	●
'Carbon fibre' effect on dashboard, centre console and doors		●	
'Wood' effect on dashboard, centre console and doors			●
Front carpet mats			●
Rear carpet mats			●

Comfort & Convenience

Air conditioning	●	●	
Automatic digital air conditioning with sunlight sensor and separate temperature controls for driver and front passenger			●
Pollen filter	●	●	●
Heat-reflecting windscreen	●	●	●
Air re-circulation	●	●	●
Height and tilt adjustable 4-spoke steering wheel	●	●	●
12 volt socket on lower centre console	●	●	●
12 volt socket in the boot	● (Estate)	● (Estate)	● (Estate)
Driver's and front passenger's sunvisors with covered courtesy mirrors	●		
Driver's and front passenger's sunvisors with covered and illuminated courtesy mirrors		●	●
Driver's and front passenger's double sunvisors			●
Rear sunblind			● (Hatch.)
Driver's and front passenger's reading lights	●	●	●
Rear courtesy light ⁴	●	●	●
Rear reading lights ⁴	●	●	●
Electric front windows with one-touch operation and anti-pinch	●	●	●
Electric rear windows with one-touch operation and anti-pinch		●	●
Electric windows with 30 second operating period after the ignition is switched off (includes electric seats when specified)	●	●	●
Automatic switch off of electrical systems after 60 minutes of key being removed from ignition	●	●	●
Electric slide/tilt sunroof with pre-programmed opening positions ⁴		○	○ ²

Seating

'Constellation' velour upholstery	●		
Part Grey 'Daper' cloth / part Blue 'Pointil' velour upholstery		●	
Grey or Beige full leather upholstery (depending on body colour), with electrically adjustable front seats			●
Heated front seats			○ ²
Illuminated driver's and front passenger's footwells			●
Driver's seat height adjustment	●	●	●
Front passenger's seat height adjustment		●	●
Height and tilt adjustable front head restraints	●	●	●
Split/folding rear seat with three retractable head restraints	●	●	●
Isofix child seat anchorage points on two outer rear seats	●	●	●
Driver's and front passenger's adjustable and folding armrests		●	●
Rear central armrest with ski flap, storage and two cup holders		●	●

Storage

	LX	VTR	Exclusive
Lockable and illuminated glove box	●	●	●
Driver's side glove box	●	●	●
Front seat back pockets	●	●	●
Storage bin under front passenger's seat			●
Two cup holders on lower centre console (not available when RT3 radio/CD player/phone/Colour Satellite Navigation specified)	●	●	●
Four front door pockets (one covered and one open on each door)	●	●	●
Rear door pockets	●	●	●
Windscreen mounted ticket holder	●	●	●
Roof bar fixing points	● (Hatch.)	● (Hatch.)	● (Hatch.)
Opening tailgate window	● (Estate)	● (Estate)	● (Estate)
Boot sill height adjustment (from the rear of the car)	● (Estate)	● (Estate)	● (Estate)
Combined parcel shelf and retractable boot cover	● (Estate)	● (Estate)	● (Estate)
Two covered storage compartments in the boot	● (Estate)	● (Estate)	● (Estate)
Reversible protective boot mat		● (Estate)	● (Estate)
Retractable passenger cabin safety net		● (Estate)	● (Estate)
Four lashing eyes in the boot	●	●	
Protective boot net			●

Safety

ABS with Electronic Brakeforce Distribution (EBD)	●	●	●
Emergency Braking Assistance (EBA)	●	●	●
Electronic Stability Programme (ESP) and traction control	●	●	●
Energy absorbing side impact protection	●	●	●
Adaptive driver's and front passenger's airbags	●	●	●
Front lateral airbags	●	●	●
Side window airbags	●	●	●
Fuel cut-off device	●	●	●
Front passenger's airbag cut-off device	●	●	●
Five 3-point inertia reel seat belts	●	●	●
Front seat belt pre-tensioners with force-limiters	●	●	●
Force-limiters on two outer rear seats	●	●	●
Height adjustable front seat belts	●	●	●
Automatic activation of hazard warning lights (in case of rapid deceleration or impact)	●	●	●
Tyre pressure warning			●

Visibility & Lighting

Electrically adjustable and heated anti-glare door mirrors	●	●	●
Wide-angle door mirrors	●	●	●
Speed sensitive windscreen wipers	●		
Automatic rain sensitive windscreen wipers	●	●	●
Rear wash/wipe	● (Estate)	● (Estate)	● (Estate)
Automatic illumination of driving lights (light and front wiper movement sensing)		●	●
Xenon headlamps			●
Headlamp washer jets			●
Integrated front fog lights	●	●	●
High level third brake light	●	●	●
Twin rear fog and reversing lights	●	●	●
Parking assistance pack: . rear parking sensors . automatic retractable door mirrors . indexable passenger door mirror . electrochrome rear view mirror			●

Security & Locking

	LX	VTR	Exclusive
High frequency remote control central locking with deadlocks	●	●	●
High security locks	●	●	●
Multi-function plip remote control with folding ignition key (locking/locating, unlocking and remote window closing - includes sunroof when specified)	●	●	●
Child lock indicator	●	●	●
Transponder immobiliser	●	●	●
Anti-theft alarm (perimetric and volumetric)	○	●	●
Rain sensitive automatic window closing (includes sunroof when specified)	●	●	●
Automatic re-locking after 30 seconds (when using the plip - if the doors and boot remain unopened)	●	●	●
Automatic boot locking (when car in motion)	●	●	●

In-Car Entertainment

Anti-theft RDS stereo radio/CD player with six speakers and steering mounted controls	●	●	●
Speed sensitive stereo volume	●	●	●
Six CD autochanger		○ ³	●

Option Summary

Metallic/Pearlescent Black paint	○	○	○
Anti-theft alarm	○	●	●
Rear wash/wipe	● (Estate)	● (Estate)	● (Estate)
Electric slide/tilt sunroof with pre-programmed opening positions ⁴		○	○ ²
Heated front seats			○ ²
RT3 radio/CD player/phone/Colour Satellite Navigation		○	○ ²
VTR Sports pack: . 'Chrome' effect lower front mesh grille . rear spoiler		◇ (Hatch.)	
'Chrome' effect lower front mesh grille		◇ (Estate)	
SE pack: . RT3 radio/CD player/phone/Colour Satellite Navigation . electric slide/tilt sunroof with pre-programmed opening positions . heated front seats			○

- Standard equipment ○ Optional factory fitted equipment ◇ Optional dealer fitted equipment

¹ With first annual licence free of charge.

² RT3 radio/CD player/phone/Colour Satellite Navigation, electric slide/tilt sunroof and heated front seats are part of the SE pack, and cannot be ordered individually.

³ Available with RT3 radio/CD player/phone/colour satellite navigation only.

⁴ Rear courtesy light and rear reading lights automatically deleted when electric slide/tilt sunroof is specified on Estate models.

Engine

	1.8i 16V	2.0i 16V	2.0i 16V Auto	3.0i V6 24V Auto
Capacity (cc)	1749	1997	1997	2946
Cylinders	4 in line	4 in line	4 in line	V6
Bore and stroke (mm)	82.7x81.4	85.0x88.0	85.0x88.0	87.0x82.6
Max power DIN (hp/rpm)	117/5500	138/6000	138/6000	210/6000
Max torque DIN (lb.ft/rpm)	118/4000	140/4100	140/4100	215/3750
Fuel system	Multipoint electronic fuel injection			

Transmission

	1.8i 16V	2.0i 16V	2.0i 16V Auto	3.0i V6 24V Auto
Five speed manual	●	●		
Four speed sequential auto-adaptive automatic			●	●
Clutch type	Dry single plate	Dry single plate	N/A	N/A

Performance

Max speed (mph)	122	129	126	144
0-62 mph (secs)	11.1	9.8	11.2	9.7
Standing 1000m (secs)	32.6	31.0	32.5	30.1

N.B. All figures driver alone

Economy Litres/100km (mpg)

Urban cycle	10.6 (26.6)	11.5 (24.6)	13.3 (21.2)	14.5 (19.5)
Extra urban	6.0 (47.1)	6.4 (44.1)	6.1 (46.3)	7.6 (37.2)
Combined	7.7 (36.7)	8.3 (34.0)	8.7 (32.5)	10.2 (27.7)

N.B. Official Government test fuel consumption figures

CO₂ Emissions (g/km)

	182	197	208	241
--	-----	-----	-----	-----

Wheels & Tyres

15" wheels with 195/65 R15 tyres	● (LX)			
16" alloy wheels with 215/65 R16 tyres	● (VTR)	●	●	●

Weights (kg)

Unladen weight	1290	1318	1325	1520
Max laden weight	1810	1845	1845	2020
Max towing weight braked	1500	1500	1500	1400
Max tow hitch download	75	75	75	75
Max roof rack load	75	75	75	75

Brakes

Servo assisted hydraulic dual circuit brakes. Front and rear discs. ABS with EBD and Emergency Braking Assistance (EBA)

Steering

	Hydraulic variable power assisted steering			
Number of turns lock to lock	3.3	3.3	3.3	3.0
Turning circle between kerbs (m)	10.6	10.6	10.6	11.8

Suspension

	Hydractive 3 with automatic ride height adjustment	Hydractive 3 with 'Sport' function and automatic ride height adjustment		
	Anti-roll bars front and rear - front: Macpherson strut - rear: independent trailing arms			

Fuel Tank Capacity Litres (gallons)

	66 (14.5)
--	-----------

Boot Volumes & Dimensions

Seats up - below parcel shelf (litres VDA)	456	456	456	456
Seats down - up to roof (litres VDA)	1310	1310	1310	1310
Depth under parcel shelf (mm)	554	554	554	554
Max access width (mm)	1184	1184	1184	1184
Max access height (mm)	663	663	663	663

Engine

	2.0HDi 90hp	2.0HDi 110hp	2.0HDi 110hp Auto	2.2HDi	2.2HDi Auto
Capacity (cc)	1997	1997	1997	2179	2179
Cylinders	4 in line	4 in line	4 in line	4 in line	4 in line
Bore and stroke (mm)	85.0x88.0	85.0x88.0	85.0x88.0	85.0x96.0	85.0x96.0
Max power DIN (hp/rpm)	90/4000	110/4000	110/4000	136/4000	136/4000
Max torque DIN (lb.ft/rpm)	151/1900	184/1750	184/1750	232/2000	232/2000
Fuel system	High pressure direct Diesel injection				

Transmission

	2.0HDi 90hp	2.0HDi 110hp	2.0HDi 110hp Auto	2.2HDi	2.2HDi Auto
Six speed manual				●	
Five speed manual	●	●			
Four speed sequential auto-adaptive automatic			●		●
Clutch type	Dry single plate	Dry single plate	N/A	Dry single plate	N/a

Performance

Max speed (mph)	112	119	117	127	126
0-62 mph (secs)	13.1	11.3	12.7	10.2	11.2
Standing 1000m (secs)	34.8	33.4	34.2	31.7	33.1

N.B. All figures driver alone

Economy Litres/100km (mpg)

Urban cycle	7.7 (36.7)	7.4 (38.2)	8.9 (31.7)	8.7 (32.5)	9.8 (28.8)
Extra urban	4.7 (60.1)	4.6 (61.4)	5.1 (55.4)	4.8 (58.9)	5.4 (52.3)
Combined	5.7 (49.6)	5.6 (50.4)	6.5 (43.5)	6.3 (44.8)	7.0 (40.3)

N.B. Official Government test fuel consumption figures

CO₂ Emissions (g/km)

	152	147	173	167	185
--	-----	-----	-----	-----	-----

Wheels & Tyres

15" wheels with 195/65 R15 tyres	●	● (LX)	● (LX)		
16" alloy wheels with 215/65 R16 tyres		● (VTR, Exclusive)	● (VTR, Exclusive)	●	●

Weights (kg)

Unladen weight	1360	1385	1410	1485	1520
Max laden weight	1880	1905	1910	1985	2020
Max towing weight braked	1500	1500	1500	1500	1100
Max tow hitch download	75	75	75	75	75
Max roof rack load	75	75	75	75	75

Brakes

Servo assisted hydraulic dual circuit brakes. Front and rear discs. ABS with EBD and Emergency Braking Assistance (EBA)

Steering

	Hydraulic variable power assisted steering				
Number of turns lock to lock	3.3	3.3	3.3	3.0	3.0
Turning circle between kerbs (m)	10.6	10.6	10.6	11.8	11.8

Suspension

	Hydractive 3 with automatic ride height adjustment			Hydractive 3 with 'Sport' function and automatic ride height adjustment	
	Anti-roll bars front and rear - front: Macpherson strut - rear: independent trailing arms				

Fuel Tank Capacity Litres (gallons)

	68 (15.0)
--	-----------

Boot Volumes & Dimensions

Seats up - below parcel shelf (litres VDA)	456	456	456	456	456
Seats down - up to roof (litres VDA)	1310	1310	1310	1310	1310
Depth under parcel shelf (mm)	554	554	554	554	554
Max access width (mm)	1184	1184	1184	1184	1184
Max access height (mm)	663	663	663	663	663

Engine

	1.8i 16V	2.0i 16V	2.0i 16V Auto	3.0i V6 24V Auto
Capacity (cc)	1749	1997	1997	2946
Cylinders	4 in line	4 in line	4 in line	V6
Bore and stroke (mm)	82.7x81.4	85.0x88.0	85.0x88.0	87.0x82.6
Max power DIN (hp/rpm)	117/5500	138/6000	138/6000	210/6000
Max torque DIN (lb.ft/rpm)	118/4000	140/4100	140/4100	215/3750
Fuel system	Multipoint electronic fuel injection			

Transmission

	1.8i 16V	2.0i 16V	2.0i 16V Auto	3.0i V6 24V Auto
Five speed manual	●	●		
Four speed sequential auto-adaptive automatic			●	●
Clutch type	Dry single plate	Dry single plate	N/A	N/A

Performance

Max speed (mph)	120	126	121	140
0-62 mph (secs)	11.5	10.0	11.8	9.7
Standing 1000m (secs)	32.8	31.2	33.1	30.2

N.B. All figures driver alone

Economy Litres/100km (mpg)

Urban cycle	10.8 (26.2)	11.9 (23.7)	14.1 (20.0)	14.8 (19.1)
Extra urban	6.2 (45.6)	6.4 (44.1)	6.2 (45.6)	7.7 (36.7)
Combined	7.9 (35.8)	8.4 (33.6)	9.1 (31.0)	10.3 (27.4)

N.B. Official Government test fuel consumption figures

CO₂ Emissions (g/km)

	187	200	217	245
--	-----	-----	-----	-----

Wheels & Tyres

15" wheels with 205/65 R15 tyres	●			
16" alloy wheels with 215/65 R16 tyres		●	●	●

Weights (kg)

Unladen weight	1371	1367	1374	1547
Max laden weight	1971	1967	1974	2160
Max payload*	600	600	600	613
Max towing weight braked	1300	1500	1500	1300
Max tow hitch download	85	85	85	85
Max roof rack load	75	75	75	75

Brakes

	Servo assisted hydraulic dual circuit brakes. Front and rear discs. ABS with EBD and Emergency Braking Assistance (EBA)			
--	---	--	--	--

Steering

	Hydraulic variable power assisted steering			
Number of turns lock to lock	3.3	3.3	3.3	3.0
Turning circle between kerbs (m)	10.6	10.6	10.6	11.8

Suspension

	Hydractive 3 with automatic ride height adjustment	Hydractive 3 with 'Sport' function and automatic ride height adjustment		
	Anti-roll bars front and rear - front: Macpherson strut - rear: independent trailing arms			

Fuel Tank Capacity Litres (gallons)

	66 (14.5)			
--	-----------	--	--	--

Boot Volumes & Dimensions

Seats up - below parcel shelf (litres VDA)	563	563	563	563
Seats up - up to roof (litres VDA)	893	893	893	893
Seats down - up to roof (litres VDA)	1658	1658	1658	1658
Depth under parcel shelf (mm)	481	481	481	481
Sill height - min/max (mm)	568 - 493/653	568 - 493/653	568 - 493/653	568 - 493/653
Max access width (mm)	1176	1176	1176	1176
Max access height (mm)	819	819	819	819

*Whilst payload figures are included for guidance, the actual payload will depend upon the weight of any optional equipment, fuel and passengers carried.

Engine

	2.0HDi 90hp	2.0HDi 110hp	2.0HDi 110hp Auto	2.2HDi	2.2HDi Auto
Capacity (cc)	1997	1997	1997	2179	2179
Cylinders	4 in line	4 in line	4 in line	4 in line	4 in line
Bore and stroke (mm)	85.0x88.0	85.0x88.0	85.0x88.0	85.0x96.0	85.0x96.0
Max power DIN (hp/rpm)	90/4000	110/4000	110/4000	136/4000	136/4000
Max torque DIN (lb.ft/rpm)	151/1900	184/1750	184/1750	232/2000	232/2000
Fuel system	High pressure direct Diesel injection				

Transmission

	2.0HDi 90hp	2.0HDi 110hp	2.0HDi 110hp Auto	2.2HDi	2.2HDi Auto
Six speed manual				●	
Five speed manual	●	●			
Four speed sequential auto-adaptive automatic			●		●
Clutch type	Dry single plate	Dry single plate	N/A	Dry single plate	N/A

Performance

Max speed (mph)	109	116	114	125	123
0-62 mph (secs)	13.5	11.6	13.4	10.6	11.3
Standing 1000m (secs)	35.2	33.7	34.8	32.3	33.3

N.B. All figures driver alone

Economy Litres/100km (mpg)

Urban cycle	7.7 (36.7)	7.6 (37.2)	9.3 (30.4)	8.7 (32.5)	9.9 (28.5)
Extra urban	4.8 (58.9)	4.6 (61.4)	5.2 (54.3)	5.0 (56.5)	5.4 (52.3)
Combined	5.9 (47.9)	5.7 (49.6)	6.7 (42.2)	6.4 (44.1)	7.1 (39.8)

N.B. Official Government test fuel consumption figures

CO₂ Emissions (g/km)

	155	149	178	169	187
--	-----	-----	-----	-----	-----

Wheels & Tyres

15" wheels with 205/65 R15 tyres	●	● (LX)	● (LX)		
16" alloy wheels with 215/65 R16 tyres		● (VTR, Exclusive)	● (VTR, Exclusive)	●	●

Weights (kg)

Unladen weight	1423	1438	1464	1518	1558
Max laden weight	2023	2038	2064	2148	2175
Max payload*	600	600	600	630	617
Max towing weight braked	1400	1500	1500	1450	1000
Max tow hitch download	85	85	85	85	85
Max roof rack load	75	75	75	75	75

Brakes

	Servo assisted hydraulic dual circuit brakes. Front and rear discs. ABS with EBD and Emergency Braking Assistance (EBA)				
--	---	--	--	--	--

Steering

	Hydraulic variable power assisted steering				
Number of turns lock to lock	3.3	3.3	3.3	3.0	3.0
Turning circle between kerbs (m)	10.6	10.6	10.6	11.8	11.8

Suspension

	Hydractive 3 with automatic ride height adjustment			Hydractive 3 with 'Sport' function and automatic ride height adjustment	
	Anti-roll bars front and rear - front: Macpherson strut - rear: independent trailing arms				

Fuel Tank Capacity Litres (gallons)

	68 (15.0)				
--	-----------	--	--	--	--

Boot Volumes & Dimensions

Seats up - below parcel shelf (litres VDA)	563	563	563	563	563
Seats up - up to roof (litres VDA)	893	893	893	893	893
Seats down - up to roof (litres VDA)	1658	1658	1658	1658	1658
Depth under parcel shelf (mm)	481	481	481	481	481
Sill height - min/max (mm)	568 - 493/653	568 - 493/653	568 - 493/653	568 - 493/653	568 - 493/653
Max access width (mm)	1176	1176	1176	1176	1176
Max access height (mm)	819	819	819	819	819

*Whilst payload figures are included for guidance, the actual payload will depend upon the weight of any optional equipment, fuel and passengers carried.

New generation auto-adaptive suspension

Auto-adaptive Hydractive 3 suspension is unique to Citroën. Combining digital technology with re-designed, simplified hydraulics, it is probably the most advanced suspension system available on any mainstream production car. Hydractive 3 provides the Citroën C5 with levels of road-holding, ride comfort and handling that are simply outstanding. On some models the system uses a number of electronic sensors to continually monitor the state of the road and to analyse driver input, such as braking, steering and acceleration. This information is relayed to C5's Built-in Hydroelectronic Interface (BHI), which reacts to adjust the suspension's spring rate and damping. With the suspension matched to the road conditions and your driving style, C5 smoothes out a rough road, gives a poised, balanced ride, superb handling and rock-solid road-holding.

For drivers who favour a more assertive driving style, a 'Sport' setting puts the suspension into performance mode more often and for longer.



C5's cockpit is where intelligent design and passionate attention to detail come together to promote the comfort, safety and well-being of the driver. Nothing has been left to chance, ensuring you stay relaxed, alert and in control, even on the longest journeys.



'Hungaro' 16"
alloy wheels

LX key equipment

- Hydractive 3 suspension with automatic ride height adjustment
- ABS with Electronic Brakeforce Distribution (EBD)
- Emergency Braking Assistance (EBA)
- Adaptive driver's and front passenger's airbags
- Front lateral and side window airbags
- Front passenger's airbag cut-off device
- Automatic activation of hazard warning lights
- High level third brake light
- Air conditioning
- Multi-function on-board trip computer (Auto models only)

VTR key equipment (over LX)

- Automatic rain sensitive windscreen wipers
- Electric rear windows with one-touch operation and anti-pinch
- 'Black panel' night-time instrument lighting
- Alloy wheels
- Leather steering wheel
- Front passenger's seat height adjustment
- Driver's and front passenger's adjustable and folding armrests
- Anti-theft alarm
- Multi-function on-board trip computer

Exclusive key equipment (over VTR)

- Hydractive 3 suspension with 'Sport' function and automatic ride height adjustment (excluding 2.0HDI 110hp engine)
- Electronic Stability Programme (ESP) and traction control
- Cruise control
- Tyre pressure warning
- Xenon headlamps in lieu of front fog lights
- Headlamp washer jets
- Parking assistance pack: rear parking sensors, automatic retractable door mirrors, indexable passenger door mirror and electrochrome rear view mirror
- Automatic digital air conditioning with sunlight sensor and separate temperature controls for driver and front passenger
- Six CD autochanger