

Roadranger®

Eaton® Fuller® 9-Speed Transmissions

RT/RTX-11709H RT/RTX-14709H
RT/RTX-12709H RTX-16709H
RT/RTX-13709H



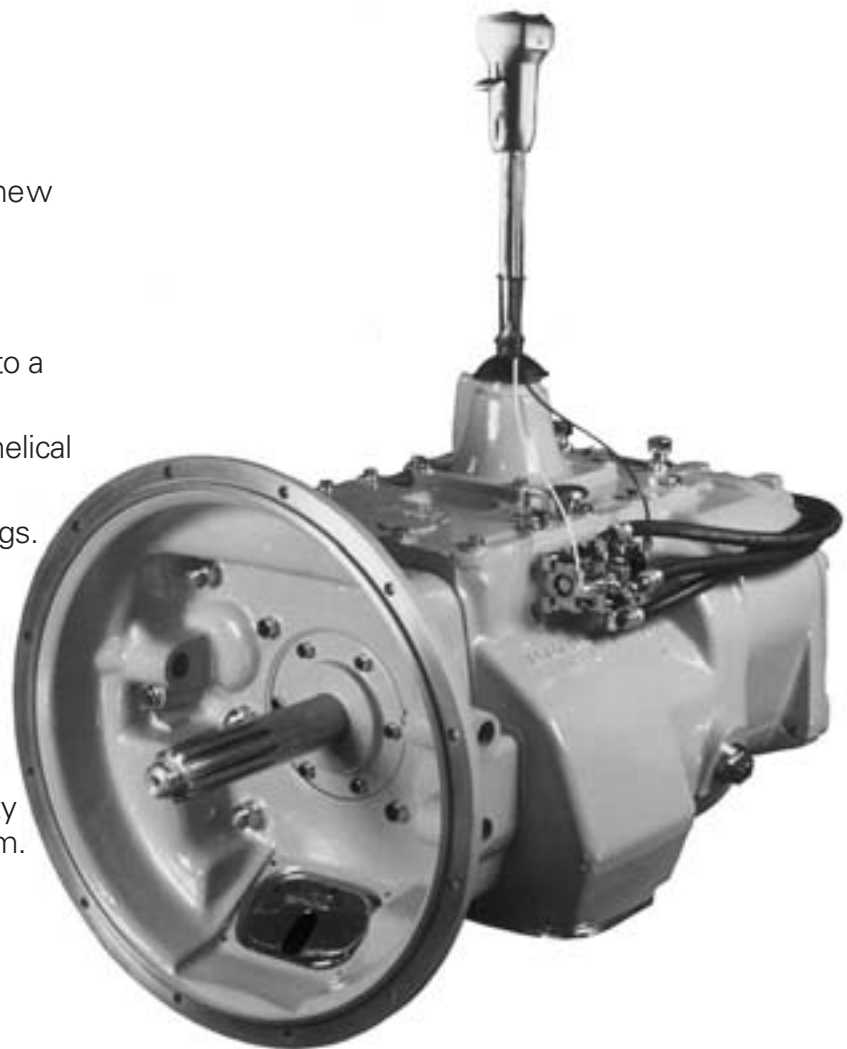
EAT•N

One Great Drivetrain from Two Great Companies

H-Ratio 9-Speeds

Improved Shiftability Low to 1st
for Fleets Preferring a 9-speed Shift
Pattern and Moderate Ratio Coverage.

- Improved tolerance to driver abuse due to new mainshaft washer design.
- For on-highway use with engines up to 1650 lbs.ft. torque.
- Better startability and maneuverability due to a short step between low and first.
- Long life and quiet operation due to tough helical gears in the auxiliary section.
- Standard SAE 6-bolt and 8-bolt PTO openings.
- Triple lip seals for maximum protection against contaminants and triple the life of earlier designs.
- Roadranger warranties are available for a wide variety of applications. To find the coverage that applies to your specific vocation, please see the Vocational Warranty Guide (TCWY-0900) at www.roadranger.com.



Eaton® Fuller® 9-Speed Transmissions

Specifications:

Speeds:

9 forward, 2 reverse.

Capacity:

RT/RTX-11709H – 1150 lbs.ft.
 RT/RTX-12709H – 1250 lbs.ft.
 RT/RTX-13709H – 1350 lbs.ft.
 RT/RTX-14709H – 1450 lbs.ft.
 RTX-16709H – 1650 lbs.ft.

Weight:

RT/RTX-11709H – 581 lbs. (604 lbs.)*
 RT/RTX-12709H – 583 lbs. (606 lbs.)*
 RT/RTX-13709H – 588 lbs. (606 lbs.)*
 RT/RTX-14709H – 607 lbs. (630 lbs.)*
 RTX-16709H – 617 lbs. (640 lbs.)*
 Less clutch housing and controls. *with SAE #1 aluminum clutch housing.

Length:

RT/RTX-11/12/13709H – 28.9 in.
 RT/RTX-14709H – 29.5 in.
 RTX-16709H – 29.5 in.

Lengths listed are from face of clutch housing to front bottoming surface of companion flange or yoke.

Clutch Housing Size:

SAE #1 and SAE #2 grey iron. Aluminum available.

PTO Openings:

Two SAE standard openings. Right side: regular-duty, 6 bolt. Bottom: heavy-duty 8 bolt. Thru-shaft PTO also available.

PTO Drive Gears:

Right side: 45-tooth, 6/8 pitch gear. Bottom: 47-tooth, 6/8 pitch gear. PTO speed is 70% of engine speed for RT (Direct) models and 79% of engine speed for RTX (Overdrive) models.

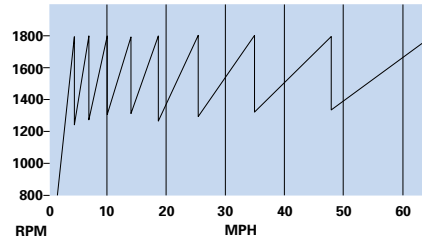
Oil Capacity:

Approx. 27 pints (13 liters).

Ratios and Steps:

GEAR	RT SERIES RATIO	% STEP	RTX SERIES RATIO	% STEP
8th	1.00	34	.73	37
7th	1.34	36	1.00	38
6th	1.83	40	1.38	42
5th	2.57	39	1.95	42
Range Shift		34		37
4th	3.57	36	2.77	38
3rd	4.80	40	3.79	42
2nd	6.53	45	5.23	42
1st	9.16		7.41	
Low	13.29		10.55	
Hi Rev	3.89		2.99	
Lo Rev	13.89		11.33	
Overall	13.29:1		14.45:1	

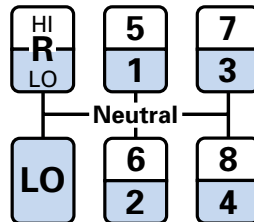
Performance Chart:



Based on engine operating at 1800 RPM and geared speed of 65 MPH.

Even steps keep engine operating in most efficient segment of the power curve. Ratio steps maintain engine above peak torque for good performance plus economy.

Shift Pattern:



Roadranger®

MORE TIME ON THE ROAD

The Roadranger® System is an unbeatable combination of the best products from Eaton and Dana – partnering to provide you the most advanced, most trouble-free drivetrain in the industry. And it's backed by the Roadrangers – the most experienced, most expert, most accessible drivetrain consultants in the business.

For spec'ing or service assistance, call **1-800-826-HELP** (4357) 24 hours a day, 7 days a week, (Mexico: 001-800-826-4357) for more time on the road. Or visit our web site at **www.roadranger.com**.

Eaton Corporation
 Truck Components Operations
 P.O. Box 4013
 Kalamazoo, MI 49003
 U.S.A.
www.roadranger.com

Copyright Eaton and Dana Corporation, 2003. EATON AND DANA CORPORATION hereby grants its customers, vendors, or distributors permission to freely copy, reproduce and/or distribute this document in printed format. THIS INFORMATION IS NOT INTENDED FOR SALE OR RESALE, AND THIS NOTICE MUST REMAIN ON ALL COPIES.



One Great Drivetrain from Two Great Companies

© 2003 Eaton Corporation
 All rights reserved.
 Printed in USA
 TRSL-0233 2/03
 2M/WP