



ŠkodaSuperb



B 002 20 08/03

Welcome to your Škoda Retailer

The information in this brochure referring to specification, design, equipment, material and external appearance relates to the time at which this brochure was printed. Whilst every effort is made to ensure its accuracy, the information in this brochure is not binding and is subject to alteration.

Some illustrations in this brochure depict left hand drive models, with both standard and optional equipment shown. Please confirm exact specifications, prices and colour availability with your Škoda Retailer who will be notified of any specification changes as they occur.

Car shown throughout is the Superb Elegance with optional alloy wheels at no extra cost.

**Edition:** UK 08/03

**Information:** 08457 745 745

**Internet:** [www.skoda.co.uk](http://www.skoda.co.uk)

**E-mail:** [customerservices@skoda.co.uk](mailto:customerservices@skoda.co.uk)

"True freedom is taking the liberty to challenge major concepts again and again."

Václav Klement



## Contents

### Introduction

Challenging perceptions of quality and innovation	4
Making a statement about style and individuality	6
Where space is a means of true luxury	8
Focused on people, designed to impress	10
Wherever you look, whatever you touch, experience total quality	12
Peace of mind is knowing you're prepared for the unexpected	14
Savour the experience, wherever it may take you	16
Awaken your senses to smooth responsive power	18
Discover a world of uncompromising reliability	20
Freedom to choose to express your individuality	22

### Equipment

Environmental control	24
Interior space	26
Comfort and convenience	28
Audio systems	30
Navigation and control	31
Technical innovations	32
For your safety	34

### Model range

Interior style	36
Classic trim	38
Comfort trim	39
Elegance trim	40

### Equipment specification

Exterior equipment	42
Interior equipment	43

### Colour and upholstery

Colour choice	44
Trim choice	45

### Technical specification

Technical specifications	46
Measurements	48

### Technical glossary

50

### Customer services

51

## Challenging perceptions of quality and innovation

You can trace the roots of Škoda, one of the world's oldest automobile manufacturers, way back to 1895. In that year, at Mlada Boleslav just outside Prague, businessman Václav Klement and engineer Václav Laurin began in partnership to make motorcycles. By 1906 they had produced their first car and set in motion an era of luxurious Škodas that would continue well into the 1930s.

Škoda cars rank among the most elegant saloons of the period and are famous for their style, comfort and technical finesse. When the Škoda Superb appeared in 1934 it represented the pinnacle of automotive achievement. It had an outstanding finish and its advanced technologies included an eight cylinder 90 bhp engine. However, perhaps the most discussed characteristic was its five and half metre length which allowed an interior of truly remarkable dimensions.

Today, more than 60 years later, there's a new Škoda being talked about in homage to its classic predecessor. It is also a technically advanced, elegant saloon with a spacious interior, and it too bears the name Superb.

The new Škoda Superb is a challenge to your perceptions. It invites you to think beyond convention, to explore an alternative world of high class executive motoring, and to discover exceptional standards of quality, style and innovation.



## Designing a car starts with thinking about people

The new Superb epitomises contemporary styling. Its flowing contours reflect both the sophisticated driving dynamic and the comfort of its well designed interior. Through every aspect, wherever you look, you'll discover quality in form and function.





## Where space is a means of true luxury

Space is used with great effect in the Superb to enhance the pleasure experience. For instance, the rear door is the largest ever featured on a modern Škoda saloon and so gives your passengers easy access to the luxurious interior.



## Focused on people, designed to impress

To sit in a Superb is to recognise quality in its broadest sense. Quality that comes from the spacious seating area, the design innovations that benefit you and your passengers, and the exceptionally high standards of finish through every detail.



Car shown is not UK specification.

Wherever you look,  
whatever you touch,  
experience total quality

When you're behind the wheel of a Superb you'll immediately notice the luxury of space and effective ergonomics. Plenty of head, shoulder and leg room helps create a comfortable driving position.

Adjustable seating gives you freedom to move yet offers support and holds you firmly in place. And the well laid out dashboard and instrument panels bring all the controls within easy reach and clear viewing for safer driving.

Equally, space and innovation combine to create a quality experience for your passengers. In the rear there's room for even the longest legs, and the well-designed seating means that all your passengers can travel in comfort.

Added to all of this is an extraordinary attention to detail. For instance, the front centre console has a climate controlled storage compartment, there's an umbrella holder<sup>1</sup> built into the rear door panel, and the rear seat armrest has integrated cup-holders. From front to back, each aspect of the interior has been conceived to create a quality environment. Ultimately, everything combines to enhance the pleasure for you and your passengers.

<sup>1</sup> Comfort and Elegance models only.

Car shown is an Elegance with optional full leather interior and Satellite Navigation at extra cost.



SKODA



## Peace of mind is knowing you're prepared for the unexpected

The Superb is purpose designed to maximise protection for you and your passengers.

All Superbs feature an extensive array of safety equipment as standard, including anti-lock brakes (ABS), electronic differential lock (EDL), driver, front passenger, side and curtain airbags\*.

Additionally traction control (ASR) and electronic stability programme (ESP) are either standard or available as an option depending upon trim and engine.

\* Please see page 42/43 for availability.

Car shown is not UK specification



Savour the experience,  
wherever it may take you

The Superb's inherent sense of balance, precise power steering and smooth reactive suspension establish levels of roadholding, manoeuvrability and comfort that you'll find as rewarding in the city as when stretching through the hills or cruising the motorway.





## Awaken your senses to smooth responsive power

At the heart of the Superb is a range of advanced petrol and diesel engines offering the optimum balance of power, performance and economy. Whatever your preferred driving style, there's an engine that's right for you.

For true exhilaration, the 2.8 litre V6 30 valve petrol engine produces a resounding 193 bhp and 280 Nm of torque that effortlessly glides your Superb to 147 mph<sup>1</sup> and delivers 0 to 62 mph acceleration in just 8.0 seconds<sup>2</sup>. Alternatively, but equally rewarding, are the two four cylinder petrol engines; a strong 115 bhp 2.0 litre and a sporty 150 bhp 1.8 litre 20 valve turbocharged model.

Similarly, you have a choice of three diesel engines. The powerful 2.5 litre V6 TDI gives a top speed of 139 mph<sup>1</sup> and accelerates from 0 to 62 mph in 9.2 seconds<sup>3</sup>, whilst a choice of 100 bhp or 130 bhp 1.9 TDI engines offer exceptionally frugal alternatives, using Škodas acclaimed and highly efficient pumpe-düse technology.

Depending on the engine, power is delivered through either five or six speed manual transmission or, on the 2.8 litre V6 30 valve petrol and 2.5 litre V6 TDI diesel engines, an optional Tiptronic five speed automatic (Elegance trim only).

Naturally, all the Superb engines comply with Europe's stringent EUIV (petrol and V6 TDI 160 bhp) or EUIII (diesel) emission control directives\*.

<sup>1</sup> Where UK law permits

<sup>2</sup> 5 speed manual gearbox

<sup>3</sup> 6 speed manual gearbox

\* Please see pages 46 and 47 for full information.

Discover a world of  
uncompromising reliability

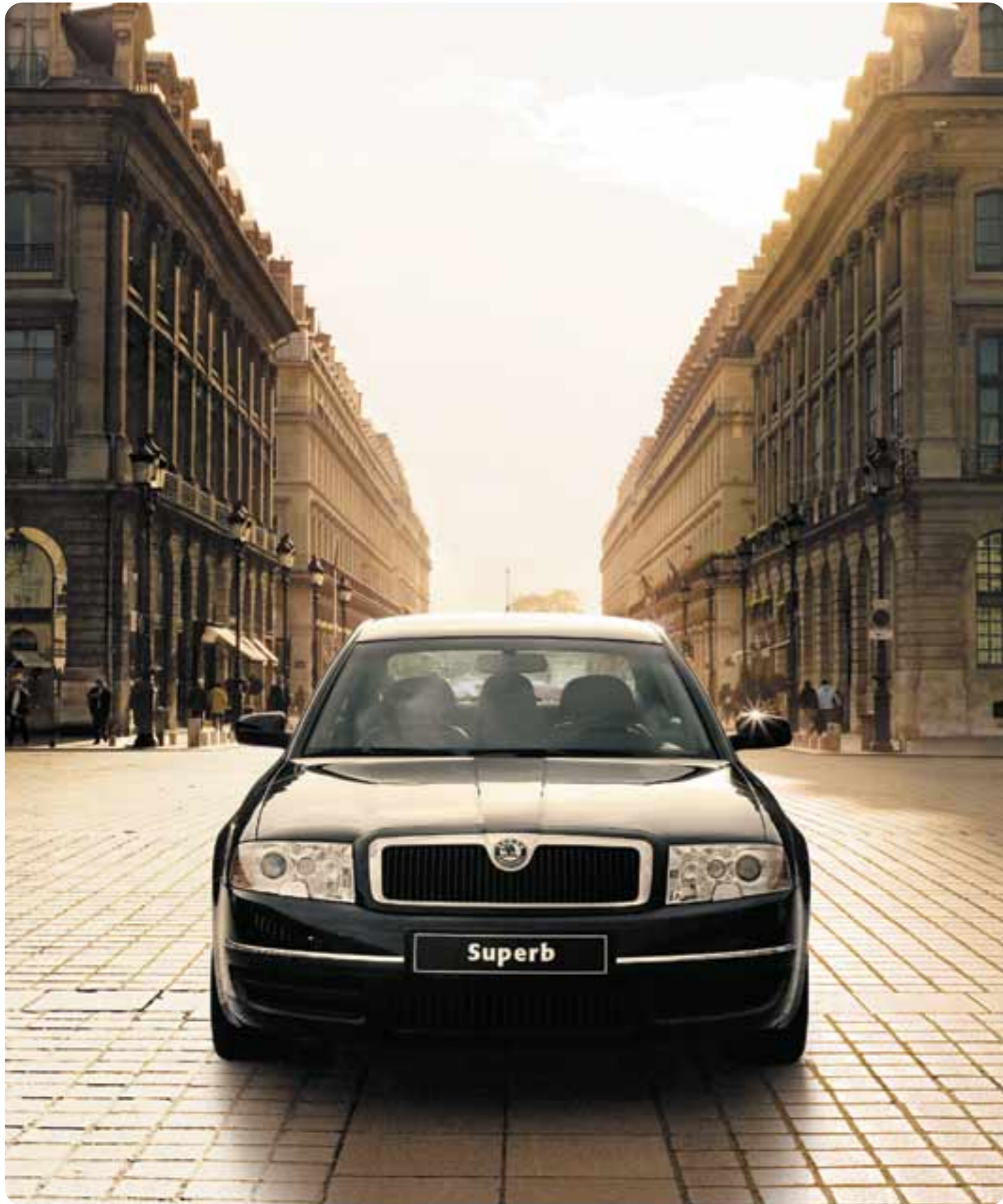
You can depend on your Superb to consistently perform at optimum levels no matter how you drive. Today's Škodas and their components are built to exacting standards in some of the world's most advanced production facilities.



## Freedom to choose to express your individuality

Choice is the very essence of individuality. That's why, although every Superb is highly specified as standard and delivers exceptional value, you also have three different trim levels to choose from; Classic, Comfort and Elegance.





## Environmental control

- 1 Climatronic: The electronically monitored Climatronic air-conditioning in the Classic, Comfort and Elegance models.
- 2 Rear seat ventilation: Dedicated air vents in the back ensure that your rear seat passengers enjoy the full benefit of the climate control system.
- 3 Electrically heated seats: Fitted as standard in the front and rear of Elegance models. Available with optional full leather upholstery on Comfort models.



## Interior space

- 1 Rear seats: There's plenty of room for even the longest legs and, as standard in Elegance models, there's the added luxury of heated seating (front & rear). Full leather available on Comfort and Elegance models at extra cost.
- 2 Foldable hooks: Positioned on the ceiling of the luggage compartment. These help prevent shopping bags falling over when you're driving.
- 3 SkiSack: Ideal for long, bulky items such as skis or snowboards. Fitted as standard in Comfort and Elegance models.
- 4 Cup holder: Integrated within the rear armrest to securely hold two drinks.
- 5 CargoFlex\*: 25kg capacity variable loading system stored in the backrest of the rear seats. A simple lever action is all that's required to fold it out into the luggage compartment.
- 6 CargoFlex\*: This method of luggage retention allows you to stow small items so that they won't move around during your journey.
- 7 CargoFlex\*: The system can easily be pushed back to the middle of the car boot, even when loaded, to create space for other items of luggage.

\* CargoFlex is available as an option.



## Comfort and convenience

- 1 Climate controlled glove compartment: A wonderfully practical and convenient way of keeping things cool during hot weather.
- 2 Electric sunroof: Features tinted glass to protect against the sun's glare. Like the windows, the sunroof can be closed from the outside using the central locking system. Fitted as standard on Elegance models and available as an option on Classic and Comfort.
- 3 Umbrella holder: A special compartment is built into the left rear door containing a Skoda branded umbrella. The compartment is ingeniously designed so that any water left on the umbrella after use is channelled outside the car. Fitted as standard on Comfort and Elegance models.



- 4 Travel box: Especially useful on long journeys. The front centre console features a climate controlled storage compartment for small drinks or snacks.
- 5 Driver seat with memory function: An electrically adjustable driver seat is fitted as standard on Elegance models. This allows you to store three different seat and door mirror settings, which can be retrieved on your next drive, and enables different drivers to find their preferred seating position immediately.
- 6 CatVision: When it's dark, illumination of the dashboard with a subtle warm light creates a visible yet reassuringly safe environment that won't distract as you drive.
- 7 Illuminated door handles: To make them easier to find at night, the inside door handles are automatically illuminated.

Auto-dimming rear view mirror: A sensor monitors whether headlights from a following vehicle might dazzle you and, if so, the mirror automatically darkens to prevent eye strain. Standard on Comfort and Elegance models.



## Audio systems

- 1 Radio installation: Fitted as standard equipment on every Superb are eight loudspeakers and a roof aerial.
- 2 CD changer: Six disc capacity. Located in boot compartment. Standard on Comfort and Elegance models.
- 3 Symphony radio with in-dash CD player: Car radio has RDS/EON\*, TA memory for traffic updates and many other features with a high quality in-dash CD player. Standard on Classic models.
- 4 Symphony radio cassette: Car radio with an electronic cassette deck for enhanced sound quality and SCAN functionality. Station information and RDS messages appear within your field of vision on the Maxi-DOT console display. Fitted with a six CD autochanger. Standard on Comfort and Elegance models.

\* Please see glossary on page 50.

## Navigation and control

- 1 Navigation and sound-system\*: The Superb navigation system constantly tracks the position of your vehicle. Route instructions are indicated on the Maxi-DOT display conveniently located on the console within your field of vision. A driver function button allows you to tune the sound to your ideal preference.
- 2 Multifunction steering wheel: The easily accessible control keys on the left of the steering wheel allow you to safely operate the cruise control system with your hand. Fitted as standard on Comfort and Elegance models.
- 3 Multifunction steering wheel: The control keys on the right of the steering wheel enable you to easily adjust radio functions such as volume and station while you drive. Fitted as standard on Comfort and Elegance models.
- 4 Maxi-DOT: Located on the console along your line of sight for safe driving, the Maxi-DOT multifunctional display provides easy access to the data in the onboard computer. It can show information such as external temperature, average speed and range, inform you of any possible malfunctions and display navigation system graphics. Standard on Comfort and Elegance.

\* Available as an option





## Technical Innovations

- 1 Mirror boarding spots: At night, when you're getting in or out of your car, lights on the underside of the wing mirrors automatically illuminate the ground around the door and so make mud, puddles and obstacles clearly visible. Can also be activated by remote control. Fitted as standard on Comfort and Elegance models.
- 2 Headlight washers: For maximum aerodynamic efficiency the high pressure washers extend automatically when in use and then retract back into the headlamp afterwards. Fitted as standard on Elegance models.
- 3 Rear lights: The large rear lights with integrated fog lamps maximise visibility while blending harmoniously with the balanced design of the car tail.
- 4 Parking distance control: To help you keep your Superb in pristine condition, when parking, unobtrusive sensors in the rear bumper measure the distance between your car and the nearest obstacle and trigger an on-board acoustic signal that varies the closer you get. Fitted as standard on Comfort and Elegance models.



- 5 Door boarding spots: At night, when you open the front doors, lights on the underside of the doors will illuminate the ground for a one metre radius. Fitted as standard on Comfort and Elegance.
  - 6 Aero wipers: For optimum visibility in bad weather, especially designed wipers redistribute pressure that builds up when you are driving and spreads it evenly across the entire length of the wiper blade.
  - 7 Bi-Xenon headlights: An innovative design utilising gas filled tubes coupled with electromagnetic baffles gives you the benefits of Xenon illumination on both dipped and full beam. Fog lamps and halogen headlights are also integrated into the light cluster. Fitted as standard on Elegance models.
- Coming home: For added safety and reassurance when leaving the car, the Superb's headlights remain illuminated for 30 seconds after the car doors have been closed (when activated).
- 8 Rain sensor: Located inside the windscreen, the sensor detects rainfall and automatically activates the wipers at the appropriate speed. Fitted as standard on Comfort and Elegance models.



## For your safety

Chassis: A multi-link front axle and rear crank axle help make the Superb exceptionally stable and safe to drive.

1. Driver support systems\*: The Superb has several advanced electronic systems to support driver control:

The 2.0 litre petrol and 1.8 litre turbo petrol models feature ABS (Anti-Lock Braking System) and EDL (Electronic Differential Lock) as standard.

The 1.9 TDI diesel model features ABS, EDL, ASR (Anti-Slip Regulation) and MSR (engine torque control system) as standard.

The 2.8 litre V6 30V petrol and 2.5 litre V6 TDI diesel engines have ABS, EDL, ASR, MSR and ESP (Electronic Stability Programme) as standard.

Safety systems: The Superb incorporates a host of safety features including front and rear crumple zones, extra diagonal door struts for side impact protection, a specially designed engine mount, pedal and steering unit, fuel cut-off and central locking automatic deactivation systems.

You and your passengers are also protected by three-point seat belts with tensioning systems<sup>1</sup> that work in conjunction with airbags for added safety.

2. Central headrest: Every Superb is fitted with three rear seat headrests and three-point seat belts to help protect your passengers against neck injuries.

3. Side airbags: Two side airbags fitted into the driver and front passenger seats immediately inflate if your car is struck from the side. Standard on all models.

4. Large-capacity airbags: Activated for the driver and front passenger in the event of a frontal collision. Standard on all models.

5. Curtain airbags: Inflate to form a curtain shield offering additional protection for front and rear passengers. Standard on all models built from 1st January 2003.

\* Please see Technical glossary on page 50 for definitions of technical abbreviations.

<sup>1</sup> Pre-tensioners not available on rear centre 3 point seat belt.



## Interior Style

You'll find a high quality interior in every Škoda Superb. However, the different trim levels each present a distinctly individual style and personality.

1 Classic: The centre console, door handle and air vent frames and the door inserts are finished with an Onyx black Volcano plastic trim.

2 Comfort: An Onyx black Volcano plastic centre console trim is complemented by stylish Nicro matt alloy finish for the door handle, air vent frames and door inserts. The gear knob and gaiter, handbrake and steering wheel are finished in leather.

3 Elegance\*: The centre console, door inserts and gear knob have an exclusive Vavona wood trim while the frames of the door handles and air vents are finished with Nicro matt alloy coating. The gear knob and gaiter, handbrake and steering wheel are finished in leather.

\* Satellite Navigation system available as an option on all models. See your retailer for details.



## Classic trim

Approach the Superb Classic from any angle and you'll immediately notice the accent on quality. Chrome upper window frames and subtle touches like colour co-ordinated mirrors, handles and bumpers (metallic paint as standard) combine to make a real statement about style.

On the inside, Climatronic automatic air conditioning, a single CD player and front and rear electric windows are all fitted as standard. The glove compartment is climate controlled, as is the handy storage space (Travel Box) in the front armrest for keeping drinks cool. Similarly, an illuminated dashboard and door handles help create a relaxing yet purposefully efficient ambience. In fact, inside and out, with the Superb Classic you'll find quality in detail wherever you look.



Picabo interior in Onyx/Indigo.



Picabo seat covers in Onyx.



Chrome window trim strips. Standard on Classic and above.



Centre console: Volcano décor. Standard on Classic.



STONE 16" steel wheels with covers. Standard on Classic.

## Comfort trim

The Superb Comfort has all the quality of the Classic plus many extra features. Visually, your attention will straightaway be taken by the stylish alloy wheels and metal door sills. As the driver you'll appreciate technical innovations including rain sensors that automatically activate the wipers, an auto-dimming rear view mirror to protect against headlight glare, parking sensors and a multi-function steering wheel with cruise control. For added convenience, side mirror boarding spots and under door lighting illuminate the ground.

Special interior refinements include a ski storage unit, an in-built umbrella holder and foot-well lighting for rear passengers.

The key to the Comfort is that everything combines to add even more pleasure to the motoring experience.



Contour interior in Onyx.



Contour seat covers in Ivory.



Superb door sill strips. Standard on Comfort and above.



Centre console: Volcano décor. Standard on Comfort.



METAN 16" alloy wheels. Standard on Comfort.

## Elegance trim

The top of the range Elegance represents the ultimate in Škoda Superb styling, comfort and convenience.

On the road you benefit from Bi-Xenon headlights, retractable headlight washers and electrically operated folding door mirrors. The eye-catching 17" alloy wheels and chrome trim enhance the Superb's elegant design. Comfort is all around you. The luxurious front seats are electrically adjustable and have three memory settings so that you can easily return them to your favourite position. Both the front and rear seats are heated. Whether travelling long distance or popping around the corner, the exceptional specification of the Superb Elegance constantly reminds you of just how special driving can be.



Dignity interior in Ivory.



Dignity seat covers in Onyx.



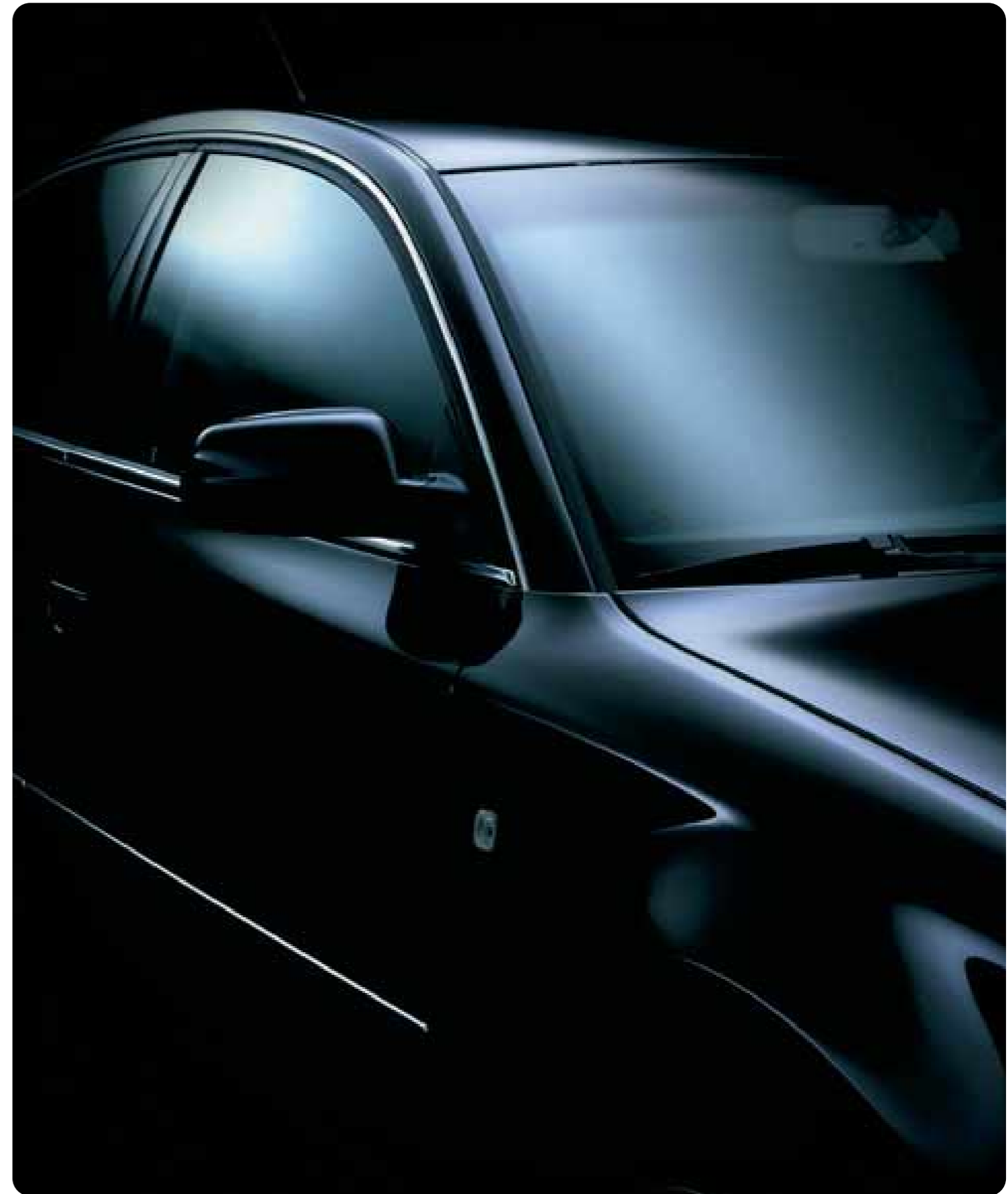
Decorative chrome trim on bumper. Standard on Elegance.



Centre console: Vavona décor. Shown with automatic tiptronic transmission available on V engines.



CUBIC 17" alloy wheels. Standard on Elegance.



## Exterior equipment

	Classic	Comfort	Elegance
ABS + EDL (for 2.0 115bhp and 1.8T 150bhp only)	●	●	-
ABS + EDL + ASR + MSR (for 1.9 TDI PD 100bhp and 1.9 TDI PD 130 bhp only)	●	●	●
ABS + EDL + ASR + MSR + ESP (for 2.0 115bhp, 1.8T 150bhp, 1.9 TDI PD 100bhp and 1.9 TDI PD 130 bhp)	○	○	○
ABS + EDL + ASR + MSR + ESP (for 2.8 V6 30V 193bhp and 2.5 V6 TDI 155bhp only)	-	●	●
Acoustic parking sensors (rear only)	○	●	●
Aero wipers with intermittent function	●	●	●
Alarm with interior monitoring and backup alarm horn	●	●	●
Steel wheels 7 J x 16" with 'Stone' wheel trim and 205/55 R16 91W tyres	●	-	-
Alloy wheels 7 J x 16" - 'Metan' and 205/55 R16 91W tyres	○	●	-
Alloy wheels 7 J x 17" - 'Cubic' and 225/45 R17 91Y tyres	-	-	●
Alloy Wheels 7 J x 16" - 'Orbit' and 205/55 R16 91W tyres	○	-	-
Alloy wheels 7 J x 17" - 'Solid' and 225/45 R17 91Y tyres	○	○	○
Bi-Xenon headlamps with dynamic adjustment and integrated headlamp washers	-	-	●
Body coloured bumpers with black protective mouldings	●	●	-
Body coloured bumpers with black protective mouldings and chrome-plated strips	-	-	●
Body coloured door mirrors and handles	●	●	●
Child safety locks on rear doors	●	●	●
Chrome plated lower window frames	-	-	●
Chrome plated upper window frames	●	●	●
Coming-Home function (provides lighting for a short period of time when leaving the car)	●	●	●
Electric front and rear windows	●	●	●
Electric sunroof	○	○	●
Electrically adjustable and heated door mirrors	●	●	●
Electrically adjustable and heated door mirrors with lights illuminating the door area	-	●	●
Electrically adjustable folding door mirrors with memory system	-	-	●
Fog-lamps integrated in headlamps	●	●	●
Front and rear door sill covers	-	●	●
Fuel supply cut off (in case of crash)	●	●	●
Immobiliser, VIN code sticker	●	●	●
Metallic paint	●	●	●
Rain sensor wipers	-	●	●
Tinted glass	●	●	●

<sup>1</sup>Curtain airbag fitted as standard on vehicles built from 1st January 2003

<sup>2</sup>Leather upholstery comes with electronic memory seats as a cost option

## Interior equipment

	Classic	Comfort	Elegance
12V outlet in luggage compartment	●	●	●
Auto-dimming rear-view mirror	-	●	●
CargoFlex system in luggage compartment	○	○	○
CatVision (diffused interior illumination)	●	●	●
Central sunvisor	●	●	●
Chrome illuminated interior door handles	●	●	●
"Climatronic" electronically regulated air-conditioning	●	●	●
Cruise control	○	●	●
Curtain airbags <sup>1</sup>	●	●	●
Driver and front passenger airbags	●	●	●
Driver and front passenger side airbags	●	●	●
Electronically adjustable driver and passenger seat (drivers seat with memory)	-	○ <sup>2</sup>	●
Folding rear centre armrest with two integrated cupholders	●	●	●
Front and rear ashtrays with an illuminated 12V outlet	●	●	●
Front and rear carpet mats	●	●	●
Green-lit instrument panel, adjustable intensity of instrument illumination	●	●	●
Heated front and rear seats (separate controls)	-	-	●
Height adjustable drivers and passenger seat with lumbar support	●	●	●
Height adjustable front seatbelts with pre-tensioners	●	●	●
Height and tilt adjustable front headrests	●	●	●
Height adjustable rear headrests (three)	●	●	●
Height and reach adjustable steering wheel	●	●	●
Illuminated front leg room	●	●	●
Illuminated rear leg room	-	●	●
Illuminated, and lockable, climate controlled glove compartment with two integrated cupholders	●	●	●
Luggage compartment lighting	●	●	●
Luggage compartment tilting hooks	●	●	●
Memory function drivers seat and door mirrors	-	-	●
Multi-function indicator (trip computer)	●	●	●
Multi-function steering wheel (cruise control and radio)	-	●	●
Navigation system with colour screen and sound system	○	○	○
Reading lamps in front and rear	●	●	●
Remote central locking with SAFE system	●	●	●
Small leather pack: steering wheel, gear knob and gaiter, hand brake handle	-	●	●
Storage pockets on the back of front seats	●	●	●
Storage slot with removable SkiSack behind the rear armrest	-	●	●
Symphony radio with cassette deck with 6 CD autochanger - 8 speakers	○	●	●
Symphony radio with in-dash CD player - 8 speakers	●	-	-
Third 3 point seat belt with pre-tensioners on side seats <small>(compatible with CD autochanger)</small>	●	●	●
Travel-Box, front folding armrest with cooled storage space	●	●	●
Two Isofix child seat fittings	●	●	●
Umbrella holder, with full size umbrella in the left rear door	-	●	●
Warning triangle in the boot lid	●	●	●
Upholstery trim Picabo cloth (Indigo/Onyx or Onyx)	●	-	-
Upholstery trim Contour velour (Onyx and Ivory)	-	●	-
Upholstery trim Dignity fabric cloth/leather (Onyx and Ivory)	-	-	●
Upholstery Victoria fine nappa full leather seats (Onyx and Ivory) (inc. heated front and rear seats on Comfort)	-	○ <sup>2</sup>	●
Nicro décor (door panels, centre console)	-	●	-
Vavona wood décor (door panels, centre console, gear lever handle)	-	-	●

Specification guide:

- Equipment fitted as standard on vehicle.
- Equipment available at extra cost.
- Not available.

## Colour choice



Candy White 9P9P



Corrida Red 8T8T



Virtual Blue U5U5



Dark Blue metallic D7D7



Black Magic pearl effect 1Z1Z



Sensual Red metallic G8G8



Nature Green metallic 3Y3Y



Canadian Green metallic R9R9



Titan Grey metallic W6W6



Mystery Blue metallic M5M5



Diamond Silver metallic 1B1B



Sahara Beige metallic Q2Q2



Nightfire Blue metallic P9P9

There's a choice of 13 elegant colours to choose from, all of which have been produced in one of Europe's most modern paintwork plants, where the emphasis is not only on a perfect finish, but also on a clean environment.

The purpose of our paintwork is, of course, first and foremost to ensure you enjoy your Superb for many years to come. But, as in all stages of production, we also seek to reduce the use of harmful substances. For instance, we only use water-soluble paints and we do not use chromic salts when painting. Furthermore, all our colour pigments are free from heavy metals. That means the paint not only protects against the environment around you, it damages it as little as possible too.

All models are available in all exterior colours.

Because of errors which may occur in the print, the colours illustrated here may differ from the actual finishes themselves. Your Škoda retailer will be pleased to advise you.

Car shown is Superb Elegance.

## Trim choice

The Classic, Comfort and Elegance models each have a distinctive high quality interior finish.

1,2. Classic standard seat covers: Picabo interior trim. Fabric seat covers in Onyx/Indigo or an Onyx/Onyx combination.

3,4. Comfort standard seat covers: Contour interior trim. Exclusive velour seat covers in Onyx or Ivory.

5,6. Elegance standard seat covers: Dignity interior trim. Fabric/leather seat covers in Onyx or Ivory.

7,8. Optional seat covers: Victoria interior trim. Fine nappa full leather seat covers in Ivory or Onyx.

9. Optional alloy wheel 'Orbit' 7J x 16 (Classic).

10. Optional alloy wheel 'Solid' 7J x 17 (Classic, Comfort & Elegance).



9



10

All interiors (relevant to trim level) are available with all exterior colours.

Electric seats shown are only available in Elegance.

## Technical specifications

Engine	2.0 115bhp petrol, OHC, longitudinally in front	1.8 T 150bhp turbocharged petrol, DOHC, longitudinally in front	1.8T 20V 150bhp (A) turbocharged petrol, DOHC, longitudinally in front, in line liquid cooling system	2.8 V6 30V 193bhp petrol, DOHC, longitudinally in front	2.8 V6 30V 193bhp (A) petrol, DOHC, longitudinally in front
Version	Classic	Classic, Comfort	Classic, Comfort	Elegance	Elegance
Cylinders	4	4		6	6
Cubic capacity (cc)	1984	1781	1781	2771	2771
Stroke/cylinder bore (mm)	82.5 x 92.8	81.0 x 86.4	81.0 x 86.4	82.5 x 86.4	82.5 x 86.4
Compression ratio	10.3:1	9.3:1	9.3:1	10.6:1	10.6:1
Air pollution regulation	EUIV	EUIV	EUIV	EUIV	EUIV
Fuel	unleaded petrol min. RON 95 (91)***	unleaded petrol min. RON 95 (91)***		unleaded petrol min. RON 98 (95)***	unleaded petrol min. RON 98 (95)***

### Weights

Kerb Weight*(kg)	1412-1514	1438-1540	1594	1501-1603	1551-1653
Payload*(kg)	475-577	577	475	475-577	483-585
Total weight*(kg)	1989	2015	2069	2078	2136
Max roof load (max.kg)	100	100	100	100	100
Towing unbraked (max.kg)	650	650	650	750	750
Towing braked (max.kg)	1400	1300	1300	1600	1600
Nose weight (max.kg)	75	75	75	75	75

### Performance

Max speed (mp/h)	122	134	131	147	144
Acceleration 0 – 62 mp/h (s)	11.6	9.5	10.9	8.0	9.4
Max. engine performance/revs (hp/rev/min)	115/5400	150/5700	150/5700	193/6000	193/6000
Max. torque/revs (Nm/rev/min)	172/3500	210/1750	210/1750	280/3200	280/3200

### Fuel consumption

– urban mp/g (l/100 km)	23.3 (12.1)	24.6 (11.5)	20.8 (13.6)	20.0 (14.1)	18.1 (15.6)
– extra-urban mp/g (l/100 km)	42.8 (6.6)	43.5 (6.5)	39.2 (7.2)	39.2 (7.2)	38.2 (7.4)
– combined mp/g (l/100 km)	32.8 (8.6)	34.0 (8.3)	29.4 (9.6)	29.1 (9.7)	27.2 (10.4)
CO <sub>2</sub> emissions (g/km)**(combined)	206	199	233	233	250
Turning circle diameter (m)	11.8	11.8		11.8	11.8

### Transmission

Type	Front wheel drive	Front wheel drive	Front wheel drive	Front wheel drive	Front wheel drive
Clutch	hydraulic single dry clutch disc	hydraulic single dry clutch disc	hydrodynamic converter	hydraulic single dry clutch disc	hydrodynamic converter
Gearbox	manual 5-speed fully synchronised	manual 5-speed fully synchronised	5-speed automatic transmission Tiptronic	manual 5-speed fully synchronised	5-speed automatic transmission Tiptronic

### Body

Body	5-seater, triple-space steel bodywork, 4-door, steel, fully galvanized (body)	5-seater, triple-space steel bodywork, 4-door, steel, fully galvanized (body)		5-seater, triple-space steel bodywork, 4-door, steel, fully galvanized (body)	
------	---	---	--	---	--

### Liquids

Tank capacity (l)		62		62	
-------------------	--	----	--	----	--

Airdrag coefficient Cw	0.3	0.3		0.3	0.3
------------------------	-----	-----	--	-----	-----

### Insurance group

ABI Insurance Group	8E	11E		15A	15A
---------------------	----	-----	--	-----	-----

### Chassis

Front axle	multi-link with four transverse control arms and torsion stabiliser	multi-link with four transverse control arms and torsion stabiliser		multi-link with four transverse control arms and torsion stabiliser	
Rear axle	compound link crank-axle with torsion stabiliser	compound link crank-axle with torsion stabiliser		compound link crank-axle with torsion stabiliser	
Braking system	hydraulic dual circuit braking system with diagonal interconnection,vacuum assisted	hydraulic dual circuit braking system with diagonal interconnection,vacuum assisted		hydraulic dual circuit braking system with diagonal interconnection,vacuum assisted	
Brake front	disc brakes, with hollow brake wheels and single/piston floating calliper	disc brakes, with hollow brake wheels and single/piston floating calliper		disc brakes, with hollow brake wheels and single/piston floating calliper	
Brake rear	disc brakes	disc brakes		disc brakes	
Steering system	direct rack and pinion steering power assisted	direct rack and pinion steering power assisted		direct rack and pinion steering power assisted	
Wheels	Classic, Comfort: 7J x 16"; Elegance: 7 J x 17"			Classic, Comfort: 7 J x 16"; Elegance: 7 J x 17"	
Tyres	Classic, Comfort: 205/55 R 16 91 W; Elegance: 225/45 R 17 91 Y			Classic, Comfort: 205/55 R 16 91 W; Elegance: 225/45 R 17 91 Y	

\*Figures apply to base model \*\*Consumption applies to base model \*\*\*Using low-octane fuel may affect engine performance

The Superb's comprehensive range of petrol and diesel engines optimise power, performance and economy while providing choice to suit your individual driving style.

Petrol engines: There are three petrol engines to choose from, each complies with the EUIV emission control directive.

1.9 TDI PD 100bhp diesel, OHC, diesel turbocharger with self-aligning VTG blades, high-pressure direct injection system – pump nozzle, longitudinally in front	1.9 TDI PD 130bhp diesel, OHC, diesel, turbocharger with self-aligning VTG blades, high-pressure direct injection system – pump nozzle, longitudinally in front	1.9 TDi PD 130bhp (A) turbocharged diesel, OHC, with self-aligning VTG blades high pressure direct injection system pump nozzle, longitudinally in front	2.5 V6 TDI 160bhp turbocharged diesel, direct injection, DOHC, longitudinally in front, liquid cooling system	2.5 V6 TDI 160bhp (A) turbocharged diesel, direct injection, DOHC, longitudinally in front, liquid cooling system
Classic	Classic, Comfort, Elegance	Classic, Comfort, Elegance	Comfort	Elegance
4	4		6	6
1896	1896	1896	2496	2496
79.5 x 95.5	79.5 x 95.5	79.5 x 95.5	78.3 x 86.4	78.3 x 86.4
19.0:1	19.0:1	19.0:1	18.5:1	18.5:1
EUIII	EUIII	EUIII	EUIV	EUIV
diesel	diesel		diesel	diesel

1458-1560	1465-1567	1623	1672	1706
483-585	483-585	483	483	483
2043	2050	2106	2155	2189
100	100	100	100	100
650	650	650	750	750
1400	1600	1600	1600	1600
75	75	75	75	75

117	127	125	139	135
13.2	10.4	11.7	9.2	10.3
100/4000	130/4000	130/4000	160/4000	160/4000
250/1750	285/1750	310/1900	350/1250	195/1250

39.2 (7.2)	36.2 (7.8)	28.0 (10.1)	28.2 (10.0)	24.4 (11.6)
60.1 (4.7)	60.1 (4.7)	50.4 (5.6)	51.4 (5.5)	48.7 (5.8)
50.4 (5.6)	48.7 (5.8)	39.2 (7.2)	39.8 (7.1)	35.8 (7.9)
151	154	194	192	213
11.8	11.8		11.8	11.8

Front wheel drive	Front wheel drive	Front wheel drive	Front wheel drive	Front wheel drive
hydraulic single dry clutch disc	hydraulic single dry clutch disc	hydrodynamic converter	hydraulic single dry clutch disc	hydrodynamic converter
manual 5-speed fully synchronised	manual 5-speed fully synchronised	5-speed automatic transmission Tiptronic	manual 6-speed fully synchronised	5-speed automatic transmission Tiptronic

5-seater, triple-space steel bodywork, 4-door, steel, fully galvanized (body)	5-seater, triple-space steel bodywork, 4-door, steel, fully galvanized (body)		5-seater, triple-space steel bodywork, 4-door, steel, fully galvanized (body)	
---	---	--	---	--

62	62		62	
----	----	--	----	--

0.29	0.29	0.29	0.29	0.3
------	------	------	------	-----

10P	10E Elegance 11E	13E	13E
-----	------------------	-----	-----

multi-link with four transverse control arms and torsion stabiliser compound link crank-axle with torsion stabiliser	multi-link with four transverse control arms and torsion stabiliser compound link crank-axle with torsion stabiliser	multi-link with four transverse control arms and torsion stabiliser compound link crank-axle with torsion stabiliser	multi-link with four transverse control arms and torsion stabiliser compound link crank-axle with torsion stabiliser
hydraulic dual circuit braking system with diagonal interconnection, vacuum assisted	hydraulic dual circuit braking system with diagonal interconnection, vacuum assisted	hydraulic dual circuit braking system with diagonal interconnection, vacuum assisted	hydraulic dual circuit braking system with diagonal interconnection, vacuum assisted
disc brakes, with hollow brake wheels and single/piston floating calliper	disc brakes, with hollow brake wheels and single/piston floating calliper	disc brakes, with hollow brake wheels and single/piston floating calliper	disc brakes, with hollow brake wheels and single/piston floating calliper
disc brakes	disc brakes	disc brakes	disc brakes
direct rack and pinion steering power assisted	direct rack and pinion steering power assisted	direct rack and pinion steering power assisted	direct rack and pinion steering power assisted
Classic, Comfort: 7 J x 16"; Elegance: 7 J x 17"	Classic, Comfort: 7 J x 16"; Elegance: 7 J x 17"	Comfort 7 J x 16", Elegance: 7 J x 17"	Comfort 7 J x 16", Elegance: 7 J x 17"
Classic, Comfort: 205/55 R 16 91 W; Elegance: 225/45 R 17 91 Y	Classic, Comfort: 205/55 R 16 91 W; Elegance: 225/45 R 17 91 Y	Comfort 205/55 R 16 91 W, Elegance: 225/45 R 17 91 Y	Comfort 205/55 R 16 91 W, Elegance: 225/45 R 17 91 Y

Diesel engines: You have a choice of three state of the art diesel engines. In these the fuel is injected into the combustion chamber under high pressure which results in the combustion chamber being optimally filled, the engine developing more torque at low revs and less fuel being used. These engines comply with the EUIII emission control directive.

Transmission: Depending on the engine, the Superb is fitted as standard with either a five or six speed manual transmission. As an option, an adaptive Tiptronic automatic transmission is available for the V6 engines (Elegance only). This intelligent five-speed automatic system electronically adapts to both your driving style and the prevailing road conditions and can, if required, be switched to manual transmission without clutch pedal.



# Measurements

## Škoda Superb

### Exterior dimensions

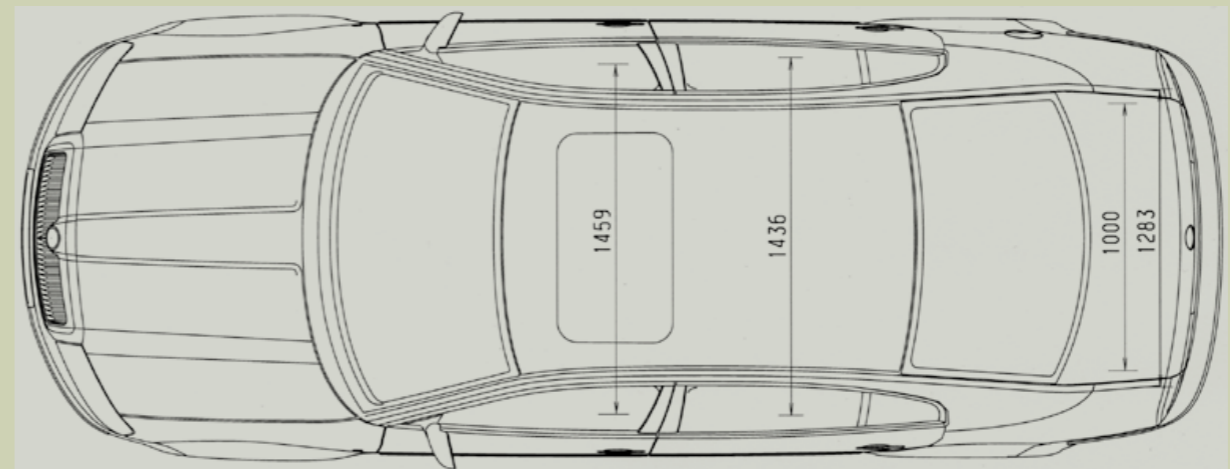
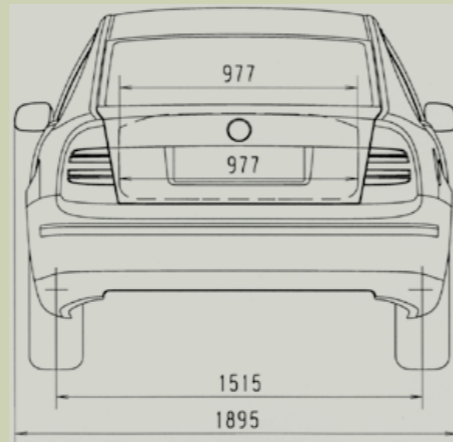
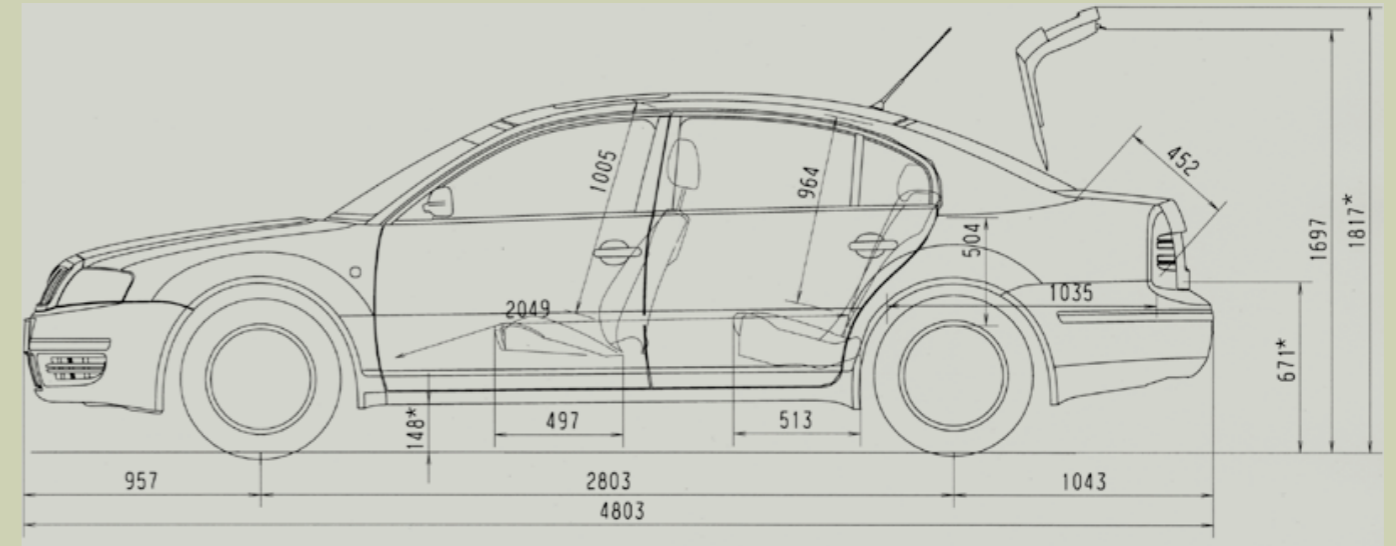
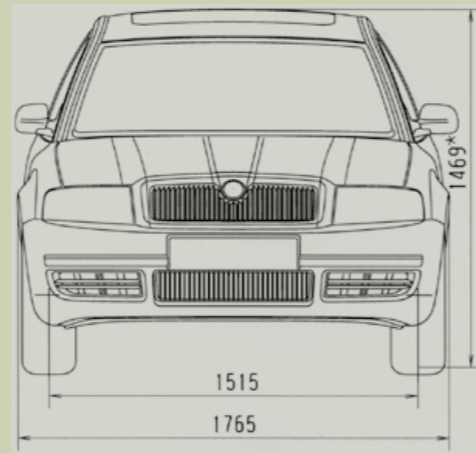
Length (mm)	4803
Width (mm)	1765
Height (mm)	1469*
Wheelbase (mm)	2803
Track front (mm)	1515
Track rear (mm)	1515
Clearance (mm)	148*

### Interior dimensions

Elbow room front/rear (mm)	1459/1436
Comfort measure front (max./min.) (mm)	1132/903
Comfort measure rear (max./min.) (mm)	1006/757
Seat height front/rear (mm)	1005/964
Boot capacity (l)	462

Figures are for vehicle carrying average load and three passengers.

\* Figures for unloaded vehicle



## Technical glossary

**ABS:** the Anti-Lock Braking System prevents the wheels from locking during heavy or emergency braking, enabling the vehicle to remain steerable. When braking, wheel speed sensors measure the road wheel speed and should one or more wheels start to lock the system reduces brake pressure to that wheel.

**MSR:** the engine torque control system recognises when the wheels are subject to too much slippage and regulates the power supply by intervening in the engine management system. This prevents wheelspin when, for example, changing down on a smooth or wet road surface. MSR is a constituent part of the ASR system.

**EDL:** the Electronic Differential Lock continually compares the rpm of the drive wheels, and if it identifies a difference between them which could lead to an individual wheel spinning, for example if the two wheels are on different types of surface or accelerating on wet leaves, the system brakes the wheel affected until uniform rpm of all drive wheels is restored.

**ASR:** Anti-Slip Regulation (traction control) ensures the Superb's stability when pulling away or accelerating. If the engine power or torque being transmitted to the drive wheels is too great, for example, on a slippery road surface, engine torque is automatically reduced until optimum road-holding returns, thus preventing wheelspin. A light indicates whether the ASR system is on. It can be manually switched off.

**ESP:** Electronic Stability Programme. ESP is designed to stabilise the dynamic handling response of the vehicle by counteracting any tendency towards oversteer or understeer. The ESP constantly compares the actual movement of the vehicle with predetermined values and according to the situation, ESP reacts by braking each wheel individually (according to direction of slip) and automatically adjusting the engine's output.

**Fuel cut-out:** should one or more of the airbags inflate after an accident, this system automatically cuts out the fuel supply, thus preventing subsequent leakage of the diesel or petrol.

**Pump Injector Technology:** the 100 and 130 bhp 1.9 TDI's run on the accelerator pump principle. This involves the high-pressure injection of the diesel fuel into the cylinder head via a pump fitted into the cylinder head itself. This ensures optimum filling of the combustion chamber, which means that the engine can achieve a high torque at low rpm, and is therefore particularly economical to run.

**Trip Computer:** the trip computer not only features an impressive range of data displays, operating it is simplicity itself. A multifunction touch key enables you to call up all relevant data on the easy-to-read Maxi-Dot display. Features include external temperature, time, current fuel consumption, average fuel consumption, miles driven and average speed.

**Xenon lamps:** the Xenon lamps produce about 2.5 times the light of standard Halogen lamps with 35% less energy consumption.

**Service Interval Extension:** increases the interval between services and oil changes, depending on the driving style and conditions, up to two years or 18,000 miles for petrol engines or 30,000 miles for diesel engines. Please discuss this option with your retailer who will be pleased to advise you.

**RDS:** Radio Data System. The radio receiver uses additional data sent by the station to display the name of the station you are listening to (PI) and given poor reception it will re-tune the selected station to an alternative frequency (AF) if available. The system can also provide local traffic reports (TP, TA), interrupting the current station, CD or cassette if required.

**EON:** Enhanced information concerning Other Networks. Ensures that all traffic announcements within a TP area are put through.

## Customer satisfaction

### Helpful and dependable

Your Škoda retailer will care for and cherish your new Superb as much as you do. Which is why in recent surveys, Škoda retailers have come out top in Europe for customer care. It's not just that they service and maintain your Superb to the highest standards, not just that their technicians are specially trained in all aspects of Škoda cars, or that most spares are carried in stock or delivered within 24 hours. It's more that they believe in old fashioned service. You're not just a number to them but a valued customer. Which is why they are more than willing to listen and help with any enquiries or problems you may have.

### 3 year / 60,000 Mile Warranty

ŠkodaAuto are pleased to provide a two year unlimited mileage warranty. In addition, ŠkodaAuto UK provides a further warranty on new vehicles supplied by them through their appointed retailer network which is valid until the vehicle has completed 60,000 miles or the end of the third year, whichever is the sooner. We also provide a 10 year anti-perforation warranty and a 3 year paint warranty. This warranty cover is subject to the car being serviced and maintained at an authorised Škoda retailer according to the manufacturer's recommendations. Ask your Škoda retailer for full details of this warranty.

### Inclusive AA cover for 3 years

Accessed through a dedicated Freephone number, this free back-up service covers your Superb for Roadside Assistance, Home Start, Relay and Relay Plus, and includes European cover.

### Škoda Security

In addition to being fitted with an engine immobiliser, your Superb will be included in the International Security Register (ISR). This is a free 24 hour owner and mileage checking service available to the police and public. A single phone call can confirm if the person with the vehicle is the owner, deterring thieves. The ISR is registered under the Data Protection Act.

These 3 offers are only available to Škodas imported by ŠkodaAuto UK and purchased from official ŠkodaAuto UK retailers.

### Around 180 retailers in the UK

So there's bound to be one near you. Which means faster service, help and advice when you need it.

### Exclusive Insurance Package

Attractive insurance rates are available to all Škoda owners from Škoda Insurance. Call the Quotations Hotline on: 0845 602 6028.

### Attractive Finance

Škoda Finance will tailor a financial package to suit your monthly budget. Simply ask your retailer which is the best deal for you. Credit is subject to status, written details on request. Škoda Finance is a trading branch of Volkswagen Financial Services Ltd.

### Škoda Solutions

Gives you flexibility and peace of mind. Right from the start you'll know the monthly cost, the initial deposit and even the final payment (Guaranteed Minimum Value). Subject to status, written details on request.

### Škoda Customer Services number

08457 745 745.

Calls may be monitored and/or recorded.