



...small
on
price

Škoda Fabia Classic

Hatchback	CO ₂ (g/km)	Maximum VED Band**	Insurance Group	Recommended Basic	VAT	RRP	Recommended 2006 OTR	Saving (inc. A/C)††	Current Offer OTR*†
1.2 HTP 54bhp	144	C	1E	€6,005.96	€1,051.04	€7,057.00	€7,570.00	€1,130.00	€6,990.00
1.2 HTP 12V 64bhp	144	C	2E	€6,563.40	€1,148.60	€7,712.00	€8,225.00	€1,000.00	€7,775.00
1.4 16V 75bhp (Auto) ■	180	E	3E	€8,193.19	€1,433.81	€9,627.00	€10,190.00	€1,000.00	€9,740.00
1.4 TDI PD 70bhp	130	C	3E	€7,703.83	€1,348.17	€9,052.00	€9,575.00	€1,000.00	€9,125.00
1.4 TDI PD 80bhp ■	127	C	4E	€8,057.02	€1,409.98	€9,467.00	€9,990.00	€1,000.00	€9,540.00

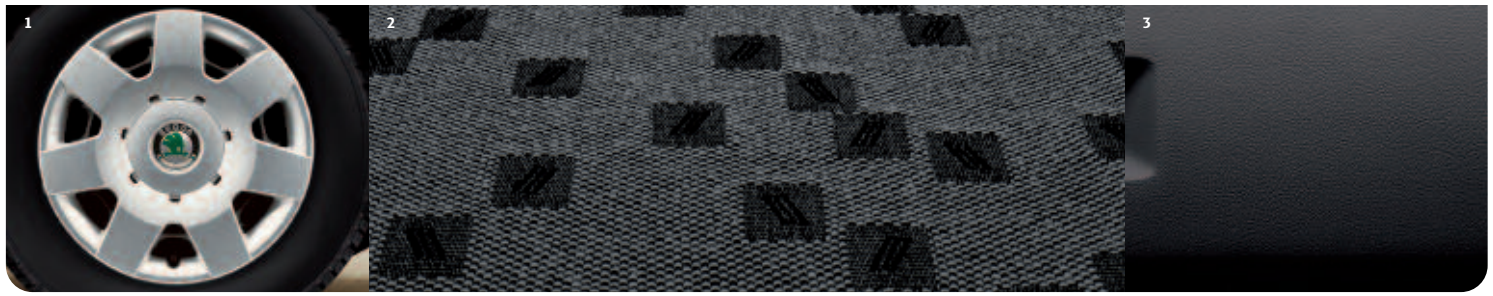
RRP (Recommended Retail Price)
 * Recommended 'On the Road' prices include delivery, 12 months Road Fund Licence, DVLA First registration Fee (at €38), petrol/diesel, and apply to the United Kingdom only.
 ** All vehicles will be subject to vehicle excise duty based on the fuel type of the vehicle and its carbon dioxide (CO₂) emissions level, measured in grams per kilometre (g/km). The weight of a vehicle will influence the level of CO₂ emitted. As a result, vehicles with higher levels of specification may emit higher levels of CO₂. Once a car has been built it will be given its own specific CO₂ emission on which the Vehicle Excise Duty will be charged. The VED bands are shown in the table on the opposite page.
 † At participating retailers only.
 †† Includes Air conditioning including cooled glovebox and drinks compartment, offer option value €550.
 ■ Stock vehicles only, please speak to your local Škoda Retailer for details. Saloon no longer available to factory order, stock vehicles only.

Standard Equipment

Central locking***	Asymmetric folding rear seat	Cup holders
Special Offer Air Conditioning including cooled glovebox and drinks compartment	Rear wash/wipe facility	Height adjustable front and rear head restraints
ABS (Anti-lock Braking System)	Side impact protection	Height adjustable front seatbelts
14" steel wheels with Duron large area wheel caps (5.0J x 14" 165/70 R14 tyres)	Škoda "202" Radio/ cassette player with 4 front speakers (1.2 54Bhp only)	Immobiliser
Symphony radio/single CD Player with 4 front speakers (excl 1.2 54bhp)	Third rear three-point seat belt	Lashing eyelets in the boot
Height and reach adjustable steering wheel	Body coloured bumpers	Lights on warning buzzer
Height adjustable driver seat	Child safety locks	Parcel shelf
Driver and passenger front airbag	High level third brake light	Rev counter
Power steering	Rear mounted roof aerial	Digital clock
	Visible VIN	

***Standard on Model Year 07 vehicles (build week 22 - 29th May 2006) excluding 1.2 54bhp.

- 1 14" steel wheels with Duron large area wheel caps (5.0J x 14" 165/70 R14 tyres)
- 2 Fresh Onyx interior
- 3 Onyx/Onyx dashboard



Škoda Fabia Bohemia Estate

Estate	CO ₂ (g/km)	Maximum VED Band**	Insurance Group	Recommended Basic	VAT	RRP	2006 Recommended OTR*
1.4 16V 75bhp	156	D	3E	€8,308.09	€1,453.91	€9,762.00	€10,300.00
1.4 TDI PD 75bhp ■	124	C	4E	€8,835.74	€1,546.26	€10,382.00	€10,905.00
1.4 TDI PD 80bhp	127	C	4E	€8,959.15	€1,567.85	€10,527.00	€11,050.00

RRP (Recommended Retail Price)
 * Recommended 'On the Road' prices include delivery, 12 months Road Fund Licence, DVLA First registration Fee (at €38), petrol/diesel, and apply to the United Kingdom only.
 ** All vehicles will be subject to vehicle excise duty based on the fuel type of the vehicle and its carbon dioxide (CO₂) emissions level, measured in grams per kilometre (g/km). The weight of a vehicle will influence the level of CO₂ emitted. As a result, vehicles with higher levels of specification may emit higher levels of CO₂. Once a car has been built it will be given its own specific CO₂ emission on which the Vehicle Excise Duty will be charged. The VED bands are shown in the table below.
 †† Includes Air conditioning including cooled glovebox and drinks compartment, offer option value €550.
 ■ Stock vehicles only, please speak to your local Škoda Retailer for details

Standard Equipment (over Classic)

- 15" Band Alloys (6.0J x 15" 195/50 R15 tyres)
- Roof rails
- Sunset privacy glass from B Pillar
- Comfort seats
- Net programme
- Small leather pack (steering wheel, gearknob and gaiter)
- Front fog lights
- Plus pack (electric front windows & remote central locking)

Band	CO ₂ Emission figure (g/km)	Petrol	Diesel
A	100 and under	€0	€0
B	101 -120	€40	€50
C	121 - 150	€100	€110
D	151 - 165	€125	€135
E	166 - 185	€150	€160
F	186 - 225	€190	€195
G	226 +	€210	€215

Please confirm figures with your Škoda Retailer
 Edition: UK May 2006. VAT is calculated at 17.5%.
 For fuel consumption data, please refer to page 15.

- 4 15" Band Alloys
- 5 Comfort seats
- 6 Roof rails
- 7 Onyx/Onyx dashboard



Škoda Fabia Ambiente

Hatchback	CO ₂ (g/km)	Maximum VED Band**	Insurance Group	Recommended Basic	VAT	RRP	Recommended 2006 OTR	Saving (inc. A/C)**	Current Offer OTR*†
1.2 HTP 12V 64bhp	144	C	3E	€6,997.45	€1,224.55	€8,222.00	€8,735.00	€1,000.00	€8,285.00
1.4 16V 75bhp (Auto)	180	E	3E	€8,627.23	€1,509.77	€10,137.00	€10,700.00	€1,000.00	€10,250.00
1.4 16V 100bhp	161	D	5E	€8,035.74	€1,406.26	€9,442.00	€9,980.00	€1,000.00	€9,530.00
1.4 TDI PD 70bhp ■	130	C	3E	€8,137.87	€1,424.13	€9,562.00	€10,085.00	€1,000.00	€9,635.00
1.4 TDI PD 80bhp	127	C	4E	€8,491.06	€1,485.94	€9,977.00	€10,500.00	€1,000.00	€10,050.00
1.9 TDI PD 100bhp	135	C	5E	€9,022.98	€1,579.02	€10,602.00	€11,125.00	€1,000.00	€10,675.00

Estate	CO ₂ (g/km)	Maximum VED Band**	Insurance Group	Recommended Basic	VAT	RRP	Recommended 2006 OTR	Saving (inc. A/C)**	Current Offer OTR*†
1.2 HTP 12V 64bhp	144	C	3E	€7,593.19	€1,328.81	€8,922.00	€9,435.00	€1,000.00	€8,985.00
1.4 16V 75bhp (Auto)	182	E	3E	€9,222.98	€1,614.02	€10,837.00	€11,400.00	€1,000.00	€10,950.00
1.4 16V 100bhp	161	D	5E	€8,631.49	€1,510.51	€10,142.00	€10,680.00	€1,000.00	€10,230.00
1.4 TDI PD 70bhp ■	130	C	3E	€8,733.62	€1,528.38	€10,262.00	€10,785.00	€1,000.00	€10,335.00
1.4 TDI PD 80bhp	127	C	4E	€9,086.81	€1,590.19	€10,677.00	€11,200.00	€1,000.00	€10,750.00
1.9 TDI PD 100bhp	135	C	5E	€9,618.72	€1,683.28	€11,302.00	€11,825.00	€1,000.00	€11,375.00

RRP (Recommended Retail Price)

* Recommended 'On the Road' prices include delivery, 12 months Road Fund Licence, DVLA First registration Fee (at €38), petrol/diesel, and apply to the United Kingdom only.

** All vehicles will be subject to vehicle excise duty based on the fuel type of the vehicle and its carbon dioxide (CO₂) emissions level, measured in grams per kilometre (g/km). The weight of a vehicle will influence the level of CO₂ emitted. As a result, vehicles with higher levels of specification may emit higher levels of CO₂. Once a car has been built it will be given its own specific CO₂ emission on which the Vehicle Excise Duty will be charged. The VED bands are shown in the table on the opposite page.

† At participating retailers only.

†† Includes Air conditioning including cooled glovebox and drinks compartment, offer option value €550.

■ Stock vehicles only, please speak to your local Škoda Retailer for details

Standard Equipment (over Classic)

ABS with additional EDL+ASR (standard on 1.4 16V & 1.9 TDI 100) (Optional on all other Ambiente models)
14" steel wheels with Tucanus large area wheel caps (6.0J x 14" 185/60 R14 tyres)
Body coloured door mirrors
Body coloured door handles***
Releasing petrol cover flap

Electrically adjustable and heated door mirrors
Electrically operated front windows with one touch operation
Tinted glass
Adjustable dashboard illumination
Central locking with remote control
Deadlocks

Delayed courtesy light
Front reading light
Seat mounted storage pocket
Symphony radio/single CD Player with 8 speakers
Trip computer
Front Fog Lights
Chrome pack (chrome gearknob and doorlocks)***

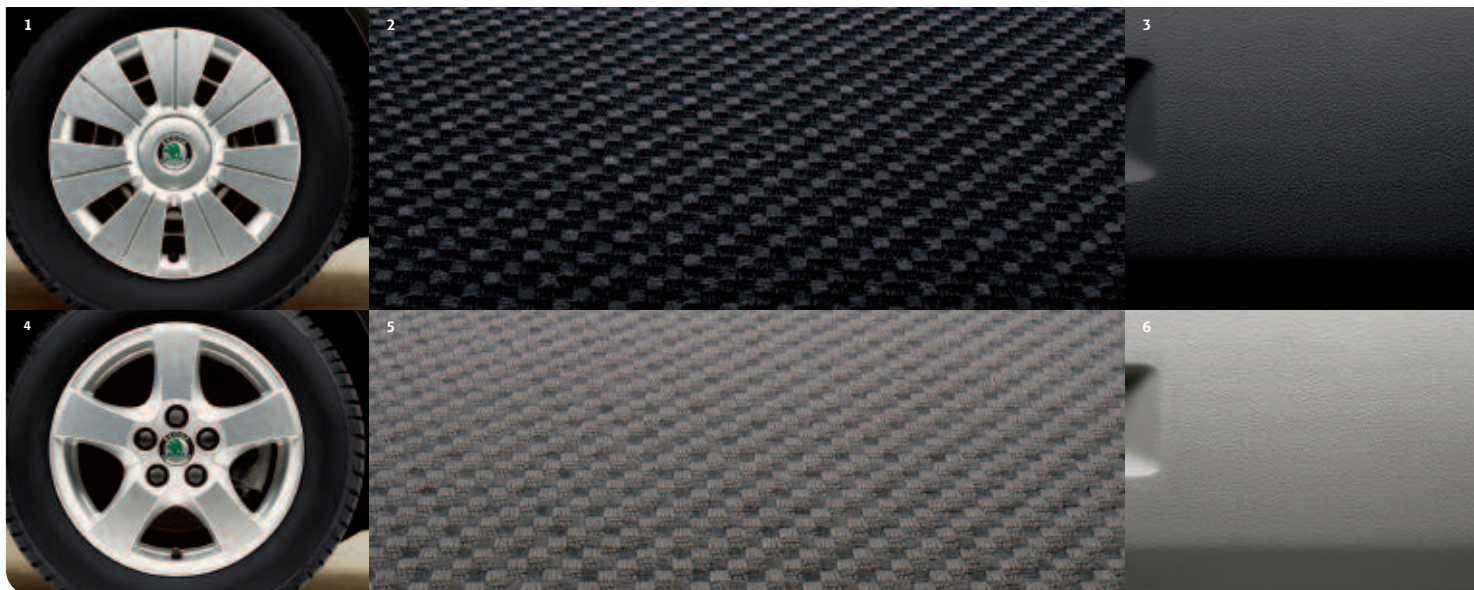
***Standard on Model Year 07 vehicles (build week 22 - 29th May 2006)

1 14" steel wheels with Tucanus large area wheel caps (6.0J x 14" 185/60 R14 tyres)

4 Optional 14" Sprint alloy wheels (6.0J x 14" 185/60 R14 tyres)

2 Frome Onyx interior
5 Frome Agate interior

3 Onyx/Onyx dashboard
6 Onyx Agate dashboard



Škoda Fabia Elegance

Hatchback	CO ₂ (g/km)	Maximum VED Band**	Insurance Group	Recommended Basic	VAT	RRP	Recommended 2006 OTR	Saving (inc. Pack)**	Current Offer OTR*†
1.4 16V 75bhp (Auto) ■	180	E	4E	€9,282.55	€1,624.45	€10,907.00	€11,470.00	€1,000.00	€10,945.00
1.4 16V 100bhp	161	D	5E	€8,691.06	€1,520.94	€10,212.00	€10,750.00	€1,000.00	€10,225.00
2.0 MPI 115bhp ■	185	E	7E	€9,584.68	€1,677.32	€11,262.00	€11,825.00	€1,000.00	€11,300.00
1.9 TDI 100bhp	135	C	5E	€9,678.30	€1,693.70	€11,372.00	€11,895.00	€1,000.00	€11,370.00

Estate	CO ₂ (g/km)	Maximum VED Band**	Insurance Group	Recommended Basic	VAT	RRP	Recommended 2006 OTR	Saving (inc. Pack)**	Current Offer OTR*†
1.4 16V 75bhp (Auto) ■	182	E	4E	€9,878.30	€1,728.70	€11,607.00	€12,170.00	€1,000.00	€11,645.00
1.4 16V 100bhp	161	D	5E	€9,286.81	€1,625.19	€10,912.00	€11,450.00	€1,000.00	€10,925.00
2.0 MPI 115bhp ■	187	F	7E	€10,180.43	€1,781.57	€11,962.00	€12,565.00	€1,000.00	€12,040.00
1.9 TDI 100bhp	135	C	5E	€10,274.04	€1,797.96	€12,072.00	€12,595.00	€1,000.00	€12,070.00

RRP (Recommended Retail Price)

* Recommended 'On the Road' prices include delivery, 12 months Road Fund Licence, DVLA First registration Fee (at €38), petrol/diesel, and apply to the United Kingdom only.

** All vehicles will be subject to vehicle excise duty based on the fuel type of the vehicle and its carbon dioxide (CO₂) emissions level, measured in grams per kilometre (g/km). The weight of a vehicle will influence the level of CO₂ emitted. As a result, vehicles with higher levels of specification may emit higher levels of CO₂. Once a car has been built it will be given its own specific CO₂ emission on which the Vehicle Excise Duty will be charged. The VED bands are shown in the table below.

† At participating retailers only.

†† Includes Small leather pack, cruise control and rear parking sensors, option prices €475.

■ Stock vehicles only, please speak to your local Škoda Retailer for details

Standard Equipment (over Ambiente)

ABS with additional EDL + ASR (all models)
Alarm
Acoustic Rear Parking Sensors
Cruise Control
Heated front seats
Roof rails (Estate only)

Rear ashtray
14" 'Sprint' Alloy wheels (6.05 x 14" 185/60 R14 tyres) - full size spare
15" 'Band' Alloy wheels (6.0J x 15" 195/50 R15 tyres) - full size steel spare - standard on 2.0 only.
Small leather pack (steering wheel, gearknob and gaiter)

Band	CO ₂ Emission figure (g/km)	Petrol	Diesel
A	100 and under	€0	€0
B	101 - 120	€40	€50
C	121 - 150	€100	€110
D	151 - 165	€125	€135
E	166 - 185	€150	€160
F	186 - 225	€190	€195
G	226 +	€210	€215

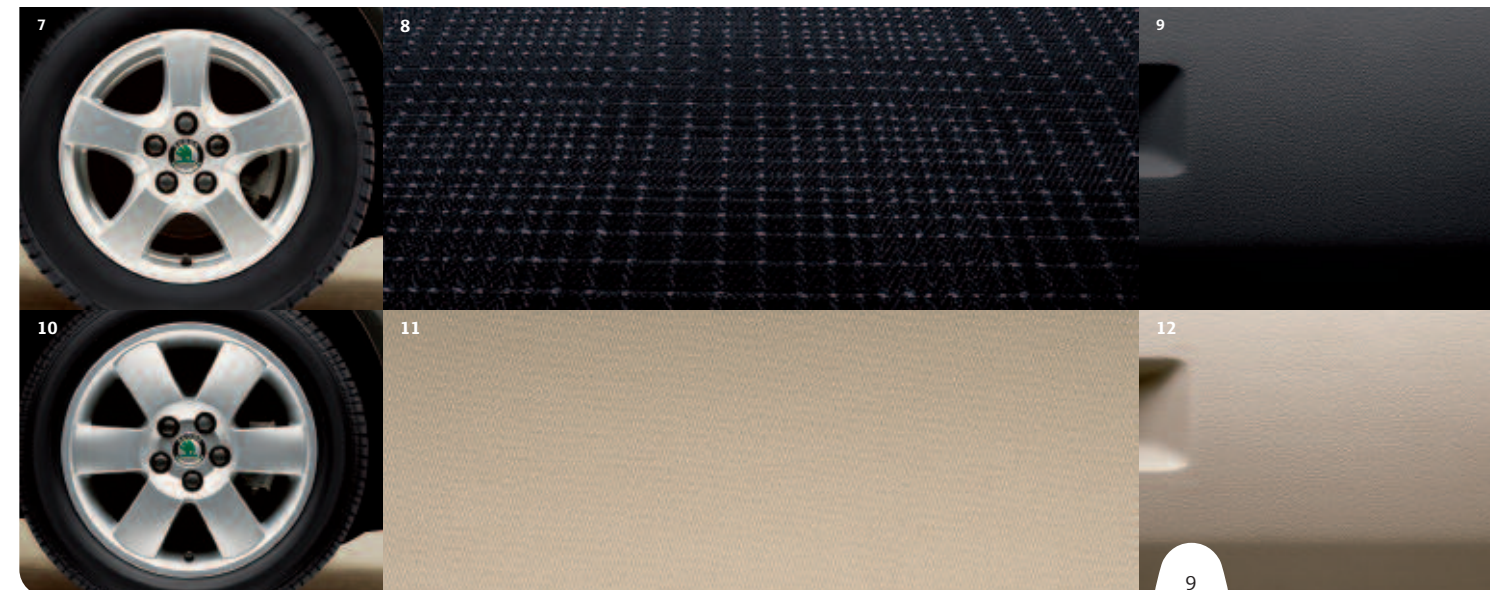
Please confirm figures with your Škoda Retailer
Edition: UK May 2006. VAT is calculated at 17.5%.
For fuel consumption data, please refer to page 15.

7 14" 'Sprint' Alloy wheels 6.0J x 14" 185/60 R14 tyres

10 15" 'Band' Alloy wheels 6.0J x 15" 195x50 tyres

8 Fose Onyx interior
11 Fose Ivory interior

9 Onyx/Onyx dashboard
12 Onyx/Ivory dashboard



Škoda Fabia Sport

Hatchback	CO ₂ (g/km)	Maximum VED Band**	Insurance Group	Recommended Basic	VAT	RRP	2006 Recommended OTR*
1.2 64bhp	144	C	3E	£7,210.21	£1,261.79	£8,472.00	£8,985.00

Standard Equipment (over Classic)

15" Band Alloy wheels 6.0J x 15" 195/50 R15 tyres - full size steel spare
Rear spoiler
Sports seats
Sports steering wheel

Small leather pack (steering wheel, gearknob and gaiter)
Chrome exhaust end piece
CD Autochanger
Front fog lights

Plus Pack (inc electric front windows and remote central locking)
Sunset privacy glass from B pillar back
Body coloured door handles and mirrors
New gearshift
Red seat belts

Škoda Fabia vRS

Hatchback	CO ₂ (g/km)	Maximum VED Band**	Insurance Group	Recommended Basic	VAT	RRP	2006 Recommended OTR*
1.9 TDI PD 130bhp	146	C	9E	£10,086.81	£1,765.19	£11,852.00	£12,375.00

RRP (Recommended Retail Price)

* Recommended 'On the Road' prices include delivery, 12 months Road Fund Licence, DVLA First registration Fee (at £38), petrol/diesel, and apply to the United Kingdom only.

** All vehicles will be subject to vehicle excise duty based on the fuel type of the vehicle and its carbon dioxide (CO₂) emissions level, measured in grams per kilometre (g/km). The weight of a vehicle will influence the level of CO₂ emitted. As a result, vehicles with higher levels of specification may emit higher levels of CO₂. Once a car has been built it will be given its own specific CO₂ emission on which the Vehicle Excise Duty will be charged. The VED bands are shown in the table on the right.

Standard Equipment (over Ambiente)

ABS + ASR + MSR
Alarm

Six-speed transmission
Sports seats with vRS Upholstery

Chrome exhaust piece
16" Alloy wheels 6.5J x 16" 205/45 R16

1 15" "Band" Alloy wheels (standard on Sport)
5 16" Alloy wheels (standard on vRS)

2 Red seat belts
6 vRS sports upholstery

3 New gearshift
7 Leather trimmed sports gearknob and gaiter

4 Sunset privacy glass
8 vRS badging

Band	CO ₂ Emission figure (g/km)	Petrol	Diesel
A	100 and under	£0	£0
B	101 - 120	£40	£50
C	121 - 150	£100	£110
D	151 - 165	£125	£135
E	166 - 185	£150	£160
F	186 - 225	£190	£195
G	226 +	£210	£215

Please confirm figures with your Škoda Retailer
Edition: UK May 2006. VAT is calculated at 17.5%.
For fuel consumption data, please refer to page 15.



Škoda Fabia features and benefits



Air Conditioning - Safety and Comfort

Air conditioning offers great advantages over standard ventilation and the first is keeping your car cool during the summer months. But surprisingly becomes an effective tool in winter, demisting the windows faster than standard ventilation. Other added benefits include increased residual values and desirability.



Height adjustable steering wheel + height adjustable drivers seat

Enables you to get comfortable in your car. This not only helps on a long journey but adds to your safety.



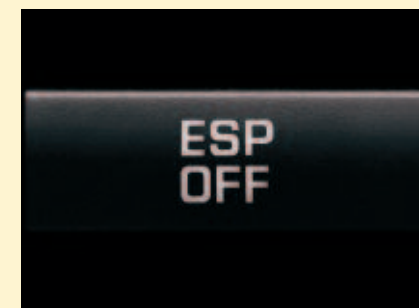
Remote control central locking - safety and assurance

This function enables you to unlock your car whilst you are walking towards your vehicle even with your hands full. Standard on Elegance & vRS only.



ABS - Safety

ABS requires no conscious thought, training or additional maintenance. Drivers simply have to react as they normally would in an emergency - jam on the brakes, but with ABS they retain steering control.



ESP - Safety

This is a completely automatic function, where the driver has the option of switching it on or off. The most remarkable characteristic of ESP is that it ensures the vehicle follows the path desired by you according to the rotation of the steering wheel. This makes some unorthodox driving manoeuvres difficult and near impossible (slides and spins).



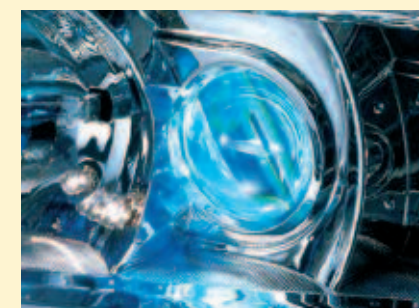
Cruise Control

Provides you with comfort on long journeys by assisting you to maintain safe driving speeds by setting your speed as the circumstances dictate.



Parking Sensors

These will assist you when parking your vehicle by informing you when you are approaching objects or other vehicles through an audible tone. This is always a better solution than bodywork repairs.



Xenon Headlights

Increase brightness up to 2.5 times more than halogen lights whilst using 35% less energy giving you the added benefit of increased visibility at night.

3 year / 60,000 Mile Warranty

ŠkodaAuto are pleased to provide a two year unlimited mileage warranty. In addition, ŠkodaAuto UK provides a further warranty on new vehicles supplied by them through their appointed retailer network which is valid until the vehicle has completed 60,000 miles or the end of the third year, whichever is the sooner (see page 21 for more details).

Inclusive AA cover for 3 years

Accessed through a dedicated Freephone number, this free back-up service covers your Fabia for Roadside Assistance, Relay and Relay Plus, Home Start and includes European cover.



Factory Fitted Optional Equipment

Available on all models	Basic	VAT	RRP
CD Autochanger (exc 1.2 54bhp)	£234.04	£40.96	£275.00
Electric Sunroof	£340.43	£59.57	£400.00
Front passenger airbag de-activation switch	£51.06	£8.94	£60.00
Metallic Paint	£255.32	£44.68	£300.00
Black magic pearl effect paint	£255.32	£44.68	£300.00
Side Airbags	£234.04	£40.96	£275.00
Third rear headrest	£38.30	£6.70	£45.00

Available on Classic models	Basic	VAT	RRP
EDL+ASR (not available on 1.2 54bhp)	£42.55	£7.45	£50.00
14" 'Sprint' Alloy Wheels (6.0J x 14" 185/60 R14 tyres)	£255.32	£44.68	£300.00
Cruise Control (exc 1.2 54bhp)	£106.38	£18.62	£125.00
Central locking	£127.66	£22.34	£150.00
Plus Pack (remote central locking & front electric windows)	£340.43	£59.57	£400.00
Roof Rails (Estate only)	£127.66	£22.34	£150.00

Available on Bohemia models	Basic	VAT	RRP
EDL+ASR	£42.55	£7.45	£50.00
Cruise Control	£106.38	£18.62	£125.00
Acoustic Rear Parking Sensors	£170.21	£29.79	£200.00

Available on Ambiente models	Basic	VAT	RRP
EDL+ASR (standard on 1.4 16V 100bhp, 1.9 TDI 100bhp)	£42.55	£7.45	£50.00
14" 'Sprint' Alloy Wheels (6.0J x 14" 185/60 R14 tyres)	£255.32	£44.68	£300.00
15" 'Band' Alloy wheels (6.0J x 15" 195/50 R15 tyres)	£340.43	£59.57	£400.00
Cruise Control	£106.38	£18.62	£125.00
Acoustic Rear Parking Sensors	£170.21	£29.79	£200.00
Satellite Navigation System (inc. disc)*	£1,531.91	£268.09	£1,800.00
Roof Rails (Estate only)	£127.66	£22.34	£150.00

Available on Sport models	Basic	VAT	RRP
Cruise control	£106.38	£18.62	£125.00
EDL+ASR	£42.55	£7.45	£50.00

Available on Elegance models	Basic	VAT	RRP
15" 'Band' Alloy wheels (6.0J x 15" 195/50 R15 tyres)	£93.62	£16.38	£110.00
16" 'Poli' Alloy wheels (6.5J x 16" 205/45 R16 tyres)	£165.96	£29.04	£195.00
Satellite Navigation System (inc. disc)*	£1,531.91	£268.09	£1,800.00

Available on vRS models	Basic	VAT	RRP
Cruise Control	£106.38	£18.62	£125.00
ESP (Electronic Stability Programme)	£340.43	£59.57	£400.00
Heated front seats	£106.38	£18.62	£125.00
Satellite Navigation System (inc. disc)*	£1,531.91	£268.09	£1,800.00
Xenon headlights (inc. headlight washers)	£425.53	£74.47	£500.00

- 1 Satellite Navigation System
- 2 CD Autochanger
- 3 Roof Rails
- 4 Third rear headrest

* Please note that 6 CD Autochanger must be ordered in conjunction with Satellite Navigation.

Retailer Supplied Accessories

	Part Number	Basic	VAT	RRP
Leather Trim Upgrade for Fabia vRS	ZGB 6Y0 061 625	£1,106.38	£193.62	£1,300.00
Roof Spoiler for Fabia Hatch	FAA 410 001	*	*	*
Stainless steel exhaust pipe end piece				
For petrol engines 1.2 and 1.4	FDC 410 010	£17.10	£2.99	£20.09
For petrol engine 2.0 and diesel engines 1.4 and 1.9	FDC 410 020	£22.98	£4.02	£27.00
Leather steering wheel	FBA 600 000	*	*	*
Leather gearshift handle and sleeve	FFA 400 002	£38.30	£6.70	£45.00
Leather handbrake lever	FFA 400 010	£42.55	£7.45	£50.00
14" Alloy wheel 'Fine'				
For Fabia Classic (for 165/70 R14 tyres)	CCB 409 001	£77.44	£13.56	£91.00
15" Alloy wheel 'Charme'				
(for 195/50 or 185/55 R15 tyres)	CCH 400 004	£87.66	£15.34	£103.00
16" Alloy wheel 'Knife'				
(for 205/45 R16 tyres)	CCA 300 003	£97.87	£17.13	£115.00
Rubber foot mats, four piece set	DCC 400 101	£24.68	£4.32	£29.00
Textile foot mats, four piece set	DCA 400 101	£19.57	£3.42	£22.99
Plastic boot dish for Fabia Hatch	DMA 410 003	£38.30	£6.70	£45.00
Plastic boot dish for Fabia Estate and Saloon	DMA 420 003	£40.43	£7.08	£47.51
Central locking system	BFC 400 101	*	*	*
Remote control for central locking (upgrade)	BKA 400 001A	£63.83	£11.17	£75.00
Roof Rack (for Hatch)	LAT 410 001	£85.00	£14.88	£99.88
Cross Bars (for vehicles with Roof Rails)	LAT 071 024	£85.11	£14.89	£99.99
Lockable luggage box 360l	LBT 009 002	£246.80	£43.19	£289.99
Lockable rack for skis or snowboards	LBT 071 027	£65.53	£11.47	£77.00
Lockable ski box, up to five pairs	LBB 000 001	£59.57	£10.42	£69.99
Lockable bicycle carrier	LBT 009 003	£41.70	£7.30	£49.00
Detachable tow bar, Hatch/ Estate	EEA 400 001A	*	*	*
Fixed Tow Bar, Hatch	EEA 419 001	*	*	*
Fixed Tow Bar, Estate	EEA 429 001	*	*	*
Towing electrics, 7 pin	ZGB 6Y0 055 203A	*	*	*
Towing electrics, 7 pin supplementary	ZGB 000 055 205A	*	*	*
Mudflaps (front)	KEA 400 003B	£12.55	£2.20	£14.75
Mudflaps (rear, Hatch)	KEA 400 013	£10.21	£1.78	£12.00
Mudflaps (rear, Estate)	KEA 420 013	£8.50	£1.49	£9.99
Rear parking sensors	BEA 400 001	*	*	*
Cup/drinks holder	6Y0 862 531 H 47H	*	*	*
Rear window sunblind	DEA 410 001	£36.59	£6.40	£42.99
Continental headlamp converters	ZGB 6Y0 072 101	£28.09	£4.91	£33.00
Spare bulb kit	BDB 400 001 A	£9.50	£1.66	£11.16

- 1 Leather gearshift handle and sleeve
 - 2 Towing electrics
 - 3 Roof spoiler for Fabia hatch
 - 4 Leather trim upgrade
 - 5 Lockable luggage box
 - 6 Basic roof rack
 - 7 Lockable bicycle carrier
- * Please check with your retailer for a fitted price

This is a small selection of Accessories for Fabia. For further information please contact an authorised Škoda retailer who will be happy to assist you.



Measurements

Figures are for vehicle carrying average load and three passengers.
Wheel track depends on wheel size. Figures in square brackets [] are for Fabia vRS.

Škoda Fabia Hatch

Interior dimensions (mm)

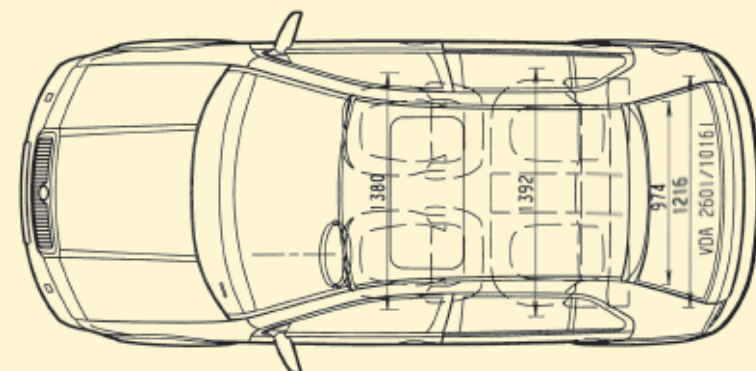
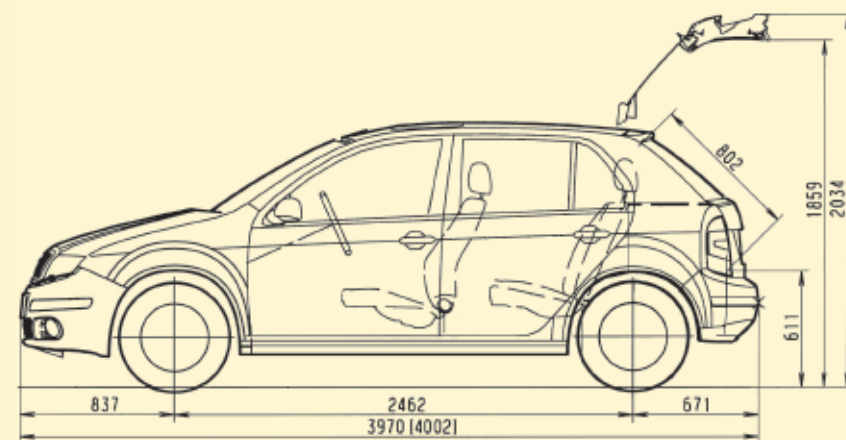
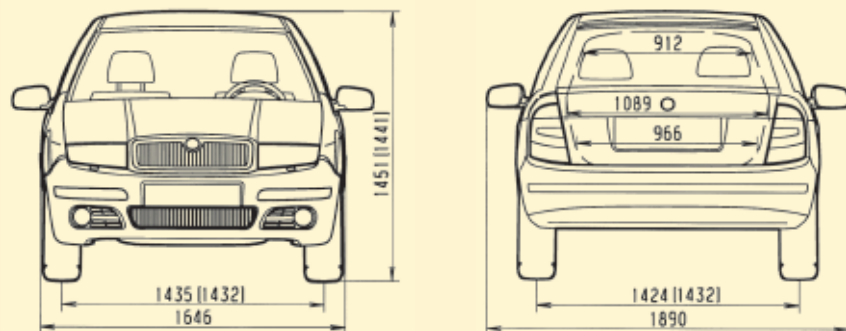
Legroom – front max./min. 1,100/860
Legroom – rear max./min. 846/606

Luggage storage space (litres)

with rear seat upright 260
with rear seat down 1,016

Weight (kg)

Kerb weight* 1,090-1,315
Total weight 1,515-1,720
Payload* 425 [405 vRS]
Max roof load 75
Towing unbraked max 450-500 [n/a vRS]
Towing braked max 800-1,000 [n/a vRS]
Nose weight max 50 [n/a vRS]



Škoda Fabia Estate

Interior dimensions (mm)

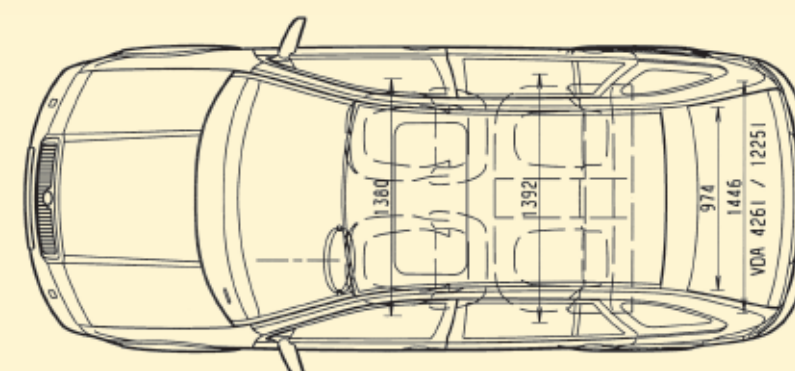
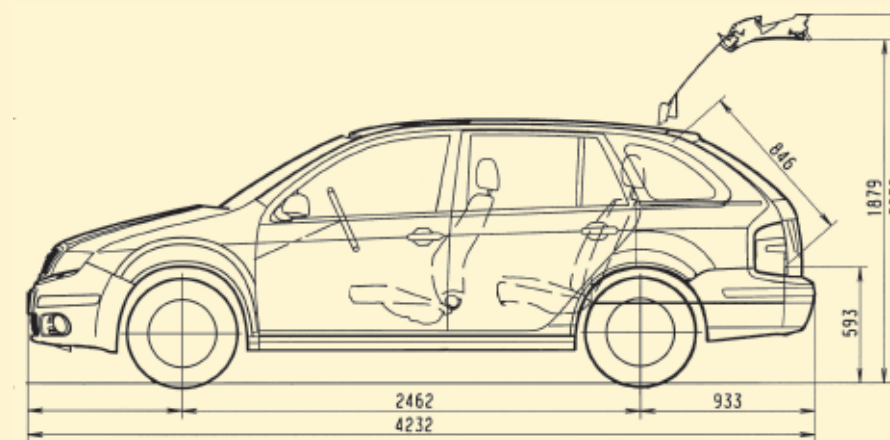
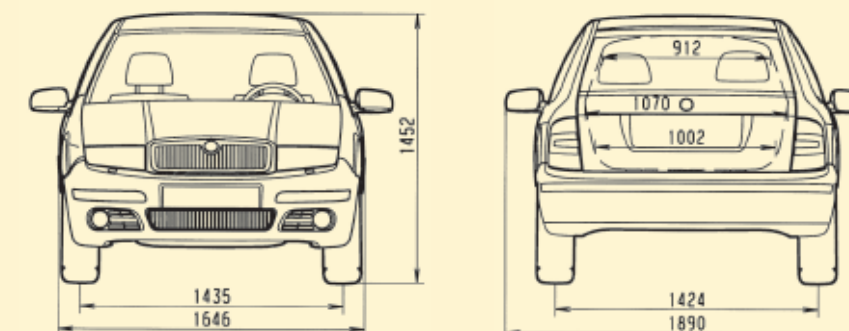
Legroom – front max./min. 1,100/860
Legroom – rear max./min. 846/606

Luggage storage space (litres)

with rear seat upright 426
with rear seat down 1,225

Weight (kg)

Kerb weight* 1,185-1,270
Total weight 1,610-1,695
Payload* 425
Max roof load 75
Towing unbraked max 450-500
Towing braked max 750-1,000
Nose weight max 50



Škoda Fabia colours



Candy White
9P9P (not vRS)

Diamond Silver metallic*
1B1B

Sahara metallic†
Q2Q2 (not vRS)

Stone Grey metallic
F7F7 (not vRS)



Corrida Red*
8T8T

Flamenco Red metallic
2L2L (not vRS)

Dynamic Blue*
6D6D (not vRS)

Deep Sea Dark Blue metallic**
D7D7 (not vRS)



Graphite Grey metallic
U9U9 (not vRS)

Petrol Green***
D9D9 (not vRS)

Nature Green metallic**
3Y3Y (not vRS)

Black Magic pearl effect*
1Z1Z



Lemon Yellow
8Q8Q (not saloon)††

Blue Storm metallic
8D8D (not vRS)

Highland Green metallic
7A7A (not vRS)

* Colours available on New Fabia Sport

** Not available to order from week 8 (21 February 2005)

*** Not available to order from week 50, 2005.

† Sahara Beige is being replaced by Cappuccino Metallic from week 17 (24th April 2006)

†† Lemon Yellow is being replaced by Sprint Yellow from week 22 (29th May 2006)

- Fabia vRS and Fabia Sport only

Because of errors which may occur in the print, the colours illustrated here may differ from the actual finishes themselves. Your Škoda Retailer will be pleased to advise you.

Škoda Fabia and the environment

ŠkodaAuto views the development and manufacture of environmentally friendly products as one of its foremost priorities, and this in all phases of the products' life cycles. In order to fulfil this criterion we have taken the following steps in the manufacture of our vehicles:

We have placed the main emphasis on the use of recycled materials. The parts used in the Fabia are marked according to appropriate standards. This allows their fast identification during disassembly and any subsequent separation of various groups of parts. Construction design of these parts is optimised with regard to their easy and fast disassembly when the vehicle is being dismantled at the end of its life cycle.

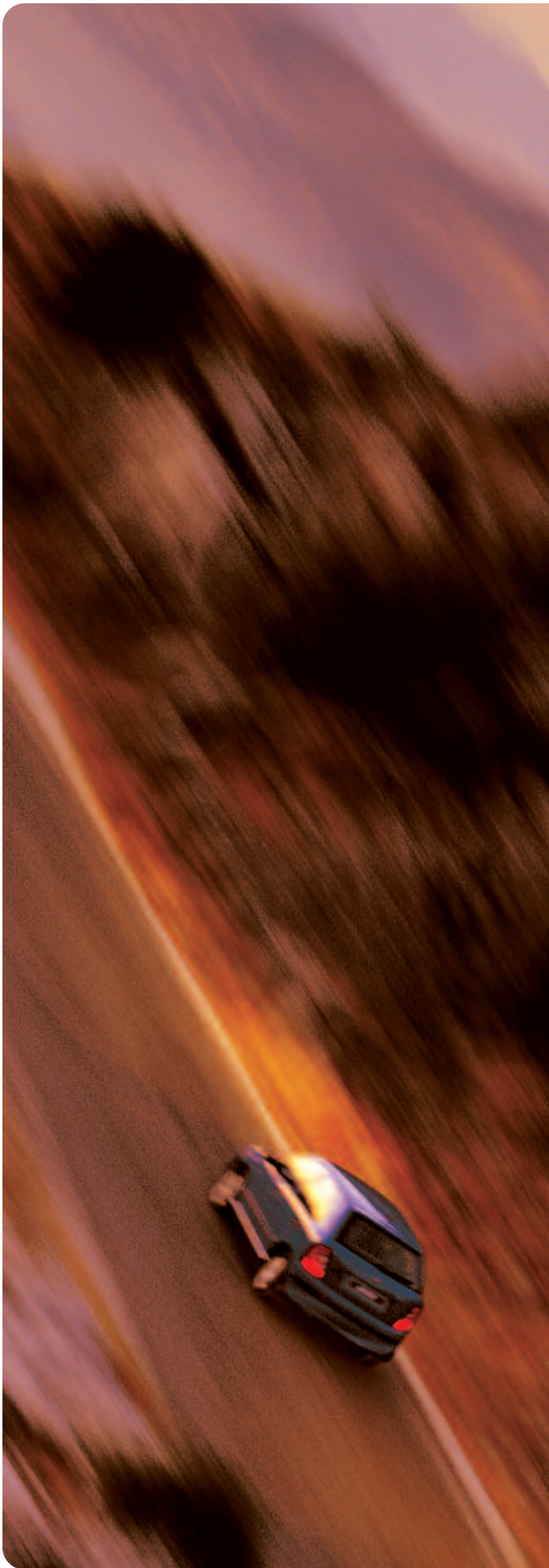
We manufacture Škoda vehicles using progressive technologies in the most modern production facilities which correspond to the highest and strictest criteria. For anti-corrosion protection of the painted part of the vehicle we always and without exception use leadless cathodesis (KTL) and waterbased colours.

Cutting the consumption of fuel and emissions is done within the framework of the concern strategy with both petrol and diesel engines. In the area of combustion we achieve lower consumption of fuel by minimising the frictional loss in wheel traction, optimising vehicle aerodynamics, reducing energetic consumption and decreasing the weight of parts and at the same time continuing to meet all of the required parameters. All engines we offer meet the current emission guidelines.

In construction of the vehicle we pay special attention to limiting the possibility of the escape of service fluids, in the framework of manufacturing of the vehicle, its operation and service. All products of ŠkodaAuto meet the requirements of laws and guidelines for the protection of the environment, both earth and water.

In consequence of using the most modern analytical methods and the follow-up measures, we are also able to decrease noise levels and improve sound quality.

The result of all of these activities is that the Škoda Fabia car fulfils not only the requirements in the technical area, in safety and quality, but also in the area of protection of the environment. ŠkodaAuto thereby contributes to the preservation of a clean, healthy environment while at the same time guaranteeing the mobility and satisfaction of their customers.



Technical glossary

ABS: the anti-lock braking system prevents the wheels from locking during heavy or emergency braking, enabling the vehicle to remain steerable. When braking, wheel speed sensors measure the road wheel speed and should one or more wheels start to lock the system reduces brake pressure to that wheel.

MSR: the engine torque control system recognises when the wheels are subject to too much slippage and regulates the power supply by intervening in the engine management system. This prevents wheelspin when, for example, changing down on a smooth or wet road surface. MSR is a constituent part of the ASR system.

EDL: the electronic differential lock continually compares the rpm of the drive wheels, and if it identifies a difference between them which could lead to an individual wheel spinning, for example if the two wheels are on different types of surface or accelerating on wet leaves, the system brakes the wheel affected until uniform rpm of all drive wheels is restored.

MBA: the mechanical brake assist system increases brake effort under emergency braking conditions through a dual rate servo.

ASR: Anti-Slip Regulation traction control ensures the Fabia's stability when pulling away or accelerating. If the engine power or torque being transmitted to the drive wheels is too great, for example on a slippery road surface, engine torque is automatically reduced until optimum road-holding returns, thus preventing wheelspin. A light indicates whether the ASR system is on. It can be manually switched off.

Xenon lamps: the Xenon lamps produce about 2.5 times the light of standard Halogen lamps with 35% less energy consumption.

ESP: Electronic Stability Programme is designed to stabilise the dynamic handling response of the vehicle by counteracting any tendency towards oversteer or understeer. The ESP constantly compares the actual movement of the vehicle with predetermined values and according to the situation ESP reacts by braking each wheel individually (according to direction of slip) and automatically adjusting the engine's output.

CAN Bus: the CAN Bus is an electronic data bus which links the various different electronic control systems in the car. It ensures ideal co-ordination between systems and reduces the amount of wiring needed in the car.

Fuel cut-out: should one or more of the airbags inflate after an accident, this system automatically cuts out the fuel supply, thus preventing subsequent leakage of the diesel or petrol.

Trip Computer: the trip computer not only features an impressive range of data displays, operating it is simplicity itself. A multifunction touch key enables you to call up all relevant data on the easy-to-read display. Features include external temperature, time, current fuel consumption, average fuel consumption, miles driven and average speed.