



CITROËN



XSARA PICASSO



**XSARA
PICASSO**
FAMILY MPV

A WHOLE HOST OF CLEVER FEATURES.

CLEVER FEATURES THAT ARE CONTROLLED BY AN ADVANCED ELECTRICAL SYSTEM, WHICH USES MULTIPLEX TECHNOLOGY TO MINIMISE THE ELECTRICAL WIRING REQUIRED. JUST ONE OF THE MANY WAYS IN WHICH CITROËN ARE APPLYING FRESH THINKING AND NEW TECHNOLOGY TO MAKE XSARA PICASSO A VEHICLE YOU CAN RELY ON.



PETROL ENGINE AVAILABILITY

1.6i 16V 110hp

DESIRE

VTX

•

•

DIESEL ENGINE AVAILABILITY

1.6HDi 16V 92hp
1.6HDi 16V 110hp DPFS†

•

•

•

•

† Diesel Particulate Filter System



As you sit behind the wheel, you sense a strong intelligence at work. For example, the stereo system varies the sound volume according to the speed at which you are travelling, and can continue playing for 30 minutes after you've switched off the engine. And, comfortably, the headlamps can stay on for one minute to see you safely out of a dark car park or garage. Then there are the clever front and rear wipers: switch them to intermittent and they will vary in speed according to the speed of the vehicle.

Citroën have always seen things from the driver's point of view. Which is why so much attention, and considerable investment, have been lavished on the cockpit of the Xsara Picasso. This is where you feel in control. At your fingertips are a range of advanced functions that adapt instantly to your needs. They are all designed to help make driving safer and more enjoyable.



CITROËN XSARA PICASSO - DESIRE FEATURES:

- ABS with Electronic Brakeforce Distribution (EBD)
- Electronic Stability Programme (ESP) with traction control (1.6HDi 16V 110hp only)
- Emergency Braking Assistance (EBA) (1.6HDi 16V 110hp only)
- Driver's and front passenger's airbag
- Front lateral airbags
- High-frequency remote control central locking with dashboard mounted control
- Body colour painted bumpers, side rubbing strips, door mirrors, door handles and rear number plate moulding
- Electrically adjustable and heated door mirrors
- Air conditioning
- Front fog lights
- Front electric windows with 'one-touch' operation (driver's side) and anti-pinch
- Heat-reflecting windscreen
- RDS stereo radio/CD player with steering mounted controls
- Leather steering wheel
- Multi-function on-board trip computer
- Height-adjustable front seat belts
- Front folding armrests
- 15" steel wheels with 'Bayonne' wheel covers (set of four)

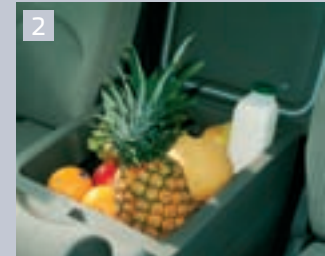
CITROËN XSARA PICASSO - VTX FEATURES: (ADDITIONAL TO DESIRE)

- 15" 'Melbourne' alloy wheels (set of four)
- Cruise control
- **Electric Pack** - rear parking sensors, rear electric windows and folding door mirrors

ACCESSORIES YOU WON'T WANT TO BE WITHOUT

Whether you wish to enhance the vehicle's appearance, add to its convenience, storage or safety features, or enjoy its high-quality in-car entertainment including the 6-CD autochanger and satellite navigation systems, we have the accessory solution for you. For information on the full range of accessories available, contact your local Citroën Dealer or visit www.accessories.citroen.co.uk. Below is a selection of Xsara Picasso accessories:

- 1 Estoril alloy wheels
- 2 Fridge
- 3 Tailgate bike carrier



XSARA PICASSO

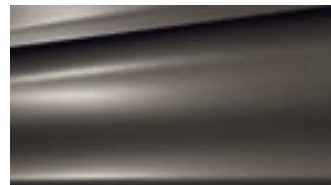
COLOURS, TRIM,
WHEELS & OPTIONS



ARCTIC STEEL
(METALLIC)



BLACK
(PEARLESCENT)



NOCCIOLA
(METALLIC)



POLAR WHITE



IRON GREY
(PEARLESCENT)

15" 'BAYONNE' WHEEL COVERS

Set of four
Tyres: 185/65 R15
15" steel spare wheel

DESIRE

VTX

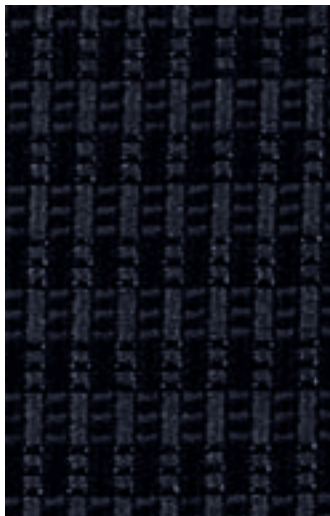


15" 'MELBOURNE' ALLOY WHEELS

Set of four
Tyres: 185/65 R15
15" steel spare wheel

DESIRE

VTX



GREY 'REPS' CLOTH

OPTION SUMMARY

	DESIRE	VTX
Electric Pack - rear parking sensors, rear electric windows and folding door mirrors	○	●
Automatic Pack - automatic digital air conditioning, automatic rain-sensitive windscreen wipers and automatic illumination of headlamps	○	○
Metallic/Pearlescent paint	○	○
Black paint	○	○

- Standard equipment
- Optional factory fitted equipment

Please note: Colours and pictures shown in this brochure are for illustration purposes only. Please consult your Dealer for definitive colour and trim/upholstery details.

XSARA PICASSO

EQUIPMENT SPECIFICATION

	DESIRE	VTX
SAFETY & SECURITY		
ABS with Electronic Brakeforce Distribution (EBD)	●	●
Electronic Stability Programme (ESP) with traction control	● ¹	● ¹
Emergency Braking Assistance (EBA)	● ¹	● ¹
Energy absorbing side impact protection	●	●
Driver's airbag	●	●
Front lateral airbags	●	●
Passenger's airbag with cut-off device	●	●
Fuel cut-off device	●	●
Front seat belt pre-tensioners with force-limiters	●	●
Height-adjustable front seat belts	●	●
Five 3-point inertia reel seat belts	●	●
High-frequency remote control central locking with deadlocks and dashboard mounted control	●	●
Transponder immobiliser	●	●
Automatic door and boot locking (when car in motion)	●	●
Lockable fuel cap	●	●
Elevated seating position for increased visibility and improved lateral protection	●	●
Two outer rear seats Isofix child seat anchorage points	●	●
High tensile steel side protection bars	●	●
Automatic activation of hazard warning lights (in case of rapid deceleration or impact)	● ¹	● ¹
LIGHTING & VISIBILITY		
Front fog lights	●	●
Halogen headlamps	●	●
Height-adjustable headlamps	●	●
'Guide-me-home' headlamp function	●	●
High level third brake light	●	●
Twin rear fog and reversing lights	●	●
Heat-reflecting windscreen	●	●
Three-speed and intermittent speed-sensitive windscreen wipers	●	●
Speed-sensitive and intermittent rear wash-wipe	●	●
Automatic rear wiper (when reverse gear is engaged and front wipers on)	●	●
Automatic illumination of interior lights when vehicle is unlocked or doors opened	●	●
Front and rear courtesy and reading lights	●	●
Boot courtesy light	●	●

	DESIRE	VTX
COMFORT & CONVENIENCE		
Air conditioning	●	●
Air recirculation and pollen filter	●	●
Tinted windows	●	●
Height and reach adjustable steering wheel	●	●
12 volt socket	●	●
Cigarette lighter	●	●
Variable power assisted steering	●	●
Electrically adjustable and heated door mirrors	●	●
Front electric windows with 'one-touch' operation (driver's side) and anti-pinch	●	●
Rear opening tailgate	●	●
Dashboard mounted gear lever	●	●
Heated rear window	●	●
Rear centre seat fold down table with integrated cup holders and armrests	●	●
Front folding armrests	●	●
Aircraft style tables on rear of front seats	●	●
Electric Pack - rear parking sensors, rear electric windows and folding door mirrors	○	●
DRIVER INFORMATION		
Digital dashboard display	●	●
Digital clock	●	●
'Black panel' night-time instrument lighting	●	●
Independent front and rear suspension	●	●
Coolant temperature indicator	●	●
Maintenance indicator	●	●
Child lock indicator	●	●
Exterior temperature display with risk of ice warning indicator	●	●
Multi-function on-board trip computer (current fuel consumption, average fuel consumption, distance covered, average speed and range on remaining fuel)	●	●
Audible over speed warning	●	●
Audible lights-on and key-in-ignition warning	●	●
Cruise control	●	●

	DESIRE	VTX
STYLE		
EXTERIOR		
Body colour painted bumpers with chrome inserts and side rubbing strips	●	●
Body colour painted bumper skirts	●	●
Body colour painted door mirrors	●	●
Body colour painted door handles	●	●
Body colour painted rear number plate moulding	●	●
15" steel wheels with 'Bayonne' wheel covers (set of four)	●	●
15" 'Melbourne' alloy wheels (set of four)	●	●
Steel spare wheel	●	●
INTERIOR		
Leather steering wheel	●	●
SEATING		
Height-adjustable driver's seat	●	●
Lumbar adjustment on driver's seat	●	●
Rear sliding central seat	●	●
Independently foldable and removable rear seats with three retractable head restraints	●	●
Height and tilt adjustable front head restraints	●	●
STORAGE		
15 litre illuminated glove box with cup holders and space for sunglasses and a pen in the lid	●	●
Two nine litre compartments in rear floor	●	●
Large pockets in all four doors with space for a 1.5 litre bottle and a 33 centilitre drinks can	●	●
Drawer under driver's seat	●	●
Storage compartment at the bottom of the centre console	●	●
Four lashing eyes in the boot	●	●
Flat floor for carrying long items (when rear seats removed)	●	●
IN-CAR ENTERTAINMENT		
RDS stereo radio/CD player with steering mounted controls	●	●
Speed sensitive stereo volume	●	●
Six speakers	●	●



- Standard equipment
- Optional factory fitted equipment
- ¹ 1.6HDI 110hp models only

XSARA PICASSO

TECHNICAL SPECIFICATION



55.4mpg
on diesel models



135g/km CO₂
on 1.6HDi 16V (92hp) model

	PETROL MODEL	DIESEL MODELS	
	1.6i 16V (110hp)	1.6HDi 16V (92hp)	1.6HDi 16V (110hp) DPFS†
ENGINE			
Capacity (cc)	1587	1560	1560
Cylinders	4 in line	4 in line	
Max power DIN (hp/rpm)	110/5800	92/4000	110/4000
Max torque DIN (lb.ft/rpm)	108/4000	159/1750	192/2000
Fuel system	Multi-point electronic fuel injection	High pressure direct diesel injection	
TRANSMISSION			
Front wheel drive	•	•	•
Five speed manual	•	•	•
Clutch type	Dry single plate	Dry single plate	
(All figures driver alone) PERFORMANCE			
Max speed (mph)	112	109	114
0-62mph (secs)	11.4	13.8	11.9
Standing 1000m (secs)	34.0	35.8	33.7
(Official Government test fuel consumption figures) ECONOMY Litres/100km (mpg)			
Urban cycle	9.5 (29.7)	6.5 (43.5)	6.4 (44.1)
Extra urban	6.0 (47.1)	4.3 (65.7)	4.4 (64.2)
Combined	7.3 (38.7)	5.1 (55.4)	5.1 (55.4)
CO₂ EMISSIONS (g/km)	172	135	136
Please note: that the maximum plated weights must not be exceeded WEIGHTS (kg)			
Kerb weight	1240	1300	1313
Max laden weight	1800	1850	
Max towing weight braked	1300	1300	
Max roof rack load	80	80	
BRAKES			
ABS with EBD standard on all models	•	•	•
Front discs, rear drums	•	•	•
Front and rear discs			•
STEERING			
Variable power assisted steering		Variable power assisted steering	
Number of turns lock to lock	3.2	3.2	
Turning circle between kerbs (m)	11.48	11.48	
SUSPENSION	Anti-roll bars front and rear, front Macpherson strut/coil springs, rear independent trailing arms/torsion bars		
FUEL TANK CAPACITY Litres (gallons)	55 (12.1)	60 (13.2)	55 (12.1)
EXTERIOR DIMENSIONS (mm)			
Length	4276	4276	
Width	1751	1751	
Height	1637	1637	
Wheelbase	2760	2760	
BOOT VOLUME (litres)			
Seats up - below parcel shelf	550	550	
Seats folded forward - up to roof	1969	1969	
Seats removed - up to roof	2128	2128	

† Diesel Particulate Filter System

ESSENTIAL CARE.

CITROËNS ARE RENOWNED FOR THEIR RELIABILITY – AND THE CITROËN XSARA PICASSO IS NO EXCEPTION. WITH THE ADDED REASSURANCE OF A WARRANTY, ROUTINE SERVICING AND MAINTENANCE, AS WELL AS 24-HOUR ROADSIDE ASSISTANCE, YOU ARE PROTECTED AT EVERY TURN.

CITROËN ADVANTAGE

Enjoy your Citroën for years to come with Citroën Advantage. This extended warranty gives you long-term cover if you're planning to keep your new Citroën for more than three years, or anticipate your mileage to be more than 60,000 miles over this time.

To find out more, contact your Citroën Dealer or call the Customer Contact Centre on 0844 463 3500.

CITROËN MAINTENANCE

From roadside assistance to replacing wear and tear parts or regular servicing, with Citroën Maintenance you have total peace of mind. For a one-off fee or low monthly payment, our experienced engineers will take care of your Citroën, whatever happens.

To find out more, contact your Citroën Dealer or Citroën authorised repairer.

CITROËN ASSISTANCE

For all models except C6: In response to a free telephone call, Citroën Assistance brings rapid expert roadside assistance to you in an emergency. It comes free of charge for a full year and operates 24 hours a day in all parts of the UK and Europe. Services include nationwide recovery for both car and passengers, a home call service, replacement vehicle, hotel accommodation and vehicle storage if required. Please note, Citroën Assistance only applies to incidents covered by the new vehicle warranty, and excludes non-vehicle faults, such as running out of fuel, mis-fuelling, loss of keys, lock-ins, road traffic accidents and punctures/wheel changes. C6: Citroën Assistance covers all incidents and for a period of 3 years. Full details are available on request from Citroën UK via cuk_contactcentre@citroen.com

CITROËN WARRANTY

Every new Citroën car has the benefit of a 3 year* warranty package, plus a 12 year anti-perforation** warranty and a 3 year paint warranty.



DRIVE YOUR WAY.

GET BEHIND THE WHEEL OF YOUR NEW XSARA PICASSO, WITH CITROËN'S DRIVENOW RANGE OF FINANCE AND CAR INSURANCE PRODUCTS. HERE YOU CAN FIND EVERYTHING YOU NEED FOR AN ENJOYABLE MOTORING EXPERIENCE. LET YOUR JOURNEY BEGIN...



Own your vehicle with this flexible package designed to fit your budget.



A new Citroën car every two or three years with monthly payments structured to suit your budget.



Enjoy the convenience of a new car without the stress and hassle of ownership.

TO FIND OUT MORE ABOUT CITROËN PRODUCTS AND SERVICES, GO TO WWW.CITROEN.CO.UK OR CONTACT YOUR CITROËN DEALER.



A tried and tested finance package that allows you to own your vehicle.



An alternative to vehicle ownership that allows you to control your business cash flow and gain tax efficiencies.



Own a vehicle with a finance solution that offers ultimate flexibility to complement your business cash flow.



A non ownership finance solution that keeps costs fixed and risks low.

FOR MORE INFORMATION ON CITROËN FLEET AND BUSINESS SALES, PLEASE CALL CITROËN FLEET CONNECT ON **08457 940 940** OR LOOK US UP AT WWW.CITROEN.CO.UK/FLEET

*** Citroën Insurance is arranged by Banque PSA Finance and underwritten by UK Insurance Limited. Conditions apply. Full details available on request. Credit subject to status and to over 18s only. A guarantee may be required. Written quotations available on request from Citroën Financial Services, Quadrant House, Princess Way, Redhill, Surrey RH1 1QA. Citroën Financial Services is a trading name of Banque PSA Finance. Telephone calls may be recorded or monitored for training or quality purposes.

* 2 years' manufacturer's warranty. No-fee customer option of 1 year's Dealer provided extended warranty, only on cars sourced from Citroën UK Limited. Note: dealer provided warranty is limited to 60,000 miles for cars and 100,000 miles for light commercial vehicles.

** Against all internal to external perforation to bodywork or underbody on condition the car undergoes an inspection by a Citroën franchised Dealer every two years from its fourth anniversary.

+ Lines open 8am - 8pm weekdays, 9am - 5pm Saturdays. Max call charge from a BT landline is 8p per minute. Calls from other networks may vary.

**XSARA
PICASSO**
CARE, FINANCE
& INSURANCE

CITROËN INSURANCE*** IS THE ONLY MOTOR INSURANCE DESIGNED SPECIFICALLY FOR CITROËN DRIVERS, WITH COVER DESIGNED AROUND YOUR NEEDS.



To help you drive away your new car without delay, we offer DRIVENOW Instant Cover insurance, providing you with 7 days comprehensive car insurance, for free!

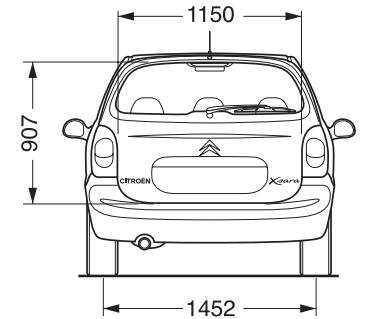
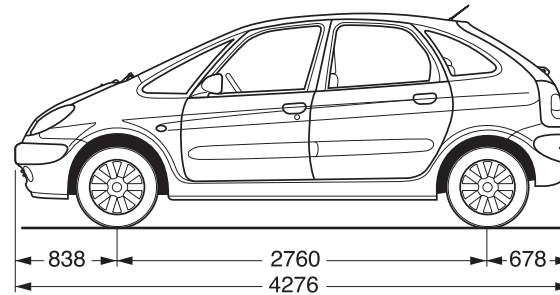
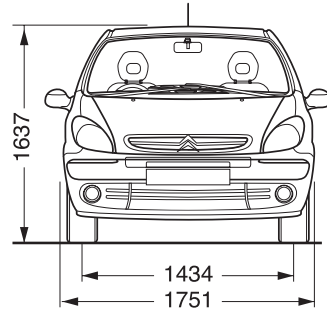
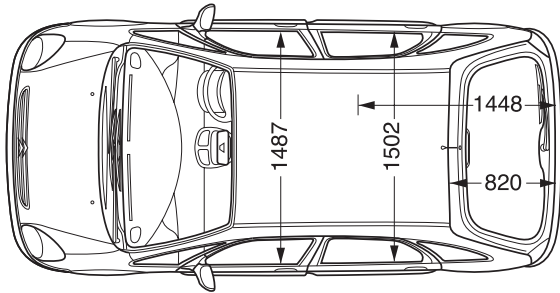


Simply put, Citroën Insurance offers real benefits, quality support and the usual high standards you can expect from a big name brand.

CALL US TODAY ON **0870 024 2725** AND DISCOVER MOTOR INSURANCE DESIGNED EXCLUSIVELY FOR CITROËN DRIVERS.†

...AND EVEN MORE!

Whether you want protection against unforeseen circumstances that may affect your ability to make your monthly payment, or financial protection against a 'total loss' insurance claim, we will have a DRIVENOW product to suit your needs. And you have the confidence of knowing it's all backed up by the brand you know and love, Citroën!



All measurements in millimetres



Citroën UK Ltd. 221 Bath Road, Slough SL1 4BA.
www.citroen.co.uk



This brochure is made from paper from a sustainable and well-managed forest. Citroën support responsible use of forest resources.

Please don't throw me away, give me to a friend or recycle me.

NOTE: Every endeavour has been made to ensure that the information contained in this leaflet was accurate at the date of going to press December 2008. The Company however, reserves the right, whilst preserving the essential characteristics of the models described, to introduce at any time modifications, changes of details, equipment or accessories as may be considered necessary to improve the models described or for any other reason of a constructional or operational nature.

CITROËN prefers TOTAL

K11086 DESIGNED AND PRODUCED BY PEXTON SEARLE 01923 244241