

CONTENTS

02.	TINO GRADES
04.	COLOURS
06.	DIMENSIONS
07.	UPHOLSTERY
08.	TECHNICAL SPECIFICATIONS
10.	NISSAN COMMITMENT

CONTENTS

TINO GRADES	.02
COLOURS	.04
DIMENSIONS	.06
UPHOLSTERY	.07
TECHNICAL SPECIFICATIONS	.08
NISSAN COMMITMENT	.10



GRADES

As you'd expect from the first family car designed for individuals, the Almera Tino offers lots of individual choices. There are three different engines, manual or automatic transmission, eight colours and three grades. So exercise your individuality. And enjoy choosing!



S

SAFETY

- ABS with Brake Assist
- Electronic Brake force Distribution
- Driver and passenger airbags
- Panoramic driver's door mirror
- Two front 3-point ELR seatbelts with load limiter and pretensioner
- Three rear 3-point A-ELR seatbelts
- Three adjustable rear headrests

TECHNOLOGY

- 5.8" colour centre display monitor with intelligent control
- Drive computer

COMFORT AND CONVENIENCE

- Power steering (engine speed dependent)
- 4 spoke steering wheel
- Tilt steering wheel adjustment
- Outside temperature gauge
- Low fuel warning lamp
- Headlamp-on warning buzzer
- Key left in ignition warning
- Door ajar warning lamp
- Front power windows with one touch control (driver's only)
- Logic cabin lighting
- Interior lamp
- Front map lamp and rear reading lamp
- Two sliding rear seats
- Three folding/reclining/removable rear seats

HEATING, VENTILATION AND VISIBILITY

- Climate control air conditioning
- Pollen filter

- Two speed wiper with variable intermittent
- UV-ray and solar heat reducing front and side windows

SEATING, TRIM AND STORAGE

- Granite seat fabric
- Driver's seat recline and lift adjustment
- Front door pockets and nets
- Two rear floor storage compartments
- Concealed storage under rear seats with lid

SECURITY

- Central locking with anti-hijack feature
- Keyless entry with superlocking
- Software lock immobiliser
- Audio linked to immobiliser

STYLING

- Body-coloured electric door mirrors
- Body coloured bumpers with black inserts
- Black side sill spoiler
- Black side guard moulding
- 15" steel wheels with wheel covers

IN-CAR ENTERTAINMENT

- CD radio with 6 speakers
- Steering wheel mounted audio controls

OPTIONS AT EXTRA COST

- Electric tilt and slide sunroof

SE

(As S Plus)

SAFETY

- Front seat mounted side airbags
- Active front headrests

TECHNOLOGY

- Rear view camera

COMFORT AND CONVENIENCE

- Electric tilt and slide sunroof
- Rear power windows
- 12V power socket
- Seat back tables with cupholder and convenience hook
- Storage drawer under front passenger seat

SEATING, TRIM AND STORAGE

- Carbon seat fabric
- Driver and passenger seat back pockets
- Satin chromed interior door handles

STYLING

- Body coloured side sill spoiler
- Chrome outside door handles
- 15" alloy wheels

OPTIONS AT EXTRA COST

- 7" colour centre display monitor with DVD satellite navigation

SVE

(As SE Plus)

SAFETY

- Front fog lamps

TECHNOLOGY

- 7" colour centre display monitor with DVD satellite navigation
- Electronic Stability Program (ESP)

COMFORT AND CONVENIENCE

- 4 spoke leather steering wheel

SEATING, TRIM AND STORAGE

- Leather and alcantara seat fabric

STYLING

- 16" alloy wheels



Arctic White **S**



Starburst Silver **M**



Pearl Black **M**



Flame Red **S**



Merlot **P**



Ocean Blue **M**



Techno Grey **M**



Cabrera **M**

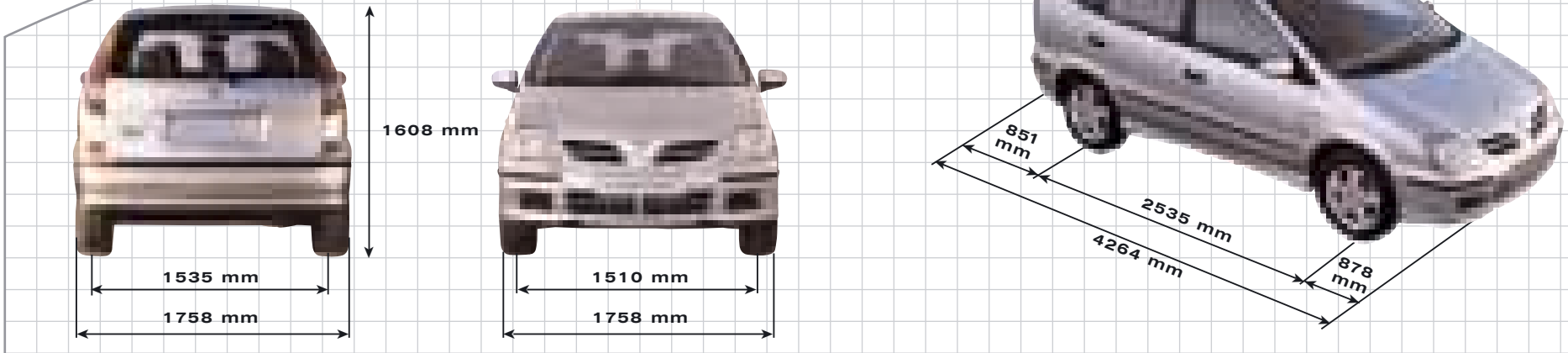
COLOURS

S solid

M metallic

P pearl metallic

DIMENSIONS



UPHOLSTERY

- S** solid
- M** metallic
- P** pearl metallic

Body Colour		S	SE	SVE
Arctic White 326	S	•	•	•
Starburst Silver KL0	M	•	•	•
Pearl Black GN0	M	•	•	•
Flame Red Z10	S	•	•	•
Merlot AX5	P	•	•	•
Ocean Blue Z01	M	•	•	•
Techno Grey KY5	M	•	•	•
Cabrera BY7	M	•	•	•

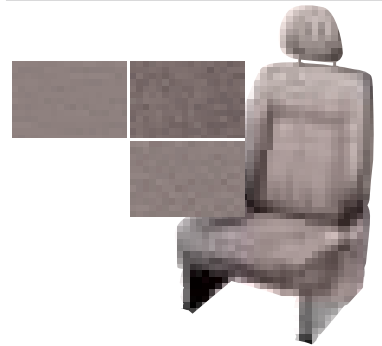
Granite (S)



Carbon (SE)



Leather and Alcantara (SVE)



TECHNICAL SPECIFICATIONS

Model		1.8 litre petrol engine	2.2 litre dCi 112 engine ⁹⁾	2.2 litre dCi 136 engine	
Available grades	manual	S, SE, SVE	S, SE, SVE	SE, SVE	
	automatic	S, SE, SVE	-	-	
Seating capacity	persons		5		
ENGINE					
No. cylinders, configuration			4, in line		
Valves per cylinder / engine			4/16		
Engine capacity	cm ³	1769	2184	2184	
Bore x stroke	mm	80.0 x 88.0	86.0 x 94.0	86.0 x 94.0	
Max. engine power ¹⁾	kW(PS)/rpm	85 (115) / 5600	82 (112) / 4000	100 (136) / 4000	
Max. torque ²⁾	Nm/rpm	163 / 4000	248 / 2000	304 / 2000	
Fuel type		Unleaded petrol RON 95	Diesel	Diesel	
Ignition system / Intake system (Diesel)		Electronic, direct injection	Compression	Compression	
Fuel supply		Multipoint injection	Direct injection, common rail	Direct injection, common rail	
Emission control system		3-stage catalyst	EGR + catalyst	EGR + catalyst	
Emission level		E3	E3	E3	
DRIVE TRAIN					
Clutch type (auto)		Dry plate, Mechanical (Hydraulic torque convertor)	Dry plate, Mechanical	Dry plate, Mechanical	
Transmission (auto)	Front wheel driven	5-speed manual (4-speed automatic)	5-speed manual	6-speed manual	
Gear ratio	1st (auto)	3.3333 (2.8611)	3.4000	3.5000	
	2nd (auto)	1.9545 (1.5622)	1.9545	1.9440	
	3rd (auto)	1.2857 (1.0000)	1.2069	1.2580	
	4th (auto)	0.9268 (0.6979)	0.8298	0.9470	
	5th (auto)	0.7333 (NA)	0.6415	0.7720	
	6th	-	-	0.6730	
	Reverse	3.2143 (2.3103)	3.4268	3.3740	
Final drive ratio		4.4375 (4.0721)	3.8235	3.8120	
CHASSIS					
Suspension front			Independent, Mac Pherson Strut, Coil Springs		
Suspension rear			Multi Link Beam, Coil Springs		
Steering			Rack and pinion, Power Assisted		
Braking system			Two circuits, diagonal distribution, power assisted, electronic 4 channel / 4 sensor ABS incl. EBD (Electronic Brake force Distribution), Brake Assist		
Wheel size min. / max. (option) ²⁾			15 x 6J (16 x 6.5J)		
Tyre size min. / max.		185/65R15 / 205/55R16	195/65R15 / 205/55R16	195/65R15 / 205/55R16	
WEIGHTS AND DIMENSIONS					
Kerb weight min. (auto) ³⁾	kg	1305 (1335)	1430	1450	
Kerb weight max. (auto) ³⁾	kg	1368 (1397)	1493	1509	
Gross Vehicle Weight (auto)	kg	1830 (1830)	1940	1940	
Max. axle weight front / rear	kg	975 / 940	1085 / 960	1085 / 960	
Max. trailer weight braked / unbraked (auto)	kg	1250 / 700 (1250 / 690)	1250 / 700	1250 / 700	
Max. roof load	kg		75		
Luggage space max. length to back of rear seat	mm		850		
max. length to back of front seat	mm		1740		
Luggage capacity (VDA)	l		440		
Fuel tank capacity	l		60		
PERFORMANCE					
Fuel consumption ⁴⁾	Urban cycle	l/100 km (mpg)	10.0 (28.2)	8.4 (33.6)	8.6 (32.8)
		(auto)	11.0 (25.7)	-	-
	Extra-urban	l/100 km (mpg)	6.3 (44.8)	5.3 (53.3)	5.5 (51.4)
		(auto)	6.6 (42.8)	-	-
	Combined	l/100 km (mpg)	7.7 (36.7)	6.4 (44.1)	6.6 (42.8)
(auto)		8.2 (34.4)	-	-	
CO ₂ mass emission	g/km	183	175	181	
	(auto)	199	-	-	
Max. speed	km/h (mph)	173 (107)	180 (112)	187 (116)	
	(auto)	167 (104)	-	-	
Acceleration 0-100 km/h (0-62 mph)	sec	11.6	12.2	10.5	
	(auto)	14.2	-	-	
Min. turning circle (kerb to kerb)	m		10.6		

1) In accordance with 1999/99/EC.

2) 15" spare steel wheel on all manual models. Automatic models come with a space saver spare wheel.

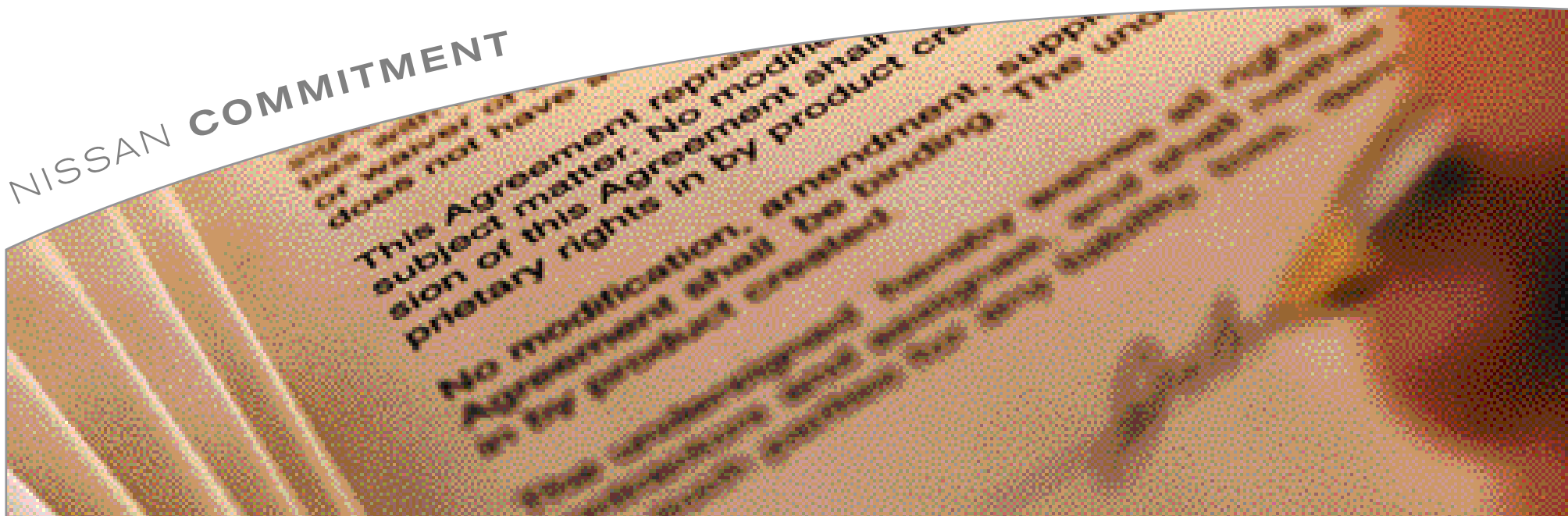
3) Figures in accordance with EC directive. Kerb weight condition is without Driver and including coolant, oils, fuel, spare wheel & tools.

Pay load will be reduced depending on the options and / or accessories installed.

4) In accordance with 1999/100/EC. (Optional equipment, maintenance, driving technique, road and weather conditions may affect the official results).

5) Available from May 2003.

NISSAN COMMITMENT



Ownership

The Nissan philosophy of continuous improvement means we have a different approach to building cars. To make sure that every Nissan meets the real-life needs of its owner, we ask current Nissan drivers what they think of their cars before we start designing. Then there's our tough testing programme. To maintain our excellent reputation for reliability, dependability and safety, we test every single component to destruction. Finally, as the car is assembled, every worker checks his own job as well as that of the person before, ensuring our renowned standards of build quality and attention to detail.

KEEPING THINGS LOCAL

Nissan is committed to keeping its European operations on a local basis. There's a design centre in Germany. Technology Centres in Britain, Spain and Belgium. Manufacturing plants in Britain and Spain. Parts and vehicle distribution in the Netherlands. And our European headquarters in France. Because only through this structure can we continue to produce vehicles to suit the requirements of the people who'll actually drive them. And guarantee that somewhere, within our wide range of models available in Europe, there is one perfect for you.

AFTER-SALES SUPPORT

Our rigorous testing programme gives us the confidence to offer a comprehensive range of after-sales guarantees. All Nissan cars are covered by a 3-year or 60,000 miles warranty (whichever comes first), 3-year paint warranty and 12-year anti-corrosion warranty. For extra peace of mind, we also offer a 12-month RAC roadside assistance package