

Mazda Products and Services.

Warranty Plus – 3-Year Cover.

Every Mazda is designed and built to the highest standards of performance, comfort and reliability. For your further reassurance, Mazda also provides a full 3-year / 60,000-mile¹ warranty cover including Mazda European Assistance and a 6-year anti-perforation warranty.

¹ There is no mileage limit during the first year of the warranty.

Mazda Momentum – New Vehicle Extended Warranty.

At any time during the manufacturer's warranty period you may purchase a Mazda Momentum extended warranty package. Three options are available. Your Mazda dealer will be pleased to provide you with details.

Accessories.

There is a full range of Mazda genuine accessories for each Mazda model. For more information, contact your Mazda dealer.

Mazda Credit.

Mazda Credit* provides a comprehensive range of finance plans which include:
Mazda MultiOption – A flexible and cost-effective method of funding a Mazda.
Mazda Hire Purchase – A simple, straightforward and traditional funding plan.
Mazda Business Partner – A range of finance solutions for business customers.

Mazda Insurance.

Mazda Insurance offers a range of motor-related insurance products to protect you and your car. For total motoring peace of mind, please ask your Mazda dealer for details.

Tax-Free Personal Export, Diplomatic and Military Sales.

Significant savings are available for those who qualify, with schemes tailored to suit individual needs. For further information, contact your Mazda dealer or contact Mazda Tax Free Sales on 01932 335132.

Motability.

For all Motability enquiries, please contact Mazda on 08457 48 48 48.

Your Mazda dealer:

Mazda Motors UK Limited reserves the right to introduce changes in specification and equipment due to its ongoing product development. Colour and trim samples shown in this brochure may vary from the actual colours because of the limitations of the printing process. It is recommended that you consult your Mazda dealer when referring to these.

*Finance subject to status. Guarantees / Indemnities may be required.

Written quotations: Mazda Credit UK, Central Office, Eagle Way, Brentwood, Essex CM13 3AR

Authorised and regulated by the Financial Services Authority.

November 2004.

Internet: www.mazda.co.uk
Mazda Helpline: 08457 48 48 48



Mazda B-Series

Vehicle specifications.

Part No: MCAG1054B 11/04 (BJN 300831/UKV1)



ZOOM-ZOOM

Mechanical Features.

Engines:

- 2.5 Diesel
- n 2500cc in-line 4-cylinder, 12-valve, SOHC, front mounted, developing 84ps (62kW) at 4000rpm and 195Nm at 2000rpm.
 - n Oxidation catalyst.
 - n Electronic multi-point fuel injection.
- 2.5 Turbo Diesel
- n 2500cc turbocharged, in-line 4-cylinder, 12-valve, SOHC, front mounted, developing 109ps (80kW) at 3500rpm and 266Nm at 2000rpm.
 - n Oxidation catalyst.
 - n Turbocharger with intercooler.
 - n Electronic multi-point fuel injection.

Transmissions:

- n 5-speed manual.
- n 2WD on 2.5 Diesel and 4WD on 2.5 Turbo Diesel.

Body:

- n Rigid and torsion-resistant all-steel body with defined crumple zones for the front and rear section, stable passenger safety cell with side impact reinforcement in the doors.

Chassis and Suspension:

- n Front: Independent suspension with double wishbones, torsion bar and tubular double-acting shock absorbers.
- n Rear: Leaf springs with double-acting shock absorbers.
- n Remote Free Wheel hub locking system (RFW) (4WD only).
- n Limited-slip differential.

Brake System:

- n Hydraulic, diagonally divided dual circuit system with vacuum amplifier.
- n 4-wheel Anti-lock Braking System (4W-ABS).
- n Front: 256mm (2WD) / 289mm (4WD) ventilated disc brakes.
- n Rear: 270mm (2WD) / 295mm (4WD) drum brakes.
- n Mechanical parking brake acting on rear wheels.

Technical Data.

Engine Type	2.5 Diesel 2WD	2.5 Turbo Diesel 4WD
Displacement (cc)	2500	2500
Bore and stroke (mm)	93 x 92	93 x 92
Valves per cylinder	3	3
Maximum output [ps (kW) / rpm]	84 (62) / 4000	109 (80) / 3500
Maximum torque (Nm / rpm)	195 / 2000	266 / 2000
Compression ratio	21.9:1	20.0:1

Transmission

Type	Manual	Manual
Gear ratios:		
1st	4.250	4.250
2nd	2.356	2.356
3rd	1.428	1.428
4th	1.000	1.000
5th	0.827	0.827
Reverse	3.656	3.656
Final gear ratio (reduction gear)	3.909	4.444

Steering

Steering gear	Power-assisted	ball and nut
Minimum turning circle (kerb to kerb) (m)	12.0	12.6

Performance and Economy

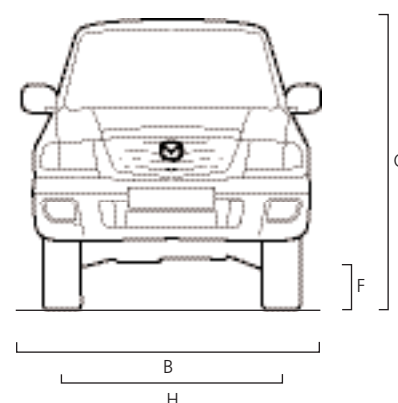
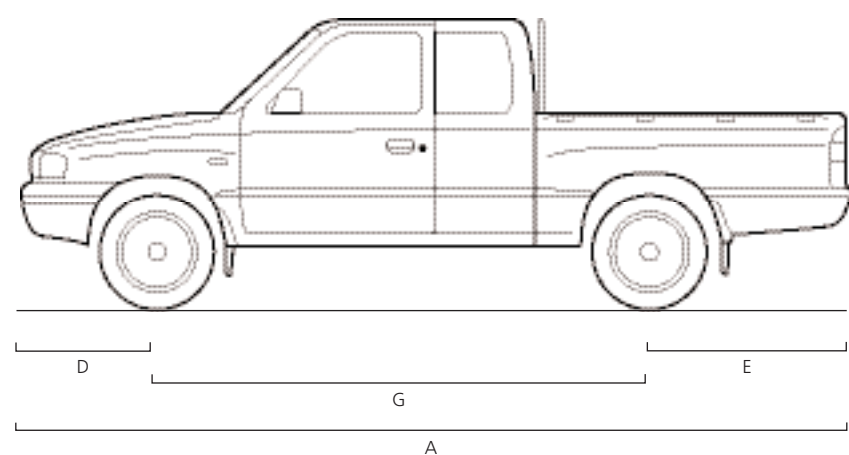
Acceleration (0-62mph in sec)	30.0	23.1
Top speed (mph)	87	91
Recommended fuel	Diesel (Cetane No. 50)	Diesel (Cetane No. 50)
Fuel tank capacity (litres):	Single Cab 70	70
	Double Cab -	70

- = Not available.

Technical Data.

Dimensions and Weights

	4x2 Single Cab	4x4 Single Cab	4x4 Double Cab	4x4 Double Cab Barracuda
A Overall length (mm)	5005	5005	5005	5005
B Overall width (mm)	1695	1695	1695	1880
C Overall height (mm)	1615	1740	1750	1760
D Front overhang (mm)	840	840	840	840
E Rear overhang (mm)	1180	1165	1165	1165
F Ground clearance between the axles – unladen (mm)	175	205	205	205
G Wheelbase (mm)	2985	3000	3000	3000
H Front track / Rear track (mm)	1405 / 1410	1425 / 1420	1425 / 1420	1475 / 1470
Cargo area (mm):				
Length (at floor)	2280	2280	1530	1530
Width (at floor)	1535	1535	1535	1535
Width between wheel arches	1090	1090	1090	1090
Brakes:				
Ventilated front disc diameter (mm)	256	289	289	289
Rear drum diameter (mm)	270	295	295	295
Permitted gross vehicle weight (kg)	2650	2845	2855	2855
Permitted axle load, front / rear (kg)	1000 / 1750	1170 / 1840	1170 / 1840	1170 / 1840
Payload (kg)	1200	1180	1125	1065
Towing limit (kg):				
Unbraked	750	750	750	750
Braked (12% gradient)	2000	2800	2800	2800
Kerb weight (kg) min. / max. incl. driver (75kg)	1450 / 1483	1665 / 1683	1695 / 1753	1695 / 1753



Equipment.

Safety and Security

	4x2 Single Cab	4x4 Single Cab	4x4 Double Cab	4x4 Double Cab Barracuda
Anti-lock Braking System (ABS)	m	m	m	m
Front wipers with intermittent wipe (fixed interval) and electric wash	1	1	1	1
Halogen complex reflector headlights with manual headlight levelling	1	1	1	1
Dual front airbags (driver and passenger)	1	1	1	1
Seatbelts:				
Front, two 3-point, 2-point centre seatbelt	1	–	–	–
Front, two 3-point	–	1	1	1
Rear, two 3-point, 2-point centre seatbelt	–	–	1	1
Central door locking	–	–	1	1
Remote keyless entry system (with 'jack-knife' type retractable key)	–	–	–	1
Immobiliser system	1	1	1	1

Exterior Features

Tyres and wheels:				
195R14 tyres on 14" steel wheels	1	–	–	–
205R16 tyres on 16" steel wheels	–	1	1	–
265R15 tyres on 15" alloy wheels	–	–	–	1
Full-size spare wheel	1	1	1	1
Grille:				
Black	1	1	1	1
Body colour	–	–	–	1
Bumpers:				
Grey (lower) and body colour (upper)	1	1	–	–
Body colour	–	–	1	–
Body colour (lower) and chrome (upper)	–	–	–	1
Chrome-finish door and tailgate handles	–	–	–	1
Door mirrors:				
Manually-operated, black housings	1	1	–	–
Power-operated, black housings	–	–	1	–
Power-operated, chrome housings	–	–	–	1
Mica / Metallic paint	m	m	m	1
Wheel arch mouldings: In body colour	–	–	–	1
Mudflaps:				
Front	–	1	1	–
Rear	1	1	1	–
Loadrest on cargo box	1	1	–	–
Outer rope hooks on cargo box	1	1	–	–
Inner rope hooks on cargo box	–	–	1	1

1= Standard
m = Option, at extra cost
– = Not available.

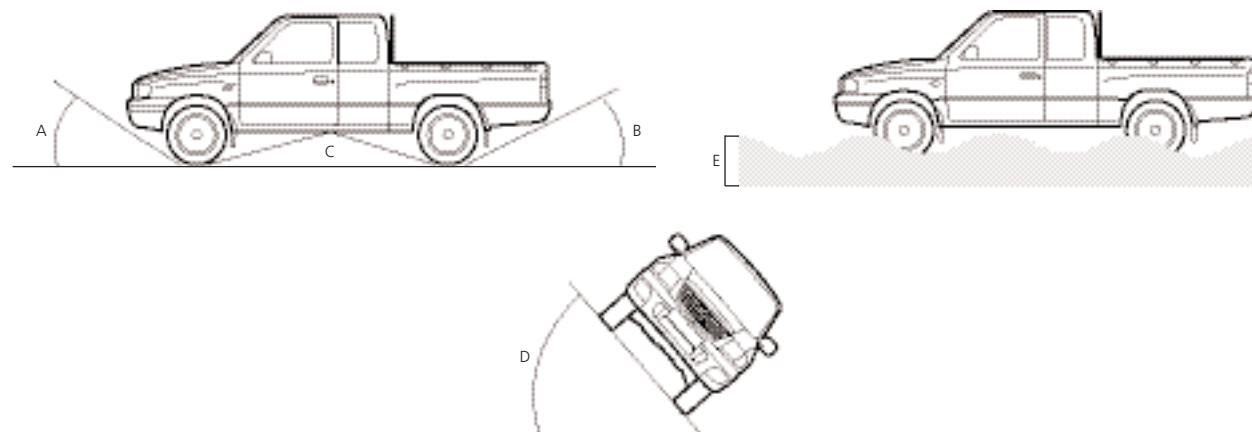
Equipment.

Interior Features		4x2 Single Cab	4x4 Single Cab	4x4 Double Cab	4x4 Double Cab Barracuda
Front seats:	Two separate seats	1	1	1	1
Rear seats:	Double fold-down backrest and bench	-	-	1	1
	Height-adjustable headrests	-	-	1	1
Seat trim:	Cloth	1	1	1	-
	Velour	-	-	-	m
Power steering		1	1	1	1
Tilt-adjust steering wheel		1	1	1	1
Grab handles:	Passenger side	1	1	1	1
Audio:	Two speakers	1	1	1	-
	Four speakers	-	-	-	1
Air conditioning		-	1	1	1
Windows:	Power-operated front with driver's one-touch lowering	-	-	1	1
	Power-operated rear	-	-	1	1
Centre storage, floor-mounted with cup holders		-	-	1	1
Further storage spaces:	Centre console with storage box	-	-	1	-
	Centre console with storage box, tray and triple cup holder	-	-	-	1
Header-mounted courtesy light		1	1	1	1
Sunvisors:	Driver's	1	1	1	1
	Front passenger's	1	1	1	1

Manoeuvrability

A	Angle of approach (unladen)	25°	35°	35°	34°
B	Angle of departure	26°	28°	28°	27°
	To exhaust pipe (unladen):	21°	-	-	-
	With rear fog light	-	23°	23°	23°
C	Ramp breakover angle (unladen)	21°	29°	29°	28°
	With rear protector bumper	-	23°	23°	23°
D	Tilt angle (unladen)	49°	49°	49°	47°
E	Wading depth (mm)	300	450	450	450

1= Standard.
m = Optional, at no extra cost.
- = Not available.



Colours and Seat Trims.

Model Cab		4x2 Single Cab	4x4 Single Cab	4x4 Double Cab	4x4 Double Cab Barracuda
Seat trim:	Medium Grey cloth	1	1	1	-
	Dark Grey velour	-	-	-	1
	Dark Grey leather**	-	-	-	m

Solid Body Colours

Cool White (A2W)	1	1	1	-
------------------	---	---	---	---

Mica and Metallic Body Colours*

Black Mica (16W)	m	m	m	1
Titanium Grey Metallic (30B)	-	-	-	1
Blue Pacific Mica (30D)	m	m	m	1
Champagne Silver Mica (30V)	m	m	m	1

1= Combination available.
m = Option, at extra cost.
- = Combination not available.
* Option, at extra cost with the exception of Barracuda which includes free of charge metallic paint.
** Option, at extra cost. Only available on 4x4 Double Cab Barracuda.



Medium Grey cloth



Dark Grey velour



Dark Grey leather**



Cool White (A2W)



Black Mica (16W)*



Titanium Grey Metallic (30B)*
(available on 4x4 Double Cab
Barracuda only)



Blue Pacific Mica (30D)*



Champagne Silver Mica (30V)*