



Mazda RX-8

Vehicle specifications.



ZOOM-ZOOM

Mechanical Features.

Engines:

- RENESIS rotary engine available with either 192ps or 231ps
- Two 654cc rotor units
- 3-way catalytic converter with feedback loop
- Multi side port with side intake, side exhaust configuration
- Ignition system: Distributor-less
- Recommended fuel: Unleaded fuel (min 95 RON)
- Alternator: 12-100A
- Starter: 12V, 1.4 kW
- Battery: 12V 70AH DIN 57029
- Emissions Standard Euro IV

Body:

- Light, highly rigid dedicated sports car platform for superior sports handling and driving dynamics
- High-tensile steel reinforcing members in front and rear doors for side-impact protection
- 'Freestyle' door system for increased access to interior cabin
- Use of aluminium construction for reduced bodyweight

Powertrain:

- Clutch type: Single dry plate
- Transmission: 5MT for 192ps version, 6MT for 231ps version
- Super LSD limited-slip differential for maximum traction
- Rear-wheel drive

Chassis and Suspension:

- Double-wishbone front suspension
- Multi-link (five-link) rear suspension
- Shock absorber type: Telescopic, oil and gas filled
- Sports suspension

Steering:

- Electric power steering: Engine speed sensing
- Type: Rack and pinion
- Steering gear ratio: 16.43
- Turns, lock-to-lock: 2.99
- Min. turning circle: Kerb-to-kerb 5.3m, wall-to-wall 5.6m

Brake System:

- Anti-lock Braking System (ABS) with Electronic Brake-force Distribution (EBD)
- Front and rear: Ventilated discs
- Mechanical parking brake acting on rear wheels

Safety:

- Dynamic Stability Control (DSC)
- Traction Control System (TCS)
- Front, side SRS and curtain airbags
- Mazda Advanced Impact Distribution and Absorption System (MAIDAS)
- Integrated B-pillar in reinforced rear doors



Technical Data.

Dimensions and Weights

	Mazda RX-8 (190)	Mazda RX-8 (230)
Wheel size	18x8JJ	18x8JJ
Tyre size	225 / 45 R18	225 / 45 R18
Overall length with licence plate holder / width / height unladen (mm)	4430 / 1770 / 1340	4430 / 1770 / 1340
Unladen ground clearance (mm) between the axles	140	140
Front track / Rear track (mm)	1500 / 1505	1500 / 1505
Wheelbase (mm)	2700	2700
Front headroom / leg room / shoulder room (mm) (without sunroof)	970 / 1084 / 1393	970 / 1084 / 1393
Front headroom / leg room / shoulder room (mm) (with sunroof)	932 / 1084 / 1393	932 / 1084 / 1393
Rear headroom / leg room / shoulder room (mm) (without sunroof)	935 / 817 / 1395	935 / 817 / 1395
Rear headroom / leg room / shoulder room (mm) (with sunroof)	927 / 817 / 1395	927 / 817 / 1395
Cargo area volume, according to VDA (l) (accommodates full set of golf clubs)	290	290
Ventilated front disc diameter (mm)	323	323
Ventilated rear disc diameter (mm)	302	302
Kerb weight without driver (kg)	1373 (max)	1380 (max)
Permitted gross vehicle weight (kg)	1820	1815
Towing limit (kg)		
Unbraked	695	695
Braked (12% gradient)	1200	1200
Maximum roof load (kg)	75	75
Engine oil capacity (l)	6.1	6.9
Coolant capacity (l)	8.7	8.7
Fuel tank capacity (l)	61	61

Engine

Displacement (cc)	2 x 654	2 x 654
Maximum output [ps (KW) @ rpm]	192 (141) @ 7000	231 (170) @ 8200
Maximum torque (Nm / rpm)	220 / 5000	211 / 5500
Compression ratio	10:1	10:1
Redline (rpm)	7500	9000

Transmission

Gear ratios:	1st	3.483	3.760
	2nd	2.015	2.269
	3rd	1.484	1.645
	4th	1.000	1.187
	5th	0.762	1.000
	6th	–	0.843
	Reverse	3.288	3.564
Final gear ratio	4.444	4.444	

Performance and Economy

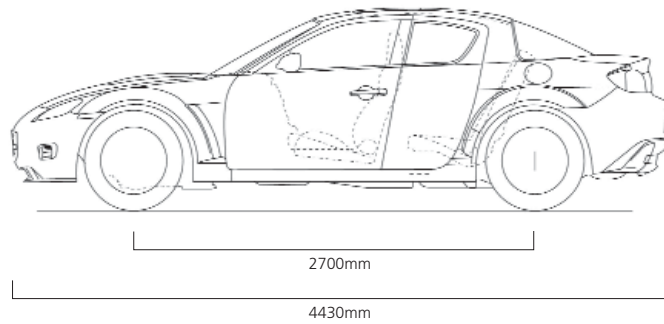
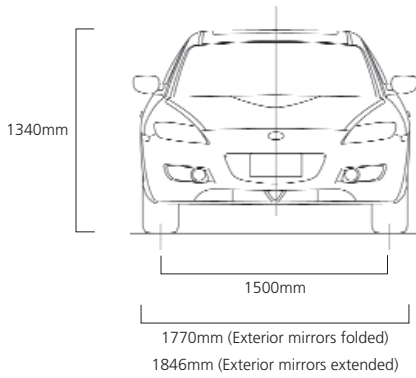
Acceleration (0-62mph in sec)	7.2	6.4	
Top speed (mph)	139	146	
Fuel consumption ¹⁾ [mpg (l/100km)]	Urban	19.0 (14.9)	18.1 (15.6)
	Extra Urban	34.9 (8.1)	32.5 (8.7)
	Combined	26.7 (10.6)	25.2 (11.2)
CO ₂ emissions ¹⁾ (g/km)	267	284	
Stopping distance [(m) 62-0mph]	36	36	
Coefficient of drag (CD)	0.30	0.30	

¹⁾Fuel consumption and CO₂ emission values according to 80/1268 EWG (1999/100/EC).

Equipment.

Safety and Security

	Mazda RX-8 (190)	Mazda RX-8 (230)
4-wheel disc brakes (front and rear ventilated)	●	●
Anti-lock Braking System (ABS) with Electronic Brake-force Distribution (EBD)	●	●
Dynamic Stability Control (DSC)	●	●
Traction Control System (TCS)	●	●
Super LSD (limited-slip differential)	●	●
Dual-stage front airbags	●	●
Side airbags (front and rear)	●	●
Curtain airbags (front and rear)	●	●
Passenger airbag deactivation system	●	●
Intrusion-minimising brake pedal	●	●
Front seat belt pre-tensioners and load limiters	●	●
ISOFIX child seat anchorages on rear seats	●	●
Thatcham Category 1 alarm (with intruder sensor) and immobiliser	●	●
Remote central door locking with deadlocking	●	●



Exterior

		Mazda RX-8 (190)	Mazda RX-8 (230)
Tyres and wheels:	225/45 R18 with 18x8JJ aluminium wheels	●	●
	Emergency tyre repair kit (in lieu of spare wheel)	●	●
Rear quarter windows:	Flip open	●	●
Rear heated glass window		●	●
Headlights:	Halogen	●	–
	Xenon	–	●
Headlight levelling:	Manual	●	–
	Automatic	–	●
Headlight washer jets		–	●
Rear brake light, high-mounted, rear fog light		●	●
Front fog lights		●	●
Electric heated door mirrors, body colour housings, driver's wide angle with 'puddle' lights		●	●
Bumper, front and rear: Body colour		●	●
Doors: 'Freestyle' door system		●	●
Door outer handle: Body colour		●	●
Scuff plates: Aluminium		●	●
Rear lip spoiler		●	●
Sunroof, electric tilt and slide		○	○
Body colour fuel filler cap		●	●

- = Standard;
- = Option, at extra cost;
- = Not available



Comfort and Convenience

	Mazda RX-8 (190)	Mazda RX-8 (230)
Electric power steering	●	●
Electric windows with one-touch auto down on driver's side	●	●
Air conditioning: Climate control	●	●
Footrest (driver's side)	●	–
Footrest, aluminium (driver's side)	–	●
Aluminium pedal set	–	●
Sunvisors, with illuminated vanity mirrors	●	●
Boot lid, remote opening (electric)	●	●
Fuel cap, remote opening (cable)	●	●
Remote central door locking	●	●

Interior Features

Seats and integral head restraint:	Front, bucket seats with integral head restraints	●	●
	Driver's, dial reclining and height adjustment	●	●
	Cloth, black ²⁾	●	●
	Leather upholstery ²⁾ leather option includes driver's power seat, front heated seats and leather upholstery	○	○
	Rear seats, 'boot through' box in centre	●	●
Steering wheel:	Leather-wrapped with tilt adjustment	●	●
Shift knob:	Leather-wrapped with aluminium insert	●	●
Door inner handles:	Front, chromed. Rear, black	●	●
Instrumentation:	Tachometer, digital speedometer, fuel gauge, engine oil-pressure gauge, water temperature gauge, metallic meter rings, digital exterior temperature indicator	●	●
Warning lights:	Brake system, charging system, SRS, ABS, passenger airbag deactivation system, immobiliser, oil low, seat belt reminder, fuel low	●	●
Panel light control with dimmer		●	●
Headlight On reminder (sound warning)		●	●
Audio:	Premium Bose audio with 6-CD autochanger, AM/FM radio and nine speakers	●	●
	DVD satellite navigation system (available with leather option only)	○	○
Antenna:	Rear window	●	●
Digital clock		●	●
Centre console:	Front and rear	●	●
Interior light, dome with integral spotlight		●	●
Courtesy lights, front doors		●	●
Luggage compartment light		●	●
Inner mirror (day/night)		●	●
Storage space:	Glovebox, lockable with illumination	●	●
	Seat-back pocket (passenger's side)	●	●
	Rear console box with lid	●	●
	Door pockets (front)	●	●
Wiper, 2-speed with intermittent wipe and wash		●	●
Electric horn		●	●
Cigar lighter and illuminated front ashtray		●	●
Grab handle, front passenger's		●	●
Cup holders, two front and two rear		●	●
Heater controls, power-operated		●	●
Heater ducts, rear		●	●
Pollen filter		●	●

²⁾ See Colours and Seat Trims availability on page 7.

● = Standard;

○ = Option, at extra cost;

– = Not available

Colours and Seat Trims.

Trim	Black cloth	Black leather*	Red/ Black leather*
Environment Colour	Black	Black	Black

Solid Body Colours

Brilliant Black (A3F)	●	●	●
-----------------------	---	---	---

Metallic/Mica Body Colours*

Strato Blue Mica (25E)	●	●	–
Velocity Red Mica (27A)	●	●	●
Nordic Green Mica (27C)	●	●	–
Titanium Grey Mica (29Y)	●	●	–
Winning Blue Metallic (27B)	●	●	–
Sunlight Silver Metallic (22V)	●	●	–

*Metallic/Mica paint and leather upholstery are options at extra cost.

● = Available;
– = Not available



Black cloth

Red/Black leather*
Black leather*



(A3F)
Brilliant Black



(25E)
Strato Blue Mica*



(27A)
Velocity Red Mica*



(27C)
Nordic Green Mica*



(29Y)
Titanium Grey Mica*



(27B)
Winning Blue Metallic*



(22V)
Sunlight Silver Metallic*





Mazda Products and Services.

Warranty Plus – 3-Year Cover.

Every Mazda is designed and built to the highest standards of performance, comfort and reliability. For your further reassurance, Mazda also provides a full 3-year / 60,000-mile¹ warranty cover including Mazda European Assistance and a 12-year anti-perforation warranty.

¹ There is no mileage limit during the first year of the warranty.

Mazda Momentum – New Vehicle Extended Warranty.

At any time during the manufacturer's warranty period you may purchase a Mazda Momentum extended warranty package.

Three options are available. Your Mazda dealer will be pleased to provide you with details.

Accessories.

There is a full range of Mazda genuine accessories for each Mazda model. For more information, contact your Mazda dealer.

Mazda Credit.

Mazda Credit* provides a comprehensive range of finance plans which include:

Mazda MultiOption – A flexible and cost-effective method of funding a Mazda.

Mazda Hire Purchase – A simple, straightforward and traditional funding plan.

Mazda Business Partner – A range of finance solutions for business customers.

Mazda Insurance.

Mazda Insurance offers a range of motor-related insurance products to protect you and your car.

For total motoring peace of mind, please ask your Mazda dealer for details.

Tax-Free Personal Export, Diplomatic and Military Sales.

Significant savings are available for those who qualify, with schemes tailored to suit individual needs.

For further information, contact your Mazda dealer or contact Mazda Tax Free Sales on 01932 335132.

Motability.

For all Motability enquiries, please contact Mazda on 08457 48 48 48.

Your Mazda dealer:

Mazda Motors UK Limited reserves the right to introduce changes in specification and equipment due to its ongoing product development. Colour and trim samples shown in this brochure may vary from the actual colours because of the limitations of the printing process. It is recommended that you consult your Mazda dealer when referring to these.

*Finance subject to status. Guarantees / Indemnities may be required.

Written quotations: Mazda Credit UK, Central Office, Eagle Way, Brentwood, Essex CM13 3AR

November 2004.

Internet: www.mazda.co.uk

Mazda Helpline: 08457 48 48 48