



The new Audi TT RS
Pricing and Specification Guide
Valid from June 2009

Personalising your Audi TT RS

This guide has been designed to help you tailor and price your Audi TT RS quickly and logically. At the back, you will also find information on CO₂ emissions-based vehicle excise duty and other services offered by Audi, including Finance and Insurance.

The Audi TT RS

quattro®	8
Engine	10
Transmission and brakes	11
Efficiency	12

Model details and prices

Standard model equipment	14
Standard model prices	16

Audi exclusive

Audi exclusive	18
----------------	----

Colour and upholstery

Paint finishes	20
Upholstery options	22
Colour and trim guide	24
Inlays	25

Options

Wheels, tyres and suspension	26
Seats	28
Performance	28
Audio and communication	30
Safety and security	32
Interior equipment	33
Exterior equipment	34
Steering wheels and controls pack	35

Technical details

Technical data	36
Dimensions	38
Additional information	40





Vorsprung durch Technik.

Three words that express the very essence of Audi. Vorsprung durch Technik isn't a slogan. It's our way of seeing the world. It is the driving force behind our history of innovation that continues into the 21st century. Indeed, many technologies that Audi pioneered remain in our cars today. Some are milestones in the history of the motorcar.

From our beginnings in 1899, to the Auto Union team's Grand Prix successes in the 1930s and our more recent wins at Le Mans, we have always been at the forefront of the motor industry.

Vorsprung durch Technik makes us who we are. To see more of its influence, just read on.

The Audi TT RS continues our proud history of innovation.

The TT RS has a turbocharged 2.5-litre TFSI engine that produces 340PS and 450 Nm of torque – making it the most powerful TT we've ever produced. Lowered suspension and special spring/damper settings provide outstanding handling, and advanced aerodynamics ensure precise stability at all times. A high-performance chassis and quattro® permanent all-wheel-drive complete this exhilarating sports car.

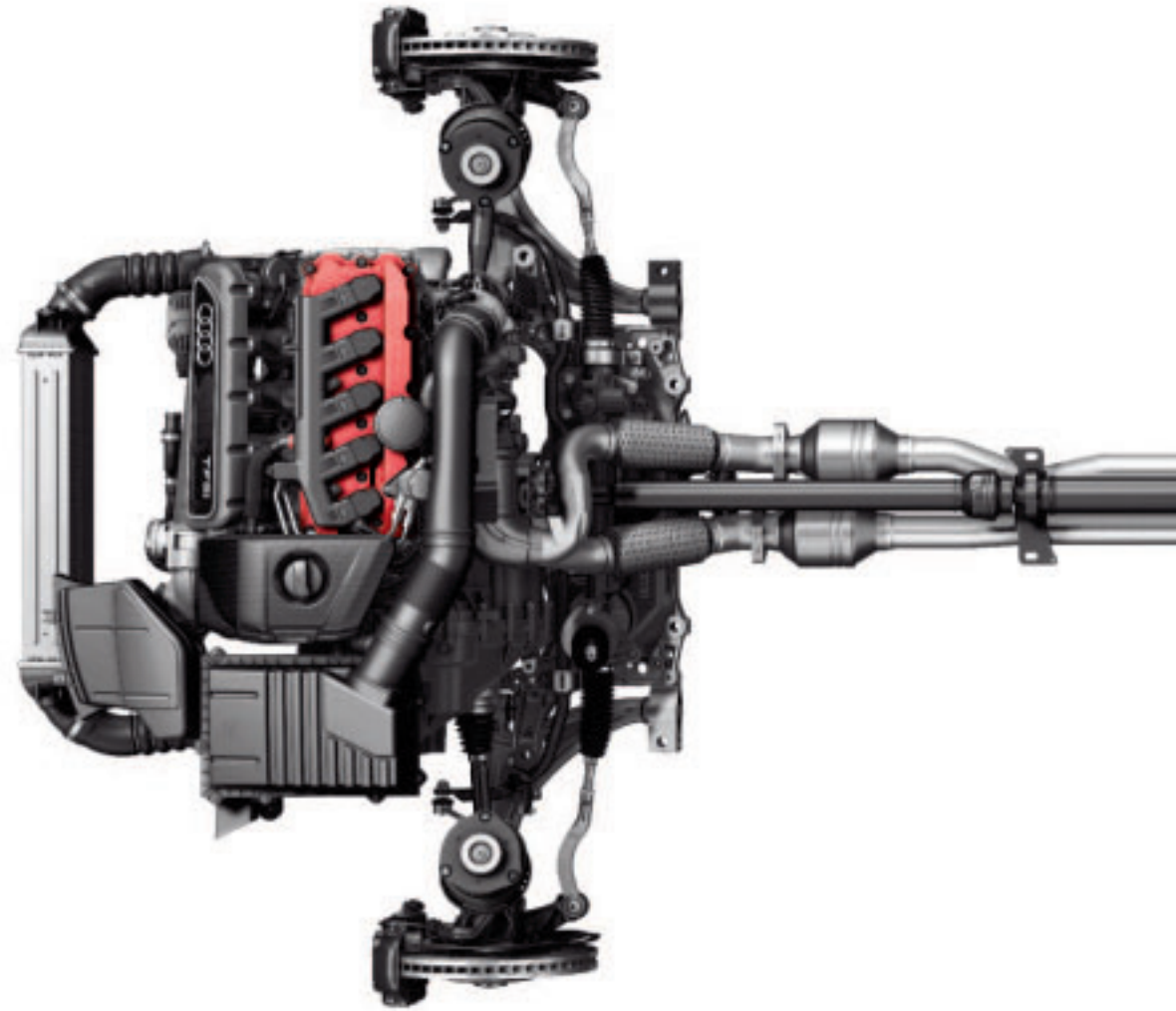


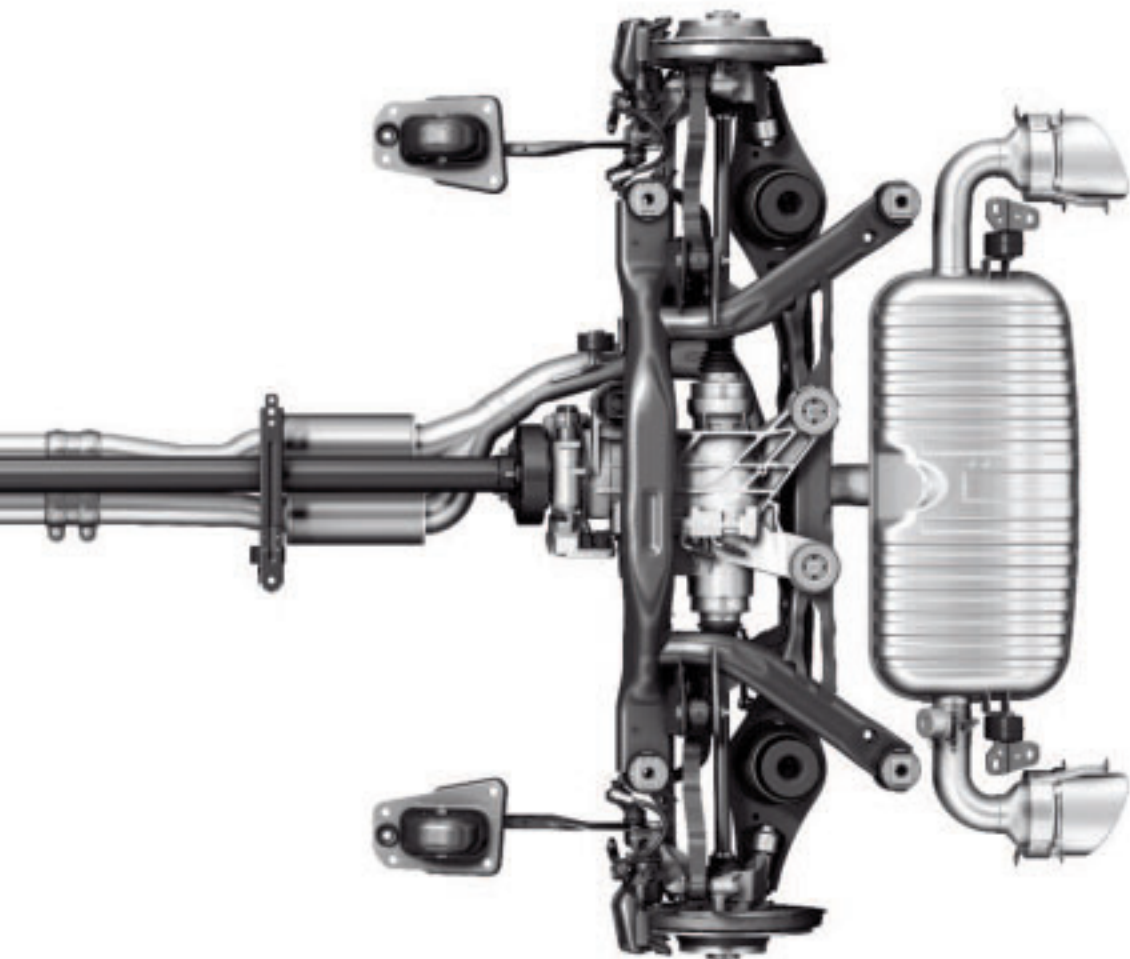


quattro®

The latest generation of the tried and tested quattro® permanent all-wheel-drive system has been adapted for an even better response to different driving situations.

The varying speeds of the front and rear wheels are balanced swiftly and precisely and the control electronics of the electro-hydraulic multi-plate clutch take into account the various driving conditions.





There's direct drive for the front wheels via a differential gear and the multi-plate clutch controls the torque for the rear wheels. The map control for the multi-plate clutch allows extremely fast torque build-up, ensuring stability in bends and when driving in a straight line.

The 5-cylinder powerplant in the TT RS delivers enormous power and a reinforced drivetrain features a new 6-speed, close-ratio, manual gearbox. All of these technologies combined make driving the TT RS an exhilarating experience.

Engine

2.5 TFSI engine

The five-cylinder engine combines a turbocharger with FSI direct petrol injection, confirming the status of the TT RS as a high-performance sports car. The 2.5-litre TFSI engine is ultra-compact. Just 49 centimetres in length, and weighing 183 kilograms, it's perfectly suited for transverse installation in the TT RS. The crankcase is made of vermicular-graphite cast iron and this high-tech material is both strong and lightweight. Perfectly placed reinforcements enhance the block's loading, while the cylinder head, pistons, and connecting rods are also lightweight yet extremely strong.





Transmission and brakes

The TT RS offers a fast-shifting manual transmission for smooth, efficient acceleration and a high-performance braking system to ensure this car stops as well as it goes.

Short-shift manual transmission

For fast, crisp gear changes in a sporty, manual set-up, the TT RS comes with short-shift manual transmission as standard. This simple yet effective gear-change pattern means that the gearstick has a shorter distance to travel between each shift-gate, minimising the effort you have to make with each up or down-shift, whilst maximising your driving enjoyment.

High-performance braking system

We created the 18-inch high-performance braking system in the TT RS with safety and control in mind. It features four-piston brake callipers painted in black with the RS logo on the front axle, as well as ventilated brake discs (370mm in diameter) at the front, drilled and designed using composite materials. All these features help the system to provide good stability even when the car's carrying a heavy load.

Efficiency

At Audi, doing less is something we're trying to do more of. We're working to use less fuel, release less CO₂ and waste less energy. It's why we've incorporated a number of more efficient technologies into the TT RS.

Aerodynamics

When it comes to efficiency, a car's shape matters. It's something we kept in mind when we created the TT RS, giving it a smooth, flowing design. As a result, its drag coefficient – a measure of aerodynamic resistance, which affects both fuel consumption and CO₂ emissions – remains surprisingly low.





Gear change indicator

Small changes to your driving style can also have a big impact on your fuel economy. The gear-change indicator in the TT RS is there to indicate the optimum gear to use for any given speed, encouraging early upshifts to ensure you don't burn more fuel than is necessary.

Audi Space Frame®

The TT RS features an aluminium Audi Space Frame® which is rigid, strong and incredibly light - keeping the car's weight down to a minimum. It means that as well as improving safety and agility, it also helps fuel consumption.

Standard model equipment

All TT RS models have the following items of standard equipment

Wheels, tyres and suspension

18" '5-double-spoke' design alloy wheels
TT RS Sports suspension with dynamically tuned spring/damper combination and modified responsiveness
Tyre Mobility System

Seats

Sports seats in Silk Nappa leather with contrasting stitching
Heated seats

Audio and communication

Concert audio system – MP3 file-compatible single CD player and radio with 9 loudspeakers (140-Watt) and 5-channel amplifier including AUX-IN socket

Safety and security

TT RS 18" high-performance braking system. Diagonally split, anti-lock (ABS) with electronic brake-force distribution (EBS), hydraulic brake

assist, adapted brake booster characteristics, front brake discs in composite design, ventilated rear discs, black painted brake callipers (ventilated and drilled), with RS logo on front callipers

Anti-lock Braking System (ABS)

Anti-Slip Regulation (ASR) – traction control

Anti-theft device – Thatcham Category 1 approved

Driver and front passenger airbags

Electronic Differential Lock (EDL) – traction control

Electronic Stability Programme (ESP) – with Sport mode

First-aid kit

Front ISOFIX and front passenger airbag deactivation switch

Locking wheel bolts

Roll-over protection hoops (Roadster only)

Servotronic – electromechanical, speed-sensitive, power-assisted steering

Side airbags for front seats

Tool kit and car jack

Warning triangle

Exterior equipment

Door mirrors – electrically operated and heated

Electric front windows

Fixed rear spoiler

Grille in high-gloss black diamond design with one-piece decorative trim frame in matt aluminium look

Matt aluminium-look door mirror housings

Rear fog lights

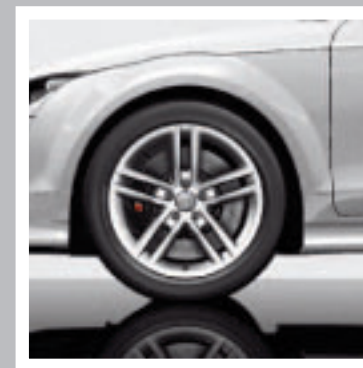
Scuff plates with TT RS logo

Sill extensions

TT RS front and rear bumpers

Twin oval exhaust tailpipe

Xenon Plus headlights with LED daytime-running lights and headlight washer system



Interior equipment

Matt-brushed aluminium interior detailing

Black perforated leather handbrake grip, centre console armrest in Fine Nappa leather with contrasting stitching, door handles in Fine Nappa leather

Driver's Information System (DIS) with additional functionality: oil pressure, lap timer and turbo boost pressure

Electronic climate control

Extended leather package – black with silver stitching

Front floor mats with leather Silver piping to match seat centres

Fully automatic electrically-operated soft-top which opens in 12 seconds, with integrated wind deflector (Roadster only)

Instrument dials in grey with white illumination and TT RS logo

Perforated leather and aluminium gear knob with TT RS logo

Short-shift manual gearbox

TT RS multi-function, 3-spoke, perforated leather 'flat-bottomed' steering wheel with TT RS badge

Sport button in the centre console – pressing the button alters the throttle response and exhaust valve control, which in turn alters the exhaust note, as well as changing the damper characteristics of Audi magnetic ride (if ordered) for more dynamic suspension tuning

Split-folding rear seat (Coupé only)



Audi TT RS Coupé

Engines	Power	Transmission	Basic RRP	TOTAL RRP inc VAT	Recommended OTR
2.5 TFSI quattro®	340PS	6-speed manual	£36,652.17	£42,150.00	£42,985.00

Audi TT RS Roadster

Engines	Power	Transmission	Basic RRP	TOTAL RRP inc VAT	Recommended OTR
2.5 TFSI quattro®	340PS	6-speed manual	£38,304.35	£44,050.00	£44,885.00

Please note: The maximum power output figures are quoted in PS (or Pferdestärke, which is the metric equivalent of brake horsepower). To convert to brake horsepower, divide the PS figure by 1.0139.

Recommended On-The-Road (OTR) retail prices include: delivery charge, half a tank of fuel, number plates at £565.00 (inc. VAT), Road Fund Licence (which may vary depending on model/transmission – see page 41 for details) and first registration fee at £55.00.

RRP – Recommended Retail Price.





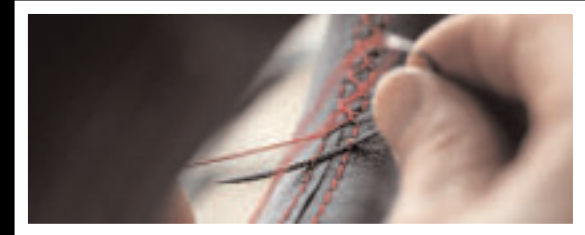
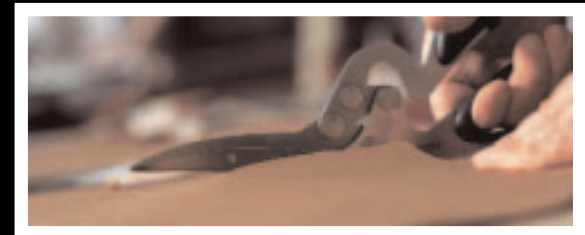
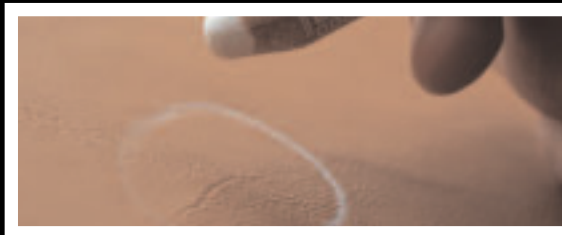
Audi exclusive



Audi exclusive

Every Audi is intrinsically exclusive. It's the breathtaking design, the exceptional engineering, the Vorsprung durch Technik. But for that added element of exclusivity you can specify your new TT RS with options from Audi exclusive. Whether you want a completely unique, custom-mixed paint colour or seats in a combination of complementary shades, Audi exclusive will enable you to drive the car you've always imagined.

Both the exclusive and standard options can be found on the following pages.



Paint

Standard and optional colours

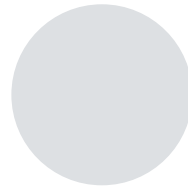
You can select the standard Ibis white colour shown opposite or, for a different look, choose from the huge range of optional finishes.

Standard colour

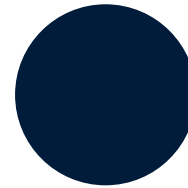


Ibis white – T9

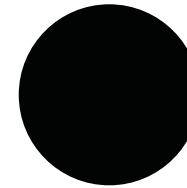
Optional colours



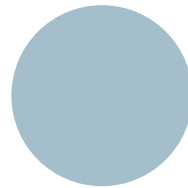
Suzuka grey, metallic – M1



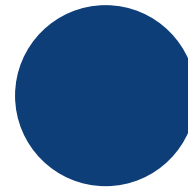
Mugello blue, pearl effect – 5W



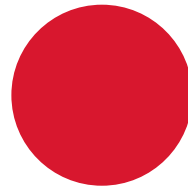
Daytona grey, pearl effect – 6Y



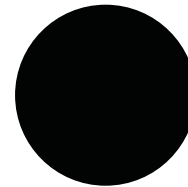
Monza silver, metallic – U7



Sepang blue, metallic – E9



Misano red, pearl effect – N9



Phantom black, pearl effect – L8

Options are subject to availability and may extend delivery.

All the colour swatches on this page are matched as accurately as possible to the actual paint colours used. However, due to print processes, Audi UK cannot guarantee that colours shown are 100% accurate.

Visit your local Audi Centre for a more accurate colour swatch.

Optional colours

Basic RRP
£426.09

Total RRP inc VAT
£490.00

Hood colours



Black hood - PA

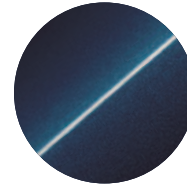


Dark grey hood - SW

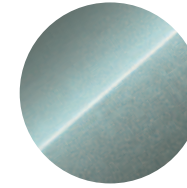
Paint

Audi exclusive and customised

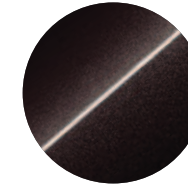
Everyone has a favourite colour. No matter what yours is, Audi exclusive provides a range of unique colours that have been designed to set your car apart. Choose from the swatches here, or specify any other paint colour in the Audi range - whether it's Jet blue from the Audi R8 or Alpine white from the original Audi quattro®. The choice is yours.



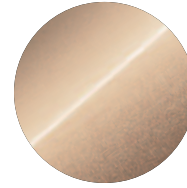
Palace blue, pearl effect



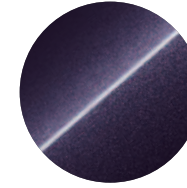
Morning dew, metallic



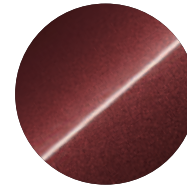
Saddle brown, pearl effect



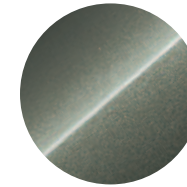
Sand beige, pearl effect



Velvet purple, pearl effect



Classic red, pearl effect



Oak green, metallic



Customised paint

Audi exclusive

Basic RRP
£1,447.83

Total RRP inc VAT
£1,665.00

Customised

Basic RRP
£1,652.17

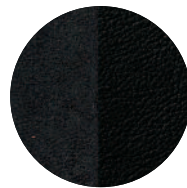
Total RRP inc VAT
£1,900.00

Upholstery

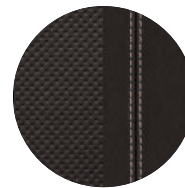
Seats

Choose your favourite upholstery from the swatches shown opposite to give your car's interior the look and feel you want.

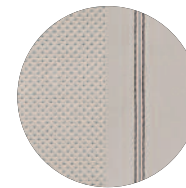
	TT RS	Basic RRP	Total RRP inc VAT
Alcantara leather (available in black with silver stitching)	●	No charge	No charge
Silk Nappa leather Sports seats , front Sports seats with shaped seat bolsters for better lateral support when cornering, manual forwards/backwards, head restraint and back angle adjustment, with adjustable seat height for both driver and front passenger. (Available in black with silver stitching or silver with black stitching)	S	No charge	No charge



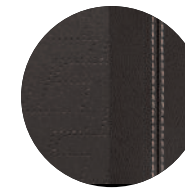
Alcantara leather
Black - ZM



Silk Nappa leather
Black - ZM



Silk Nappa leather
Silver - UC



Fine Nappa leather
Black - ZM

Options are subject to availability and may extend delivery.
 - = Not available
 ● = Available
 S = Standard

All leather upholstery choices include seats, head restraints and door inserts in leather.

Upholstery

Audi exclusive

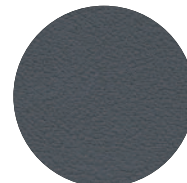
With Audi exclusive, you can choose between Fine Nappa leather and Alcantara, depending on the texture and flexibility you prefer in your car's upholstery. And once that's decided, you can specify your seats in an array of different colours shown here. Whatever combination you decide upon, we think you'll be extremely comfortable with the result.

Options are subject to availability and may extend delivery.
 - = Not available
 • = Available
 S = Standard

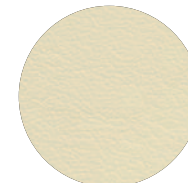
Order code		TT RS	Basic RRP	Total RRP inc VAT
PYA S3G	Audi exclusive Fine Nappa leather – seat upholstery and door panel inserts in leather, floor mats with leather piping	•	£1,304.35	£1,500.00



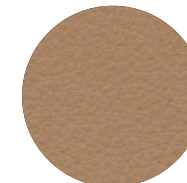
Chestnut brown



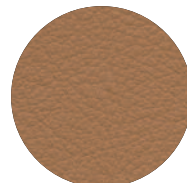
Jet grey



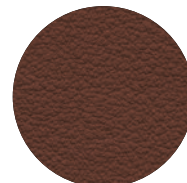
Alabaster white



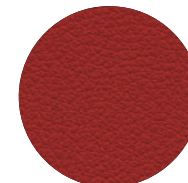
Sand beige



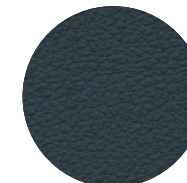
Cocos



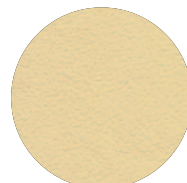
Saddle brown



Crimson red



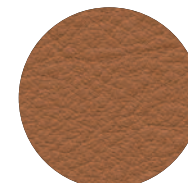
Palace blue



Magnolia



Havanna brown



Cognac

Colour and trim guide

Interior trim colours

To help you choose the right interior for your new TT RS, please use this guide, showing the carpet, dashboard and headlining colours that have been matched to your chosen upholstery.

Coupé

Order code	Upholstery	Carpet	Dashboard (upper/lower)	Headlining	Leather/Alcantara (N7S)	Silk Nappa leather (N5T)	Fine Nappa leather (N3Q)
ZM	Black with silver stitching	Black	Black	Black	●	●	●
UC	Silver with black stitching	Black	Black	Black	-	●	-

Roadster

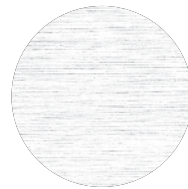
Order code	Upholstery	Carpet	Dashboard (upper/lower)	Headlining	Leather/Alcantara (N7S)	Silk Nappa leather (N5T)	Fine Nappa leather (N3Q)
ZM	Black with silver stitching	Black	Black	Black	●	●	●
UC	Silver with black stitching	Black	Black	Black	-	●	-

Options are subject to availability and may extend delivery.
 - = Not available
 ● = Available

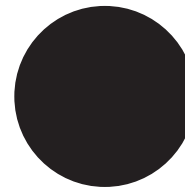
Inlays

Inlays are the all-important finishing touch that add flair and interest to your car's interior, available in a variety of textures and finishes.

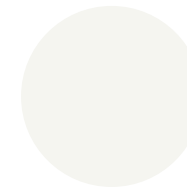
Order code		TT RS	Basic RRP	Total RRP inc VAT
STG	Matt-brushed aluminium	S	No charge	No charge
YUV	Phantom black	•	£517.39	£595.00
YUU	Ibis white	•	£517.39	£595.00



Matt-brushed aluminium – **STG**



Phantom black – **YUV**



Ibis white – **YUU**

Options are subject to availability and may extend delivery.

- = Not available

• = Available

S = Standard

Wheels, tyres and suspension

Choose a set of specially selected low-profile alloy wheels to subtly enhance the way your car looks and drives. You can also specify Audi magnetic ride: a suspension system where the damping force can be adjusted at the touch of a button.



18 x 9J '5-double-spoke' design
alloy wheels - C3D



19 x 9J '5-arm rotor' design
alloy wheels - PQW



19 x 9J '5-arm rotor' titanium-look design
alloy wheels - PQU

Options are subject to availability
and may extend delivery.

- = Not available
• = Available
S = Standard

Order code		TT RS	Basic RRP	Total RRP inc VAT
C3D	18 x 9J '5-double-spoke' design alloy wheels with 245/40 R18 tyres	S	No charge	No charge
PQW	19 x 9J '5-arm rotor' design alloy wheels with 255/35 R19 tyres	●	£1,043.48	£1,200.00
PQU	19 x 9J '5-arm rotor' design titanium-look alloy wheels with 255/35 R19 tyres	●	£1,130.43	£1,300.00
1BQ	Audi magnetic ride. Adaptive suspension system with two selectable modes (Normal or Sport). Sensors in the car monitor the road conditions and adjust the dampening effect by varying a magnetic charge which passes through a fluid-based shock absorber for improved road handling, outstanding chassis control and excellent driving comfort	●	£978.26	£1,125.00

Seats

From dynamic bucket seats to supportive electrically-adjustable options, choose precisely the seats that suit you.

Order code		TT RS	Basic RRP	Total RRP inc VAT
7P1	Electric lumbar support for front seats, 4-way adjustment (cannot be ordered with RS bucket seats)	●	£160.87	£185.00
PV1	Electric seat adjustment for front seats (cannot be ordered with RS bucket seats)	●	£617.39	£710.00

Performance

Tailor your car's performance with these exclusive features.

Order code		TT RS	Basic RRP	Total RRP inc VAT
OP6	Sports exhaust. Oval-shaped dual exhaust pipes in Matt black which subtly alter the sound of the TT RS engine	●	£793.13	£850.00
PQQ	Top speed restricted to 174mph , including carbon design pack for engine bay	●	£1,130.43	£1,300.00

Options are subject to availability and may extend delivery.
 -- = Not available
 ● = Available
 S = Standard



TT RS bucket seats in Fine Nappa leather



Audio and communication

Stay in touch using our range of communication functions, and give each journey its own soundtrack with our advanced audio equipment.

Options are subject to availability and may extend delivery.

-- = Not available
• = Available
S = Standard

Order code		TT RS	Basic RRP	Total RRP inc VAT
UF7	Audi Music Interface (AMI) , for connecting generation 4 and higher Apple iPods (iPod mini, iPod nano, iPod photo, iPod video), and USB storage media and MP3 players (USB 2.0 only); operated via Satellite Navigation system Plus or multi-function steering wheel. The AMI is located in the glovebox compartment and includes connection cables. Can only be ordered in conjunction with Satellite Navigation system Plus. Not available in conjunction with CD changer	•	£213.04	£245.00
RSL	Symphony radio . AM/FM twin tuner with TP memo function. Front-loading 6-CD changer with MP3 compatibility and active front and rear speakers. Includes AUX-IN socket	•	£226.09	£260.00
8RY	BOSE® surround sound system . Dynamic noise-compensation, 8-channel amplifier, 13 loudspeakers including centre speaker in the dashboard and 2 surround loudspeakers in the rear shelf. Total output of 255 Watts	•	£404.35	£465.00
7A2	CD changer for six discs, with MP3 compatibility. Cannot be combined with iPod connection, USB connection or AMI	•	£273.91	£315.00
UF1	iPod connection . For playing/charging your iPod. Located in glovebox and controllable via radio or multi-function steering wheel (if fitted). Cannot be combined with CD changer, USB connection or Satellite Navigation	•	£152.17	£175.00
9ZX	Mobile telephone preparation – Bluetooth interface . Provides handsfree connection via Bluetooth using mobile phone aerial. Please contact your Audi Centre for phone compatibility	•	£208.70	£240.00
9ZF	Mobile telephone preparation – Low , with Bluetooth and voice control. Provides handsfree connection via Bluetooth using mobile phone aerial or, alternatively, using a cradle with charging facility for optimal reception via external aerial. Cradle available at extra cost – please contact your Audi Centre for phone compatibility	•	£326.09	£375.00



Symphony radio



iPod connection



BOSE® surround sound system



Mobile phone preparation – Low

Audio and communication

Order code		TT RS	Basic RRP	Total RRP inc VAT
PNX	Satellite Navigation system – CD-ROM based. Route-planning and guidance using voice and pictogram instructions. Includes AM/FM radio with TP memo function. Single front-loading CD player with MP3 compatibility. Includes AUX-IN socket, MMI operating logic and UK CD-ROM disc. Please note that this option does not include UK TMC functionality. Limited use of navigation system possible when playing audio CDs – therefore a CD changer is recommended with this option	●	£552.17	£635.00
PNC	Satellite Navigation system Plus – DVD-based. Route planning and guidance using voice, pictogram and map. Includes AM/FM tuner with TP memo function. Single front-loading CD player with MP3 compatibility. Includes AUX-IN socket, MMI operating logic and 6.5-inch colour monitor with birdseye map display. Two integrated MMC/SD card slots for playing MP3 files, European coverage navigation DVD and dynamic route guidance via TMC	●	£1,404.35	£1,615.00
QV9	TV reception – analogue and digital. Analogue and digital TV tuner for improved reception of 'free-to-air' TV channels. Picture reception only possible when vehicle is stationary, sound reception at all times. Reception dependent upon local digital network availability. Only in combination with Satellite Navigation system Plus	●	£682.61	£785.00
UF2	USB connection, for playing your USB stick. Located in glovebox and controlled via radio or multi-function steering wheel (if fitted). Cannot be combined with CD changer, iPod connection or Satellite Navigation	●	£152.17	£175.00

Options are subject to availability and may extend delivery.

- = Not available
- = Available
- S = Standard



Safety and security

Intelligent technology designed to give you better all-round awareness and safety on the road.

Order code		TT RS	Basic RRP	Total RRP inc VAT
7X1	Acoustic parking system (rear only)	●	£256.52	£295.00
UGI	Audi hill-hold assist	●	£78.26	£90.00
6XK 4L6 4GP	Auto-dimming, folding, electrically-operated and heated door mirrors , including auto-dimming rear-view mirror, light and rain sensors and windscreen sunband	●	£382.61	£440.00
8N7	High-beam assist . Automatically adjusts headlights from high-beam to dipped beam when another vehicle is approaching or when entering highly-lit areas such as towns. Only available with auto-dimming, folding, electrically-operated and heated door mirrors	●	£86.96	£100.00
3B4	ISOFIX child-seat preparation for outer rear seats (only available on Coupé models)	●	£30.43	£35.00
7K6	Tyre pressure monitor system with display in the Driver's Information System	●	£65.22	£75.00

Options are subject to availability and may extend delivery.

- = Not available

● = Available

S = Standard

Interior equipment

Order code		TT RS	Basic RRP	Total RRP inc VAT
8T2	Cruise control, for holding any speed above 25mph	●	£182.61	£210.00
VC1	Garage door opener (Homelink®*). Programmable radio-operated remote control for up to three compatible doors/gates. Control buttons integrated in the roof module at the front	●	£147.83	£170.00
YSK	Headlining in Alcantara (an Audi exclusive option, available on Coupé models only)	●	£1,347.83	£1,550.00
QQ1	Interior light package, including illuminated door handles, vanity mirrors and glovebox, footwell lighting, puddle lighting and ambient lighting	●	£100.00	£115.00
QE1	Storage pack, comprising underseat storage box, luggage net in boot and luggage net in passenger footwell (available on Coupé models only. Not available in combination with bucket seats)	●	£100.00	£115.00
3X2	Through-load facility (ski bag) for transporting long objects (available on Roadster models only. Not available in combination with bucket seats)	●	£82.61	£95.00
YTO S3G	Seat belts in Audi exclusive colour	Coupé Roadster	● £1,130.43 ● £652.47	£1,300.00 £750.00
YTZ S3G	Front floor mats with TT RS logo	●	£373.91	£430.00

*HomeLink® is a registered trademark of Johnson Controls. For information on compatibility, visit www.homelink.com.

Options are subject to availability and may extend delivery.

- = Not available

● = Available

S = Standard



Through-load facility

Exterior equipment

Make sure your car looks exactly as you want it to by selecting some of the striking options from our detailed list.

Order code		TT RS	Basic RRP	Total RRP inc VAT
8Q5	Adaptive lights. Xenon Plus headlights for dipped and main beam with swivelling headlights for improved illumination of a winding road	●	£278.26	£320.00
5J1	Deletion of fixed rear spoiler	●	No charge	No charge
VW1	Privacy glass, dark tinted from B pillar backwards (only available on Coupé)	●	£278.26	£320.00
4GP	Windscreen sun band (standard on Roadster)	●	£47.83	£55.00
4ZL	Matt aluminium styling pack – front lip spoiler, bottom edge of rear diffuser insert and struts on rear spoiler in matt aluminium	●	£565.22	£650.00
4ZM	Black styling package – radiator grille-frame in highly polished black, with radiator grille and number plate holder in matt black	●	£256.52	£295.00
YUG	Audi exclusive roll hoops in leather with stitching and cladding as per seat upholstery	●	£426.09	£490.00

Options are subject to availability and may extend delivery.

- = Not available
- = Available
- S = Standard



Adaptive headlights



Matt aluminium styling pack



Matt aluminium styling pack



Matt aluminium styling pack

Steering wheels and controls pack

Our fingertips and palms contain more touch receptors than any other part of our body – so shouldn't the parts of our car we handle the most also be the most pleasing to touch? With this in mind, you can specify your car's interior with one or more of the options opposite.

Order code		TT RS	Basic RRP	Total RRP inc VAT
YRH	Audi exclusive leather steering wheel rim	●	£291.30	£335.00
YRB S3G	Audi exclusive control elements in Audi exclusive leather: steering wheel, gear lever knob, gear lever gaiter and handbrake grip	●	£630.43	£725.00
YUC	Audi exclusive control elements in black 'suede' – steering wheel, gear lever and handbrake	●	£630.43	£725.00



TT RS

Technical data

	Coupé	Roadster
Engine	2.5 TFSI quattro*	2.5 TFSI quattro*
Transmission	6-speed manual	6-speed manual
Cylinder	5-cylinder	5-cylinder
Displacement, cubic cm (valves per cylinder)	2480 (4)	2480 (4)
Max. power ¹ , PS at rpm	340/5400-6500	340/5400-6500
Max. torque, Nm at rpm	450/1600-5300	450/1600-5300
0-62mph acceleration, seconds	4.6	4.7
Top speed ³ , mph	155*	155*
CO ₂ emissions ² , g/km	214	221
Benefit in kind (BIK)%	30%	33%
Fuel consumption, mpg (l/100km) Urban	21.5 (13.1)	21.2 (13.3)
Fuel consumption, mpg (l/100km) Extra Urban	41.0 (6.9)	39.2 (7.2)
Fuel consumption, mpg (l/100km) Combined	31.0 (9.2)	29.7 (9.5)
ABI insurance group ⁴ (new 50 group rating)	20E (40)	20E (41)
Unladen weight ⁴	1450	1510
Gross weight limit	1850	1830
Roof/Boot lid load limit	75	20
Luggage compartment capacity, rear seats upright	290	290
Luggage compartment capacity, rear seats folded	700	250
Fuel tank capacity approx, litres	60	60

*Electronically limited. Please see page 28 for option to increase limit.

¹The given value was obtained in accordance with the specified measurement procedure (the respective current version of the Directive 80/1269/EEC).

²The given values were calculated in accordance with the specified measurement procedure (the respective current version of Directive 80/1268/EEC). This information does not relate to a single vehicle and does not comprise part of the offer but is merely intended for the purpose of comparison between the different vehicle types.

³Regulated.

⁴Vehicle's unladen weight without driver (calculated in accordance with the current version of Directive 80/1268/EEC). The fitting of additional equipment may increase the vehicle's unladen weight and drag coefficient, whereupon the potential carrying capacity and top speed will be correspondingly reduced.

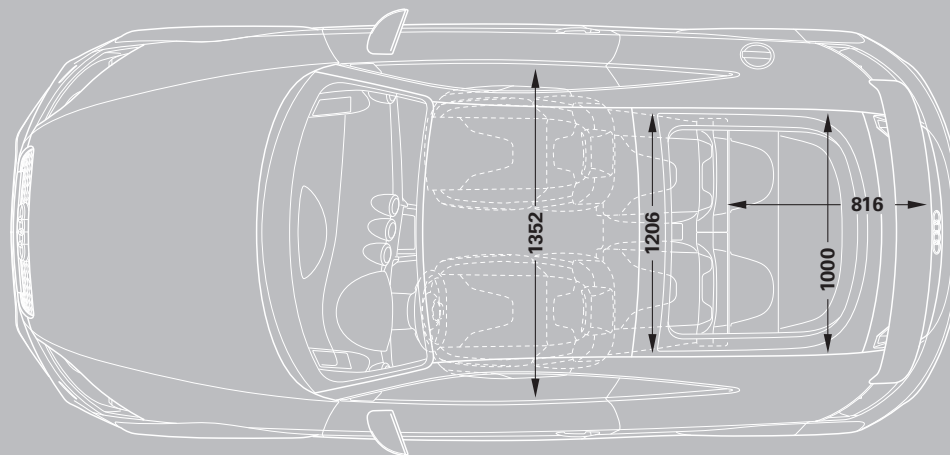
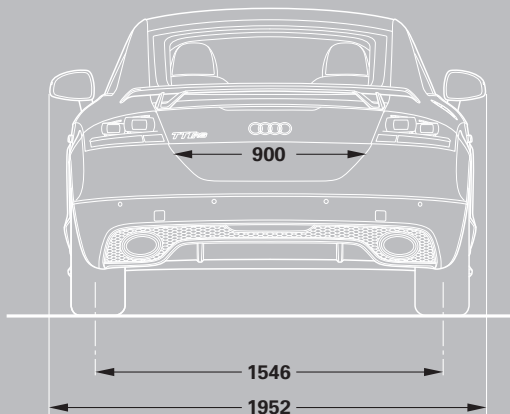
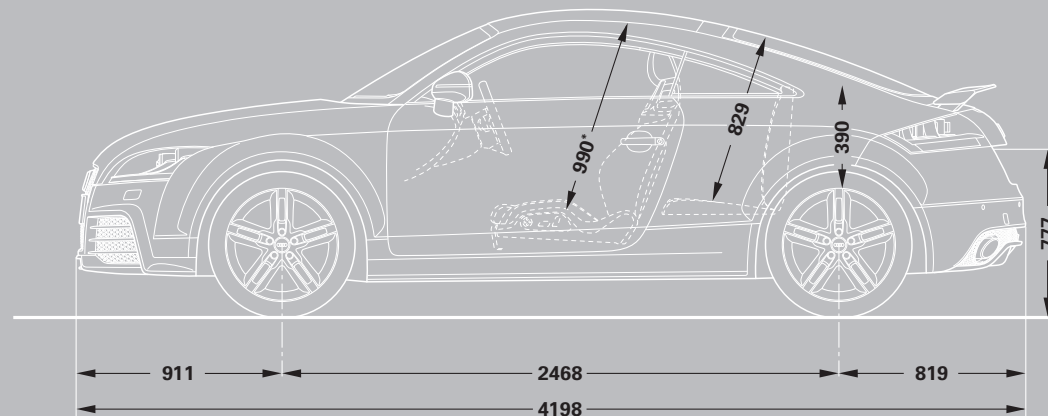
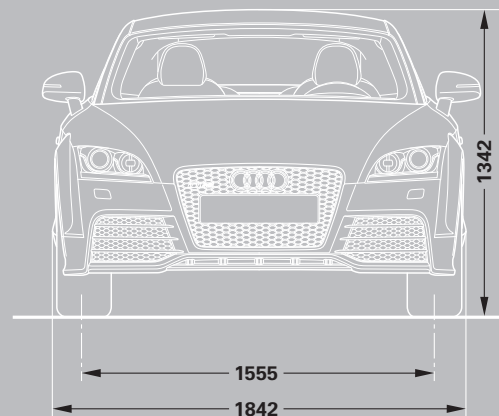
Please note: The maximum power output figures are quoted in PS (or Pferdestärke, which is the metric equivalent of brake horsepower). To convert to brake horsepower, divide the PS figure by 1.0139.





TT RS Coupé dimensions

The technical drawings opposite show the exact dimensions of the TT RS Coupé, so you can check everything - from whether the car will fit in your garage to whether your luggage will fit in the boot.



Dimensions were measured with vehicle at unladen weight.

Turning circle approx 10.7m.

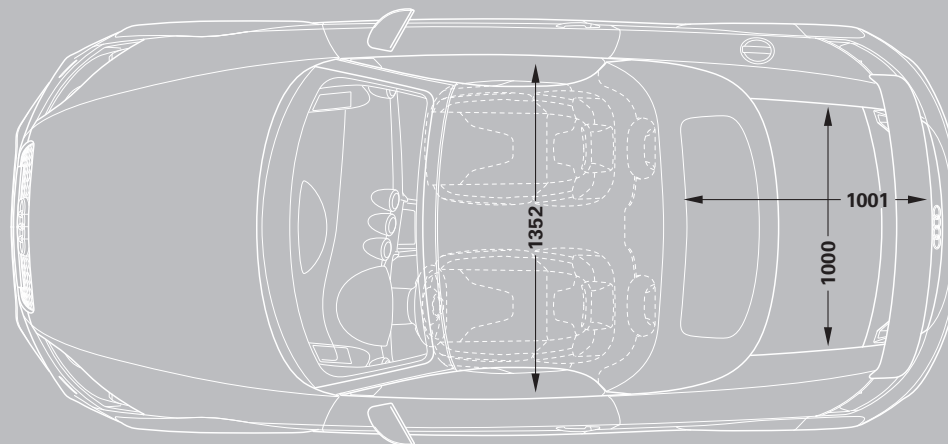
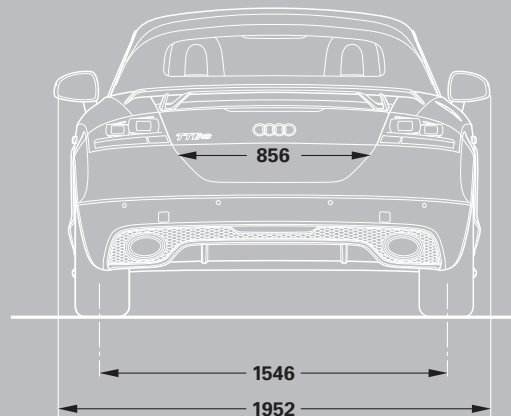
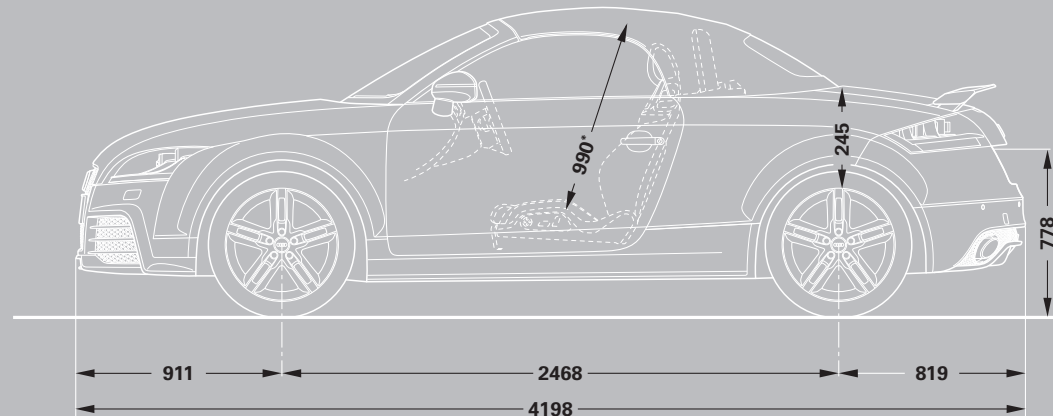
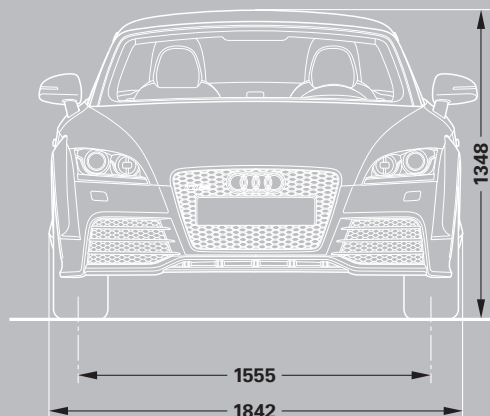
Dimensions in millimetres.

*Maximum headroom.

Roof load limit/nose weight 75kg.

TT RS Roadster dimensions

Look at the technical drawings opposite to see the exact dimensions of the TT RS Roadster, so you can check everything – from whether the car will fit in your garage to whether your luggage will fit in the boot.



Dimensions were measured with vehicle at unladen weight.

Turning circle approx 10.7m.

Dimensions in millimetres.

*Maximum headroom.

Roof load limit/nose weight 75kg.

Additional information

Pricing

Prices and specifications given are correct at the time of printing. Always check details with your Audi Centre, as Audi policies are continually developing. We reserve the right to change prices or specifications at any time.

All prices are subject to VAT, currently charged at 15%.

Delivery charges and number plates are not included in the vehicle price.

Delivery charge	£471.30
Number plate	£20.00
VAT	£73.70
Total	£565.00

Audi Roadside Assistance

Your new car comes complete with complimentary roadside assistance and recovery across the UK provided by RAC Motoring Services. Also included is roadside assistance throughout Europe, managed by RAC Motoring Services.

Audi Customer Care

Every new Audi benefits from the comprehensive Audi Customer Care Package, which comprises:

- ▶ A 3-year Audi warranty, which covers you for unlimited mileage in the first 2 years of ownership, with a full mechanical

and electrical warranty which covers you for up to 60,000 miles in the 3rd year

- ▶ A 3-year paint warranty
- ▶ A 12-year anti-corrosion warranty
- ▶ Up to 3 years' UK roadside assistance and recovery

This package, together with Audi variable service intervals, offers a combination unmatched by any other major manufacturer.

Contact your Audi Centre for full details.

Audi Tax-Free Sales

If you are entitled to purchase a vehicle free of VAT, normally through Military or Diplomatic privilege, please contact your local Audi Centre for full details.

If you have any difficulty obtaining the information you require, please call Freephone 0800 585878.

Audi Finance

Audi Finance specialise in providing funding solutions for Audi drivers. Whether your Audi is for private or business use, there are a range of funding options to choose from.

Below is the full range of finance products.

- ▶ Solutions – a Personal Contract Plan
- ▶ Hire purchase
- ▶ Lease purchase
- ▶ Finance lease
- ▶ Contract hire

With all products, you can choose a fixed-cost maintenance plan designed to help you budget accurately. No matter what Audi model you choose, your local Audi Centre can provide you with a personalised quote which could fit your budget and motoring needs. Audi Finance is a trading name of Volkswagen Financial Services (UK) Limited. An offer of finance depends on certain conditions. Available to people over 18 in the UK only.

Audi Insurance

Competitive comprehensive motor insurance designed specially for Audi drivers. All new Audi models come with complimentary seven-day cover upon request – we'll email a cover note directly to your Audi Centre, enabling them to tax your car easily. This way, you can drive straight out of the showroom. Taking out an annual policy is easy and it can begin as soon as your free seven-day cover expires.

For more information, contact your local Audi Centre. Alternatively, call 0800 051 3146 for a quote and to receive 7 days' complimentary cover for your new Audi.

Audi Insurance is underwritten and administered by Zurich Insurance Company.

Additional information

CO₂ data and information

CO₂ emissions-based Vehicle Excise Duty

Vehicle Excise Duty (Road Fund Licence) is based upon the amount of Carbon Dioxide (CO₂) a vehicle emits, measured in grams per kilometre (g/km). The DVLA has created thirteen categories:

Petrol and Diesel engines

A – up to 100g/km	£0.00
B – 101 to 110g/km	£35.00
C – 111 to 120g/km	£35.00
D – 121 to 130g/km	£120.00
E – 131 to 140g/km	£120.00
F – 141 to 150g/km	£125.00
G – 151 to 165g/km	£150.00
H – 166 to 175g/km	£175.00
I – 176 to 185g/km	£175.00
J – 186 to 200g/km	£215.00
K* – 201 to 225g/km	£215.00
L – 226 to 255g/km	£405.00
M – over 255g/km	£405.00

*Band K includes cars that have a CO₂ figure over 225g/kg but were registered before 23 March 2006.

Servicing tailored to your needs

Regular servicing is key to safeguarding your Audi's performance and a full Audi service history could help you preserve the future re-sale value. To make servicing easy, the Audi Service Schedules have been designed to work with your individual driving style and vehicle. There are two schedules available and your Audi Centre will advise which schedule is most suited to your needs. The conventional fixed Audi Inspection Service schedule has fixed intervals for the Oil Change and Inspection Service

that are based on time and distance, whichever comes first. With the Audi LongLife Service schedule, sensors take account of driving style and conditions in which the vehicle is used to indicate when the Oil Change Service is required. Oil Change Service intervals are therefore variable and are conveniently indicated via the on-board service interval display.

Inspection Service Schedule

	Vehicle usage:
Mileage	Less than 10,000* miles per annum
Type of journey	Mainly city/town centre driving. Short journeys
Conditions	Frequent cold starts. High engine loading – e.g. frequent hill climbs, vehicle fully loaded, towing
Driving style	Uneconomical – e.g. heavy acceleration, heavy braking, constant changes in speed, constant use of high revs, 'sporty' driving
	Fixed Audi Inspection Service Intervals:
Oil-change service	Fixed to every 20,000* miles/1 year
Inspection service	Fixed to every 20,000* miles/3 years, then every 20,000* miles/2 years thereafter

LongLife Service Regime

	Vehicle usage:
Mileage	More than 30 miles per day
Type of journey	Motorway and main road driving. Mainly longer distance journeys. Constant speeds
Conditions	Normal engine loading – e.g. with little or no towing, with little or no hill climbs. Normal vehicle loading
Driving style	Moderate acceleration, moderate braking, engine revs mainly below 3,000
	Audi LongLife Service Intervals:
Oil-change service	Variable to a minimum of every 20,000* miles/2 years
Inspection service	Fixed to every 20,000* miles/3 years, then every 20,000* miles/2 years thereafter

*As indicated by the service interval display. Mileages are approximate as the Service Indicator system uses kilometres as its distance measurement.

Additional information

Service by Design

At Audi, we believe our customers can expect excellent service each and every time they make contact with us. To ensure that this happens, we have agreed a set of service standards with our Audi Centre network that governs the way they do business with you. These standards apply to both Sales and Aftersales, and we actively monitor our Centres to ensure that you receive the highest level of customer service. These service standards will ensure a consistent, stress-free experience whenever you are in contact with anyone representing the Audi brand.

Every Audi Centre will be open during the following hours:

Sales: 9am–6pm Monday to Friday
9am–5pm Saturday

Service: 8am–6pm Monday to Friday
8.30am–1pm Saturday

Sunday opening at local discretion.

Test drives

Whilst we cannot always have the desired demonstrator car ready immediately, we will confirm arrangements for a test drive within two working days (subject to status).

New car delivery

Once we have confirmed a delivery date with you, we will keep you informed of progress. In the unlikely event of a delay, we will

provide you with a courtesy car to minimise inconvenience and keep you mobile.

Delivery to any location within the UK

To maximise your Audi experience right from the first day of ownership, we will deliver your car to your preferred location – whether that's home or your place of work (subject to reasonable notice).

Attention to every detail

Your ownership experience starts with half a tank of fuel.

Quotation response

We will answer any quotation request within 1 working day.

Training

We run a continuous training development programme for all our staff so that we consistently deliver a high-quality, professional service.

Formal complaints procedure

We have a complaints procedure designed to ensure any negative issue you raise with us is dealt with properly.

Courtesy cars

When your car is off the road, perhaps due to a scheduled service or MOT, we will offer you

an Audi Courtesy Vehicle until yours is ready. We'll even collect from and deliver to your chosen location, keeping hassle to an absolute minimum.

Service bookings

If you do not require a courtesy car, we will service your Audi within a maximum of 5 working days. If you do choose to take a courtesy car, we will promise to service your vehicle within a maximum of 10 working days.

Cleaning

When your car comes to our workshop, we will wash and vacuum it at no extra cost.

No hidden charges

You will be consulted before we carry out any necessary work on your vehicle, and anything charged for will be itemised on your bill. No extra work will be undertaken without your permission.

A personal service

All work will be done by a named Audi Technician, to whom you can personally direct questions or requests should you need to.

Environmental commitment

We promise to dispose of all non-biodegradable materials from your vehicle in a responsible manner.

Audi UK

Customer Services
Selectapost 29
Sheffield
S97 3FG
0800 699888
www.audi.co.uk

Specifications and prices subject
to change without notice.

© Audi (UK)

Printed in the UK
Edition 1.0 06/09
2010 Model Year



Mixed Sources
Product group from well-managed
forests and other controlled sources

Cert no. TT-COC-002327
www.fsc.org
© 1996 Forest Stewardship Council