



**The Audi A4, A4 allroad and S4**

Pricing and Specification Guide

Valid from April 2011

# Personalising your Audi A4

This guide has been designed to help you tailor and price your Audi A4 quickly and logically. At the back, you will find information on CO2 emissions-based taxation and the other services offered by Audi, including Finance and Insurance. Alternatively, you can go to [audi.co.uk](http://audi.co.uk) and configure your Audi A4 online.

## The Audi A4

Efficiency	8
Engines	10
Transmissions	11
quattro®	12

## Model details and prices

Standard model equipment	14
SE model equipment	16
Technik model equipment	17
S line model equipment	18
Black Edition model equipment	18
A4 allroad model equipment	19
S4 model equipment	20
Model prices	22

<b>Audi exclusive</b>	26
-----------------------	----

## Colour and upholstery

Paint	28
Upholstery	30
Colour and trim guide	38
Inlays	44

## Options

Wheels, tyres and suspension	46
Packages	48
Audio and communication	50
Seats	52
Safety and security	53
Interior equipment	54
Steering wheels	55
Exterior equipment	56
Service Plan and warranty	58
Merchandise	59
Accessories	60

## Technical details

Technical data	61
Dimensions	69
Additional information	74
Pricing information	76





## Vorsprung durch Technik

Three words that express the very essence of Audi. Vorsprung durch Technik isn't a slogan. It's our way of seeing the world. It is the driving force behind our history of innovation that continues into the 21st century. Indeed, many technologies that Audi pioneered remain in our cars today. Some are milestones in the history of the motorcar.

From our beginnings in 1899, to the Auto Union team's Grand Prix successes in the 1930s and our more recent wins at Le Mans, we have always been at the forefront of the motor industry.

Vorsprung durch Technik makes us who we are. To see more of its influence, just read on.

## **With extra-sensory technology, the Audi A4 sees things before you do**

When you're driving, it's vital to watch the road. It's why we've developed a number of optional technologies for the Audi A4 which monitor conditions, alerting you to potential problems before they happen. Just as forward-thinking is the range of advanced engines available - including the 2.0 TDI, which emits just 120g/km of CO<sub>2</sub> and can achieve over 60mpg.





## Efficiency

At Audi, doing less is something we're trying to do more of. We're working to use less fuel, release less CO<sub>2</sub> and waste less energy. It's why we've incorporated a number of more efficient technologies into the Audi A4.

### Recuperation

When a vehicle brakes, the discs convert the kinetic energy into thermal energy, which is wasted as it cannot be used. With a recuperation system, like the one in the Audi A4, the kinetic energy is converted into useful electrical energy. The way it works is simple. While the car is coasting or braking, the alternator voltage is raised above the level of the basic electrical system, which enables the alternator to generate electrical energy and store it temporarily in the battery. When the vehicle accelerates, this energy is used to relieve the load on the alternator, resulting in a fuel saving of up to 3%.

### Gear-change indicator

Small changes to your driving style can have a big impact on your fuel economy. The gear-change indicator in the Audi A4 is there to indicate the optimum gear to use for any given speed, encouraging early upshifts to ensure you don't burn more fuel than is necessary.





### **Efficiency programme**

The Driver's Information System in the Audi A4 is available with a special efficiency programme, which offers up-to-the-minute advice on ways to help improve fuel economy as you drive. It also shows you which items in your car are using energy, and how much they are using, so you can make an informed choice about which ones to switch off.

### **Aerodynamics**

A car's shape can have a significant effect on its efficiency. It's why we've worked to make the Audi A4 as aerodynamic as possible.



## Engines

### Petrol

FSI® direct-injection technology is a unique Audi innovation that was originally developed for the Le Mans 24-hour endurance race to deliver more power and torque, as well as enhanced fuel efficiency. Precisely the right amount of fuel and air are injected into the combustion chambers, enabling the engine to 'breathe' more easily. It results in reduced heat loss and increased output, with around a 15% reduction in fuel consumption and significantly lower exhaust emissions. We've also developed TFSI®, with either turbocharging or supercharging, which combines FSI® technology with forced induction – giving cars an extra injection of power.

### Diesel

We introduced TDI® to the roads in 1989, marking a departure from the noisy, fuel-thirsty diesel engines of the past. And since then, we've continuously refined it, recently developing common-rail technology. Under this system, a series of piezo injectors use electrical charge to precisely control the amount of fuel injected into the engine. As well as reducing noise, this allows combustion to happen at a lower temperature, with less oxygen, which lowers emissions.





## Transmissions

### **multitronic®**

Translating a driver's preferences and intentions into road performance, the multitronic® transmission system entertains no compromises – whether in terms of dynamism, convenience or economy. multitronic® automatic transmission is available on models without quattro® permanent all-wheel-drive.

A continuously variable transmission, multitronic® can transmit up to 400 Nm of torque and permits an exceptionally wide range of gear ratios. The result is smooth, powerful acceleration and a high level of driving comfort. And thanks to its lightweight design and a number of advanced electronic control systems that monitor gradient, road conditions and the way the driver is using the accelerator pedal, multitronic® also plays an instrumental role in reducing fuel consumption.

### **tiptronic**

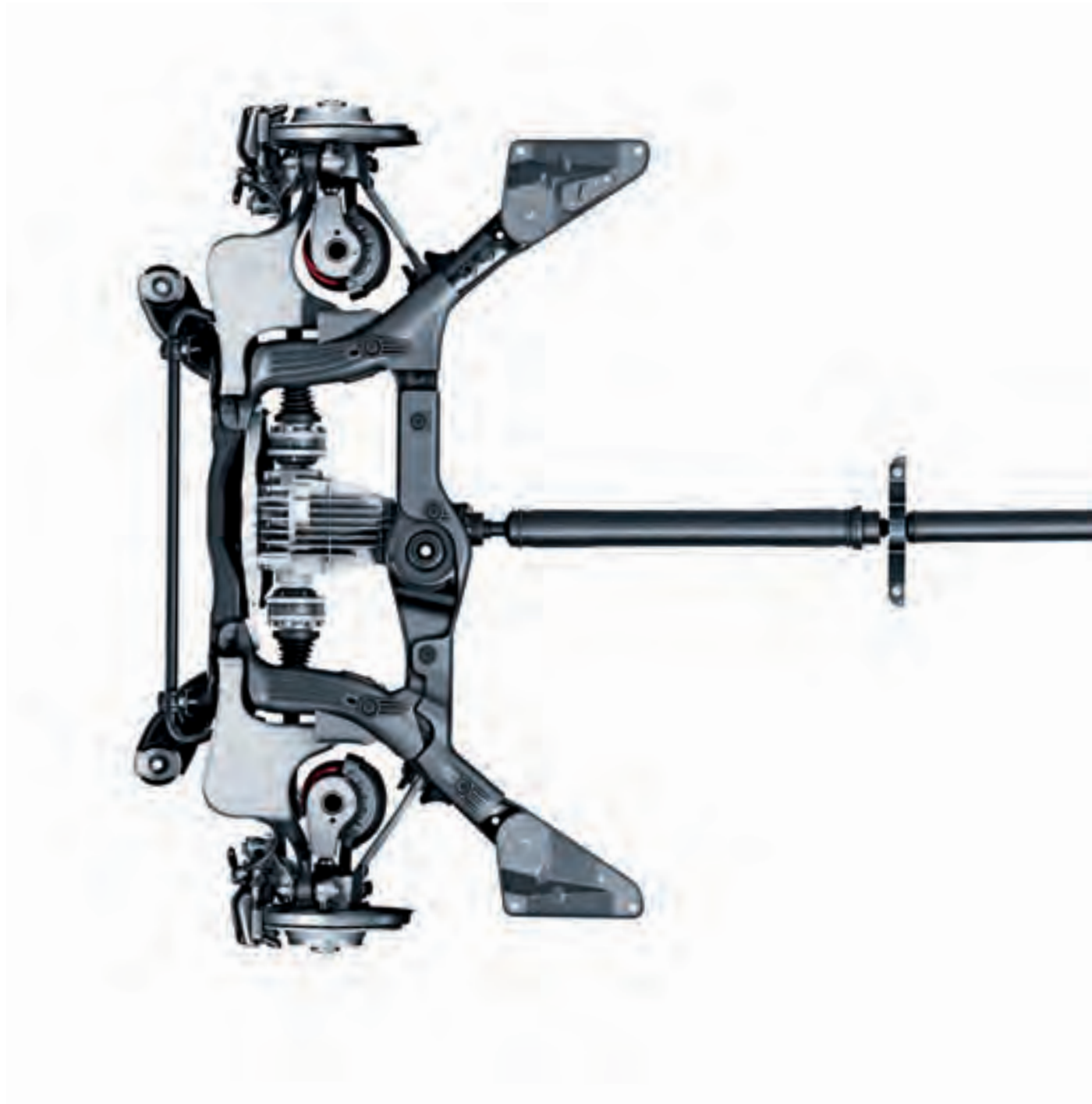
The 6-speed tiptronic transmission system is a form of automatic transmission available on Audi models with quattro® permanent all-wheel-drive. The technology converts high-torque engine power into both sporty performance and operating convenience, with crisp, fast gear changes, reduced weight and an optimised gearshift strategy. More spontaneous gear changes are a particular benefit, especially when down-shifting. Both in the 'D' (Drive) and 'S' (Sport) programme, the advanced electronics used in tiptronic respond efficiently to every driver input, helping to prevent unwanted upshifts when cornering.

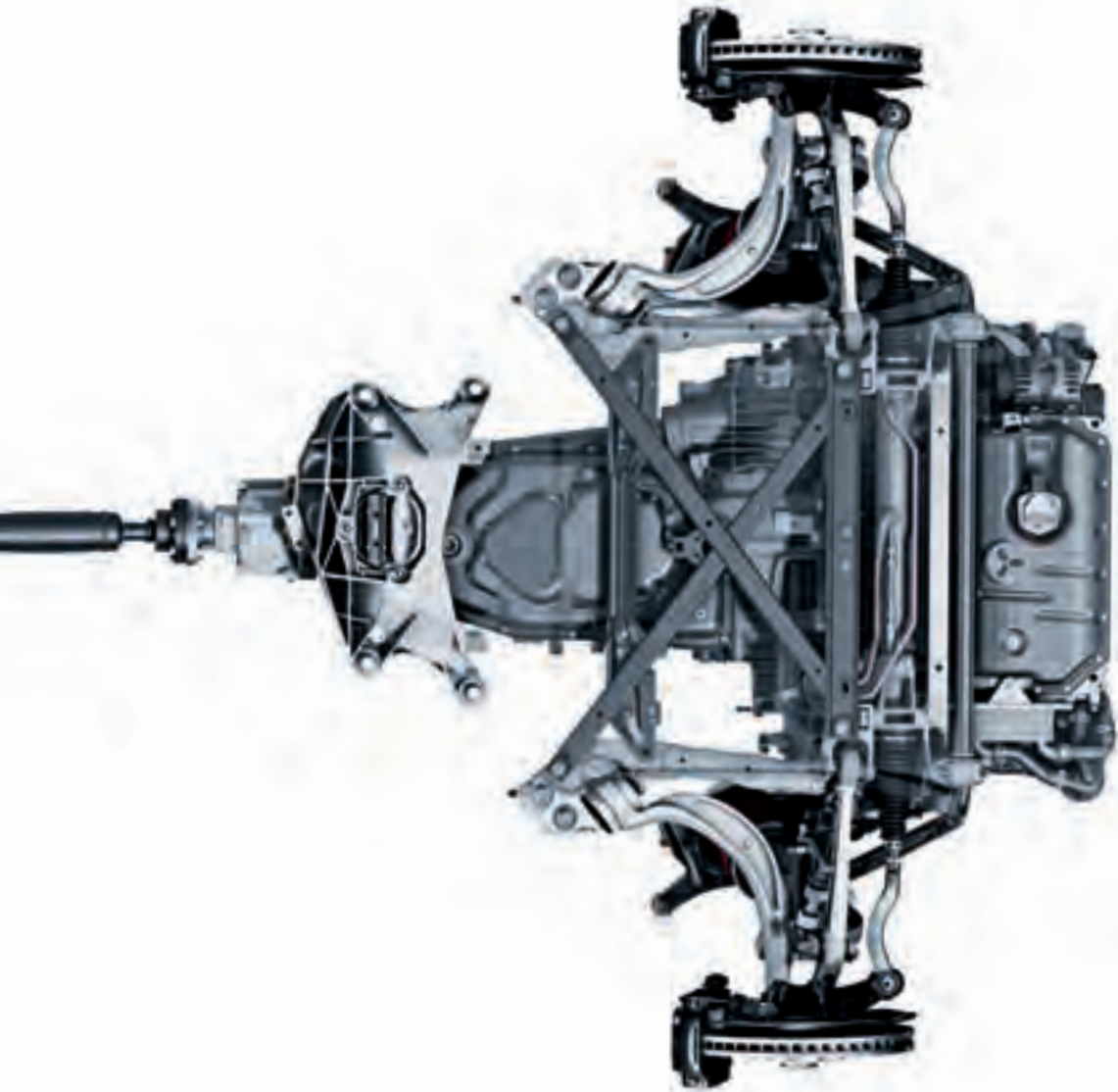
### **S tronic®**

Driving is all about thinking ahead, which is just what the S tronic® dual-clutch transmission does. It works almost as two separate systems, one engaging the odd-numbered and the other the even-numbered gears. So when you're accelerating in second, it has third gear waiting for you. And once you make the switch, it's already thinking about fourth. With two clutches working together, you can change gears almost instantly while experiencing smooth, uninterrupted power.

## quattro®

It's the technology that has given Audi the edge on the racetrack ever since it was first introduced over 30 years ago – a technology that delivers ultimate control whilst enhancing the sporty characteristics which make the Audi A4 so thrilling to drive. It's called quattro® permanent all-wheel-drive. The principle is simple: in the same way that four brakes ensure better deceleration, four permanently-driven wheels deliver better acceleration and road-holding, pushing or pulling the car as needed, for a driving experience that's both dynamic and safe.





In the Audi A4, asymmetric dynamic torque distribution continuously distributes drive power between the front and rear axles depending on weather conditions, road surface and gradient, which increases flexibility for an enhanced, sportier drive.

## Standard model equipment

All A4 models have the following items of standard equipment

### Engine

Automatic Start-Stop function for greater fuel and CO<sub>2</sub> efficiency (only available on the 2.0 TDI and 2.0 TFSI manual engines)  
Recuperation for optimal energy utilisation  
Misfuelling inhibition for diesel engines

### Wheels, tyres and suspension

16" x 7.5J '7-arm' design alloy wheels with 225/55 R16 tyres and locking wheel bolts (not on Avant 2.0 TDIe models)

16" x 7J '6-arm' design alloy wheels with 205/60 R16 low rolling resistance tyres and locking wheel bolts (only on Avant 2.0 TDIe model)

Space-saver spare wheel

2.0 TDI/TDIe 136PS models feature Sports suspension lowered by 20mm

### Seats

Cosinus cloth seats with manual height adjustment  
Split-folding rear seats

### Safety and security

ESP (including limited-slip differential on front-wheel-drive models)

First aid kit

Front and rear fog lights

Front and rear ISOFIX seats with front passenger airbag deactivation switch

Front side airbags

Headlight range adjustment

Thatcham category 1 alarm and immobiliser

Toolkit and car jack

Warning triangle

### Interior equipment

1-zone climate control

12V power socket in boot

4-spoke leather steering wheel

Door sill trims in Aluminium optic

Driver's Information System (DIS) with energy-saving tips feature, including gearshift indicator

Electric front and rear windows

Electromechanical parking brake

Front and rear floor mats

Intelligent key

Micrometallic inlays

Rear armrest

Steering column adjustment for rake and reach

Servotronic speed-related power-assisted steering



16" x 7.5J '7-arm' design alloy wheels



Exterior mirrors – electrically operated and heated



2.0 TDI 136PS models feature suspension lowered by 20mm

**Exterior equipment**

Auto-opening boot lid (Saloon models only)

Exterior mirrors – electrically operated and heated

Front grille – Black gloss on 3.0 TDI® and 3.2 FSI®, Stone grey on all others

Halogen daytime-running lights

Roof rails in bright finish (Avant models only)

Exhaust pipes – 4-cylinder models have two exhaust pipes on the left hand side. 6-cylinder models and the 2.0 TFSI® Avant model have one exhaust pipe on each side

**Audio and communication**

Audi Chorus audio system – single CD player with 6.5" monochrome display

6 loudspeakers (80 Watts)



# SE model equipment

In addition to Standard model equipment

**Basic RRP**  
£1,020.83

**Total RRP inc VAT**  
£1,225.00

## Wheels, tyres and suspension

17" x 7.5J '7-arm' design alloy wheels with 225/50 R17 tyres and locking wheel bolts. 2.0 TDIe Avant models feature low rolling resistance tyres

## Audio and communication

Audi Concert radio. Single CD with MP3 compatibility, colour centre console screen, SD memory card reader and AUX-IN socket in centre console

Audi sound system speaker package, 10 speakers including subwoofer (180 Watts)

Mobile telephone preparation – Bluetooth interface

## Safety and security

Automatic headlight operation

Automatic windscreen wipers

Rear acoustic parking system

## Exterior equipment

Exterior aluminium package

## Interior equipment

4-spoke leather multi-function steering wheel

Acoustic windscreen

Auto-dimming rear-view mirror

Aluminium Hologram inlays

Colour Driver's Information System (DIS) with energy-saving tips including gearshift indicator

Cruise control

Deluxe 3-zone climate control with separate air distribution and digital display for driver and front passenger. System includes air-conditioning controls in the rear centre console for rear passenger compartment

Front centre armrest including 12V power socket

Interior chrome package



Colour Driver's Information System (DIS)



17" x 7.5J '7-arm' design alloy wheels

# Technik model equipment

## In addition to SE model equipment

**Basic RRP**  
£762.50

**Total RRP inc VAT**  
£915.00\*

### Interior equipment

Milano leather upholstery

### Audio and communication

Satellite Navigation system - DVD-based

Audi Music Interface

### Safety and security

Audi parking system plus



Audi parking system plus



Satellite Navigation system - DVD-based



\*Valid for new vehicle orders placed up to and including 30 September 2011. Offers subject to availability  
RRP - Recommended Retail Price. VAT is calculated at 20% but this may alter to reflect any change in the applicable VAT rate.



## S line model equipment

### In addition to SE model equipment

**Basic RRP**  
£2,129.17

**Total RRP inc VAT**  
£2,555.00



18" x 8J '5-spoke' S line design alloy wheels

### Wheels, tyres and suspension

18" x 8J '5-spoke' S line design alloy wheels with 245/40 R18 tyres

Sports suspension 20mm lower than Standard (S line suspension 30mm lower than Standard – available in lieu of Sports suspension at no charge)

### Interior equipment

3-spoke S line multi-function steering wheel (paddle shift for automatic models)

Black headlining

Matt-brushed aluminium inlays

Perforated leather gear knob

S line embossed Sports seats in cloth/leather combination

S line sill plates

### Exterior equipment

Bumper 'blade' in Platinum optic

Chrome fog light surround

Chrome rolled exhaust

S line exterior styling package including:

- S line side skirts
- S line front bumper
- S line rear diffuser
- S line badges on wings

Rear LED lights

Roof spoiler (Avant models only)

Xenon headlights with LED daytime-running lights

### Additional upholstery information

Option of black or silver stitching to upholstery, steering wheel, gearshift gaiters and floor mats

## Black Edition model equipment

### In addition to S line model equipment

**Basic RRP**  
£1,041.67

**Total RRP inc VAT**  
£1,250.00\*



Bang & Olufsen sound system

### Wheels, tyres and suspension

19" x 8.5J '5-arm rotor' design titanium finish alloy wheels with 255/35 R19 tyres

### Audio and communication

Audi Music Interface

Bang & Olufsen sound system

DAB digital radio

### Safety and security

Audi parking system plus (Saloon models only)

### Exterior equipment

Black styling package – radiator grille-frame in highly polished black, with radiator grille, number plate holder, front fog light surround and window surround in matt black. Avant models include black roof rails

Privacy glass, dark tinted from B pillar backwards (Avant models only)

### Interior equipment

Piano Finish black inlays



19" x 8.5J '5-arm rotor' design titanium finish alloy wheels with 255/35 R19 tyres

## A4 allroad model equipment

In addition to  
A4 Avant quattro®  
SE model equipment

**Basic RRP**  
£837.50

**Total RRP inc VAT**  
£1,005.00

### Wheels, tyres and suspension

18" x 8J '10-spoke' design alloy wheels with 245/45 R18 tyres  
37mm suspension lift over standard A4  
Collapsible spare wheel  
Off-road detection system (ORD)

### Seats

Tundra cloth

### Interior equipment

Load and rail system  
Storage package  
Full-length load mat  
Micrometallic inlays

### Exterior equipment

Off-road aluminium package  
Headlight washers





## S4 quattro® equipment – in addition to SE model equipment

One look at its muscular body styling, 18" alloy wheels and subtle S4 badging, and it'll come as no surprise that the Audi S4 features a powerful 3.0-litre V6 supercharged engine, capable of taking you from 0 to 62mph in 5.1 seconds. And from the comfort and stability of a stylish Alcantara/leather Sports seat, you can sit back and enjoy every single unit of this engine's 333PS capability – not to mention the roadholding of quattro® permanent all-wheel-drive.

But sleek styling and powerful performance in the S4 don't come at the expense of functional, driver-oriented specifications. Simple yet thoughtful touches, such as the matt-brushed aluminium inlays, S instrument dials and electric front Sports seats have been included to ensure that your life runs as smoothly as your Audi does.

### Wheels, tyres and suspension

18" x 8.5J '5-double-spoke S' design alloy wheels with 245/40 R18 tyres

### Seats

Sports seats with electric adjustment and lumbar support

Leather/Alcantara upholstery

### Safety and security

'S' model enhanced braking system

### Interior equipment

3-spoke 'S' Sports multi-function leather steering wheel (with aluminium-look paddle shift on S tronic® models)

Aluminium scuff plates

Interior lighting package

Inlays in matt-brushed aluminium

'S' instrument cluster

### Exterior equipment

4-oval, twin tailpipes, in chrome finish

Aluminium-effect door mirror housings

Integrated boot-lid spoiler (Saloon models only)

LED tail-lights

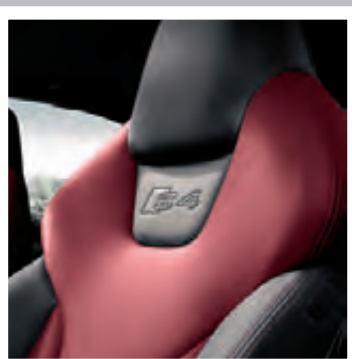
Painted brake callipers with S4 logo (on front brakes only)

Platinum grey matt grille with vertical bars and chrome inserts

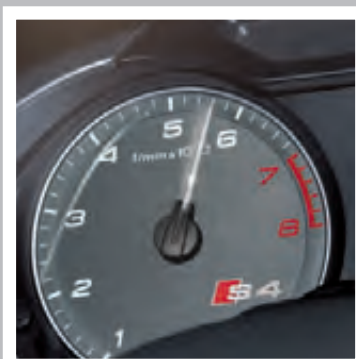
Roof spoiler (Avant models only)

'S' front and rear bumpers and side skirt

Xenon headlights with LED daytime-running lights



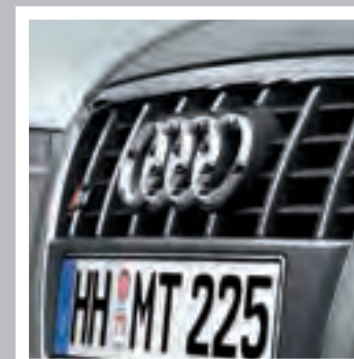
Optional S4 Super Sports seats



'S' instrument dial



18" x 8.5J '5-double-spoke S' design alloy wheels



Platinum grey matt grille with vertical bars and chrome inserts



## A4 Saloon Standard

Engines	Power	Transmissions	CO <sub>2</sub> g/km	Basic RRP	Total RRP inc VAT	Recommended OTR
1.8 TFSI	120PS	6-speed manual	164	£17,825.00	£21,390.00	£22,200.00
2.0 TDI	136PS	6-speed manual	120	£20,404.17	£24,485.00	£25,130.00
2.0 TDI	143PS	multitronic	149	£21,637.50	£25,965.00	£26,740.00

## A4 Avant Standard

Engines	Power	Transmissions	CO <sub>2</sub> g/km	Basic RRP	Total RRP inc VAT	Recommended OTR
1.8 TFSI	120PS	6-speed manual	169	£18,825.00	£22,590.00	£23,500.00
2.0 TDIe	136PS	6-speed manual	120	£21,404.17	£25,685.00	£26,330.00
2.0 TDI	143PS	multitronic	155	£22,637.50	£27,165.00	£27,975.00

## A4 Saloon SE

Engines	Power	Transmissions	CO <sub>2</sub> g/km	Basic RRP	Total RRP inc VAT	Recommended OTR
1.8 TFSI	120PS	6-speed manual	164	£18,845.83	£22,615.00	£23,425.00
1.8 TFSI	160PS	6-speed manual	164	£20,233.33	£24,280.00	£25,090.00
2.0 TFSI	211PS	6-speed manual	149	£22,275.00	£26,730.00	£27,505.00
2.0 TFSI quattro	211PS	6-speed manual	169	£23,466.67	£28,160.00	£29,070.00
3.2 FSI	265PS	multitronic	192	£26,275.00	£31,530.00	£32,620.00
3.2 FSI quattro	265PS	6-speed manual	214	£26,233.33	£31,480.00	£32,705.00
2.0 TDI	136PS	6-speed manual	120	£21,425.00	£25,710.00	£26,355.00
2.0 TDI	143PS	multitronic	149	£22,658.33	£27,190.00	£27,965.00
2.0 TDI	170PS	6-speed manual	134	£22,275.00	£26,730.00	£27,490.00
2.0 TDI quattro	170PS	6-speed manual	145	£23,466.67	£28,160.00	£28,935.00
2.7 TDI	190PS	multitronic	167	£24,704.17	£29,645.00	£30,555.00
3.0 TDI quattro	240PS	6-speed manual	173	£26,787.50	£32,145.00	£33,055.00

**Please note:** The maximum power output figures are quoted in PS (or Pferdestärke, which is the metric equivalent of brake horsepower). To convert to brake horsepower, divide the PS figure by 1.0139.

**Recommended On-The-Road (OTR) retail prices include:** delivery charge, half a tank of fuel, number plates at £590.00 (inc. VAT), Road Fund Licence (which may vary depending on model/transmission – see page 74 for details) and first registration fee at £55.00. Vehicle Excise Duty correct at time of going to print, but this may alter to reflect any change in the applicable VED rate.

RRP – Recommended Retail Price. VAT is calculated at 20% but this may alter to reflect any change in the applicable VAT rate.

## A4 Avant SE

Engines	Power	Transmissions	CO <sub>2</sub> g/km	Basic RRP	Total RRP inc VAT	Recommended OTR
1.8 TFSI	120PS	6-speed manual	169	£19,845.83	£23,815.00	£24,725.00
1.8 TFSI	160PS	6-speed manual	169	£21,233.33	£25,480.00	£26,390.00
2.0 TFSI	211PS	6-speed manual	154	£23,275.00	£27,930.00	£28,740.00
2.0 TFSI quattro	211PS	6-speed manual	174	£24,466.67	£29,360.00	£30,270.00
3.2 FSI	265PS	multitronic	197	£27,275.00	£32,730.00	£33,820.00
3.2 FSI quattro	265PS	6-speed manual	219	£27,233.33	£32,680.00	£33,905.00
2.0 TDIe	136PS	6-speed manual	120	£22,425.00	£26,910.00	£27,555.00
2.0 TDI	143PS	multitronic	155	£23,658.33	£28,390.00	£29,200.00
2.0 TDI	170PS	6-speed manual	144	£23,275.00	£27,930.00	£28,705.00
2.0 TDI quattro	170PS	6-speed manual	149	£24,466.67	£29,360.00	£30,135.00
2.7 TDI	190PS	multitronic	169	£25,704.17	£30,845.00	£31,755.00
3.0 TDI quattro	240PS	6-speed manual	176	£27,787.50	£33,345.00	£34,305.00

## A4 Saloon Technik

Engines	Power	Transmissions	CO <sub>2</sub> g/km	Basic RRP	Total RRP inc VAT	Recommended OTR
2.0 TDI	136PS	6-speed manual	120	£22,187.50	£26,625.00	£27,270.00
2.0 TDI	170PS	6-speed manual	134	£23,037.50	£27,645.00	£28,405.00
2.0 TDI quattro	170PS	6-speed manual	145	£24,229.17	£29,075.00	£29,850.00
3.0 TDI quattro	240PS	6-speed manual	173	£27,550.00	£33,060.00	£33,970.00

## A4 Avant Technik

Engines	Power	Transmissions	CO <sub>2</sub> g/km	Basic RRP	Total RRP inc VAT	Recommended OTR
2.0 TDIe	136PS	6-speed manual	120	£23,187.50	£27,825.00	£28,470.00
2.0 TDI	170PS	6-speed manual	144	£24,037.50	£28,845.00	£29,620.00
2.0 TDI quattro	170PS	6-speed manual	149	£25,229.17	£30,275.00	£31,050.00
3.0 TDI quattro	240PS	6-speed manual	176	£28,550.00	£34,260.00	£35,220.00

## A4 Saloon S line

Engines	Power	Transmissions	CO <sub>2</sub> g/km	Basic RRP	Total RRP inc VAT	Recommended OTR
1.8 TFSI	120PS	6-speed manual	164	£20,975.00	£25,170.00	£25,980.00
1.8 TFSI	160PS	6-speed manual	164	£22,362.50	£26,835.00	£27,645.00
2.0 TFSI	211PS	6-speed manual	149	£24,404.17	£29,285.00	£30,060.00
2.0 TFSI quattro	211PS	6-speed manual	169	£25,595.83	£30,715.00	£31,625.00
3.2 FSI	265PS	multitronic	192	£28,404.17	£34,085.00	£35,175.00
3.2 FSI quattro	265PS	6-speed manual	214	£28,362.50	£34,035.00	£35,260.00
2.0 TDI	136PS	6-speed manual	120	£23,554.17	£28,265.00	£28,910.00
2.0 TDI	143PS	multitronic	149	£24,787.50	£29,745.00	£30,520.00
2.0 TDI	170PS	6-speed manual	134	£24,404.17	£29,285.00	£30,045.00
2.0 TDI quattro	170PS	6-speed manual	145	£25,595.83	£30,715.00	£31,490.00
2.7 TDI	190PS	multitronic	167	£26,833.33	£32,200.00	£33,110.00
3.0 TDI quattro	240PS	6-speed manual	173	£28,916.67	£34,700.00	£35,610.00

## A4 Avant S line

Engines	Power	Transmissions	CO <sub>2</sub> g/km	Basic RRP	Total RRP inc VAT	Recommended OTR
1.8 TFSI	120PS	6-speed manual	169	£21,975.00	£26,370.00	£27,280.00
1.8 TFSI	160PS	6-speed manual	169	£23,362.50	£28,035.00	£28,945.00
2.0 TFSI	211PS	6-speed manual	154	£25,404.17	£30,485.00	£31,295.00
2.0 TFSI quattro	211PS	6-speed manual	174	£26,595.83	£31,915.00	£32,825.00
3.2 FSI	265PS	multitronic	197	£29,404.17	£35,285.00	£36,375.00
3.2 FSI quattro	265PS	6-speed manual	219	£29,362.50	£35,235.00	£36,460.00
2.0 TDI	136PS	6-speed manual	125	£24,554.17	£29,465.00	£30,110.00
2.0 TDI	143PS	multitronic	155	£25,787.50	£30,945.00	£31,755.00
2.0 TDI	170PS	6-speed manual	144	£25,404.17	£30,485.00	£31,260.00
2.0 TDI quattro	170PS	6-speed manual	149	£26,595.83	£31,915.00	£32,690.00
2.7 TDI	190PS	multitronic	169	£27,833.33	£33,400.00	£34,310.00
3.0 TDI quattro	240PS	6-speed manual	176	£29,916.67	£35,900.00	£36,860.00

## A4 Saloon Black Edition

Engines	Power	Transmissions	CO <sub>2</sub> g/km	Basic RRP	Total RRP inc VAT	Recommended OTR
1.8 TFSI	120PS	6-speed manual	164	£22,016.67	£26,420.00	£27,230.00
1.8 TFSI	160PS	6-speed manual	164	£23,404.17	£28,085.00	£28,895.00
2.0 TFSI	211PS	6-speed manual	149	£25,445.83	£30,535.00	£31,310.00
2.0 TFSI quattro	211PS	6-speed manual	169	£26,637.50	£31,965.00	£32,875.00
3.2 FSI	265PS	multitronic	192	£29,445.83	£35,335.00	£36,425.00
3.2 FSI quattro	265PS	6-speed manual	214	£29,404.17	£35,285.00	£36,510.00
2.0 TDI	136PS	6-speed manual	120	£24,595.83	£29,515.00	£30,160.00
2.0 TDI	143PS	multitronic	149	£25,829.17	£30,995.00	£31,770.00
2.0 TDI	170PS	6-speed manual	134	£25,445.83	£30,535.00	£31,295.00
2.0 TDI quattro	170PS	6-speed manual	145	£26,637.50	£31,965.00	£32,740.00
2.7 TDI	190PS	multitronic	167	£27,875.00	£33,450.00	£34,360.00
3.0 TDI quattro	240PS	6-speed manual	173	£29,958.33	£35,950.00	£36,860.00

## A4 Avant Black Edition

Engines	Power	Transmissions	CO <sub>2</sub> g/km	Basic RRP	Total RRP inc VAT	Recommended OTR
1.8 TFSI	120PS	6-speed manual	169	£23,016.67	£27,620.00	£28,530.00
1.8 TFSI	160PS	6-speed manual	169	£24,404.17	£29,285.00	£30,195.00
2.0 TFSI	211PS	6-speed manual	154	£26,445.83	£31,735.00	£32,545.00
2.0 TFSI quattro	211PS	6-speed manual	174	£27,637.50	£33,165.00	£34,075.00
3.2 FSI	265PS	multitronic	197	£30,445.83	£36,535.00	£37,625.00
3.2 FSI quattro	265PS	6-speed manual	219	£30,404.17	£36,485.00	£37,710.00
2.0 TDI	136PS	6-speed manual	125	£25,595.83	£30,715.00	£31,360.00
2.0 TDI	143PS	multitronic	155	£26,829.17	£32,195.00	£33,005.00
2.0 TDI	170PS	6-speed manual	144	£26,445.83	£31,735.00	£32,510.00
2.0 TDI quattro	170PS	6-speed manual	149	£27,637.50	£33,165.00	£33,940.00
2.7 TDI	190PS	multitronic	169	£28,875.00	£34,650.00	£35,560.00
3.0 TDI quattro	240PS	6-speed manual	176	£30,958.33	£37,150.00	£38,110.00

**Please note:** The maximum power output figures are quoted in PS (or Pferdestärke, which is the metric equivalent of brake horsepower). To convert to brake horsepower, divide the PS figure by 1.0139.

**Recommended On-The-Road (OTR) retail prices include:** delivery charge, half a tank of fuel, number plates at £590.00 (inc. VAT), Road Fund Licence (which may vary depending on model/transmission – see page 74 for details) and first registration fee at £55.00. Vehicle Excise Duty correct at time of going to print, but this may alter to reflect any change in the applicable VED rate.

RRP – Recommended Retail Price. VAT is calculated at 20% but this may alter to reflect any change in the applicable VAT rate.

## A4 allroad

Engines	Power	Transmissions	CO <sub>2</sub> g/km	Basic RRP	Total RRP inc VAT	Recommended OTR
2.0 TFSI quattro	211PS	7-speed S tronic	194	£26,537.50	£31,845.00	£32,935.00
2.0 TDI quattro	170PS	6-speed manual	164	£25,304.17	£30,365.00	£31,175.00
3.0 TDI quattro	240PS	7-speed S tronic	189	£29,858.33	£35,830.00	£36,920.00

## S4 quattro® Saloon

Engines	Power	Transmissions	CO <sub>2</sub> g/km	Basic RRP	Total RRP inc VAT	Recommended OTR
3.0 TFSI quattro	333PS	6-speed manual	234	£29,912.50	£35,895.00	£37,330.00

## S4 quattro® Avant

Engines	Power	Transmissions	CO <sub>2</sub> g/km	Basic RRP	Total RRP inc VAT	Recommended OTR
3.0 TFSI quattro	333PS	6-speed manual	239	£30,912.50	£37,095.00	£38,530.00

**Please note:** The maximum power output figures are quoted in PS (or Pferdestärke, which is the metric equivalent of brake horsepower). To convert to brake horsepower, divide the PS figure by 1.0139.

**Recommended On-The-Road (OTR) retail prices include:** delivery charge, half a tank of fuel, number plates at £590.00 (inc. VAT), Road Fund Licence (which may vary depending on model/transmission – see page 74 for details) and first registration fee at £55.00. Vehicle Excise Duty correct at time of going to print, but this may alter to reflect any change in the applicable VED rate.

RRP – Recommended Retail Price. VAT is calculated at 20% but this may alter to reflect any change in the applicable VAT rate.

## Transmissions

### A4 and S4 Saloon and Avant

	Automatic 6-speed tiptronic transmission	Automatic 8-speed multitronic transmission	Automatic 7-speed S tronic transmission
1.8 TFSI 120PS	–	–	–
1.8 TFSI 160PS	–	•	–
2.0 TFSI	–	•	–
2.0 TFSI quattro	–	–	•
3.2 FSI	–	S	–
3.2 FSI quattro	•	–	–
S4 quattro	–	–	•
2.0 TDIe 136PS	–	–	–
2.0 TDI 143PS	–	S	–
2.0 TDI 170PS	–	–	–
2.0 TDI quattro 170PS	–	–	–
2.7 TDI	–	S	–
3.0 TDI quattro	–	–	•
<b>Basic RRP</b>	£1,191.67	£1,233.33	£1,233.33
<b>Total RRP inc VAT</b>	£1,430.00	£1,480.00	£1,480.00

## Transmissions

### A4 allroad

	Automatic 7-speed S tronic transmission
2.0 TFSI quattro	S
2.0 TDI quattro 170PS	–
3.0 TDI quattro	S
<b>Basic RRP</b>	No charge
<b>Total RRP inc VAT</b>	No charge

– = Not available

• = Available

S = Standard



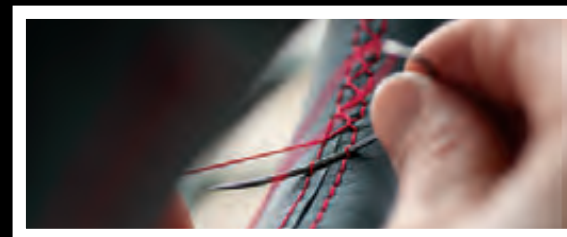
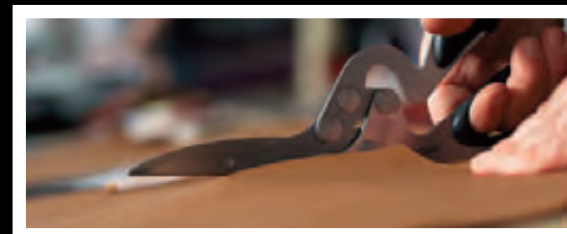


## Audi exclusive



Every Audi is intrinsically exclusive. It's the breathtaking design, the exceptional engineering, the Vorsprung durch Technik. But for that special touch you can specify your new A4 with options from Audi exclusive. Whether you want a unique, custom-mixed paint colour or seats in a combination of complementary shades, Audi exclusive will enable you to drive the car you've always imagined.

Both the exclusive and standard options can be found on the following pages.



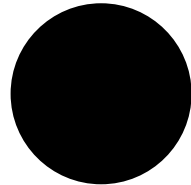
# Paint

You can select one of the standard colours shown opposite or, for a different look, choose from a range of optional finishes.

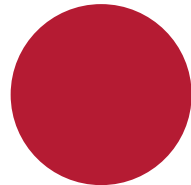
## Standard colours



Ibis white – T9

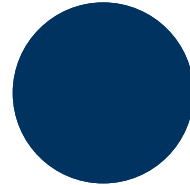


Brilliant black – A2

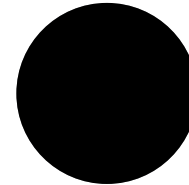


Brilliant red – C8  
(not available on A4 allroad)

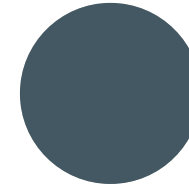
## Optional colours



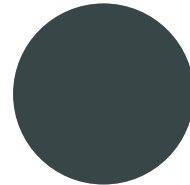
Aruba blue, pearl effect – Q9  
(not available on S4 or A4 allroad)



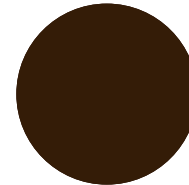
Lava grey, pearl effect – 1R  
(not available on S4)



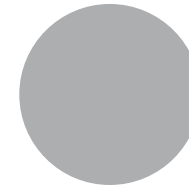
Sphere blue, metallic – 9F  
(not available on S4)



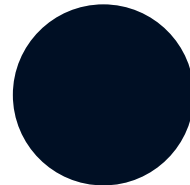
Monsoon grey, metallic – 0C



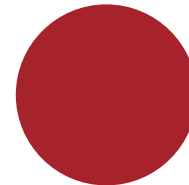
Teak brown, metallic – 4U  
(not available on S4)



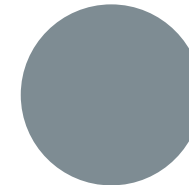
Ice silver, metallic – P5



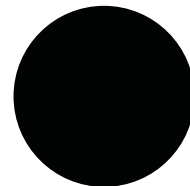
Moonlight blue, metallic – W1



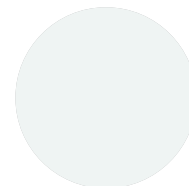
Garnet red, pearl effect – 9C



Quartz grey, metallic – Q4  
(not available on A4 allroad)



Phantom black, pearl effect – L8



Glacier white, metallic – 2Y

Options are subject to availability and may extend delivery.

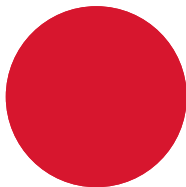
All the colour swatches on this page are matched as accurately as possible to the actual paint colours used. However, due to print processes, Audi UK cannot guarantee that colours shown are 100% accurate.

Visit your local Audi Centre for a more accurate colour swatch.

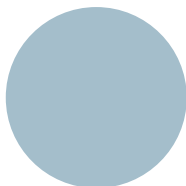
RRP – Recommended Retail Price.

VAT is calculated at 20% but this may alter to reflect any change in the applicable VAT rate.

## S line and Black Edition colours



Misano red, pearl effect – N9  
(not available on S4 or A4 allroad)



Monza silver, metallic – U7  
(not available on S4 or A4 allroad)

### Optional colours

**Basic RRP**  
£512.50

**Total RRP inc VAT**  
£615.00

# Paint

## Audi exclusive

Everyone has a favourite colour. No matter what yours is, Audi exclusive provides a range of unique colours that have been designed to set your car apart. Choose from the swatches here, or specify any other paint colour in the Audi range – whether it's Jet blue from the Audi R8 or Alpine white from the original Audi quattro®. The choice is yours.

## Customised paint

If you have a particular colour in mind, we'll mix the exact metallic or pearl-effect shade you want.\*\*

\*Not available on A4 allroad.

\*\*Custom paint is subject to factory approval, and is available for metallic and pearl-effect water-based paints only. Three-colour process colours and two-tone schemes are not available.

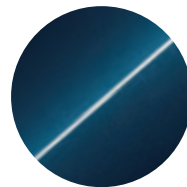
\*Visit your local Audi Centre for colour samples.

All the colour swatches on this page are matched as accurately as possible to the actual paint colours used. However, due to print processes, Audi UK cannot guarantee that colours shown are 100% accurate.

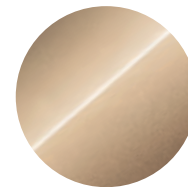
Visit your local Audi Centre for a more accurate colour swatch.

RRP – Recommended Retail Price.

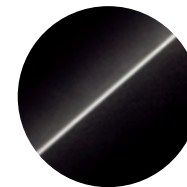
VAT is calculated at 20% but this may alter to reflect any change in the applicable VAT rate.



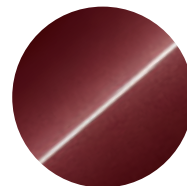
Palace blue, pearl effect



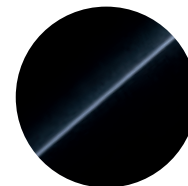
Sand beige, pearl effect



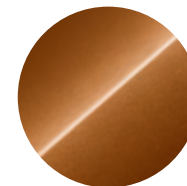
Saddle brown, pearl effect



Classic red, pearl effect



Mamba black, metallic



Ipanema brown, metallic



Any colour in the Audi range



100 Audi exclusive colours to choose from\*

### Audi exclusive

**Basic RRP**  
£1,445.83

**Total RRP inc VAT**  
£1,735.00



Customised paint

### Customised\*

**Basic RRP**  
£2,041.67

**Total RRP inc VAT**  
£2,450.00

# Upholstery

## A4 Standard seats

Choose your favourite upholstery from the swatches shown opposite to give your car's interior the look and feel you want.

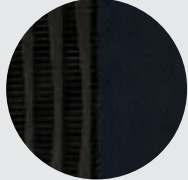
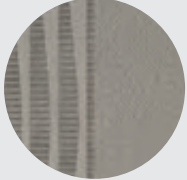












Options are subject to availability and may extend delivery.

- = Not available  
• = Available  
S = Standard

All leather upholstery choices include seats, head restraints, door inserts and front centre armrest (if fitted) in leather.

RRP - Recommended Retail Price.

VAT is calculated at 20% but this may alter to reflect any change in the applicable VAT rate.

										Standard	SE	Technik	S line	Black Edition	A4 allroad	S4 quattro	Basic RRP	Total RRP inc VAT
Cosinus cloth										S	S	-	-	-	-	-	No charge	No charge
	Black - GD	Light grey - GQ																
Arkana cloth										•	•	-	-	-	-	-	£104.17	£125.00
	Black - GD	Light grey - GQ	Cardamom beige - GR															
Milano leather										•	•	S	-	-	-	-	£1,095.83	£1,315.00
	Black - GD	Light grey - GQ	Cinnamon brown - CN	Cardamom beige - GR														
Valcona leather										-	•	-	-	-	•	-	£1,400.00	£1,680.00
	Black - GD	Light grey - GQ	Cinnamon brown - CN	Cardamom beige - GR														
										-	-	•	-	-	-	-	£304.17	£365.00
	Luxor beige - GM																	

# Upholstery

## A4 Sports seats

Options are subject to availability and may extend delivery.

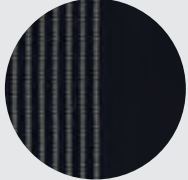

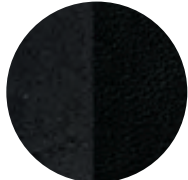
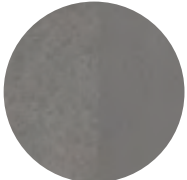
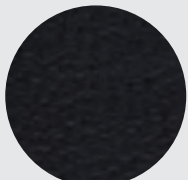




-- = Not available  
 • = Available  
 S = Standard

\*Not available on S4.

All leather upholstery choices include seats, head restraints, door inserts and front centre armrest (if fitted) in leather. Leather/Alcantara choices include head restraints, seat side bolsters and front centre armrest (if fitted) in leather with the seat centres and door inserts in Alcantara.

RRP – Recommended Retail Price.







VAT is calculated at 20% but this may alter to reflect any change in the applicable VAT rate.

										Standard	SE	Technik	S line	Black Edition	A4 allroad	S4 quattro	Basic RRP	Total RRP inc VAT	
Atrium cloth		Black – GD		Light grey – GQ	•	•	•	-	-	-	-	-	-	-	-	-	£404.17	£485.00	
Leather/Alcantara		Black – GD/ZM/SC		Light grey* – GQ	•	•	-	-	-	-	-	-	-	-	S	-	£1,183.33	£1,420.00	
Milano leather		Black – GD/ZM/SC		Light grey* – GQ	•	•	-	-	-	•	-	-	-	•	-	-	£1,500.00	£1,800.00	
					-	-	•	-	-	-	-	-	-	-	-	-	£404.17	£485.00	
					-	-	-	-	-	-	-	-	-	-	•	-	£316.67	£380.00	
Valcona leather		Black – GD		Light grey – GQ	-	•	-	-	-	-	-	-	-	•	-	-	£1,804.17	£2,165.00	
		Luxor beige – GM			-	-	•	-	-	-	-	-	-	-	-	-	£708.33	£850.00	

# Upholstery

## A4 S line seats

Choose your favourite upholstery from the swatches shown opposite to give your car's interior the look and feel you want.

	Standard	SE	Technik	S line	Black Edition	A4 allroad	S4 quattro	Basic RRP	Total RRP inc VAT
<b>Leather/cloth</b>   Black - QE      Black with silver stitching - QF	-	-	-	S	S	-	-	No charge	No charge
<b>Leather/Alcantara</b>   Black - QE      Black with silver stitching - QF	-	-	-	•	•	-	-	£404.17	£485.00
<b>Milano leather</b>  Black - QE	-	-	-	•	•	-	-	£687.50	£825.00
<b>Valcona leather</b>  Black - QE	-	-	-	•	•	-	-	£1,041.67	£1,250.00

Options are subject to availability and may extend delivery.

- = Not available
- = Available
- S = Standard

RRP – Recommended Retail Price.

VAT is calculated at 20% but this may alter to reflect any change in the applicable VAT rate.

# Upholstery

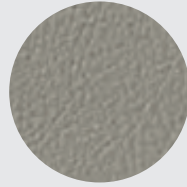
## A4 Climate Comfort seats

Actively ventilated and heated. Electrically adjustable with memory function on driver's side and lumbar support. Also includes folding and auto-dimming door mirrors with memory function. Please see p43 for image.

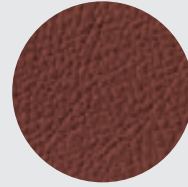
Milano leather



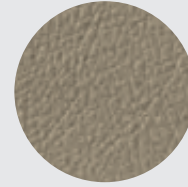
Black - GD



Light grey - GQ



Cinnamon brown - CN



Cardamom beige - GR

	Standard	SE	Technik	S line	Black Edition	A4 allroad	S4 quattro	Basic RRP	Total RRP inc VAT
Black - GD	-	•	-	-	-	-	-	£3,358.33	£4,030.00
Light grey - GQ	-	-	•	-	-	-	-	£2,254.17	£2,705.00



Options are subject to availability and may extend delivery.

- = Not available
- = Available
- S = Standard

All leather upholstery choices include seats, head restraints, door inserts and front centre armrest (if fitted) in leather.

RRP - Recommended Retail Price.


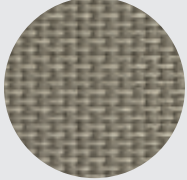

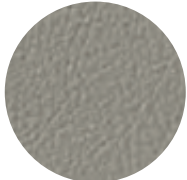
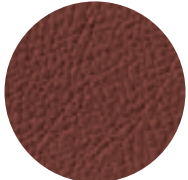
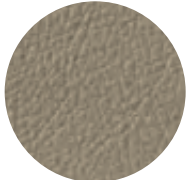





VAT is calculated at 20% but this may alter to reflect any change in the applicable VAT rate.



# Upholstery

## A4 allroad seats

Choose your favourite upholstery from the swatches shown opposite to give your car's interior the look and feel you want.

												Standard	SE	Technik	S line	Black Edition	A4 allroad	S4 quattro	Basic RRP	Total RRP inc VAT
Tundra cloth												-	-	-	-	-	S	-	No charge	No charge
	Black - GD	Light grey - CX																		
Milano leather												-	-	-	-	-	•	-	£1,095.83	£1,315.00
	Black - GD	Light grey - CX	Cinnamon brown - CN	Cardamom beige - CT																
Valcona leather												-	-	-	-	-	•	-	£1,400.00	£1,680.00
	Black - GD	Light grey - CX	Cinnamon brown - CN	Cardamom beige - CT																
																				
	Luxor beige - BY																			

Options are subject to availability and may extend delivery.

- = Not available  
• = Available  
S = Standard

All leather upholstery choices include seats, head restraints, door inserts and front centre armrest (if fitted) in leather.

RRP - Recommended Retail Price.

VAT is calculated at 20% but this may alter to reflect any change in the applicable VAT rate.

# Upholstery

## A4 allroad Sports seats


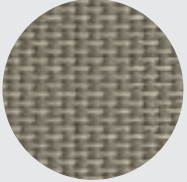
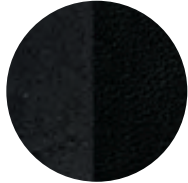








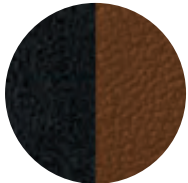
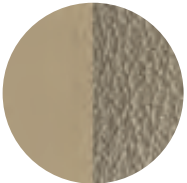
Options are subject to availability and may extend delivery.

- = Not available
- = Available
- S = Standard

All leather upholstery choices include seats, head restraints, door inserts and front centre armrest (if fitted) in leather. Leather/Alcantara choices include head restraints, seat side bolsters and front centre armrest (if fitted) in leather with the seat centres and door inserts in Alcantara.

RRP – Recommended Retail Price.

VAT is calculated at 20% but this may alter to reflect any change in the applicable VAT rate.

										Standard	SE	Technik	S line	Black Edition	A4 allroad	S4 quattro	Basic RRP	Total RRP inc VAT	
Tundra cloth										-	-	-	-	-	•	-	£404.17	£485.00	
	Black - GD	Light grey - CX																	
Leather/Alcantara										-	-	-	-	-	•	-	£1,183.33	£1,420.00	
	Black - GD/ZM/SC	Light grey - CX																	
Milano leather										-	-	-	-	-	•	-	£1,500.00	£1,800.00	
	Black - GD	Light grey - CX	Cinnamon brown - CN	Cardamom beige - CT															
Valcona leather										-	-	-	-	-	•	-	£1,804.17	£2,165.00	
	Black - GD	Light grey - CX	Luxor beige - BY																
																			
	Cinnamon/Black - CP	Linen beige/ Cardamom beige - BZ																	

# Upholstery

## A4 allroad Climate Comfort seats

Actively ventilated and heated. Electrically adjustable with memory function on driver's side and lumbar support. Also includes folding and auto-dimming door mirrors with memory function.

Choose your favourite upholstery from the swatches shown opposite to give your car's interior the look and feel you want.

## S4 quattro® Super Sports seats\*

Options are subject to availability and may extend delivery.

- = Not available  
• = Available  
S = Standard


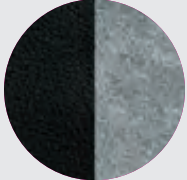

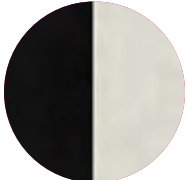


\*Must be combined with throughload facility.

All leather upholstery choices include seats, head restraints, door inserts and front centre armrest (if fitted) in leather.

RRP - Recommended Retail Price.

VAT is calculated at 20% but this may alter to reflect any change in the applicable VAT rate.

		Standard	SE	Technik	S line	Black Edition	A4 allroad	S4 quattro	Basic RRP	Total RRP inc VAT
Milano leather		-	-	-	-	-	•	-	£3,358.33	£4,030.00
		-	-	-	-	-	-	-		
		-	-	-	-	-	-	-		
		-	-	-	-	-	-	-		

		Standard	SE	Technik	S line	Black Edition	A4 allroad	S4 quattro	Basic RRP	Total RRP inc VAT
Leather/Alcantara		-	-	-	-	-	-	•	£504.17	£605.00
		-	-	-	-	-	-	-		
Silk Nappa leather		-	-	-	-	-	-	•	£841.67	£1,010.00
		-	-	-	-	-	-	-		
		-	-	-	-	-	-	-		
		-	-	-	-	-	-	-		



# Colour and trim guide

## Interior trim colours

### Standard seats

To help you choose the right interior for your new Audi A4, please use this guide, showing the carpet, dashboard and headlining colours that have been matched to your chosen upholstery.

### Sports seats – PS1

### S line Sports seats

Options are subject to availability and may extend delivery.

- = Not available
- = Available
- S = Standard

## A4/S4 Saloon and Avant colour and trim guide

Order Code	Upholstery	Carpet	Dashboard (upper/lower)	Headlining	Cosinus cloth (N2M)	Arkana cloth (N0L)	Milano leather (N5W)	Valcona leather (N5D)
<b>GD</b>	Black	Black	Black/Black	Star silver	•	•	•	•
<b>GM</b>	Luxor beige	Black	Black/Black	Black	–	–	–	•
<b>CN</b>	Cinnamon brown	Black	Black/Black	Star silver	–	–	•	•
<b>GQ</b>	Light grey	Quartz grey	Graphite grey/Graphite grey	Star silver	•	•	•	•
<b>GR</b>	Cardamom beige	Coriander beige	Tan beige/Tan beige	Linen beige	–	•	•	•

Order Code	Upholstery	Carpet	Dashboard (upper/lower)	Headlining	Atrium cloth (N2E)	Leather/Alcantara (N7U)	Milano leather (N5W)	Valcona leather (N5D)
<b>GD</b>	Black	Black	Black/Black	Star silver	•	•	•	•
<b>GM</b>	Luxor beige	Black	Black/Black	Black	–	–	–	•
<b>CN</b>	Cinnamon brown	Black	Black/Black	Star silver	–	–	•	•
<b>GQ</b>	Light grey	Quartz grey	Graphite grey/Graphite grey	Star silver	•	•	•	•
<b>GR</b>	Cardamom beige	Coriander beige	Tan beige/Tan beige	Linen beige	–	–	•	•

Order Code	Upholstery	Carpet	Dashboard (upper/lower)	Headlining	Cloth/leather (N7V)	Leather/Alcantara (N7K)	Milano leather (N1Y)	Valcona leather (N1V)
<b>QE</b> (Black stitching)	Black	Black	Black/Black	Black	•	•	•	•
<b>QF</b> (Silver stitching)	Black	Black	Black/Black	Black	•	•	–	–

# Colour and trim guide

## Interior trim colours

### S4 Sports seats

### S4 Super Sports seats – PS6, 3X2 – with S embossing

### Climate comfort seats – PS8, PV3, 4A3, 6XL

Options are subject to availability and may extend delivery.

- = Not available  
 ● = Available  
 S = Standard

## A4/S4 Saloon and Avant colour and trim guide

Order Code	Upholstery	Carpet	Dashboard (upper/lower)	Headlining	Leather/Alcantara (N7U)	Milano leather (N5W)
ZM/SC	Black	Black	Black/Black	Black or Silver	●	●

Order Code	Upholstery	Carpet	Dashboard (upper/lower)	Headlining	Leather/Alcantara (N7N)	Silk Nappa leather (N1U)
ZM/SC	Black	Black	Black/Black	Black or Silver	●	●
SP/SQ	Spectral silver/Black	Black	Black/Black	Black or Silver	●	●
FA/SJ	Magma red/Black	Black	Black/Black	Black or Silver	–	●
SH/SK	Mustang brown/Black	Black	Black/Black	Black or Silver	–	●

Order Code	Upholstery	Carpet	Dashboard (upper/lower)	Headlining	Milano leather (N5W)
GD	Black	Black	Black/Black	Star silver	●
CN	Cinnamon brown	Black	Black/Black	Star silver	●
GQ	Light grey	Quartz grey	Graphite grey/Graphite grey	Star silver	●
GR	Cardamom beige	Coriander beige	Tan beige/Tan beige	Linen beige	●

# Colour and trim guide

## Interior trim colours

### Standard seats

To help you choose the right interior for your new Audi A4, please use this guide, showing the carpet, dashboard and headlining colours that have been matched to your chosen upholstery.

### Sports seats – PS1

### Climate Comfort seats – PS8, PV3, 4A3, 6XL

Options are subject to availability and may extend delivery.

– = Not available  
● = Available  
S = Standard

## A4 allroad colour and trim guide

Order Code	Upholstery	Carpet	Dashboard (upper/lower)	Headlining	Tundra cloth (N2W)	Milano leather (N5W)	Valcona leather (N5D)
GD	Black	Black	Black/Black	Silver	●	●	●
CN	Cinnamon brown	Black	Black/Black	Silver	–	●	●
CX	Light grey	Black	Black/Black	Silver	●	●	●
BY	Luxor beige	Black	Black/Black	Linen beige	–	–	●
CT	Cardamom beige	Coriander beige	Tan beige/Tan beige	Linen beige	–	●	●

Order Code	Upholstery	Carpet	Dashboard (upper/lower)	Headlining	Tundra cloth (N2W)	Leather/Alcantara (N7U)	Milano leather (N5W)	Valcona leather (N5D)
GD	Black	Black	Black/Black	Silver	●	●	●	●
CN	Cinnamon brown	Black	Black/Black	Silver	–	–	●	–
CP	Cinnamon brown/Black	Black	Black/Black	Silver	–	–	–	●
CX	Light grey	Black	Black/Black	Silver	●	●	●	●
BY	Luxor beige	Black	Black/Black	Linen beige	–	–	–	●
BZ	Linen beige/ Cardamom beige	Coriander beige	Tan beige/Tan beige	Linen beige	–	–	–	●
CT	Cardamom beige	Coriander beige	Tan beige/Tan beige	Linen beige	–	–	●	–

Order Code	Upholstery	Carpet	Dashboard (upper/lower)	Headlining	Milano leather (N5W)
GD	Black	Black	Black/Black	Silver	●
CX	Light grey	Black	Black/Black	Silver	●
CT	Cardamom beige	Coriander beige	Tan beige/Tan beige	Linen beige	●

# Colour and trim guide

## Interior trim colours

### Solid paint

### Metallic paint

### Pearl-effect paint

Options are subject to availability and may extend delivery.

- = Not available
- = Available
- S = Standard

## A4 allroad exterior colours and bumper guide

Order Code	Exterior Colour	Ebony coloured bumper	Platinum grey coloured bumper
T9	Ibis white	•	–
A2	Brilliant black	–	•

Order Code	Exterior Colour	Ebony coloured bumper	Platinum grey coloured bumper
P5	Ice silver	•	–
9F	Sphere blue	•	–
4U	Teak brown	–	•
W1	Moonlight blue	–	•
0C	Monsoon grey	–	•
2Y	Glacier white	•	–

Order Code	Exterior Colour	Ebony coloured bumper	Platinum grey coloured bumper
9C	Garnet red	•	–
L8	Phantom black	–	•
1R	Lava grey	–	•



# Upholstery

## Audi exclusive

With Audi exclusive, you can specify your seats in Valcona leather or Valcona leather/Alcantara, in an array of different colours shown to the right.

Select just one all-over shade for each seat, or customise each panel in two or more complementary colours from the distinctive Audi exclusive palette. You can even choose the colour of the decorative stitching – to match or contrast with your chosen upholstery – from this varied collection. Whatever combination you decide upon, we think you'll be extremely comfortable with the result.

Options are subject to availability and may extend delivery.

– = Not available  
• = Available  
S = Standard

\*Leather and stitching (where applicable) can be specified in a variety of colours from the Audi exclusive range.

RRP – Recommended Retail Price.

VAT is calculated at 20% but this may alter to reflect any change in the applicable VAT rate.

Order Code		Standard	SE	Technik	S line	Black Edition	A4 allroad	S4 quattro	Basic RRP	Total RRP inc VAT
<b>PYB S3G</b>	<b>Audi exclusive leather package 1 in Valcona leather.</b> Includes leather-covered seat upholstery, door trim inserts and front centre armrest. Backrest covers and seat add-on parts come in the interior trim colour*	–	•	•	•	•	•	•	£3,191.67	£3,830.00
<b>PYC S3G</b>	<b>Audi exclusive leather package 1 in Valcona leather/Alcantara.</b> Includes leather-covered seat-side trims, head restraints, front centre armrest and Alcantara door trim inserts and seat-centre sections. Backrest covers and seat add-on parts come in the interior trim colour.* Only in combination with Sports seats	–	•	•	•	•	•	•	£3,191.67	£3,830.00
<b>PYE S3G</b>	<b>Audi exclusive leather package 2 in Valcona leather.</b> Includes all the contents of leather package 1 (PYB/S3G) plus: leather-covered seat backrest covers, door armrests and handles. Seat-side trims and add-on parts are colour-coordinated	–	•	•	•	•	•	•	£3,616.67	£4,340.00



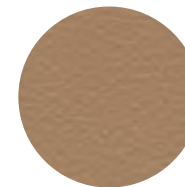
Chestnut brown



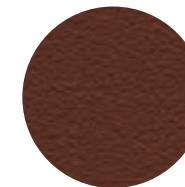
Jet grey



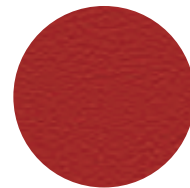
Alabaster white



Sand beige



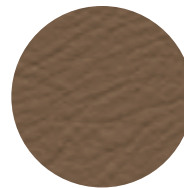
Saddle brown



Crimson red



Magnolia white



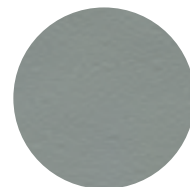
Havana brown



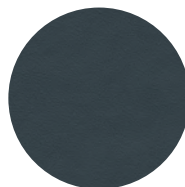
Cognac brown



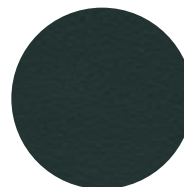
Night blue



Cloudy grey



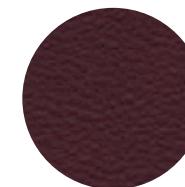
Smoky blue



Iceland green



Powder beige



Classic red

### Also available:

**Alcantara colours:** available in all the Audi exclusive colours shown, except for Crimson red, Jet grey and Sand beige. Alcantara equivalents are Chilli red, Amethyst grey, and Sesame beige respectively.

Please consult your Audi Centre for examples of Alcantara and carpet colours.

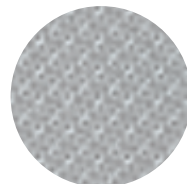


Climate comfort seats

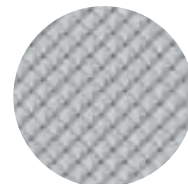
# Inlays

Inlays are the all-important finishing touch that add flair and interest to your car's interior.

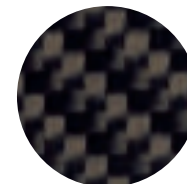
Order Code		Standard	SE	Technik	S line	Black Edition	A4 allroad	S4 quattro	Basic RRP	Total RRP inc VAT
5TE	Aluminium hologram (with aluminium optics for centre console and electromechanical parking brake)	●	S	S	-	-	-	-	£129.17	£155.00
5MU	Aluminium trigon (with aluminium optics for centre console and electromechanical parking brake)	-	-	-	-	-	●	-	£129.17	£155.00
5MK	Carbon atlas	-	-	-	-	-	-	●	£212.50	£255.00
5TK	Fine grain ash, almond beige (with aluminium optics for centre console and electromechanical parking brake)	-	●	●	-	-	-	-	£129.17	£155.00
7TL	Fine grain ash, natural	-	-	-	-	-	●	-	£383.33	£460.00
5TZ	Fine grain birch wood, grey	-	-	-	●	-	-	-	£275.00	£330.00
7TD	Laurel, nutmeg (with aluminium optics for centre console and electromechanical parking brake)	-	●	●	-	-	●	-	£129.17	£155.00
5TL	Piano finish, black	-	-	-	●	S	-	-	No charge	No charge
5MZ	Stainless steel mesh (centre console comes in Piano finish, black)	-	-	-	-	-	-	●	£304.17	£365.00
5MG	Walnut, brown (with aluminium optics for centre console and electromechanical parking brake)	-	●	●	-	-	●	-	£129.17	£155.00



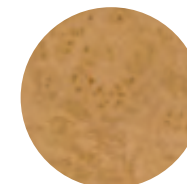
Aluminium hologram – 5TE



Aluminium trigon – 5MU



Carbon atlas – 5MK



Fine grain ash, almond beige – 5TK



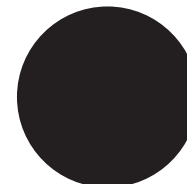
Fine grain ash, natural – 7TL



Fine grain birch wood, grey – 5TZ



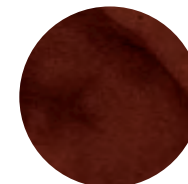
Laurel, nutmeg – 7TD



Piano finish, black – 5TL



Stainless steel mesh – 5MZ



Walnut, brown – 5MG

Options are subject to availability and may extend delivery.

- = Not available
- = Available
- S = Standard

RRP – Recommended Retail Price.

VAT is calculated at 20% but this may alter to reflect any change in the applicable VAT rate.

# Inlays

## Audi exclusive

Audi exclusive has sourced a wide range of materials which you can select for your inlays, from Sepia oak to warm Saffron poplar.

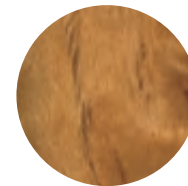
Order Code		Standard	SE	Technik	S line	Black Edition	A4 allroad	S4 quattro	Basic RRP	Total RRP inc VAT
YTA S3G	<b>Audi exclusive inlays</b> (cannot be combined with the inlays shown on page 44)	-	•	•	•	-	•	•	£675.00	£810.00



Fine grain ash, nougat



Fine grain myrtle, nutmeg



Poplar, saffron



Oak, sepia

Options are subject to availability and may extend delivery.

- = Not available
- = Available
- S = Standard

RRP – Recommended Retail Price.

VAT is calculated at 20% but this may alter to reflect any change in the applicable VAT rate.

## Wheels, tyres and suspension

Choose a set of specially-selected alloy wheels to subtly enhance the way your car looks and drives. And you can also specify Audi drive select, which allows you to change suspension and steering settings according to your driving style.



17" x 7.5J '6-spoke'  
design alloy wheels - PRE



17" x 8J '10-spoke'  
design alloy wheels - PRT



18" x 8J '15-spoke'  
design alloy wheels - PQH



18" x 8J '10-spoke exclusive'  
design alloy wheels - PQ5



18" x 8J '5-arm rotor'  
design alloy wheels - PRL



19" x 8.5J '5-segment-spoke'  
design alloy wheels - PQ6



19" x 8.5J '7-arm double-spoke'  
design alloy wheels - PQF



19" x 8.5J '20-spoke'  
design alloy wheels - PQS



19" x 9J '5-arm Rotor'  
titanium look alloy wheels - PQU

# Wheels, tyres and suspension

Order Code		Standard	SE	Technik	S line	Black Edition	A4 allroad	S4 quattro	Basic RRP	Total RRP inc VAT
PRY	17" x 7.5J '7-arm' design alloy wheels with 225/50 R17 tyres	●	S	S	—	—	—	—	£383.33	£460.00
PRE	17" x 7.5J '6-spoke' design alloy wheels with 225/50 R17 tyres	●	—	—	—	—	—	—	£475.00	£570.00
		—	●	●	—	—	—	—	£91.67	£110.00
PRT	17" x 8J '10-spoke' design alloy wheels with 245/45 R17 tyres*	●	—	—	—	—	—	—	£637.50	£765.00
		—	●	●	—	—	—	—	£254.17	£305.00
PRD	18" x 8J '5-spoke star' design alloy wheels with 245/40 R18 tyres*	—	●	●	—	—	—	—	£516.67	£620.00
PQH	18" x 8J '15-spoke' design alloy wheels with 245/40 R18 tyres*	—	●	●	—	—	—	—	£516.67	£620.00
PQ5	18" x 8J '10-spoke exclusive' design alloy wheels with 245/40 R18 tyres	—	—	—	●	—	—	—	No charge	No charge
PRL	18" x 8J '5-arm rotor' design alloy wheels with 245/45 R18 tyres	—	—	—	—	—	●	—	£133.33	£160.00
PQ6	19" x 8.5J '5-segment-spoke' design alloy wheels with 255/35 R19 tyres	—	—	—	—	●	—	—	No charge	No charge
		—	—	—	—	—	—	●	£958.33	£1,150.00
PQF	19" x 8.5J '7-arm double-spoke' design alloy wheels with 255/35 R19 tyres	—	—	—	●	—	—	—	£554.17	£665.00
		—	—	—	—	—	—	●	£304.17	£365.00
PQ5	19" x 8.5J '20-spoke' design alloy wheels with 255/35 R19 tyres	—	—	—	●	—	—	—	£554.17	£665.00
		—	—	—	—	—	—	●	£304.17	£365.00
PQU	19" x 9J '5-arm Rotor' titanium look alloy wheels with 255/35 R19 tyres	—	—	—	—	S	—	●	£1,041.67	£1,250.00
1BE	<b>Sports suspension</b> , with stiffer springs and stiffer shock absorbers (standard on 2.0 TDI/TDIE 136PS models)	—	●	●	S	S	—	—	£212.50	£255.00
1BV	<b>S line Sports suspension</b> , with stiffer springs, stiffer shock absorbers and a 30mm lower ride height	—	—	—	●	●	—	—	No charge	No charge
2H1	<b>Audi drive select</b> . Audi drive select changes your car's handling and responses at the touch of a button to suit the way you want to drive. There are four modes: comfort, dynamic, auto and individual. Please note that you can only choose the 'individual' mode and customise your settings if you also have Satellite Navigation installed (must be combined with dynamic steering and/or damper control and/or quattro® Sports differential). Not available on Avant 2.0 TDIE	—	●	●	●	●	●	●	£183.33	£220.00
1N7	<b>Dynamic steering</b> . With this new technology, driving is significantly more agile under everyday conditions, while directional stability and precision are increased at high speeds and in demanding driving situations (must be combined with Audi drive select)	—	●	●	●	●	●	●	£604.17	£725.00
1BL	<b>Damper control</b> . Formed on the basis of lowered Sports suspension, the optional damper control system fine tunes suspension settings according to road conditions and driver needs (must be combined with Audi drive select). Not available on 1.8 TFSI 120PS models or in combination with S line Sports suspension	—	●	●	—	—	—	—	£566.67	£680.00
		—	—	—	●	●	—	●	£250.00	£300.00
GH2	<b>Audi quattro Sports differential</b> (must be combined with Audi drive select – only available on 3.0 TDI, 3.2 FSI quattro and 3.0 TFSI quattro engines)	—	●	●	●	●	—	●	£516.67	£620.00

Options are subject to availability and may extend delivery.

— = Not available  
● = Available  
S = Standard

\*Not available on Avant 2.0 TDIE.

RRP – Recommended Retail Price.

VAT is calculated at 20% but this may alter to reflect any change in the applicable VAT rate.

# Packages

Some items work well together, which is why we've created these special packages. They provide increased convenience and value by combining several of our most popular options.

Options are subject to availability and may extend delivery.

- = Not available
- = Available
- S = Standard

RRP – Recommended Retail Price.

VAT is calculated at 20% but this may alter to reflect any change in the applicable VAT rate.

Order Code		Standard	SE	Technik	S line	Black Edition	A4 allroad	S4 quattro	Basic RRP	Total RRP inc VAT
<b>WB3 QV3</b>	<b>Sound package.</b> Bang & Olufsen sound system and DAB digital radio	-	•	•	•	S	•	•	£500.00	£600.00
<b>WB4 7X4 001</b>	<b>Technology package – Low.</b> Satellite Navigation system – DVD-based with Audi Music Interface and Audi parking system plus	Avant	-	-	S	•	-	•	£1,270.83	£1,525.00
		Saloon	-	-	-	•	-	-	£958.33	£1,150.00
<b>WB7 7X4 001</b>	<b>Technology package – High.</b> HDD Satellite Navigation system with MMI 3G, Audi Music Interface and Audi parking system plus	Avant	-	•	-	•	•	•	£1,662.50	£1,995.00
		Saloon	-	-	-	•	-	-	£1,525.00	£1,830.00
		Saloon	-	-	-	-	•	-	-	£1,350.00
		-	-	•	-	-	-	£391.67	£470.00	

**Satellite Navigation system – DVD-based.** DVD-based route-planning and guidance with MMI control logic and 6.5" colour monitor, 3D map display, RDS radio, DVD player for navigation system, audio or MP3 CDs. Includes European coverage disc

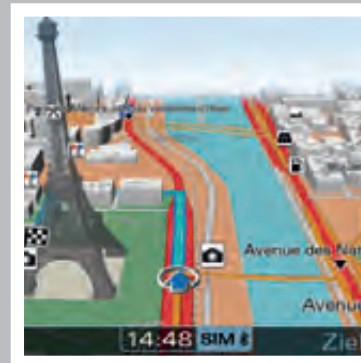
**Satellite Navigation system – HDD-based, with MMI 3G.** 3rd generation of MMI including 2 FM tuners, high resolution (800x400) 7" colour TFT display, DVD movie-playing function, colour Driver's Information System, 2 SD card readers and 40GB hard drive – 10GB of which can be used to store up to 4,000 songs. HDD navigation functionality includes advanced speech recognition, 3D and topographical mapping display and advanced 3D building display



Audi Music Interface



MMI 3G control – High (part of HDD Satellite Navigation)



Advanced 3D building display (part of HDD navigation)



Audi parking system plus





# Audio and communication

Stay in touch using our range of communication functions, and give each journey its own soundtrack with our advanced audio equipment.

Options are subject to availability and may extend delivery.

- = Not available  
 • = Available  
 S = Standard

RRP - Recommended Retail Price.

VAT is calculated at 20% but this may alter to reflect any change in the applicable VAT rate.

Order Code		Standard	SE	Technik	S line	Black Edition	A4 allroad	S4 quattro	Basic RRP	Total RRP inc VAT
<b>8UD</b>	<b>Concert radio.</b> AM/FM twin tuner with TP memo function. Single front-loading CD player with MP3 compatibility. Active front and rear speakers. Includes colour centre console screen, SD memory-card reader and AUX-IN socket	•	S	S	S	S	S	S	£250.00	£300.00
<b>8UM</b>	<b>Symphony radio.</b> AM/FM twin tuner with TP memo function. Front-loading 6-CD changer with MP3 compatibility and active front and rear speakers. Includes colour centre console screen, SD memory-card reader and AUX-IN socket. Cannot be combined with Satellite Navigation	•	-	-	-	-	-	-	£483.33	£580.00
<b>QV3</b>	<b>DAB digital radio.</b> Integrated into MMI, receives digitally-transmitted radio stations in addition to the range of analogue stations. Displays music track, artist and radio program. Reception dependent on local digital network. Automatic switch from DAB to FM reception if the network signal is not strong enough	-	•	•	•	S	•	•	£233.33	£280.00
<b>9VK</b>	<b>Bang &amp; Olufsen sound system.</b> Designed specifically for the Audi A4, providing surround sound reproduction with dynamic compensation for road noise, digital amplifier and 14 high-performance loudspeakers. Output 505 Watts	-	•	•	•	S	•	•	£254.17	£305.00
<b>PNW</b>	<b>Satellite Navigation system - DVD-based.</b> Includes MMI High and colour Driver's Information System (DIS). Integrated into the MMI is a clear map display with special destinations indicated by symbols, high-speed map loading, zoom function, bird's-eye view function, selection of address book destinations, target memory, dynamic route guidance with TMC (with vehicle life subscription), including Europe DVD (where digitised). CD changer is recommended with this option	-	•	S	•	•	•	•	£445.83	£535.00
		-	•	S	•	•	•	•	£1,350.00	£1,620.00



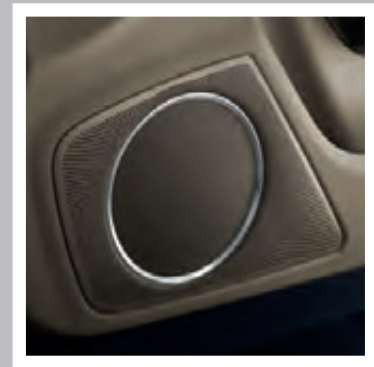
Symphony Radio



DVD Satellite Navigation



Mobile telephone preparation - High



Bang & Olufsen sound system

# Audio and communication

Order Code		Standard	SE	Technik	S line	Black Edition	A4 allroad	S4 quattro	Basic RRP	Total RRP inc VAT
9ZX	<b>Mobile telephone preparation – Bluetooth interface.</b> Provides handsfree connection via Bluetooth using mobile phone aerial. Please contact your Audi Centre for phone compatibility. Only in combination with multi-function steering wheel. Cannot be combined with Audi Chorus radio	●	S	S	S	S	S	S	£216.67	£260.00
PT5	<b>Mobile telephone preparation – Low with Bluetooth and voice control.</b> Provides handsfree connection via Bluetooth using mobile phone aerial. Alternatively, it can use a cradle with charging facility for optimal reception via external aerial. Located in front centre armrest. Cradle available at extra cost – please contact your Audi Centre for phone compatibility. Only in combination with multi-function steering wheel. Cannot be combined with Chorus radio	●	–	–	–	–	–	–	£445.83	£535.00
		–	●	●	●	●	●	●	£145.83	£175.00
9ZW	<b>Mobile telephone preparation – High with Bluetooth.</b> Provides handsfree connection using an external aerial for optimal reception via a Bluetooth interface. Please note that your mobile phone must have SIM-Access Profile facility for full functionality. Only in combination with a technology package	–	●	●	●	●	●	●	£379.17	£455.00
PT4	<b>Mobile telephone preparation – High with Bluetooth privacy handset located in front centre armrest.</b> The cordless handset allows passengers to make private calls, providing remote control of the telephone functions as well as convenient SMS text message function. The handset is charged from a docking station in the front centre armrest. SIM card can be integrated directly into the handset if the mobile phone does not have SIM-Access Profile (SAP). Only in combination with a technology package	–	●	●	●	●	●	●	£633.33	£760.00
UF7 001	<b>Audi Music Interface (AMI).</b> Universal connection for use with stereo audio sources, USB and MP3 devices including Apple iPod generation 4 onwards (iPod, iPod classic, iPod mini, iPod nano, iPod photo, iPod video, iPod touch). Provides intuitive control through the audio system and multi-function steering wheel. It also replicates the iPod display on the audio screen and DIS, including track titles. The interface provides a charging function (dependent on device). Includes 2 cables to connect your iPod or USB MP3 device	–	●	S	●	S	●	●	£212.50	£255.00
7A6	<b>CD changer</b> (only in combination with Satellite Navigation system – DVD-based or technology package low)	–	●	●	●	●	●	●	£254.17	£305.00
7D1	<b>CD changer and DVD player.</b> 6-CD changer located in the glove box and single CD/DVD slot in centre console. Only in combination with technology package – High	–	●	●	●	●	●	●	£254.17	£305.00
9WM 002	<b>Rear Seat Entertainment.</b> Includes two detachable DVD players/monitors fitted to the back of the front seats (supplied by Audi Genuine Accessories). The backs of the front seats are fitted with mountings and power connections. The system can be used outside the car using a rechargeable battery or mains power connection, which is included in the package. Includes individual remote controls and two sets of headphones	–	●	●	●	●	●	●	£875.00	£1,050.00
QV9	<b>TV reception</b> – analogue and digital. TV tuner for reception of free-to-air TV channels Picture display only possible on MMI screen when vehicle is stationary, audio available at all times. Reception dependent upon local digital network availability. Not available on 2.0 TDIe. Only in combination with technology package – High	–	●	●	●	●	●	●	£725.00	£870.00

Options are subject to availability and may extend delivery.

- = Not available
- = Available
- S = Standard

RRP – Recommended Retail Price.

VAT is calculated at 20% but this may alter to reflect any change in the applicable VAT rate.

# Seats

Choose from a variety of different seat options so you can maintain the right driving posture at all times.

Order Code		Standard	SE	Technik	S line	Black Edition	A4 allroad	S4 quattro	Basic RRP	Total RRP inc VAT
4A3	<b>Heated front seats.</b> Individually controlled variable temperature adjustment	●	●	●	●	●	●	●	£233.33	£280.00
4A4	<b>Heated front and rear seats.</b> Individually controlled variable temperature adjustment. Not available with cloth seats. Only in combination with front centre armrest	●	●	●	●	●	●	●	£383.33	£460.00
7P1	<b>Electric lumbar support.</b> For front seats with horizontal and vertical adjustment	●	●	●	S	S	●	S	£195.83	£235.00
PV1	<b>Electrically-adjustable front seats.</b> Includes adjustment for height, forwards and backwards position, backrest angle and lumbar support  In combination with Sports seats	-	●	●	-	-	●	-	£637.50	£765.00
		-	-	-	●	●	-	S	£441.67	£530.00
PV3	<b>Convenience package.</b> Comprising electric front seats with memory function on driver's side and lumbar support. Also includes folding and auto-dimming door mirrors, with memory function	-	●	●	-	-	●	-	£1,191.67	£1,430.00
6XL		-	-	-	●	●	-	-	£995.83	£1,195.00
		-	-	-	-	-	-	●	£554.17	£665.00

Options are subject to availability and may extend delivery.

- = Not available
- = Available
- S = Standard

RRP – Recommended Retail Price.

VAT is calculated at 20% but this may alter to reflect any change in the applicable VAT rate.



# Safety and security

Intelligent technology designed to give you better all-round awareness and safety on the road.

Order Code		Standard	SE	Technik	S line	Black Edition	A4 allroad	S4 quattro	Basic RRP	Total RRP inc VAT
7X1	<b>Acoustic parking system</b> (rear only). Aids parking by acoustically indicating distances to obstacles	●	S	—	S	S	S	S	£279.17	£335.00
7X4	<b>Audi parking system plus.</b> Aids parking by acoustically and visually indicating distances to obstacles (Standard on Saloon Black Edition)	—	●	S	●	●	●	●	£270.83	£325.00
7X8	<b>Audi parking system advanced.</b> Aids parking by acoustically and visually indicating distances to obstacles with guiding lines. Measured by sensors and reversing camera. Only in combination with technology package	—	●	●	●	●	●	●	£325.00	£390.00
UH2	<b>Audi hill-hold assist.</b> Uses either the ESP system or electromechanical parking brake to hold the vehicle stationary (not available with 2.0 TDI/2.0 TFSI engines with manual gearboxes)	●	●	●	●	●	●	●	£54.17	£65.00
PU1	<b>Audi lane assist.</b> Uses a discreet camera mounted at the top of the windscreen to monitor the road ahead. The driver is warned via a vibration of the steering wheel if the vehicle is about to exit the lane unintentionally. Only in combination with 4-spoke multi-function steering wheel	—	●	●	●	●	●	—	£383.33	£460.00
7Y1	<b>Audi side assist.</b> Aids the driver when changing lane. Audi side assist monitors the area behind your car, using radar sensors located discreetly in the rear bumper, informing the driver with a visual warning signal in the door mirror if there is a vehicle in their blind spot or approaching quickly from behind. The system is activated using a button in the driver's door	—	●	●	●	●	●	●	£383.33	£460.00
4X4	<b>Rear side airbags.</b> Situated in side of rear seats	●	●	●	●	●	●	●	£212.50	£255.00
7K6	<b>Tyre pressure loss indicator.</b> A visual and acoustic warning when the system detects a potential loss of tyre pressure	●	●	●	●	●	●	●	£62.50	£75.00

Options are subject to availability and may extend delivery.

- = Not available
- = Available
- S = Standard

RRP – Recommended Retail Price.

VAT is calculated at 20% but this may alter to reflect any change in the applicable VAT rate.

# Interior equipment

Specify every detail of your car's interior with this range of exclusive options.

Order Code		Standard	SE	Technik	S line	Black Edition	A4 allroad	S4 quattro	Basic RRP	Total RRP inc VAT
4F2	<b>Advanced key.</b> Access and authorisation system which automatically exchanges data between key and vehicle, allowing the driver to keep the key in their pocket or bag at all times. To unlock and open, simply lift the exterior door handle. To lock, press the button on the handle. Pressing the Start-Stop button integrated in the centre console starts and stops the engine	—	●	●	●	●	●	●	£420.83	£505.00
8T1	<b>Cruise control.</b> For holding any speed above 25mph	●	S	S	S	S	S	S	£187.50	£225.00
8T4	<b>Adaptive cruise control (ACC).</b> Automatic distance regulation, using radar sensors to maintain required distance by braking and accelerating. Four programs (distance 1 to distance 4) set via steering column controls of the cruise control system. Not available on Avant 2.0 TDIe	—	●	●	●	●	●	●	£775.00	£930.00
VC1	<b>Garage door opener (Homelink®*).</b> Programmable radio-operated remote control for compatible doors/gates. Control buttons integrated in the front roof module	●	●	●	●	●	●	●	£150.00	£180.00
QQ1	<b>Interior light package.</b> Includes front and rear footwell lighting, active door reflectors, illuminated vanity mirrors, rear reading lights, entrance lights and illuminated glove compartment, vents and internal door controls	●	●	●	●	●	●	S	£141.67	£170.00
3GN	<b>Load-area fixing kit.</b> Includes load-area rails, telescopic bar and securing belt for dividing up luggage compartment. Only available on Avant models	●	●	●	●	●	S	●	£129.17	£155.00
6SJ	<b>Reversible load floor mat.</b> Luggage compartment floor mat can be reversed to provide a rubber mat which extends to protect rear bumper. Includes bumper cover. Only available on Avant models	●	●	●	●	●	S	●	£70.83	£85.00
3Y4	<b>Side window blinds – manual</b>	●	●	●	●	●	●	●	£83.33	£100.00
3Y2	<b>Rear window blind – electric</b> (Saloon only)	●	●	●	●	●	●	●	£200.00	£240.00
QE1	<b>Storage package.</b> Comprising storage nets on front seat back-rests, storage compartment under the front seats (if memory function is fitted, only under the front passenger seat), drinks holder in the rear centre armrest and a lockable glove compartment	●	●	●	●	●	S	●	£83.33	£100.00
6NQ	<b>Cloth headlining – black cloth headlining</b>	●	●	●	S	S	●	S	£170.83	£205.00
6E3	<b>Front centre armrest</b> with storage compartment. Includes 2 x 12V power sockets	●	S	S	S	S	S	S	£137.50	£165.00
7HB	<b>Leather armrests</b> (cannot be combined with cloth upholstery)	—	●	●	●	●	●	●	£166.67	£200.00
3X2	<b>Through-load facility.</b> Includes removable ski bag for transporting long objects	●	●	●	●	●	●	●	£137.50	£165.00
YSR S3G	<b>Audi exclusive floor mats with leather piping.</b> Includes 4 floor mats for front and rear (cannot be combined with option YSQ/S3G – Audi exclusive carpets)**	—	●	●	●	●	●	●	£254.17	£305.00
YRB S3G	<b>Audi exclusive – controls package.</b> Includes leather-covered steering wheel and gear-shift gaiter**	—	●	●	●	●	●	●	£512.50	£615.00
YSQ S3G	<b>Audi exclusive carpets.</b> Includes 4 Audi exclusive floor mats with leather piping	—	●	●	●	●	●	●	£725.00	£870.00

Options are subject to availability and may extend delivery.

— = Not available  
● = Available  
S = Standard

\*HomeLink® is a registered trademark of Johnson Controls. For information on compatibility, visit [www.homelink.com](http://www.homelink.com).

\*\*The leather, stitching and piping (where applicable) can be selected from any of the exclusive colours shown on page 42. The carpet colour can also be selected from any of the exclusive colours shown on page 42, except for Crimson red and Saddle brown.

RRP – Recommended Retail Price.

VAT is calculated at 20% but this may alter to reflect any change in the applicable VAT rate.

# Steering wheels

Our steering wheels are available in a range of textures and designs and can give you control over everything from your Satellite Navigation system to the S tronic transmission.

Options are subject to availability and may extend delivery.

\*The leather and stitching (where applicable) can be selected from any of the exclusive colours shown on page 42.

- = Not available
- = Available
- S = Standard

RRP - Recommended Retail Price.

VAT is calculated at 20% but this may alter to reflect any change in the applicable VAT rate.

Order Code		Standard	SE	Technik	S line	Black Edition	A4 allroad	S4 quattro	Basic RRP	Total RRP inc VAT
1XW	3-spoke multi-function steering wheel. Manual models only	-	•	•	S	S	-	S	£83.33	£100.00
1XX	3-spoke multi-function steering wheel with gear-shift paddles. Automatic models only	•	•	•	S	S	•	S	£204.17	£245.00
2ZQ	4-spoke multi-function steering wheel. Manual models only. Only in combination with Audi lane assist on S line models	•	-	-	-	-	-	-	£129.17	£155.00
		-	S	S	•	•	S	-	No charge	No charge
2ZS	4-spoke multi-function steering wheel with gear-shift paddles. Automatic models only. Only in combination with Audi lane assist	-	•	•	-	-	•	-	£120.83	£145.00
		-	-	-	•	•	-	•	No charge	No charge
YRH S3G	Audi exclusive leather-covered steering wheel*. Not in combination with Audi exclusive controls package	-	•	•	•	•	•	•	£304.17	£365.00
YRI S3G	Audi exclusive steering wheel in wood and leather. Wood and leather can be chosen from the Audi exclusive inlays and leather colours respectively. Only in combination with matching inlays*	-	•	•	•	•	•	•	£512.50	£615.00



# Exterior equipment

Make sure your car looks exactly as you want it to by selecting some of our striking options.

Options are subject to availability and may extend delivery.

- = Not available
- = Available
- S = Standard

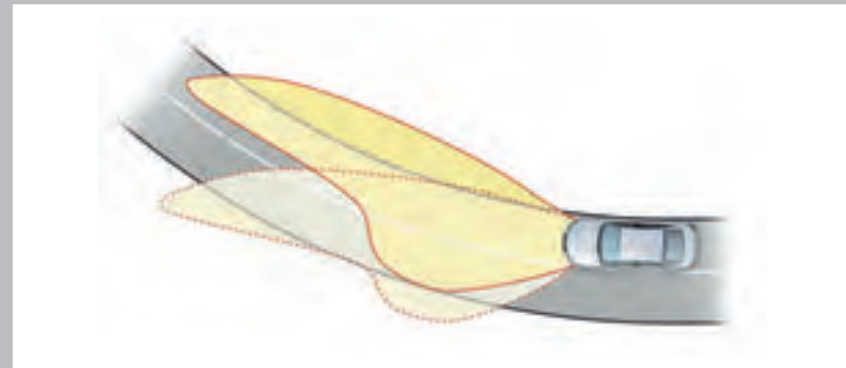
RRP – Recommended Retail Price.

VAT is calculated at 20% but this may alter to reflect any change in the applicable VAT rate.

Order Code		Standard	SE	Technik	S line	Black Edition	A4 allroad	S4 quattro	Basic RRP	Total RRP inc VAT
<b>8N7</b>	<b>High-beam assist.</b> Automatically adjusts headlights from high-beam to dipped-beam when another vehicle is approaching	-	•	•	•	•	•	•	£91.67	£110.00
<b>8Q5</b>	<b>Adaptive light.</b> Swivelling headlights for improved illumination of a winding road	-	-	-	•	•	-	•	£275.00	£330.00
<b>PX1 8Q5</b>	<b>Adaptive headlights.</b> Swivelling headlights for improved illumination of a winding road. Includes Xenon Plus headlights with LED daytime-running lights and headlight washers	•	•	•	-	-	•	-	£941.67	£1,130.00
<b>8N6</b>	<b>Light and rain sensor</b> – which controls the automatic headlights facility, the coming home/leaving home function and the automatic windscreen wipers	•	S	S	S	S	S	S	£170.83	£205.00
<b>4ZM</b>	<b>Black styling package.</b> Radiator grille-frame in highly polished black, with radiator grille, number plate holder and window surround in matt black. Avant models include black roof rails. S line includes black surround for fog-lights	•	•	•	•	S	-	•	£304.17	£365.00
<b>2Z7</b>	<b>Deletion of engine technology designation at rear</b>	•	•	•	•	•	•	-	No charge	No charge
<b>2Z0</b>	<b>Deletion of model and engine technology designation at rear</b>	•	•	•	•	•	•	•	No charge	No charge
<b>VJ1</b>	<b>Full paint finish.</b> Bumpers are painted in body colour with matt finish. Only in combination with Ibis white, Ice silver, Teak brown or Phantom black exterior colours	-	-	-	-	-	•	-	£958.33	£1,150.00



Adaptive Xenon Plus headlights with LED daytime-running lights



Adaptive light

# Exterior equipment

Order Code		Standard	SE	Technik	S line	Black Edition	A4 allroad	S4 quattro	Basic RRP	Total RRP inc VAT
4E9	<b>Power-operated tailgate.</b> Opened by pressing button on the car key, button in the driver's door trim or soft-touch button in the handle recess on the luggage compartment lid. Including lid-closing assistance unit and programmable angle for the luggage compartment lid. Only available on Avant models	●	●	●	●	●	●	●	£183.33	£220.00
VW1	<b>Privacy glass.</b> Dark tinted glass from B pillar backwards. Only available on Avant models	—	●	●	●	S	●	●	£275.00	£330.00
1D2	<b>Towing equipment</b> – removable. Factory-fitted and removable. Usually requires a 13- to 7-pin adaptor. Please consult your Audi Centre for details. Not available on Avant 2.0 TDIE	●	●	●	●	●	●	●	£554.17	£665.00
6XK	<b>Door mirrors</b> – electrically folding and auto-dimming	—	●	●	●	●	●	●	£241.67	£290.00
3FE	<b>Electric slide-and-tilt sunroof.</b> Includes position pre-selection, tinted glass insert, variable sunshield and convenience closing. Only available on Saloon models	●	●	●	●	●	—	●	£725.00	£870.00
3FU	<b>Open Sky panoramic sunroof.</b> Comprising glass roof with electric slide-and-tilt control and sunshade at front and rear. Only available on Avant models	●	●	●	●	●	●	●	£937.50	£1,125.00

Options are subject to availability and may extend delivery.

- = Not available
- = Available
- S = Standard

RRP – Recommended Retail Price.

VAT is calculated at 20% but this may alter to reflect any change in the applicable VAT rate.



Door mirrors – electrically folding



Power-operated tailgate



## Service Plan

Choosing an Audi Service Plan provides an easy way to cover all your car's scheduled servicing with a convenient monthly payment plan. It can take care of everything from fluid and filter changes to your full service, ensuring you retain a full Audi service history. There are no servicing bills to plan for and you'll continue to benefit from today's prices for the length of your agreement.

Order Code		Standard	SE	Technik	S line	Black Edition	A4 allroad	S4 quattro	Basic RRP	Total RRP inc VAT
-	<b>3-Service Plan.</b> Comprehensive package covering servicing costs for 3 services or 30,000 miles (whichever occurs sooner). Visit <a href="http://audi.co.uk/serviceplans">audi.co.uk/serviceplans</a> for full details including terms and conditions	●	●	●	●	●	●	-	£20.83	£25.00
		-	-	-	-	-	-	●	£33.33	£40.00
-	<b>5-Service Plan.</b> Comprehensive package covering servicing costs for 5 services or 50,000 miles (whichever occurs sooner). Visit <a href="http://audi.co.uk/serviceplans">audi.co.uk/serviceplans</a> for full details including terms and conditions	●	●	●	●	●	●	-	£29.17	£35.00
		-	-	-	-	-	-	●	£41.67	£50.00

## Warranty

Order Code		Standard	SE	Technik	S line	Black Edition	A4 allroad	S4 quattro	Basic RRP	Total RRP inc VAT
-	<b>Audi Warranty,</b> covering you for unlimited mileage in the first two years of ownership, and up to 60,000 miles in the third year. Transferable between owners**	S	S	S	S	S	S	S	No charge	No charge
EA6	<b>Audi Warranty,</b> covering you for up to 4 years or 75,000 miles, whichever comes soonest. Cover includes a two-year unlimited mileage warranty, and up to 75,000 miles in the third and fourth years. Transferable between owners**	●	●	●	●	●	●	●	£320.83	£385.00
EA9	<b>Audi Warranty,</b> covering you for up to 5 years or 90,000 miles, whichever comes soonest. Cover includes a two-year unlimited mileage warranty, and up to 90,000 miles in the third, fourth and fifth years. Transferable between owners**	●	●	●	●	●	●	●	£754.17	£905.00

Options are subject to availability and may extend delivery.

- = Not available  
● = Available  
S = Standard

\*Prices are based on the Audi Fixed Inspection Service Schedule and 10,000 miles per annum or less. For more information on the Service Schedule, please see page 74.

\*\*Only available when ordering your new A4. Please speak to your Audi Centre for full details.

RRP - Recommended Retail Price.

VAT is calculated at 20% but this may alter to reflect any change in the applicable VAT rate.

# Merchandise

From the enthusiasts' motorsport collection to the sophisticated Audi collection, there's a wide variety of adults' and children's clothing, lifestyle accessories and collectables, all of which bear the Audi name.

Please speak to a member of our team at your local Audi Centre to see the full Audi collection and to place an order. A selection of Audi merchandise is also available to buy from [audi.co.uk/merchandise](http://audi.co.uk/merchandise).



Audi kids



Bags and leather goods



Clothing



Motorsports



Sport and travel



Model cars

# Accessories

Choosing an Audi isn't just a matter of deciding on the model you want; it's about creating a car that suits your needs perfectly. And that's why we've developed a whole range of accessories to enhance your A4, enabling you to customise it down to the last detail. Like your Audi, all these accessories are developed to the highest possible standards. And they're all available exclusively from Audi.

To find out more, just visit [audi.co.uk/accessories](http://audi.co.uk/accessories) or contact your local Audi Centre.

## Warranty

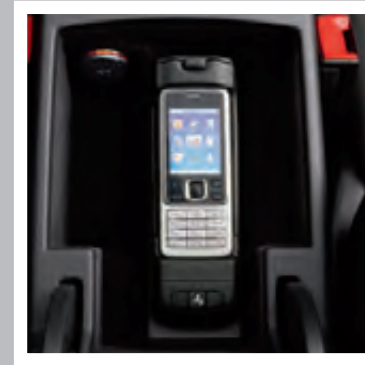
All the accessories available on the A4 are covered by a three-year warranty\* if they are ordered and included in the purchase price of the car at date of delivery. Any accessories ordered and installed after delivery include a two-year warranty.\*



Sport and design



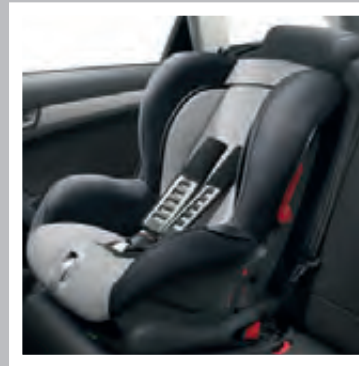
Transport and touring



Entertainment and communication



Comfort and protection



Family



Safety and security

\*Excluding Road Angel products.  
Audi Accessories warranty terms and conditions can be found at [audi.co.uk](http://audi.co.uk)

# A4 Saloon Petrol technical data

Engine	1.8 TFSI	1.8 TFSI	1.8 TFSI	2.0 TFSI	2.0 TFSI	2.0 TFSI quattro
Transmission	6-speed manual	6-speed manual	multitronic	6-speed manual	multitronic	6-speed manual
Cylinder	4-cylinder	4-cylinder	4-cylinder	4-cylinder	4-cylinder	4-cylinder
Displacement, cubic cm (valves per cylinder)	1798	1798	1798	1984	1984	1984
Max. power <sup>1</sup> , PS	120	160	160	211	211	211
Max. torque, Nm at rpm	230/1500-3650	250/1500-4500	250/1500-4500	350/1500-4200	350/1500-4200	350/1500-4200
0-62mph acceleration, seconds	10.5	8.6	8.6	6.9	6.9	6.6
Top speed, mph	130	140	140	155	150	153
CO <sub>2</sub> emissions <sup>2</sup> , g/km	164	164	169	149	167	169
Benefit in kind (BIK)%	22%	22%	23%	19%	23%	23%
Fuel consumption, mpg (l/100km) Urban	29.7 (9.5)	29.7 (9.5)	30.1 (9.4)	34.0 (8.3)	30.1 (9.4)	29.1 (9.7)
Fuel consumption, mpg (l/100km) Extra Urban	50.4 (5.6)	50.4 (5.6)	47.9 (5.9)	53.3 (5.3)	50.4 (5.7)	48.7 (5.8)
Fuel consumption, mpg (l/100km) Combined	39.8 (7.2)	39.8 (7.1)	39.2 (7.2)	44.1 (6.4)	39.8 (7.1)	38.7 (7.3)
ABI insurance group	19E	24E	24E	31E	31E	31E
Unladen weight <sup>3</sup> , kg	1410	1410	1450	1445	1445	1530
Gross weight limit, kg	1960	1960	2000	1995	2025	2080
Roof load limit/nose weight, kg	90/80	90/80	90/80	90/80	90/80	90/80
Max trailer load unbraked <sup>4</sup> , kg	740	740	750	750	750	750
Max trailer load with 12% gradient <sup>4</sup> , kg	1300	1300	1300	1500	1500	1700
Max trailer load with 8% gradient <sup>4</sup> , kg	1500	1500	1500	1700	1700	1900
Luggage compartment capacity, rear seats upright, litres	480	480	480	480	480	480
Luggage compartment capacity, rear seats folded, litres	962	962	962	962	962	962
Fuel tank capacity approx, litres	65	65	65	65	65	65

<sup>1</sup>The given value was obtained in accordance with the specified measurement procedure (the respective current version of the Directive 80/1269/EEC).

<sup>2</sup>The given values were calculated in accordance with the specified measurement procedure (the respective current version of Directive 80/1268/EEC). This information does not relate to a single vehicle and does not comprise part of the offer but is merely intended for the purpose of comparison between the different vehicle types.

<sup>3</sup>Vehicle's unladen weight without driver (calculated in accordance with the current version of Directive 80/1268/EEC). The fitting of additional equipment may increase the vehicle's unladen weight and drag coefficient, whereupon the potential carrying capacity and top speed will be correspondingly reduced.

<sup>4</sup>The engine's power output always goes down with increasing altitude. At 1,000m above sea level, and for every additional 1,000m, deduct 10% from the weight of the outfit (trailer load limit + gross weight of the towing vehicle).

# A4 Saloon Petrol technical data

Engine	2.0 TFSI quattro	3.2 FSI	3.2 FSI quattro	3.2 FSI quattro	S4 quattro	S4 quattro
Transmission	7-speed S tronic	multitronic	6-speed manual	tiptronic	6-speed manual	7-speed S tronic
Cylinder	4-cylinder	V6	V6	V6	V6	V6
Displacement, cubic cm (valves per cylinder)	1984	3197	3197	3197	2995	2995
Max. power <sup>1</sup> , PS	211	265	265	265	333	333
Max. torque, Nm at rpm	350/1500-4200	350/3000-5000	330/3000-5000	330/3000-5000	440/2900-5300	440/2900-5300
0-62mph acceleration, seconds	6.5	6.5	6.2	6.4	5.1	5.3
Top speed, mph	150	155	155	155	155	155
CO <sub>2</sub> emissions <sup>2</sup> , g/km	175	192	214	215	234	219
Benefit in kind (BIK)%	25%	28%	32%	33%	35%	33%
Fuel consumption, mpg (l/100km) Urban	30.1 (9.4)	24.4 (11.6)	21.1 (13.4)	21.6 (13.1)	20.2 (14.0)	20.9 (13.5)
Fuel consumption, mpg (l/100km) Extra Urban	44.1 (6.4)	44.1 (6.2)	42.2 (6.7)	40.4 (7.0)	37.2 (7.6)	40.4 (7.0)
Fuel consumption, mpg (l/100km) Combined	37.7 (7.5)	34.4 (8.2)	31.0 (9.1)	30.4 (9.3)	28.2 (10.0)	30.1 (9.4)
ABI insurance group	31E	32E	33E	33E	36E	36E
Unladen weight <sup>3</sup> , kg	1565	1530	1580	1610	1660	1700
Gross weight limit, kg	2115	2080	2130	2160	2210	2250
Roof load limit/nose weight, kg	90/80	90/80	90/80	90/80	90/80	90/80
Max trailer load unbraked <sup>4</sup> , kg	750	750	750	750	750	750
Max trailer load with 12% gradient <sup>4</sup> , kg	1700	1700	1900	1900	1900	1900
Max trailer load with 8% gradient <sup>4</sup> , kg	1900	1800	2100	2100	2100	2100
Luggage compartment capacity, rear seats upright, litres	480	480	480	480	480	480
Luggage compartment capacity, rear seats folded, litres	960	962	962	962	962	962
Fuel tank capacity approx, litres	64	65	64	64	64	64

<sup>1</sup>The given value was obtained in accordance with the specified measurement procedure (the respective current version of the Directive 80/1269/EEC).

<sup>2</sup>The given values were calculated in accordance with the specified measurement procedure (the respective current version of Directive 80/1268/EEC). This information does not relate to a single vehicle and does not comprise part of the offer but is merely intended for the purpose of comparison between the different vehicle types.

<sup>3</sup>Vehicle's unladen weight without driver (calculated in accordance with the current version of Directive 80/1268/EEC). The fitting of additional equipment may increase the vehicle's unladen weight and drag coefficient, whereupon the potential carrying capacity and top speed will be correspondingly reduced.

<sup>4</sup>The engine's power output always goes down with increasing altitude. At 1,000m above sea level, and for every additional 1,000m, deduct 10% from the weight of the outfit (trailer load limit + gross weight of the towing vehicle).

# A4 Saloon Diesel technical data

Engine	2.0 TDI	2.0 TDI	2.0 TDI	2.0 TDI quattro	2.7 TDI	3.0 TDI quattro	3.0 TDI quattro
Transmission	6-speed manual	multitronic	6-speed manual	6-speed manual	multitronic	6-speed manual	S tronic
Cylinder	4-cylinder	4-cylinder	4-cylinder	4-cylinder	V6	V6	V6
Displacement, cubic cm (valves per cylinder)	1968	1968	1968	1968	2698	2967	2967
Max. power <sup>1</sup> , PS	136	143	170	170	190	240	240
Max. torque, Nm at rpm	320/1750-2500	320/1750-2500	350/1750-2500	350/1750-2500	400/1400-3250	500/1500-3000	500/1500-3000
0-62mph acceleration, seconds	9.5	9.4	8.3	8.3	7.7	6.1	6.2
Top speed, mph	134	134	143	140	140	155	155
CO <sub>2</sub> emissions <sup>2</sup> , g/km	120	149	134	145	167	173	174
Benefit in kind (BIK)%	13%	22%	19%	22%	26%	27%	27%
Fuel consumption, mpg (l/100km) Urban	51.4 (5.5)	38.7 (7.3)	45.6 (6.2)	40.9 (6.9)	35.8 (7.9)	32.1 (8.8)	34.0 (8.3)
Fuel consumption, mpg (l/100km) Extra Urban	70.6 (4.0)	58.9 (4.8)	64.2 (4.4)	60.1 (4.7)	51.4 (5.5)	53.3 (5.3)	49.6 (5.7)
Fuel consumption, mpg (l/100km) Combined	61.4 (4.6)	48.7 (5.8)	55.4 (5.1)	51.4 (5.5)	44.1 (6.4)	42.8 (6.6)	42.8 (6.6)
ABI insurance group	23E	23E	26E	26E	27E	33E	33E
Unladen weight <sup>3</sup> , kg	1475	1495	1465	1560	1595	1655	1690
Gross weight limit, kg	2025	2045	2015	2110	2145	2205	2240
Roof load limit/nose weight, kg	90/80	90/80	90/80	90/80	90/80	90/80	90/80
Max trailer load unbraked <sup>4</sup> , kg	750	750	750	750	750	750	750
Max trailer load with 12% gradient <sup>4</sup> , kg	1300	1700	1600	1600	1700	1900	1900
Max trailer load with 8% gradient <sup>4</sup> , kg	1500	1900	1800	1800	1900	2100	2100
Luggage compartment capacity, rear seats upright, litres	480	480	480	480	480	480	480
Luggage compartment capacity, rear seats folded, litres	962	962	962	962	962	962	962
Fuel tank capacity approx, litres	65	65	65	64	65	64	64

<sup>1</sup>The given value was obtained in accordance with the specified measurement procedure (the respective current version of the Directive 80/1269/EEC).

<sup>2</sup>The given values were calculated in accordance with the specified measurement procedure (the respective current version of Directive 80/1268/EEC). This information does not relate to a single vehicle and does not comprise part of the offer but is merely intended for the purpose of comparison between the different vehicle types.

<sup>3</sup>Vehicle's unladen weight without driver (calculated in accordance with the current version of Directive 80/1268/EEC). The fitting of additional equipment may increase the vehicle's unladen weight and drag coefficient, whereupon the potential carrying capacity and top speed will be correspondingly reduced.

<sup>4</sup>The engine's power output always goes down with increasing altitude. At 1,000m above sea level, and for every additional 1,000m, deduct 10% from the weight of the outfit (trailer load limit + gross weight of the towing vehicle).



# A4 Avant

## Petrol

### technical data

Engine	1.8 TFSI	1.8 TFSI	1.8 TFSI	2.0 TFSI	2.0 TFSI	2.0 TFSI quattro
Transmission	6-speed manual	6-speed manual	multitronic	6-speed manual	multitronic	6-speed manual
Cylinder	4-cylinder	4-cylinder	4-cylinder	4-cylinder	4-cylinder	4-cylinder
Displacement, cubic cm (valves per cylinder)	1798	1798	1798	1984	1984	1984
Max. power <sup>1</sup> , PS	120	160	160	211	211	211
Max. torque, Nm at rpm	230/1500-3650	250/1500-4500	250/1500-4500	350/1500-4200	350/1500-4200	350/1500-4200
0-62mph acceleration, seconds	10.8	8.9	8.9	7.1	7.4	6.7
Top speed, mph	128	140	138	150	150	148
CO <sub>2</sub> emissions <sup>2</sup> , g/km	169	169	174	154	172	174
Benefit in kind (BIK)%	23%	23%	24%	20%	24%	24%
Fuel consumption, mpg (l/100km) Urban	29.4 (9.6)	29.4 (9.6)	29.4 (9.6)	33.6 (8.4)	29.1 (9.8)	28.8 (9.8)
Fuel consumption, mpg (l/100km) Extra Urban	48.7 (5.8)	48.7 (5.8)	44.8 (6.3)	50.4 (5.6)	47.9 (5.9)	46.3 (6.1)
Fuel consumption, mpg (l/100km) Combined	39.2 (7.2)	39.2 (7.2)	37.7 (7.5)	42.8 (6.6)	38.7 (7.3)	37.7 (7.5)
ABI insurance group	19E	24E	24E	31E	31E	31E
Unladen weight <sup>3</sup> , kg	1470	1470	1510	1495	1530	1575
Gross weight limit, kg	2040	2040	2080	2065	2100	2145
Roof load limit/nose weight, kg	90/80	90/80	90/80	90/80	90/80	90/80
Max trailer load unbraked <sup>4</sup> , kg	750	750	750	750	750	750
Max trailer load with 12% gradient <sup>4</sup> , kg	1300	1300	1300	1500	1500	1700
Max trailer load with 8% gradient <sup>4</sup> , kg	1500	1500	1500	1700	1700	1900
Luggage compartment capacity, rear seats upright, litres	490	490	490	490	490	490
Luggage compartment capacity, rear seats folded, litres	1430	1430	1430	1430	1430	1430
Fuel tank capacity approx, litres	65	65	65	65	65	64

<sup>1</sup>The given value was obtained in accordance with the specified measurement procedure (the respective current version of the Directive 80/1269/EEC).

<sup>2</sup>The given values were calculated in accordance with the specified measurement procedure (the respective current version of Directive 80/1268/EEC). This information does not relate to a single vehicle and does not comprise part of the offer but is merely intended for the purpose of comparison between the different vehicle types.

<sup>3</sup>Vehicle's unladen weight without driver (calculated in accordance with the current version of Directive 80/1268/EEC). The fitting of additional equipment may increase the vehicle's unladen weight and drag coefficient, whereupon the potential carrying capacity and top speed will be correspondingly reduced.

<sup>4</sup>The engine's power output always goes down with increasing altitude. At 1,000m above sea level, and for every additional 1,000m, deduct 10% from the weight of the outfit (trailer load limit + gross weight of the towing vehicle).



# A4 Avant Petrol technical data

Engine	2.0 TFSI quattro	3.2 FSI	3.2 FSI quattro	3.2 FSI quattro	S4 quattro	S4 quattro
Transmission	7-speed S tronic	multitronic	6-speed manual	tiptronic	6-speed manual	7-speed S tronic
Cylinder	4-cylinder	V6	V6	V6	V6	V6
Displacement, cubic cm (valves per cylinder)	1984	3197	3197	3197	2995	2995
Max. power <sup>1</sup> , PS	211	265	265	265	333	333
Max. torque, Nm at rpm	350/1500-4200	330/3000-5000	330/3000-5000	330/3000-5000	440/2900-5300	440/2900-5300
0-62mph acceleration, seconds	6.6	6.6	6.4	6.6	5.2	5.4
Top speed, mph	145	155	155	155	155	155
CO <sub>2</sub> emissions <sup>2</sup> , g/km	179	197	219	219	239	224
Benefit in kind (BIK)%	25%	29%	33%	33%	35%	34%
Fuel consumption, mpg (l/100km) Urban	29.4 (9.6)	24.4 (11.6)	20.8 (13.6)	21.4 (13.2)	19.9 (14.2)	20.5 (13.8)
Fuel consumption, mpg (l/100km) Extra Urban	42.2 (6.7)	43.5 (6.5)	40.9 (6.9)	39.8 (7.1)	36.2 (7.8)	38.7 (7.3)
Fuel consumption, mpg (l/100km) Combined	36.2 (7.8)	33.6 (8.4)	30.1 (9.4)	30.1 (9.4)	27.7 (10.2)	29.1 (9.7)
ABI insurance group	31E	32E	33E	33E	36E	36E
Unladen weight <sup>3</sup> , kg	1605	1590	1630	1660	1720	1750
Gross weight limit, kg	2175	2160	2200	2230	2290	2320
Roof load limit/nose weight, kg	90/80	90/80	90/80	90/80	90/80	90/80
Max trailer load unbraked <sup>4</sup> , kg	750	750	750	750	750	750
Max trailer load with 12% gradient <sup>4</sup> , kg	1700	1700	1900	1900	1900	1900
Max trailer load with 8% gradient <sup>4</sup> , kg	1900	1800	2100	2100	2100	2100
Luggage compartment capacity, rear seats upright, litres	490	490	490	490	490	490
Luggage compartment capacity, rear seats folded, litres	1430	1430	1430	1430	1430	1430
Fuel tank capacity approx, litres	64	65	64	64	64	64

<sup>1</sup>The given value was obtained in accordance with the specified measurement procedure (the respective current version of the Directive 80/1269/EEC).

<sup>2</sup>The given values were calculated in accordance with the specified measurement procedure (the respective current version of Directive 80/1268/EEC). This information does not relate to a single vehicle and does not comprise part of the offer but is merely intended for the purpose of comparison between the different vehicle types.

<sup>3</sup>Vehicle's unladen weight without driver (calculated in accordance with the current version of Directive 80/1268/EEC). The fitting of additional equipment may increase the vehicle's unladen weight and drag coefficient, whereupon the potential carrying capacity and top speed will be correspondingly reduced.

<sup>4</sup>The engine's power output always goes down with increasing altitude. At 1,000m above sea level, and for every additional 1,000m, deduct 10% from the weight of the outfit (trailer load limit + gross weight of the towing vehicle).

# A4 Avant Diesel technical data

Engine	2.0 TDIe	2.0 TDI	2.0 TDI	2.0 TDI	2.0 TDI quattro	2.7 TDI	3.0 TDI quattro	3.0 TDI quattro
Transmission	6-speed manual	6-speed manual	multitronic	6-speed manual	6-speed manual	multitronic	6-speed manual	S tronic
Cylinder	4-cylinder	4-cylinder	4-cylinder	4-cylinder	4-cylinder	V6	V6	V6
Displacement, cubic cm (valves per cylinder)	1968	1968	1968	1968	1968	2698	2967	2967
Max. power <sup>1</sup> , PS	136	136	143	170	170	190	240	240
Max. torque, Nm at rpm	320/1750-2500	320/1750-2500	320/1750-2500	350/1750-2500	350/1750-2500	400/1400-3250	500/1500-3000	500/1500-3000
0-62mph acceleration, seconds	9.8	9.8	9.7	8.7	8.6	7.9	6.3	6.3
Top speed, mph	129	129	125	140	138	140	155	155
CO <sub>2</sub> emissions <sup>2</sup> , g/km	120	125	155	144	149	169	176	179
Benefit in kind (BIK)%	13%	18%	24%	21%	22%	26%	28%	28%
Fuel consumption, mpg (l/100km) Urban	52.3 (5.4)	49.6 (5.7)	37.7 (7.5)	42.2 (6.7)	40.9 (6.9)	36.7 (7.7)	32.1 (8.8)	33.2 (8.5)
Fuel consumption, mpg (l/100km) Extra Urban	68.9 (4.1)	67.3 (4.2)	56.5 (5.0)	60.1 (4.7)	56.5 (5.0)	48.7 (5.8)	51.4 (5.5)	48.7 (5.8)
Fuel consumption, mpg (l/100km) Combined	61.4 (4.6)	58.9 (4.8)	47.9 (5.9)	51.4 (5.5)	49.6 (5.7)	43.5 (6.5)	41.5 (6.8)	41.5 (6.8)
ABI insurance group	23E	23E	23E	26E	26E	27E	33E	33E
Unladen weight <sup>3</sup> , kg	1535	1535	1555	1525	1600	1645	1695	1735
Gross weight limit, kg	2105	2105	2125	2095	2170	2115	2265	2305
Roof load limit/nose weight, kg	90/80	90/80	90/80	90/80	90/80	90/80	90/80	90/80
Max trailer load unbraked <sup>4</sup> , kg	750	750	750	750	750	750	750	750
Max trailer load with 12% gradient <sup>4</sup> , kg	1300	1300	1700	1600	1600	1700	1900	1900
Max trailer load with 8% gradient <sup>4</sup> , kg	1500	1500	1900	1800	1800	1900	2100	2100
Luggage compartment capacity, rear seats upright, litres	490	490	490	490	490	490	490	490
Luggage compartment capacity, rear seats folded, litres	1430	1430	1430	1430	1430	1430	1430	1430
Fuel tank capacity approx, litres	65	65	65	65	64	65	64	64

<sup>1</sup>The given value was obtained in accordance with the specified measurement procedure (the respective current version of the Directive 80/1269/EEC).

<sup>2</sup>The given values were calculated in accordance with the specified measurement procedure (the respective current version of Directive 80/1268/EEC). This information does not relate to a single vehicle and does not comprise part of the offer but is merely intended for the purpose of comparison between the different vehicle types.

<sup>3</sup>Vehicle's unladen weight without driver (calculated in accordance with the current version of Directive 80/1268/EEC). The fitting of additional equipment may increase the vehicle's unladen weight and drag coefficient, whereupon the potential carrying capacity and top speed will be correspondingly reduced.

<sup>4</sup>The engine's power output always goes down with increasing altitude. At 1,000m above sea level, and for every additional 1,000m, deduct 10% from the weight of the outfit (trailer load limit + gross weight of the towing vehicle).

# A4 allroad technical data

	<b>Petrol</b>	<b>Diesel</b>	
Engine	<b>2.0 TFSI quattro</b>	<b>2.0 TDI quattro</b>	<b>3.0 TDI quattro</b>
Transmission	7-speed S tronic	6-speed manual	7-speed S tronic
Cylinder	4-cylinder	4-cylinder	V6
Displacement, cubic cm (valves per cylinder)	1984	1968	2967
Max. power <sup>1</sup> , PS	211	170	240
Max. torque, Nm at rpm	350/1500-4200	350/1750-2500	500/1500-3000
0-62mph acceleration, seconds	6.9	8.9	6.4
Top speed, mph	144	133	148
CO <sub>2</sub> emissions <sup>2</sup> , g/km	194	164	189
Benefit in kind (BIK)%	28%	25%	30%
Fuel consumption, mpg (l/100km) Urban	27.2 (10.4)	37.7 (7.5)	32.5 (8.7)
Fuel consumption, mpg (l/100km) Extra Urban	40.4 (7.0)	51.4 (5.5)	46.3 (6.1)
Fuel consumption, mpg (l/100km) Combined	34.0 (8.3)	45.2 (6.2)	39.8 (7.1)
ABI insurance group	30E	26E	32E
Unladen weight <sup>3</sup> , kg	1650	1630	1765
Gross weight limit, kg	2220	2200	2335
Roof load limit/nose weight, kg	90/80	90/80	90/80
Max trailer load unbraked <sup>4</sup> , kg	750	750	750
Max trailer load with 12% gradient <sup>4</sup> , kg	1700	1700	1900
Max trailer load with 8% gradient <sup>4</sup> , kg	1900	1900	2100
Luggage compartment capacity, rear seats upright, litres	490	490	490
Luggage compartment capacity, rear seats folded, litres	1430	1430	1430
Fuel tank capacity approx, litres	64	64	64

<sup>1</sup>The given value was obtained in accordance with the specified measurement procedure (the respective current version of the Directive 80/1269/EEC).

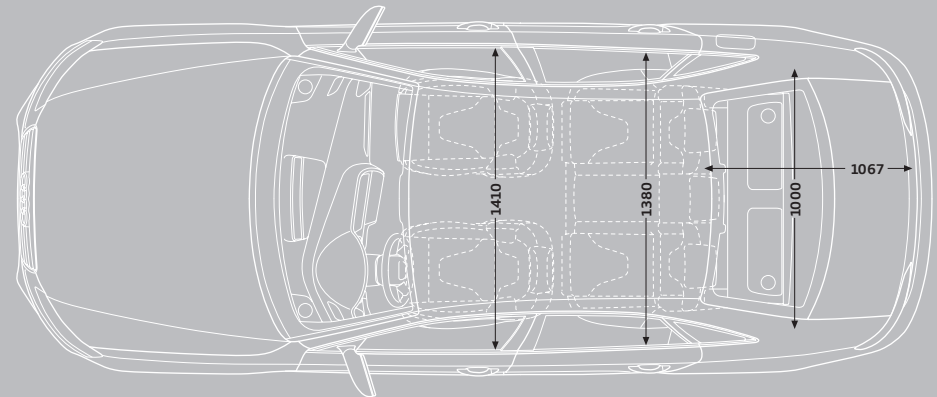
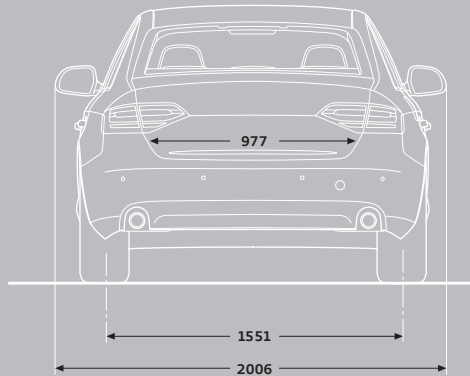
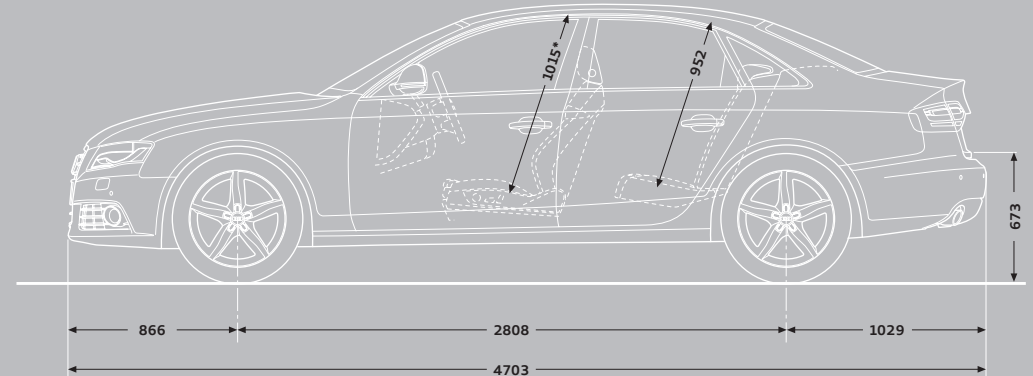
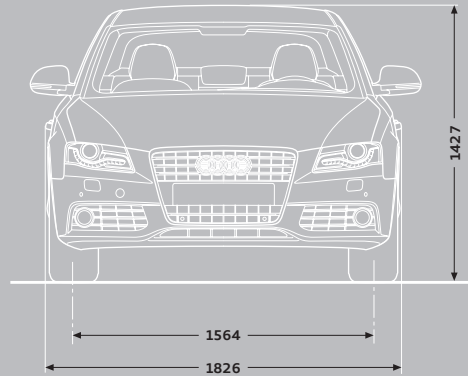
<sup>2</sup>The given values were calculated in accordance with the specified measurement procedure (the respective current version of Directive 80/1268/EEC). This information does not relate to a single vehicle and does not comprise part of the offer but is merely intended for the purpose of comparison between the different vehicle types.

<sup>3</sup>Vehicle's unladen weight without driver (calculated in accordance with the current version of Directive 80/1268/EEC). The fitting of additional equipment may increase the vehicle's unladen weight and drag coefficient, whereupon the potential carrying capacity and top speed will be correspondingly reduced.

<sup>4</sup>The engine's power output always goes down with increasing altitude. At 1,000m above sea level, and for every additional 1,000m, deduct 10% from the weight of the outfit (trailer load limit + gross weight of the towing vehicle).

# A4 Saloon dimensions

The technical drawings opposite show the exact dimensions of the A4 Saloon, so you can check everything – from whether the car will fit in your garage to whether your luggage will fit in the boot.



\*Maximum headroom

Dimensions were measured with vehicle at unladen weight, ground clearance measured with vehicle carrying its maximum load.

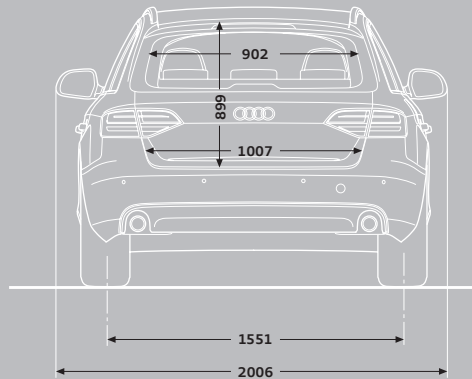
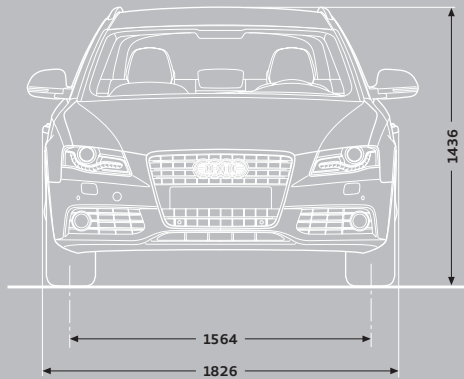
Luggage compartment volume in litres: 480/962 (measured by the VDA standard test method using 200 x 100 x 50mm blocks; second value: with rear seat folded down).

Turning circle approx 11.4m.

Dimensions in millimetres.

# A4 Avant dimensions

The technical drawings opposite show the exact dimensions of the A4 Avant, so you can check everything – from whether the car will fit in your garage to whether your luggage will fit in the boot.



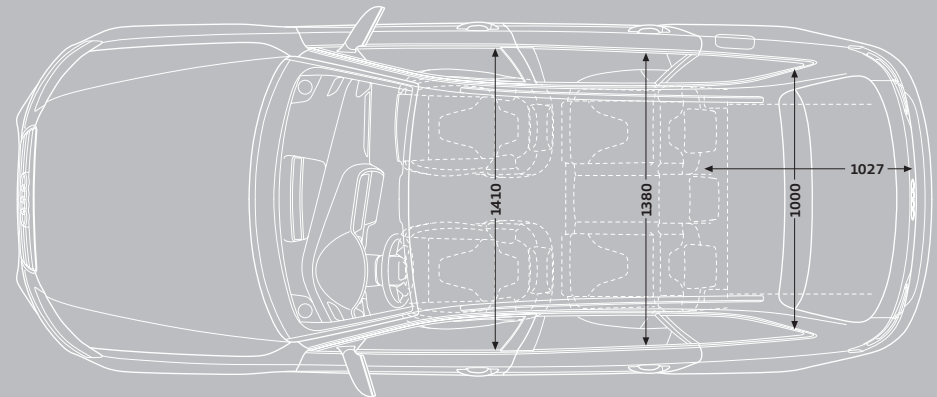
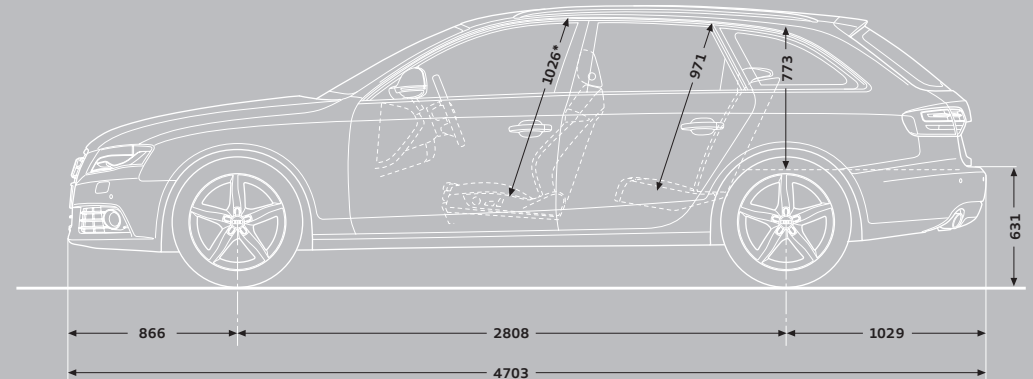
\*Maximum headroom

Dimensions were measured with vehicle at unladen weight, ground clearance measured with vehicle carrying its maximum load.

Luggage compartment volume in litres: 490/1430 (measured by the VDA standard test method using 200 x 100 x 50mm blocks; second value: with rear seat folded down).

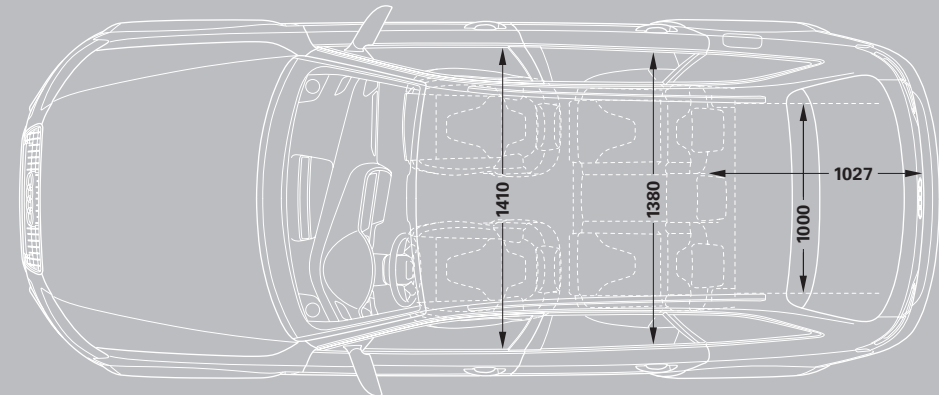
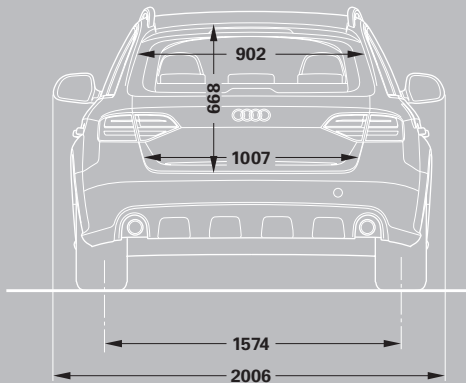
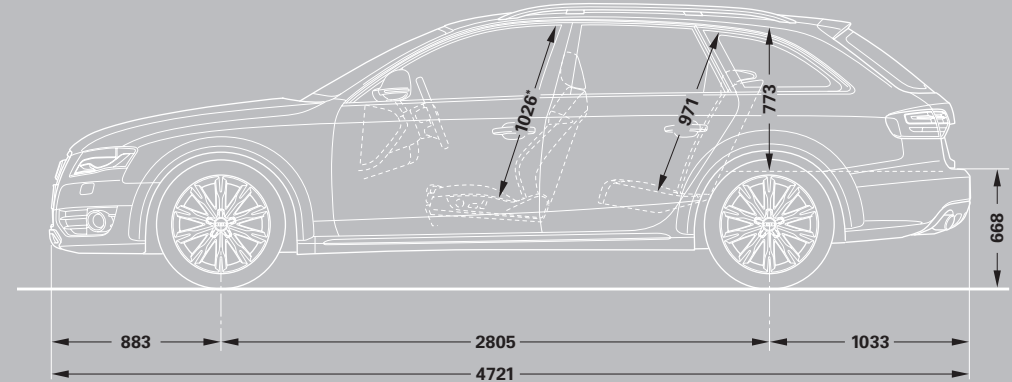
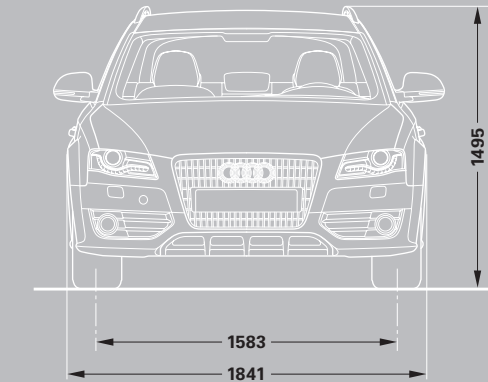
Turning circle approx 11.4m.

Dimensions in millimetres.



# A4 allroad dimensions

The technical drawings opposite show the exact dimensions of the A4 allroad, so you can check everything – from whether the car will fit in your garage to whether your luggage will fit in the boot.



\*Maximum headroom

Dimensions were measured with vehicle at unladen weight, ground clearance measured with vehicle carrying its maximum load.

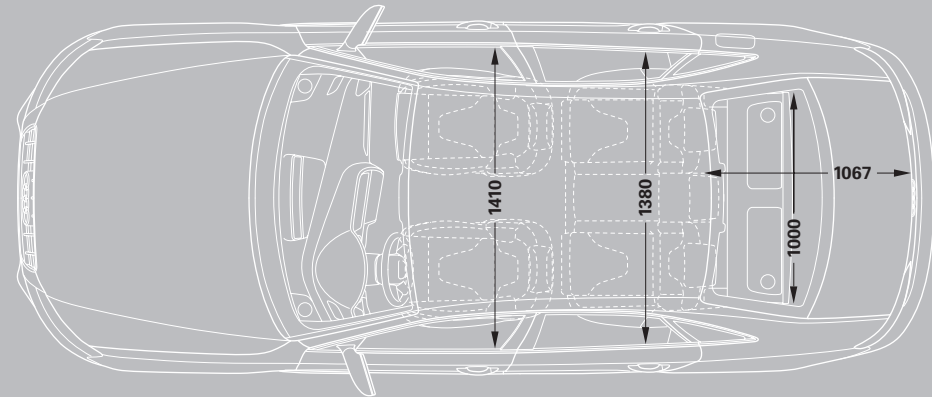
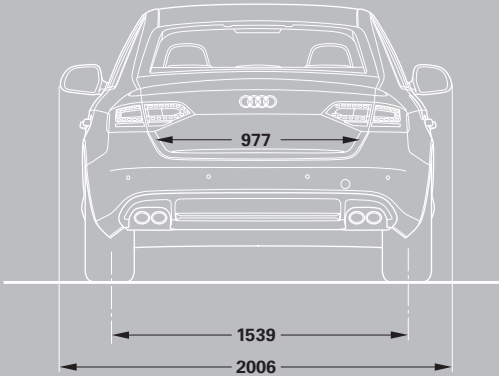
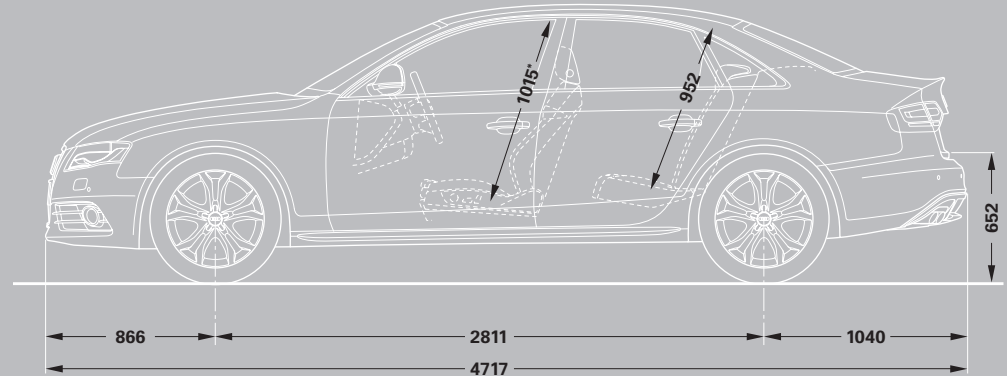
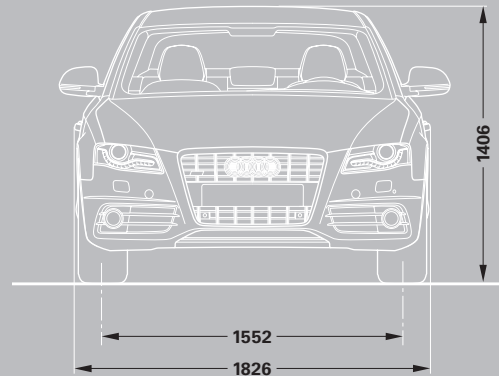
Luggage compartment volume in litres: 490/1430 (measured by the VDA standard test method using 200 x 100 x 50mm blocks; second value: with rear seat folded down).

Turning circle approx 11.4m.

Dimensions in millimetres.

# S4 quattro® Saloon dimensions

The technical drawings opposite show the exact dimensions of the S4 Saloon, so you can check everything – from whether the car will fit in your garage to whether your luggage will fit in the boot.



\*Maximum headroom

Dimensions were measured with vehicle at unladen weight, ground clearance measured with vehicle carrying its maximum load.

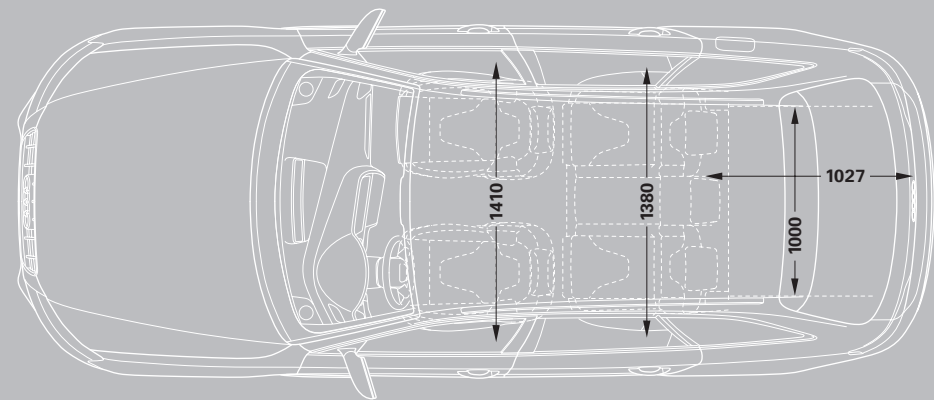
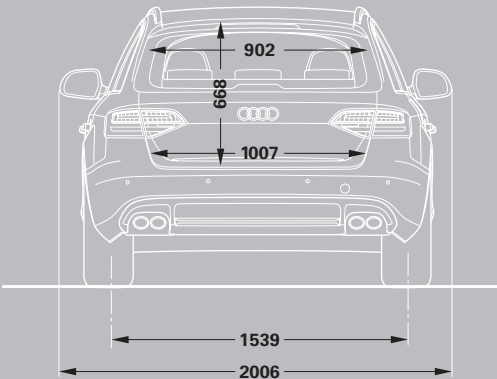
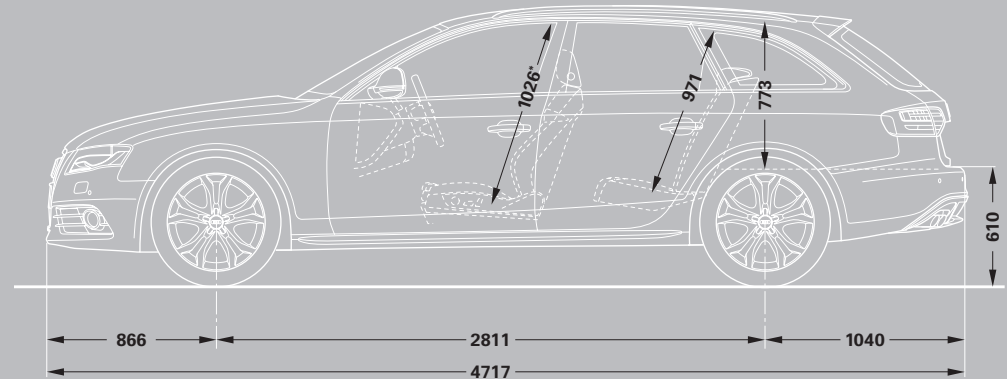
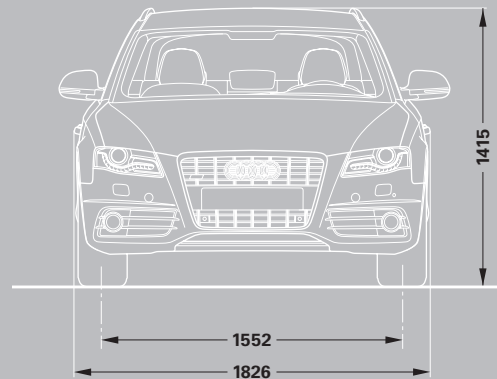
Luggage compartment volume in litres: 480/962 (measured by the VDA standard test method using 200 x 100 x 50mm blocks; second value: with rear seat folded down).

Turning circle approx 11.4m.

Dimensions in millimetres.

# S4 quattro® Avant dimensions

The technical drawings opposite show the exact dimensions of the S4 Avant, so you can check everything – from whether the car will fit in your garage to whether your luggage will fit in the boot.



\*Maximum headroom

Dimensions were measured with vehicle at unladen weight, ground clearance measured with vehicle carrying its maximum load.

Luggage compartment volume in litres: 490/1430 (measured by the VDA standard test method using 200 x 100 x 50mm blocks; second value: with rear seat folded down).

Turning circle approx 11.4m.

Dimensions in millimetres.



# Additional information

## CO<sub>2</sub> data and information

### CO<sub>2</sub> emissions-based Vehicle Excise Duty

Vehicle Excise Duty (Road Fund Licence) is based upon the amount of Carbon Dioxide (CO<sub>2</sub>) a vehicle emits, measured in grams per kilometre (g/km). First year VED rates apply to the first year of ownership. Annual VED rates apply thereafter. The DVLA has created thirteen categories:

Petrol and Diesel engines	First year	Annual rate (second year onwards)
A – up to 100g/km	£0.00	£0.00
B – 101 to 110g/km	£0.00	£20.00
C – 111 to 120g/km	£0.00	£30.00
D – 121 to 130g/km	£0.00	£95.00
E – 131 to 140g/km	£115.00	£115.00
F – 141 to 150g/km	£130.00	£130.00
G – 151 to 165g/km	£165.00	£165.00
H – 166 to 175g/km	£265.00	£190.00
I – 176 to 185g/km	£315.00	£210.00
J – 186 to 200g/km	£445.00	£245.00
K – 201 to 225g/km	£580.00	£260.00
L – 226 to 255g/km	£790.00	£445.00
M – over 255g/km	£1,000.00	£460.00

Vehicle Excise Duty (VED) rates correct at time of going to print, but these may alter to reflect any change in the applicable VED rate

### Servicing tailored to your needs

Regular servicing is key to safeguarding your Audi's performance and a full Audi service history could help you preserve the future re-sale value. To make servicing easy, the Audi Service Schedules have been designed to work with your individual driving style and vehicle.

There are two schedules available and your Audi Centre will advise which schedule is most suited to your needs. The conventional fixed Audi Inspection Service Schedule has fixed intervals for the Oil-change and Inspection Service that are based on time and distance, whichever comes first.

With the Audi LongLife Service Schedule, sensors take account of driving style and conditions in which the vehicle is used to indicate when the Oil-change Service is required. Oil-change Service intervals are therefore variable and are conveniently indicated via the on-board service interval display.

Fixed Inspection Service Schedule		Variable LongLife Service Schedule	
	<b>Vehicle usage:</b>		<b>Vehicle usage:</b>
Mileage	Less than 10,000 miles per annum	Mileage	More than 10,000 miles per annum
Type of journey	Mainly city/town centre driving. Short journeys	Type of journey	Motorway and main road driving. Mainly longer distance journeys. Constant speeds
Conditions	Frequent cold starts. High engine loading – e.g. frequent hill climbs, vehicle fully loaded, towing	Conditions	Normal engine loading – e.g. with little or no towing, with little or no hill climbs. Normal vehicle loading
Driving style	Uneconomical – e.g. heavy acceleration, heavy braking, constant changes in speed, constant use of high revs, 'sporty' driving	Driving style	Moderate acceleration, moderate braking, engine revs mainly below 3,000
	<b>Service Intervals:</b>		<b>Service Intervals:</b>
Oil-change Service	Fixed to every 9,000* miles/1 year	Oil-change Service	Variable to a maximum of every 19,000* miles/2 years
Inspection Service	Fixed to every 19,000* miles/2 years	Inspection Service	Fixed to every 19,000* miles/2 years

\*As indicated by the service interval display. Mileages are approximate as the Service Indicator system uses kilometres as its distance measurement.

# Additional information

## Welcome to Audi

By placing an order for your Audi, you're choosing to get behind the wheel of one of the most sophisticated cars on the road. And because we believe the service we offer should be just as advanced, we wanted to let you know exactly what you can expect from us, now and in the future.

We've agreed a set of standards with all our Centres, which governs the way we do business with you. It outlines the kind of service we promise to deliver for every customer, right down to filling each new Audi we sell with half a tank of fuel.

So whether you're interested in the date your car will arrive in the UK or the way we'll dispose of non-biodegradable materials after we service your Audi, you can have total confidence in us.

## Audi Promise

### Audi Centres

We guarantee that all of our Centres will be open as follows;

Sales: Monday to Friday 9am–6pm  
Saturday 9am–5pm

Service: Monday to Friday 8am–6pm  
Saturday 8.30am–1pm

Sunday opening is at local discretion.

### New car delivery

Once we've confirmed a delivery date for your car, we'll keep you informed of progress. Subject to reasonable notice, we'll then deliver it to a place of your choice, whether that's your home or place of work. In the unlikely event of a delay, we'll provide a courtesy car to minimise inconvenience and keep you mobile.

### The experts in Vorsprung durch Technik

Would you entrust your Audi to anyone who hasn't been regularly trained to Audi standards? Our network of Audi Approved Master Technicians have undergone an impressive 100,000 hours of training over a 10 year programme to ensure they have the latest technical expertise for maintaining and servicing your Audi. All of our Service Advisors undergo a specialist induction and training to ensure they are Audi professionals and able to talk to you about any issues you may have with your Audi vehicle. What's more, we have so much expertise and experience in looking after Audi vehicles that we are able to make a note of your mileage and the state of your vehicle when we see it and predict when certain key events may occur. As part of our commitment to you, we will notify you in plenty of time so you can make an appointment with us.

### Your convenience comes first

At Audi you can choose from a range of convenient services that suit your needs. Why not book a 'service while you wait' appointment\* and enjoy our complimentary refreshments while your car is with us? Or, if you need to be mobile, take advantage of one of our courtesy cars which we can even collect and deliver to you\*. We guarantee we can service your Audi within 5 days without a courtesy car, or within 10 days if you need transport. We will also ensure your car is returned to you with a full valet.

### Audi Genuine Parts

Would you put a part into your Audi that wasn't the same quality as the factory fitted original? You can rest assured that only Audi Genuine Parts will be used on your vehicle. What's more, Audi parts and labour come with a 2 year guarantee.\*\* We stock a wide variety of parts, so we are well covered. However, if we don't have a part in stock at our Centre we have the back-up of parts at other Audi Centres, at our national warehouse and our factory and can usually source the relevant part very quickly.

### We don't like surprises either

We believe strongly in transparency and there will be no hidden costs. For added peace of mind, we will give you a quotation over the phone for the work you have requested and email you the price confirmation. We'll consult you if any additional work on your car is needed when it is with us. We won't carry out any extra work without asking your permission first.

### The Audi Stamp

Regular servicing is key to safeguarding your Audi's performance and a full Audi service history could help you preserve the future re-sale value of your car. Only the Audi Stamp will prove your approved Audi service history.

### Getting better every time

We continually gather feedback from our Audi Trained Technicians, as well as our customers, to ensure our vehicles are running as they should. Whenever we see an Audi for a service, we connect it directly to our headquarters in Ingolstadt which enables us to check your car's software and make sure it's as up-to-date as possible. If the factory has released a software upgrade for your model, it can be applied immediately – improving anything from your car's efficiency to the precision of its parking system.

### Environmental commitment

We promise to dispose of all non-biodegradable materials from your vehicle in a responsible manner

\*Subject to availability.

\*\*Excludes wear and tear.

# Pricing information

## Pricing

Prices and specifications given are correct at the time of printing. Always check details with your Audi Centre, as Audi policies are continually developing. We reserve the right to change prices or specifications at any time.

All prices are subject to VAT, currently charged at 20% but this may alter to reflect any change in the applicable VAT rate.

Delivery charges and number plates are not included in the vehicle price.

Delivery charge	£471.66
Number plate	£20.00
VAT	£98.34
Total	£590.00

## Audi Roadside Assistance

Your new car comes complete with 3 years' complimentary roadside assistance and recovery across the UK provided by RAC Motoring Services. Also included is roadside assistance throughout Europe, managed by RAC Motoring Services.

For further information and terms and conditions, please visit [audi.co.uk](http://audi.co.uk)

## Audi Customer Care

Every new Audi benefits from the comprehensive Audi Customer Care Package, which comprises:

- ▶ A 3-year Audi warranty, which covers you for unlimited mileage in the first 2 years of ownership, with a full mechanical and electrical warranty which covers you for up to 60,000 miles in the 3rd year

- ▶ A 3-year paint warranty
- ▶ A 12-year anti-corrosion warranty
- ▶ 3 years' UK roadside assistance and recovery

You also have the option when ordering your new car of choosing a 4-year or 5-year Audi warranty. Speak to a member of the sales team for more information.

## Audi Tax-Free Sales

If you are entitled to purchase a vehicle free of VAT, normally through Military or Diplomatic privilege, please contact your local Audi Centre for full details.

Should you have any difficulty obtaining the information you require, please call Freephone 0800 585878.

## Audi Finance

Audi Finance specialise in providing funding solutions for Audi drivers. Whether your Audi is for private or business use, there are a range of funding options to choose from

Below is the full range of finance products.

- ▶ Solutions – a Personal Contract Plan
- ▶ Hire purchase
- ▶ Lease purchase
- ▶ Finance lease
- ▶ Contract hire

With all products, you can choose a fixed-cost maintenance plan designed to help you budget accurately.

No matter what Audi model you choose, your local Audi Centre can provide you with a personalised quote which could fit your budget and motoring needs.

Audi Finance is a trading name of Volkswagen Financial Services (UK) Limited. An offer of finance depends on certain conditions. Available to people over 18 in the UK only.

## Audi Insurance

We want you to start enjoying your new car from day one and thanks to Audi Insurance complimentary seven day cover, you can. Call free on 0800 316 7893 (lines are open Monday to Friday 8am - 9pm, and Saturday 9am - 5pm), provide a few details and a cover note will be sent to your Audi Centre. They will then tax your car and you can drive it away.

Audi Insurance is a trading name of Volkswagen Insurance Service (Great Britain) Limited, an appointed representative of Volkswagen Financial Services (UK) Limited, Brunswick Court, Yeomans Drive, Blakelands, Milton Keynes MK14 5LR. Registered in England number 2835230. Audi Insurance is sold, underwritten and administered by Allianz Insurance plc registered in England number 84638. Registered office 57 Ladymead, Guildford, Surrey GU1 1DB. Volkswagen Financial Services (UK) Limited and Allianz Insurance plc are authorised and regulated by the Financial Services Authority. Volkswagen Financial Services (UK) Limited and Allianz Insurance plc are not part of the same corporate group.

**Audi UK**

Customer Services  
Selectapost 29  
Sheffield  
S97 3FG  
0800 699888  
audi.co.uk

Specifications and prices subject  
to change without notice.

© Audi UK

Printed in the UK  
Edition 6.0 04/11  
2012 model year

Images are for illustrative purposes only.