



## The Audi A4, A4 allroad and S4

Pricing and Specification Guide  
Valid from August 2012



# Personalising your Audi A4

This guide has been designed to help you tailor and price your Audi A4 quickly and logically. At the back, you will find information on CO<sub>2</sub> emissions-based taxation and the other services offered by Audi, including Finance and Insurance. You can also configure your Audi A4 online at [audi.co.uk](http://audi.co.uk).

You might also like to consider Audi Complete: a simple way to take care of servicing and maintenance costs for your Audi in a single package. You pay a one-off or monthly fee and we'll cover all your servicing, maintenance and tyres for the next three years including your first MOT. It means you only have to pay for fuel, insurance and your Road Fund Licence. So you can be reassured that your car will be maintained by trained Audi Technicians, using genuine Audi parts.

## Audi Complete™

### The Audi A4

Efficiency	8
Engines	10
Transmissions	11
quattro®	12

### Model details and prices

SE model equipment	14
SE Technik model equipment	16
S line model equipment	16
Black Edition model equipment	17
A4 allroad model equipment	18
S4 model equipment	20
S4 Black Edition model equipment	21
Model prices	22

### Audi exclusive

26

### Colour and upholstery

Paint	28
Upholstery	30
Colour and trim guide	36
Inlays	42

### Options

Wheels, tyres and suspension	44
Packages	46
Audio and communication	48
Seats	50
Safety and security	51
Interior equipment	52
Steering wheels	53
Exterior equipment	54
Audi Complete and warranty	56
Merchandise	57
Accessories	58

### Technical details

Technical data	59
Dimensions	67
Additional information	72
Pricing information	74





## Vorsprung durch Technik

Three words that express the very essence of Audi. Vorsprung durch Technik isn't a slogan. It's our way of seeing the world. It is the driving force behind our history of innovation that continues into the 21st century. Indeed, many technologies that Audi pioneered remain in our cars today. Some are milestones in the history of the motorcar.

From our beginnings in 1899, to the Auto Union team's Grand Prix successes in the 1930s and our more recent wins at Le Mans, we have always been at the forefront of the motor industry.

Vorsprung durch Technik makes us who we are. To see more of its influence, just read on.

## The enhanced Audi A4

Driving just got more personal. We've developed a range of technologies for the Audi A4 to give you exceptional precision and efficiency on every journey. But you'll also find an upgrade in design quality, for a crisper and more focused look and feel both inside and out. Just as forward-thinking is the choice of advanced engines – including the new 3.0-litre TDI engine, currently the most economical V6 TDI in its class.





## Efficiency

At Audi, doing less is something we're trying to do more of. We're working to use less fuel, release less CO<sub>2</sub> and waste less energy. It's why we've incorporated a number of more efficient technologies into the Audi A4.

### Recuperation

When a vehicle brakes, the discs convert the kinetic energy into thermal energy, which is wasted as it cannot be used. With a recuperation system, like the one in the Audi A4, the kinetic energy is converted into useful electrical energy. The way it works is simple. While the car is coasting or braking, the alternator voltage is raised above the level of the basic electrical system, which enables the alternator to generate electrical energy and store it temporarily in the battery. When the vehicle accelerates, this energy is used to relieve the load on the alternator, resulting in a fuel saving of up to 3%.

### Automatic Start-Stop function

In heavy traffic, your car still uses fuel and releases CO<sub>2</sub>, even when it's stationary. The automatic Start-Stop function counteracts this problem by switching off the engine when your car comes to a standstill. As soon as you touch the clutch, the car restarts. In conjunction with TDI® and TFSI®, it helps save up to 0.4 litres of fuel every 100km.







### **Efficiency programmes**

The Driver's Information System in the Audi A4 comes as standard with an innovative efficiency programme, which offers advice on improving fuel economy as you drive. It also shows you which items in your car are using energy, and how much they are using, so you can make an informed choice about which ones to switch off. Through the optional Audi drive select system, you can choose a new efficiency setting which aids you in driving even more economically.

### **Aerodynamics**

A car's shape can have a significant effect on its efficiency. It's why we've worked to make the Audi A4 as aerodynamic as possible.

## Engines

### Petrol

FSI® direct-injection technology is a unique Audi innovation that was originally developed for the Le Mans 24-hour endurance race to deliver more power and torque, as well as enhanced fuel efficiency. Precisely the right amount of fuel and air are injected into the combustion chambers, enabling the engine to 'breathe' more easily. It results in reduced heat loss and increased output, with around a 15% reduction in fuel consumption and significantly lower exhaust emissions. We've also developed TFSI®, with either turbocharging or supercharging, which combines FSI® technology with forced induction – giving cars an extra injection of power.

### Diesel

We introduced TDI® to the roads in 1989, marking a departure from the noisy, fuel-thirsty diesel engines of the past. And since then, we've continuously refined it, recently developing common-rail technology. Under this system, a series of piezo injectors use electrical charge to precisely control the amount of fuel injected into the engine. As well as reducing noise, this allows combustion to happen at a lower temperature, with less oxygen, which lowers emissions.





## Transmissions

### **multitronic®**

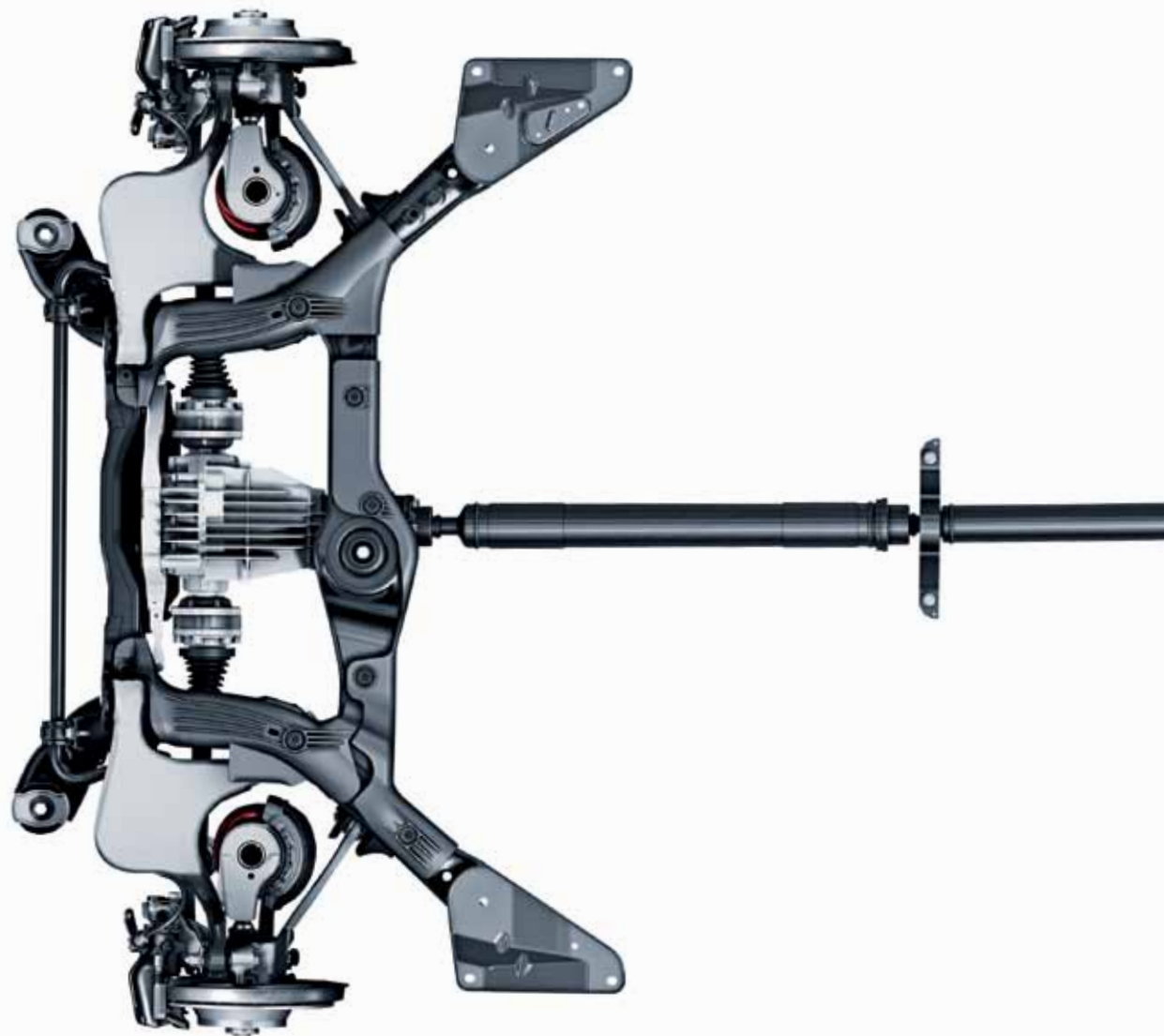
Translating a driver's preferences and intentions into road performance, the multitronic® transmission system entertains no compromises – whether in terms of dynamism, convenience or economy. multitronic® automatic transmission is available on models without quattro® permanent all-wheel-drive. A continuously variable transmission, multitronic® can transmit up to 400 Nm of torque and permits an exceptionally wide range of gear ratios. The result is smooth, powerful acceleration and a high level of driving comfort. And thanks to its lightweight design and a number of advanced electronic control systems that monitor gradient, road conditions and the way the driver is using the accelerator pedal, multitronic® also plays an instrumental role in reducing fuel consumption.

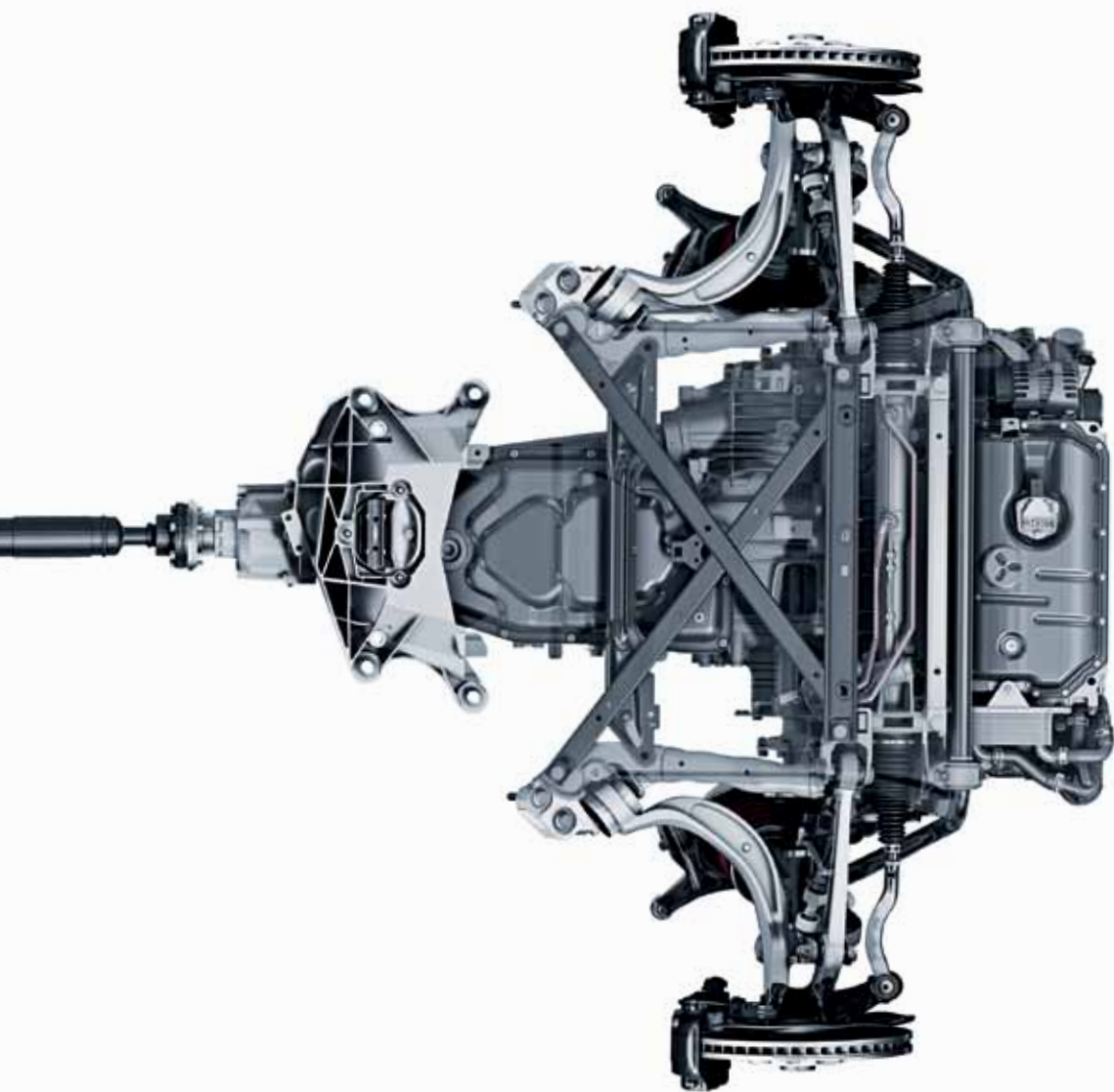
### **S tronic®**

Driving is all about thinking ahead, which is just what the S tronic® dual-clutch transmission does. It works almost as two separate systems, one engaging the odd-numbered and the other the even-numbered gears. So when you're accelerating in second, it has third gear waiting for you. And once you make the switch, it's already thinking about fourth. With two clutches working together, you can change gears almost instantly while experiencing smooth, uninterrupted power.

## quattro®

It's the technology that has given Audi the edge on the rally circuit ever since it was first introduced over 30 years ago – a technology that delivers ultimate control whilst enhancing the sporty characteristics which make the Audi A4 so thrilling to drive. It's called quattro® permanent all-wheel-drive. The principle is simple: in the same way that four brakes ensure better deceleration, four permanently-driven wheels deliver better acceleration and road-holding, pushing or pulling the car as needed, for a driving experience that's both dynamic and safe.





In the Audi A4, asymmetric dynamic torque distribution continuously distributes drive power between the front and rear axles depending on weather conditions, road surface and gradient, which increases flexibility for an enhanced, sportier drive.

### **quattro® with Sports differential**

The optional electronically regulated Sports differential distributes variable amounts of drive force to each rear wheel, ensuring outstanding acceleration performance in corners and stabilising the vehicle's response to load change. It also brings better direct steering characteristics and, as it requires less steering effort, more agile handling.

## SE model equipment

All A4 models have the following items of standard equipment

### Engine

**Automatic Start-Stop function** for greater fuel and CO<sub>2</sub> efficiency

**Misfuelling inhibition** for diesel engines

**Recuperation** for optimal energy utilisation

### Wheels, tyres and suspension

**17" x 7.5J '5-spoke' design alloy wheels** with 225/50 R17 tyres and locking wheel bolts. TDIe models feature low rolling resistance tyres

**Space-saver spare wheel** (not on Saloon TDIe models)

**Tyre repair kit** (Saloon TDIe models only)

**Sports suspension** lowered by 20mm (TDIe models only)

### Seats

**Cosinus cloth seats** with manual height adjustment

**Split-folding rear seats**

### Audio and communication

**Audi sound system speaker package**, 10 speakers including subwoofer (180 Watts)

**Concert radio** which includes:

- Single CD drive and SDHC memory card reader which are both MP3, WMA and AAC compatible
- 6.5" colour centre display with MMI operating logic
- AUX-IN connection
- TP memo - automatically saves traffic news when driving

**Bluetooth interface** for handsfree mobile phone connectivity. Includes voice control for telephone functions

### Safety and security

**Airbag system** for driver, front passenger, front side and head airbag with front passenger airbag deactivation switch

**Break recommendation system** - analyses driving behaviour based on steering, pedals and gear lever movements. If the system detects a change in driving patterns it can, via audio and visual effects, notify the driver of the possible need to take a break

**Car jack** (not on TDIe models)

**ESP** including limited-slip differential on front-wheel-drive models

**First aid kit**

**Front and rear fog lights**

**ISOFIX child seat mountings** for front and outer rear seats

**Light and rain sensor** - automatically switches the dipped beam headlights and windscreen wipers on/off depending on the light and rain conditions. Also includes coming home/leaving home function which delays the deactivation of the front and rear lights after locking and automatic activation of the lights when unlocking

**Rear parking sensors** - facilitate parking by acoustically indicating the distance to obstacles; measurement is by ultrasonic sensors integrated discreetly into the bumper

**Thatcham category 1 alarm and immobiliser**

**Toolkit**

**Warning triangle**



Colour Driver's Information System (DIS) with break recommendation



17" x 7.5J '5-spoke' design alloy wheels

### Interior equipment

**3-zone climate control** with separate air distribution and digital display for driver and front passenger. System includes air-conditioning controls in the rear centre console for rear passenger compartment

**4-spoke leather multi-function steering wheel** adjustable for height and reach

**12V power socket in boot** (not on TDIe models)

**Acoustic windscreen** for reduced outside noise

**Aluminium trigon inlays**

**Auto-dimming rear-view mirror**

**Cruise control** – maintains any speed above 18mph, provided the engine power output and engine braking effect permit it; operated via separate steering column stalk. The set speed is displayed in the Driver's Information System

**Door sill trims** in Aluminium optic

**Driver's Information System (DIS)** in colour with energy-saving tips and break recommendations. Shows the radio station or track title, telephone control, menu and other display information from the infotainment system such as navigation (if fitted). Also includes an on-board trip computer with short and long-term trip memory, outside temperature display, digital speedometer and door or boot open warning

**Electric front and rear windows**

**Electromechanical parking brake** includes parking brake function when stationary, drive-off assistance function through automatic release when driving away and emergency braking function whilst driving, acting on all 4 wheels

**Electromechanical power steering**

**Front and rear floor mats**

**Front centre armrest** including 12V power socket

**Interior chrome package**

**Rear armrest**

### Exterior equipment

**Auto-opening boot lid** (Saloon models only)

**Exhaust pipes** – 4-cylinder models have twin exhaust pipes on the left hand side. 6-cylinder models and the 2.0 TFSI Avant and allroad models have one exhaust pipe on each side

**Exterior aluminium package**

**Exterior mirrors** – electrically operated and heated

**Halogen headlights** with electric headlight range control and daytime running lights

**Roof rails in bright finish** (Avant models only)

**Single frame front radiator grille** with Stone grey horizontal bars



## SE Technik model equipment

### In addition to SE model equipment

Basic RRP  
£916.67

Total RRP inc VAT  
£1,100.00



Audi parking system plus

### Interior equipment

**Milano leather upholstery** – includes seats, head restraints, door inserts and front centre armrest in leather

### Audio and communication

**MMI Navigation system** – DVD-based – including 2 SDHC memory card readers and DVD player for navigation data which can also be used for music CDs, all MP3, WMA and AAC compatible, dynamic route guidance via TMC, 5-digit postcode entry

**Audi Music Interface** – connection for use with stereo audio sources, USB and MP3 devices including Apple iPod generation 4 onwards and Apple iPhone

### Safety and security

**Audi parking system plus** – acoustic and visual park assist system for the front and rear with MMI screen display; measurement is by ultrasonic sensors concealed in the bumpers



MMI Navigation system

## S line model equipment

### In addition to SE model equipment

Basic RRP  
£2,129.17

Total RRP inc VAT  
£2,555.00



18" x 8J '5-spoke' S line design alloy wheels

### Wheels, tyres and suspension

**18" x 8J '5-spoke' S line design alloy wheels** with 245/40 R18 tyres

**Sports suspension** 20mm lower than Standard (S line suspension 30mm lower than Standard – available in lieu of Sports suspension at no charge)

### Interior equipment

**3-spoke S line multi-function steering wheel** with paddle shift for automatic models

### Black headlining

**Front Sports seats** including electric lumbar support

**Jet grey stitching** to upholstery, steering wheel, gear lever gaiter and floor mats

**Matt-brushed aluminium inlays**

**Perforated leather gear knob**

**S line sill plates**

**Sprint cloth/leather upholstery** with S line embossing

### Exterior equipment

**Chrome exhaust trim** (only on models with twin exhaust pipes)

**Headlight washers** for excellent illumination and improved visibility

**S line exterior styling package** including:

- S line side skirts
- S line front and rear bumpers
- S line diffuser inserts in Platinum grey
- S line badges on wings

**Rear LED lights**

**Roof spoiler** (Avant models only)

**Side radiator grilles in black honeycomb structure**

**Single frame front radiator grille** with high gloss black horizontal bars

**Xenon headlights** with LED daytime-running lights



## Black Edition model equipment

In addition to S line model equipment

**Basic RRP**  
£1,041.67

**Total RRP inc VAT**  
£1,250.00\*



Bang & Olufsen sound system

### Wheels, tyres and suspension

19" x 8.5J '5-arm rotor' design titanium finish alloy wheels with 255/35 R19 tyres

### Audio and communication

**Audi Music Interface** – connection for use with stereo audio sources, USB and MP3 devices including Apple iPod generation 4 onwards and Apple iPhone

**Bang & Olufsen sound system**, 14 high-performance speakers and two amplifiers which create 505 Watts of stunning surround sound, balanced to suit the specific acoustic properties of the car's interior

**DAB digital radio**, receives programmes from digital radio transmitters, in addition to the range of analogue stations, with better sound quality

### Safety and security

**Audi parking system plus** – acoustic and visual park assist system for the front and rear with MMI screen display; measurement is by ultrasonic sensors concealed in the bumpers (Saloon models only)

### Exterior equipment

**Black styling package** – front radiator grille-frame and bar in side radiator grilles in highly polished black, with radiator grille, number plate holder and window surround in matt black. Avant models include black roof rails

**Privacy glass**, dark tinted from B pillar backwards (Avant models only)

### Interior equipment

**3-spoke multi-function flat-bottomed steering wheel** with paddle shift for automatic models

**Piano finish black inlays**



# A4 allroad model equipment

## In addition to Avant quattro SE model equipment

**Basic RRP**  
£837.50

**Total RRP inc VAT**  
£1,005.00

The A4 allroad quattro combines the assertive look of an offroad vehicle with the elegance of an Avant. With increased body height and a wider wheel track, the A4 allroad quattro makes a powerful impression. And the quality of your ride is also enhanced, using suspension technology developed specifically for the allroad quattro for a reliable and consistent off-road drive. Alongside greater stability, you'll also have outstanding grip in the most demanding conditions thanks to our quattro permanent all-wheel-drive system and ESP off-road detection, both of which come as standard. So whether you're on or off the road, the A4 allroad quattro is just as capable.

### Wheels, tyres and suspension

**18" x 8J '10-spoke' design alloy wheels** with 245/45 R18 tyres

**37mm suspension lift over standard A4 Collapsible spare wheel**

**Off-road detection system.** Recognises the quality of the ground and adjusts the ESP accordingly

### Interior equipment

**Door sill trims** with allroad quattro logo

**Load-area fixing kit** – includes load-area rails, telescopic bar and securing belt for dividing up luggage compartment

**Reflex finish inlays** in Steel grey\*

**Reversible luggage compartment floor mat** – can be reversed to provide a rubber mat which extends to cover the entire load area as well as protect rear bumper

**Storage package** – comprising storage nets on front seat back-rests, storage compartment under the front seats, drinks holder in the rear centre armrest and a lockable glove compartment

### Exterior equipment

**A4 allroad single frame grille** with vertical chrome bars

**Bumpers in contrasting paint finish** (please see page 39 for colour guide)

**Headlight washers** for excellent illumination and improved visibility

**High roof rails**

**Off-road aluminium package**, including roof rails, roof frame and window capping strips in aluminium, B-pillar trim and triangular panels on the rear doors in high-gloss black, sill extensions with stainless steel insert

**Underbody protection** in stainless steel

**Wheel arch and sill extensions**

### Seats

**Tundra cloth upholstery**



Door sill trims with allroad quattro logo



18" x 8J '10-spoke' design alloy wheels



Underbody protection in stainless steel





**S4 quattro model equipment – in addition to SE model equipment**

One look at its muscular body styling, 18" alloy wheels and subtle S4 badging, and it'll come as no surprise that the Audi S4 features a powerful 3.0-litre V6 supercharged engine, capable of taking you from 0 to 62mph in 5 seconds. And from the comfort and stability of a stylish Alcantara/leather Sports seat, you can sit back and enjoy every single unit of this engine's 333PS capability – not to mention the roadholding of quattro permanent all-wheel-drive.

But sleek styling and powerful performance in the S4 don't come at the expense of functional, driver-oriented specifications. Simple yet thoughtful touches, such as the matt-brushed aluminium inlays, S instrument dials and electric front Sports seats have been included to ensure that your life runs as smoothly as your Audi does.

**Wheels, tyres and suspension**

18" x 8.5J '5-double-spoke S' design alloy wheels with 245/40 R18 tyres

**Safety and security**

'S' model enhanced braking system

**Interior equipment**

3-spoke 'S' Sports multi-function steering wheel with aluminium-look paddle shift

**Aluminium scuff plates**

**Interior lighting package** – includes front and rear footwell lighting, active door reflectors, illuminated vanity mirrors, rear reading lights, entrance lights and illuminated glove compartment, vents and internal door controls

**Inlays in matt-brushed aluminium**

'S' instrument cluster

**Exterior equipment**

4-oval, twin tailpipes, in chrome finish

Aluminium-effect door mirror housings

**Headlight washers** for excellent illumination and improved visibility

**Integrated boot-lid spoiler** (Saloon models only)

LED tail-lights

**Painted brake callipers with S4 logo** (on front brakes only)

**Platinum grey single frame front radiator grille** with chrome horizontal bars

**Roof spoiler** (Avant models only)

'S' front and rear bumpers and side skirt

**Xenon headlights** with LED daytime-running lights

**Seats**

**Sports seats** with electric adjustment and lumbar support

Leather/Alcantara upholstery



Optional S4 Super Sports seats



'S' instrument dial



18" x 8.5J '5-double-spoke S' design alloy wheels



Oval twin tailpipes in chrome finish



**S4 quattro Black Edition model equipment – in addition to S4 model equipment**

<p><b>Basic RRP</b> £1,041.67</p> <hr/> <p><b>Total RRP inc VAT</b> £1,250.00*</p>
--

**Wheels, tyres and suspension**

19" x 8.5J '5-arm rotor' design titanium finish alloy wheels with 255/35 R19 tyres

**Audio and communication**

**Audi Music Interface** provides connection for use with stereo audio sources, USB and MP3 devices including Apple iPod generation 4 onwards and Apple iPhone

**Bang & Olufsen sound system** providing surround sound reproduction with dynamic compensation for road noise, digital amplifier and 14 high-performance loudspeakers (505 Watts)

**DAB digital radio.** Receives programmes from digital radio transmitters, in addition to the range of analogue stations, with better sound quality

**Safety and security**

**Audi parking system plus** – acoustic and visual park assist system for the front and rear with MMI screen display; measurement is by ultrasonic sensors concealed in the bumpers (Saloon models only)

**Exterior equipment**

**Black styling package** – front radiator grille-frame and bar in side radiator grilles in highly polished black, with radiator grille, number plate holder and window surround in matt black. Avant models include black roof rails

**Privacy glass** – dark tinted from B-pillar backwards (Avant models only)

**Interior equipment**

**3-spoke 'S' Sports multi-function flat-bottomed steering wheel** with aluminium-look paddle shift

**Piano finish black inlays**



Bang & Olufsen sound system



19" x 8.5J '5-arm rotor' design titanium finish alloy wheels



S4 badging for S4 quattro and S4 quattro Black Edition

\*Valid for new vehicle orders placed up to and including 30 September 2012. Offers subject to availability  
RRP – Recommended Retail Price. VAT is calculated at 20% but this may alter to reflect any change in the applicable VAT rate.

## A4 Saloon SE

Engines	Power	Transmissions	CO <sub>2</sub> g/km	Basic RRP	Total RRP inc VAT	Recommended OTR
1.8 TFSI	120PS	manual	151	£19,012.50	£22,815.00	£23,630.00
1.8 TFSI	170PS	manual	134	£20,400.00	£24,480.00	£25,245.00
1.8 TFSI	170PS	multitronic	134	£21,633.33	£25,960.00	£26,725.00
2.0 TFSI	211PS	multitronic	140	£23,675.00	£28,410.00	£29,175.00
2.0 TFSI quattro	211PS	manual	159	£23,633.33	£28,360.00	£29,175.00
2.0 TFSI quattro	211PS	S tronic	159	£24,866.67	£29,840.00	£30,655.00
2.0 TDIe	136PS	manual	112	£21,591.67	£25,910.00	£26,555.00
2.0 TDI	143PS	manual	119	£21,591.67	£25,910.00	£26,555.00
2.0 TDI	143PS	multitronic	127	£22,825.00	£27,390.00	£28,035.00
2.0 TDIe	163PS	manual	115	£22,441.67	£26,930.00	£27,575.00
2.0 TDI	177PS	manual	120	£22,441.67	£26,930.00	£27,575.00
2.0 TDI	177PS	multitronic	127	£23,675.00	£28,410.00	£29,055.00
2.0 TDI quattro	177PS	manual	134	£23,633.33	£28,360.00	£29,125.00
3.0 TDI	204PS	multitronic	129	£24,870.83	£29,845.00	£30,490.00
3.0 TDI quattro	245PS	manual	152	£26,954.17	£32,345.00	£33,160.00
3.0 TDI quattro	245PS	S tronic	149	£28,187.50	£33,825.00	£34,605.00

## A4 Saloon SE Technik

Engines	Power	Transmissions	CO <sub>2</sub> g/km	Basic RRP	Total RRP inc VAT	Recommended OTR
2.0 TDIe	136PS	manual	112	£22,508.33	£27,010.00	£27,655.00
2.0 TDI	143PS	manual	119	£22,508.33	£27,010.00	£27,655.00
2.0 TDI	143PS	multitronic	127	£23,741.67	£28,490.00	£29,135.00
2.0 TDIe	163PS	manual	115	£23,358.33	£28,030.00	£28,675.00
2.0 TDI	177PS	manual	120	£23,358.33	£28,030.00	£28,675.00
2.0 TDI	177PS	multitronic	127	£24,591.67	£29,510.00	£30,155.00
2.0 TDI quattro	177PS	manual	134	£24,550.00	£29,460.00	£30,225.00

**Please note:** The maximum power output figures are quoted in PS (or Pferdestärke, which is the metric equivalent of brake horsepower). To convert to brake horsepower, divide the PS figure by 1.0139.

**Recommended On-The-Road (OTR) retail prices include:** delivery charge, half a tank of fuel, number plates at £590.00 (inc. VAT), Road Fund Licence (which may vary depending on model/transmission – see page 72 for details) and first registration fee at £55.00. Vehicle Excise Duty correct at time of going to print, but this may alter to reflect any change in the applicable VED rate.

RRP – Recommended Retail Price. VAT is calculated at 20% but this may alter to reflect any change in the applicable VAT rate.

## A4 Avant SE

Engines	Power	Transmissions	CO <sub>2</sub> g/km	Basic RRP	Total RRP inc VAT	Recommended OTR
1.8 TFSI	120PS	manual	154	£20,012.50	£24,015.00	£24,830.00
1.8 TFSI	170PS	manual	141	£21,400.00	£25,680.00	£26,460.00
1.8 TFSI	170PS	multitronic	139	£22,633.33	£27,160.00	£27,925.00
2.0 TFSI	211PS	multitronic	144	£24,675.00	£29,610.00	£30,390.00
2.0 TFSI quattro	211PS	manual	162	£24,633.33	£29,560.00	£30,375.00
2.0 TFSI quattro	211PS	S tronic	163	£25,866.67	£31,040.00	£31,855.00
2.0 TDIe	136PS	manual	116	£22,591.67	£27,110.00	£27,755.00
2.0 TDI	143PS	manual	124	£22,591.67	£27,110.00	£27,755.00
2.0 TDI	143PS	multitronic	129	£23,825.00	£28,590.00	£29,235.00
2.0 TDIe	163PS	manual	120	£23,441.67	£28,130.00	£28,775.00
2.0 TDI	177PS	manual	126	£23,441.67	£28,130.00	£28,775.00
2.0 TDI	177PS	multitronic	129	£24,675.00	£29,610.00	£30,255.00
2.0 TDI quattro	177PS	manual	139	£24,633.33	£29,560.00	£30,325.00
3.0 TDI	204PS	multitronic	135	£25,870.83	£31,045.00	£31,810.00
3.0 TDI quattro	245PS	manual	154	£27,954.17	£33,545.00	£34,360.00
3.0 TDI quattro	245PS	S tronic	154	£29,187.50	£35,025.00	£35,840.00

## A4 Avant SE Technik

Engines	Power	Transmissions	CO <sub>2</sub> g/km	Basic RRP	Total RRP inc VAT	Recommended OTR
2.0 TDIe	136PS	manual	116	£23,508.33	£28,210.00	£28,855.00
2.0 TDI	143PS	manual	124	£23,508.33	£28,210.00	£28,855.00
2.0 TDI	143PS	multitronic	129	£24,741.67	£29,690.00	£30,335.00
2.0 TDIe	163PS	manual	120	£24,358.33	£29,230.00	£29,875.00
2.0 TDI	177PS	manual	126	£24,358.33	£29,230.00	£29,875.00
2.0 TDI	177PS	multitronic	129	£25,591.67	£30,710.00	£31,355.00
2.0 TDI quattro	177PS	manual	139	£25,550.00	£30,660.00	£31,425.00

## A4 Saloon S line

Engines	Power	Transmissions	CO <sub>2</sub> g/km	Basic RRP	Total RRP inc VAT	Recommended OTR
1.8 TFSI	120PS	manual	151	£21,141.67	£25,370.00	£26,185.00
1.8 TFSI	170PS	manual	134	£22,529.17	£27,035.00	£27,800.00
1.8 TFSI	170PS	multitronic	134	£23,762.50	£28,515.00	£29,280.00
2.0 TFSI	211PS	multitronic	140	£25,804.17	£30,965.00	£31,730.00
2.0 TFSI quattro	211PS	manual	159	£25,762.50	£30,915.00	£31,730.00
2.0 TFSI quattro	211PS	S tronic	159	£26,995.83	£32,395.00	£33,210.00
2.0 TDI	143PS	manual	119	£23,720.83	£28,465.00	£29,110.00
2.0 TDI	143PS	multitronic	127	£24,954.17	£29,945.00	£30,590.00
2.0 TDI	177PS	manual	120	£24,570.83	£29,485.00	£30,130.00
2.0 TDI	177PS	multitronic	127	£25,804.17	£30,965.00	£31,610.00
2.0 TDI quattro	177PS	manual	134	£25,762.50	£30,915.00	£31,680.00
3.0 TDI	204PS	multitronic	129	£27,000.00	£32,400.00	£33,045.00
3.0 TDI quattro	245PS	manual	152	£29,083.33	£34,900.00	£35,715.00
3.0 TDI quattro	245PS	S tronic	149	£30,316.67	£36,380.00	£37,160.00

## A4 Saloon Black Edition

Engines	Power	Transmissions	CO <sub>2</sub> g/km	Basic RRP	Total RRP inc VAT	Recommended OTR
1.8 TFSI	120PS	manual	151	£22,183.33	£26,620.00	£27,435.00
1.8 TFSI	170PS	manual	134	£23,570.83	£28,285.00	£29,050.00
1.8 TFSI	170PS	multitronic	134	£24,804.17	£29,765.00	£30,530.00
2.0 TFSI	211PS	multitronic	140	£26,845.83	£32,215.00	£32,980.00
2.0 TFSI quattro	211PS	manual	159	£26,804.17	£32,165.00	£32,980.00
2.0 TFSI quattro	211PS	S tronic	159	£28,037.50	£33,645.00	£34,460.00
2.0 TDI	143PS	manual	119	£24,762.50	£29,715.00	£30,360.00
2.0 TDI	143PS	multitronic	127	£25,995.83	£31,195.00	£31,840.00
2.0 TDI	177PS	manual	120	£25,612.50	£30,735.00	£31,380.00
2.0 TDI	177PS	multitronic	127	£26,845.83	£32,215.00	£32,860.00
2.0 TDI quattro	177PS	manual	134	£26,804.17	£32,165.00	£32,930.00
3.0 TDI	204PS	multitronic	129	£28,041.67	£33,650.00	£34,295.00
3.0 TDI quattro	245PS	manual	152	£30,125.00	£36,150.00	£36,965.00
3.0 TDI quattro	245PS	S tronic	149	£31,358.33	£37,630.00	£38,410.00

Please note: The maximum power output figures are quoted in PS (or Pferdestärke, which is the metric equivalent of brake horsepower). To convert to brake horsepower, divide the PS figure by 1.0139.

Recommended On-The-Road (OTR) retail prices include: delivery charge, half a tank of fuel, number plates at £590.00 (inc. VAT), Road Fund Licence (which may vary depending on model/transmission – see page 72 for details) and first registration fee at £55.00. Vehicle Excise Duty correct at time of going to print, but this may alter to reflect any change in the applicable VED rate.

RRP – Recommended Retail Price. VAT is calculated at 20% but this may alter to reflect any change in the applicable VAT rate.

## A4 Avant S line

Engines	Power	Transmissions	CO <sub>2</sub> g/km	Basic RRP	Total RRP inc VAT	Recommended OTR
1.8 TFSI	120PS	manual	154	£22,141.67	£26,570.00	£27,385.00
1.8 TFSI	170PS	manual	141	£23,529.17	£28,235.00	£29,015.00
1.8 TFSI	170PS	multitronic	139	£24,762.50	£29,715.00	£30,480.00
2.0 TFSI	211PS	multitronic	144	£26,804.17	£32,165.00	£32,945.00
2.0 TFSI quattro	211PS	manual	162	£26,762.50	£32,115.00	£32,930.00
2.0 TFSI quattro	211PS	S tronic	163	£27,995.83	£33,595.00	£34,410.00
2.0 TDI	143PS	manual	124	£24,720.83	£29,665.00	£30,310.00
2.0 TDI	143PS	multitronic	129	£25,954.17	£31,145.00	£31,790.00
2.0 TDI	177PS	manual	126	£25,570.83	£30,685.00	£31,330.00
2.0 TDI	177PS	multitronic	129	£26,804.17	£32,165.00	£32,810.00
2.0 TDI quattro	177PS	manual	139	£26,762.50	£32,115.00	£32,880.00
3.0 TDI	204PS	multitronic	135	£28,000.00	£33,600.00	£34,365.00
3.0 TDI quattro	245PS	manual	154	£30,083.33	£36,100.00	£36,915.00
3.0 TDI quattro	245PS	S tronic	154	£31,316.67	£37,850.00	£38,395.00

## A4 Avant Black Edition

Engines	Power	Transmissions	CO <sub>2</sub> g/km	Basic RRP	Total RRP inc VAT	Recommended OTR
1.8 TFSI	120PS	manual	154	£23,183.33	£27,820.00	£28,635.00
1.8 TFSI	170PS	manual	141	£24,570.83	£29,485.00	£30,265.00
1.8 TFSI	170PS	multitronic	139	£25,804.17	£30,965.00	£31,730.00
2.0 TFSI	211PS	multitronic	144	£27,845.83	£33,415.00	£34,195.00
2.0 TFSI quattro	211PS	manual	162	£27,804.17	£33,365.00	£34,180.00
2.0 TFSI quattro	211PS	S tronic	163	£29,037.50	£34,845.00	£35,660.00
2.0 TDI	143PS	manual	124	£25,762.50	£30,915.00	£31,560.00
2.0 TDI	143PS	multitronic	129	£26,995.83	£32,395.00	£33,040.00
2.0 TDI	177PS	manual	126	£26,612.50	£31,935.00	£32,580.00
2.0 TDI	177PS	multitronic	129	£27,845.83	£33,415.00	£34,060.00
2.0 TDI quattro	177PS	manual	139	£27,804.17	£33,365.00	£34,130.00
3.0 TDI	204PS	multitronic	135	£29,041.67	£34,850.00	£35,615.00
3.0 TDI quattro	245PS	manual	154	£31,125.00	£37,350.00	£38,165.00
3.0 TDI quattro	245PS	S tronic	154	£32,358.33	£38,830.00	£39,645.00

## A4 allroad

Engines	Power	Transmissions	CO <sub>2</sub> g/km	Basic RRP	Total RRP inc VAT	Recommended OTR
2.0 TFSI quattro	211PS	manual	169	£25,470.83	£30,565.00	£31,485.00
2.0 TFSI quattro	211PS	S tronic	170	£26,704.17	£32,045.00	£32,965.00
2.0 TDI quattro	177PS	manual	159	£25,470.83	£30,565.00	£31,380.00
2.0 TDI quattro	177PS	S tronic	156	£26,704.17	£32,045.00	£32,860.00
3.0 TDI quattro	245PS	S tronic	161	£30,025.00	£36,030.00	£36,845.00

## S4 Saloon

Engine	Power	Transmission	CO <sub>2</sub> g/km	Basic RRP	Total RRP inc VAT	Recommended OTR
S4 quattro	333PS	S tronic	190	£31,312.50	£37,575.00	£38,680.00

## S4 Saloon Black Edition

Engine	Power	Transmission	CO <sub>2</sub> g/km	Basic RRP	Total RRP inc VAT	Recommended OTR
S4 quattro	333PS	S tronic	190	£32,354.17	£38,825.00	£39,930.00

## S4 Avant

Engine	Power	Transmission	CO <sub>2</sub> g/km	Basic RRP	Total RRP inc VAT	Recommended OTR
S4 quattro	333PS	S tronic	197	£32,312.50	£38,775.00	£39,880.00

## S4 Avant Black Edition

Engine	Power	Transmission	CO <sub>2</sub> g/km	Basic RRP	Total RRP inc VAT	Recommended OTR
S4 quattro	333PS	S tronic	197	£33,354.17	£40,025.00	£41,130.00

**Please note:** The maximum power output figures are quoted in PS (or Pferdestärke, which is the metric equivalent of brake horsepower). To convert to brake horsepower, divide the PS figure by 1.0139.

**Recommended On-The-Road (OTR) retail prices include:** delivery charge, half a tank of fuel, number plates at £590.00 (inc. VAT), Road Fund Licence (which may vary depending on model/transmission – see page 72 for details) and first registration fee at £55.00. Vehicle Excise Duty correct at time of going to print, but this may alter to reflect any change in the applicable VED rate.

RRP – Recommended Retail Price. VAT is calculated at 20% but this may alter to reflect any change in the applicable VAT rate.





## Audi exclusive



Every Audi is intrinsically exclusive. It's the breathtaking design, the exceptional engineering, the Vorsprung durch Technik. But for that special touch you can specify your new A4 with options from Audi exclusive. Whether you want a unique, custom-mixed paint colour or seats in a combination of complementary shades, Audi exclusive will enable you to drive the car you've always imagined.

Both the exclusive and standard options can be found on the following pages.



# Paint

You can select one of the standard colours shown opposite or, for a different look, choose from a range of optional finishes.

Options are subject to availability and may extend delivery.

\*Not available on A4 allroad or S4.

\*\*Not available on S4.

\*\*\*Only available on S4.

All the colour swatches on this page are matched as accurately as possible to the actual paint colours used. However, due to print processes, Audi UK cannot guarantee that colours shown are 100% accurate.

Visit your local Audi Centre for a more accurate colour swatch.

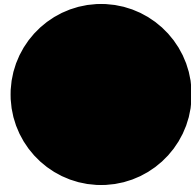
RRP – Recommended Retail Price.

VAT is calculated at 20% but this may alter to reflect any change in the applicable VAT rate.

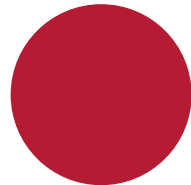
## Standard colours



Ibis white – T9

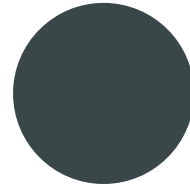


Brilliant black – A2

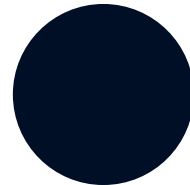


Brilliant red – C8\*

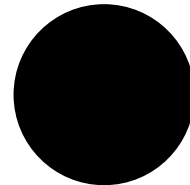
## Optional colours



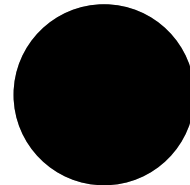
Monsoon grey, metallic – 0C



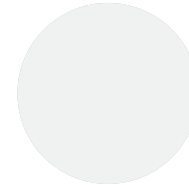
Moonlight blue, metallic – W1



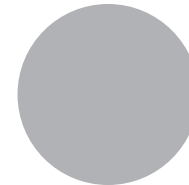
Phantom black, pearl effect – L8



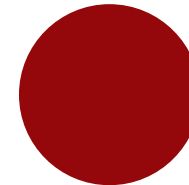
Lava grey, pearl effect – 1R



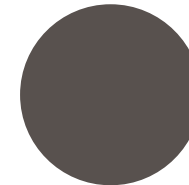
Glacier white, metallic – 2Y



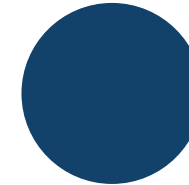
Ice silver, metallic – P5



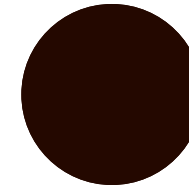
Volcano red, metallic – 1G



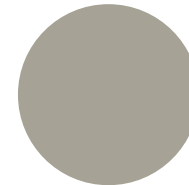
Dakota grey, metallic – Y7



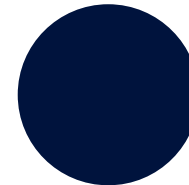
Scuba blue, metallic – S9\*\*



Teak brown, metallic – 4U\*\*

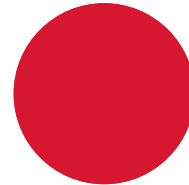


Cuveé silver, metallic – 0D\*\*

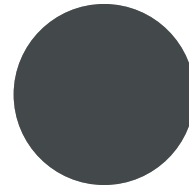


Estoril blue, crystal effect – K0\*\*\*

## S line and Black Edition colours



Misano red, pearl effect – N9  
(also available on S4 and S4 Black Edition)



Daytona grey, pearl effect – 6Y  
(not available on S4 or S4 Black Edition)

### Optional colours

Basic RRP  
£512.50

Total RRP inc VAT  
£615.00

### Estoril blue

Basic RRP  
£804.17

Total RRP inc VAT  
£965.00

# Paint

## Audi exclusive

Everyone has a favourite colour. No matter what yours is, Audi exclusive provides a range of unique colours that have been designed to set your car apart. Choose from the swatches here, or specify any other paint colour in the Audi range – whether it's Jet blue from the Audi R8 or Alpine white from the original Audi quattro. The choice is yours.

## Customised paint

If you have a particular colour in mind, we'll mix the exact metallic or pearl-effect shade you want.

Custom paint is subject to factory approval, and is available for metallic and pearl-effect water-based paints only. Three-colour process colours and two-tone schemes are not available.

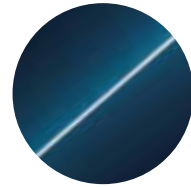
\*Visit your local Audi Centre for colour samples.

All the colour swatches on this page are matched as accurately as possible to the actual paint colours used. However, due to print processes, Audi UK cannot guarantee that colours shown are 100% accurate.

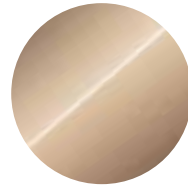
Visit your local Audi Centre for a more accurate colour swatch.

RRP – Recommended Retail Price.

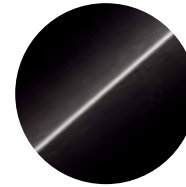
VAT is calculated at 20% but this may alter to reflect any change in the applicable VAT rate.



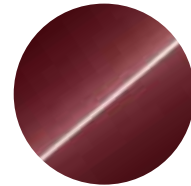
Palace blue, pearl effect



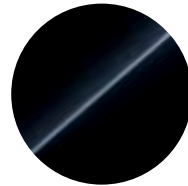
Sand beige, pearl effect



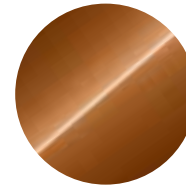
Saddle brown, pearl effect



Classic red, pearl effect



Mamba black, metallic



Ipanema brown, metallic



Any colour in the Audi range



100 Audi exclusive colours to choose from\*



Customised paint

### Audi exclusive

Basic RRP  
£1,445.83

Total RRP inc VAT  
£1,735.00

### Customised

Basic RRP  
£2,041.67

Total RRP inc VAT  
£2,450.00

# Upholstery

## A4 Standard seats

All leather upholstery choices include seats, head restraints, door inserts and front centre armrest in leather. Fine Nappa leather also includes front and rear door armrests in leather (7HB).

Options are subject to availability and may extend delivery.

- = Not available  
• = Available  
S = Standard


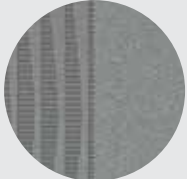

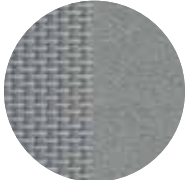

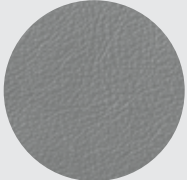




\*Not available on A4 allroad.

\*\*Not available on Saloon TDIe models.

\*Not available on A4 Saloon and Avant.

RRP – Recommended Retail Price.

VAT is calculated at 20% but this may alter to reflect any change in the applicable VAT rate.

							SE	SE Technik	S line	A4 Black Edition	A4 allroad	S4 quattro	Basic RRP	Total RRP inc VAT
Cosinus cloth							S	-	-	-	-	-	No charge	No charge
	Black - FZ	Titanium grey - IE												
Tundra cloth							-	-	-	-	S	-	No charge	No charge
	Black - FZ	Titanium grey - IK												
Milano leather							•	S	-	-	•	-	£1,095.83	£1,315.00
	Black - FZ	Titanium grey - IK/IE*	Velvet beige - ID*/IF											
Fine Nappa leather**							•	-	-	-	•	-	£1,400.00	£1,680.00
	Black - FZ	Titanium grey - IK/IE*	Chestnut brown - IH*/VR*				-	•	-	-	-	-	£304.17	£365.00

# Upholstery

## A4 Sports seats

Leather/Alcantara upholstery choices include head restraints, seat side bolsters and front centre armrest in leather with the seat centres and door inserts in Alcantara. All leather upholstery choices include seats, head restraints, door inserts and front centre armrest in leather. Fine Nappa leather also includes front and rear door armrests in leather (7HB)

Options are subject to availability and may extend delivery.

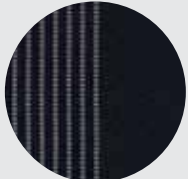

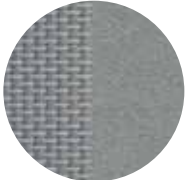

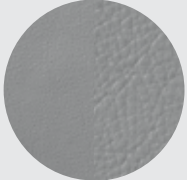

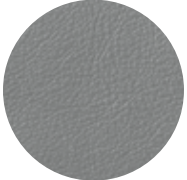





- = Not available  
• = Available  
S = Standard

\*Not available on A4 allroad.

\*\*Not available on Saloon TDIe models.

RRP - Recommended Retail Price.

VAT is calculated at 20% but this may alter to reflect any change in the applicable VAT rate.




							SE	SE Technik	S line	A4 Black Edition	A4 allroad	S4 quattro	Basic RRP	Total RRP inc VAT
Atrium cloth							•	•	-	-	-	-	£404.17	£485.00
Tundra cloth							-	-	-	-	•	-	£404.17	£485.00
Leather/Alcantara							•	-	-	-	•	-	£1,183.33	£1,420.00
							-	•	-	-	-	-	£404.17	£485.00
Milano leather							•	-	-	-	•	-	£1,500.00	£1,800.00
							-	•	-	-	-	-	£404.17	£485.00
Fine Nappa leather**							•	-	-	-	•	-	£1,804.17	£2,165.00
							-	•	-	-	-	-	£708.33	£850.00

# Upholstery

## A4 S line seats

Sprint cloth/leather and leather/Alcantara upholstery choices include head restraints, seat bolsters and front centre armrest in leather with the seat centres and door inserts in cloth or Alcantara respectively.

Fine Nappa leather upholstery includes seat head restraints, door inserts, front and rear door armrests and front centre armrest in leather. All S line upholstery choices have S line embossing in the backrest.

	SE	SE Technik	S line	A4 Black Edition	A4 allroad	S4 quattro	Basic RRP	Total RRP inc VAT
<b>Sprint cloth/leather</b>  Black with grey stitching – QZ	–	–	S	S	–	–	No charge	No charge
<b>Leather/Alcantara</b>  Black with grey stitching – QZ	–	–	•	•	–	–	£404.17	£485.00
<b>Fine Nappa leather*</b>  Black with black stitching – QE	–	–	•	•	–	–	£1,041.62	£1,250.00

Options are subject to availability and may extend delivery.

– = Not available  
 • = Available  
 S = Standard

\*Includes front and rear door armrests in Fine Nappa leather (7HB).

RRP – Recommended Retail Price.

VAT is calculated at 20% but this may alter to reflect any change in the applicable VAT rate.



# Upholstery

## A4 Climate Comfort seats (PS8)

Includes seat side bolsters, head restraints, door inserts and front centre armrest in leather with seat centre in perforated leather. Actively ventilated and heated. Electrically adjustable with memory function on driver's side and lumbar support. Also includes folding and auto-dimming door mirrors with memory function. Not available on Saloon TDIe models.

Options are subject to availability and may extend delivery.

- = Not available
- = Available
- S = Standard

\*Not available on A4 allroad.

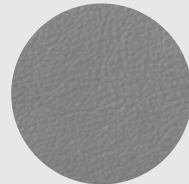
RRP - Recommended Retail Price.

VAT is calculated at 20% but this may alter to reflect any change in the applicable VAT rate.

Milano leather



Black - FZ



Titanium grey - IK/IE\*



Chestnut brown - IH\*



Velvet beige - ID\*/IF

SE	SE Technik	S line	A4/S4 Black Edition	A4 allroad	S4 quattro	Basic RRP	Total RRP inc VAT
•	-	-	-	•	-	£3,358.33	£4,030.00
-	•	-	-	-	-	£2,254.17	£2,705.00



Standard seat in Black Fine Nappa leather



Sports seat in Black Leather/Alcantara




Climate control seat in Velvet beige Milano leather

# Upholstery

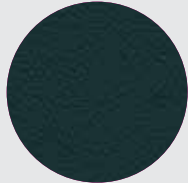


## S4 Sports seats

Leather/Alcantara upholstery choices include head restraints, seat side bolsters and front centre armrest in leather with the seat centres and door inserts in Alcantara.

Leather/Alcantara		SE	SE Technik	S line	S4 Black Edition	A4 allroad	S4 quattro	Basic RRP	Total RRP inc VAT
		-	-	-	S	-	S	No charge	No charge

## S4 Super Sports seats\*

Two-tone leather upholstery with contrast stitching. Includes seats, head restraints, door inserts, front and rear door armrests and front centre armrest in leather.

Fine Nappa leather				SE	SE Technik	S line	S4 Black Edition	A4 allroad	S4 quattro	Basic RRP	Total RRP inc VAT
				-	-	-	•	-	•	£1,166.67	£1,400.00

Options are subject to availability and may extend delivery.

- = Not available
- = Available
- S = Standard

\*Must be combined with through-load facility (3X2).

RRP - Recommended Retail Price.

VAT is calculated at 20% but this may alter to reflect any change in the applicable VAT rate.



S4 Super Sports seats in Magma red/Black

# Colour and trim guide

## Interior trim colours

### Standard seats

To help you choose the right interior for your new Audi A4, please use this guide, showing the carpet, dashboard and headlining colours that have been matched to your chosen upholstery.

### Sports seats – PS1

### S line Sports seats

### Climate controlled comfort seats – PS8

Options are subject to availability and may extend delivery.

– = Not available  
• = Available  
S = Standard

## A4 Saloon and Avant colour and trim guide

Order Code	Upholstery	Carpet	Dashboard	Headlining	Cosinus cloth (N2M)	Milano leather (N5W)	Fine Nappa leather (N3Q)
FZ	Black	Black	Black	Lunar silver	•	•	•
IE	Titanium grey	Grey	Grey	Lunar silver	•	•	•
IK	Titanium grey	Black	Black	Lunar silver	–	•	•
ID	Velvet beige	Black	Black	Pashmina beige	–	•	–
IF	Velvet beige	Moor brown	Moor brown	Pashmina beige	–	•	–
IH	Chestnut brown	Black	Black	Black	–	–	•

Order Code	Upholstery	Carpet	Dashboard	Headlining	Atrium cloth (N2E)	Leather/Alcantara (N7U)	Milano leather (N5W)	Fine Nappa leather (N3Q)
FZ	Black	Black	Black	Lunar silver	•	•	•	•
IE	Titanium grey	Grey	Grey	Lunar silver	–	•	•	•
IK	Titanium grey	Black	Black	Lunar silver	–	•	•	•
ID	Velvet beige	Black	Black	Pashmina beige	–	–	•	•
IF	Velvet beige	Moor brown	Moor brown	Pashmina beige	–	–	•	•
IH	Chestnut brown	Black	Black	Black	–	–	•	•

Order Code	Upholstery	Carpet	Dashboard	Headlining	Sprint cloth/leather (N7V)	Leather/Alcantara (N7K)	Fine Nappa leather (N2R)
QZ	Black with Jet grey stitching	Black	Black	Black	•	•	–
QE	Black with Black stitching	Black	Black	Black	–	–	•

Order Code	Upholstery	Carpet	Dashboard	Headlining	Perforated Milano Leather (N5W)
FZ	Black	Black	Black	Lunar silver	•
IE	Titanium grey	Grey	Grey	Lunar silver	•
IK	Titanium grey	Black	Black	Lunar silver	•
ID	Velvet beige	Black	Black	Pashmina beige	•
IF	Velvet beige	Moor brown	Moor brown	Pashmina beige	•
IH	Chestnut brown	Black	Black	Black	•

# Colour and trim guide

## Interior trim colours

### Standard seats

### A4 allroad colour and trim guide

Order Code	Upholstery	Carpet	Dashboard	Headlining	Tundra cloth (N2W)	Milano leather (N5W)	Fine Nappa leather (N3Q)
FZ	Black	Black	Black	Lunar silver	●	●	●
IK	Titanium grey	Black	Black	Lunar silver	●	●	●
IF	Velvet beige	Moor brown	Moor brown	Pashmina beige	—	●	—
VR	Chestnut brown	Black	Black	Black	—	—	●

### Sports seats – PS1

Order Code	Upholstery	Carpet	Dashboard	Headlining	Tundra cloth (N2W)	Leather/Alcantara (N7U)	Milano leather (N5W)	Fine Nappa leather (N3Q)
FZ	Black	Black	Black	Lunar silver	●	●	●	●
IK	Titanium grey	Black	Black	Lunar silver	●	●	—	●
ID	Velvet beige	Black	Black	Pashmina beige	—	—	—	●
IF	Velvet beige	Moor brown	Moor brown	Pashmina beige	—	—	●	●
VR	Chestnut brown	Black	Black	Black	—	—	—	●

### Climate controlled comfort seats – PS8

Order Code	Upholstery	Carpet	Dashboard	Headlining	Perforated Milano leather (N5W)
FZ	Black	Black	Black	Lunar silver	●
IK	Titanium grey	Black	Black	Lunar silver	●
IF	Velvet beige	Moor brown	Moor brown	Pashmina beige	●
VR	Chestnut brown	Black	Black	Black	●

Options are subject to availability and may extend delivery.

— = Not available  
 ● = Available  
 S = Standard

# Colour and trim guide

## Interior trim colours

### S4 Sports seats

### S4 Super Sports seats – PS6

## S4 Saloon and Avant colour and trim guide

Order Code	Upholstery	Carpet	Dashboard	Headlining	Leather/ Alcantara (N7N)
<b>ZM/SX</b>	Black	Black	Black	Black or Silver	●
<b>SU/SY</b>	Lunar silver	Black	Black	Black or Silver	●

Order Code	Upholstery	Carpet	Dashboard	Headlining	Fine Nappa leather with contrast stitching (N3M)
<b>ZM/SX</b>	Black /Black	Black	Black	Black or Silver	●
<b>SU/SY</b>	Lunar silver /Black	Black	Black	Black or Silver	●
<b>FA/SZ</b>	Magma red /Black	Black	Black	Black or Silver	●
<b>SV/WY</b>	Chestnut brown /Black	Black	Black	Black or Silver	●

Options are subject to availability and may extend delivery.

- = Not available
- = Available
- S = Standard

# Colour and trim guide

## Solid paint

## Metallic paint

## Pearl effect paint

### A4 allroad exterior colours and bumper guide

Order Code	Exterior Colour	Black matt coloured bumper	Platinum grey matt coloured bumper
<b>T9</b>	Ibis white	●	—
<b>A2</b>	Brilliant black	—	●

Order Code	Exterior Colour	Black matt coloured bumper	Platinum grey matt coloured bumper
<b>0D</b>	Cuveé silver	—	●
<b>2Y</b>	Glacier white	●	—
<b>P5</b>	Ice silver	●	—
<b>0C</b>	Monsoon grey	●	—
<b>W1</b>	Moonlight blue	—	●
<b>S9</b>	Scuba blue	●	—
<b>4U</b>	Teak brown	—	●
<b>1G</b>	Volcano red	●	—

Order Code	Exterior Colour	Black matt coloured bumper	Platinum grey matt coloured bumper
<b>L8</b>	Phantom black	—	●
<b>1R</b>	Lava grey	—	●

Options are subject to availability and may extend delivery.

- = Not available
- = Available
- S = Standard

# Upholstery

## Audi exclusive

With Audi exclusive, you can specify your seats in Valcona leather or Valcona leather/Alcantara, in an array of different colours shown to the right.

Select just one all-over shade for each seat, or customise each panel in two or more complementary colours from the distinctive Audi exclusive palette. You can even choose the colour of the decorative stitching – to match or contrast with your chosen upholstery – from this varied collection. Whatever combination you decide upon, we think you'll be extremely comfortable with the result.

Options are subject to availability and may extend delivery.

- = Not available
- = Available
- S = Standard

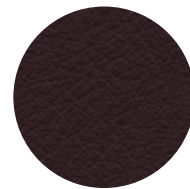
\*Leather and stitching (where applicable) can be specified in a variety of colours from the Audi exclusive range.

\*Not available on S4 Black Edition

RRP – Recommended Retail Price.

VAT is calculated at 20% but this may alter to reflect any change in the applicable VAT rate.

Order Code		SE	SE Technik	S line	A4/S4 Black Edition	A4 allroad	S4 quattro	Basic RRP	Total RRP inc VAT
<b>PYB S3G</b>	<b>Audi exclusive leather package 1 in Valcona leather.</b> Seat upholstery, door trim inserts, door armrests and front centre armrest in leather. Backrest covers and seat add-on parts come in the interior trim colour**	•	•	•	•	•	–	£3,191.67	£3,830.00
<b>PYC S3G</b>	<b>Audi exclusive leather package 1 in Valcona leather/Alcantara.</b> Includes leather-covered seat-side trims, head restraints, front centre armrest and Alcantara door trim inserts and seat-centre sections. Backrest covers and seat add-on parts come in the interior trim colour.* Only in combination with Sports seats*	•	•	•	•	•	–	£3,191.67	£3,830.00
<b>PYE S3G</b>	<b>Audi exclusive leather package 2 in Valcona leather.</b> Includes all the contents of leather package 1 (PYB/S3G) plus leather-covered seat backrest covers. Seat-side trims and add-on parts are colour-coordinated. Only in combination with electrically-adjustable front seats (PV1)*	•	•	•	•	•	–	£3,616.67	£4,340.00



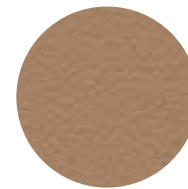
Chestnut brown



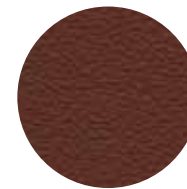
Jet grey



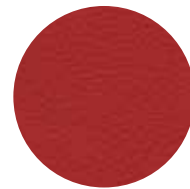
Alabaster white



Sand beige



Saddle brown



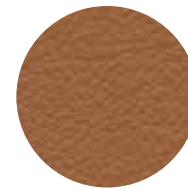
Crimson red



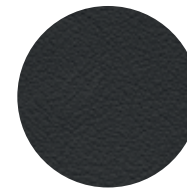
Magnolia white



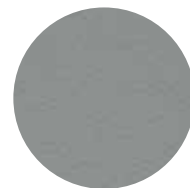
Havana brown



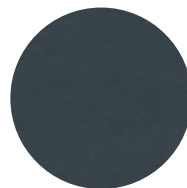
Cognac brown



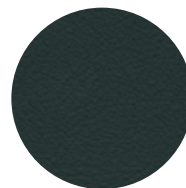
Night blue



Cloudy grey



Smoky blue



Iceland green



Powder beige



Classic red

### Also available:

**Alcantara colours:** available in all the Audi exclusive colours shown, except for Crimson red, Jet grey and Sand beige. Alcantara equivalents are Chilli red, Amethyst grey, and Sesame beige respectively.

Please consult your Audi Centre for examples of Alcantara and carpet colours.



# Upholstery

## Audi exclusive line

Audi exclusive is ultimately about choice – but if you'd rather leave some of the decisions in the capable hands of our designers, the expert team at quattro GmbH have compiled Audi exclusive line, combining some of the most popular elements of the exclusive range in one, beautifully coordinated package.

Options are subject to availability and may extend delivery.

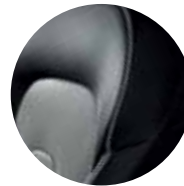
– = Not available  
• = Available  
S = Standard

\*When ordered in combination with S line, Audi exclusive sill trims are replaced with S line sill trims.

RRP – Recommended Retail Price.

VAT is calculated at 20% but this may alter to reflect any change in the applicable VAT rate.

Order Code		SE	SE Technik	S line	A4/S4 Black Edition	A4 allroad	S4 quattro	Basic RRP	Total RRP inc VAT
WQK	Audi exclusive line. (Not available on 2.0 TDIe engines)	•	•	–	–	•	–	£3,345.83	£4,015.00
PQL	Audi exclusive line	–	–	•	•	–	–	£2,020.83	£2,425.00



Cloudy grey – UH



Cognac brown – QX



Alabaster white – UA

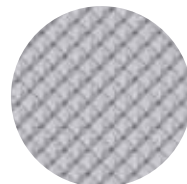
### This package includes

- ▶ Sports seats in two-tone Fine Nappa leather upholstery. Seat-centre sections in Cloudy grey, Cognac brown or Alabaster white. Seat-side sections and head restraints in black with decorative stitching to match seat centres
- ▶ Door panels in Fine Nappa leather to match seat centres
- ▶ Black dashboard and carpets
- ▶ Black cloth headlining
- ▶ Audi exclusive sill trims\*
- ▶ Matt-brushed aluminium inlays
- ▶ Black front and rear floor mats with leather piping to match seat centres
- ▶ 3-spoke Sports multi-function steering wheel in black leather and gear lever gaiter with stitching to match seat centres

# Inlays

Inlays are the all-important finishing touch that add flair and interest to your car's interior.

Order Code		SE	SE Technik	S line	A4/S4 Black Edition	A4 allroad	S4 quattro	Basic RRP	Total RRP inc VAT
5MU	Aluminium trigon (with aluminium optics for centre console and electromechanical parking brake)	S	S	-	-	●	-	£129.17	£155.00
5MK	Carbon atlas	-	-	-	-	-	●	£212.50	£255.00
7TL	Fine grain ash, natural	●	●	-	-	-	-	£145.83	£175.00
		-	-	-	-	●	-	£275.00	£330.00
5TZ	Fine grain birch wood, grey	-	-	●	-	-	-	£275.00	£330.00
5MT	Oakwood, beaufort	●	●	-	-	-	-	£275.00	£330.00
5TL	Piano finish, black	-	-	●	S	-	-	No charge	No charge
5MZ	Stainless steel mesh (centre console comes in Piano finish, black)	-	-	-	-	-	●	£304.17	£365.00
5MG	Walnut, brown (with aluminium optics for centre console and electromechanical parking brake)	●	●	-	-	●	-	£129.17	£155.00



Aluminium trigon - 5MU



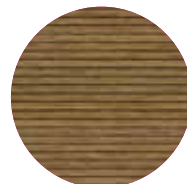
Carbon atlas - 5MK



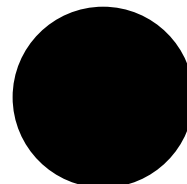
Fine grain ash, natural - 7TL



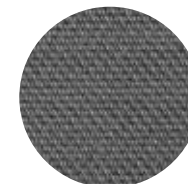
Fine grain birch wood, grey - 5TZ



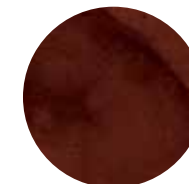
Oakwood, beaufort - 5MT



Piano finish, black - 5TL



Stainless steel mesh - 5MZ



Walnut, brown - 5MG

Options are subject to availability and may extend delivery.

- = Not available  
● = Available  
S = Standard

RRP - Recommended Retail Price.

VAT is calculated at 20% but this may alter to reflect any change in the applicable VAT rate.

# Inlays

## Audi exclusive

Audi exclusive has sourced a wide range of materials which you can select for your inlays, from Sepia oak to Fine grain myrtle.

Order Code		SE	SE Technik	S line	A4/S4 Black Edition	A4 allroad	S4 quattro	Basic RRP	Total RRP inc VAT
YTA S3G	Audi exclusive inlays	•	•	•	-	•	•	£675.00	£810.00



Fine grain ash, nougat



Fine grain myrtle, nutmeg



Oak, sepia

Options are subject to availability and may extend delivery.

- = Not available
- = Available
- S = Standard

RRP – Recommended Retail Price.

VAT is calculated at 20% but this may alter to reflect any change in the applicable VAT rate.

## Wheels, tyres and suspension

Choose a set of specially-selected alloy wheels to subtly enhance the way your car looks and drives. And you can also specify Audi drive select, which allows you to change suspension and steering settings according to your driving style.



16" x 7.5J '5-spoke'  
design alloy wheels – YEH



17" x 8J '10-spoke'  
design alloy wheels – PRT



18" x 8J '5-spoke star'  
design alloy wheels – PRD



18" x 8J '10-spoke dynamik'  
design alloy wheels – PRQ



18" x 8J '5-arm rotor'  
design alloy wheels – PRL



18" x 8J '10-spoke exclusive'  
design alloy wheels – PQ5



19" x 8.5J '5-segment-spoke'  
design alloy wheels – PQ6



19" x 8.5J '7-arm double-spoke'  
design alloy wheels – PQF



19" x 8.5J '20-spoke'  
design alloy wheels – PQS

# Wheels, tyres and suspension

Order Code		SE	SE Technik	S line	A4/S4 Black Edition	A4 allroad	S4 quattro	Basic RRP	Total RRP inc VAT
YEH	16" x 7.5J '5-spoke' design alloy wheels with 225/55 R16 Y tyres	●	●	—	—	—	—	No charge	No charge
PRT	17" x 8J '10-spoke' design alloy wheels with 245/45 R17 Y tyres*	●	●	—	—	—	—	£254.17	£305.00
PRD	18" x 8J '5-spoke star' design alloy wheels with 245/40 R18 Y tyres*	●	●	—	—	—	—	£516.67	£620.00
PRQ	18" x 8J '10-spoke dynamik' design alloy wheels with 245/40 R18 Y tyres*	●	●	—	—	—	—	£516.67	£620.00
PRL	18" x 8J '5-arm rotor' design alloy wheels with 245/45 R18 Y tyres	—	—	—	—	●	—	£133.33	£160.00
PQ5	18" x 8J '10-spoke exclusive' design alloy wheels with 245/40 R18 Y tyres	—	—	●	—	—	—	No charge	No charge
PQG	18" x 8J '5-twin-spoke' design alloy wheels with 245/40 R18 Y tyres**	—	—	●	—	—	—	No charge	No charge
PQ6	19" x 8.5J '5-segment-spoke' design alloy wheels with 255/35 R19 Y tyres	—	—	—	●	—	—	No charge	No charge
		—	—	—	—	—	●	£958.33	£1,150.00
PQF	19" x 8.5J '7-arm double-spoke' design alloy wheels with 255/35 Y R19 tyres	—	—	●	—	—	●	£554.17	£665.00
PQS	19" x 8.5J '20-spoke' design alloy wheels with 255/35 R19 Y tyres	—	—	●	—	—	●	£554.17	£665.00
1BE	Sports suspension, with stiffer springs and stiffer shock absorbers. Standard on TDIe models	●	●	S	S	—	—	£212.50	£255.00
1BV	S line Sports suspension, lowered by 30mm with more firmly tuned springs and dampers for more direct contact with the road. Not available on S4 Black Edition	—	—	●	●	—	—	No charge	No charge
2H1	Audi drive select. Changes your car's handling and responses at the touch of a button to suit the way you want to drive. Enables the driver to alter the throttle response, the shift point of the automatic transmission and the power steering feel between the four pre-set modes comfort, dynamic, auto and efficiency. Efficiency mode also adjusts the climate control and the cruise control for consumption-improvement. In combination with MMI Navigation systems, individual mode is also available, allowing even more fine tuning. Not available on 1.8 TFSI 120PS	●	●	●	●	●	●	£183.33	£220.00
1N8	Dynamic steering. Improves comfort and handling by dynamically regulating steering according to the driving situation. With this technology, driving is significantly more agile under everyday conditions, while directional stability and precision are increased at high speeds and in demanding driving situations. Only available in combination with Audi drive select. Not available on 1.8 TFSI 120PS or TDIe models	●	●	●	●	●	●	£604.17	£725.00
1BL	Damper control. Formed on the basis of lowered Sports suspension, the optional damper control system fine tunes suspension settings according to road conditions and driver needs. Only available in combination with Audi drive select. Not available on 1.8 TFSI 120PS, TDIe models or in combination with S line Sports suspension	●	●	—	—	—	—	£566.67	£680.00
		—	—	●	●	—	●	£250.00	£300.00
GH2	Audi quattro Sports differential. The electronically regulated Sports differential distributes variable amounts of driving force to each rear wheel, ensuring outstanding acceleration performance in corners and stabilising the vehicle's response to load change. It also ensures better direct steering characteristics and, thanks to less steering effort, more agile handling. Only available on 3.0 TDI quattro 245PS and S4 quattro and in combination with Audi drive select (2H1)	●	—	●	●	—	●	£516.67	£620.00

Options are subject to availability and may extend delivery.

— = Not available  
● = Available  
S = Standard

\*Not available on TDIe models.

\*\*Please refer to page 8-9 for image.

RRP – Recommended Retail Price.

VAT is calculated at 20% but this may alter to reflect any change in the applicable VAT rate.

# Packages

Some items work well together, which is why we've created these special packages. They provide increased convenience and value by combining several of our most popular options.

Order Code		SE	SE Technik	S line	A4/S4 Black Edition	A4 allroad	S4 quattro	Basic RRP	Total RRP inc VAT	
WB3	<b>Sound package</b> Includes the following features: <b>Bang &amp; Olufsen sound system.</b> Designed specifically for the Audi A4, features 14 high-performance speakers and two amplifiers which create 505 Watts of stunning surround sound, balanced to suit the specific acoustic properties of the car's interior <b>DAB digital radio.</b> Receives programmes from digital radio transmitters, in addition to the range of analogue stations, with better sound quality Not available on Saloon TDIe 136PS	●	●	●	S	●	●	£500.00	£600.00	
	<b>Technology package – Low</b> Includes the following features: <b>MMI Navigation system – DVD-based.</b> Including 2 SDHC memory card readers and DVD player for navigation data which can also be used for music CDs, all MP3, WMA and AAC compatible, dynamic route guidance via TMC, 5-digit postcode entry <b>Audi music interface.</b> Connection for use with stereo audio sources, USB and MP3 devices including Apple iPod generation 4 onwards and Apple iPhone <b>Audi parking system plus.</b> Acoustic and visual park assist system for the front and rear (Standard on Saloon Black Edition models)	Avant	●	S	●	–	●	●	£1,270.83	£1,525.00
WB4 7X4		Saloon	–	–	–	●	–	–	£1,058.33	£1,270.00
		Saloon	–	–	–	●	–	–	£787.50	£945.00
WB7 7X4	<b>Technology package – High</b> Includes all the features of Technology package – Low as well as <b>MMI Navigation system plus.</b> Hard disk navigation with topographical map display places of interest and town models in 3D, with high-resolution 7" colour TFT display. The system offers three alternative routes, with the ability to scroll along the selected route and manoeuvre within the map. Uses 7-digit postcode recognition. Includes split-screen mode for route information, dynamic route guidance (TMC), intersection zoom function, motorway exits and lane recommendations in Driver's Information System (DIS). When combined with Mobile telephone preparation - High (9ZW), the system uses Google Earth images for navigation. Includes 2 SD card readers, single CD/DVD player and 40GB hard drive, Jukebox (20GB) for storing and managing music files in WMA and MP3 format. Includes European navigation data (where digitalised)	Avant	●	–	●	–	●	●	£1,662.50	£1,995.00
		Saloon	–	–	–	●	–	–	£1,450.00	£1,740.00
		Saloon	–	–	–	●	–	–	£1,179.00	£1,415.00
			–	●	–	–	–	–	£391.67	£470.00
PCB WB7	<b>Technology package – Advanced</b> Includes all the features of Technology package – Low and High as well as <b>Adaptive cruise control with braking guard.</b> Intelligent automatic speed and distance control system. Works at speeds from 19-124mph, using radar sensors to measure and maintain required distance to vehicle ahead by braking and accelerating. Four programs (distance 1 to distance 4) set via steering column controls of the cruise control system. Includes Audi braking guard – a system which triggers a visual and acoustic alarm when it detects the risk of a rear end collision with the vehicle in front. At speeds below 19mph the system can initiate partial braking or full deceleration if a potential impact is detected to help prevent a collision, or if it is not possible to completely prevent a collision, the system will focus on reducing the speed at which the vehicles collide <b>Audi active lane assist.</b> Helps the driver to stay in lane with gentle steering impulses for greater safety and convenience, particularly on motorways and country roads. The system informs the driver if the car is drifting out of its lane unintentionally above approximately 37mph Not available on TDIe models	Avant	●	–	●	–	●	●	£2,183.33	£2,620.00
		Saloon	–	–	–	●	–	–	£1,970.83	£2,365.00
		Saloon	–	–	–	●	–	–	£1,700.00	£2,040.00
			–	●	–	–	–	–	£912.50	£1,095.00

Options are subject to availability and may extend delivery.

- = Not available
- = Available
- S = Standard

RRP – Recommended Retail Price.

VAT is calculated at 20% but this may alter to reflect any change in the applicable VAT rate.

# Packages



Audi Music Interface (part of Technology packages)



MMI Navigation system plus (part of Technology package - High and Advanced)



MMI Navigation system plus controls (part of Technology package - High and Advanced) and Beaufort Oakwood inlays



Audi parking system plus (part of Technology packages)

# Audio and communication

Stay in touch using our range of communication functions, and give each journey its own soundtrack with our advanced audio equipment.

Options are subject to availability and may extend delivery.

- = Not available
- = Available
- S = Standard

RRP – Recommended Retail Price.

VAT is calculated at 20% but this may alter to reflect any change in the applicable VAT rate.

Order Code		SE	SE Technik	S line	A4/S4 Black Edition	A4 allroad	S4 quattro	Basic RRP	Total RRP inc VAT
<b>8UM</b>	<b>Symphony radio</b> – with front-loading 6-CD changer which is MP3, WMA and AAC compatible. Cannot be combined with navigation systems	•	-	•	•	•	•	£233.33	£280.00
<b>QV3</b>	<b>DAB digital radio.</b> Receives programmes from digital radio transmitters in addition to the range of analogue stations with better sound quality. When combined with a navigation system, a second DAB twin tuner permanently searches for alternative reception frequencies of the set station, and the station list is updated at the same time. Please note – reception depends on local digital network availability. When combined with Technology package – High or Advanced (WB7 or PCB) it is also capable of receiving DAB+ and DMB audio signals. Also available as part of Sound package	•	•	•	S	•	•	£254.17	£305.00
<b>9VK</b>	<b>Bang &amp; Olufsen sound system.</b> Designed specifically for the Audi A4, features 14 high-performance speakers and two amplifiers which create 505 Watts of stunning surround sound, balanced to suit the specific acoustic properties of the car's interior. The system constantly and automatically adapts the sound characteristics to the vehicle's speed and background noise providing the highest level of quality. The digital signal-processing amplifier takes output from standard stereo sources such as CD players, iPods or DAB radios and creates exceptional five-channel surround sound. Also available as part of Sound package. Not available on Saloon TDIe 136PS models	•	•	•	S	•	•	£445.83	£535.00
<b>PNW</b>	<b>MMI Navigation system – DVD-based.</b> Map is shown on the 6.5" colour centre display. Includes: - 2 SDHC memory card readers and DVD player for navigation data which can also be used for music CDs, all MP3, WMA and AAC compatible - Dynamic route guidance via TMC, numerous route planning options and destination memory - 5-digit postcode entry - Turning instructions in the DIS - Voice control to operate address book, radio and navigation system (destination entry via spelling) - Europe DVD (where digitised) Also available as part of Technology package – Low	•	S	•	•	•	•	£1,350.00	£1,620.00



MMI Navigation system controls (part of Technology package – Low)



Mobile telephone preparation – High with Audi connect



Bang & Olufsen sound system



# Audio and communication

Order Code		SE	SE Technik	S line	A4/S4 Black Edition	A4 allroad	S4 quattro	Basic RRP	Total RRP inc VAT
PT5	<b>Mobile telephone preparation – Low with Bluetooth and voice control.</b> Provides handsfree connection via Bluetooth using mobile phone aerial. Alternatively, it can use a cradle with charging facility for optimal reception via external aerial. Located in front centre armrest. Cradle available at extra cost – please contact your Audi Centre for phone compatibility	●	●	●	●	●	●	£145.83	£175.00
9ZW	<b>Mobile telephone preparation – High with Audi connect.</b> A mobile phone can be connected to the internal UMTS (3G) module via Bluetooth (provided the mobile telephone has SIM Access Profile <sup>1</sup> ), or alternatively through the additional SIM card reader <sup>2</sup> . It is possible to transfer phone book entries to the car and manage call lists. Audi connect features include: navigation using Google Earth images and Google Street View, destination entry via Google Maps or myAudi, online point of interest search and information services such as weather forecasts and the latest world news. Audi connect also includes Audi traffic information online, which gives accurate real-time forecasts of the traffic situation along the chosen route. The traffic situation can be displayed on the navigation map or Google Earth image. Audi connect can also create a Wi-Fi hotspot in the car for convenient internet access using a mobile device (e.g. laptop or tablet) <sup>3</sup> . Many Audi connect features can be simply operated via MMI Navigation Plus, the multi-function steering wheel or the voice control system. Only in combination with Technology package – High or Advanced (WB6 or PCB)	●	●	●	●	●	●	£291.67	£350.00
UF7	<b>Audi music interface</b> – provides connection for use with stereo audio sources, USB and MP3 devices including Apple iPod generation 4 onwards and Apple iPhone. Provides intuitive control through the audio system and multi-function steering wheel. It also replicates the iPod display on the audio screen and DIS, including track titles. The interface provides a charging function (dependent on device). Includes 2 cables to connect your iPod or USB MP3 device. Also available as part of Technology packages	●	S	●	S	●	●	£212.50	£255.00
7A6	<b>CD changer.</b> 6-CD changer located in the glove box. Operated via MMI system. Only available in combination with MMI Navigation system – DVD-based or Technology package – Low. Not available on Saloon TDiE models	●	●	●	●	●	●	£254.17	£305.00
7D1	<b>CD changer and DVD player.</b> 6-CD changer located in the glove box and single CD/DVD slot in centre console. Only available in combination with Technology package – High or Advanced	●	●	●	●	●	●	£254.17	£305.00
9WM	<b>Rear Seat Entertainment.</b> Includes two detachable DVD players/monitors fitted to the back of the front seats (supplied by Audi Genuine Accessories). The backs of the front seats are fitted with mountings and power connections. The system can be used outside the car with a rechargeable battery or mains power connection, which is included in the package. Includes individual remote controls and two sets of headphones. Not available in combination with front Super Sports seats	●	●	●	●	●	●	£875.00	£1,050.00
QU7	<b>Digital TV reception.</b> Reception of digital (DVB-T) uncoded television stations (MPEG-2 standard), TV picture, teletext and Electronic Programme Guide (EPG). Facility to connect 2 external AV sources via adaptor cables (available from Audi Genuine Accessories). Please note: TV reception depends on local digital network availability. No AV or TV video output when driving (audio output available when driving). Only available in combination with Technology package – High or Advanced	●	●	●	●	●	●	£725.00	£870.00

Options are subject to availability and may extend delivery.

– = Not available  
● = Available  
S = Standard

<sup>1</sup>To check the compatibility of your mobile phone and whether it has SIM Access Profile compatibility, please visit [www.audi.co.uk/owners-area/phone-compatibility.html](http://www.audi.co.uk/owners-area/phone-compatibility.html)

<sup>2</sup>Please note that when a data SIM card is inserted into the SIM card reader, Bluetooth handsfree connectivity is disabled, as the SIM card takes priority over the Bluetooth connection.

<sup>3</sup>Online services are only available for mobile phone contracts including a data option and only within the coverage of the mobile phone network; there may be additional costs for the use of these services (charges and billing correspond to the personal mobile phone contract). Due to high data volumes, a mobile phone contract including an unlimited data plan is strongly recommended. The content and scope of the online-based services offered may vary.

RRP – Recommended Retail Price.

VAT is calculated at 20% but this may alter to reflect any change in the applicable VAT rate.

# Seats

Choose from a variety of different seat options so you can maintain the right driving posture at all times.

Options are subject to availability and may extend delivery.

- = Not available
- = Available
- S = Standard

RRP – Recommended Retail Price.

VAT is calculated at 20% but this may alter to reflect any change in the applicable VAT rate.

Order Code		SE	SE Technik	S line	A4/S4 Black Edition	A4 allroad	S4 quattro	Basic RRP	Total RRP inc VAT
<b>4A3</b>	<b>Heated front seats.</b> Heats the seat cushions and backrest surfaces and can be adjusted in 3 stages for each individual seat via a direct selection button on the air conditioning controls. In combination with Sports seats and leather upholstery, the seat side bolsters are also heated	•	•	•	•	•	•	£233.33	£280.00
<b>4A4</b>	<b>Heated front and rear seats.</b> Individually controlled variable temperature adjustment. Not available with cloth seats. Not available on Saloon TDiE models	•	•	•	•	•	•	£383.33	£460.00
<b>7P1</b>	<b>Electric lumbar support.</b> For front seats with 4-way horizontal and vertical adjustment. Included with Sports seats	•	•	S	S	•	S	£195.83	£235.00
<b>PV1</b>	<b>Electrically-adjustable front seats.</b> Includes adjustment for height, forwards and backwards position, backrest angle and lumbar support. Not available on Saloon TDiE models  In combination with Sports seats	•	•	-	-	•	-	£637.50	£765.00
		-	-	•	•	-	S	£441.67	£530.00
<b>PV3 6XL 7PI</b>	<b>Convenience package.</b> Comprising electric front seats with memory function on driver's side, electric lumbar support for both front seats, and folding and auto-dimming door mirrors with memory function. Two different positions can be stored, adapting seat longitudinal position, seat height, seat inclinations and backrest angle as well as the exterior mirror settings. The positions are assigned to the corresponding car key, and the system automatically adopts the relevant settings when the car is unlocked via the remote control. Mirrors also include curb view function which lowers the passenger side mirror for increased visibility whilst reversing. Please note S4 price also applies to S4 Black Edition. Not available on Saloon TDiE models	•	•	-	-	•	-	£1,191.67	£1,430.00
		-	-	•	•	-	-	£995.83	£1,195.00
		-	-	-	-	-	•	£554.17	£665.00



# Safety and security

Intelligent technology designed to give you better all-round awareness and safety on the road.

Options are subject to availability and may extend delivery.

-- = Not available  
 ● = Available  
 S = Standard

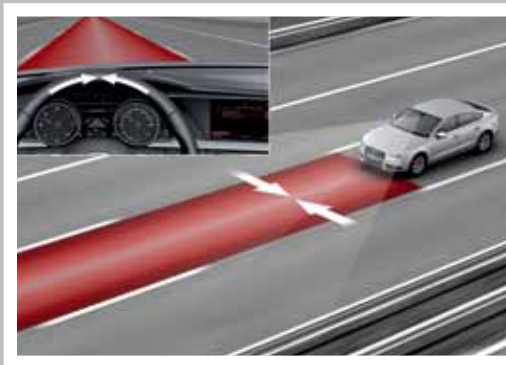
RRP – Recommended Retail Price.

VAT is calculated at 20% but this may alter to reflect any change in the applicable VAT rate.

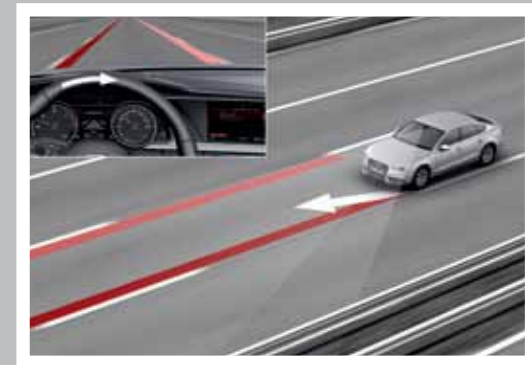
Order Code		SE	SE Technik	S line	A4/S4 Black Edition	A4 allroad	S4 quattro	Basic RRP	Total RRP inc VAT
7X4	<b>Audi parking system plus.</b> Acoustic and visual park assist system for the front and rear with MMI screen display; measurement is by ultrasonic sensors concealed in the bumpers (standard on Saloon Black Edition models). Also available as part of Technology package – Low	●	S	●	●	●	●	£270.83	£325.00
7X8	<b>Audi parking system advanced.</b> Aids parking by acoustically and visually indicating distances to obstacles with guiding lines. Measured by sensors and reversing camera. Only available in combination with a technology package. Not available on Saloon TDIe models	●	●	●	●	●	●	£325.00	£390.00
UH2	<b>Audi hill-hold assist.</b> Uses either the ESP system or electromechanical parking brake to hold the vehicle stationary	●	●	●	●	●	●	£54.17	£65.00
7Y4	<b>Audi active lane assist.</b> Helps the driver to stay in lane with gentle steering impulses for greater safety and convenience, particularly on motorways and country roads. The system informs the driver if the car is drifting out of its lane unintentionally above approximately 37mph. The driver has the choice of two system settings in the MMI: – <b>Early steering intervention</b> – continuously helps the driver to stay in lane with steering impulses that centre the vehicle in its lane – <b>Late steering intervention</b> – alerts the driver that the vehicle is possibly crossing the lane markings at the same time as providing a corrective steering prompt An additional warning in the form of the vibrating steering wheel is issued when lane markings are crossed, if specified by driver	●	●	●	●	●	●	£383.33	£460.00
7Y1	<b>Audi side assist.</b> Aids the driver when changing lane. Audi side assist monitors the area behind your car, using radar sensors located discreetly in the rear bumper, informing the driver with a visual warning signal in the door mirror if there is a vehicle in their blind spot or approaching quickly from behind. The system is activated using a button in the driver's door. Not available on Saloon TDIe models in combination with Audi active lane assist	●	●	●	●	●	●	£383.33	£460.00
4X4	<b>Rear side airbags.</b> For the outer rear seats, incorporated into the seat backrests; supplement the side impact protection in the doors and the head airbag system	●	●	●	●	●	●	£212.50	£255.00
7K6	<b>Tyre pressure loss indicator.</b> A visual and acoustic warning when the system detects a potential loss of tyre pressure	●	●	●	●	●	●	£62.50	£75.00



Audi side assist



Audi active lane assist (setting 1: early steering intervention)



Audi active lane assist (setting 2: late steering intervention)

# Interior equipment

Specify every detail of your car's interior with this range of exclusive options.

Order Code		SE	SE Technik	S line	A4/S4 Black Edition	A4 allroad	S4 quattro	Basic RRP	Total RRP inc VAT
4F2	<b>Advanced key.</b> Access and authorisation system which automatically exchanges data between key and vehicle, allowing the driver to keep the key in their pocket or bag at all times. To unlock and open, simply lift the exterior door handle. To lock, press the button on the handle. Pressing the Start-Stop button integrated in the centre console starts and stops the engine. Not available on Saloon TDIe models	●	●	●	●	●	●	£420.83	£505.00
8T4	<b>Adaptive cruise control with braking guard.</b> Intelligent automatic speed and distance control system. Works at speeds from 19 – 124mph, using radar sensors to measure and maintain required distance to vehicle ahead by braking and accelerating. Four programs (distance 1 to distance 4) set via steering column controls of the cruise control system. Includes Audi braking guard – a system which triggers a visual and acoustic alarm when it detects the risk of a rear end collision with the vehicle in front. At speeds below 19mph the system can initiate partial braking or full deceleration if a potential impact is detected to help prevent a collision, or if it is not possible to completely prevent a collision, the system will focus on reducing the speed at which the vehicles collide. Not available on TDIe models	●	●	●	●	●	●	£775.00	£930.00
VC1	<b>Garage door opener (Homelink®).</b> Programmable radio-operated remote control for compatible doors/gates. Control buttons integrated in the front roof module. Not available on Saloon TDIe models	●	●	●	●	●	●	£150.00	£180.00
QQ1	<b>Interior light package.</b> Includes front and rear footwell lighting, active door reflectors, illuminated vanity mirrors, rear reading lights, entrance lights and illuminated glove compartment, vents and internal door controls	●	●	●	●	●	S	£141.67	£170.00
3GN	<b>Load-area fixing kit.</b> Includes load-area rails, telescopic bar and securing belt for dividing up luggage compartment. Only available on Avant models	●	●	●	●	S	●	£129.17	£155.00
6SJ	<b>Reversible luggage compartment floor mat</b> – can be reversed to provide a rubber mat which extends to cover the entire load area as well as protect rear bumper. Only available on Avant models	●	●	●	●	S	●	£70.83	£85.00
3Y4	<b>Side window blinds – manual</b>	●	●	●	●	●	●	£83.33	£100.00
3Y2	<b>Rear window blind – electric</b> (Saloon only). Not available on TDIe models in combination with sidewindow blinds	●	●	●	●	●	●	£200.00	£240.00
QE1	<b>Storage package.</b> Comprising storage nets on front seat back-rests, storage compartment under the front seats (if memory function is fitted, only under the front passenger seat), drinks holder in the rear centre armrest and a lockable glove compartment	●	●	●	●	S	●	£83.33	£100.00
6NQ	<b>Black cloth headlining</b>	●	●	S	S	●	S	£170.83	£205.00
7HB	<b>Leather armrests front and rear.</b> Included with Fine Nappa leather upholstery options. (cannot be combined with cloth upholstery). Not available on Saloon TDIe models	●	●	●	●	●	●	£166.67	£200.00
3X2	<b>Through-load facility.</b> Includes removable ski bag for transporting long objects. Not available on Saloon TDIe models	●	●	●	●	●	●	£137.50	£165.00
YSR S3G	<b>Audi exclusive floor mats with leather piping.**</b> Includes 4 floor mats for front and rear (cannot be combined with option YSQ/S3G – Audi exclusive carpets)	●	●	●	●	●	●	£254.17	£305.00
YRB S3G	<b>Audi exclusive – controls package.**</b> Includes leather-covered steering wheel and gear-shift gaiter	●	●	●	●	●	●	£512.50	£615.00
YSQ S3G	<b>Audi exclusive carpets.**</b> Includes 4 Audi exclusive floor mats with leather piping	●	●	●	●	●	●	£725.00	£870.00

Options are subject to availability and may extend delivery.

– = Not available  
● = Available  
S = Standard

\*HomeLink® is a registered trademark of Johnson Controls. For information on compatibility, visit [www.homelink.com](http://www.homelink.com).

\*\*The leather, stitching and piping (where applicable) can be selected from any of the Audi exclusive colours shown on page 40. The carpet colour can also be selected from any of the Audi exclusive colours shown on page 40.

RRP – Recommended Retail Price.

VAT is calculated at 20% but this may alter to reflect any change in the applicable VAT rate.

# Steering wheels

Our steering wheels are available in a range of textures and designs and can give you control over everything from your Satellite Navigation system to the S tronic transmission.

Options are subject to availability and may extend delivery.

- = Not available  
 ● = Available  
 S = Standard

\*The leather and stitching (where applicable) can be selected from any of the Audi exclusive colours shown on page 40.

\*\*Standard on SE and SE Technik models.

RRP - Recommended Retail Price.

VAT is calculated at 20% but this may alter to reflect any change in the applicable VAT rate.

Order Code		SE	SE Technik	S line	A4/S4 Black Edition	A4 allroad	S4 quattro	Basic RRP	Total RRP inc VAT
<b>1XW</b>	<b>3-spoke multi-function steering wheel. Manual models only</b>	●	●	S	-	●	-	£83.33	£100.00
<b>1XX</b>	<b>3-spoke multi-function steering wheel with gear-shift paddles. Automatic models only</b>	●	●	S	-	●	S	£204.17	£245.00
<b>2PF 2PK</b>	<b>3-spoke multi-function flat-bottomed steering wheel with gear-shift paddles on automatic models</b>	-	-	●	S	-	●	£91.67	£110.00
<b>YRH S3G</b>	<b>Audi exclusive leather-covered steering wheel.* Not in combination with Audi exclusive controls package</b>	●	●	●	●	●	●	£304.17	£365.00
<b>YRI S3G</b>	<b>Audi exclusive steering wheel in wood and leather.* Wood and leather can be chosen from the Audi exclusive inlays and leather colours respectively. Only in combination with matching inlays</b>	●	●	●	●	●	●	£512.50	£615.00



4-spoke multi-function steering wheel\*\*



3-spoke multi-function steering wheel



3-spoke multi-function flat-bottomed steering wheel

# Exterior equipment

Make sure your car looks exactly as you want it to by selecting some of our striking options.

Options are subject to availability and may extend delivery.

- = Not available  
 • = Available  
 S = Standard

RRP - Recommended Retail Price.

VAT is calculated at 20% but this may alter to reflect any change in the applicable VAT rate.

Order Code		SE	SE Technik	S line	A4/S4 Black Edition	A4 allroad	S4 quattro	Basic RRP	Total RRP inc VAT
<b>8N7</b>	<b>High-beam assist.</b> Variable headlight range control featuring a camera on the interior mirror which registers sources of light from other road users. The range and width of the headlight beam are continuously varied between dipped and main beam to suit ambient conditions, ensuring that the headlights provide good visibility without dazzling other road users	•	•	•	•	•	•	£91.67	£110.00
<b>PX1 8Q5</b>	<b>Adaptive headlights with turning light</b> - swivelling headlights for improved illumination of a winding road. Includes a turning light which is activated at speeds below 19mph and with the dipped beam switched on for better illumination of tighter corners. Includes <b>Xenon Plus headlights</b> with LED daytime-running lights and headlight washers on SE and SE Technik and allroad quattro models. Not available on Saloon TDiE models	•	•	-	-	•	-	£941.67	£1,130.00
<b>PX1</b>	<b>Xenon Plus headlights</b> with LED daytime-running lights and headlight washers. Only available on TDiE models	-	-	•	•	-	•	£275.00	£330.00
<b>PX1</b>	<b>Xenon Plus headlights</b> with LED daytime-running lights and headlight washers. Only available on TDiE models	•	•	-	-	-	-	£666.67	£800.00
<b>4ZM</b>	<b>Black styling package.</b> Front radiator grille-frame in highly polished black, with radiator grille, number plate holder and window surround in matt black. Avant models include black roof rails. S line and S4 models include bar in side radiator grilles in highly polished black	•	•	•	S	-	•	£304.17	£365.00
<b>2Z7</b>	<b>Deletion of engine technology designation at rear</b>	•	•	•	•	•	-	No charge	No charge
<b>2Z0</b>	<b>Deletion of model and engine technology designation at rear</b>	•	•	•	•	•	•	No charge	No charge
<b>VJ1</b>	<b>Full paint finish.</b> Bumpers and extended wheel arches painted in body colour with matt finish. Available in combination with Ice silver, Teak brown, Phantom black or Audi exclusive exterior colours	-	-	-	-	•	-	£958.33	£1,150.00



Xenon Plus headlights with LED daytime-running lights



LED rear lights (part of Xenon Plus headlights)

# Exterior equipment

Order Code		SE	SE Technik	S line	A4/S4 Black Edition	A4 allroad	S4 quattro	Basic RRP	Total RRP inc VAT
<b>4E9</b>	<b>Power-operated tailgate.</b> Opened by pressing button on the car key, button in the driver's door panel or soft-touch button in the handle recess on the luggage compartment lid. Closed by pressing a button on the inside of the luggage compartment lid. The opening of the luggage compartment lid can be programmed to desired height. Only available on Avant models	●	●	●	●	●	●	£183.33	£220.00
<b>VW1</b>	<b>Privacy glass.</b> Dark tinted glass from B pillar backwards. Only available on Avant models	●	●	●	S	●	●	£275.00	£330.00
<b>1D2</b>	<b>Towing equipment.</b> Removable. Includes single European 13-pin electric socket and may require a 13- to 7-pin adaptor.* Please consult your Audi Centre for details. Not available on TDIE models	●	●	●	●	●	●	£554.17	£665.00
<b>6XK</b>	<b>Door mirrors – electrically folding and auto dimming.</b> Includes curb view function which lowers the passenger side mirror for increased visibility whilst reversing	●	●	●	●	●	●	£241.67	£290.00
<b>3FE</b>	<b>Electric slide-and-tilt sunroof.</b> Includes position pre-selection, tinted glass insert, variable sunshield and convenience closing via the car key. Only available on Saloon models. Not available on TDIE models	●	●	●	●	–	●	£725.00	£870.00
<b>3FU</b>	<b>Open Sky panoramic sunroof.</b> Comprising glass roof with electric slide-and-tilt control and sunshade at front and rear. Convenience closing via the car key. Only available on Avant models	●	●	●	●	●	●	£937.50	£1,125.00

Options are subject to availability and may extend delivery.

\*Additional wiring is required for auxiliary equipment.

– = Not available

● = Available

S = Standard

RRP – Recommended Retail Price.

VAT is calculated at 20% but this may alter to reflect any change in the applicable VAT rate.



Open Sky panoramic sunroof



Electric slide-and-tilt sunroof

# Audi Complete

Audi Complete is simply a way to look after the servicing and maintenance costs for your Audi in a single package. You pay a one-off or monthly fee and we'll cover all your servicing, maintenance and tyres for the next three years, including your first MOT. It means you only have to pay for fuel, insurance and your Road Fund Licence. So you can be reassured that your car will be maintained by trained Audi Technicians, using genuine Audi parts.

\*Retail customers only. Pricing based on 3 years/30,000 miles (whichever occurs sooner). All pricing is a 'starting from price for the Audi A4 model range and is therefore subject to change and mileage/model dependent.

## Warranty

Options are subject to availability and may extend delivery.

– = Not available  
• = Available  
S = Standard

\*\*Only available prior to registration of your A4. Please speak to your Audi Centre for full details.

RRP – Recommended Retail Price.

VAT is calculated at 20% but this may alter to reflect any change in the applicable VAT rate.

Order Code		A4 Saloon/Avant	A4 allroad	S4 quattro	Basic RRP	Total RRP inc VAT	
AC1	<b>Audi Complete – Service and Maintenance.</b> Comprehensive care for your Audi covering all your servicing and maintenance for 3 years, as well as your first MOT. Visit your local Audi Centre for further details or <a href="http://audi.co.uk/audicomplete">audi.co.uk/audicomplete</a> for full details including terms and conditions	Monthly Direct Debit	•	•	–	£17.50	£21.00*
			–	–	•	£31.67	£38.00*
AC2	<b>Audi Complete – Service, Maintenance and Tyres.</b> Comprehensive care for your Audi covering all your servicing, maintenance and tyres for 3 years, as well as your first MOT. Visit your local Audi Centre for further details or <a href="http://audi.co.uk/audicomplete">audi.co.uk/audicomplete</a> for full details including terms and conditions	Monthly Direct Debit	•	•	–	£32.50	£39.00*
			–	–	•	£62.50	£75.00*

Order Code		A4 Saloon/Avant	A4 allroad	S4 quattro	Basic RRP	Total RRP inc VAT
-	<b>Audi Warranty</b> , covering you for unlimited mileage in the first two years of ownership, and up to 60,000 miles in the third year. Transferable between owners**	S	S	S	No charge	No charge
EA6 006	<b>Audi Warranty</b> , covering you for up to 4 years or 75,000 miles, whichever comes soonest. Cover includes a two-year unlimited mileage warranty, and up to 75,000 miles in the third and fourth years. Transferable between owners**	•	•	•	£320.83	£385.00
EA9 009	<b>Audi Warranty</b> , covering you for up to 5 years or 90,000 miles, whichever comes soonest. Cover includes a two-year unlimited mileage warranty, and up to 90,000 miles in the third, fourth and fifth years. Transferable between owners**	•	•	•	£754.17	£905.00



# Merchandise

From the enthusiasts' motorsport collection to the sophisticated Audi collection, there's a wide variety of adults' and children's clothing, lifestyle accessories and collectables, all of which bear the Audi name.

Please speak to a member of our team at your local Audi Centre to see the full Audi collection and to place an order. A selection of Audi merchandise is also available to buy from [audi.co.uk/merchandise](http://audi.co.uk/merchandise).



Audi kids



Bags and leather goods



Clothing



Motorsports



Sport and travel



Model cars

# Accessories

Choosing an Audi isn't just a matter of deciding on the model you want; it's about creating a car that suits your needs perfectly. And that's why we've developed a whole range of accessories to enhance your A4, enabling you to customise it down to the last detail. Like your Audi, all these accessories are developed to the highest possible standards. They're all available exclusively from Audi.

To find out more, just visit [audi.co.uk/accessories](http://audi.co.uk/accessories) or contact your local Audi Centre.

## Warranty

All the accessories available on the A4 are covered by a three-year warranty\* if they are ordered and included in the purchase price of the car at date of delivery. Any accessories ordered and installed after delivery include a two-year warranty.\*



Sport and design



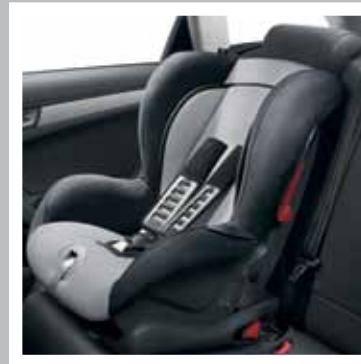
Transport and touring



Entertainment and communication



Comfort and protection



Family



Safety and security

\*Excluding Road Angel products. Audi Accessories warranty terms and conditions can be found at [audi.co.uk](http://audi.co.uk)

# A4 Saloon Petrol technical data

Engine	1.8 TFSI	1.8 TFSI	1.8 TFSI	2.0 TFSI	2.0 TFSI quattro	2.0 TFSI quattro	S4 quattro
Transmission	6-speed manual	6-speed manual	multitronic	multitronic	6-speed manual	7-speed S tronic	7-speed S tronic
Cylinder	4-cylinder	4-cylinder	4-cylinder	4-cylinder	4-cylinder	4-cylinder	6-cylinder
Displacement, cubic cm (valves per cylinder)	1798	1798	1798	1984	1984	1984	2995
Max. power <sup>1</sup> , PS at rpm	120/3650-6200	170/3800-6200	170/3800-6200	211/4300-6000	211/4300-6000	211/4300-6000	333/5500-6500
Max. torque, Nm at rpm	230/1500-3650	320/1400-3700	320/1400-3700	350/1500-4200	350/1500-4200	350/1500-4200	440/2900-5300
0-62mph acceleration, seconds	10.5	8.1	8.3	6.9	6.5	6.5	5.0
Top speed, mph	129	143	140	149	153	152	155*
CO <sub>2</sub> emissions <sup>2</sup> , g/km	151	134	134	140	159	159	190
Benefit in kind (BIK)%	21%	17%	17%	19%	22%	22%	29%
Fuel consumption <sup>2</sup> , mpg (l/100km) Urban	32.8 (8.6)	38.2 (7.4)	40.9 (6.9)	36.7 (7.7)	31.7 (8.9)	32.1 (8.8)	26.4 (10.7)
Fuel consumption <sup>2</sup> , mpg (l/100km) Extra Urban	44.8 (6.3)	58.9 (4.8)	55.4 (5.1)	56.5 (5.0)	50.4 (5.6)	48.7 (5.8)	42.8 (6.6)
Fuel consumption <sup>2</sup> , mpg (l/100km) Combined	43.5 (6.5)	49.6 (5.7)	48.7 (5.8)	47.1 (6.0)	41.5 (6.8)	40.4 (7.0)	34.9 (8.1)
ABI insurance group	19	26	26	30	32	32	36
Unladen weight <sup>3</sup> , kg	1430	1430	1470	1485	1535	1570	1705
Gross weight limit, kg	1980	1980	2020	2035	2085	2120	2255
Roof load limit/nose weight, kg	90/80	90/80	90/80	90/80	90/80	90/80	90/80
Max trailer load unbraked <sup>4</sup> , kg	750	750	750	750	750	750	750
Max trailer load with 12% gradient <sup>4</sup> , kg	1300	1500	1500	1500	1700	1700	1900
Max trailer load with 8% gradient <sup>4</sup> , kg	1500	1700	1700	1700	1900	1900	2100
Luggage compartment capacity, litres, seats folded up/down	480/962	480/962	480/962	480/962	480/962	480/962	480/962
Fuel tank capacity approx, litres	63	63	63	63	61	61	61

\*Electronically limited.

<sup>1</sup>The given value was obtained in accordance with the specified measurement procedure (the respective current version of the Directive 80/1269/EEC).

<sup>2</sup>Fuel consumption and CO<sub>2</sub> emissions figures are obtained under standardised test conditions (Directive 93/116/EEC) using a representative model. This allows direct comparison between different models from different manufacturers, but may not represent the actual fuel consumption achieved in 'real world' driving conditions. More information is available at [www.vca.gov.uk](http://www.vca.gov.uk).

<sup>3</sup>Vehicle's unladen weight without driver (calculated in accordance with the current version of Directive 80/1268/EEC). The fitting of additional equipment may increase the vehicle's unladen weight and drag coefficient, whereupon the potential carrying capacity and top speed will be correspondingly reduced.

<sup>4</sup>The engine's power output always goes down with increasing altitude. At 1,000m above sea level, and for every additional 1,000m, deduct 10% from the weight of the outfit (trailer load limit + gross weight of the towing vehicle).

# A4 Saloon Diesel technical data

Engine	2.0 TDIe	2.0 TDI	2.0 TDI	2.0 TDIe	2.0 TDI
Transmission	6-speed manual	6-speed manual	multitronic	6-speed manual	6-speed manual
Cylinder	4-cylinder	4-cylinder	4-cylinder	4-cylinder	4-cylinder
Displacement, cubic cm (valves per cylinder)	1968	1968	1968	1968	1968
Max. power <sup>1</sup> , PS at rpm	136/4200	143/4200	143/4200	163/4200	177/4200
Max. torque, Nm at rpm	320/1750-2500	320/1750-2500	320/1750-2500	380/1750-2500	380/1750-2500
0-62mph acceleration, seconds	9.3	9.2	9.1	8.4	8.2
Top speed, mph	134	134	130	140	143
CO <sub>2</sub> emissions <sup>2</sup> , g/km	112	119	127	115	120
Benefit in kind (BIK)%	16%	17%	19%	17%	18%
Fuel consumption <sup>2</sup> , mpg (l/100km) Urban	54.3 (5.2)	52.3 (5.4)	49.6 (5.7)	52.3 (5.4)	51.4 (5.5)
Fuel consumption <sup>2</sup> , mpg (l/100km) Extra Urban	76.3 (3.7)	70.6 (4.0)	64.2 (4.4)	74.3 (3.8)	68.9 (4.1)
Fuel consumption <sup>2</sup> , mpg (l/100km) Combined	65.7 (4.3)	62.8 (4.5)	58.9 (4.8)	64.2 (4.4)	61.4 (4.6)
ABI insurance group	23	23	23	26	28
Unladen weight <sup>3</sup> , kg	1475	1480	1515	1475	1480
Gross weight limit, kg	2025	2030	2065	2025	2030
Roof load limit/nose weight, kg	90/80	90/80	90/80	90/80	90/80
Max trailer load unbraked <sup>4</sup> , kg	750	750	750	750	750
Max trailer load with 12% gradient <sup>4</sup> , kg	1300	1600	1700	1300	1600
Max trailer load with 8% gradient <sup>4</sup> , kg	1500	1800	1900	1500	1800
Luggage compartment capacity, litres, seats folded up/down	480/962	480/962	480/962	480/962	480/962
Fuel tank capacity approx, litres	63	63	63	63	63

<sup>1</sup>The given value was obtained in accordance with the specified measurement procedure (the respective current version of the Directive 80/1269/EEC).

<sup>2</sup>Fuel consumption and CO<sub>2</sub> emissions figures are obtained under standardised test conditions (Directive 93/116/EEC) using a representative model. This allows direct comparison between different models from different manufacturers, but may not represent the actual fuel consumption achieved in 'real world' driving conditions. More information is available at [www.vca.gov.uk](http://www.vca.gov.uk).

<sup>3</sup>Vehicle's unladen weight without driver (calculated in accordance with the current version of Directive 80/1268/EEC). The fitting of additional equipment may increase the vehicle's unladen weight and drag coefficient, whereupon the potential carrying capacity and top speed will be correspondingly reduced.

<sup>4</sup>The engine's power output always goes down with increasing altitude. At 1,000m above sea level, and for every additional 1,000m, deduct 10% from the weight of the outfit (trailer load limit + gross weight of the towing vehicle).

# A4 Saloon Diesel technical data

Engine	2.0 TDI	2.0 TDI quattro	3.0 TDI	3.0 TDI quattro	3.0 TDI quattro
Transmission	multitronic	6-speed manual	multitronic	6-speed manual	7-speed S tronic
Cylinder	4-cylinder	4-cylinder	6-cylinder	6-cylinder	6-cylinder
Displacement, cubic cm (valves per cylinder)	1968	1968	2967	2967	2967
Max. power <sup>1</sup> , PS at rpm	177/4200	177/4200	204/3500-4500	245/4000-4500	245/4000-4500
Max. torque, Nm at rpm	380/1750-2500	380/1750-2500	400/1250-3500	500/1400-3250	500/1400-3250
0-62mph acceleration, seconds	7.9	7.8	7.1	6.1	5.9
Top speed, mph	138	142	146	155	155*
CO <sub>2</sub> emissions <sup>2</sup> , g/km	127	134	129	152	149
Benefit in kind (BIK)%	19%	20%	19%	24%	23%
Fuel consumption <sup>2</sup> , mpg (l/100km) Urban	49.6 (5.7)	46.3 (6.1)	51.4 (5.5)	39.2 (7.2)	41.5 (6.8)
Fuel consumption <sup>2</sup> , mpg (l/100km) Extra Urban	64.2 (4.4)	62.8 (4.5)	61.4 (4.6)	57.6 (4.9)	55.4 (5.1)
Fuel consumption <sup>2</sup> , mpg (l/100km) Combined	58.9 (4.8)	55.4 (5.1)	57.6 (4.9)	48.7 (5.8)	49.6 (5.7)
ABI insurance group	28	28	29	34	34
Unladen weight <sup>3</sup> , kg	1520	1565	1590	1640	1680
Gross weight limit, kg	2070	2115	2140	2190	2230
Roof load limit/nose weight, kg	90/80	90/80	90/80	90/80	90/80
Max trailer load unbraked <sup>4</sup> , kg	750	750	750	750	750
Max trailer load with 12% gradient <sup>4</sup> , kg	1700	1600	1700	1900	1900
Max trailer load with 8% gradient <sup>4</sup> , kg	1900	1800	1900	2100	2100
Luggage compartment capacity, litres, seats folded up/down	480/962	480/962	480/962	480/962	480/962
Fuel tank capacity approx, litres	63	61	63	61	61

\*Electronically limited.

<sup>1</sup>The given value was obtained in accordance with the specified measurement procedure (the respective current version of the Directive 80/1269/EEC).

<sup>2</sup>Fuel consumption and CO<sub>2</sub> emissions figures are obtained under standardised test conditions (Directive 93/116/EEC) using a representative model. This allows direct comparison between different models from different manufacturers, but may not represent the actual fuel consumption achieved in 'real world' driving conditions. More information is available at [www.vca.gov.uk](http://www.vca.gov.uk).

<sup>3</sup>Vehicle's unladen weight without driver (calculated in accordance with the current version of Directive 80/1268/EEC). The fitting of additional equipment may increase the vehicle's unladen weight and drag coefficient, whereupon the potential carrying capacity and top speed will be correspondingly reduced.

<sup>4</sup>The engine's power output always goes down with increasing altitude. At 1,000m above sea level, and for every additional 1,000m, deduct 10% from the weight of the outfit (trailer load limit + gross weight of the towing vehicle).



# A4 Avant Petrol technical data

Engine	1.8 TFSI	1.8 TFSI	1.8 TFSI	2.0 TFSI	2.0 TFSI quattro	2.0 TFSI quattro	S4 quattro
Transmission	6-speed manual	6-speed manual	multitronic	multitronic	6-speed manual	7-speed S tronic	7-speed S tronic
Cylinder	4-cylinder	4-cylinder	4-cylinder	4-cylinder	4-cylinder	4-cylinder	6-cylinder
Displacement, cubic cm (valves per cylinder)	1798	1798	1798	1984	1984	1984	2995
Max. power <sup>1</sup> , PS at rpm	120/3650-6200	170/3800-6200	170/3800-6200	211/4300-6000	211/4300-6000	211/4300-6000	333/5500-6500
Max. torque, Nm at rpm	230/1500-3650	320/1400-3700	320/1400-3700	350/1500-4200	350/1500-4200	350/1500-4200	440/2900-5300
0-62mph acceleration, seconds	10.8	8.3	8.4	7.2	6.6	6.6	5.1
Top speed, mph	124	138	134	144	148	147	155*
CO <sub>2</sub> emissions <sup>2</sup> , g/km	154	141	139	144	162	163	197
Benefit in kind (BIK)%	21%	19%	18%	19%	23%	23%	30%
Fuel consumption <sup>2</sup> , mpg (l/100km) Urban	32.8 (8.6)	36.7 (7.7)	40.4 (7.0)	36.7 (7.7)	31.4 (9.0)	32.5 (8.7)	25.2 (11.2)
Fuel consumption <sup>2</sup> , mpg (l/100km) Extra Urban	51.4 (5.5)	54.3 (5.2)	52.3 (5.4)	52.3 (5.4)	48.7 (5.8)	47.1 (6.0)	41.5 (6.8)
Fuel consumption <sup>2</sup> , mpg (l/100km) Combined	42.8 (6.6)	46.3 (6.1)	47.1 (6.0)	45.6 (6.2)	40.4 (7.0)	39.8 (7.1)	33.6 (8.4)
ABI insurance group	19	26	26	30	32	32	36
Unladen weight <sup>3</sup> , kg	1490	1490	1530	1540	1580	1610	1750
Gross weight limit, kg	2060	2060	2100	2110	2150	2180	2320
Roof load limit/nose weight, kg	90/80	90/80	90/80	90/80	90/80	90/80	90/80
Max trailer load unbraked <sup>4</sup> , kg	750	750	750	750	750	750	750
Max trailer load with 12% gradient <sup>4</sup> , kg	1300	1500	1500	1500	1700	1700	1900
Max trailer load with 8% gradient <sup>4</sup> , kg	1500	1700	1700	1700	1900	1900	2100
Luggage compartment capacity, litres, seats folded up/down	490/1430	490/1430	490/1430	490/1430	490/1430	490/1430	490/1430
Fuel tank capacity approx, litres	63	63	63	63	61	61	61

\*Electronically limited.

<sup>1</sup>The given value was obtained in accordance with the specified measurement procedure (the respective current version of the Directive 80/1269/EEC).

<sup>2</sup>Fuel consumption and CO<sub>2</sub> emissions figures are obtained under standardised test conditions (Directive 93/116/EEC) using a representative model. This allows direct comparison between different models from different manufacturers, but may not represent the actual fuel consumption achieved in 'real world' driving conditions. More information is available at [www.vca.gov.uk](http://www.vca.gov.uk).

<sup>3</sup>Vehicle's unladen weight without driver (calculated in accordance with the current version of Directive 80/1268/EEC). The fitting of additional equipment may increase the vehicle's unladen weight and drag coefficient, whereupon the potential carrying capacity and top speed will be correspondingly reduced.

<sup>4</sup>The engine's power output always goes down with increasing altitude. At 1,000m above sea level, and for every additional 1,000m, deduct 10% from the weight of the outfit (trailer load limit + gross weight of the towing vehicle).

# A4 Avant Diesel technical data

Engine	2.0 TDIe	2.0 TDI	2.0 TDI	2.0 TDIe	2.0 TDI
Transmission	6-speed manual	6-speed manual	multitronic	6-speed manual	6-speed manual
Cylinder	4-cylinder	4-cylinder	4-cylinder	4-cylinder	4-cylinder
Displacement, cubic cm (valves per cylinder)	1968	1968	1968	1968	1968
Max. power <sup>1</sup> , PS at rpm	136/4200	143/4200	143/4200	163/4200	177/4200
Max. torque, Nm at rpm	320 / 1750-2500	320/1750-2500	320/1750-2500	380/1750-2500	380/1750-2500
0-62mph acceleration, seconds	9.6	9.5	9.5	8.7	8.4
Top speed, mph	129	129	124	134	138
CO <sub>2</sub> emissions <sup>2</sup> , g/km	116	124	129	120	126
Benefit in kind (BIK)%	17%	18%	19%	18%	19%
Fuel consumption <sup>2</sup> , mpg (l/100km) Urban	53.3 (5.3)	50.4 (5.6)	50.4 (5.6)	52.3 (5.4)	49.6 (5.7)
Fuel consumption <sup>2</sup> , mpg (l/100km) Extra Urban	72.4 (3.9)	67.3 (4.2)	62.8 (4.5)	70.6 (4.0)	65.7 (4.3)
Fuel consumption <sup>2</sup> , mpg (l/100km) Combined	64.2 (4.4)	60.1 (4.7)	57.6 (4.9)	62.8 (4.5)	58.9 (4.8)
ABI insurance group	23	23	23	26	28
Unladen weight <sup>3</sup> , kg	1535	1535	1575	1535	1535
Gross weight limit, kg	2105	2105	2145	2105	2105
Roof load limit/nose weight, kg	90/80	90/80	90/80	90/80	90/80
Max trailer load unbraked <sup>4</sup> , kg	750	750	750	750	750
Max trailer load with 12% gradient <sup>4</sup> , kg	1300	1600	1700	1300	1600
Max trailer load with 8% gradient <sup>4</sup> , kg	1500	1800	1900	1500	1800
Luggage compartment capacity, litres, seats folded up/down	490/1430	490/1430	490/1430	490/1430	490/1430
Fuel tank capacity approx, litres	63	63	63	63	63

<sup>1</sup>The given value was obtained in accordance with the specified measurement procedure (the respective current version of the Directive 80/1269/EEC).

<sup>2</sup>Fuel consumption and CO<sub>2</sub> emissions figures are obtained under standardised test conditions (Directive 93/116/EEC) using a representative model. This allows direct comparison between different models from different manufacturers, but may not represent the actual fuel consumption achieved in 'real world' driving conditions. More information is available at [www.vca.gov.uk](http://www.vca.gov.uk).

<sup>3</sup>Vehicle's unladen weight without driver (calculated in accordance with the current version of Directive 80/1268/EEC). The fitting of additional equipment may increase the vehicle's unladen weight and drag coefficient, whereupon the potential carrying capacity and top speed will be correspondingly reduced.

<sup>4</sup>The engine's power output always goes down with increasing altitude. At 1,000m above sea level, and for every additional 1,000m, deduct 10% from the weight of the outfit (trailer load limit + gross weight of the towing vehicle).



# A4 Avant Diesel technical data

Engine	2.0 TDI	2.0 TDI quattro	3.0 TDI	3.0 TDI quattro	3.0 TDI quattro
Transmission	multitronic	6-speed manual	multitronic	6-speed manual	7-speed S tronic
Cylinder	4-cylinder	4-cylinder	6-cylinder	6-cylinder	6-cylinder
Displacement, cubic cm (valves per cylinder)	1968	1968	2967	2967	2967
Max. power <sup>1</sup> , PS at rpm	177/4200	177/4200	204/3500-4500	245/4000-4500	245/4000-4500
Max. torque, Nm at rpm	380/1750-2500	380/1750-2500	400/1250-3500	500/1400-3250	500/1400-3250
0-62mph acceleration, seconds	8.1	7.9	7.3	6.3	6.1
Top speed, mph	131	138	143	155	155*
CO <sub>2</sub> emissions <sup>2</sup> , g/km	129	139	135	154	154
Benefit in kind (BIK)%	19%	21%	21%	24%	24%
Fuel consumption <sup>2</sup> , mpg (l/100km) Urban	50.4 (5.6)	44.8 (6.3)	49.6 (5.7)	38.7 (7.3)	40.4 (7.0)
Fuel consumption <sup>2</sup> , mpg (l/100km) Extra Urban	62.8 (4.5)	60.1 (4.7)	58.9 (4.8)	55.4 (5.1)	54.3 (5.2)
Fuel consumption <sup>2</sup> , mpg (l/100km) Combined	57.6 (4.9)	53.3 (5.3)	55.4 (5.1)	47.9 (5.9)	47.9 (5.9)
ABI insurance group	28	28	29	34	34
Unladen weight <sup>3</sup> , kg	1575	1605	1640	1680	1725
Gross weight limit, kg	2145	2175	2210	2250	2295
Roof load limit/nose weight, kg	90/80	90/80	90/80	90/80	90/80
Max trailer load unbraked <sup>4</sup> , kg	750	750	750	750	750
Max trailer load with 12% gradient <sup>4</sup> , kg	1700	1600	1700	1900	1900
Max trailer load with 8% gradient <sup>4</sup> , kg	1900	1800	1900	2100	2100
Luggage compartment capacity, litres, seats folded up/down	490/1430	490/1430	490/1430	490/1430	490/1430
Fuel tank capacity approx, litres	63	61	63	61	61

\*Electronically limited.

<sup>1</sup>The given value was obtained in accordance with the specified measurement procedure (the respective current version of the Directive 80/1269/EEC).

<sup>2</sup>Fuel consumption and CO<sub>2</sub> emissions figures are obtained under standardised test conditions (Directive 93/116/EEC) using a representative model. This allows direct comparison between different models from different manufacturers, but may not represent the actual fuel consumption achieved in 'real world' driving conditions. More information is available at [www.vca.gov.uk](http://www.vca.gov.uk).

<sup>3</sup>Vehicle's unladen weight without driver (calculated in accordance with the current version of Directive 80/1268/EEC). The fitting of additional equipment may increase the vehicle's unladen weight and drag coefficient, whereupon the potential carrying capacity and top speed will be correspondingly reduced.

<sup>4</sup>The engine's power output always goes down with increasing altitude. At 1,000m above sea level, and for every additional 1,000m, deduct 10% from the weight of the outfit (trailer load limit + gross weight of the towing vehicle).

# A4 allroad technical data

Engine	Petrol			Diesel	
	2.0 TFSI quattro	2.0 TFSI quattro	2.0 TDI quattro	2.0 TDI quattro	3.0 TDI quattro
Transmission	6-speed manual	7-speed S tronic	6-speed manual	7-speed S tronic	7-speed S tronic
Cylinder	4-cylinder	4-cylinder	4-cylinder	4-cylinder	6-cylinder
Displacement, cubic cm (valves per cylinder)	1984	1984	1968	1968	2967
Max. power <sup>1</sup> , PS at rpm	211/4300-6000	211/4300-6000	177/4200	177/4200	245/4000-4500
Max. torque, Nm at rpm	350/1500-4200	350/1500-4200	380/1750-2500	380 / 1750-2500	500/1400-3250
0-62mph acceleration, seconds	6.8	6.8	8.2	8.1	6.2
Top speed, mph	143	143	134	130	149
CO <sub>2</sub> emissions <sup>2</sup> , g/km	169	170	159	156	161
Benefit in kind (BIK)%	24%	25%	25%	26%	26%
Fuel consumption <sup>2</sup> , mpg (l/100km) Urban	31.0 (9.1)	31.4 (9.0)	40.9 (6.9)	40.4 (7.0)	39.2 (7.2)
Fuel consumption <sup>2</sup> , mpg (l/100km) Extra Urban	46.3 (6.1)	44.8 (6.3)	53.3 (5.3)	52.3 (5.4)	51.4 (5.5)
Fuel consumption <sup>2</sup> , mpg (l/100km) Combined	39.2 (7.2)	38.7 (7.3)	48.7 (5.8)	47.1 (6.0)	45.6 (6.2)
ABI insurance group	30	30	27	27	33
Unladen weight <sup>3</sup> , kg	1610	1650	1630	1670	1750
Gross weight limit, kg	2180	2220	2200	2240	2320
Roof load limit/nose weight, kg	90/80	90/80	90/80	90/80	90/80
Max trailer load unbraked <sup>4</sup> , kg	750	750	750	750	750
Max trailer load with 12% gradient <sup>4</sup> , kg	1700	1700	1700	1900	1900
Max trailer load with 8% gradient <sup>4</sup> , kg	1900	1900	1970	2100	2100
Luggage compartment capacity, litres, seats folded up/down	490/1430	490/1430	490/1430	490/1430	490/1430
Fuel tank capacity approx, litres	61	61	61	61	61

<sup>1</sup>The given value was obtained in accordance with the specified measurement procedure (the respective current version of the Directive 80/1269/EEC).

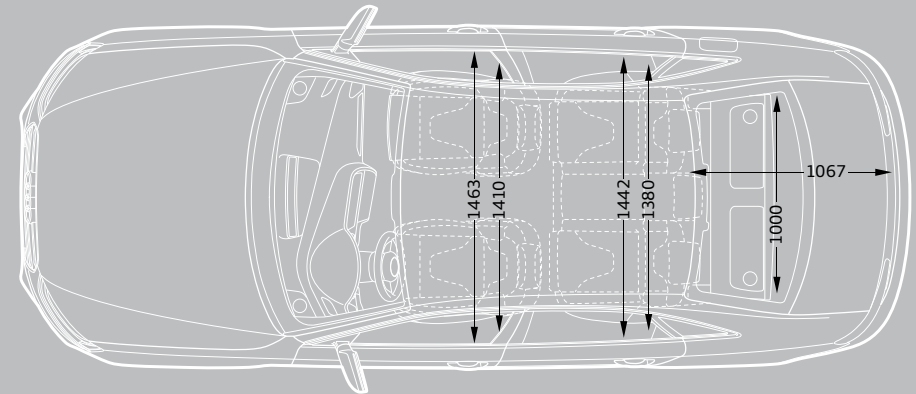
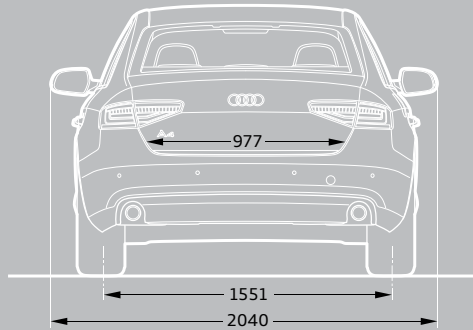
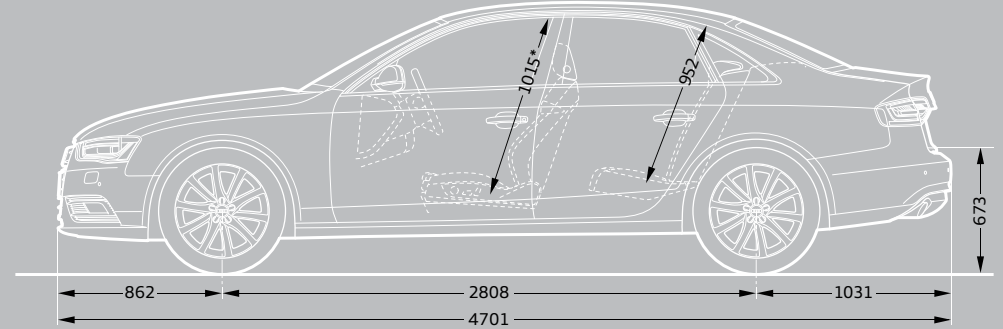
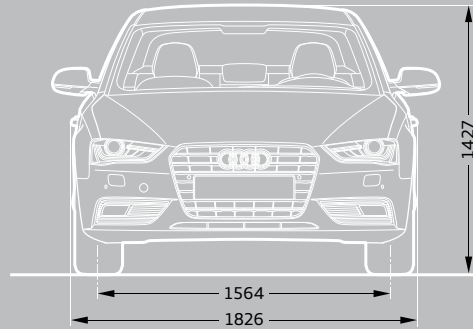
<sup>2</sup>Fuel consumption and CO<sub>2</sub> emissions figures are obtained under standardised test conditions (Directive 93/116/EEC) using a representative model. This allows direct comparison between different models from different manufacturers, but may not represent the actual fuel consumption achieved in 'real world' driving conditions. More information is available at [www.vca.gov.uk](http://www.vca.gov.uk).

<sup>3</sup>Vehicle's unladen weight without driver (calculated in accordance with the current version of Directive 80/1268/EEC). The fitting of additional equipment may increase the vehicle's unladen weight and drag coefficient, whereupon the potential carrying capacity and top speed will be correspondingly reduced.

<sup>4</sup>The engine's power output always goes down with increasing altitude. At 1,000m above sea level, and for every additional 1,000m, deduct 10% from the weight of the outfit (trailer load limit + gross weight of the towing vehicle).

# A4 Saloon dimensions

The technical drawings opposite show the exact dimensions of the A4 Saloon, so you can check everything – from whether the car will fit in your garage to whether your luggage will fit in the boot.



\*Maximum headroom.

Dimensions were measured with vehicle at unladen weight, ground clearance measured with vehicle carrying its maximum load.

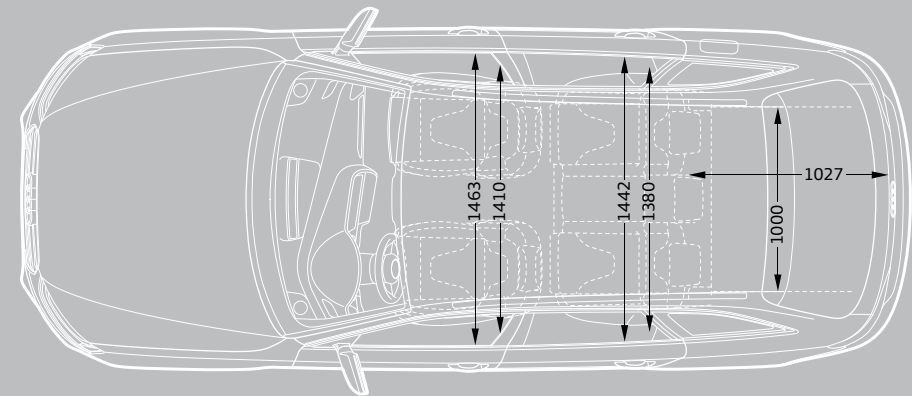
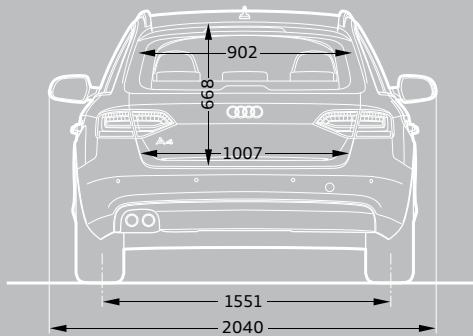
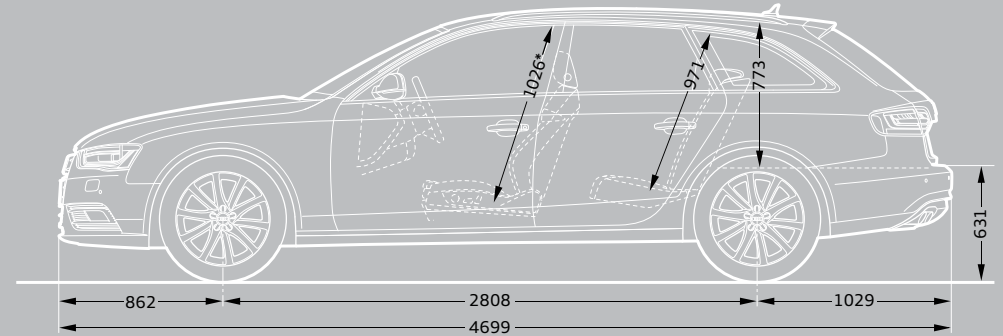
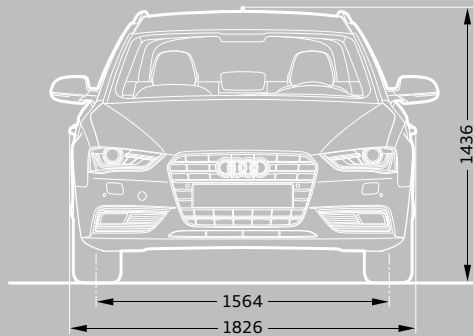
Luggage compartment volume in litres: 480/962 (measured by the VDA standard test method using 200 x 100 x 50mm blocks; second value: with rear seat folded down).

Turning circle approx 11.4m.

Dimensions in millimetres.

# A4 Avant dimensions

The technical drawings opposite show the exact dimensions of the A4 Avant, so you can check everything – from whether the car will fit in your garage to whether your luggage will fit in the boot.



\*Maximum headroom.

Dimensions were measured with vehicle at unladen weight, ground clearance measured with vehicle carrying its maximum load.

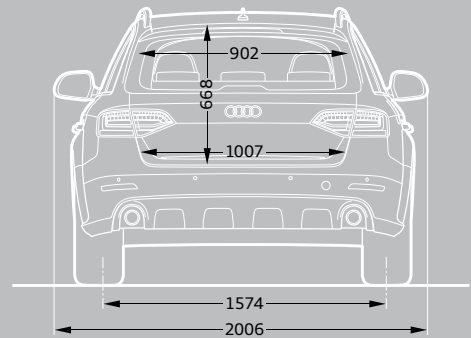
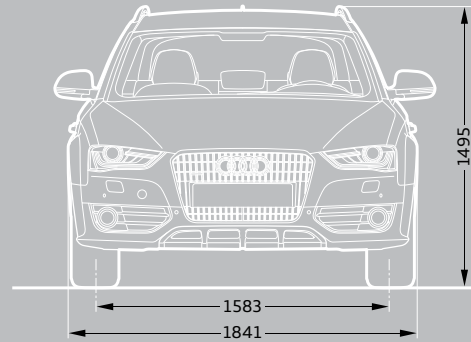
Luggage compartment volume in litres: 490/1430 (measured by the VDA standard test method using 200 x 100 x 50mm blocks; second value: with rear seat folded down).

Turning circle approx 11.4m.

Dimensions in millimetres.

# A4 allroad dimensions

The technical drawings opposite show the exact dimensions of the A4 allroad, so you can check everything – from whether the car will fit in your garage to whether your luggage will fit in the boot.



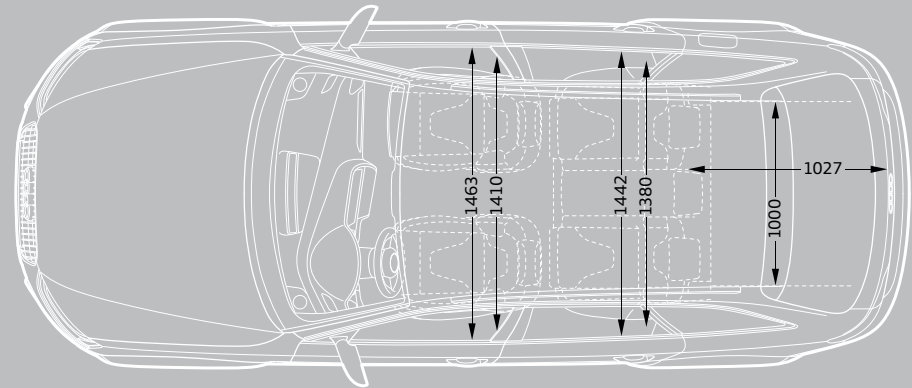
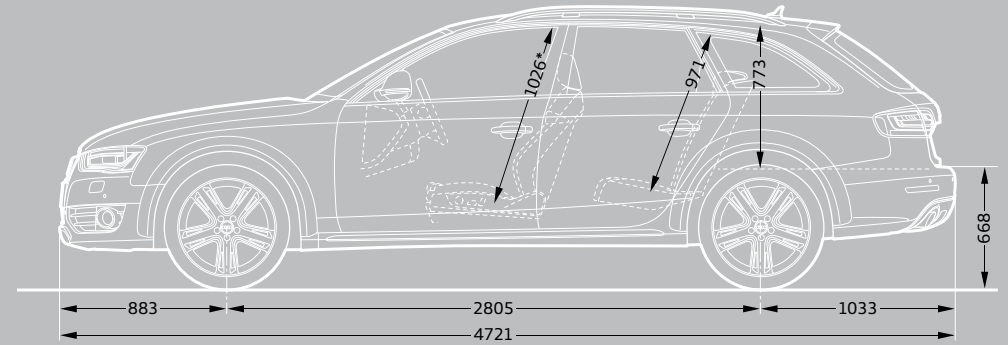
\*Maximum headroom.

Dimensions were measured with vehicle at unladen weight, ground clearance measured with vehicle carrying its maximum load.

Luggage compartment volume in litres: 490/1430 (measured by the VDA standard test method using 200 x 100 x 50mm blocks; second value: with rear seat folded down).

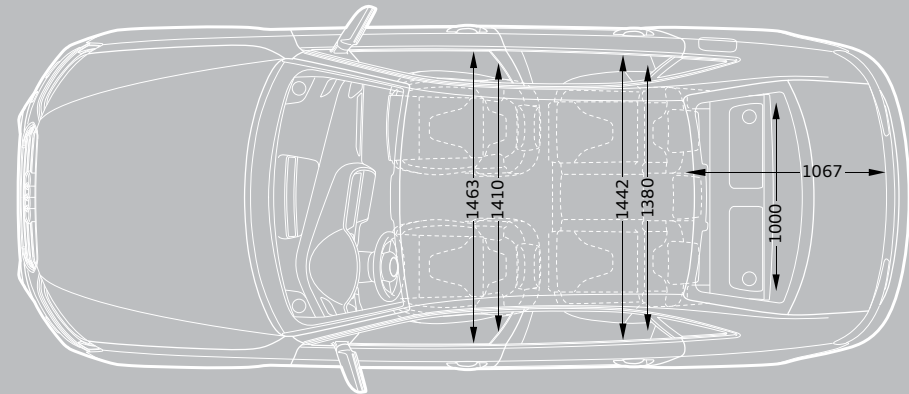
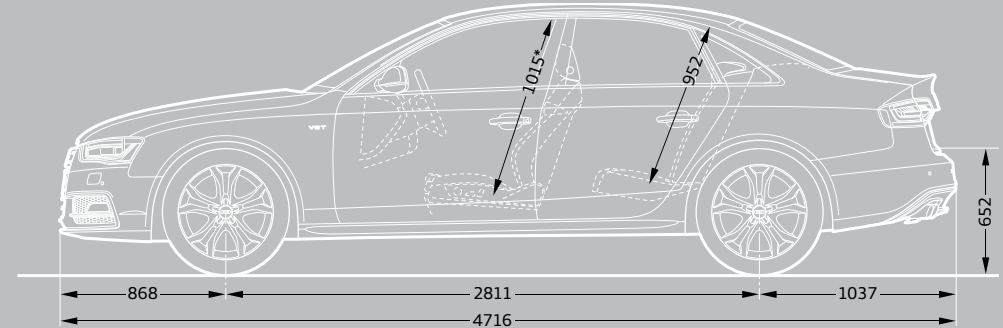
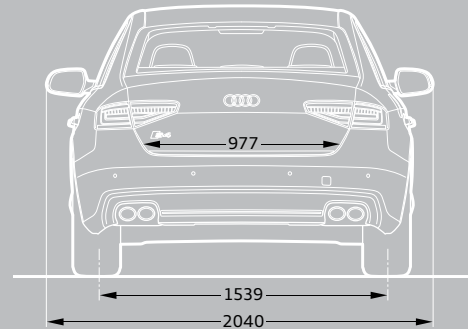
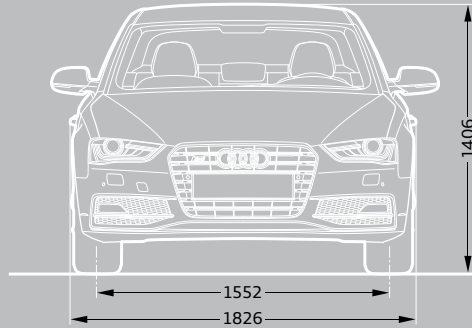
Turning circle approx 11.4m.

Dimensions in millimetres.



# S4 quattro Saloon dimensions

The technical drawings opposite show the exact dimensions of the S4 Saloon, so you can check everything – from whether the car will fit in your garage to whether your luggage will fit in the boot.



\*Maximum headroom.

Dimensions were measured with vehicle at unladen weight, ground clearance measured with vehicle carrying its maximum load.

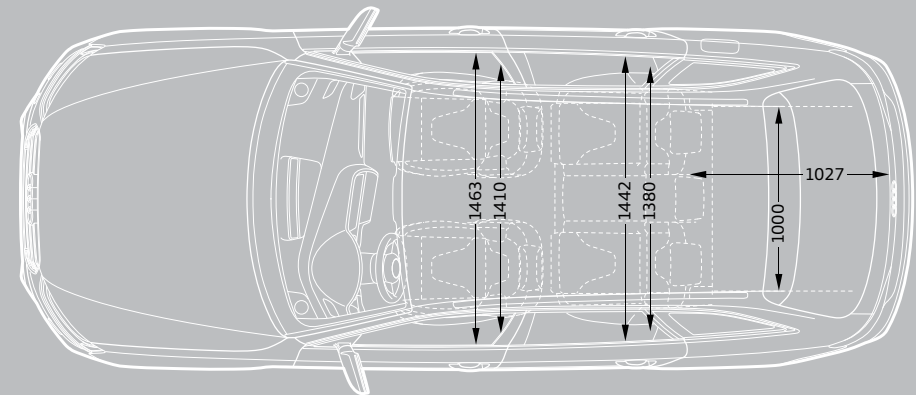
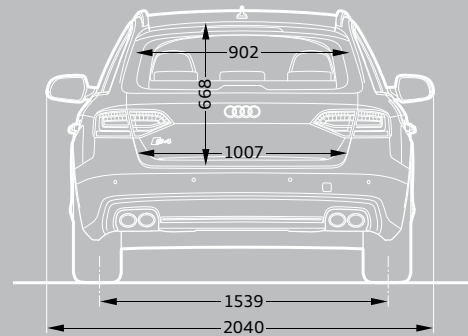
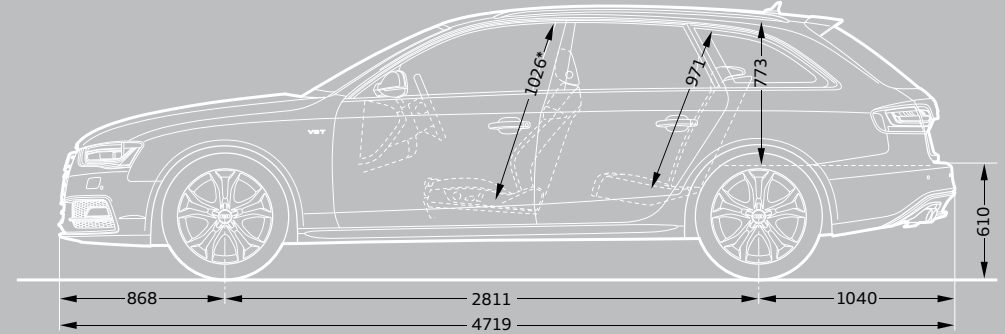
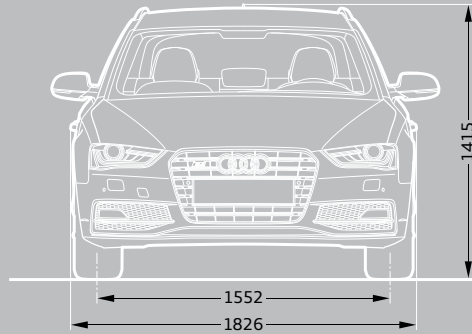
Luggage compartment volume in litres: 480/962 (measured by the VDA standard test method using 200 x 100 x 50mm blocks; second value: with rear seat folded down).

Turning circle approx 11.4m.

Dimensions in millimetres.

# S4 quattro Avant dimensions

The technical drawings opposite show the exact dimensions of the S4 Avant, so you can check everything – from whether the car will fit in your garage to whether your luggage will fit in the boot.



\*Maximum headroom.

Dimensions were measured with vehicle at unladen weight, ground clearance measured with vehicle carrying its maximum load.

Luggage compartment volume in litres: 490/1430 (measured by the VDA standard test method using 200 x 100 x 50mm blocks; second value: with rear seat folded down).

Turning circle approx 11.4m.

Dimensions in millimetres.

# Additional information

## CO<sub>2</sub> data and information

### CO<sub>2</sub> emissions-based Vehicle Excise Duty

Vehicle Excise Duty (Road Fund Licence) is based upon the amount of Carbon Dioxide (CO<sub>2</sub>) a vehicle emits, measured in grams per kilometre (g/km). First year VED rates apply to the first year of ownership. Annual VED rates apply thereafter. The DVLA has created thirteen categories:

Petrol and Diesel engines	First year	Annual rate (second year onwards)
A – up to 100g/km	£0.00	£0.00
B – 101 to 110g/km	£0.00	£20.00
C – 111 to 120g/km	£0.00	£30.00
D – 121 to 130g/km	£0.00	£100.00
E – 131 to 140g/km	£120.00	£120.00
F – 141 to 150g/km	£135.00	£135.00
G – 151 to 165g/km	£170.00	£170.00
H – 166 to 175g/km	£275.00	£195.00
I – 176 to 185g/km	£325.00	£215.00
J – 186 to 200g/km	£460.00	£250.00
K – 201 to 225g/km	£600.00	£270.00
L – 226 to 255g/km	£815.00	£460.00
M – over 255g/km	£1,030.00	£475.00

Vehicle Excise Duty (VED) rates correct at time of going to print, but these may alter to reflect any change in the applicable VED rate

### Servicing tailored to your needs

Regular servicing is key to safeguarding your Audi's performance and a full Audi service history could help you preserve the future re-sale value. To make servicing easy, the Audi Service Schedules have been designed to work with your individual driving style and vehicle.

There are two schedules available and your Audi Centre will advise which schedule is most suited to your needs. The conventional fixed Audi Inspection Service Schedule has fixed intervals for the Oil-change and Inspection Service that are based on time and distance, whichever comes first.

With the Audi LongLife Service Schedule, sensors take account of driving style and conditions in which the vehicle is used to indicate when the Oil-change Service is required. Oil-change Service intervals are therefore variable and are conveniently indicated via the on-board service interval display.

### Audi Complete

When selecting the option of Audi Complete your vehicle should be placed on the following service schedules dependent on your mileage per annum:

- ▶ Under 10,000 miles per annum – Fixed Inspection Service Schedule
- ▶ Over 10,000 miles per annum – LongLife Service Schedule

#### Fixed Inspection Service Schedule

	Vehicle usage:
Mileage	Less than 10,000 miles per annum
Type of journey	Mainly city/town centre driving. Short journeys
Conditions	Frequent cold starts. High engine loading – e.g. frequent hill climbs, vehicle fully loaded, towing
Driving style	Uneconomical – e.g. heavy acceleration, heavy braking, constant changes in speed, constant use of high revs, 'sporty' driving
	Service Intervals:
Oil-change Service	Fixed to every 9,000* miles/1 year
Inspection Service	Fixed to every 19,000* miles/2 years

#### Variable LongLife Service Schedule

	Vehicle usage:
Mileage	More than 10,000 miles per annum
Type of journey	Motorway and main road driving. Mainly longer distance journeys. Constant speeds
Conditions	Normal engine loading – e.g. with little or no towing, with little or no hill climbs. Normal vehicle loading
Driving style	Moderate acceleration, moderate braking, engine revs mainly below 3,000
	Service Intervals:
Oil-change Service	Variable to a maximum of every 19,000* miles/2 years
Inspection Service	Fixed to every 19,000* miles/2 years

\*As indicated by the service interval display. Mileages are approximate as the Service Indicator system uses kilometres as its distance measurement.



# Additional information

## Welcome to Audi

By placing an order for your Audi, you're choosing to get behind the wheel of one of the most sophisticated cars on the road. And because we believe the service we offer should be just as advanced, we wanted to let you know exactly what you can expect from us, now and in the future.

We've agreed a set of standards with all our Centres, which governs the way we do business with you. It outlines the kind of service we promise to deliver for every customer, right down to filling each new Audi we sell with half a tank of fuel.

So whether you're interested in the date your car will arrive in the UK or the way we'll dispose of non-biodegradable materials after we service your Audi, you can have total confidence in us.

## Audi Promise

### Audi Centres

We guarantee that all of our Centres will be open as follows;

Sales: Monday to Friday 9am–6pm  
Saturday 9am–5pm

Service: Monday to Friday 8am–6pm  
Saturday 8.30am–1pm

Sunday opening is at local discretion.

### New car delivery

Once we've confirmed a delivery date for your car, we'll keep you informed of progress. Subject to reasonable notice, we'll then deliver it to a place of your choice, whether that's your home or place of work. In the unlikely event of a delay, we'll provide a courtesy car to minimise inconvenience and keep you mobile.

### The experts in Vorsprung durch Technik

Would you entrust your Audi to anyone who hasn't been regularly trained to Audi standards? Our network of Audi Approved Master Technicians have undergone an impressive 100,000 hours of training over a 10-year programme to ensure they have the latest technical expertise for maintaining and servicing your Audi. All of our Service Advisors undergo a specialist induction and training to ensure they are Audi professionals and able to talk to you about any issues you may have with your Audi vehicle. What's more, we have so much expertise and experience in looking after Audi vehicles that we are able to make a note of your mileage and the state of your vehicle when we see it and predict when certain key events may occur. As part of our commitment to you, we will notify you in plenty of time so you can make an appointment with us.

### Your convenience comes first

At Audi you can choose from a range of convenient services that suit your needs. Why not book a 'service while you wait' appointment\* and enjoy our complimentary refreshments while your car is with us? Or, if you need to be mobile, take advantage of one of our courtesy cars which we can even collect and deliver to you.\* We guarantee we can service your Audi within 5 days without a courtesy car, or within 10 days if you need transport. We will also ensure your car is returned to you with a full valet.

### Audi Genuine Parts

Would you put a part into your Audi that wasn't the same quality as the factory fitted original? You can rest assured that only Audi Genuine Parts will be used on your vehicle. What's more, Audi parts and labour come with a 2 year guarantee.\*\*We stock a wide variety of parts, so we are well covered. However, if we don't have a part in stock at our Centre we have the back-up of parts at other Audi Centres, at our national warehouse and our factory and can usually source the relevant part very quickly.

### We don't like surprises either

We believe strongly in transparency and there will be no hidden costs. For added peace of mind, we will give you a quotation over the phone for the work you have requested and email you the price confirmation. We'll consult you if any additional work on your car is needed when it is with us. We won't carry out any extra work without asking your permission first.

### The Audi Stamp

Regular servicing is key to safeguarding your Audi's performance and a full Audi service history could help you preserve the future re-sale value of your car. Only the Audi Stamp will prove your approved Audi service history.

### Getting better every time

We continually gather feedback from our Audi Trained Technicians, as well as our customers, to ensure our vehicles are running as they should. Whenever we see an Audi for a service, we connect it directly to our headquarters in Ingolstadt which enables us to check your car's software and make sure it's as up-to-date as possible. If the factory has released a software upgrade for your model, it can be applied immediately – improving anything from your car's efficiency to the precision of its parking system.

### Environmental commitment

We promise to dispose of all non-biodegradable materials from your vehicle in a responsible manner

\*Subject to availability.

\*\*Excludes wear and tear.

# Pricing information

## Pricing

Prices and specifications given are correct at the time of printing. Always check details with your Audi Centre, as Audi policies are continually developing. We reserve the right to change prices or specifications at any time.

All prices are subject to VAT, currently charged at 20% but this may alter to reflect any change in the applicable VAT rate.

Delivery charges and number plates are not included in the vehicle price.

Delivery charge	£471.66
Number plate	£20.00
VAT	£98.34
Total	£590.00

## Audi Roadside Assistance

Your new car comes complete with 3 years' complimentary roadside assistance and recovery across the UK provided by RAC Motoring Services. Also included is roadside assistance throughout Europe, managed by RAC Motoring Services.

For further information and terms and conditions, please visit [audi.co.uk](http://audi.co.uk)

## Audi Customer Care

Every new Audi benefits from the comprehensive Audi Customer Care Package, which comprises:

- ▶ A 3-year Audi warranty, which covers you for unlimited mileage in the first 2 years of ownership, with a full mechanical and electrical warranty which covers you for up to 60,000 miles in the 3rd year

- ▶ A 3-year paint warranty
- ▶ A 12-year anti-corrosion warranty
- ▶ 3 years' UK roadside assistance and recovery

You also have the option when ordering your new car of choosing a 4-year or 5-year Audi warranty. Speak to a member of the sales team for more information.

## Audi Tax-Free Sales

If you are entitled to purchase a vehicle free of VAT, normally through Military or Diplomatic privilege, please contact your local Audi Centre for full details.

Should you have any difficulty obtaining the information you require, please call Freephone 0800 585878.

## Audi Finance

Audi Finance specialise in providing funding solutions for Audi drivers. Whether your Audi is for private or business use, there are a range of funding options to choose from

Below is the full range of finance products.

- ▶ Solutions – a Personal Contract Plan
- ▶ Hire purchase
- ▶ Lease purchase
- ▶ Finance lease
- ▶ Contract hire

With all products, you can choose a fixed-cost maintenance plan designed to help you budget accurately.

No matter what Audi model you choose, your local Audi Centre can provide you with a personalised quote which could fit your budget and motoring needs.

Audi Finance is a trading name of Volkswagen Financial Services (UK) Limited. An offer of finance depends on certain conditions. Available to people over 18 in the UK only.

## Audi Insurance

We want you to start enjoying your new car from day one and thanks to Audi Insurance complimentary seven day cover, you can. Call free on 0800 316 7893 (lines are open Monday to Friday 8am - 9pm, and Saturday 9am - 5pm), provide a few details and a cover note will be sent to your Audi Centre. They will then tax your car and you can drive it away.

Audi Insurance is a trading name of Volkswagen Insurance Service (Great Britain) Limited, an appointed representative of Volkswagen Financial Services (UK) Limited, Brunswick Court, Yeomans Drive, Blakelands, Milton Keynes MK14 5LR. Registered in England number 2835230. Audi Insurance is sold, underwritten and administered by Allianz Insurance plc registered in England number 84638. Registered office 57 Ladymead, Guildford, Surrey GU1 1DB. Volkswagen Financial Services (UK) Limited and Allianz Insurance plc are authorised and regulated by the Financial Services Authority. Volkswagen Financial Services (UK) Limited and Allianz Insurance plc are not part of the same corporate group.



**Audi UK**

Customer Services  
Selectapost 29  
Sheffield  
S97 3FG  
0800 699888  
audi.co.uk

Specifications and prices subject  
to change without notice.

© Audi UK

Printed in the UK  
Edition 8.2 07/12  
2013 model year

Images are for illustrative purposes only.

