



The Audi A6 and S6 Saloon and Avant

Pricing and Specification Guide

Valid from May 2013

Personalising your Audi A6

This guide has been designed to help you tailor and price your Audi A6 quickly and logically. At the back, you will find information on CO2 emissions-based taxation and the other services offered by Audi, including Finance and Insurance. You can also configure your Audi A6 online at audi.co.uk.

Audi Vision

To accompany this printed guide, we've created Audi Vision – an intuitive app that lets you find out even more about the Audi A6. Compatible with Apple and Android phones and tablets, Audi Vision gives you exclusive access to images, information and video content – all of which is designed to help you explore and understand the options available with this model.

You'll see the Audi Vision logo printed next to the page number on pages throughout this guide and wherever you do, you'll be able to view additional content on that page.



The Audi A6

| | |
|---------------|----|
| Engines | 12 |
| Transmissions | 13 |
| Efficiency | 14 |
| Hybrid | 16 |
| quattro® | 18 |

Model details and prices

| | |
|-------------------------------|----|
| SE model equipment | 22 |
| S line model equipment | 24 |
| Black Edition model equipment | 26 |
| Hybrid model equipment | 28 |
| S6 model equipment | 30 |
| Model prices | 34 |

Colour and upholstery

| | |
|-----------------------|----|
| Paint | 36 |
| Upholstery and seats | 40 |
| Colour and trim guide | 52 |

Audi exclusive

Inlays

Options

| | |
|------------------------------|----|
| Wheels, tyres and suspension | 64 |
| Packages | 70 |
| Audio and communication | 72 |
| Interior equipment | 76 |
| Exterior equipment | 78 |
| Safety and security | 80 |
| Steering wheels | 86 |

Looking after your Audi

| | |
|----------------------------|----|
| Audi Complete and Warranty | 88 |
| Accessories | 91 |
| Merchandise | 92 |
| Audi Difference | 93 |

Technical details

| | |
|------------------------------------|-----|
| Technical data | 94 |
| Dimensions | 97 |
| Pricing and Additional information | 102 |





Vorsprung durch Technik

Three words that express the very essence of Audi. Vorsprung durch Technik isn't a slogan. It's our way of seeing the world. It is the driving force behind our history of innovation that continues into the 21st century. Indeed, many technologies that Audi pioneered remain in our cars today. Some are milestones in the history of the motorcar.

From our beginnings in 1899, to the Auto Union team's Grand Prix successes in the 1930s and our more recent wins at Le Mans, we have always been at the forefront of the motor industry.

Vorsprung durch Technik makes us who we are. To see more of its influence, just read on.





The Audi A6 Enhanced driving

The new Audi A6 is designed to enhance the whole experience of driving. It's thanks to technologies like SD card-based Satellite Navigation as standard, as well as optional Wi-Fi technology that lets you and your passengers access the internet on the move. But just as important as what we've added is what we've taken away. Wherever possible, we've used aluminium in this vehicle's construction, which has enabled us to reduce weight, lower fuel consumption and improve agility.

You'll find a wide range of equipment as standard, including 17" alloy wheels, leather upholstery, DAB digital radio and Multi-Media Interface with a retractable 6.5" display. And you can also choose from a wide range of innovative options, including a 15-speaker Bang & Olufsen Advanced Sound System and a cockpit-style head-up display that enables you to keep your eyes on the road at all times. Of course, that's just the beginning. Read on to see everything the Audi A6 has to offer.









A6 interior story

We've introduced a number of finishing touches to the Audi A6 interior to make your driving experience both comfortable and unique. You'll find an impressive attention to detail in everything from the luxurious leather seating to our optional customised stitching, which means that every journey you make will be a personal one.

Engines

Petrol

TFSI® direct-injection technology is a unique Audi innovation that includes supercharging. It combines FSI® technology with forced induction – giving cars an extra injection of power and torque. It also delivers enhanced fuel efficiency as precisely the right amount of fuel and air are injected into the combustion chambers, enabling the engine to ‘breathe’ more easily. It results in reduced heat loss and increased output, with around a 15% reduction in fuel consumption and significantly lower exhaust emissions. The latest addition to the range is a TFSI full-hybrid which combines the award-winning 2.0 TFSI engine with a 40 kW electric motor and lithium-ion battery, allowing all-electric driving over short distances for the first time in the A6. Please see pages 16 and 28 for more information on hybrid driving.

Diesel

We introduced TDI® to the roads in 1989, and since then, we’ve continuously refined it, including developing common-rail technology. Under this system, a series of piezo injectors use electrical charge to precisely control the amount of fuel injected into the engine. As well as reducing noise, this allows combustion to happen at a lower temperature, with less oxygen, which lowers emissions. The recently introduced bi-turbo diesel engine is our most powerful six-cylinder diesel engine to date, capable of 313PS and an impressive combined mpg of 44.8.





Transmission

multitronic®

Translating a driver's preferences and intentions into road performance, the multitronic® transmission system entertains no compromises – whether in terms of dynamism, convenience or economy. multitronic® automatic transmission is available on models without quattro® permanent all-wheel-drive. A continuously variable transmission, multitronic® can transmit up to 400 Nm of torque and permits an exceptionally wide range of gear ratios. The result is smooth, powerful acceleration and a high level of driving comfort. And thanks to its lightweight design and a number of advanced electronic control systems that monitor gradient, road conditions and the way the driver is using the accelerator pedal, multitronic® also plays an instrumental role in reducing fuel consumption.

S tronic®

Driving is all about thinking ahead, which is just what the S tronic® dual-clutch transmission does. It works almost as two separate systems, one engaging the odd-numbered and the other the even-numbered gears. So when you're accelerating in second, it has third gear waiting for you. And once you make the switch, it's already thinking about fourth. With two clutches working together, you can change gears almost instantly while experiencing smooth, uninterrupted power.

tiptronic®

The 8-speed tiptronic transmission system reduces both fuel consumption and CO₂ emissions. It converts high-torque engine power into sporty performance and operating convenience, with crisp, fast gear changes and an optimised gear-shift strategy. More spontaneous gear changes are a particular benefit, especially when downshifting. Both in the 'D' (Drive) and 'S' (Sport) programme, the advanced electronics used in tiptronic® respond efficiently to every driver input.

Efficiency

At Audi, doing less is something we're trying to do more of. We're working to use less fuel, release less CO₂ and waste less energy. It's why we've incorporated a number of more efficient technologies into the Audi A6.

Recuperation

When a vehicle brakes, the discs convert kinetic energy into thermal energy, which is wasted as it cannot be used. With a recuperation system like the one in the Audi A6, the kinetic energy is converted into useful electrical energy. The way it works is simple. While the car is coasting or braking, the alternator voltage is raised above the level of the basic electrical system, which enables the alternator to generate electrical energy and store it temporarily in the battery. When the vehicle accelerates, this energy is used to relieve the load on the alternator, resulting in a fuel saving of up to 3%.

Enhanced air conditioning

The efficient cooling system in the Audi A6 can save up to 8 g/km of CO₂ compared with the previous model. It's thanks to a new brushless motor that's lighter, uses less energy and has a longer operating life.





Lightweight construction

From the earliest stages of its design, we looked for ways to save energy in the Audi A6. It's why every component has been optimised for greater agility, improved efficiency and more driving pleasure. In fact, thanks to its hybrid aluminium construction, this advanced model is now approximately 15% lighter than a conventional steel vehicle.

Audi cylinder-on-demand

High performance does not necessarily equate to higher consumption – as the engine of the new S6 proves. Using advanced cylinder-on-demand technology to automatically shut down four of the eight cylinders when they are not required, particularly in city traffic, you benefit from the efficiency and low emissions of a car with a much smaller engine. But out on the open road, the unbridled and instantaneous power of the turbocharged V8 is ready and waiting.

Efficiency programmes

The Driver's Information System in the Audi A6 comes as standard with an innovative efficiency programme, which offers advice on improving fuel economy as you drive. Also, via the standard Audi drive select system you can choose a new efficiency setting which aids you in driving even more economically. For more details, see page 22.

Automatic Start-Stop function

In heavy traffic, your car still uses fuel and releases CO₂, even when it's stationary. The automatic Start-Stop function counteracts this problem by switching off the engine when your car comes to a standstill. As soon as you touch the clutch, the car restarts. In conjunction with TDI® and TFSI®, it helps save up to 0.4 litres of fuel every 100km.

Hybrid

The Audi A6 hybrid brings all the comfort, luxury and quality of the Audi A6 combined with the benefits of a full hybrid vehicle. Audi hybrid models offer two things at once – impressive performance and low emissions. You can benefit from different driving styles and modes depending on your needs, ranging from all-electric and virtually emission-free driving, to conventional driving boosted by the electric motor to enhance performance.

Electric motor

Combines efficiency and dynamism - acting as either traction engine, generator or starter depending on the driving situation and performance requirement. It has an output rating of 40 kW and a maximum torque of 210 Nm. The compact and particularly lightweight electric motor is connected to the crankshaft through a clutch – this parallel hybrid concept ensures that available power is transmitted directly. The result: convincing drive-off performance and acceleration in just about every driving situation.

2.0 TFSI engine

Has received the “Engine of the Year”* award 5 times. The Audi valve-lift variable valve control system markedly improves engine efficiency and increases torque at the same time. The combination of this and the high torque available from the electric motor makes for impressive, dynamic acceleration.

Hybrid power electronics

Independently control the flow of energy between the high-voltage battery and the electric motor; supplying power to the vehicle’s on-board systems. The use of the latest technologies allows for high functionality within a compact design.





Lithium-ion battery

Determines the performance and operating range of the hybrid drive train. It has 2 major advantages compared with conventional nickel metal-hydrate batteries: its high energy density means greater power output, whilst the compact construction considerably reduces its weight. This in turn benefits the vehicle's luggage space – despite the battery it has a volume of 375 litres above the loading floor. Active battery cooling improves the availability of the hybrid system and prolongs its operating life. Thus the Audi A6 hybrid is one of the first cars in the luxury class to run purely on electricity with a lithium-ion battery for a certain period.

Hybrid driving modes

The A6 hybrid can be driven purely electrically in EV mode up to a speed of 62mph for short distances. This makes for reduced emissions and almost silent driving. D mode is set up for optimised fuel consumption and main drive power comes from the 2.0 TFSI engine. The program maintains an efficient balance between fuel consumption and performance. Features of this mode include electric drive, gliding, start-stop, boosting and recuperation. The boosting feature enables the electric motor to boost the combustion engine, briefly generating additional output and torque for the hybrid system. The S mode features sporty engine and transmission settings and performance can be boosted by the electric motor.

Electromechanical power steering

Increases efficiency as the steering force isn't supplied by the engine, but is instead generated electrically when required.

e-automatic air-conditioning

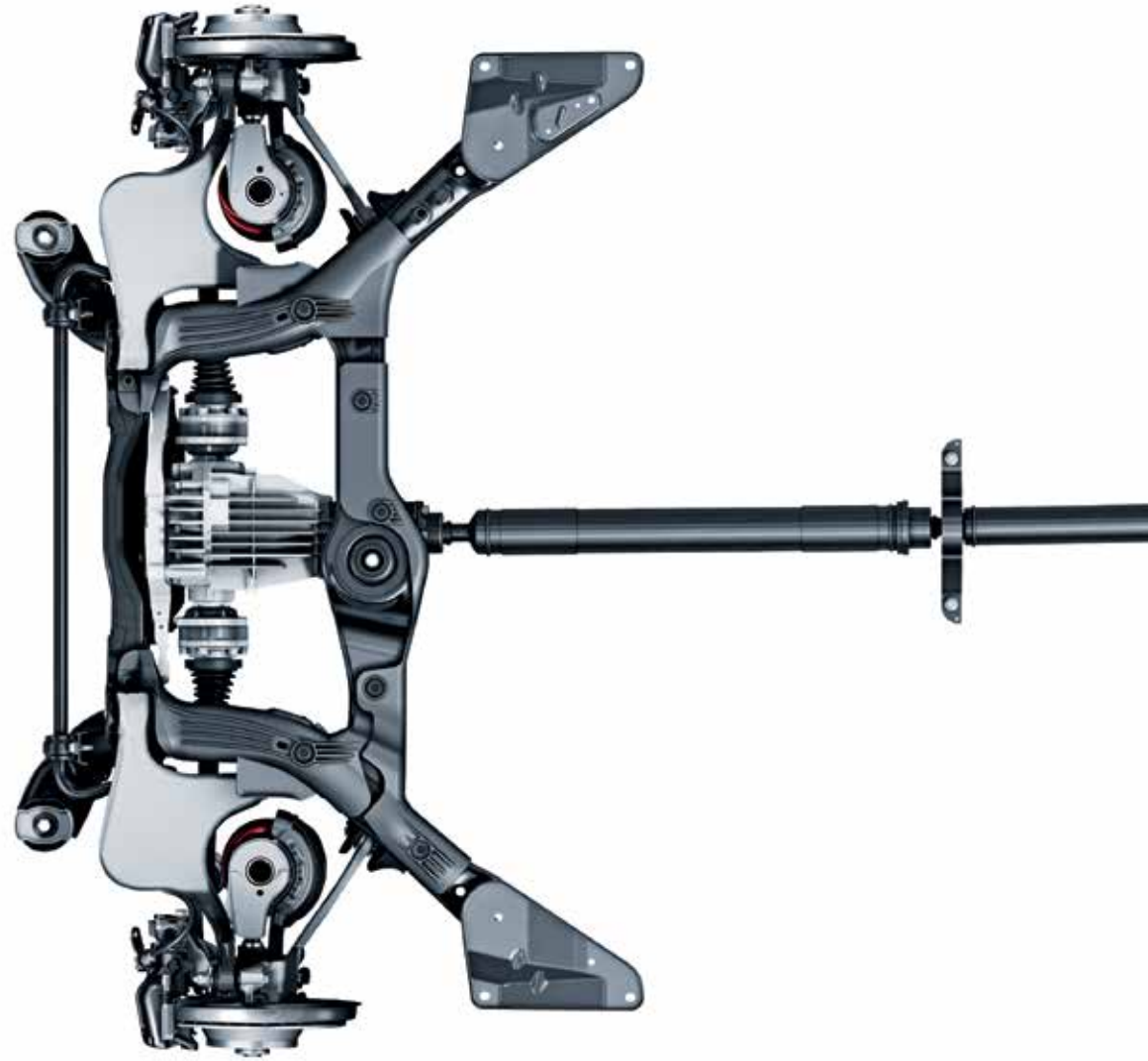
Operated by an electric air conditioning compressor, working independently of the engine. This means climate control is always available – even in pure electric mode and with the engine switched off when the vehicle is at a standstill.

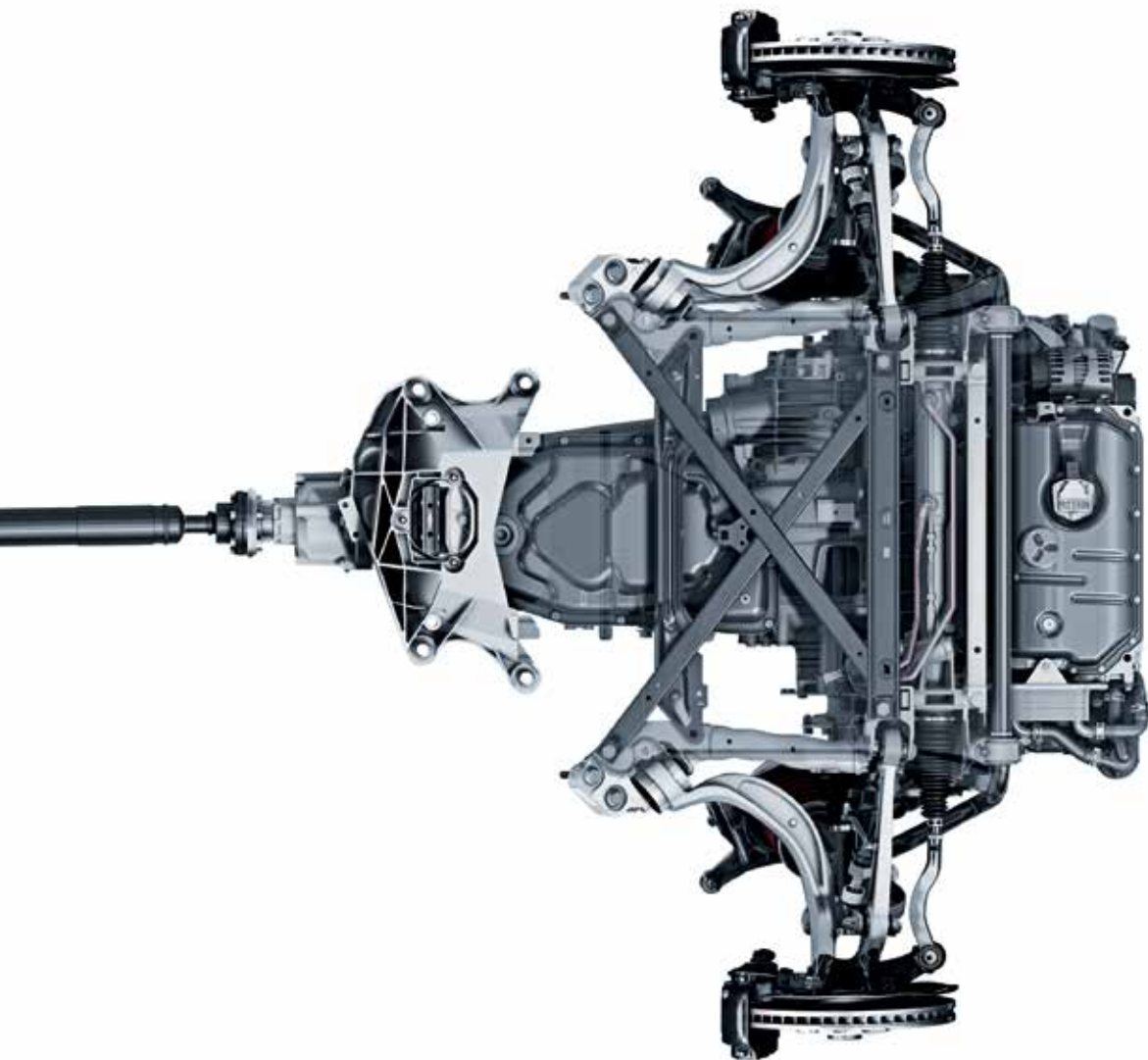
For more information regarding the Audi A6 hybrid drive please speak to your local Audi Centre.

quattro®

It's the technology that has given Audi the edge on the rally circuit ever since it was first introduced over 30 years ago – a technology that delivers ultimate control whilst enhancing the sporty characteristics which make the A6 so thrilling to drive. It's called quattro® permanent all-wheel-drive. The principle is simple: in the same way that four brakes ensure better deceleration, four permanently-driven wheels deliver better acceleration and road-holding, pushing or pulling the car as needed, for a driving experience that's both dynamic and safe.

In the A6, asymmetric dynamic torque distribution continuously distributes drive power between the front and rear axles, depending on weather conditions, road surface and gradient. This leads to greater flexibility and an enhanced, sportier drive.





quattro® with Sports differential

The optional electronically regulated Sports differential distributes variable amounts of drive force to each rear wheel, ensuring outstanding acceleration performance when cornering and stabilising the vehicle's response to load change. It also brings better direct steering characteristics and, as it requires less steering effort, more agile handling.





SE model equipment

All A6 SE models have the following items of standard equipment

Engine and transmission
Start-Stop system with energy recuperation

Wheels, tyres and suspension
17" x 8J '10-spoke' design alloy wheels with 225/55 R17 tyres

Electromechanical parking brake

Audi drive select – with four pre-configured modes (Comfort, Auto, Dynamic and Efficiency), allowing the driver to electronically adjust the engine, transmission and steering. The new efficiency mode influences the shift program, electromechanical power steering, engine, cruise control, and where fitted, deluxe automatic air conditioner, adaptive air suspension and quattro with Sports differential

Space-saver spare wheel

Anti-theft wheel bolts

Tool kit and car jack

Safety and security

Driver's Information System (DIS) – monochrome display in the direct field of view of the driver. The DIS shows the radio frequency/station or the song title, outside temperature, trip computer, gear-shift display, telephone menu and a rest recommendation feature which visually and acoustically alerts the driver to take a break when getting tired

Cruise control – maintains any speed above 18mph, provided the engine power output and engine braking effect permit it; operated via separate steering column stalk. The set speed is displayed in the Driver's Information System

Light and rain sensor – automatically switches the dipped beam or windscreen wipers on/off depending on the light and rain conditions; includes delayed deactivation/automatic activation of the rear lights and number plate lights when parking or opening the vehicle

Audi parking system plus – acoustic and visual park assist system for the front and rear with Multi-Media Interface (MMI) screen display; measurement is by ultrasonic sensors concealed in the bumpers

Tyre pressure monitoring display – provides a visual and acoustic warning of loss in pressure in one or more tyres; defective tyre is displayed in the Driver's Information System

Electronic Stability Control (ESC)

First-aid kit with warning triangle

Front airbags with front passenger deactivation – also includes front side airbags and curtain airbags

Seat belt monitoring

Anti-theft alarm – with tow-away protection via angle of inclination sensors (can be switched off), including interior monitoring system which can be switched off; alarm for monitoring doors, bonnet and tailgate, independent of vehicle electrical system

Keyless go – conveniently allows the engine to be started by simply pressing the start/stop button in the centre console. The key just needs to be carried

Hill-hold assist – holds the vehicle stationary for unlimited periods after stopping on upward and downward slopes

Seats

Split-folding rear seat backs

Standard seats in Milano leather upholstery – including seat covers, head restraints and front centre armrest. The leather is hard-wearing and durable. Includes manual adjustment for seat height, length, backrest angle, head restraint, belt height and steering wheel reach and height

ISOFIX child seat mounting – for front passenger (with airbag deactivation) and outer rear seats



4-spoke leather trimmed multi-function steering wheel



Dual-zone electronic climate-control

Audio and communication

MMI Radio Plus including:

- MMI control panel operating the MMI display (6.5" retractable colour display)
- 2 SDHC memory card readers (up to 32GB) and single CD player that supports MP3, WMA and AAC
- TP memo – automatically saves traffic news when driving

DAB digital radio reception – receives programmes from digital radio transmitters in addition to the range of analogue stations with better sound quality. With the DAB twin tuner, a second DAB tuner permanently searches for alternative reception frequencies of the set station, and the station list is updated at the same time. Please note – reception depends on local digital network availability. When in combination with MMI Navigation Plus (PNQ/WB4/WB7) it is also capable of receiving DAB+ and DMB audio signals

MMI Navigation (SD card) including:

- 6.5" retractable MMI colour display with high quality map display including 7-digit postcode recognition
- Voice control using whole words

- Dynamic route guidance
- Additional display in the Driver's Information System

Audi sound system

- 6-channel amplifier
- 180-watt amplifying capacity
- 10 loudspeakers including subwoofer

AUX-IN socket

Mobile telephone preparation – Bluetooth interface – with Bluetooth-compatible mobile phones can be connected to the vehicle via the interface, allowing handsfree calls via the microphone

Interior equipment

Dual-zone electronic climate control – automatic air conditioning which electronically regulates the air temperature, air flow rate and distribution for the driver and front passenger sides

4-spoke leather-trimmed multi-function steering wheel (with paddles for automatic transmissions)

Auto-dimming rear-view mirror – uses a photocell to recognise when the headlights behind are too bright and dims automatically

Front centre armrest – for driver and front passenger, movable and with adjustable angle

Cloth headlining

Luggage compartment system (Avant models only) comprising:

- Rail luggage-fixing system
- Dirt-resistant tray
- Double cargo floor
- Lashing points, side restraining straps and bag hooks

Non-smoking package – comprises a 12V socket in the front and rear centre consoles

Inlays in aluminium trigon

Door sill trims with aluminium inlays

Front and rear floor mats – coordinated with the selected interior colour

Exterior equipment

Exterior mirrors – electrically adjustable and heated

Halogen headlights – including fog lights incorporated into the front bumper apron

Body-coloured door mirrors

Aluminium roof rails (Avant models only)

Body-coloured roof spoiler (Avant models only)

Tow bar bracket preparation – the set of parts for retrofitting is available from Audi Accessories (see page 91) or available as an option (see page 78)

Power-operated boot lid (Avant models only) – opening via the remote control key, and when ordered in combination with the Advanced key (PGB) the boot lid will also close remotely. Opening and closing is also possible using the button in the driver's door panel or the soft touch button on the tailgate. Includes a programmable tailgate opening angle and electrically operated luggage area cover. When the boot lid is opened the luggage cover is automatically drawn back along its rails and then returns when the boot lid is closed



Image shows the A6 Saloon SE model with optional Ice silver, metallic paint (P5)

S line model equipment

In addition to SE model equipment

Wheels, tyres and suspension

18" x 8J '5-twin-spoke' design alloy wheels with 245/45 R18 tyres
Sports suspension – lowered by 20mm

Seats

Front Sports seats – including electric 4-way lumbar support and manual adjustment for seat height, length, depth, backrest, head restraint, belt height and steering wheel reach and height

Seats upholstered in black Valcona leather – with embossed S line logo in the front seat backrests

Interior equipment

S line 3-spoke leather multi-function Sports steering wheel – with S line badge (includes paddles in automatic models)

Gear lever knob in black perforated leather

Door sill trims with S line logo

S line inlays in matt-brushed aluminium

Headlining in black cloth

Exterior equipment

S line badges on the front wings

S line front and rear bumpers, side ventilation grilles, side skirts

Platinum grey front spoiler lip and diffuser insert

Bi-Xenon all-weather headlights – with LED daytime-running lights

LED rear lights

Headlight washers

Saloon & Avant 4-cylinder engines

Basic RRP
£1,541.67

Total RRP inc VAT
£1,850.00

Saloon & Avant 6-cylinder engines

Basic RRP
£1,958.33

Total RRP inc VAT
£2,350.00



18" x 8J '5-twin-spoke' design alloy wheels



S line rear styling with LED rear lights



S line interior styling with leather/Alcantara S line Sports seats



Image shows the A6 Avant S line model with optional Ice silver, metallic paint (P5)

Black Edition model equipment

In addition to S line model equipment

Basic RRP
£1,812.50

Total RRP inc VAT
£2,175.00

Wheels, tyres and suspension

20" x 8.5J '5-arm Rotor' design titanium-look alloy wheels with 255/35 R20 tyres

Audio and communication

Audi Music Interface – universal connection for use with stereo audio sources, USB and MP3 devices including Apple iPod generation 4 onwards and Apple iPhone

BOSE® Surround Sound

Interior equipment

Inlays in Piano finish, black

Exterior equipment

Black styling package – includes radiator grille frame and radiator grille struts in high-gloss black, radar sensor surrounds (if fitted) in the side ventilation grille in high-gloss black, radiator grille in matt black, front side grilles in matt black, number plate holder in matt black, window capping strips and side profile roof trim strip in high-gloss black. Avant models include roof rails in matt black

Privacy glass – dark-tinted rear and rear-side windows (from B-pillar backwards)



20" x 8.5J '5-arm Rotor' design titanium-look alloy wheels



BOSE® Surround Sound



Privacy glass from B-pillar backwards



Image shows the A6 Saloon Black Edition model with optional Daytona grey, pearl effect paint (6Y) and All-LED headlights including high-beam assist (PX2)

Hybrid model equipment

In addition to SE model equipment

Engine and transmission

73 litre fuel tank

Wheels, tyres and suspension

17" x 8J '10-arm Turbine' design alloy wheels with 225/55 R17 tyres

Tyre repair kit (replaces space-saver spare wheel)

Safety and security

Driver's Information System (DIS) with 7" colour display

Audio and communication

MMI Navigation Plus with MMI Touch

- 8" retractable MMI colour display with high quality 3D map display including 7-digit postcode recognition
- Voice control using whole words
- Specific hybrid information on energy flow and fuel consumption integrated into the display
- Dynamic route guidance (TMC)
- Additional display in the Driver's Information System
- Incorporates MPEG4-compatible DVD player and two SDHC memory card readers (up to 32GB)

Interior equipment

Deluxe 4-zone automatic air conditioning – includes front control panel with digital display, as well as separate temperature control for the driver and front passenger sides. There are additional controls with digital display in the rear with separately adjustable temperature and blower settings for right and left side

Door sill trims – with aluminium inlays and hybrid logo

Power meter – replaces the conventional rev counter on the instrument panel, keeping the driver informed of the vehicle's current operating situation. This includes the charge status of the lithium-ion battery, possible range for electric driving, combustion engine output and when the vehicle is ready to be operated

EV button – located on the centre console and can be used to keep the vehicle in electric-only mode provided no system limits are exceeded. In EV mode, the vehicle can be driven purely on electric power for short distances



Exterior equipment

Slide-and-tilt sunroof – with tinted single-glazed safety glass and infinitely adjustable sun shield, integral wind deflector and convenient closing from outside via the central locking and radio-operated remote control

Hybrid badge – situated on the front grille and luggage compartment lid

For more information regarding the Audi A6 hybrid drive please speak to your local Audi Centre



Image shows the A6 Saloon Hybrid model with optional Arctic silver, metallic paint (Y0), 18" '10-arm Turbine' design anthracite partly polished alloy wheels (PRZ) and All-LED headlights including high-beam assist (PX2)

S6 model equipment

In addition to SE model equipment

Engine and transmission

Audi cylinder-on-demand technology

Active noise cancellation system – effectively compensates for noise interference inside the car, depending on the interior noise level and engine speed. Four microphones installed in the roof lining register background engine noise and, if necessary, a precisely calculated antiphase sound is emitted through the car's internal sound system

75 litre fuel tank

Wheels, tyres and suspension

19" x 8.5J '5-parallel spoke' S design alloy wheels with 255/40 R19 tyres

'S' Sports adaptive air suspension – electronically controlled air suspension with continuously adaptive damping system on all 4 wheels to automatically regulate vehicle ride height by up to 20mm depending upon mode. Choice of 4 modes – Auto, Comfort, Dynamic and Lift, selected via the MMI system

quattro with Sports differential – the electronically regulated Sports differential distributes variable amounts of driving force to each rear wheel ensuring outstanding acceleration performance when cornering. It also ensures better direct steering characteristics and more agile handling

Seats

Valcona leather upholstery

'S' Super Sports front seats with driver's side memory function (12-way adjustable) including:

- Stitched diamond design with embossed S6 badge
- Electrically adjustable seat height
- Electrically adjustable upper backrest angle
- Electrically adjustable seat cushion angle
- Electrically adjustable seat forwards and backwards position
- 4-way electric lumbar support

Heated front seats

Interior equipment

'S' 3-spoke leather multi-function sports steering wheel – with gear-shift paddles, contrast stitching and S6 emblem

Aluminium door sill trims – with S6 logo

Inlays in Carbon atlas – including upper dashboard and gear selector lever surround
'S' instrument dials

Storage package – consisting of 2 drink holders in the rear centre armrest, luggage net and two 12V sockets in the rear

Deluxe 4-zone automatic air conditioning – includes front control panel with digital display, as well as separate temperature control for the driver and front passenger sides. There are additional controls with digital display in the rear with separately adjustable temperature and blower settings for right and left side

Start/stop button with red surround



19" x 8.5J '5-parallel spoke' S design alloy wheels

Inlays and gear selector lever surround in Carbon atlas

Exterior equipment

Aluminium-effect door mirror housings

Exterior mirrors – heated, electrically adjustable and with memory function

Bi-Xenon all-weather headlights – with LED daytime-running lights

LED rear lights

Headlight washers

Dual-branch oval twin tailpipes – in chrome finish

Platinum grey 'S' single-frame radiator grille – with dual struts in chrome and S6 logo

Matt black painted brake callipers – with S6 logo

'S' body coloured side sill trims

Front bumper air intakes – with aluminium-effect accents

Platinum grey rear bumper diffuser insert – with aluminium-effect strip

Aluminium roof rails (Avant only)

Safety and security

'S' model enhanced braking system

Driver's Information System (DIS) with 7" colour display

Tracking system preparation



'S' instrument dials



Dual-branch oval twin tailpipes in chrome finish





A6 Saloon SE

| Engines | Power | Transmissions | CO2 g/km | Basic RRP | Total RRP inc VAT | Recommended OTR |
|-------------------|-------|-------------------|----------|------------|-------------------|-----------------|
| 2.0 TDI | 177PS | 6-speed manual | 129 | £25,283.33 | £30,340.00 | £30,985.00 |
| 2.0 TDI | 177PS | multitronic | 132 | £26,558.33 | £31,870.00 | £32,640.00 |
| 3.0 TDI | 204PS | 6-speed manual | 139 | £28,700.00 | £34,440.00 | £35,210.00 |
| 3.0 TDI | 204PS | multitronic | 133 | £29,975.00 | £35,970.00 | £36,740.00 |
| 3.0 TDI quattro | 245PS | 7-speed S tronic | 156 | £32,616.67 | £39,140.00 | £39,960.00 |
| 3.0 BiTDI quattro | 313PS | 8-speed tiptronic | 166 | £36,450.00 | £43,740.00 | £44,670.00 |

A6 Saloon S line

| Engines | Power | Transmissions | CO2 g/km | Basic RRP | Total RRP inc VAT | Recommended OTR |
|-------------------|-------|-------------------|----------|------------|-------------------|-----------------|
| 2.0 TDI | 177PS | 6-speed manual | 129 | £26,825.00 | £32,190.00 | £32,835.00 |
| 2.0 TDI | 177PS | multitronic | 132 | £28,100.00 | £33,720.00 | £34,490.00 |
| 3.0 TDI | 204PS | 6-speed manual | 139 | £30,658.33 | £36,790.00 | £37,560.00 |
| 3.0 TDI | 204PS | multitronic | 133 | £31,933.33 | £38,320.00 | £39,090.00 |
| 3.0 TDI quattro | 245PS | 7-speed S tronic | 156 | £34,575.00 | £41,490.00 | £42,310.00 |
| 3.0 BiTDI quattro | 313PS | 8-speed tiptronic | 166 | £38,408.33 | £46,090.00 | £47,020.00 |

Please note: The maximum power output figures are quoted in PS (or Pferdestärke, which is the metric equivalent of brake horsepower). To convert to brake horsepower, divide the PS figure by 1.0139.

Recommended On-The-Road (OTR) retail prices include: delivery charge, half a tank of fuel, number plates at £590.00 (inc. VAT), Road Fund Licence (which may vary depending on model/transmission – see page 103 for details) and first registration fee at £55.00. Vehicle Excise Duty correct at time of going to print, but this may alter to reflect any change in the applicable VED rate.

RRP – Recommended Retail Price.
VAT is calculated at 20% but this may alter to reflect any change in the applicable VAT rate.

A6 Avant SE

| Engines | Power | Transmissions | CO2 g/km | Basic RRP | Total RRP inc VAT | Recommended OTR |
|-------------------|-------|-------------------|----------|------------|-------------------|-----------------|
| 2.0 TDI | 177PS | 6-speed manual | 132 | £26,950.00 | £32,340.00 | £33,110.00 |
| 2.0 TDI | 177PS | multitronic | 135 | £28,225.00 | £33,870.00 | £34,640.00 |
| 3.0 TDI | 204PS | 6-speed manual | 139 | £30,366.67 | £36,440.00 | £37,210.00 |
| 3.0 TDI | 204PS | multitronic | 136 | £31,641.67 | £37,970.00 | £38,740.00 |
| 3.0 TDI quattro | 245PS | 7-speed S tronic | 156 | £34,283.33 | £41,140.00 | £41,960.00 |
| 3.0 BiTDI quattro | 313PS | 8-speed tiptronic | 166 | £38,116.67 | £45,740.00 | £46,670.00 |

A6 Avant S line

| Engines | Power | Transmissions | CO2 g/km | Basic RRP | Total RRP inc VAT | Recommended OTR |
|-------------------|-------|-------------------|----------|------------|-------------------|-----------------|
| 2.0 TDI | 177PS | 6-speed manual | 132 | £28,491.67 | £34,190.00 | £34,960.00 |
| 2.0 TDI | 177PS | multitronic | 135 | £29,766.67 | £35,720.00 | £36,490.00 |
| 3.0 TDI | 204PS | 6-speed manual | 139 | £32,325.00 | £38,790.00 | £39,560.00 |
| 3.0 TDI | 204PS | multitronic | 136 | £33,600.00 | £40,320.00 | £41,090.00 |
| 3.0 TDI quattro | 245PS | 7-speed S tronic | 156 | £36,241.67 | £43,490.00 | £44,310.00 |
| 3.0 BiTDI quattro | 313PS | 8-speed tiptronic | 166 | £40,075.00 | £48,090.00 | £49,020.00 |

A6 Saloon Black Edition

| Engines | Power | Transmissions | CO ₂ g/km | Basic RRP | Total RRP inc VAT | Recommended OTR |
|-------------------|-------|-------------------|----------------------|------------|-------------------|-----------------|
| 2.0 TDI | 177PS | 6-speed manual | 129 | £28,637.50 | £34,365.00 | £35,010.00 |
| 2.0 TDI | 177PS | multitronic | 132 | £29,912.50 | £35,895.00 | £36,665.00 |
| 3.0 TDI | 204PS | 6-speed manual | 139 | £32,470.83 | £38,965.00 | £39,735.00 |
| 3.0 TDI | 204PS | multitronic | 133 | £33,745.83 | £40,495.00 | £41,265.00 |
| 3.0 TDI quattro | 245PS | 7-speed S tronic | 156 | £36,387.50 | £43,665.00 | £44,485.00 |
| 3.0 BitDI quattro | 313PS | 8-speed tiptronic | 166 | £40,220.83 | £48,265.00 | £49,195.00 |

A6 hybrid Saloon

| Engine | Power | Transmission | CO ₂ g/km | Basic RRP | Total RRP inc VAT | Recommended OTR |
|----------|-------|-------------------|----------------------|------------|-------------------|-----------------|
| 2.0 TFSI | 245PS | 8-speed tiptronic | 145 | £35,991.67 | £43,190.00 | £43,975.00 |

S6 Saloon

| Engine | Power | Transmission | CO ₂ g/km | Basic RRP | Total RRP inc VAT | Recommended OTR |
|------------------|-------|------------------|----------------------|------------|-------------------|-----------------|
| 4.0 TFSI quattro | 420PS | 7-speed S tronic | 225 | £44,366.67 | £53,240.00 | £54,505.00 |

Please note: The maximum power output figures are quoted in PS (or Pferdestärke, which is the metric equivalent of brake horsepower). To convert to brake horsepower, divide the PS figure by 1.0139.

Recommended On-The-Road (OTR) retail prices include: delivery charge, half a tank of fuel, number plates at £590.00 (inc. VAT), Road Fund Licence (which may vary depending on model/transmission – see page 103 for details) and first registration fee at £55.00. Vehicle Excise Duty correct at time of going to print, but this may alter to reflect any change in the applicable VED rate.

RRP – Recommended Retail Price.

VAT is calculated at 20% but this may alter to reflect any change in the applicable VAT rate.

A6 Avant Black Edition

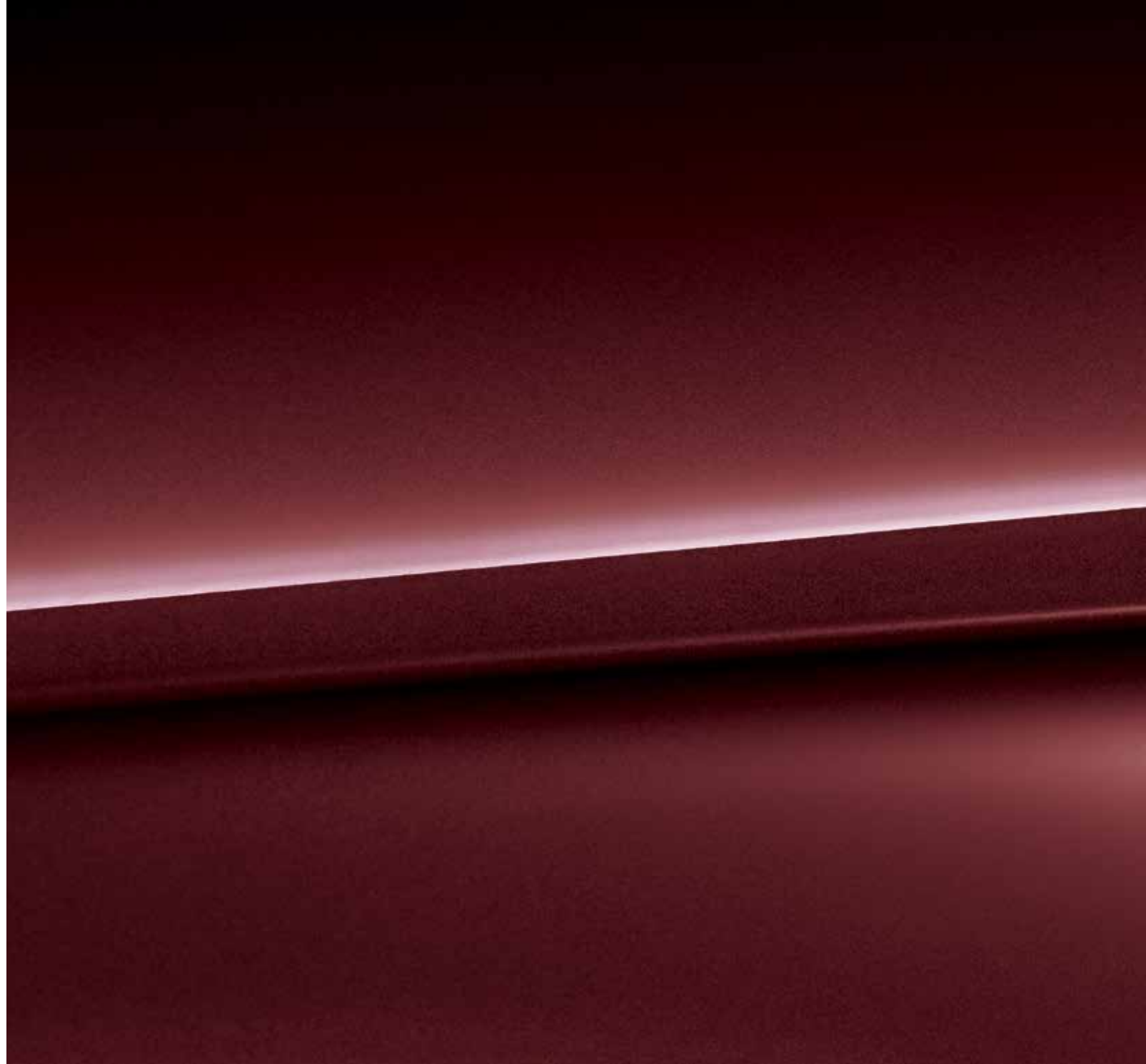
| Engines | Power | Transmissions | CO ₂ g/km | Basic RRP | Total RRP inc VAT | Recommended OTR |
|-------------------|-------|-------------------|----------------------|------------|-------------------|-----------------|
| 2.0 TDI | 177PS | 6-speed manual | 132 | £30,304.17 | £36,365.00 | £37,135.00 |
| 2.0 TDI | 177PS | multitronic | 135 | £31,579.17 | £37,895.00 | £38,665.00 |
| 3.0 TDI | 204PS | 6-speed manual | 139 | £34,137.50 | £40,965.00 | £41,735.00 |
| 3.0 TDI | 204PS | multitronic | 136 | £35,412.50 | £42,495.00 | £43,265.00 |
| 3.0 TDI quattro | 245PS | 7-speed S tronic | 156 | £38,054.17 | £45,665.00 | £46,485.00 |
| 3.0 BitDI quattro | 313PS | 8-speed tiptronic | 166 | £41,887.50 | £50,265.00 | £51,195.00 |

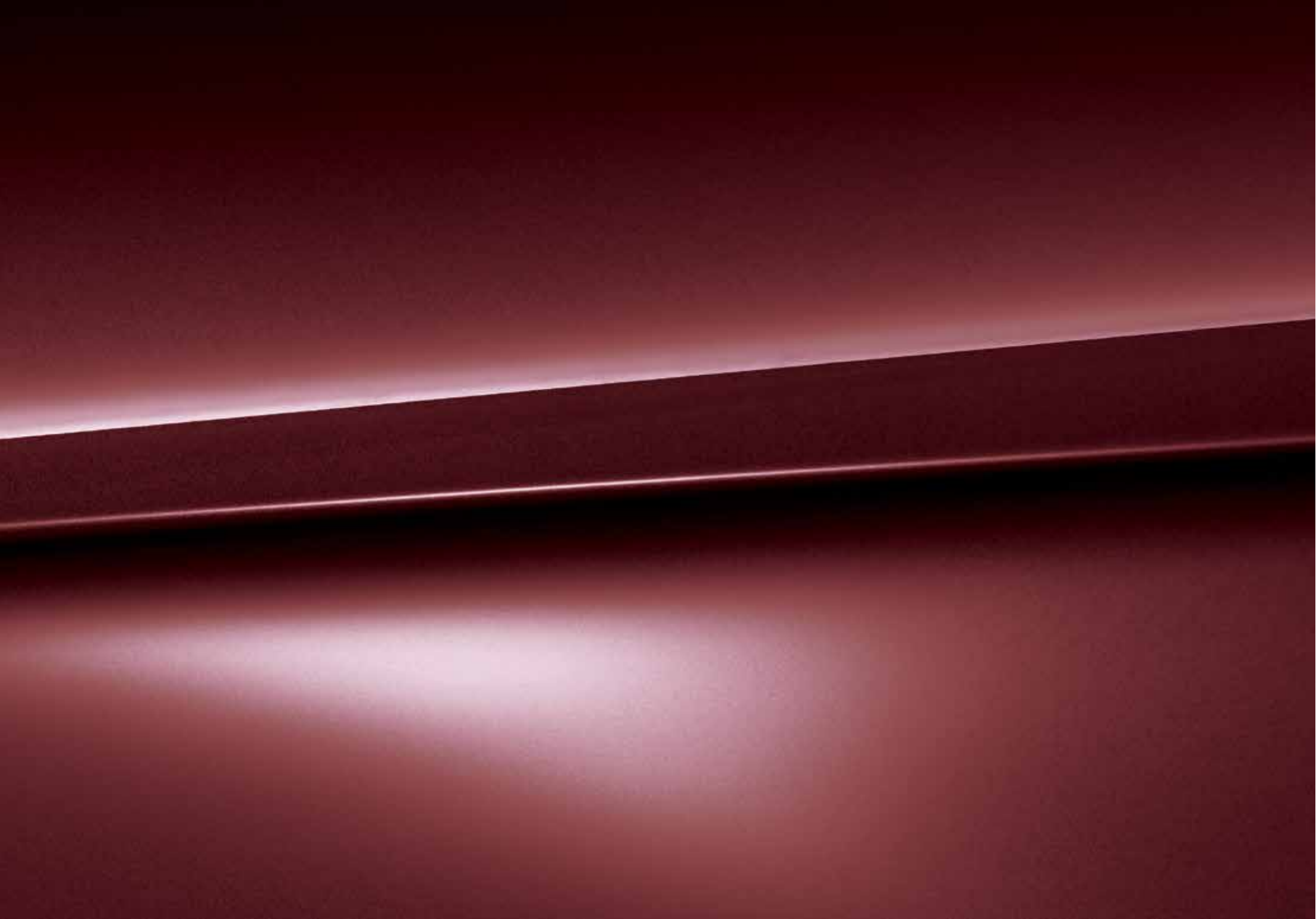
S6 Avant

| Engine | Power | Transmission | CO ₂ g/km | Basic RRP | Total RRP inc VAT | Recommended OTR |
|------------------|-------|------------------|----------------------|------------|-------------------|-----------------|
| 4.0 TFSI quattro | 420PS | 7-speed S tronic | 226 | £46,033.33 | £55,240.00 | £56,725.00 |

Paint

We believe that every part of your car should have a personal touch. Which is why you can choose from a wide range of paint colours and finishes, from standard shades to metallic and pearl effects. We can even mix a customised colour for you to create the perfect fit.





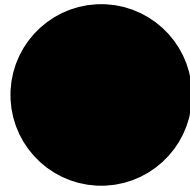
Paint

You can select one of the standard colours shown opposite or, for a different look, choose from a range of optional finishes.

Standard colours

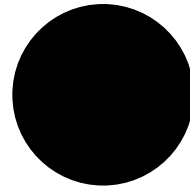


Ibis white – T9

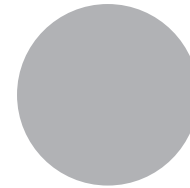


Brilliant black – A2

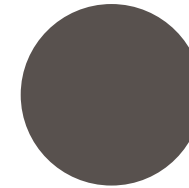
Optional colours



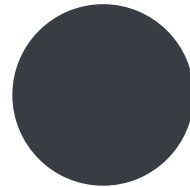
Havana black, metallic – 4J



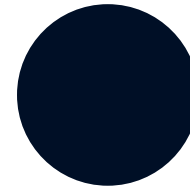
Ice silver, metallic – P5



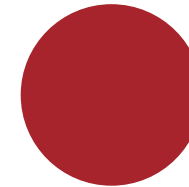
Dakota grey, metallic – Y7*



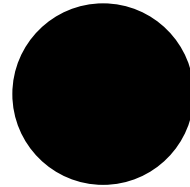
Oolong grey, metallic – 4N



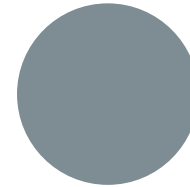
Moonlight blue, metallic – W1



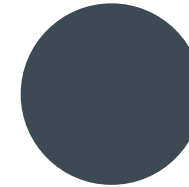
Garnet red, pearl effect – 9C*



Phantom black, pearl effect – L8



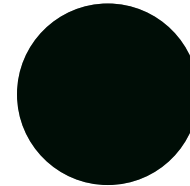
Quartz grey, metallic – Q4



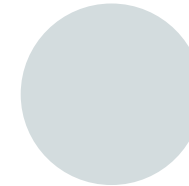
Aviator blue, metallic – U0*



Glacier white, metallic – 2Y

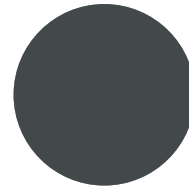


Deep green, pearl effect – 3W*



Arctic silver, metallic – Y0*
(Available on hybrid only)

S line colour



Daytona grey, pearl effect – 6Y*

Options are subject to availability and may extend delivery.

*Not available on S6.

All the colour swatches on this page are matched as accurately as possible to the actual paint colours used. However, due to print processes, Audi UK cannot guarantee that colours shown are 100% accurate.

Visit your local Audi Centre for a more accurate colour swatch.

RRP – Recommended Retail Price.

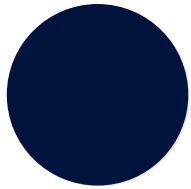
VAT is calculated at 20% but this may alter to reflect any change in the applicable VAT rate.

Optional and S line colours

Basic RRP
£545.83

Total RRP inc VAT
£655.00

S6 colour

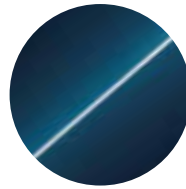


Estoril blue, crystal effect – K0

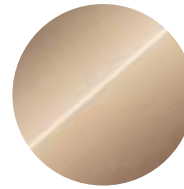
Paint

Audi exclusive

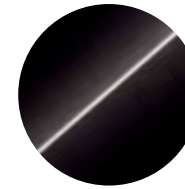
Everyone has a favourite colour. No matter what yours is, Audi exclusive provides a range of unique colours that have been designed to set your car apart. Choose from the swatches here, or specify any other paint colour in the Audi range – whether it's Sepang blue from the Audi R8 or Alpine white from the original Audi quattro. The choice is yours.



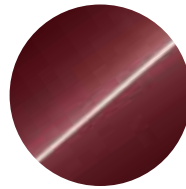
Palace blue, pearl effect



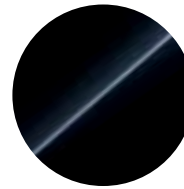
Sand beige, pearl effect



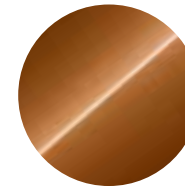
Saddle brown, pearl effect



Classic red, pearl effect



Mamba black, metallic



Ipanema brown, metallic

Customised

If you have a particular colour in mind, we'll mix the exact metallic or pearl-effect shade you want.*



Any colour in the Audi range or 100 exclusive colours to choose from**



Customised paint

*Customised paint is subject to factory approval, and is available for metallic and pearl-effect water-based paints only. Three-colour process colours and two-tone schemes are not available.

**Visit your local Audi Centre for colour samples.

All the colour swatches on this page are matched as accurately as possible to the actual paint colours used. However, due to print processes, Audi UK cannot guarantee that colours shown are 100% accurate.

Visit your local Audi Centre for a more accurate colour swatch.

RRP – Recommended Retail Price.

VAT is calculated at 20% but this may alter to reflect any change in the applicable VAT rate.

S6 colour

Basic RRP
£754.17

Total RRP inc VAT
£905.00

Audi exclusive

Basic RRP
£1,795.83

Total RRP inc VAT
£2,155.00

Customised*

Basic RRP
£2,212.50

Total RRP inc VAT
£2,655.00

Upholstery

It's important to feel comfortable on the road. Just choose from our range of luxury upholstery materials and textures, including additional support and colour options, for complete relaxation while you drive.





Upholstery

Standard seats

Standard seats are manually adjustable for head restraint height or clearance, belt height, backrest angle, seat height and forwards and backwards seat position.

To further enhance your comfort you can also add electric lumbar support and seat heating.

Choose your favourite upholstery from the swatches shown opposite to give your car's interior the look and feel you want.


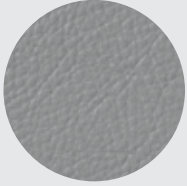
Options are subject to availability and may extend delivery.

- = Not available
• = Available
S = Standard

RRP - Recommended Retail Price.

VAT is calculated at 20% but this may alter to reflect any change in the applicable VAT rate.

Milano leather
- N5W

| | SE | S line | Black Edition | Hybrid | S6 | Basic RRP | Total RRP inc VAT |
|---|----|--------|---------------|--------|----|-----------|-------------------|
|  Black - FZ  Titanium grey - VC/KN | S | - | - | S | - | No charge | No charge |

Milano leather - seat covers, head restraints and front centre armrest in Milano leather, which is fully penetrated with dye and lacquered for excellent surface protection. The leather is extremely hard-wearing and durable, tanned without using chromium and gives a high-quality impression with its fine, grained surface

Valcona leather - N5D

| | SE | S line | Black Edition | Hybrid | S6 | Basic RRP | Total RRP inc VAT |
|--|----|--------|---------------|--------|----|-----------|-------------------|
|  Black - FZ  Nougat brown - VB  Titanium grey - VC/KN  Velvet beige - VD/KP | • | - | - | • | - | £416.67 | £500.00 |
|  Goa beige - VA | | | | | | | |

Valcona leather - seat covers, head restraints, door trims and front centre armrest in Valcona leather, a high-quality material which contributes to the elegance of the interior. A lacquered surface allows the material to breathe whilst the non-grained surface underlines the luxury of the A6. Valcona leather is tanned without using chromium, dyed and uses non-fading colour pigments

Upholstery

Standard seat options

| Order Code | | SE | S line | Black Edition | Hybrid | S6 | Basic RRP | Total RRP inc VAT |
|------------|---|----|--------|---------------|--------|----|-----------|-------------------|
| PV3 | Electrically adjustable front seats with memory function for driver's side. Electrical adjustment for seat forwards and backwards position, seat height, angle and backrest angle adjustment, 4-way lumbar support, driver's seat with memory function. Only available in combination with exterior mirrors with memory function (6XC/6XL/6XF/6XM) | ● | – | – | ● | – | £766.67 | £920.00 |
| 7P1 | 4-way electric lumbar support. For driver's and front-passenger seats, with horizontal and vertical adjustment | ● | – | – | ● | – | £245.83 | £295.00 |
| 4A3 | Heated front seats. For driver's and front-passenger seats; heats the seat cushions, backrest surfaces and seat-side bolsters and can be individually adjusted in 3 stages for each seat via a direct selection button on the air-conditioning controls. Only available in combination with lumbar support (7P1) | ● | – | – | ● | – | £250.00 | £300.00 |
| 4A4 | Heated front and rear seats. Work in the same way as front seat heating, enabling you to regulate the rear seats separately. Only available in combination with deluxe 4-zone climate control (9AQ) and lumbar support (7P1) | ● | – | – | ● | – | £366.67 | £440.00 |
| 4D3 | Seat ventilation for front seats. 3 different intensities of cool air blown through the seats using a fan for active ventilation of the seat-centre section and thigh support. To allow for the seat ventilation, the leather of the seat front is perforated. In combination with Standard seats, must be combined with electrically adjustable front seats (PV3), deluxe 4-zone climate control (9AQ), seat heating (4A3/4A4) and Milano leather (N5W) | ● | – | – | ● | – | £700.00 | £840.00 |



Standard seat with optional 4-way electric lumbar support

Options are subject to availability and may extend delivery.

– = Not available
● = Available
S = Standard

RRP – Recommended Retail Price.

VAT is calculated at 20% but this may alter to reflect any change in the applicable VAT rate.

Upholstery

Comfort seats – PS8

Comfort seats offer a multitude of electrical or pneumatic adjustment options with memory function for both front seats and exterior mirrors.

Electrically adjustable:

- Backrest angle, seat height, seat rake, forward and backward position and thigh support

Manually adjustable:

- Head restraint height/clearance and belt height

Pneumatically adjustable:

- Lumbar support, backrest side sections and seat-side sections

Choose your favourite upholstery from the swatches shown opposite to give your car's interior the look and feel you want.

Options are subject to availability and may extend delivery.



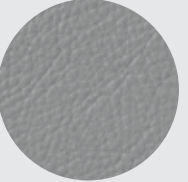

*Not available on S6.

**Valcona leather is only available when combined with seat ventilation (4D3/4D8), seat heating (4A3/4A4) and deluxe 4-zone climate control (9AQ).


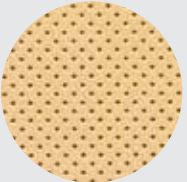
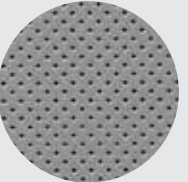
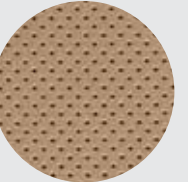
- = Not available
• = Available
S = Standard

RRP – Recommended Retail Price.

VAT is calculated at 20% but this may alter to reflect any change in the applicable VAT rate.

| | | SE | S line | Black Edition | Hybrid | S6 | Basic RRP | Total RRP inc VAT |
|-------------------------|---|-------------------|-----------------------|----------------------|--------|----|-----------|-------------------|
| Milano leather – N5W |  | • | - | - | • | - | £1,420.83 | £1,705.00 |
| |  | - | - | - | - | - | | |
| |  | - | - | - | - | - | | |
| |  | - | - | - | - | - | | |
| | Black – FZ | Nougat brown – VB | Titanium grey – VC/KN | Velvet beige – VD/KP | | | | |

Milano leather – seat covers, head restraints and front centre armrest in Milano leather, which is fully penetrated with dye and lacquered for excellent surface protection. The leather is extremely hard-wearing and durable, tanned without using chromium and gives a high-quality impression with its fine, grained surface

| | | SE | S line | Black Edition | Hybrid | S6 | Basic RRP | Total RRP inc VAT |
|----------------------------|--|-----------------|-------------------------|------------------------|--------|----|-----------|-------------------|
| Valcona leather** – N5D |  | • | - | - | • | - | £1,837.50 | £2,205.00 |
| |  | - | - | - | - | - | | |
| |  | - | - | - | - | • | £229.17 | £275.00 |
| |  | - | - | - | - | - | | |
| | Black – FZ*/SX | Goa beige – VA* | Titanium grey – VC*/KN* | Velvet beige – VD*/KP* | | | | |

Valcona leather – seat covers, head restraints, door trims and front centre armrest in Valcona leather, a high-quality material which contributes to the elegance of the interior. A lacquered surface allows the material to breathe whilst the non-grained surface underlines the luxury of the A6. Valcona leather is tanned without using chromium, dyed and uses non-fading colour pigments**

Upholstery

Comfort seat options

| Order Code | | SE | S line | Black Edition | Hybrid | S6 | Basic RRP | Total RRP inc VAT |
|------------|--|--------|--------|---------------|--------|--------|-------------------|--------------------|
| 4A3 | Heated front seats. For driver's and front-passenger seats; heats the seat cushions, backrest surfaces and seat-side bolsters and can be individually adjusted in 3 stages for each seat via a direct selection button on the air-conditioning controls | ● | - | - | ● | S | £250.00 | £300.00 |
| 4A4 | Heated front and rear seats. Work in the same way as front seat heating, enabling you to regulate the rear seats separately. Only available in combination with deluxe 4-zone climate control (9AQ) | ● - | - - | - - | ● - | - ● | £366.67 £83.33 | £440.00 £100.00 |
| 4D3 | Seat ventilation for front seats. 3 different intensities of cool air drawn through the seat for active ventilation of the seat-centre section and thigh support. To allow for the seat ventilation, the leather of the seat front is perforated. Only available in combination with deluxe 4-zone climate control (9AQ), Valcona leather (N5D) and seat heating (4A3/4A4) | ● | - | - | ● | ● | £700.00 | £840.00 |
| 4D8 | Massage and seat ventilation for front seats. Massage function with 5 different programs (wave, pulse, stretch, lumbar, shoulders) and four levels of intensity for massaging the muscles with the help of 10 pneumatic cushions. Ventilation with 3 different intensities of cool air drawn through the seat for active ventilation of the seat-centre section and thigh support. To allow for the seat ventilation, the leather of the seat front is perforated. Only available in combination with deluxe 4-zone climate control (9AQ), Valcona leather (N5D) and seat heating (4A3/4A4) | ● | - | - | ● | ● | £1,333.33 | £1,600.00 |



Comfort Seat

Options are subject to availability and may extend delivery.

- = Not available
● = Available
S = Standard

RRP – Recommended Retail Price.

VAT is calculated at 20% but this may alter to reflect any change in the applicable VAT rate.

Upholstery

Front Sports seat options

| Order Code | | SE | S line | Black Edition | Hybrid | S6 | Basic RRP | Total RRP inc VAT |
|------------|---|----|--------|---------------|--------|----|-----------|-------------------|
| PV3 | Electrically adjustable front seats with memory function for driver's side. Electrical adjustment for seat forwards and backwards position, seat height, angle and backrest angle adjustment, 4-way lumbar support, driver's seat with memory function. Only available in combination with exterior mirrors with memory function (6XG/6XL/6XF/6XM) | ● | - | - | ● | - | £766.67 | £920.00 |
| 4A3 | Heated front seats. For driver's and front-passenger seats; heats the seat cushions, backrest surfaces and seat-side bolsters and can be individually adjusted in 3 stages for each seat via a direct selection button on the air-conditioning controls | ● | - | - | ● | - | £250.00 | £300.00 |
| 4A4 | Heated front and rear seats. Work in the same way as front seat heating, enabling you to regulate the rear seats separately. Only available in combination with deluxe 4-zone climate control (9AQ) | ● | - | - | ● | - | £366.67 | £440.00 |

Options are subject to availability and may extend delivery.

- = Not available
 ● = Available
 S = Standard

All leather upholstery choices include seats, head restraints, door inserts and front centre armrest in leather. Leather/Alcantara choices include head restraints, seat-side bolsters and front centre armrest in leather with the seat centres and door inserts in Alcantara.

RRP - Recommended Retail Price.

VAT is calculated at 20% but this may alter to reflect any change in the applicable VAT rate.



Front Sports seat

Upholstery

S line Sports seats

Front S line Sports seats include electrically adjustable 4-way lumbar support.

Valcona leather
- N1V



Black - QE

Pearl Nappa
leather/Alcantara
- N7K



Black - QZ

Options are subject to availability and may extend delivery.

- = Not available
- = Available
- S = Standard

All leather upholstery choices include seats, head restraints, door inserts and front centre armrest in leather. Leather/Alcantara choices include head restraints, seat-side bolsters and front centre armrest in leather with the seat centres and door inserts in Alcantara.

RRP - Recommended Retail Price.

VAT is calculated at 20% but this may alter to reflect any change in the applicable VAT rate.

| | SE | S line | Black Edition | Hybrid | S6 | Basic RRP | Total RRP inc VAT |
|--|----|--------|---------------|--------|----|-----------|-------------------|
| Valcona leather - N1V (Black - QE) | - | S | S | - | - | No charge | No charge |
| Pearl Nappa leather/Alcantara - N7K (Black - QZ) | - | • | • | - | - | No charge | No charge |

Upholstery

S line Sports seat options

| Order Code | | SE | S line | Black Edition | Hybrid | S6 | Basic RRP | Total RRP inc VAT |
|------------|---|----|--------|---------------|--------|----|-----------|-------------------|
| PV3 | Electrically adjustable front seats with memory function for driver's side. Electrical adjustment for seat forwards and backwards position, seat height, angle and backrest angle adjustment, 4-way lumbar support, driver's seat with memory function. Only available in combination with exterior mirrors with memory function (6XG/6XL/6XF/6XM) | - | • | • | - | - | £766.67 | £920.00 |
| 4A3 | Heated front seats. For driver and front-passenger seats; heats the seat cushions, backrest surfaces and seat-side bolsters and can be individually adjusted in 3 stages for each seat via a direct selection button on the air-conditioning controls | - | • | • | - | - | £250.00 | £300.00 |
| 4A4 | Heated front and rear seats. Work in the same way as front seat heating, enabling you to regulate the rear seats separately. Only available in combination with deluxe 4-zone climate control (9AQ) | - | • | • | - | - | £366.67 | £440.00 |

Options are subject to availability and may extend delivery.

- = Not available
- = Available
- S = Standard

All leather upholstery choices include seats, head restraints, door inserts and front centre armrest in leather. Leather/Alcantara choices include head restraints, seat-side bolsters and front centre armrest in leather with the seat centres and door inserts in Alcantara.

RRP - Recommended Retail Price.

VAT is calculated at 20% but this may alter to reflect any change in the applicable VAT rate.



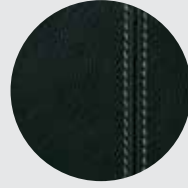
S line Sports seats

Upholstery

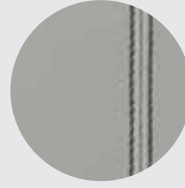
S Super Sports seats - Q4Q

Front S Super Sports seats are electrically adjustable with driver's side memory, and include electric 4-way lumbar support. Key features include extra lateral support, integrated head restraints and extendable thigh support.

Valcona leather
S6-embossed
- NOK



Black - **IM**

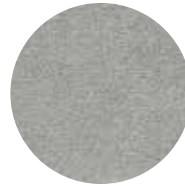


Lunar silver - **IL**

Leather/Alcantara
S6-embossed
- N7N



Black - **SX**



Lunar silver - **IN**

Options are subject to availability and may extend delivery.

- = Not available
- = Available
- S = Standard

All leather upholstery choices include seats, head restraints, door inserts and front centre armrest in leather. Leather/Alcantara choices include head restraints, seat-side bolsters and front centre armrest in leather with the seat centres and door inserts in Alcantara.

RRP - Recommended Retail Price.

VAT is calculated at 20% but this may alter to reflect any change in the applicable VAT rate.

| | SE | S line | Black Edition | Hybrid | S6 | Basic RRP | Total RRP inc VAT |
|-------------------------------------|----|--------|---------------|--------|----|-----------|-------------------|
| Valcona leather S6-embossed - NOK | - | - | - | - | S | No charge | No charge |
| Leather/Alcantara S6-embossed - N7N | - | - | - | - | • | No charge | No charge |

Upholstery

S Super Sports seat options

| Order Code | | SE | S line | Black Edition | Hybrid | S6 | Basic RRP | Total RRP inc VAT |
|------------|--|----|--------|---------------|--------|----|-----------|-------------------|
| 4A3 | Heated front seats. For driver's and front-passenger seats; heats the seat cushions, backrest surfaces and seat-side bolsters and can be individually adjusted in 3 stages for each seat via a direct selection button on the air-conditioning controls | - | - | - | - | S | No charge | No charge |
| 4A4 | Heated front and rear seats. Work in the same way as front seat heating, enabling you to regulate the rear seats separately | - | - | - | - | ● | £116.67 | £140.00 |
| PV3 | Electrically adjustable front seats with memory function for driver's side. Electrical adjustment for seat forwards and backwards position, seat height, angle and backrest angle adjustment, 4-way lumbar support, driver's seat with memory function | - | - | - | - | S | No charge | No charge |

Options are subject to availability and may extend delivery.

- = Not available
- = Available
- S = Standard

All leather upholstery choices include seats, head restraints, door inserts and front centre armrest in leather. Leather/Alcantara choices include head restraints, seat-side bolsters and front centre armrest in leather with the seat centres and door inserts in Alcantara.

RRP - Recommended Retail Price.

VAT is calculated at 20% but this may alter to reflect any change in the applicable VAT rate.



S6 Super Sports seat in Black Valcona leather

Colour and trim guide

Interior trim colours

Standard seats

To help you choose the right interior for your new AG, please use this guide, showing the carpet, dashboard and headlining colours that have been matched to your chosen upholstery.

| Order Code | Upholstery (seat centre/seat bolster) | Carpet | Dashboard (upper/lower) | Headlining | Milano leather (N5W) | Valcona leather (N5D) |
|------------|---------------------------------------|---------------|--------------------------|--------------|----------------------|-----------------------|
| FZ | Black/Black | Black | Black | Lunar silver | ● | ● |
| VA | Goa beige/Goa beige | Black | Black | Black | — | ● |
| VB | Nougat brown/Nougat brown | Black | Black | Lunar silver | — | ● |
| VC | Titanium grey/Titanium grey | Steel grey | Steel grey/Titanium grey | Lunar silver | ● | ● |
| VD | Velvet beige/Velvet beige | Moor brown | Moor brown/Velvet beige | Silk beige | — | ● |
| KN* | Titanium grey/Titanium grey | Titanium grey | Steel grey/Titanium grey | Lunar silver | ● | ● |
| KP* | Velvet beige/Velvet beige | Velvet beige | Moor brown/Velvet beige | Silk beige | — | ● |

Comfort seats

| Order Code | Upholstery (seat centre/seat bolster) | Carpet | Dashboard (upper/lower) | Headlining | Milano leather (N5W) | Valcona leather (N5D) |
|------------|---------------------------------------|---------------|--------------------------|--------------|----------------------|-----------------------|
| FZ | Black/Black | Black | Black | Lunar silver | ● | ● |
| VA | Goa beige/Goa beige | Black | Black | Black | — | ● |
| VB | Nougat brown/Nougat brown | Black | Black | Lunar silver | ● | — |
| VC | Titanium grey/Titanium grey | Steel grey | Steel grey/Titanium grey | Lunar silver | ● | ● |
| VD | Velvet beige/Velvet beige | Moor brown | Moor brown/Velvet beige | Silk beige | ● | ● |
| KN* | Titanium grey/Titanium grey | Titanium grey | Steel grey/Titanium grey | Lunar silver | ● | ● |
| KP* | Velvet beige/Velvet beige | Velvet beige | Moor brown/Velvet beige | Silk beige | ● | ● |
| SX** | Black/Black | Black | Black/Black | Lunar silver | — | ● |

*Only in combination with Dashboard code (6RB).

**S6 only.

Options are subject to availability and may extend delivery.

- = Not available
- = Available

VAT is calculated at 20% but this may alter to reflect any change in the applicable VAT rate.

Colour and trim guide

Interior trim colours

Sports seats

*Only in combination with Dashboard code (6RB).

| Order Code | Upholstery (seat centre/seat bolster) | Carpet | Dashboard (upper/lower) | Headlining | Leather/Alcantara (N7U) | Milano leather (N5W) | Valcona leather (N5D) |
|------------|---------------------------------------|---------------|--------------------------|--------------|-------------------------|----------------------|-----------------------|
| FZ | Black/Black | Black | Black | Lunar silver | ● | ● | ● |
| VA | Goa beige/Goa beige | Black | Black | Black | — | — | ● |
| VB | Nougat brown/Nougat brown | Black | Black | Lunar silver | — | — | ● |
| VC | Titanium grey/Titanium grey | Steel grey | Steel grey/Titanium grey | Lunar silver | ● | — | ● |
| VD | Velvet beige/Velvet beige | Moor brown | Moor brown/Velvet beige | Silk beige | — | — | ● |
| KN* | Titanium grey/Titanium grey | Titanium grey | Steel grey/Titanium grey | Lunar silver | ● | — | ● |
| KP* | Velvet beige/Velvet beige | Velvet beige | Moor brown/Velvet beige | Silk beige | — | — | ● |

S line Sports seats

**Black/jet grey stitching on seats, steering wheel, gear-lever gaiter and floor mats.

| Order Code | Upholstery (seat centre/seat bolster) | Carpet | Dashboard (upper/lower) | Headlining | Pearl Nappa leather/Alcantara (N7K) | Valcona leather (N1V) |
|------------|---------------------------------------|--------|-------------------------|------------|-------------------------------------|-----------------------|
| QE | Black/Black | Black | Black | Black | — | ● |
| QZ** | Black/Black | Black | Black | Black | ● | — |

S Super Sports seats

+Dark silver stitching on seats, steering wheel, gear-lever gaiter and floor mats.

**Graphite grey stitching on seats, steering wheel, gear-lever gaiter and floor mats.

Options are subject to availability and may extend delivery.

— = Not available
● = Available

RRP – Recommended Retail Price.

VAT is calculated at 20% but this may alter to reflect any change in the applicable VAT rate.

| Order Code | Upholstery (seat centre/seat bolster) | Carpet | Dashboard (upper/lower) | Headlining | Valcona leather (N0K) | Leather/Alcantara (N7N) |
|------------|---------------------------------------|--------|-------------------------|--------------|-----------------------|-------------------------|
| IM+ | Black/Black | Black | Black/Black | Lunar silver | ● | — |
| IL** | Lunar silver/Lunar silver | Black | Black/Black | Lunar silver | ● | — |
| SX | Black/Black | Black | Black/Black | Lunar silver | — | ● |
| IN | Lunar silver/Lunar silver | Black | Black/Black | Lunar silver | — | ● |

Audi exclusive

Audi exclusive enables you to create an Audi that's unique to you, with precisely the colours, finishes and interior detailing you want. You can customise as much or as little as you like, specify just one detail or design your car's overall appearance. It's entirely up to you.

Leather and stitching colours, inlays and carpets can all be tailored, and with hundreds of possible paint combinations we're sure to find the exterior colour you have in mind. We can even mix the exact metallic paint or pearlescent shade you want for your Audi.





Upholstery

Audi exclusive

With Audi exclusive, you can specify your seats in Valcona leather or Valcona leather/Alcantara, in an array of different colours shown to the right.

Select just one all-over shade for each seat, or customise each panel in two or more complementary colours from the distinctive Audi exclusive palette. You can even choose the colour of the decorative stitching – to match or contrast with your chosen upholstery – from this varied collection. Whatever combination you decide upon, we think you'll be extremely comfortable with the result.

Alcantara colours: available in all the Audi exclusive colours shown, except for Crimson red and Sand beige. Alcantara equivalents are Chilli red and Sesame beige respectively.

Please consult your Audi Centre for examples of Alcantara and carpet colours.

Options are subject to availability and may extend delivery.

- = Not available
 • = Available
 S = Standard

RRP – Recommended Retail Price.

VAT is calculated at 20% but this may alter to reflect any change in the applicable VAT rate.



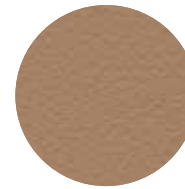
Chestnut brown



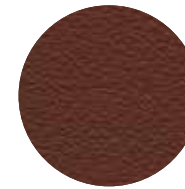
Jet grey



Alabaster white



Sand beige



Saddle brown



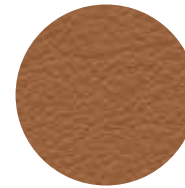
Crimson red



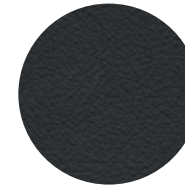
Magnolia white



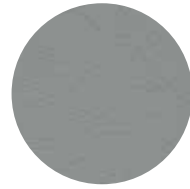
Havana brown



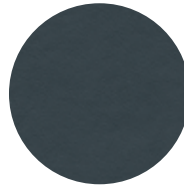
Cognac brown



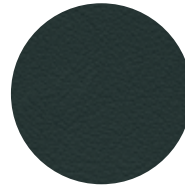
Night blue



Cloudy grey



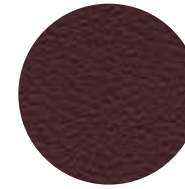
Smoky blue



Iceland green



Powder beige



Classic red



Upholstery

Audi exclusive

| Order Code | | SE | S line | Black Edition | Hybrid | S6 | Basic RRP | Total RRP inc VAT |
|----------------|--|----|--------|---------------|--------|----|-----------|-------------------|
| PYB S3G | Audi exclusive leather package 1 in Valcona leather* . Includes leather-covered seat upholstery, lower centre console, head restraints, front centre armrest and door trim inserts. Only available in combination with 4-way lumbar support (7P1) | ● | ● | ● | ● | ● | £4,166.67 | £5,000.00 |
| PYC S3G | Audi exclusive leather package 1 in Valcona leather/Alcantara* . Includes leather-covered seat upholstery, lower centre console, head restraints and front centre armrest in Valcona leather. Seat centre section and door trim inserts in Alcantara. Only available in combination with front Sports seats (PS1) or Super Sports seats (Q4Q) | ● | ● | ● | — | ● | £4,166.67 | £5,000.00 |
| PYR S3G | Audi exclusive leather equipment and trim package 2 in Valcona leather* . Includes all the contents of leather package 1 (PYB) plus leather-covered door armrests, door pull handle and backrest covers. Seat-side trims and add-on parts are colour-coordinated. Only available in combination with 4-way lumbar support (7P1) | ● | — | — | ● | ● | £7,225.00 | £8,670.00 |

Options are subject to availability and may extend delivery.

- = Not available
- = Available
- S = Standard

*Leather and stitching colours (where applicable) can be specified in a variety of colours from the Audi exclusive range shown on page 56.

RRP – Recommended Retail Price.

VAT is calculated at 20% but this may alter to reflect any change in the applicable VAT rate.



Audi exclusive leather package 1



Audi exclusive leather package 2

Upholstery

Audi exclusive interior options

| Order Code | | SE | S line | Black Edition | Hybrid | S6 | Basic RRP | Total RRP inc VAT |
|------------|--|----|--------|---------------|--------|----|-----------|-------------------|
| YTO S3G | Audi exclusive seat belts* | ● | ● | ● | — | ● | £1,375.00 | £1,650.00 |
| YRH S3G | Audi exclusive steering wheel.* Not in combination with Audi exclusive controls package (YRB) | ● | ● | ● | — | ● | £458.33 | £550.00 |
| YRI S3G | Audi exclusive part-wood, part-leather steering wheel. Only in combination with an Audi exclusive inlay (YTA - excluding Tamo ash, natural dark brown) and a 4-spoke leather-covered multi-function steering wheel with gear-shift paddles. Cannot be ordered with heated steering wheels | ● | — | — | — | — | £908.33 | £1,090.00 |
| YRB S3G | Audi exclusive controls package.* Includes steering wheel rim and selector lever in leather. Not available in combination with Audi exclusive leather steering wheel rim (YRH) | ● | ● | ● | — | ● | £691.67 | £830.00 |
| 6F9 | Steering wheel in wood segments. Not in combination with Audi exclusive inlays or Audi lane assist. Only available in combination with Walnut brown inlays (5MG) and leather-trimmed multi-function steering wheel in 4-spoke design with gear-shift paddles | ● | — | — | ● | — | £508.33 | £610.00 |
| 6Q3 | Gear selector lever with wood segments (automatic transmissions only). Only available in combination with Walnut dark brown inlays (5MG) | ● | — | — | ● | — | £95.83 | £115.00 |
| 6Q6 | Aluminium gear knob (manual transmission only). Only available in combination with Black (FZ/QE/QZ), Goa beige (VA) or Nougat brown (VB) interior trim | ● | ● | ● | — | — | £120.83 | £145.00 |
| YSR S3G | Audi exclusive floor mats with piping.** Includes front and rear floor mats. Not available in combination with Audi exclusive carpets (YSQ) | ● | ● | ● | ● | ● | £395.83 | £475.00 |
| YSQ S3G | Audi exclusive carpets.** Includes front and rear floor mats. Not available in combination with Audi exclusive floor mats with piping (YSR) | ● | ● | ● | — | ● | £1,750.00 | £2,100.00 |

Options are subject to availability and may extend delivery.

— = Not available
● = Available
S = Standard

*Leather and stitching colours (where applicable) can be specified in a variety of colours from the Audi exclusive range shown on page 56.

**The floor mats and carpet colour can be selected from any of the Audi exclusive colours shown on page 56.

RRP – Recommended Retail Price.

VAT is calculated at 20% but this may alter to reflect any change in the applicable VAT rate.



Audi exclusive seat belt



Audi exclusive carpet, including floor mats with piping



Audi exclusive part-wood, part-leather steering wheel



Inlays

Attention to detail can make a big impact. From contemporary Piano black finish to a Walnut brown, our selection of inlays make the perfect finishing touch to your car's interior.

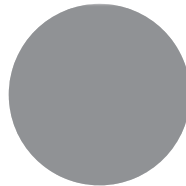




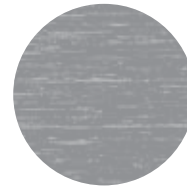
Inlays

Inlays are the all-important finishing touch that add flair and interest to your car's interior.

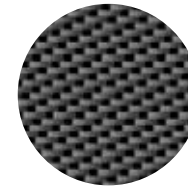
| Order Code | | SE | S line | Black Edition | Hybrid | S6 | Basic RRP | Total RRP inc VAT |
|------------|---|----|--------|---------------|--------|----|-----------|-------------------|
| 5MU | Aluminium trigon. Covers centre console, door trims and the continuous inlay seam | S | - | - | S | - | No charge | No charge |
| 5TG | Matt-brushed aluminium. Covers centre console, door trims and the continuous inlay seam | - | S | - | - | - | No charge | No charge |
| 5TL | Piano finish, black. Covers centre console, door trims and the continuous inlay seam, with aluminium-look edging | - | ● | S | - | ● | £583.33 | £700.00 |
| 5MK | Carbon atlas. Covers centre console, door trims and the continuous inlay seam, with aluminium-look edging | - | - | - | - | S | No charge | No charge |
| 5MG | Walnut, dark brown. Covers centre console, door trims and the continuous inlay seam, with aluminium-look edging | ● | - | - | ● | - | £320.83 | £385.00 |
| 7TL | Fine grain ash, natural brown. Covers centre console, door trims and the continuous inlay seam, with aluminium-look edging | ● | ● | - | ● | - | £320.83 | £385.00 |
| | | - | - | - | - | ● | No charge | No charge |
| 5MT | Oakwood, beaufort. Covers centre console, door trims and the continuous inlay seam, with aluminium-look edging | ● | - | - | ● | - | £583.33 | £700.00 |
| | | - | - | - | - | ● | £62.50 | £75.00 |
| 5TB | Aluminium, beaufort black . Covers centre console, door trims and the continuous inlay seam, with aluminium-look edging | - | ● | ● | - | - | £1,291.67 | £1,550.00 |
| | | - | - | - | - | ● | £1,041.67 | £1,250.00 |



Aluminium trigon – **5MU**



Matt-brushed aluminium – **5TG**



Carbon atlas – **5MK**



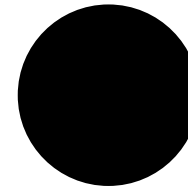
Walnut, dark brown – **5MG**



Fine grain ash, natural brown – **7TL**



Oakwood, beaufort – **5MT**



Piano finish, black – **5TL**



Aluminium, beaufort black – **5TB**

Options are subject to availability and may extend delivery.

- = Not available
● = Available
S = Standard

RRP – Recommended Retail Price.

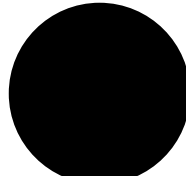
VAT is calculated at 20% but this may alter to reflect any change in the applicable VAT rate.

Inlays

Audi exclusive

Audi exclusive has sourced a wide range of materials which you can select for your inlays, from Oak sepia to Fine grain myrtle nutmeg.

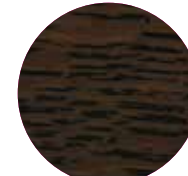
| Order Code | | SE | S line | Black Edition | Hybrid | S6 | Basic RRP | Total RRP inc VAT |
|----------------|--|----|--------|---------------|--------|----|-----------|-------------------|
| YTA S3G | Audi exclusive inlays – not available in combination with wooden Sports steering wheels or with the inlays on page 62 | – | – | – | – | – | £1,137.50 | £1,365.00 |
| | | – | – | – | – | – | £1,083.33 | £1,300.00 |



Piano finish, black*



Fine grain ash, nougat



Oak, sepia



Fine grain myrtle, nutmeg



Modrone wood, gold



Vavona wood, bronze



Tamo ash, natural dark brown

Options are subject to availability and may extend delivery.

- = Not available
- = Available
- S = Standard

*Piano finish, black inlay available on S line and S6 at a lower price, as shown on page 62.

RRP – Recommended Retail Price.

VAT is calculated at 20% but this may alter to reflect any change in the applicable VAT rate.



Options

Every driver has different needs, which is why we have created some useful options to further enhance your car. For extra comfort, support, style or function, you can choose from a variety of additional features, tailoring everything from your infotainment and audio equipment to your wheels and lighting.





Wheels, tyres and suspension

Choose a set of specially-selected alloy wheels to subtly enhance the way your car looks and drives.



17" x 8J '10-spoke'
design alloy wheels – PRQ



18/19" x 8J '5-twin-spoke'
design alloy wheels – PQ1/PQ2



18" x 8J '5-spoke V'
design alloy wheels – PRM



18" x 8J '5-arm'
design alloy wheels – PRD



18" x 8J '10-arm Turbine' design anthracite
partly polished alloy wheels – PRZ



19" x 8.5J '15-spoke Star'
design alloy wheels – PRY



19" x 8.5J '7-twin-spoke'
design alloy wheels – PQT



20" x 8.5J '10-spoke V'
design anthracite partly polished
alloy wheels – PRU



20" x 8.5J '5-segment-spoke' design
alloy wheels – PQS



20" x 8.5J '5-arm Rotor'
design titanium-look alloy wheels – PQU



20" x 8.5J '5-parallel spoke Star' S design
alloy wheels – PRG

Options are subject to availability and may extend delivery.

- = Not available
- = Available
- S = Standard

RRP – Recommended Retail Price.

VAT is calculated at 20% but this may alter to reflect any change in the applicable VAT rate.

Wheels, tyres and suspension

| Order Code | | SE | S line | Black Edition | Hybrid | S6 | Basic RRP | Total RRP inc VAT |
|------------|--|----|--------|---------------|--------|----|-----------|-------------------|
| PRQ | 17" x 8J '10-spoke' design alloy wheels with 225/55 R17 tyres | S | - | - | - | - | No charge | No charge |
| PQ1 | 18" x 8J '5-twin-spoke' design alloy wheels with 245/45 R18 tyres | - | S | - | - | - | No charge | No charge |
| C4D | 17" x 8J '10-arm Turbine' design alloy wheels with 225/55 R17 tyres | - | - | - | S | - | No charge | No charge |
| CZ3 | 19" x 8.5J '5-parallel spoke' S design alloy wheels with 255/40 R19 tyres | - | - | - | - | S | No charge | No charge |
| PRM | 18" x 8J '5-spoke V' design alloy wheels with 245/45 R18 tyres | ● | - | - | - | - | £525.00 | £630.00 |
| PRD | 18" x 8J '5-arm' design alloy wheels with 245/45 R18 tyres | ● | - | - | - | - | £650.00 | £780.00 |
| PRZ | 18" x 8J '10-arm Turbine' design anthracite partly polished alloy wheels with 245/45 R18 tyres | - | - | - | ● | - | £787.50 | £945.00 |
| PQ2 | 19" x 8J '5-twin-spoke' design alloy wheels with 255/40 R19 tyres | ● | - | - | - | - | £1,616.67 | £1,940.00 |
| | | - | ● | - | - | ● | £654.17 | £785.00 |
| PRY | 19" x 8.5J '15-spoke Star' design alloy wheels with 255/40 R19 tyres | ● | - | - | ● | - | £1,308.33 | £1,570.00 |
| PQT | 19" x 8.5J '7-twin-spoke' design alloy wheels with 255/40 R19 tyres | ● | - | - | - | - | £1,616.67 | £1,940.00 |
| | | - | ● | - | - | ● | £654.17 | £785.00 |
| PRU | 20" x 8.5J '10-spoke V' design anthracite partly polished alloy wheels with 255/35 R20 tyres | ● | - | - | ● | - | £2,083.33 | £2,500.00 |
| | | ● | - | - | - | - | £2,229.17 | £2,675.00 |
| PQS | 20" x 8.5J '5-segment-spoke' design alloy wheels with 255/35 R20 tyres | - | ● | - | - | ● | £1,266.67 | £1,520.00 |
| | | - | - | ● | - | - | No charge | No charge |
| PQU | 20" x 8.5J '5-arm Rotor' design titanium-look alloy wheels with 255/35 R20 tyres | ● | - | - | - | - | £2,316.67 | £2,780.00 |
| | | - | ● | S | - | ● | £1,354.17 | £1,625.00 |
| PRG | 20" x 8.5J '5-parallel spoke Star' S design alloy wheels with 255/35 R20 tyres | - | - | - | - | ● | £1,166.67 | £1,400.00 |

Options are subject to availability and may extend delivery.

- = Not available
● = Available
S = Standard

RRP – Recommended Retail Price.

VAT is calculated at 20% but this may alter to reflect any change in the applicable VAT rate.

Wheels, tyres and suspension

| Order Code | | SE | S line | Black Edition | Hybrid | S6 | Basic RRP | Total RRP inc VAT |
|------------|--|----|--------|---------------|--------|----|-----------|-------------------|
| H46 | Run-flat tyres. Journey can be continued on a flat tyre at a speed of up to 50mph and for a maximum distance of 18 miles, without having to change the wheel. Only available in combination with 19" x 8.5J '15-spoke Star' design alloy wheels (PRY) and tyre repair kit (1G8) | ● | – | – | – | – | £262.50 | £315.00 |
| 1BE | Sports suspension. Lowered by 20mm with more firmly tuned springs and dampers for more direct contact with the road | ● | S | S | – | – | £341.67 | £410.00 |
| 1BV | S line Sports suspension. With more dynamic suspension tuning and vehicle lowered by a further 10mm (over standard Sports suspension) | – | ● | ● | – | – | No charge | No charge |
| 1BK | Adaptive air suspension. Electronically controlled air suspension with infinitely variable adaptive damping system on all four wheels. Automatically regulates vehicle ride height and damping, including ride height control; different modes (Comfort, Dynamic, Auto and additional 'Lift' function for increased ground clearance) selected via Audi drive select. Only available in combination with Bi-Xenon or all-LED lights (PXB/PX2) | ● | ● | ● | – | – | £1,666.67 | £2,000.00 |
| GH2 | quattro with Sports differential. The electronically regulated Sports differential distributes variable amounts of driving force to each rear wheel, ensuring outstanding acceleration performance when cornering and stabilising the vehicle's response to load change. It also ensures better direct steering characteristics and, thanks to less steering effort, more agile handling. Only available on quattro engines | ● | ● | ● | – | S | £916.67 | £1,100.00 |
| 1N8 | Dynamic steering. With this technology, driving is significantly more agile under everyday conditions, while directional stability and precision are increased at high speeds and in demanding driving situations | ● | ● | ● | – | ● | £1,008.33 | £1,210.00 |
| PCS | Ceramic Brakes. 19" high-performance braking system with carbon fibre-reinforced ceramic brake discs front and rear. Includes specially designed cooling ducts in the ventilated and perforated brake discs, brake callipers in high gloss anthracite, and 'Audi ceramic' inscription to the front callipers | – | – | – | – | ● | £7,208.33 | £8,650.00 |

Options are subject to availability and may extend delivery.

– = Not available

● = Available

S = Standard

RRP – Recommended Retail Price.

VAT is calculated at 20% but this may alter to reflect any change in the applicable VAT rate.



Image shows S6 model with optional All-LED headlights including high-beam assist (PX2) and Adaptive cruise control with Stop&Go function (PCG)

Packages

Some items work well together, which is why we've created these special packages. They provide increased convenience and value by combining several of our most popular options.

| Order Code | | SE | S line | Black Edition | Hybrid | S6 | Basic RRP | Total RRP inc VAT |
|------------|---|----|--------|---------------|--------|----|-----------|-------------------|
| WB4 | <p>Technology package Featuring MMI Navigation Plus with MMI Touch, colour Driver's Information System (DIS), mobile telephone preparation - High with Audi connect and Audi Music Interface</p> <p>MMI Navigation Plus (PNQ). Includes HDD-based Navigation with topographical map display, places of interest and town models in 3D. Destinations can be entered via the speech dialogue system or MMI Touch, including 7-digit postcode recognition. Also includes DVD player and 2 SDHC memory card readers</p> <p>Driver's Information System (DIS) with 7" colour display (9Q8). High-resolution TFT colour 7" display in direct field of view of the driver. Shows information from driver assistance systems, media in use, telephone menu, gear, outside temperature and other display content of the MMI such as night vision assistant (if optionally selected)</p> <p>Mobile telephone preparation – High with Audi connect (9ZW). Audi connect provides access to a number of innovative online services via an internal UMTS (3G) module. Audi connect online services include: navigation using Google Earth images and Google Street View, destination entry via Google Maps or myAudi, online point of interest search and information services such as weather forecasts and the latest world news. Audi connect can also create a Wi-Fi hotspot in the car for convenient internet access using a mobile device (e.g. laptop or tablet). Please see page 74 for a full description of this option including functionality and compatibility details</p> <p>Audi Music Interface (UF7) – a universal connection for use with stereo audio sources, USB and MP3 devices For more details please see pages 72, 74 and 75</p> | • | • | • | – | • | £1,250.00 | £1,500.00 |
| WB7 | <p>Technology package advanced Includes all the features of technology package (WB4) as well as Audi adaptive cruise control and the Audi pre-sense plus safety package (PCN) which, in a situation where a collision is inevitable, allows full brake application to avoid or lessen the impact of the collision</p> <p>Audi adaptive cruise control with Stop&Go function including pre-sense front (PCG). Automatic distance regulation, using radar sensors to maintain the required distance between vehicles by braking and accelerating. Works at speeds between 0 and 155mph*</p> <p>Audi side assist including pre-sense rear (PCH). Aids the driver when changing lane. The system monitors the area behind your car, using radar sensors located discreetly in the rear bumper, informing the driver with a visual warning signal in the door mirror if there is a vehicle in their blind spot or approaching quickly from behind</p> <p>Audi active lane assist (PCB). Helps the driver to stay in lane with gentle steering impulses for greater safety and convenience</p> <p>Exterior mirrors (6XE). Heated, electrically adjustable and electrically folding, with automatic kerb view function which tilts the passenger mirror downwards towards the kerb when reverse gear is engaged. S6 includes Exterior mirrors with memory function (6XF)</p> <p>Not available in combination with manual transmission. On SE trim must be combined with Bi-Xenon or all-LED lights (PXB/PX2)</p> <p>For more details please see pages 78 and 82</p> | • | • | • | – | • | £2,708.33 | £3,250.00 |

Options are subject to availability and may extend delivery.

- = Not available
- = Available
- S = Standard

*Where the law permits.

RRP – Recommended Retail Price.

VAT is calculated at 20% but this may alter to reflect any change in the applicable VAT rate.

Packages



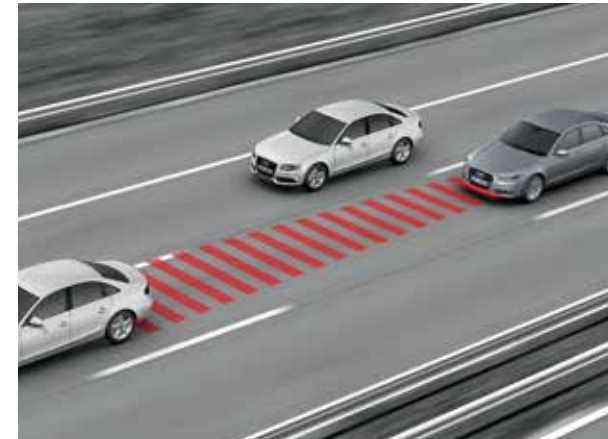
MMI Navigation Plus with Google Maps - part of the technology package



MMI Navigation Plus including MMI Touch - part of the technology package



Audi adaptive cruise control with Stop&Go function - part of the technology package advanced



Audi adaptive cruise control with Stop&Go function - part of the technology package advanced

Audio and communication

Stay in touch using our range of communication functions, and give each journey its own soundtrack with our advanced audio equipment.

Options are subject to availability and may extend delivery.

- = Not available
- = Available
- S = Standard

RRP – Recommended Retail Price.

VAT is calculated at 20% but this may alter to reflect any change in the applicable VAT rate.

| Order Code | | SE | S line | Black Edition | Hybrid | S6 | Basic RRP | Total RRP inc VAT |
|------------|---|----|--------|---------------|--------|----|-----------|-------------------|
| UF7 | Audi Music Interface. Universal connection for use with stereo audio sources, USB and MP3 devices including Apple iPod generation 4 onwards (iPod, iPod classic, iPod mini, iPod nano, iPod photo, iPod video, iPod touch). Provides intuitive control through the audio system and multi-function steering wheel. It also replicates the iPod display on the MMI audio screen and DIS, including track titles. The interface provides charging function (dependent on device). Includes 2 cables to connect your iPod or USB MP3 player device. Please note that this option will replace the standard AUX-IN socket. Also available as part of the technology packages (WB4/WB7) | • | • | S | • | • | £216.67 | £260.00 |
| 9Q8 | Driver's Information System (DIS) with 7" colour display. High-resolution TFT colour 7" display in direct field of view of the driver. Shows information from driver assistance systems, media in use, telephone menu, gear, outside temperature and other display content of the MMI such as night vision assistant (if optionally selected). Also available as part of the technology packages (WB4/WB7) | • | • | • | S | S | £166.67 | £200.00 |
| 7A2 | CD changer in the glove compartment. For 6 CDs, MP3 and WMA-compatible, shock-resistant, easily accessible and each CD can be loaded and changed individually. Also supports UDF file system (Windows Vista). Music files with digital rights management (DRM) cannot be played. Not available with DVD/CD changer (6G0) | • | • | • | • | • | £366.67 | £440.00 |
| 6G0 | DVD/CD changer in glove compartment. For 6 DVDs or CDs. Supports audio CDs, video DVDs and MP3, WMA, AAC, MPEG4 and playlists as well as UDF file system (Windows Vista); supports up to 4,000 tracks per medium; shock-resistant and easily accessible in the glove compartment; DVDs and CDs can be changed individually; fast forward, rewind and random playback possible. Music files with digital rights management (DRM) cannot be played. Only available in combination with MMI Navigation Plus (PNQ/WB4/WB7) | • | • | • | • | • | £566.67 | £680.00 |



Audio and communication

| Order Code | SE | S line | Black Edition | Hybrid | S6 | Basic RRP | Total RRP inc VAT |
|--|----|--------|---------------|--------|----|-----------|-------------------|
| QU6 Digital TV reception. Reception of digital (DVB-T) uncoded television stations (MPEG-2 standard), TV picture and Electronic Programme Guide (EPG). Facility to connect 2 external AV sources via adaptor cables (available from Audi Accessories). Please note: TV reception depends on local digital network availability. No AV or TV video output when driving (audio output available when driving). Only available in combination with MMI Navigation Plus (PNQ/WB4/WB7) | ● | ● | ● | ● | ● | £725.00 | £870.00 |
| 9WQ Audi Entertainment Mobile. A rear seat entertainment system which includes two 9" screens* supplied by Audi Genuine Accessories which can be easily fitted and includes the ability to connect modern storage devices such as Bluetooth interface, CD/DVD-drive, SD-card slot, USB-interface and AV-IN/OUT. Includes a carry case for player and accessories, remote control, table-top stand, battery for 2.5 hours' external player time, charging lead, head phones, operating instructions and a bonus DVD. The back of both front seats are fitted with mountings and wiring and the system can also be used outside the car with the rechargeable battery. Not available in combination with Super Sports seats (Q4Q) | ● | ● | ● | ● | ● | £875.00 | £1,050.00 |

Options are subject to availability and may extend delivery.

- = Not available
- = Available
- S = Standard

*Screens must be ordered by your local Audi Centre via Audi Genuine Accessories.

RRP – Recommended Retail Price.

VAT is calculated at 20% but this may alter to reflect any change in the applicable VAT rate.



Audio and communication

| Order Code | | SE | S line | Black Edition | Hybrid | S6 | Basic RRP | Total RRP inc VAT |
|------------|--|----|--------|---------------|--------|----|-----------|-------------------|
| 8RY | BOSE® surround sound - 14 speakers including centre speaker in the dashboard and subwoofer in the spare wheel well - 12-channel amplifier with a total output of over 600 watts - Acoustics specially tuned to the interior - Surround sound reproduction 5.1 (in combination with MMI Navigation Plus) and stereo recordings (CD, radio, MP3) - AudioPilot for noise-compensating volume adjustment - Powerful, precise bass reproduction | ● | ● | S | ● | ● | £833.33 | £1,000.00 |
| 8RF | Bang & Olufsen Advanced Sound System - 15 speakers including subwoofer and centre speaker, each with their own amplifier channel for genuine 5.1 surround sound - 10-channel DSP full-digital amplifier with a total output of over 1,200 watts, fully digitised and highly efficient 5-channel ICEPower amplifier for woofers and subwoofer - When switched on, two acoustic lenses extend from the dashboard for excellent sound rendition and perspective from all seats - Polished aluminium speaker covers - Acoustics specially tuned to the interior through the targeted use of tweeters, mid-range speakers and woofers - Speakers in encapsulated housings isolate music and telephone conversations within the vehicle for privacy – when making phone calls in handsfree mode, for instance - Automatic adjustment of volume to the driving situation Only available in combination with MMI Navigation Plus (PNQ/WB4/WB7). Please note that this option will reduce the boot space | ● | ● | ● | – | ● | £5,250.00 | £6,300.00 |
| PTS | Mobile telephone preparation – Low with Bluetooth and voice control. Provides handsfree connection via Bluetooth using a mobile phone aerial. Operation via MMI, the multi-function leather steering wheel or the speech dialogue system. Alternatively, it can use a cradle with charging facility for optimal reception via the external aerial, located in the front centre armrest. Cradle available at extra cost – please contact your Audi Centre for phone compatibility | ● | ● | ● | ● | ● | £145.83 | £175.00 |
| 9ZW | Mobile telephone preparation – High with Audi connect. Audi connect provides access to a number of innovative online services via an internal UMTS (3G) module. Audi connect online services include: navigation using Google Earth images and Google Street View, destination entry via Google Maps or myAudi, online point of interest search and information services such as weather forecasts and the latest world news. Audi connect also includes Audi traffic information online, which gives accurate real-time forecasts of the traffic situation along the chosen route. The traffic situation can be displayed on the navigation map or Google Earth image. Audi connect can also create a Wi-Fi hotspot in the car for convenient internet access using a mobile device (e.g. laptop or tablet). Many Audi connect features can be simply operated via MMI, the multi-function steering wheel or the voice control system. Only available in combination with MMI Navigation Plus (PNQ/WB4/WB7) | ● | ● | ● | ● | ● | £291.67 | £350.00 |
| | Important connectivity information: An external data source is required to enable the Audi connect online services. One of the two following external data sources can be used ¹ : 1. A mobile telephone with Bluetooth SIM Access Profile ² 2. A separate SIM card which can be inserted in the included SIM card reader. When a separate SIM card is used, hands free phone calls are possible using the SIM card or by connecting a different mobile telephone via Bluetooth Hands Free Profile | | | | | | | |

Options are subject to availability and may extend delivery.

- = Not available
- = Available
- S = Standard

¹Online services are only available for mobile phone contracts or SIM cards which include a data option and only within the coverage of the mobile phone network; there may be additional costs for the use of these services (charges and billing correspond to the personal mobile phone contract or SIM card contract). Due to high data volumes, a mobile phone contract including an unlimited or high usage data plan is strongly recommended. The content and scope of the online based services offered may vary.

²To check the compatibility of your mobile phone and whether it has SIM Access Profile compatibility, please visit www.audi.co.uk/owners-area/phonecompatibility.html.

RRP – Recommended Retail Price.

VAT is calculated at 20% but this may alter to reflect any change in the applicable VAT rate.

Audio and communication

Options are subject to availability and may extend delivery.

- = Not available
 • = Available
 S = Standard

RRP – Recommended Retail Price.

VAT is calculated at 20% but this may alter to reflect any change in the applicable VAT rate.

| Order Code | SE | S line | Black Edition | Hybrid | S6 | Basic RRP | Total RRP inc VAT |
|------------|----|--------|---------------|--------|----|-----------|-------------------|
| PNQ | • | • | • | S | - | £979.17 | £1,175.00 |
| | - | - | - | - | • | £812.50 | £975.00 |
| KS1 | • | • | • | - | • | £1,033.33 | £1,240.00 |

MMI Navigation Plus including MMI Touch. Hard disk navigation with topographical map display, places of interest and town models in 3D. Destinations can be entered via the speech dialogue system or MMI Touch, including 7-digit postcode recognition. The system offers three alternative routes, with the ability to scroll along the selected route and manoeuvre within the map. Includes 8" display with split-screen mode for route information, dynamic route guidance (TMC), intersection zoom function, motorway exits and lane recommendations in Driver's Information System (DIS). Incorporates MPEG4-compatible DVD player and two SDHC memory card readers (for cards of up to 32GB). Also includes vehicle support based on navigation data including: adaptation of transmission, lights and adaptive cruise control with Stop&Go function (depending on options fitted). This system is still available even when navigation is deactivated. Also available as part of the technology packages (WB4/WB7)

Head-up display. An optical system of mirrors project driving-related information directly into the driver's field of vision. To prevent ghost images, a special windscreen with a wedge-shaped film is fitted. This film measures approximately 26 x 9cm in size, and the driver perceives the display to be 2 to 2.5m beyond the windscreen. The display has many benefits:

- Helps to increase safety, convenience and driving pleasure
- Straightforward operation via MMI
- Display is height-adjustable, adjusts to ambient brightness
- High resolution of up to 480 x 240 pixels
- The following are displayed (depending on chosen option):
 - road speed
 - navigation instructions
 - adaptive cruise control status, distance from vehicle ahead and set speed
 - warning messages
 - infotainment lists
 - speed limit display



Bang & Olufsen Advanced Sound System



MMI Navigation Plus including MMI Touch



Head-up display

Interior equipment

Specify every detail of your car's interior with this range of exclusive options.

| Order Code | | SE | S line | Black Edition | Hybrid | S6 | Basic RRP | Total RRP inc VAT |
|------------|---|----|--------|---------------|--------|----|-----------|-------------------|
| 9AQ | Deluxe 4-zone automatic air conditioning. Includes front control panel with digital display, as well as separate temperature control for the driver and front passenger sides. There are additional controls with digital display in the rear with separately adjustable temperature and blower settings for right and left side (rear functions can be set from the front controls). There are also added air vents in the B-pillars and automatic recirculation by means of air quality sensor, use of residual heat, separate regulation of footwell temperature and ventilated glove compartment with a choice of 3 climates: gentle, medium and intensive | ● | ● | ● | S | S | £516.67 | £620.00 |
| QQ1 | Lighting package. Includes lighting for exterior: - Courtesy lighting on the underside of the door handles and LED door handle lighting for easy entry and exit in the dark - Automatic activation when the doors are unlocked - Active internal door reflectors Interior: - Entrance lighting - LED technology - 2 reading lights at front and rear - Front footwell - Inside door handles - Make-up lights - Storage compartment in the centre console - Ambient lighting of the centre console - Ambient reflected light for inside door trims | ● | ● | ● | ● | ● | £183.33 | £220.00 |
| QQ2 | Ambient lighting. In addition to interior and exterior lighting package (QQ1), anti-glare LED illumination for the passenger compartment. Lighting for door pockets, footwells and inside door handles, reflected lighting for centre console and door inner panels to help occupants find their way around. Surround lighting for centre console (floating effect), make-up lights at front and active door reflectors, with illuminated door sill trims (please note this will delete S line or S6 logo). Configured via MMI | ● | ● | ● | — | ● | £433.33 | £520.00 |
| 7HB | Extended leather package. Lower part of the centre console, armrests in the doors and door pull handles in leather. Only available in combination with Milano leather | ● | — | — | — | — | £429.17 | £515.00 |
| 7HE | Leather covered door armrests. Only available in combination with Valcona leather | ● | ● | ● | ● | ● | £279.17 | £335.00 |
| 2C7 | Electrically adjustable steering column. Adjustable for height and reach with auto easy entry and exit function. Only available in combination with electrically adjustable front seats (PV3/PS8) | ● | ● | ● | ● | ● | £350.00 | £420.00 |
| 3Y5 6RB | Electric sun blind for rear window, manual sun blinds for rear side windows. Only available on Saloon models | ● | ● | ● | ● | ● | £391.67 | £470.00 |
| 3Y3 6RB | Manual sun blind for rear window and rear door windows. Only available on Avant models | ● | ● | ● | — | ● | £175.00 | £210.00 |
| 6NQ | Cloth headlining in black | ● | S | S | ● | ● | £225.00 | £270.00 |
| PAC | Storage package. Consisting of 2 drink holders in the rear centre armrest, luggage net for luggage compartment and two 12V sockets in the rear | ● | ● | ● | ● | S | £87.50 | £105.00 |
| 3X2 | Through-load facility with removable ski/snowboard bag. For practical and safe transportation of long objects, e.g. up to 4 pairs of skis or 2 snowboards. Unrestricted use of the rear seats | ● | ● | ● | — | ● | £175.00 | £210.00 |

Options are subject to availability and may extend delivery.

— = Not available
 ● = Available
 S = Standard

RRP – Recommended Retail Price.

VAT is calculated at 20% but this may alter to reflect any change in the applicable VAT rate.

Interior equipment

| Order Code | | SE | S line | Black Edition | Hybrid | S6 | Basic RRP | Total RRP inc VAT |
|------------|---|----|--------|---------------|--------|----|-----------|-------------------|
| 3GN | Load-area fixing kit. Only available on Avant models. Includes fixing set for the rail system in the luggage compartment, with telescopic pole and fastening strap for dividing up the luggage compartment | ● | ● | ● | — | ● | £133.33 | £160.00 |
| 65J | Reversible luggage compartment mat (fabric/rubber). Velour on one side, rubber on the other, folds out to cover the luggage compartment | ● | ● | ● | — | ● | £91.67 | £110.00 |
| 9JC | Smoking package (cigarette lighter and ashtray). Replaces 12V socket in front | ● | ● | ● | ● | ● | No charge | No charge |

Options are subject to availability and may extend delivery.

— = Not available
 ● = Available
 S = Standard

RRP – Recommended Retail Price.

VAT is calculated at 20% but this may alter to reflect any change in the applicable VAT rate.



Deluxe 4-zone automatic air conditioning



Load-area fixing kit



Split-folding rear seats with optional through-load facility

Exterior equipment

Make sure your car looks exactly as you want it to by selecting some of our striking options.

| Order Code | | SE | S line | Black Edition | Hybrid | S6 | Basic RRP | Total RRP inc VAT |
|------------|--|----|--------|---------------|--------|----|-----------|-------------------|
| 6XG | Exterior mirrors – heated and electrically adjustable, with automatic kerb view function which tilts the passenger mirror downwards towards the kerb when reverse gear is engaged. Includes memory function. Only available in combination with electrically adjustable front seats (PV3/PS8) | ● | ● | ● | ● | S | No charge | No charge |
| 6XE | Exterior mirrors – heated and electrically adjustable and folding, with automatic kerb view function which tilts the passenger mirror downwards towards the kerb when reverse gear is engaged In combination with technology package advanced (WB7) | ● | ● | ● | ● | – | £195.83 | £235.00 |
| | | ● | ● | ● | – | – | No charge | No charge |
| 6XF | Exterior mirrors – heated, electrically adjustable and electrically folding, with automatic kerb view function which tilts the passenger mirror downwards towards the kerb when reverse gear is engaged. Includes memory function. Only available in combination with electrically adjustable front seats (PV3/PS8) In combination with technology package advanced (WB7) | ● | ● | ● | ● | ● | £195.83 | £235.00 |
| | | ● | ● | ● | – | ● | No charge | No charge |
| 6XJ | Exterior mirrors – heated, electrically adjustable and auto-dimming, with automatic kerb view function which tilts the passenger mirror downwards towards the kerb when reverse gear is engaged | ● | ● | ● | ● | – | £229.17 | £275.00 |
| 6XM | Exterior mirrors – heated, electrically adjustable and auto-dimming, with automatic kerb view function which tilts the passenger mirror downwards towards the kerb when reverse gear is engaged. Includes memory function. Only available in combination with electrically adjustable front seats (PV3/PS8) | ● | ● | ● | ● | ● | £229.17 | £275.00 |
| 6XK | Exterior mirrors – heated, electrically adjustable, electrically folding and auto-dimming, with automatic kerb view function which tilts the passenger mirror downwards towards the kerb when reverse gear is engaged In combination with technology package advanced (WB7) | ● | ● | ● | ● | – | £429.17 | £515.00 |
| | | ● | ● | ● | – | – | £233.33 | £280.00 |
| 6XL | Exterior mirrors – heated, electrically adjustable, electrically folding and auto-dimming, with automatic kerb view function which tilts the passenger mirror downwards towards the kerb when reverse gear is engaged. Includes memory function. Only available in combination with electrically adjustable front seats (PV3/PS8) In combination with technology package advanced (WB7) | ● | ● | ● | ● | ● | £429.17 | £515.00 |
| | | ● | ● | ● | – | ● | £233.33 | £280.00 |
| 4KF | Privacy glass. Dark-tinted rear and rear-side windows (from B-pillar backwards) | ● | ● | S | ● | ● | £325.00 | £390.00 |
| PDW | Heat/sound-insulating glass with privacy glass. Windscreen and front side windows made of heat/sound-insulating glass. Rear and rear side windows feature tinted standard single-layer safety glass. The visible Vehicle Identification Number is displayed on the windscreen. Also includes a clear area in the upper section of the driver's side windscreen for toll road pass tags. Please consult your Audi Centre for more details. Only available in combination with mobile phone preparation Low (PT5) or High (9ZW) | ● | ● | – | ● | ● | £708.33 | £850.00 |
| PDV | Heat/sound-insulating glass. Windscreen, front side windows and rear side windows made of heat/sound-insulating glass. Rear window features standard single-layer safety glass. The visible Vehicle Identification Number is displayed on the windscreen. Also includes a clear area in the upper section of the driver's side windscreen for toll road pass tags. Please consult your Audi Centre for more details. Only available in combination with mobile phone preparation Low (PT5) or High (9ZW). Not available in combination with privacy glass (4KF) | ● | ● | – | ● | ● | £875.00 | £1,050.00 |
| 1D4 | Tow bar. Ball head and ball joint coupling made from forged steel. Mechanically swivelling ball head, operated via Bowden cable, with indicator light on Bowden cable and display in instrument cluster to monitor secure attachment of trailer towing hitch; includes trailer stabilisation system via the Electronic Stability Control (ESC). Includes single European 13-pin electrics socket and may require a 13- to 7-pin adaptor. Please consult your Audi Centre for details* | ● | ● | ● | – | ● | £687.50 | £825.00 |

Options are subject to availability and may extend delivery.

– = Not available
● = Available
S = Standard

*Additional wiring is required for auxiliary equipment.

RRP – Recommended Retail Price.

VAT is calculated at 20% but this may alter to reflect any change in the applicable VAT rate.

Exterior equipment

| Order Code | | SE | S line | Black Edition | Hybrid | S6 | Basic RRP | Total RRP inc VAT |
|------------|---|----|--------|---------------|--------|----|-----------|-------------------|
| 3FE | Slide-and-tilt sunroof. Only available on Saloon models, with tinted single-glazed safety glass and infinitely adjustable sun shield, integral wind deflector and convenient closing from outside via the central locking and the radio-operated remote control | ● | ● | ● | S | ● | £791.67 | £950.00 |
| 3FU | Panoramic glass sunroof. Only available on Avant models. Comprises two sections, where the front glass section can be tilted or slid open and closed again electrically. Includes electrically operated sun blind for the front and rear passengers. Can also be closed from the outside via the central locking | ● | ● | ● | — | ● | £1,020.83 | £1,225.00 |
| GZ2 | Power door closure. Automatically pulls doors that are not completely engaged into the lock | ● | ● | ● | ● | ● | £516.67 | £620.00 |
| 4E7 | Power-operated boot lid for Saloon models. Opens by pressing the button on the radio-operated remote control key, the button in the driver's door panel or the soft-touch button in the tailgate handle recess; closed by a button on the inside of the tailgate, button in the driver's door or with optional Advanced key (PGD) press and hold. Includes power-assisted closing | ● | ● | ● | ● | ● | £358.33 | £430.00 |
| 4ZD | Black styling package. Includes radiator grille frame and radiator grille struts in high-gloss black, radar sensor surrounds (if fitted) in the side ventilation grille in high-gloss black, radiator grille in matt black, front side grilles in matt black, number plate holder in matt black, window capping strips and side profile roof trim strip in high-gloss black. Avant models include roof rails in matt black (3S2) | ● | ● | S | ● | — | £537.50 | £645.00 |
| 2Z0 | Removal of model and technology designation | ● | ● | ● | ● | ● | No charge | No charge |
| 2Z7 | Removal of technology designation | ● | ● | ● | ● | — | No charge | No charge |

Options are subject to availability and may extend delivery.

- = Not available
- = Available
- S = Standard

RRP – Recommended Retail Price.

VAT is calculated at 20% but this may alter to reflect any change in the applicable VAT rate.



Exterior mirrors



Panoramic glass sunroof (Avant models only)

Safety and security

Intelligent technology designed to give you better all-round awareness and safety on the road.

Options are subject to availability and may extend delivery.

- = Not available
- = Available
- S = Standard

RRP – Recommended Retail Price.

VAT is calculated at 20% but this may alter to reflect any change in the applicable VAT rate.

| Order Code | | SE | S line | Black Edition | Hybrid | S6 | Basic RRP | Total RRP inc VAT |
|------------|---|----|--------|---------------|--------|----|-----------|-------------------|
| 8X1 | Headlight washer system | • | S | S | • | S | £179.17 | £215.00 |
| 8N7 | High-beam assist. Variable headlight range control featuring a camera on the interior mirror which registers sources of light from other road users. The range and width of the headlight beam are continuously varied between dipped and main beam to suit ambient conditions, ensuring that the headlights provide good visibility without dazzling other road users | • | • | • | • | • | £116.67 | £140.00 |
| PXB | Bi-Xenon headlights with adaptive light and high-beam assist. With LED daytime-running lights, LED tail lights and headlight washers. Includes swivelling headlights for improved illumination of a winding road, and dynamic cornering light function which pivots the headlights based on the movement of the steering wheel (operational between speeds of approximately 6mph and 68mph). Turning-light function is activated when indicator is switched on (up to speeds of 45mph). The headlights have three different light distribution modes: town light, motorway light, or country light, which are adjusted according to speed or via navigation route data (if fitted with MMI navigation plus with MMI touch - PNQ). Additional functionality via navigation-based vehicle support includes junction light, which provides a wide front light setting, as well as travel mode, which switches between right and left-hand drive modes assisted by GPS data. High-beam assist automatically adjusts headlights from high-beam to dipped-beam when another vehicle is approaching or when other ambient lighting is detected (i.e street lights) by a camera on the interior mirror. Not available in combination with all-LED headlights (PX2) | • | - | - | • | - | £1,045.83 | £1,255.00 |
| | | - | • | • | - | • | £500.00 | £600.00 |
| PX2 | All-LED headlights including high-beam assist. LEDs for all front lighting functions. LED technology provides lower energy consumption and enhanced contrast with a colour similar to daylight, for increased safety and good recognition by other road users. Includes all-weather light function to reduce the risk of the driver being dazzled when visibility is poor (in fog, rain or snow), turning light function which is activated when indicator is switched on (up to speeds of 45mph), and an additional motorway light which automatically increases headlight range at speeds above approximately 68mph. Also includes high-beam assist which automatically adjusts headlights from high-beam to dipped-beam when another vehicle is approaching or when other ambient lighting is detected (i.e. street lights) by a camera on the interior mirror. Not available in combination with Bi-Xenon headlights with adaptive light and high-beam assist (PXB) | • | - | - | • | - | £2,083.33 | £2,500.00 |
| | | - | • | • | - | • | £1,050.00 | £1,260.00 |



Adaptive headlights



All-LED headlights including high-beam assist

Safety and security

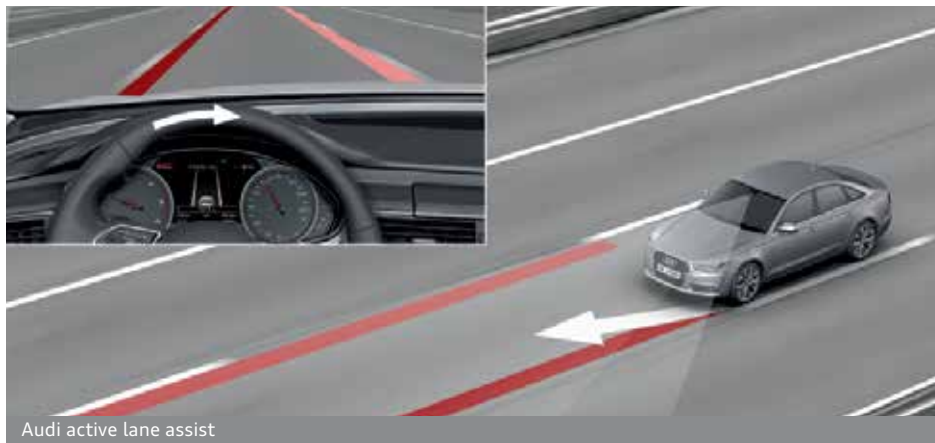
| Order Code | | SE | S line | Black Edition | Hybrid | S6 | Basic RRP | Total RRP inc VAT |
|------------|--|----|--------|---------------|--------|----|-----------|-------------------|
| 7W1 | Pre-sense basic. Audi pre-sense is a comprehensive technical package for identifying dangers well in advance and intervening appropriately. Pre-sense basic networks the different vehicle systems, enabling driving situations to be categorised and, where necessary, actions to be taken to protect the driver and passengers. These include: belt tightening, activating the hazard warning system, closing the windows and the sunroof (if fitted) | • | • | • | • | • | £216.67 | £260.00 |
| PCB | Audi active lane assist. Helps the driver to stay in lane with gentle steering impulses for greater safety and convenience, particularly on motorways and country roads: - Informs driver if the car is drifting out of lane unintentionally above approximately 37mph - Driver has the choice of two system settings in the MMI: - Early steering intervention – continuously helps the driver to stay in lane with steering impulses that centre the vehicle in its lane - Late steering intervention – alerts the driver that the vehicle is possibly crossing the lane markings, at the same time as providing a corrective steering prompt - Additional warning in the form of vibrating steering wheel when lane markings are crossed, if specified by driver - Camera identifies individual or coloured lane markings, e.g. yellow lines at roadworks - Additional indication in head-up display (if selected as an option) | • | • | • | • | • | £333.33 | £400.00 |
| PCH | Audi side assist including pre-sense rear. Aids the driver when changing lane. Audi side assist monitors the area behind your car, using radar sensors located discreetly in the rear bumper, informing the driver with a visual warning signal in the door mirror if there is a vehicle in their blind spot or approaching quickly from behind. The system is activated using a button in the driver's door and works at speeds above 19mph. The airbags are also pre-conditioned. Only available in combination with electrically folding door mirrors (6XL/6XE/6XK/6XF) | • | • | • | • | • | £437.50 | £525.00 |
| PCD | Audi side assist including pre-sense rear and Audi active lane assist. Includes all the features of Audi side assist (PCH) plus pre-sense rear and Audi active lane assist (PCB). Only available in combination with electrically folding door mirrors (6XL/6XE/6XK/6XF) | • | • | • | • | • | £770.83 | £925.00 |

Options are subject to availability and may extend delivery.

- = Not available
- = Available
- S = Standard

RRP – Recommended Retail Price.

VAT is calculated at 20% but this may alter to reflect any change in the applicable VAT rate.



Audi active lane assist



Audi side assist

Safety and security

Intelligent technology designed to give you better all-round awareness and safety on the road.

*Where the law permits.

Options are subject to availability and may extend delivery.

- = Not available
 • = Available
 S = Standard

RRP – Recommended Retail Price.

VAT is calculated at 20% but this may alter to reflect any change in the applicable VAT rate.

| Order Code | | SE | S line | Black Edition | Hybrid | S6 | Basic RRP | Total RRP inc VAT |
|------------|--|----|--------|---------------|--------|----|-----------|-------------------|
| PCG | Adaptive cruise control (ACC) with Stop&Go function including pre-sense front. Automatic distance regulation, using radar sensors to maintain required distance by braking and accelerating. Four programs (distance 1 to distance 4) set via steering column controls of the cruise control system. Works at speeds between 0 and 155mph* and also includes Audi braking guard – a system which triggers a visual and acoustic alarm when it detects the risk of a rear end collision with the vehicle in front. In addition, the airbags are pre-conditioned if a crash is sensed and the system is prepared to assist with the necessary braking force once the brake pedal is touched. Only available in combination with colour Driver's Information System (9Q8) and, on SE models, Bi-Xenon or all-LED lights (PXB/PX2). Not available in combination with manual transmission | • | • | • | – | • | £1,108.33 | £1,330.00 |
| PCN | Adaptive cruise control with Stop&Go function, Audi side assist and Audi active lane assist with pre-sense plus. Includes all of the features of PCG and PCD plus Audi pre-sense plus which, in a situation where a collision is inevitable, allows full brake application to try to lessen the impact of the collision. Only available in combination with electrically folding door mirrors (6XL/6XE/6XK/6XF), colour Driver's Information System (9Q8) and on SE models Bi-Xenon or all-LED lights (PXB/PX2). Not available in combination with manual transmission | • | • | • | – | • | £1,879.17 | £2,255.00 |
| 7X5 | Park assist. Searches for suitable parking spaces along the road by means of ultrasonic sensors, calculates the ideal parking path and performs the steering action virtually automatically. Steering is done by the vehicle; the driver need only accelerate and apply the brakes. Only available in combination with colour Driver's Information System (9Q8) | • | • | • | • | • | £341.67 | £410.00 |
| KA2 | Audi parking system advanced with reversing camera. An image of the area behind the vehicle is shown on the MMI display, with dynamic display modes showing the calculated path (steer-angle dependent); includes help lines, guidelines and identification of the point at which to apply opposite lock when parallel parking. The reversing camera is concealed in the handle strip of the tailgate | • | • | • | – | • | £333.33 | £400.00 |



Adaptive cruise control



Park assist



Safety and security

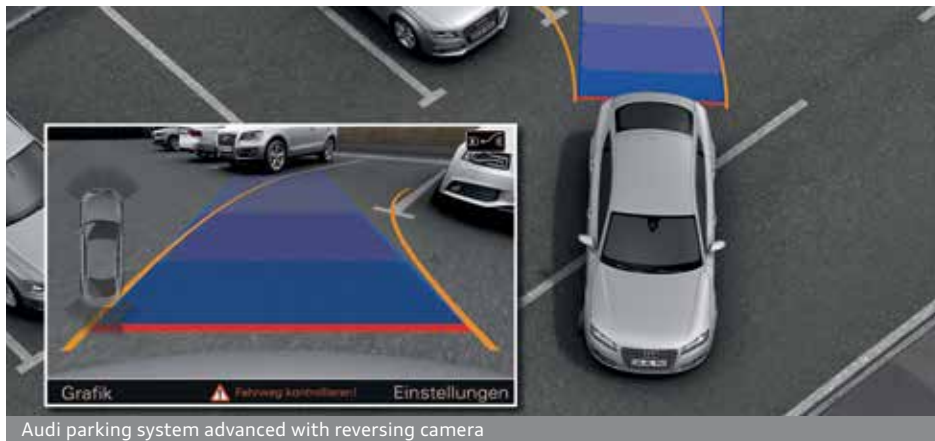
| Order Code | SE | S line | Black Edition | Hybrid | S6 | Basic RRP | Total RRP inc VAT |
|--|----|--------|---------------|--------|----|-----------|-------------------|
| KA6 Audi parking system advanced with top view. Aids parking and manoeuvring using 4 cameras. Cameras are mounted in the front grille, the handle of the boot lid and the housing of the two exterior mirrors. The driver can choose between different image representations in the MMI display, including a live "bird's eye view" image for parking. Only available in combination with memory mirrors (6XF/6XG/6XL/6XM), electrically adjustable front seats (PV3/PS8) and MMI Navigation Plus (PNQ/WB4/WB7) | - | • | • | - | • | £750.00 | £900.00 |
| QR9 Speed limit display. The prevailing speed limit can be read on the Driver's Information System (DIS). Should the camera fail to see a sign properly, the speed limit from the data for the navigation system will be shown instead. The advantages: - Display of the speed limits currently registered, which can be called up in the Driver's Information System at any time - Display can be called up in every instrument cluster view and in the head-up display (optional equipment) - Camera-based system is also capable of detecting temporary speed restrictions in roadworks and on digital displays (e.g. over motorways) within the system limits - Display of national speed limits for Western European countries Only available in combination with MMI Navigation Plus (PNQ/WB4/WB7), and with Audi active lane assist (PCB), Audi side assist (PCD) or Adaptive cruise control (PCG/PCN) | • | • | • | • | • | £208.33 | £250.00 |
| 9R1 Night vision assistant with pedestrian detection. A thermal imaging camera (remote infrared with resolution of 320 x 240 pixels) registers heat dissipation in front of the vehicle and represents this image in the Driver's Information System (DIS). Image recognition software highlights people detected in the darkness in yellow, and if the system classifies them as being at risk, a warning bell is sounded and the image changes to red. If combined with Bi-Xenon headlights with adaptive light and high-beam assist (PXB) the person detected is also illuminated by the headlights three times in succession to alert them to the danger. Warning can also be shown in Head-up display (KS1) if ordered. System operation may be restricted in too much ambient light, high humidity and high night temperatures (over 28°C). Only in combination with colour Driver's Information System (DIS) (9QB) and on SE and hybrid models only in combination with Bi-Xenon or all-LED lights (PXB/PX2) | • | • | • | • | • | £1,258.33 | £1,510.00 |

Options are subject to availability and may extend delivery.

- = Not available
• = Available
S = Standard

RRP – Recommended Retail Price.

VAT is calculated at 20% but this may alter to reflect any change in the applicable VAT rate.



Safety and security

Intelligent technology designed to give you better all-round awareness and safety on the road.

Options are subject to availability and may extend delivery.

- = Not available
• = Available
S = Standard

*Homelink® is a registered trademark of Johnson Controls. For information on compatibility, visit www.homelink.com

RRP – Recommended Retail Price.

VAT is calculated at 20% but this may alter to reflect any change in the applicable VAT rate.

| Order Code | | SE | S line | Black Edition | Hybrid | S6 | Basic RRP | Total RRP inc VAT |
|------------|--|--------|--------|---------------|--------|----|-----------|-------------------|
| PGD | Advanced key with non-electric hands-free boot opening system - Saloon models only. Access and authorisation system that works through automatic data exchange between key and vehicle, allowing the driver to keep their car key in their pocket or bag at all times. To unlock and open, simply lift the exterior door handle. The door is locked by pressing the button on the handle. Pressing the start/stop button integrated in the centre console starts and stops the engine. Featuring a non-electric hands-free boot lid release sensor located underneath the rear bumper, which can be operated by a simple kicking movement underneath the sensor | • | • | • | • | • | £479.17 | £575.00 |
| PGB | Advanced key with electric hands-free boot opening system and power-operated boot lid for Saloon and Avant models. Access and authorisation system that works through automatic data exchange between key and vehicle, allowing the driver to keep their car key in their pocket or bag at all times. To unlock and open, simply lift the exterior door handle. The door is locked by pressing the button on the handle. Pressing the start/stop button integrated in the centre console starts and stops the engine. Also includes an electric hands-free boot lid release sensor located underneath the rear bumper, which can be operated by a simple kicking movement underneath the sensor. The power-operated boot lid opens by using either the hands-free sensor with kicking movement or by pressing the button on the radio-operated remote control key, the button in the driver's door panel or the soft-touch button in the tailgate handle recess. The boot lid is then electrically closed by a button on the inside of the tailgate, button in the driver's door or press and hold the radio-operated remote control key. Avant models come with power-operated boot lid as standard. | Saloon | • | • | • | • | £837.50 | £1,005.00 |
| | Avant | • | • | • | – | • | £479.17 | £575.00 |
| VC1 | Garage door opener (HomeLink®*). Programmable radio remote control, with buttons integrated into the front roof module; can be used for opening garages and exterior gates | • | • | • | – | • | £204.17 | £245.00 |
| 4X4 | Rear side airbags. For the outer rear seats, incorporated into the seat backrests; supplement the side impact protection in the doors and the head airbag system | • | • | • | • | • | £312.50 | £375.00 |
| 7G9 | Tracking preparation. Fitting for the connection of a tracking assistant, which enables the vehicle to be located if stolen | • | • | • | • | S | £91.67 | £110.00 |
| OM5 | 75-litre fuel tank | • | • | • | – | S | £95.83 | £115.00 |





Advanced key with electric hands-free boot opening system and power-operated boot lid

Steering wheels

| Order Code | | SE | S line | Black Edition | Hybrid | S6 | Basic RRP | Total RRP inc VAT |
|------------|--|----|--------|---------------|--------|----|-----------|-------------------|
| 2ZM | 4-spoke leather-trimmed multi-function steering wheel – heated (no paddles) | ● | – | – | ● | – | £33.33 | £40.00 |
| 1XW | 3-spoke leather-trimmed multi-function Sports steering wheel (manual models only) | ● | S | S | – | – | £95.83 | £115.00 |
| 1XX | 3-spoke leather-trimmed multi-function Sports steering wheel with gear-shift paddles (automatic models only) | ● | S | S | ● | S | £95.83 | £115.00 |
| 1XT | 3-spoke leather-trimmed multi-function Sports steering wheel – heated, with gear-shift paddles (automatic models only) | ● | – | – | ● | – | £262.50 | £315.00 |
| | | – | ● | ● | – | ● | £166.67 | £200.00 |

Options are subject to availability and may extend delivery.

- = Not available
- = Available
- S = Standard

RRP – Recommended Retail Price.

VAT is calculated at 20% but this may alter to reflect any change in the applicable VAT rate.





Looking after your Audi

When you've chosen your ideal model, it's reassuring to know that it will remain in safe hands. That's why we've created products to protect your Audi, from extended warranties to Audi Complete – our comprehensive service and maintenance package. And there's also a range of Audi accessories and merchandise to choose from, enabling you to further enhance and safeguard your car.





Audi Complete

Audi Complete is simply a way to look after the servicing and maintenance costs for your Audi in a single package. You pay a one-off or monthly fee and we'll cover all your servicing, maintenance and tyres for the next three years including your first MOT. It means you only have to pay for fuel, insurance and your Road Fund Licence. So you can be reassured that your car will be maintained by trained Audi Technicians, using genuine Audi parts. You can also opt for our Service only or Service and Maintenance packages if you prefer.

*Retail customers only. Pricing based on 3 years/30,000 miles (whichever occurs sooner). All pricing is a 'starting from' price for the Audi A6 model range and is therefore subject to change and mileage/model dependent.

Warranty

Options are subject to availability and may extend delivery.

- = Not available
• = Available
S = Standard

**Only available prior to registration of your A6. Please speak to your Audi Centre for full details.

RRP – Recommended Retail Price.

VAT is calculated at 20% but this may alter to reflect any change in the applicable VAT rate.

| Order Code | | A6 | Hybrid | S6 | Basic RRP | Total RRP inc VAT |
|------------|---|----|--------|----|-----------|-------------------|
| - | Audi Complete – Service Only. Comprehensive care for your Audi covering all your servicing for 3 years. Visit your local Audi Centre for further information or audi.co.uk/audicomplete for full details including terms and conditions | • | - | - | £14.17 | £17.00* |
| | | - | - | • | £28.33 | £34.00* |
| - | Audi Complete – Service and Maintenance. Comprehensive care for your Audi covering all your servicing and maintenance for 3 years, as well as your first MOT. Visit your local Audi Centre for further information or audi.co.uk/audicomplete for full details including terms and conditions | • | - | - | £20.00 | £24.00* |
| | | - | - | • | £40.00 | £48.00* |
| - | Audi Complete – Service, Maintenance and Tyres. Comprehensive care for your Audi covering all your servicing, maintenance and tyres for 3 years, as well as your first MOT. Visit your local Audi Centre for further information or audi.co.uk/audicomplete for full details including terms and conditions | • | - | - | £29.17 | £35.00* |
| | | - | - | • | £65.83 | £79.00* |

| Order Code | | A6 | Hybrid | S6 | Basic RRP | Total RRP inc VAT |
|------------|---|----|--------|----|-----------|-------------------|
| - | Audi Warranty. Covering you for unlimited mileage in the first 2 years of ownership, and up to 60,000 miles in the third year. Transferable between owners** | • | • | • | No charge | No charge |
| EA6 | Audi Warranty. Covering you for up to 4 years or 75,000 miles, whichever comes soonest. Cover includes a 2-year unlimited mileage warranty, and up to 75,000 miles in the third and fourth years. Transferable between owners** | • | - | • | £466.67 | £560.00 |
| EA9 | Audi Warranty. Covering you for up to 5 years or 90,000 miles, whichever comes soonest. Cover includes a 2-year unlimited mileage warranty, and up to 90,000 miles in the third, fourth and fifth years. Transferable between owners** | • | - | • | £1,112.50 | £1,335.00 |

Accessories

Choosing an Audi isn't just a matter of deciding on the model you want; it's about creating a car that suits your needs perfectly. That's why we've developed a whole range of accessories to enhance your A6, enabling you to customise it down to the last detail. Like your Audi, all these accessories are developed to the highest possible standards. They're all available exclusively from Audi. To find out more, just visit your local Audi Centre.

Warranty

All the accessories available on the A6 are covered by a three-year warranty* if they are ordered and included in the purchase price of the car at date of delivery. Any accessories ordered and installed after delivery include a two-year warranty.*

*Excluding Road Angel products.

Audi Accessories warranty terms and conditions can be found at audi.co.uk



Merchandise

From the enthusiasts' motorsport collection to the sophisticated Audi collection, there's a wide variety of adults' and children's clothing, lifestyle accessories and collectables, all of which bear the Audi name.

Please speak to a member of our team at your local Audi Centre to see the full Audi collection and to place an order. A selection of Audi merchandise is also available to buy from audi.co.uk/merchandise.



Audi Difference

The experts in Vorsprung durch Technik

Our Audi Approved Master Technicians have undergone an impressive 100,000 hours of training over a 10-year programme to ensure they have the latest technical expertise for maintaining and servicing your Audi. All our Service Advisors undergo a specialist induction and training to ensure they are Audi professionals and able to talk to you about any issues you may have with your Audi vehicle.

Servicing tailored to your needs

Regular servicing is key to safeguarding your Audi's performance and a full Audi service history could help you enhance the future re-sale value. To make servicing easy, the Audi Service Schedules have been designed to work with your individual driving style and vehicle.

We offer two different schedules: the fixed Inspection Service and the variable LongLife Service schedule. The conventional fixed Inspection Service schedule has fixed intervals for the Oil-change Service and Inspection Service, which are determined by time and distance.

With the variable LongLife Service schedule, the Inspection Service intervals are also fixed but the Oil-change Service intervals are variable. Sensors take account of driving style and conditions to determine when the Oil-change Service is required and the driver is informed via the on-board service interval display.

The choice of Service Schedule will depend on journey type and mileage as well as individual driving style and conditions. The table to the right can be used for guidance but your Audi Centre will help you to determine the most suitable Service schedule for you based on your individual circumstances and preferences.

Fixed Inspection Service Schedule

| | Vehicle usage: |
|--------------------|---|
| Mileage | Less than 10,000 miles per annum Mainly city/town centre driving. Short journeys. |
| | Service Intervals: |
| Oil-change Service | Fixed to every 9,000+ miles/1 year |
| Inspection Service | Fixed to every 19,000+ miles/2 years |

Variable LongLife Service Schedule

| | Vehicle usage: |
|--------------------|---|
| Mileage | More than 10,000 miles per annum Motorway and main road driving. Mainly longer distance journeys. Constant speeds. |
| | Service Intervals: |
| Oil-change Service | Variable to a maximum of every 19,000+ miles/2 years |
| Inspection Service | Fixed to every 19,000+ miles/2 years |

When a vehicle is frequently used in the following conditions, we recommend a Fixed Inspection Service Schedule, regardless of mileage:

Uneconomical driving styles, e.g. heavy acceleration and braking, constant use of high revs

High engine-loading conditions, e.g. frequent towing and hill climbs

*As indicated by the service interval display. Mileages are approximate as the Service Indicator system uses kilometres as its distance measurement.

Your convenience comes first

At Audi you can choose from a range of convenient services that suit your needs. Why not book a 'service while you wait' appointment* and enjoy our complimentary refreshments while your car is with us? Or, if you need to be mobile, take advantage of one of our courtesy cars which we can even deliver to you.* We guarantee we can service your Audi within 5 days without a courtesy car or within 10 days if you need transport. We will also ensure your car is returned to you with a full valet.

Audi Genuine Parts

You can rest assured that only Audi Genuine Parts will be used on your vehicle. What's more, Audi parts and labour come with a 2-year guarantee.**

No hidden costs

We believe strongly in transparency when it comes to our prices. For added peace of mind, we will give you a quotation over the phone for the work you have requested and email you the price confirmation. We'll consult you if any additional work on your car is needed when it is with us. We won't carry out any extra work without asking your permission first.

All part of the service

Whenever we see an Audi for a service, we connect it directly to our headquarters in Ingolstadt which enables us to check your car's software and make sure it's as up-to-date as possible. If the factory has released a software upgrade for your model, it can be applied immediately - improving anything from your car's efficiency to the precision of its parking system.

Audi Roadside Assistance

Your new car comes complete with 3 years' complimentary roadside assistance and recovery across the UK, provided by RAC Motoring Services. Also included is roadside assistance throughout Europe, managed by RAC Motoring Services.

For further information and terms and conditions please visit audi.co.uk.

* Subject to availability.

**Excludes wear and tear.



A6 Saloon technical data

Diesel

| Engine | 2.0 TDI | 2.0 TDI | 3.0 TDI | 3.0 TDI | 3.0 TDI quattro | 3.0 BitDI quattro |
|---|----------------|---------------------|----------------|---------------------|------------------|-------------------|
| Transmission | 6-speed manual | 8-speed multitronic | 6-speed manual | 8-speed multitronic | 7-speed S tronic | 8-speed tiptronic |
| Cylinder | 4-cylinder | 4-cylinder | 6-cylinder | 6-cylinder | 6-cylinder | 6-cylinder |
| Displacement, cubic cm (valves per cylinder) | 1968 (4) | 1968 (4) | 2967 (4) | 2967 (4) | 2967 (4) | 2967 (4) |
| Max. power, ¹ PS at rpm | 177/4200 | 177/4200 | 204/3750-4500 | 204/3750-4500 | 245/4000-4500 | 313/3900-4500 |
| Max. torque, Nm at rpm | 380/1750-2500 | 380 /1750-2500 | 400/1250-3500 | 400/1250-3500 | 580/1750-2500 | 650/1450-2800 |
| Top speed, mph | 141 | 138 | 150 | 149 | 155* | 155* |
| 0-62mph acceleration, seconds | 8.7 | 8.2 | 7.6 | 7.2 | 6.1 | 5.1 |
| CO ₂ emissions ² , g/km | 129 | 132 | 139 | 133 | 156 | 166 |
| Benefit in kind (BIK)% | 20% | 21% | 22% | 21% | 26% | 28% |
| Fuel consumption ² , mpg (l/100km) Urban | 47.1 (6.0) | 47.1 (6.0) | 43.5 (6.5) | 48.7 (5.8) | 39.2 (7.2) | 35.8 (7.9) |
| Fuel consumption ² , mpg (l/100km) Extra Urban | 64.2 (4.4) | 64.2 (4.4) | 64.2 (4.4) | 61.4 (4.6) | 54.3 (5.2) | 51.4 (5.5) |
| Fuel consumption ² , mpg (l/100km) Combined | 57.6 (4.9) | 56.5 (5.0) | 53.3 (5.3) | 55.4 (5.1) | 47.9 (5.9) | 44.8 (6.3) |
| ABI insurance group 1-50 ³ | 27 E | 27 E | 30 E | 30 E | 37 E | 39 E |
| Unladen weight, ³ kg | 1575 | 1585 | 1625 | 1645 | 1720 | 1790 |
| Gross weight limit, kg | 2155 | 2165 | 2205 | 2225 | 2330 | 2400 |
| Roof load limit/nose weight, kg | 100/85 | 100/85 | 100/85 | 100/85 | 100/85 | 100/85 |
| Max trailer load unbraked, ⁴ kg | 750 | 750 | 750 | 750 | 750 | 750 |
| Max trailer load with 12% gradient, ⁴ kg | 1600 | 1600 | 1800 | 1800 | 2000 | 2100 |
| Max trailer load with 8% gradient, ⁴ kg | 1800 | 1800 | 1900 | 1900 | 2100 | 2100 |
| Luggage compartment capacity, rear seats upright, litres | 530 | 530 | 530 | 530 | 530 | 530 |
| Fuel tank capacity approx, litres | 65 | 65 | 65 | 65 | 65 | 65 |
| Emission standard | EU5 | EU5 | EU5 | EU5 | EU5 | EU5 |

*Electronically limited

¹Highest insurance group rating shown. Group may be lower dependent on trim level. Please visit www.thatcham.org/abigrouprating for details.

²The given value was obtained in accordance with the specified measurement procedure (the respective current version of the Directive 80/1269/EEC).

³Fuel consumption and CO₂ emissions figures are obtained under standardised test conditions (Directive 93/116/EEC) using a representative model. This allows direct comparison between different models from different manufacturers, but may not represent the actual fuel consumption achieved in 'real world' driving conditions. More information is available at www.vca.gov.uk.

⁴Vehicle's unladen weight without driver (calculated in accordance with the current version of Directive 80/1268/EEC). The fitting of additional equipment may increase the vehicle's unladen weight and drag coefficient, whereupon the potential carrying capacity and top speed will be correspondingly reduced.

⁵The engine's power output always goes down with increasing altitude. At 1,000m above sea level, and for every additional 1,000m, deduct 10% from the weight of the outfit (trailer load limit + gross weight of the towing vehicle).

Please note: The maximum power output figures are quoted in PS (or Pferdestärke, which is the metric equivalent of brake horsepower). To convert to brake horsepower, divide the PS figure by 1.0139.

A6 Avant technical data

Diesel

| Engine | 2.0 TDI | 2.0 TDI | 3.0 TDI | 3.0 TDI | 3.0 TDI quattro | 3.0 BiTDI quattro |
|---|----------------|---------------------|----------------|---------------------|------------------|-------------------|
| Transmission | 6-speed manual | 8-speed multitronic | 6-speed manual | 8-speed multitronic | 7-speed S tronic | 8-speed tiptronic |
| Cylinder | 4-cylinder | 4-cylinder | 6-cylinder | 6-cylinder | 6-cylinder | 6-cylinder |
| Displacement, cubic cm (valves per cylinder) | 1968 (4) | 1968 (4) | 2967 (4) | 2967 (4) | 2967 (4) | 2967 (4) |
| Max. power, ¹ PS at rpm | 177/4200 | 177/4200 | 204/3750-4500 | 204/3750-4500 | 245/4000-4500 | 313/3900-4500 |
| Max. torque, Nm at rpm | 380/1750-2500 | 380 /1750-2500 | 400/1250-3500 | 400/1250-3500 | 580/1750-2500 | 650/1450-2800 |
| Top speed, mph | 138 | 134 | 144 | 143 | 151 | 155* |
| 0-62mph acceleration, seconds | 9.0 | 8.5 | 7.9 | 7.4 | 6.3 | 5.3 |
| CO ₂ emissions ² , g/km | 132 | 135 | 139 | 136 | 156 | 166 |
| Benefit in kind (BIK)% | 21% | 22% | 22% | 22% | 26% | 28% |
| Fuel consumption ² , mpg (l/100km) Urban | 46.3 (6.1) | 46.3 (6.1) | 43.5 (6.5) | 47.9 (5.9) | 39.2 (7.2) | 35.8 (7.9) |
| Fuel consumption ² , mpg (l/100km) Extra Urban | 62.8 (4.5) | 62.8 (4.5) | 64.2 (4.4) | 60.1 (4.7) | 54.3 (5.2) | 51.4 (5.5) |
| Fuel consumption ² , mpg (l/100km) Combined | 56.5 (5.0) | 55.4 (5.1) | 53.3 (5.3) | 54.3 (5.2) | 47.9 (5.9) | 44.8 (6.3) |
| ABI insurance group 1-50 ³ | 27 E | 27 E | 30 E | 30 E | 37 E | 39 E |
| Unladen weight, ³ kg | 1640 | 1650 | 1690 | 1705 | 1790 | 1855 |
| Gross weight limit, kg | 2350 | 2360 | 2320 | 2415 | 2500 | 2485 |
| Roof load limit/nose weight, kg | 100/85 | 100/85 | 100/85 | 100/85 | 100/85 | 100/85 |
| Max trailer load unbraked, ⁴ kg | 750 | 750 | 750 | 750 | 750 | 750 |
| Max trailer load with 12% gradient, ⁴ kg | 1600 | 1600 | 1800 | 1800 | 2000 | 2100 |
| Max trailer load with 8% gradient, ⁴ kg | 1800 | 1800 | 1900 | 1900 | 2100 | 2100 |
| Luggage compartment capacity, rear seats upright, litres | 565 | 565 | 565 | 565 | 565 | 565 |
| Fuel tank capacity approx, litres | 65 | 65 | 65 | 65 | 65 | 65 |
| Emission standard | EU5 | EU5 | EU5 | EU5 | EU5 | EU5 |

*Electronically limited

¹Highest insurance group rating shown. Group may be lower dependent on trim level. Please visit www.thatcham.org/abigrouprating for details.

²The given value was obtained in accordance with the specified measurement procedure (the respective current version of the Directive 80/1269/EEC).

³Fuel consumption and CO₂ emissions figures are obtained under standardised test conditions (Directive 93/116/EEC) using a representative model. This allows direct comparison between different models from different manufacturers, but may not represent the actual fuel consumption achieved in 'real world' driving conditions. More information is available at www.vca.gov.uk.

⁴Vehicle's unladen weight without driver (calculated in accordance with the current version of Directive 80/1268/EEC). The fitting of additional equipment may increase the vehicle's unladen weight and drag coefficient, whereupon the potential carrying capacity and top speed will be correspondingly reduced.

⁵The engine's power output always goes down with increasing altitude. At 1,000m above sea level, and for every additional 1,000m, deduct 10% from the weight of the outfit (trailer load limit + gross weight of the towing vehicle).

Please note: The maximum power output figures are quoted in PS (or Pferdestärke, which is the metric equivalent of brake horsepower). To convert to brake horsepower, divide the PS figure by 1.0139.

A6 hybrid technical data

| | Hybrid |
|---|-------------------|
| Engine | 2.0 TFSI |
| Transmission | 8-speed tiptronic |
| Cylinder | 4 |
| Displacement, cubic cm (valves per cylinder) | 1984 |
| Max. power, ¹ PS at rpm | 245/4300-6000 |
| Max. torque, Nm at rpm | 480/1500-4200 |
| Top speed, mph | 149 |
| 0-62mph acceleration, seconds | 7.5 |
| CO ₂ emissions ² , g/km | 145 |
| Benefit in kind (BIK)% | 21% |
| Fuel consumption ² , mpg (l/100km) Urban | 45.6 (6.2) |
| Fuel consumption ² , mpg (l/100km) Extra Urban | 45.6 (6.2) |
| Fuel consumption ² , mpg (l/100km) Combined | 45.6 (6.2) |
| ABI insurance group 1-50 ⁺ | 32 E |
| Unladen weight, ³ kg | 1770 |
| Gross weight limit, kg | 2320 |
| Roof load limit/nose weight, kg | 100/85 |
| Max trailer load unbraked, ⁴ kg | 750 |
| Max trailer load with 12% gradient, ⁴ kg | 1500 |
| Max trailer load with 8% gradient, ⁴ kg | 1700 |
| Luggage compartment capacity, rear seats upright, litres | 375 |
| Fuel tank capacity approx, litres | 73 |
| Emission standard | EU5 |

*Electronically limited

¹Highest insurance group rating shown. Group may be lower dependent on trim level. Please visit www.thatcham.org/abigrouprating for details.

²The given value was obtained in accordance with the specified measurement procedure (the respective current version of the Directive 80/1269/EEC).

³Fuel consumption and CO₂ emissions figures are obtained under standardised test conditions (Directive 93/116/EEC) using a representative model. This allows direct comparison between different models from different manufacturers, but may not represent the actual fuel consumption achieved in 'real world' driving conditions. More information is available at www.vca.gov.uk.

⁴Vehicle's unladen weight without driver (calculated in accordance with the current version of Directive 80/1268/EEC). The fitting of additional equipment may increase the vehicle's unladen weight and drag coefficient, whereupon the potential carrying capacity and top speed will be correspondingly reduced.

⁵The engine's power output always goes down with increasing altitude. At 1,000m above sea level, and for every additional 1,000m, deduct 10% from the weight of the outfit (trailer load limit + gross weight of the towing vehicle).

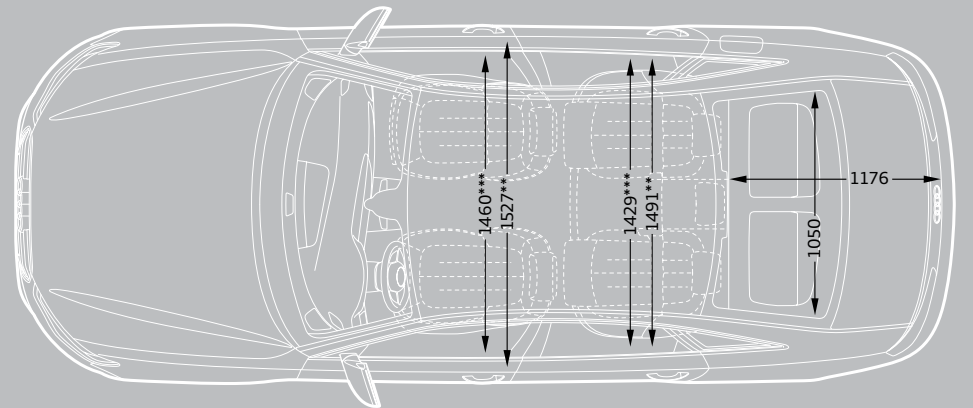
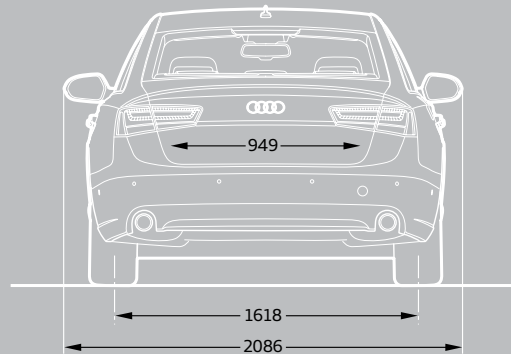
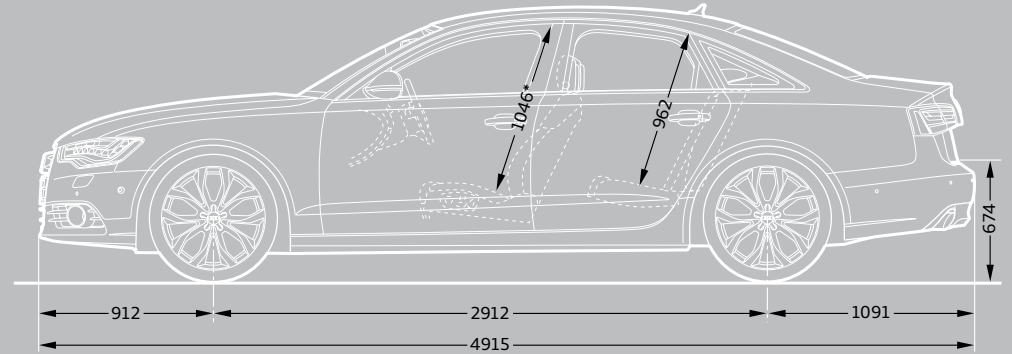
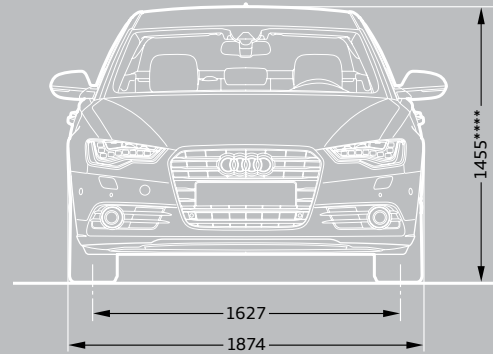
Please note: The maximum power output figures are quoted in PS (or Pferdestärke, which is the metric equivalent of brake horsepower). To convert to brake horsepower, divide the PS figure by 1.0139.

S6 technical data

| | Saloon | Avant |
|---|------------------|------------------|
| Engine | 4.0 TFSI quattro | 4.0 TFSI quattro |
| Transmission | 7-speed S tronic | 7-speed S tronic |
| Cylinder | V8 | V8 |
| Displacement, cubic cm (valves per cylinder) | 3993 | 3993 |
| Max. power, ¹ PS at rpm | 420/5500-6400 | 420/5500-6400 |
| Max. torque, Nm at rpm | 550/1400-5200 | 550/1400-5200 |
| Top speed, mph | 155* | 155* |
| 0-62mph acceleration, seconds | 4.6 | 4.7 |
| CO ₂ emissions ² , g/km | 225 | 226 |
| Benefit in kind (BIK)% | 35% | 35% |
| Fuel consumption ² , mpg (l/100km) Urban | 21.1 (13.4) | 21.1 (13.4) |
| Fuel consumption ² , mpg (l/100km) Extra Urban | 37.7 (7.5) | 37.7 (7.5) |
| Fuel consumption ² , mpg (l/100km) Combined | 29.4 (9.6) | 29.1 (9.7) |
| ABI insurance group 1-50 ⁺ | 42 E | 42 E |
| Unladen weight, ³ kg | 1895 | 1950 |
| Gross weight limit, kg | 2505 | 2580 |
| Roof load limit/nose weight, kg | 100/85 | 100/85 |
| Max trailer load unbraked, ⁴ kg | 750 | 750 |
| Max trailer load with 12% gradient, ⁴ kg | 2100 | 2100 |
| Max trailer load with 8% gradient, ⁴ kg | 2100 | 2100 |
| Luggage compartment capacity, rear seats upright, litres | 530 | 565 |
| Fuel tank capacity approx, litres | 75 | 75 |
| Emission standard | EU5 | EU5 |

A6 Saloon dimensions

The technical drawings opposite show the exact dimensions of the Audi A6 Saloon, so you can check everything – from whether the car will fit in your garage to whether your luggage will fit in the boot.



*Maximum headroom.

**Elbow room width.

***Shoulder room width.

****Vehicle height with roof aerial 1,468mm.

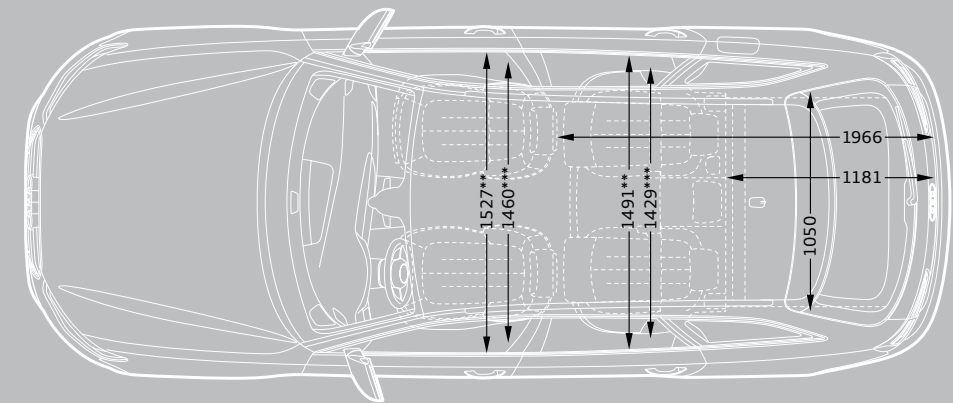
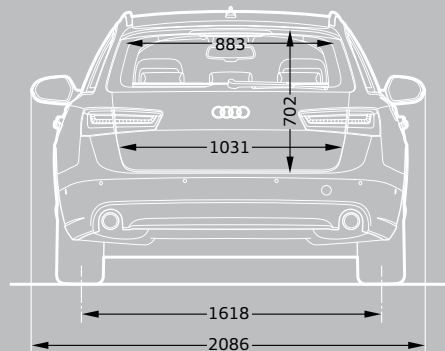
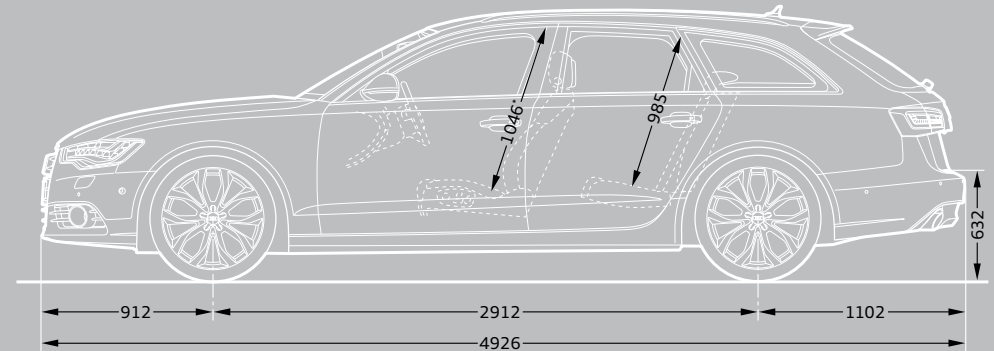
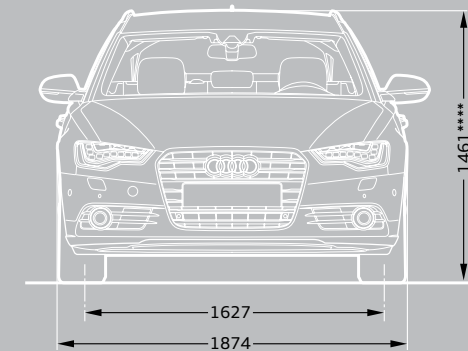
Dimensions in millimetres.

Turning circle approx 11.9m.

Dimensions were measured with vehicle at unladen weight. Luggage compartment volume in litres: 530/995 (measured by the VDA standard test method using 200 x 100 x 50mm blocks; second value: with rear seat folded down).

A6 Avant dimensions

The technical drawings opposite show the exact dimensions of the Audi A6 Avant, so you can check everything – from whether the car will fit in your garage to whether your luggage will fit in the boot.



*Maximum headroom.

**Elbow room width.

***Shoulder room width.

****Vehicle height with roof aerial 1,468mm.

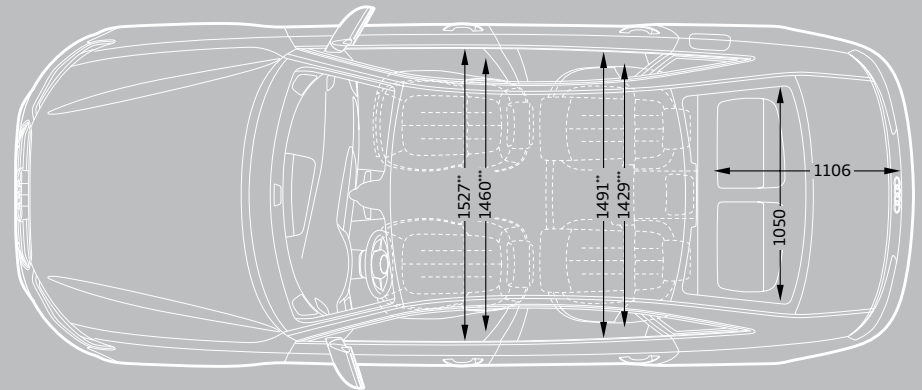
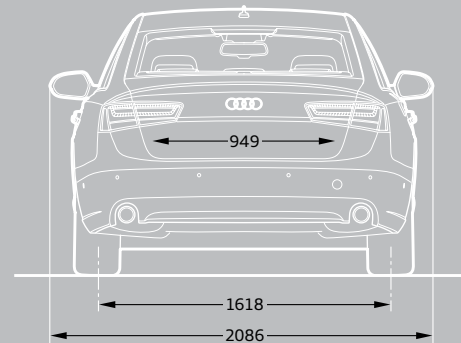
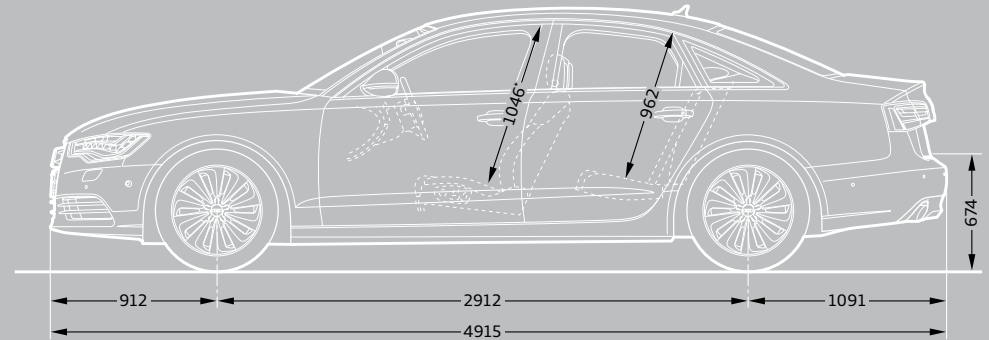
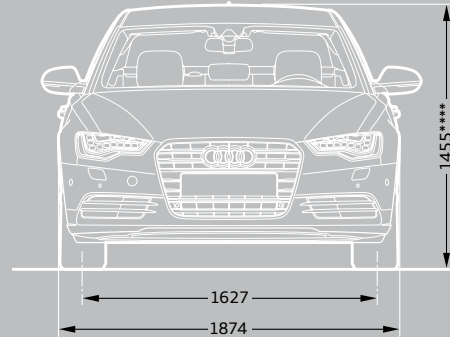
Dimensions in millimetres.

Turning circle approx 11.9m.

Dimensions were measured with vehicle at unladen weight. Luggage compartment volume in litres: 565/1680 (measured by the VDA standard test method using 200 x 100 x 50mm blocks; second value: with rear seat folded down).

A6 hybrid dimensions

The technical drawings opposite show the exact dimensions of the Audi A6 hybrid, so you can check everything – from whether the car will fit in your garage to whether your luggage will fit in the boot.



*Maximum headroom.

**Elbow room width.

***Shoulder room width.

****Vehicle height with roof aerial 1,468mm.

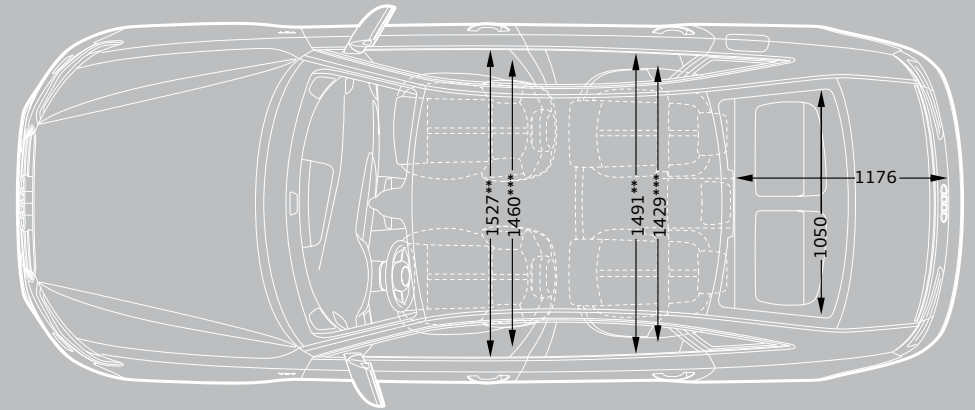
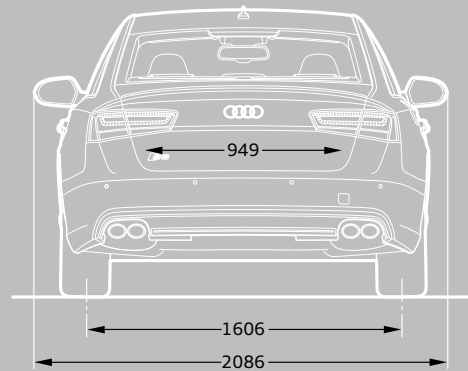
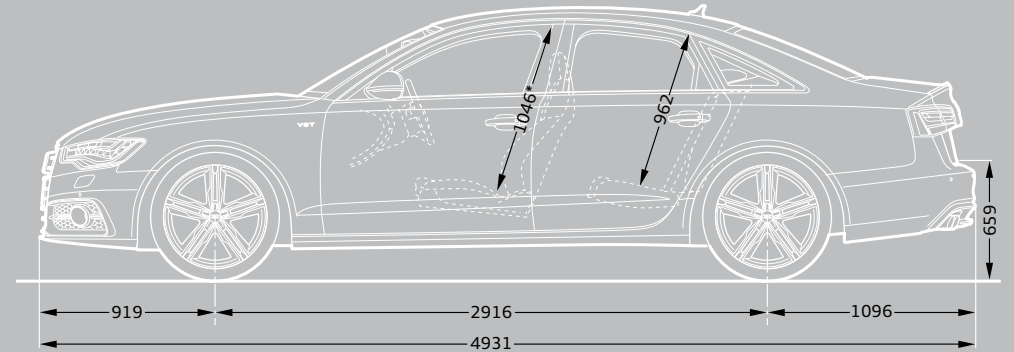
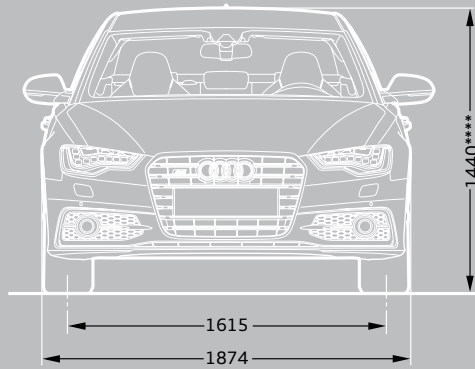
Dimensions in millimetres.

Turning circle approx 11.9m.

Dimensions were measured with vehicle at unladen weight. Luggage compartment volume in litres: 375/850 (measured by the VDA standard test method using 200 x 100 x 50mm blocks; second value: with rear seat folded down).

S6 Saloon dimensions

The technical drawings opposite show the exact dimensions of the Audi S6 Saloon, so you can check everything – from whether the car will fit in your garage to whether your luggage will fit in the boot.



*Maximum headroom.

**Elbow room width.

***Shoulder room width.

****Vehicle height with roof aerial 1,468mm.

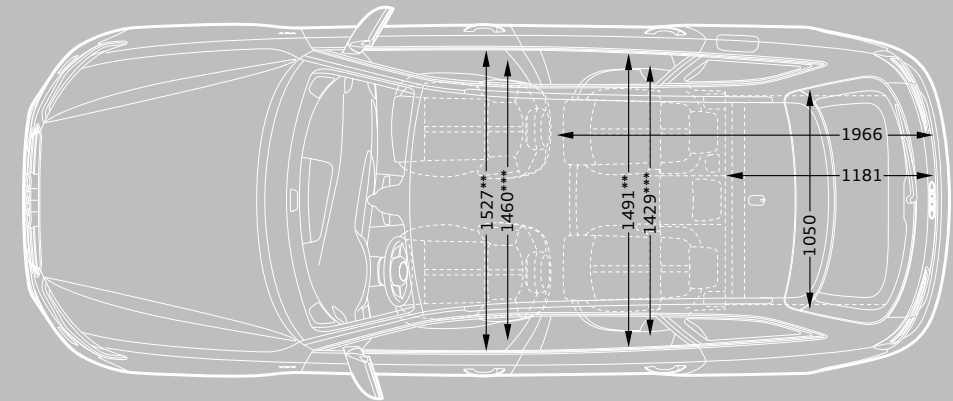
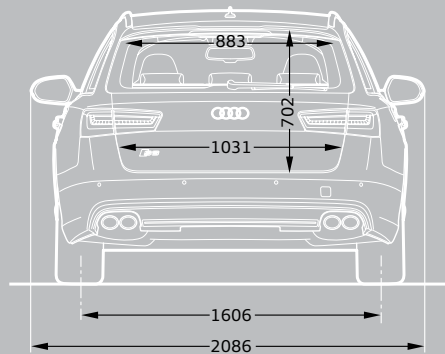
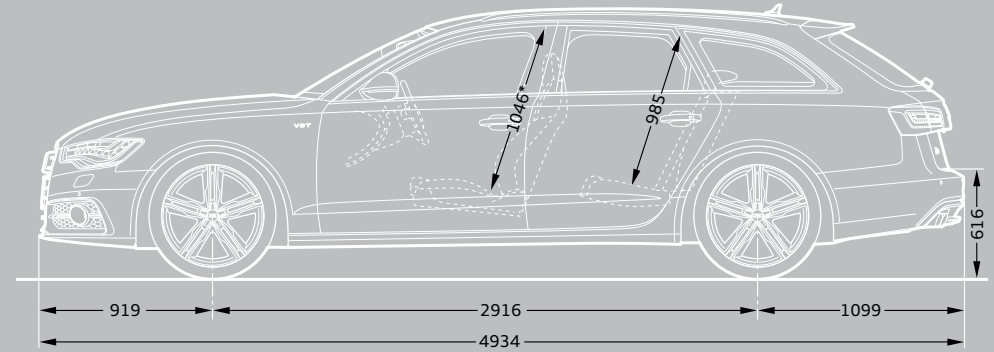
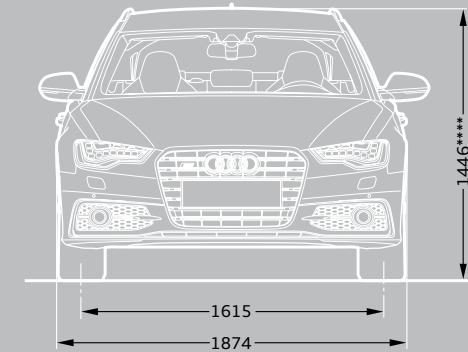
Dimensions in millimetres.

Turning circle approx 11.9m.

Dimensions were measured with vehicle at unladen weight. Luggage compartment volume in litres: 530/995 (measured by the VDA standard test method using 200 x 100 x 50mm blocks; second value: with rear seat folded down).

S6 Avant dimensions

The technical drawings opposite show the exact dimensions of the Audi S6 Avant, so you can check everything – from whether the car will fit in your garage to whether your luggage will fit in the boot.



*Maximum headroom.

**Elbow room width.

***Shoulder room width.

****Vehicle height with roof aerial 1,468mm.

Dimensions in millimetres.

Turning circle approx 11.9m.

Dimensions were measured with vehicle at unladen weight. Luggage compartment volume in litres: 565/1680 (measured by the VDA standard test method using 200 x 100 x 50mm blocks; second value: with rear seat folded down).

Pricing and Additional information

Welcome to Audi

By placing an order for your Audi, you're choosing to get behind the wheel of one of the most sophisticated cars on the road. And because we believe the service we offer should be just as advanced, we want to let you know exactly what you can expect from us, now and in the future.

We've agreed a set of standards with all our Centres which governs the way we do business with you. It outlines the kind of service we promise to deliver for every customer, right down to filling each new Audi we sell with half a tank of fuel.

So whether you're interested in the date your car will arrive in the UK or the way we'll dispose of non-biodegradable materials after we service your Audi, you can have total confidence in us.

Audi Promise

Audi Centres

We guarantee that all our Centres will be open as follows:

Sales: Monday to Friday 9am–6pm
Saturday 9am–5pm

Service: Monday to Friday 8am–6pm
Saturday 8.30am–1pm

Sunday opening is at local discretion.

New car delivery

Once we've confirmed a delivery date for your car, we'll keep you informed of progress. Subject to reasonable notice, we'll then deliver it to a place of your choice, whether that's your home or work. In the unlikely event of a delay, we'll provide a courtesy car to minimise inconvenience and keep you mobile.

Environmental commitment

We promise to dispose of all non-biodegradable materials from your vehicle in a responsible manner.

Pricing

Prices and specifications given are correct at the time of printing. Always check details with your Audi Centre as Audi policies are continually developing. We reserve the right to change prices or specifications at any time.

All prices are subject to VAT, currently charged at 20%, but this may alter to reflect any change in the applicable VAT rate.

Delivery charges and number plates are not included in the vehicle price.

| | |
|-----------------|---------|
| Delivery charge | £471.66 |
| Number plate | £20.00 |
| VAT | £98.34 |
| Total | £590.00 |

Audi Customer Care

Every new Audi benefits from the comprehensive Audi Customer Care Package, which comprises:

- ▶ A 3-year Audi warranty, which covers you for unlimited mileage in the first 2 years of ownership, with a full mechanical and electrical warranty which covers you for up to 60,000 miles in the 3rd year
- ▶ A 3-year paint warranty
- ▶ A 12-year anti-corrosion warranty
- ▶ 3 years' UK roadside assistance and recovery

You also have the option when ordering your new car of choosing a 4-year or 5-year Audi warranty. Speak to a member of the sales team for more information.

Audi tax-free sales

If you are entitled to purchase a vehicle free of VAT, normally through military or diplomatic privilege, please contact your local Audi Centre for full details.

Should you have any difficulty obtaining the information you require, please call Freephone 0800 585878.

Audi Finance

Audi Finance specialises in providing funding solutions for Audi drivers. Whether your Audi is for private or business use, there is a range of funding options to choose from.

Below is the full range of finance products, which comprises:

- ▶ Solutions – a Personal Contract Plan
- ▶ Hire purchase
- ▶ Lease purchase
- ▶ Finance lease
- ▶ Contract hire

With all products, you can choose a fixed-cost maintenance plan designed to help you budget accurately.

No matter which Audi model you choose, your local Audi Centre can provide you with a personalised quote designed to fit your budget and motoring needs.

Audi Finance is a trading name of Volkswagen Financial Services (UK) Limited. An offer of finance depends on certain conditions. Available to people over 18 in the UK only.

Audi Insurance

We want you to start enjoying your new car from day one and thanks to Audi Insurance complimentary 7-day cover, you can. Call free on 0800 316 7893 (lines are open Monday to Friday 8am - 9pm, and Saturday 9am - 5pm), provide a few details and a cover note will be sent to your Audi Centre. They will then tax your car and you can drive it away.

Additional information

CO₂ data and information

CO₂ emissions-based Vehicle Excise Duty

Vehicle Excise Duty (Road Fund Licence) is based upon the amount of Carbon Dioxide (CO₂) a vehicle emits, measured in grams per kilometre (g/km). First year VED rates apply to the first year of ownership. Annual VED rates apply thereafter. The DVLA has created thirteen categories:

| Petrol and Diesel engines | First year | Annual rate (second year onwards) |
|---------------------------|------------|-----------------------------------|
| A – up to 100g/km | £0.00 | £0.00 |
| B – 101 to 110g/km | £0.00 | £20.00 |
| C – 111 to 120g/km | £0.00 | £30.00 |
| D – 121 to 130g/km | £0.00 | £105.00 |
| E – 131 to 140g/km | £125.00 | £125.00 |
| F – 141 to 150g/km | £140.00 | £140.00 |
| G – 151 to 165g/km | £175.00 | £175.00 |
| H – 166 to 175g/km | £285.00 | £200.00 |
| I – 176 to 185g/km | £335.00 | £220.00 |
| J – 186 to 200g/km | £475.00 | £260.00 |
| K – 201 to 225g/km | £620.00 | £280.00 |
| L – 226 to 255g/km | £840.00 | £475.00 |
| M – over 255g/km | £1,065.00 | £490.00 |

Vehicle Excise Duty (VED) rates correct at time of going to print, but these may alter to reflect any change in the applicable VED rate







Audi UK
Customer Services
Selectapost 29
Sheffield
S97 3FG
0800 699888
audi.co.uk

Specifications and prices subject
to change without notice.

© Audi (UK)

Printed in the UK
Edition 2.0 05/13
2014 model year

Images are for illustrative purposes only.

