



The Audi TT RS

Pricing and Specification Guide
Valid from May 2013

Personalising your Audi TT RS

This guide has been designed to help you tailor and price your Audi TT RS quickly and logically. At the back, you will find information on CO2 emissions-based taxation and the other services offered by Audi, including Finance and Insurance. You can also configure your Audi TT RS online at audi.co.uk.

Audi Vision

To accompany this printed guide, we've created Audi Vision – an intuitive app that lets you find out even more about the Audi TT RS. Compatible with Apple and Android phones and tablets, Audi Vision gives you exclusive access to images, information and video content – all of which is designed to help you explore and understand the options available with this model.

You'll see the Audi Vision logo printed next to the page number on pages throughout this guide and wherever you do, you'll be able to view additional content on that page.



The Audi TT RS

Engine	12
Transmission and brakes	13
Efficiency	14
quattro®	16

Model details and prices

Standard model equipment	20
TT RS plus model equipment	22
Model prices	24

Audi exclusive

26

Colour and upholstery

Paint and hood colours	28
Upholstery	32
Seats	36
Colour and trim guide	37

Inlays

40

Options

Wheels, tyres and suspension	44
Performance	47
Packages	48
Audio and communication	50
Interior equipment	52
Exterior equipment	54
Safety and security	56

Looking after your Audi

Audi Complete and warranty	58
Merchandise	61
Audi Difference	62

Technical details

Technical data	63
Dimensions	65
Pricing and Additional information	67





Vorsprung durch Technik

Three words that express the very essence of Audi. Vorsprung durch Technik isn't a slogan. It's our way of seeing the world. It is the driving force behind our history of innovation that continues into the 21st century. Indeed, many technologies that Audi pioneered remain in our cars today. Some are milestones in the history of

the motorcar. From our beginnings in 1899, to the Auto Union team's Grand Prix successes in the 1930s and our more recent wins at Le Mans, we have always been at the forefront of the motor industry.

Vorsprung durch Technik makes us who we are. To see more of its influence, just read on.





The Audi TT RS combines high performance and iconic design

The Audi TT RS has a turbocharged 2.5-litre TFSI® engine that delivers 340PS and 450 Nm of torque – making it the most powerful TT we’ve ever produced. In the TT RS plus, performance increases further still – to 360PS and 465 Nm of torque. Lowered suspension and special spring/damper settings provide outstanding handling, and advanced aerodynamics ensure precise stability at all times. A high-performance chassis and quattro® all-wheel-drive complete this exhilarating sports car.









TT RS interior story

We've introduced a number of finishing touches to the Audi TT RS interior to make your driving experience both comfortable and unique. You'll find an impressive attention to detail in everything from the front Sports seats to the optional luxurious leather upholstery which means that every journey you make will be a personal one.

Engine

2.5 TFSI® engine

This five-cylinder engine combines a turbocharger with FSI® direct petrol injection, confirming the status of the Audi TT RS as a high-performance sports car. The 2.5-litre TFSI® engine is ultra-compact. Just 49 centimetres in length and weighing 183 kilograms, it's perfectly suited for transverse installation in the Audi TT RS. The crankcase is made of vermicular-graphite cast iron – a high-tech material that is both strong and lightweight. Perfectly placed reinforcements enhance the block's loading, while the cylinder head, pistons, and connecting rods are also low on weight, but high on tensile strength.





Transmission and brakes

The Audi TT RS offers a fast-shifting manual transmission for smooth, efficient acceleration and a high-performance braking system to ensure this car stops as well as it goes.

Short-shift manual transmission

For fast, crisp gear changes in a sporty, manual set-up, the Audi TT RS comes with short-shift manual transmission as standard. This simple yet effective gear-change pattern means that the gearstick has a shorter distance to travel between each shift-gate, minimising the effort you have to make with each up or down-shift, whilst maximising your driving enjoyment.

S tronic®

Driving is all about thinking ahead, which is just what the S tronic® dual-clutch transmission does. It works almost as two separate systems, one engaging the odd-numbered and the other the even-numbered gears. So when you're accelerating in second, it has third gear waiting for you. And once you make the switch, it's already thinking about fourth. With two clutches working together, you can change gears almost instantly while experiencing smooth, uninterrupted power.

High-performance braking system

We created the 18-inch high-performance braking system in the Audi TT RS with safety and control in mind. It features four-piston brake callipers painted in black with the RS logo on the front axle, as well as ventilated brake discs (370mm in diameter) at the front, drilled and designed using composite materials. All these features help the system to provide good stability even when the car is carrying a heavy load.

Efficiency

At Audi, doing less is something we're trying to do more of. We're working to use less fuel, release less CO₂ and waste less energy. It's why we've incorporated a number of more efficient technologies into the Audi TT RS.

Aerodynamics

When it comes to efficiency, a car's shape matters. It's something we kept in mind when we created the TT RS, giving it a smooth, flowing design. As a result, its drag coefficient – a measure of aerodynamic resistance, which affects both fuel consumption and CO₂ emissions – remains surprisingly low.

TFSI®

Inside the engine of the Audi TT RS you'll find the same advanced fuel-injection technology that's driven us to win after win at Le Mans. With TFSI®, fuel is injected directly into the engine's chambers so that combustion is timed right down to the millisecond. As a result, waste is minimised and you get the most from every last drop of fuel.



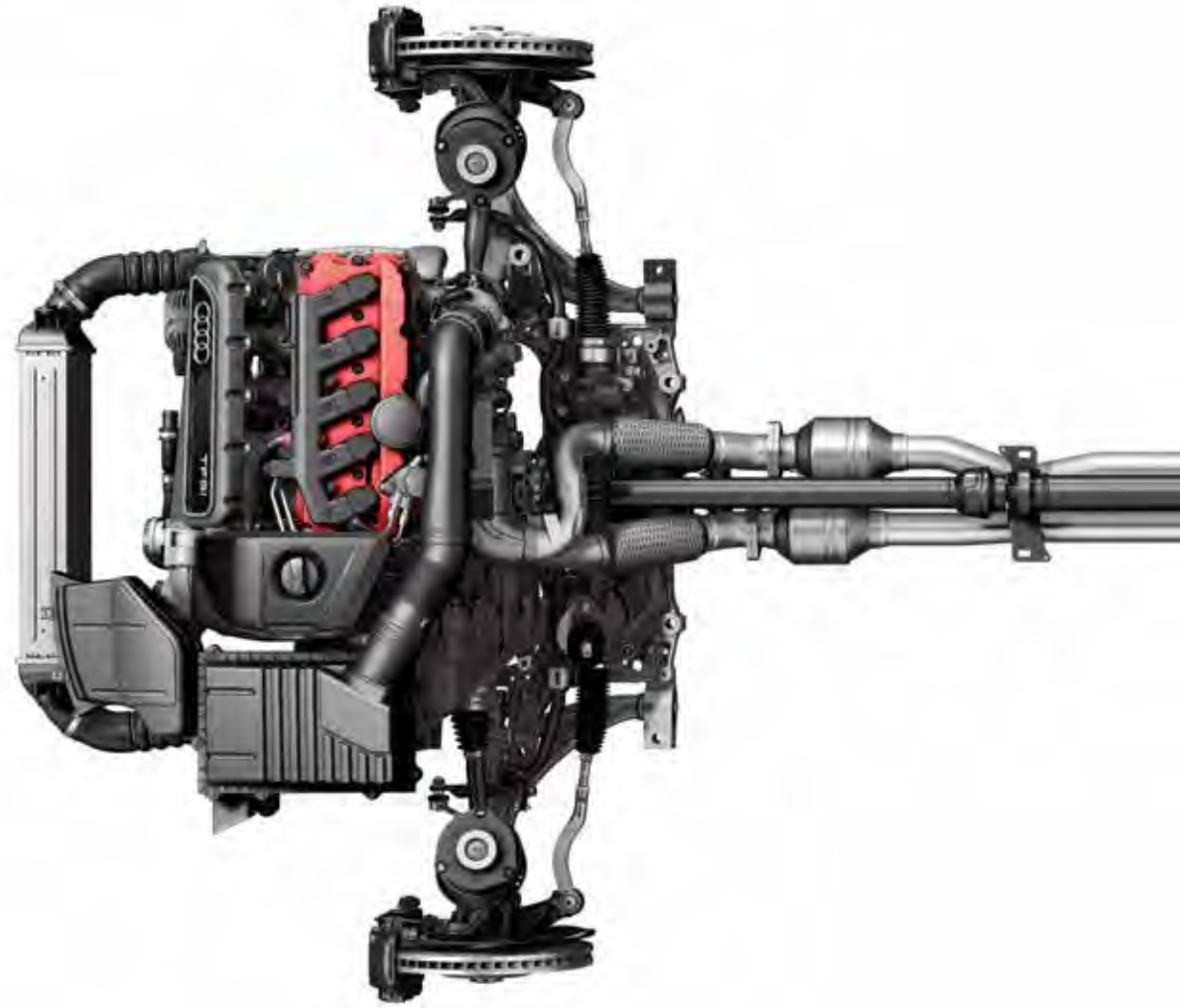


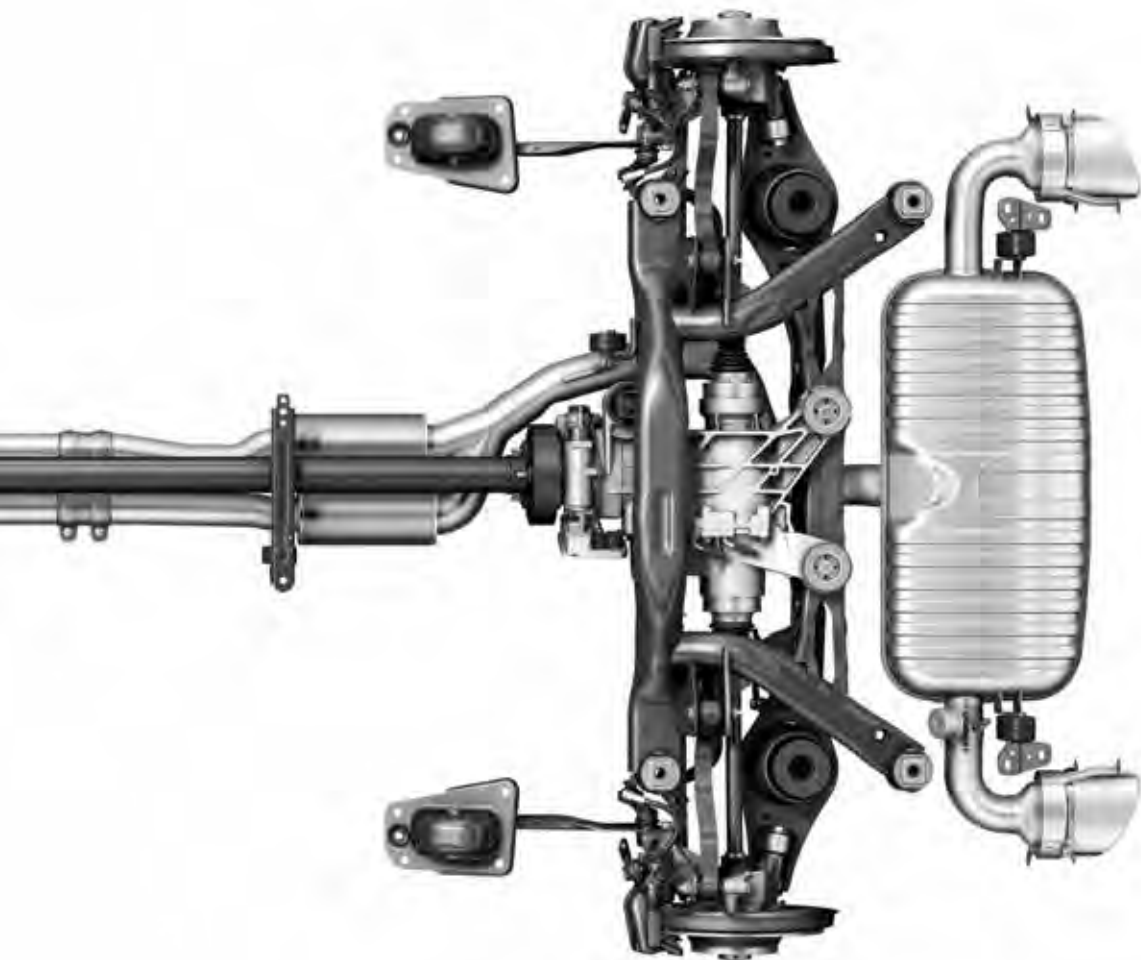
Audi Space Frame®

The TT RS features an aluminium Audi Space Frame® which is rigid, strong and incredibly light – keeping the car's weight down to a minimum. It means that as well as improving safety and agility, it also helps reduce fuel consumption.

quattro®

It's the technology that has given Audi the edge on the rally circuit ever since it was first introduced over 30 years ago – a technology that delivers ultimate control whilst enhancing the sporty characteristics which make the Audi TT RS so thrilling to drive. It's called quattro® all-wheel-drive. The principle is simple: in the same way that four brakes ensure better deceleration, four permanently-driven wheels deliver better acceleration and road-holding, pushing or pulling the car as needed, for a driving experience that's both dynamic and safe.





In the Audi TT RS, asymmetric dynamic torque distribution continuously distributes drive power between the front and rear axles, depending on weather conditions, road surface and gradient. This leads to greater flexibility and an enhanced, sportier drive.





Standard model equipment

All TT RS models have the following items of standard equipment

Wheels, tyres and suspension

18" '5-double-spoke' design alloy wheels

TT RS Sports suspension with dynamically tuned spring/damper combination and modified responsiveness

Tyre Mobility System

Seats

Front Sports seats in Silk Nappa leather with contrasting stitching

Heated seats

Driver and front passenger manual seat height adjustment

Audio and communication

Concert radio. AM/FM twin tuner with TP memo function. Single front-loading CD player with MP3 compatibility. Active front and rear speakers. Includes AUX-IN socket

Mobile telephone preparation – Bluetooth interface provides handsfree connection via Bluetooth using mobile phone aerial. Please contact your Audi Centre for phone compatibility

Safety and security

TT RS 18" high-performance braking system: diagonally split, anti-lock (ABS) with electronic brake-force distribution (EBS), hydraulic brake assist, adapted brake booster characteristics, front brake discs in composite design, ventilated rear discs, black painted brake callipers (ventilated and drilled), with RS logo on front callipers

Anti-lock Braking System (ABS)

Anti-Slip Regulation (ASR) – traction control

Anti-theft device – Thatcham Category 1 approved

Driver and front passenger airbags

Electronic Differential Lock (EDL) – traction control

Electronic Stability Programme (ESP) – with Sport mode

First-aid kit

Front ISOFIX and front passenger airbag deactivation switch

Locking wheel bolts

Roll-over protection bars (Roadster only)

Servotronic – electromechanical, speed-sensitive, power-assisted steering

Side airbags for front seats

Tool kit and car jack

Warning triangle

Exterior equipment

Door mirrors – electrically operated and heated

Electric front windows

Fixed rear spoiler

Grille in high-gloss black diamond design with one-piece decorative trim frame in matt aluminium look

Matt aluminium-look door mirror housings

Rear fog lights

Door sills with TT RS logo

Sill extensions

TT RS front and rear bumpers

Twin oval exhaust tailpipes

Xenon headlights with LED daytime-running lights and headlight washer system



Xenon Plus headlights



Fixed rear spoiler



Twin oval exhaust tailpipes



18" '5-double-spoke' design alloy wheels

Interior equipment

Matt-brushed aluminium interior detailing

Door armrest, instrument panel cover and side of centre console in Black Fine Nappa leather with contrasting Silver stitching

Black perforated leather handbrake grip

Black perforated leather and aluminium gear lever with TT RS logo

Driver's Information System (DIS) with additional functionality: oil pressure, lap timer and turbo boost pressure

Electronic climate control

Front floor mats with leather Silver piping to match seat centres

Fully automatic electrically-operated soft-top which opens in 12 seconds, with integrated wind deflector (Roadster only)

Instrument dials in grey with white illumination and TT RS logo

Short-shift manual transmission

TT RS 3-spoke perforated leather 'flat-bottomed' multi-function steering wheel with TT RS badge

Sport button in the centre console – pressing the button alters the throttle response and exhaust valve control, which in turn alters the exhaust note, as well as changing the damper characteristics of Audi magnetic ride (if ordered) for more dynamic suspension tuning

Split-folding rear seats (Coupé only)



TT RS plus model equipment

In addition to TT RS standard equipment

More power, faster and more dynamic, but it's not just performance that sets the TT RS plus apart. You'll also find a range of advanced technologies and exclusive design cues throughout that help define this remarkable model.

Wheels, tyres and suspension

19" x 9J '5-arm Rotor' design titanium finish alloy wheels with 255/35 R19 tyres

Performance

Carbon design package for engine bay

Engine power increased by 20PS, from 340PS to 360PS

Sports exhaust – Matt black, oval-shaped dual exhaust pipes which subtly alter the sound of the TT RS plus engine

Top speed restrictor increase – 174mph*

Exterior equipment

Grille in anthracite with matt aluminium frame

Carbon door mirror housings

Interior equipment

Gear knob with aluminium trim and TT RS plus badge

Audio and communication

Satellite Navigation system – DVD-based – integrated into the MMI is a clear map display with special destinations indicated by symbols, high-speed map loading, zoom function, bird's eye function, selection of address book destinations, target memory, dynamic route guidance with TMC (with vehicle life subscription), including Europe DVD (where digitised), and Satellite Navigation disc-reader located in the spare-wheel well under the boot

Audi Music Interface (AMI) – Universal connection for use with stereo audio sources, USB and MP3 devices including Apple iPod generation 4 onwards (iPod, iPod classic, iPod mini, iPod nano, iPod photo, iPod video, iPod touch). Provides intuitive control through the audio system and multi-function steering wheel, where fitted. It also replicates the iPod display on the audio screen and DIS, including track titles. The interface provides charging function (dependent on device)



Carbon door mirror housings



19" x 9J '5-arm Rotor' design titanium finish alloy wheels



Grille in anthracite with matt aluminium frame



Gear knob with aluminium trim and TT RS plus badge



Image shows the TT RS plus with optional Misano red, pearl effect paint (N9) and 19" '5-arm Rotor' wheels in black with red rim (C1I) (no cost option)

TT RS Coupé

Engines	Power	Transmissions	CO ₂ g/km	Basic RRP	Total RRP inc VAT	Recommended OTR
2.5 TFSI quattro	340PS	6-speed manual	209	£37,412.50	£44,895.00	£46,160.00
2.5 TFSI quattro	340PS	7-speed S tronic	197	£38,645.83	£46,375.00	£47,495.00

TT RS Roadster

Engines	Power	Transmissions	CO ₂ g/km	Basic RRP	Total RRP inc VAT	Recommended OTR
2.5 TFSI quattro	340PS	6-speed manual	212	£39,062.50	£46,875.00	£48,140.00
2.5 TFSI quattro	340PS	7-speed S tronic	199	£40,295.83	£48,355.00	£49,475.00

TT RS plus Coupé

Engines	Power	Transmissions	CO ₂ g/km	Basic RRP	Total RRP inc VAT	Recommended OTR
2.5 TFSI quattro	360PS	6-speed manual	209	£39,983.33	£47,980.00	£49,245.00
2.5 TFSI quattro	360PS	7-speed S tronic	197	£41,216.67	£49,460.00	£50,580.00

TT RS plus Roadster

Engines	Power	Transmissions	CO ₂ g/km	Basic RRP	Total RRP inc VAT	Recommended OTR
2.5 TFSI quattro	360PS	6-speed manual	212	£41,633.33	£49,960.00	£51,225.00
2.5 TFSI quattro	360PS	7-speed S tronic	199	£42,866.67	£51,440.00	£52,560.00

Please note: The maximum power output figures are quoted in PS (or Pferdestärke, which is the metric equivalent of brake horsepower). To convert to brake horsepower, divide the PS figure by 1.0139.

Recommended On-The-Road (OTR) retail prices include: delivery charge, half a tank of fuel, number plates at £590.00 (inc. VAT), Road Fund Licence (which may vary depending on model/transmission – see page 68 for details) and first registration fee at £55.00.

RRP – Recommended Retail Price. VAT is calculated at 20% but this may alter to reflect any change in the applicable VAT rate.







Audi exclusive

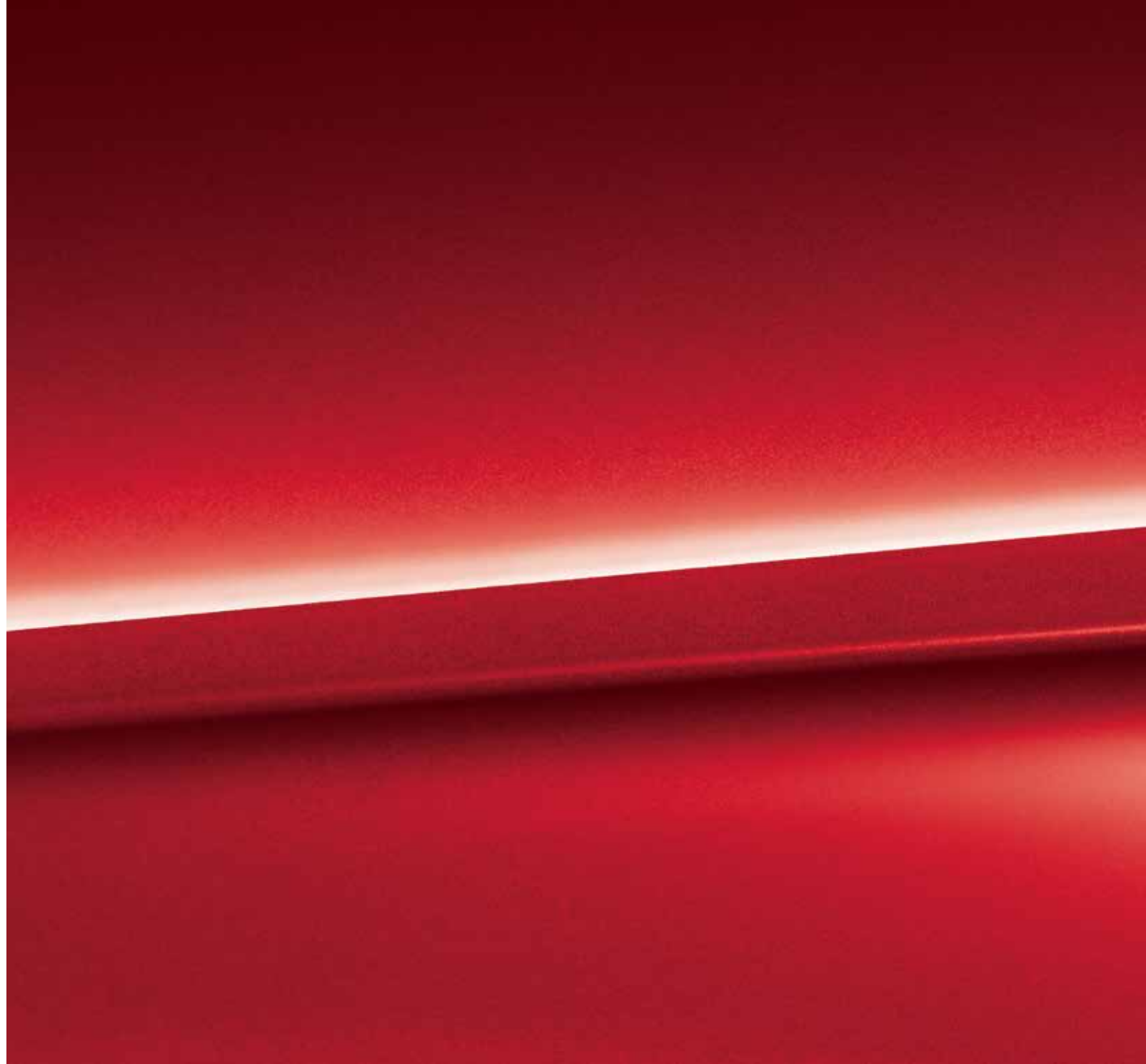
Every Audi is intrinsically exclusive. It's the breathtaking design, the exceptional engineering, the Vorsprung durch Technik. But for that special touch you can specify your Audi TT RS with options from Audi exclusive. Whether you want a unique, custom-mixed paint colour or seats in a combination of complementary shades, Audi exclusive will enable you to drive the car you've always imagined.

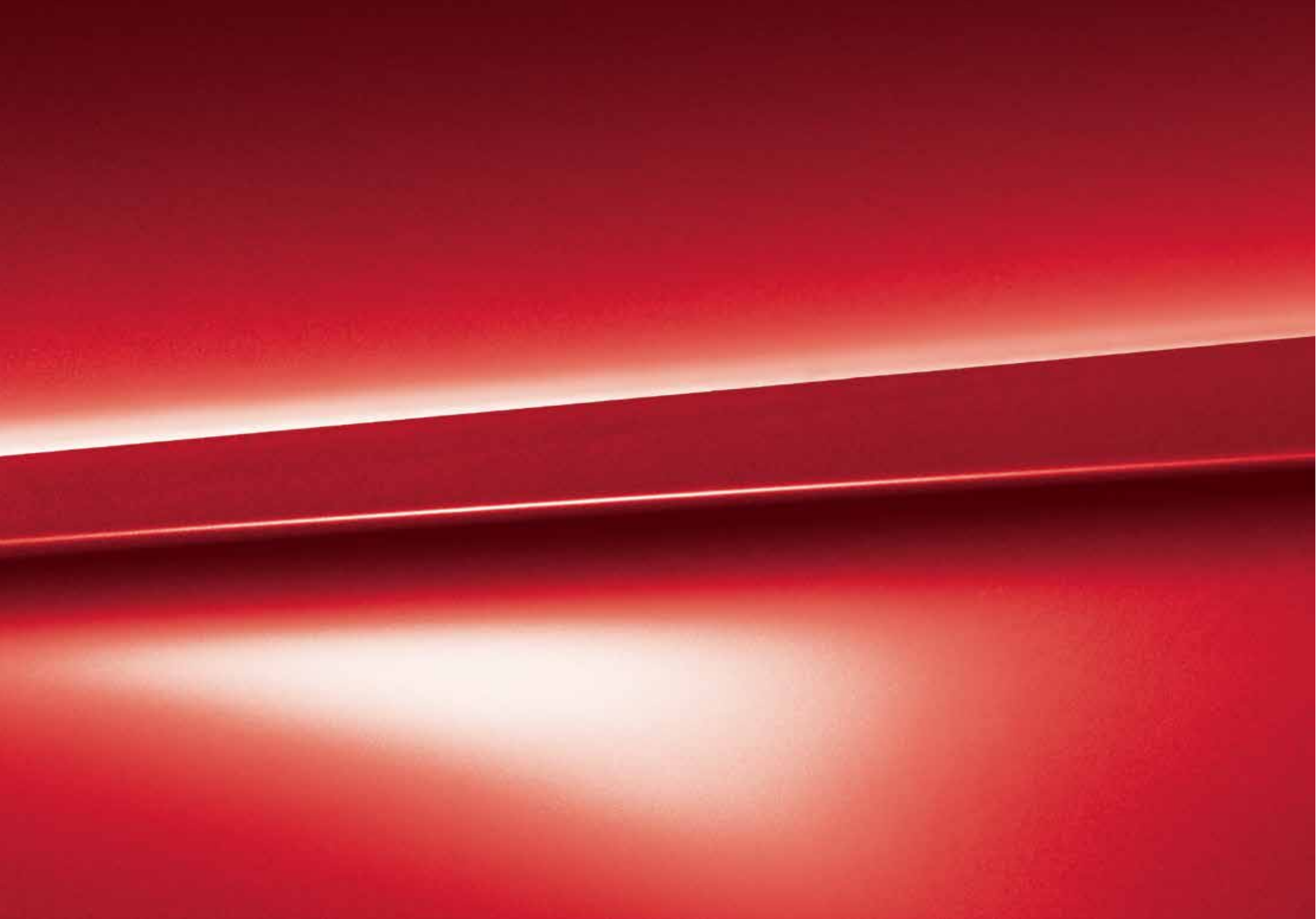
Both the exclusive and standard options can be found on the following pages.



Paint

We believe that every part of your car should have a personal touch. Which is why you can choose from a wide range of paint colours and finishes, from standard shades to metallic and pearl effects. We can even mix a customised colour for you to create the perfect fit.





Paint and hood colours

You can select the standard colour shown opposite or, for a different look, choose from the range of optional finishes.

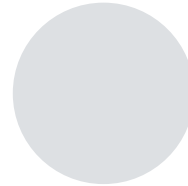
A choice of two hood colours is available for the TT RS Roadster, enabling you to complement or contrast your chosen paint colour.

Standard colour

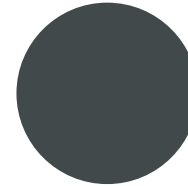


Ibis white – T9

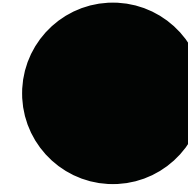
Optional colours



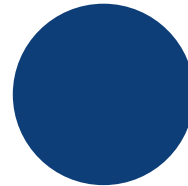
Suzuka grey, metallic – M1



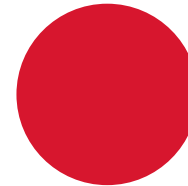
Daytona grey, pearl effect – 6Y



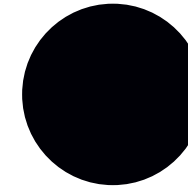
Phantom black, pearl effect – LB



Sepang blue, metallic – E9



Misano red, pearl effect – N9

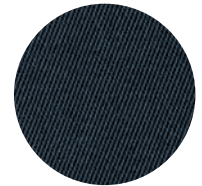


Panther black, crystal effect – H8

Hood colours



Black hood – PA



Dark grey hood – SW

Options are subject to availability and may extend delivery.

All the colour swatches on this page are matched as accurately as possible to the actual paint colours used. However, due to print processes, Audi UK cannot guarantee that colours shown are 100% accurate.

Visit your local Audi Centre for a more accurate colour swatch.

RRP – Recommended Retail Price.

VAT is calculated at 20% but this may alter to reflect any change in the applicable VAT rate.

Optional colours

Basic RRP
£437.50

Total RRP inc VAT
£525.00

Panther black, crystal effect

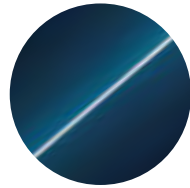
Basic RRP
£645.83

Total RRP inc VAT
£775.00

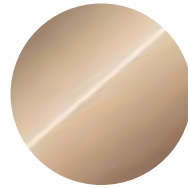
Paint

Audi exclusive

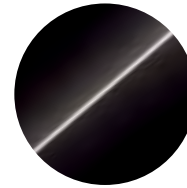
Everyone has a favourite colour. No matter what yours is, Audi exclusive provides a range of unique colours that have been designed to set your car apart. Choose from the swatches here, or specify any other paint colour in the Audi range – whether it's Samoa orange from the Audi R8 or Alpine white from the original Audi quattro. The choice is yours.



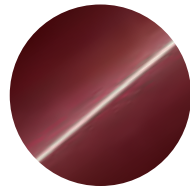
Palace blue, pearl effect



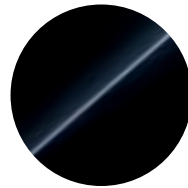
Sand beige, pearl effect



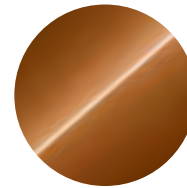
Saddle brown, pearl effect



Classic red, pearl effect



Mamba black, metallic



Ipanema brown, metallic

Customised

If you have a particular colour in mind, we'll mix the exact metallic or pearl-effect shade you want.*

*Customised paint is subject to factory approval, and is available for metallic and pearl-effect water-based paints only. Three-colour process colours and two-tone schemes are not available.

**Visit your local Audi Centre for colour samples.

All the colour swatches on this page are matched as accurately as possible to the actual paint colours used. However, due to print processes, Audi UK cannot guarantee that colours shown are 100% accurate.

Visit your local Audi Centre for a more accurate colour swatch.

RRP – Recommended Retail Price.

VAT is calculated at 20% but this may alter to reflect any change in the applicable VAT rate.



Any colour in the Audi range or 100 exclusive colours to choose from**



Customised paint

Audi exclusive

Basic RRP
£1,687.50

Total RRP inc VAT
£2,025.00

Customised*

Basic RRP
£2,104.17

Total RRP inc VAT
£2,525.00

Upholstery



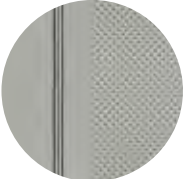
It's important to feel comfortable on the road. Just choose from our range of luxury upholstery materials and textures, including additional support and colour options, for complete relaxation while you drive.





Upholstery

Choose your favourite upholstery from the swatches shown opposite to give your car's interior the look and feel you want. You can also order front bucket seats – see page 36 for more details.

	TT RS	TT RS plus	Basic RRP	Total RRP inc VAT
Leather/Alcantara  Black with Silver stitching – ZM	•	•	No charge	No charge
Silk Nappa leather   Black – ZM Silver – UC TT RS embossed Silk Nappa leather. Head restraints and seat-side bolsters in leather (with contrasting stitching) seat-centre panel in leather with perforated inserts, door trim inserts in leather (same as seat colour) including floor mats with piping	S	S	No charge	No charge

Options are subject to availability and may extend delivery.

- = Not available
- = Available
- S = Standard

All leather upholstery choices include seats, head restraints and door inserts in leather.

RRP – Recommended Retail Price.

VAT is calculated at 20% but this may alter to reflect any change in the applicable VAT rate.



Seats

Choose from a variety of different comfort and styling options to tailor your driving experience.

Order Code		TT RS	TT RS plus	Basic RRP	Total RRP inc VAT
7P1	Electric lumbar support. For front seats with horizontal and vertical adjustment. Not available in combination with bucket seats	●	●	£162.50	£195.00
PV1	Electrically adjustable front seats. Includes adjustment for height, forwards and backwards position, backrest angle and lumbar support. Not available in combination with bucket seats	●	●	£616.67	£740.00
PSS	Front bucket seats in Fine Nappa leather. Includes leather-covered seat upholstery, head restraints, and door trims. RS embossed logo in the front seat backrests with manual adjustment. This option deletes front side airbags and ISOFIX preparation for front passenger seat. Not available in combination with storage package, electric front seats, through-load facility, electric lumbar support and any other seat upholstery	●	●	£1,633.33	£1,960.00



Standard front Sports seats in Silk Nappa leather



Optional front bucket seats in Fine Nappa leather

Options are subject to availability and may extend delivery.

- = Not available
- = Available
- S = Standard

RRP - Recommended Retail Price.

VAT is calculated at 20% but this may alter to reflect any change in the applicable VAT rate.

Colour and trim guide

Interior trim colours

RS Sports seats

To help you choose the right interior for your new TT RS, please use this guide, showing the carpet, dashboard and headlining colours that have been matched to your chosen upholstery.

Front bucket seats

Options are subject to availability and may extend delivery.

- = Not available
- = Available
- S = Standard

Coupé and Roadster

Order Code	Upholstery	Carpet	Dashboard (upper/lower)	Headlining	Leather/Alcantara (N7S)	Silk Nappa leather (N5T)
ZM	Black with Silver stitching	Black	Black	Black	•	•
UC	Silver with Black stitching	Black	Black	Black	-	•

Order Code	Upholstery	Carpet	Dashboard (upper/lower)	Headlining	Silk Nappa leather (N5T)
ZM	Black with Silver stitching	Black	Black	Black	•

Upholstery

Audi exclusive

With Audi exclusive, you can specify your seats in Fine Nappa leather, in an array of different colours shown to the right.

Select just one all-over shade for each seat, or customise each panel in two or more complementary colours from the distinctive Audi exclusive palette. You can even choose the colour of the decorative stitching – to match or contrast with your chosen upholstery – from this varied collection. Whatever combination you decide upon, we think you'll be extremely comfortable with the result.



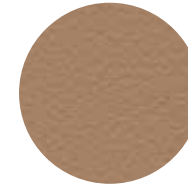
Chestnut brown



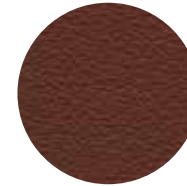
Jet grey



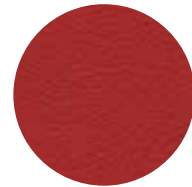
Alabaster white



Sand beige



Saddle brown



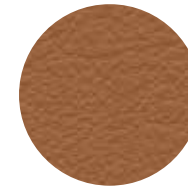
Crimson red



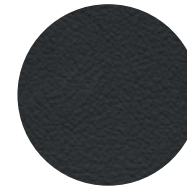
Magnolia white



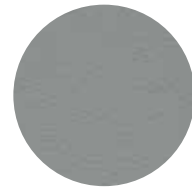
Havanna brown



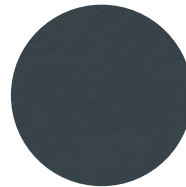
Cognac brown



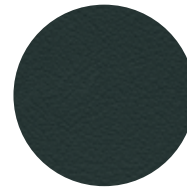
Night blue



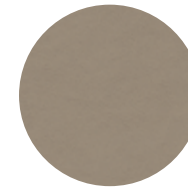
Cloudy grey



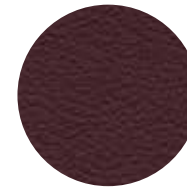
Smoky blue



Iceland green



Powder beige



Classic red

Also available:

Alcantara colours: available in all the above Audi exclusive colours, except for Crimson red, Jet grey and Sand beige. Alcantara equivalents are Chilli red, Amethyst grey, and Sesame beige respectively.

Dashboard colours: available in all the Audi exclusive colours shown, except for Alabaster white, Magnolia white and Sand beige.

Please consult your Audi Centre for examples of Alcantara and carpet colours.

Upholstery

Audi exclusive

Order Code		TT RS	TT RS plus	Basic RRP	Total RRP inc VAT
PYC S3G	Audi exclusive leather package 1 in Fine Nappa leather/Alcantara. Includes leather covered seat side trims, head restraints and front centre armrest. Seat centre sections and door trim inserts in Alcantara. Floor mats with leather piping. Backrest covers and seat add-on parts come in the interior trim colour*	●	●	£1,533.33	£1,840.00
PYA S3G	Audi exclusive leather package 1 in Fine Nappa leather. Includes leather seat upholstery, head restraints, front centre armrest and door trim inserts and embossed TT RS logo in the front seat backrest. Floor mats with leather piping. Backrest covers and seat add-on parts come in the interior trim colour*	●	●	£1,533.33	£1,840.00
PYO	With front bucket seats	●	●	£3,279.17	£3,935.00
PYG S3G	Audi exclusive leather package 2 in Fine Nappa leather. Includes all the contents of leather package 1, as well as handbrake handle, door armrests and handles, side of centre console, gear lever knob and gear lever gaiter and dashboard hood in leather	●	●	£1,833.33	£2,200.00
PYY	With front bucket seats	●	●	£3,579.17	£4,295.00

Options are subject to availability and may extend delivery.

- = Not available
- = Available
- S = Standard

*Leather, stitching and piping (where applicable) can be specified in a variety of colours from the Audi exclusive range.

RRP - Recommended Retail Price.

VAT is calculated at 20% but this may alter to reflect any change in the applicable VAT rate.

Inlays

Attention to detail can make a big impact. From Phantom black to a Matt-brushed aluminium, our selection of inlays make the perfect finishing touch to your car's interior.

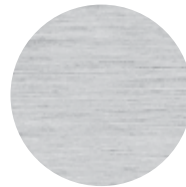




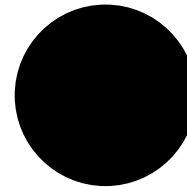
Inlays

Inlays are the all-important finishing touch that add flair and interest to your car's interior.

Order Code		TT RS	TT RS plus	Basic RRP	Total RRP inc VAT
5TG	Matt-brushed aluminium	S	S	No charge	No charge
YUV	Phantom black	•	•	£520.83	£625.00
YUU	Ibis white	•	•	£520.83	£625.00



Matt-brushed aluminium – **5TG**



Phantom black – **YUV**



Ibis white – **YUU**

Options are subject to availability and may extend delivery.

- = Not available
 • = Available
 S = Standard

RRP - Recommended Retail Price.

VAT is calculated at 20% but this may alter to reflect any change in the applicable VAT rate.



Options

Every driver has different needs, which is why we have created some useful options to further enhance your car. For extra comfort, support, style or function, you can choose from a variety of additional features, tailoring everything from your infotainment and audio equipment to your wheels and lighting.





Wheels, tyres and suspension

Choose a set of specially-selected alloy wheels to subtly enhance the way your car looks and drives.

Order Code		TT	RS	TT RS plus	Basic RRP	Total RRP inc VAT
PQW	19" x 9J '5-arm Rotor' design alloy wheels with 255/35 R19 tyres	•	–	–	£1,041.67	£1,250.00
		–	•	–	No charge	No charge
PQU	19" x 9J '5-arm Rotor' design titanium finish alloy wheels with 255/35 R19 tyres	•	–	S	£1,133.33	£1,360.00
C1I	19" x 9J '5-arm Rotor' design alloy wheels finished in black with a red rim with 255/35 R19 tyres	–	•	–	No charge	No charge
PQN	20" x 9J '7-twin-spoke' polished two-tone design alloy wheels with 255/30 R20 tyres. Not available in combination with Audi magnetic ride	•	–	–	£1,741.67	£2,090.00
		–	•	–	£658.33	£790.00
1BQ	Audi magnetic ride. Adaptive suspension system with two selectable modes (Normal or Sport). Sensors in the car monitor the road conditions and adjust the dampening effect by varying a magnetic charge which passes through a fluid-based shock absorber for improved road handling, outstanding chassis control and excellent driving comfort	•	•	–	£808.33	£970.00



19" x 9J '5-arm Rotor' design alloy wheels – **PQW**



19" x 9J '5-arm Rotor' design titanium finish alloy wheels – **PQU**



19" x 9J '5-arm Rotor' design alloy wheels finished in black with a red rim – **C1I**



20" x 9J '7-twin-spoke' polished two-tone design alloy wheels – **PQN**

Options are subject to availability and may extend delivery.

– = Not available
• = Available
S = Standard

RRP – Recommended Retail Price.

VAT is calculated at 20% but this may alter to reflect any change in the applicable VAT rate.

Performance

Tailor your car's performance (where the law permits) with these impressive features.

Order Code		TT RS	TT RS plus	Basic RRP	Total RRP inc VAT
OP6	Sports exhaust. Matt black, oval-shaped dual exhaust pipes which subtly alter the sound of the TT RS engine	●	S	£741.67	£890.00
PQQ	Top-speed restrictor increase to 174mph* and Carbon design package for engine bay	●	S	£1,133.33	£1,360.00

Options are subject to availability and may extend delivery.

- = Not available
- = Available
- S = Standard

*Where the law permits.

RRP – Recommended Retail Price.

VAT is calculated at 20% but this may alter to reflect any change in the applicable VAT rate.



Packages

Some items work well together, which is why we've created these special packages. They provide increased convenience and value by combining several of our most popular options.

Options are subject to availability and may extend delivery.

- = Available
- = Not available
- S = Standard

RRP – Recommended Retail Price.

VAT is calculated at 20% but this may alter to reflect any change in the applicable VAT rate.

Order Code		TT	RS	TT RS plus	Basic RRP	Total RRP inc VAT
WBI	<p>Comfort package. Acoustic parking system (rear only). Aids parking by acoustically indicating distances to obstacles Cruise control. For holding any speed above 25mph Auto-dimming rear-view mirror. Light and rain sensors. Not available in combination with the Light and rain sensor package</p>	•		•	£425.00	£510.00
WB3	<p>Sound package. BOSE® surround sound system. Dynamic noise-compensation, 8-channel amplifier and 12 loudspeakers including centre speaker and tweeters in the dashboard, mid-range speakers and woofers in the doors as well as low-mid-range speakers, tweeters and a woofer in the rear side panels. The system has a total output of 255 Watts and includes an AudioPilot® microphone mounted in the ceiling which monitors interior noise level Symphony radio. AM/FM twin tuner with TP memo function. Front-loading 6-CD changer with MP3 compatibility and active front and rear speakers. Includes AUX-IN socket iPod connection. For playing/charging your iPod. Located in glovebox and controllable via radio or multi-function steering wheel (if fitted). USB connection can be selected in lieu of iPod Not available in combination with Technology package or CD changer</p>	•		-	£425.00	£510.00
WB4	<p>Technology package. Satellite Navigation system – DVD-based. Integrated into the MMI is a clear map display with special destinations indicated by symbols, high-speed map loading, zoom function, bird's eye function, selection of address book destinations, target memory, dynamic route guidance with TMC (with vehicle life subscription), including Europe DVD (where digitised), and Satellite Navigation disc-reader located in the spare-wheel well under the boot Audi Music Interface (AMI). Universal connection for use with stereo audio sources, USB and MP3 devices including Apple iPod generation 4 onwards (iPod, iPod classic, iPod mini, iPod nano, iPod photo, iPod video, iPod touch). Provides intuitive control through the audio system and multi-function steering wheel It also replicates the iPod display on the audio screen and DIS, including track titles. The interface provides charging function (dependent on device) Not available in combination with iPod connection, USB connection, Symphony radio or CD changer</p>	•		S	£429.17	£515.00



Cruise control (Comfort package)



BOSE® premium sound system (Sound package)



Satellite Navigation system – DVD-based (Technology package)



Audio and communication

Stay in touch using our range of communication functions, and give each journey its own soundtrack with our advanced audio equipment.

Order Code		TT	RS	TT RS plus	Basic RRP	Total RRP inc VAT
RSL	Symphony radio. AM/FM twin tuner with TP memo function. Front-loading 6-CD changer with MP3 compatibility and active front and rear speakers. Includes AUX-IN socket	●	—	—	£225.00	£270.00
8RY	BOSE® surround sound system. Dynamic noise-compensation, 8-channel amplifier and 12 loudspeakers including centre speaker and tweeters in the dashboard, mid-range speakers and woofers in the doors as well as low-mid-range speakers, tweeters and a woofer in the rear side panels. The system has a total output of 255 Watts and includes an AudioPilot® microphone mounted in the ceiling which monitors interior noise level. Also part of Sound package, see page 48 for details	●	●	●	£404.17	£485.00
QV9	TV reception – analogue and digital. Analogue and digital TV tuner for improved reception of ‘free-to-air’ TV channels. Picture reception only possible when vehicle is stationary, sound reception at all times. Reception dependent upon local digital network availability. Only in combination with Satellite Navigation system – DVD-based and light and rain sensor package or Comfort package	●	●	●	£679.17	£815.00

Options are subject to availability and may extend delivery.

- = Available
- = Not available
- S = Standard

RRP – Recommended Retail Price.

VAT is calculated at 20% but this may alter to reflect any change in the applicable VAT rate.



Symphony radio



BOSE® surround sound system



Mobile phone preparation – Low

Audio and communication

Order Code		TT RS	TT RS plus	Basic RRP	Total RRP inc VAT
9ZF	Mobile telephone preparation – Low, with Bluetooth and voice control. Provides handsfree connection via Bluetooth using mobile phone aerial or, alternatively, using a cradle with charging facility for optimal reception via external aerial. Cradle available at extra cost – please contact your Audi Centre for phone compatibility	●	●	£120.83	£145.00
UF1	iPod connection. For playing/charging your iPod. Located in glovebox and controllable via radio or multi-function steering wheel (if fitted). Cannot be combined with CD changer, USB connection or Satellite Navigation system – DVD-based	●	–	£154.17	£185.00
UF2	USB connection. For playing music from your USB stick. Located in glovebox and controlled via radio or multi-function steering wheel (if fitted). Cannot be combined with CD changer, iPod connection or Satellite Navigation system – DVD-based	●	–	£154.17	£185.00
7A2	CD changer. For six CDs, located in glovebox and controllable via radio or multi-function steering wheel. Cannot be combined with iPod connection, USB connection or Audi Music Interface	●	●	£270.83	£325.00

Options are subject to availability and may extend delivery.

- = Available
- = Not available
- S = Standard

RRP – Recommended Retail Price.

VAT is calculated at 20% but this may alter to reflect any change in the applicable VAT rate.



iPod connection



Satellite Navigation system – DVD-based (as part of Technology package)

Interior equipment

Specify every detail of your car's interior with this range of exclusive options.

Options are subject to availability and may extend delivery.

- = Available
- = Not available
- S = Standard

*HomeLink® is a registered trademark of Johnson Controls. For information on compatibility, visit www.homelink.com.

RRP – Recommended Retail Price.

VAT is calculated at 20% but this may alter to reflect any change in the applicable VAT rate.

Order Code		TT	RS	TT RS plus	Basic RRP	Total RRP inc VAT
8T2	Cruise control. For holding any speed above 25mph	•	•	•	£187.50	£225.00
VC1	Garage door opener (Homelink®*). Programmable radio-operated remote control for up to three compatible doors/gates. Control buttons integrated in the roof module at the front	•	•	•	£166.67	£200.00
QQ1	Interior light package. Includes front footwell lighting, illuminated vanity mirrors (Coupé only), interior door handles and glove box, puddle and ambient lighting	•	•	•	£104.17	£125.00
QE1	Storage package. Comprising storage net in front passenger footwell and front seat backrests, storage compartment under the front seats. Also includes luggage net in boot on Coupé	•	•	•	£104.17	£125.00
3X2	Through-load facility. Includes removable ski bag for transporting long objects. Not available in combination with bucket seats. Only available on Roadster	•	•	•	£141.67	£170.00



Through-load facility

Interior equipment

Our fingertips and palms contain more touch receptors than any other part of our body – so shouldn't the parts of our car we handle the most also be the most pleasing to touch? With this in mind, you can specify your car's interior with one or more of the options opposite.

Options are subject to availability and may extend delivery.

*The leather and stitching (where applicable) can be specified from any of the exclusive colours shown on page 38.

- = Available
- = Not available
- S = Standard

RRP – Recommended Retail Price.

VAT is calculated at 20% but this may alter to reflect any change in the applicable VAT rate.

Order Code		TT RS	TT RS plus	Basic RRP	Total RRP inc VAT		
YSK	Audi exclusive Alcantara headlining. Only available on Coupé	●	●	£1,350.00	£1,620.00		
YTZ S3G	Audi exclusive Black front floor mats with TT RS logo. Available with Black or Silver piping	●	●	£375.00	£450.00		
YTO S3G	Audi exclusive seat belts. Colour-coordinated to match seat upholstery or any other colour from the Audi exclusive range						
			Coupé	●	●	£1,133.33	£1,360.00
			Roadster	●	●	£650.00	£780.00
YUG S3G	Audi exclusive leather-covered roll-over protection bars. Only available on Roadster	●	●	£425.00	£510.00		
YRH S3G	Audi exclusive leather-covered steering wheel rim. Not available in combination with Audi exclusive controls packages*	●	●	£287.50	£345.00		
YRB S3G	Audi exclusive controls package. Includes leather-covered steering wheel rim, handbrake grip and gear-shift gaiter*	●	●	£512.50	£615.00		
YUC S3G	Audi exclusive controls package in Black suede. Includes steering wheel rim, handbrake grip and gear-shift knob in Black suede*	●	●	£629.17	£755.00		



Exterior equipment

Make sure your car looks exactly as you want it to by selecting some of our striking options.

Order Code		TT RS	TT RS plus	Basic RRP	Total RRP inc VAT
8Q5	Adaptive lights. Swivelling headlights for improved illumination of a winding road	●	●	£275.00	£330.00
4ZM	Black styling package. Radiator grille-frame in highly-polished black, with radiator grille and number plate holder in matt black. Cannot be combined with matt aluminium styling package	●	●	£254.17	£305.00
4ZL	Matt aluminium styling package. Includes front lip spoiler, bottom edge of rear diffuser insert and struts on rear spoiler	●	—	£566.67	£680.00
5J1	Deletion of fixed rear spoiler	●	●	No charge	No charge
VW1	Privacy glass. Dark tinted glass from B pillar backwards. Only available on Coupé	●	●	£275.00	£330.00
2Z0	Deletion of model designation at rear	●	●	No charge	No charge

Options are subject to availability and may extend delivery.

- = Available
- = Not available
- S = Standard

RRP – Recommended Retail Price.

VAT is calculated at 20% but this may alter to reflect any change in the applicable VAT rate.



Adaptive headlights



Matt aluminium styling package



Matt aluminium styling package



Matt aluminium styling package



Safety and security

Intelligent technology designed to give you better all-round awareness and safety on the road.

Order Code		TT RS	TT RS plus	Basic RRP	Total RRP inc VAT
7X1	Acoustic parking system (rear only). Aids parking by acoustically indicating distances to obstacles	●	●	£254.17	£305.00
UG1	Audi hill-hold assist. Prevents roll-back on hills for up to 5 seconds by maintaining brake force	●	●	£75.00	£90.00
6XE	Door mirrors. Electrically folding	●	●	£158.33	£190.00
6XK	Door mirrors. Electrically folding and auto-dimming. Only in combination with Comfort package	●	●	£287.50	£345.00
8N7	High-beam assist. Automatically adjusts headlights from high-beam to dipped beam when another vehicle is approaching or when entering highly-lit areas such as towns. Only available with Comfort package	●	●	£104.17	£125.00
3B4	ISOFIX child seat fitments for rear seats. Only available on Coupé	●	●	£29.17	£35.00
7K6	Tyre pressure loss indicator. A visual and acoustic warning when the system detects a loss of pressure in an individual tyre	●	●	£62.50	£75.00
4GP	Windscreen sun band. Standard on Roadster	●	●	£45.83	£55.00

Options are subject to availability and may extend delivery.

- = Not available
- = Available
- S = Standard

RRP – Recommended Retail Price.

VAT is calculated at 20% but this may alter to reflect any change in the applicable VAT rate.



Looking after your Audi

When you've chosen your ideal model, it's reassuring to know that it will remain in safe hands. That's why we've created products to protect your Audi, from extended warranties to Audi Complete – our comprehensive service and maintenance package. And there's also a range of Audi accessories and merchandise to choose from, enabling you to further enhance and safeguard your car.





Audi Complete

Audi Complete is simply a way to look after the servicing and maintenance costs for your Audi in a single package. You pay a one-off or monthly fee and we'll cover all your servicing, maintenance and tyres for the next three years including your first MOT. It means you only have to pay for fuel, insurance and your Road Fund Licence. So you can be reassured that your car will be maintained by trained Audi Technicians, using genuine Audi parts. You can also opt for our Service only or Service and Maintenance packages if you prefer.

*Retail customers only. Pricing based on 3 years/30,000 miles (whichever occurs sooner). All pricing is a 'starting from' price for the Audi TT RS model range and is therefore subject to change and mileage/model dependent.

Warranty

- = Not available
• = Available
S = Standard

**Only available prior to registration of your Audi TT RS. Please speak to your Audi Centre for full details.

RRP – Recommended Retail Price.

VAT is calculated at 20% but this may alter to reflect any change in the applicable VAT rate.

Order Code		TT RS	TT RS plus	Basic RRP	Total RRP inc VAT
-	Audi Complete – Service only. Comprehensive care for your Audi covering all your servicing for 3 years. Visit your local Audi Centre for further information or audi.co.uk/audicomplete for full details including terms and conditions	•	-	£20.00	£24.00*
		-	•	£24.17	£29.00*
-	Audi Complete – Service and Maintenance. Comprehensive care for your Audi covering all your servicing and maintenance for 3 years, as well as your first MOT. Visit your local Audi Centre for further information or audi.co.uk/audicomplete for full details including terms and conditions	•	-	£31.67	£38.00*
		-	•	£35.00	£42.00*
-	Audi Complete – Service, Maintenance and Tyres. Comprehensive care for your Audi covering all your servicing, maintenance and tyres for 3 years, as well as your first MOT. Visit your local Audi Centre for further information or audi.co.uk/audicomplete for full details including terms and conditions	•	-	£46.67	£56.00*
		-	•	£50.00	£60.00*

Order Code		TT RS	TT RS plus	Basic RRP	Total RRP inc VAT
-	Audi Warranty , covering you for unlimited mileage in the first 2 years of ownership, and up to 60,000 miles in the third year. Transferable between owners**	•	•	No charge	No charge
EA6	Audi Warranty , covering you for up to 4 years or 75,000 miles, whichever comes soonest. Cover includes a 2-year unlimited mileage warranty, and up to 75,000 miles in the third and fourth years. Transferable between owners**	•	•	£320.83	£385.00
EA9	Audi Warranty , covering you for up to 5 years or 90,000 miles, whichever comes soonest. Cover includes a 2-year unlimited mileage warranty, and up to 90,000 miles in the third, fourth and fifth years. Transferable between owners**	•	•	£754.17	£905.00

Merchandise

From the enthusiasts' motorsport collection to the sophisticated Audi collection, there's a wide variety of adults' and children's clothing, lifestyle accessories and collectables, all of which bear the Audi name.

Please speak to a member of our team at your local Audi Centre to see the full Audi collection and to place an order. A selection of Audi merchandise is also available to buy from audi.co.uk/merchandise.



Audi Difference

The experts in Vorsprung durch Technik

Our Audi Approved Master Technicians have undergone an impressive 100,000 hours of training over a 10-year programme to ensure they have the latest technical expertise for maintaining and servicing your Audi. All our Service Advisors undergo a specialist induction and training to ensure they are Audi professionals and able to talk to you about any issues you may have with your Audi vehicle.

Servicing tailored to your needs

Regular servicing is key to safeguarding your Audi's performance and a full Audi service history could help you enhance the future re-sale value. To make servicing easy, the Audi Service Schedules have been designed to work with your individual driving style and vehicle.

We offer two different schedules: the fixed Inspection Service and the variable LongLife Service schedule. The conventional fixed Inspection Service schedule has fixed intervals for the Oil-change Service and Inspection Service, which are determined by time and distance.

With the variable LongLife Service schedule, the Inspection Service intervals are also fixed but the Oil-change Service intervals are variable. Sensors take account of driving style and conditions to determine when the Oil-change Service is required and the driver is informed via the on-board service interval display.

The choice of Service Schedule will depend on journey type and mileage as well as individual driving style and conditions. The table to the right can be used for guidance but your Audi Centre will help you to determine the most suitable Service schedule for you based on your individual circumstances and preferences.

Fixed Inspection Service Schedule

	Vehicle usage:
Mileage	Less than 10,000 miles per annum Mainly city/town centre driving. Short journeys.
	Service Intervals:
Oil-change Service	Fixed to every 9,000+ miles/1 year
Inspection Service	Fixed to every 19,000+ miles/2 years

Variable LongLife Service Schedule

	Vehicle usage:
Mileage	More than 10,000 miles per annum Motorway and main road driving. Mainly longer distance journeys. Constant speeds.
	Service Intervals:
Oil-change Service	Variable to a maximum of every 19,000+ miles/2 years
Inspection Service	Fixed to every 19,000+ miles/2 years

When a vehicle is frequently used in the following conditions, we recommend a Fixed Inspection Service Schedule, regardless of mileage:

Uneconomical driving styles, e.g. heavy acceleration and braking, constant use of high revs
High engine-loading conditions, e.g. frequent towing and hill climbs

*As indicated by the service interval display. Mileages are approximate as the Service Indicator system uses kilometres as its distance measurement.

Your convenience comes first

At Audi you can choose from a range of convenient services that suit your needs. Why not book a 'service while you wait' appointment* and enjoy our complimentary refreshments while your car is with us? Or, if you need to be mobile, take advantage of one of our courtesy cars which we can even deliver to you.* We guarantee we can service your Audi within 5 days without a courtesy car or within 10 days if you need transport. We will also ensure your car is returned to you with a full valet.

Audi Genuine Parts

You can rest assured that only Audi Genuine Parts will be used on your vehicle. What's more, Audi parts and labour come with a 2-year guarantee.**

No hidden costs

We believe strongly in transparency when it comes to our prices. For added peace of mind, we will give you a quotation over the phone for the work you have requested and email you the price confirmation. We'll consult you if any additional work on your car is needed when it is with us. We won't carry out any extra work without asking your permission first.

All part of the service

Whenever we see an Audi for a service, we connect it directly to our headquarters in Ingolstadt which enables us to check your car's software and make sure it's as up-to-date as possible. If the factory has released a software upgrade for your model, it can be applied immediately - improving anything from your car's efficiency to the precision of its parking system.

Audi Roadside Assistance

Your new car comes complete with 3 years' complimentary roadside assistance and recovery across the UK, provided by RAC Motoring Services. Also included is roadside assistance throughout Europe, managed by RAC Motoring Services.

For further information and terms and conditions please visit audi.co.uk.

* Subject to availability.

**Excludes wear and tear.



TT RS

technical data

	Coupé		Roadster	
	2.5 TFSI quattro	2.5 TFSI quattro	2.5 TFSI quattro	2.5 TFSI quattro
Engine	2.5 TFSI quattro	2.5 TFSI quattro	2.5 TFSI quattro	2.5 TFSI quattro
Transmission	6-speed manual	7-speed S tronic	6-speed manual	7-speed S tronic
Cylinder	5-cylinder	5-cylinder	5-cylinder	5-cylinder
Displacement, cubic cm (valves per cylinder)	2480 (4)	2480 (4)	2480 (4)	2480 (4)
Max. power ¹ , PS at rpm	340/5400-6500	340/5400-6500	340/5400-6500	340/5400-6500
Max. torque, Nm at rpm	450/1600-5300	450/1600-5300	450/1600-5300	450/1600-5300
Top speed ³ , mph	155*	155*	155*	155*
0-62mph acceleration, seconds	4.5	4.3	4.6	4.4
CO ₂ emissions ² , g/km	209	197	212	199
Benefit in kind (BIK)%	33%	31%	34%	31%
Fuel consumption ² , mpg (l/100km) Urban	22.4 (12.6)	23.0 (12.3)	22.1 (12.8)	22.8 (12.4)
Fuel consumption ² , mpg (l/100km) Extra Urban	41.5 (6.8)	44.8 (6.3)	40.4 (7.0)	44.1 (6.4)
Fuel consumption ² , mpg (l/100km) Combined	31.4 (9.0)	33.2 (8.5)	31.0 (9.1)	32.8 (8.6)
ABI insurance group ⁴ 1-50	40E	40E	41E	41E
Unladen weight ⁴ , kg	1450	1475	1510	1535
Gross weight limit, kg	1850	1875	1830	1855
Roof/Boot lid load limit, kg	75	75	20	20
Luggage compartment capacity, rear seats upright, litres	290	290	290	290
Luggage compartment capacity, rear seats folded, litres	700	700	-	-
Fuel tank capacity approx, litres	60	60	60	60
Emission standard	EUS	EUS	EUS	EUS

*Highest insurance group rating shown. Group may be lower dependent on trim level. Please visit www.thatcham.org/abigroupratings for details.

¹Electronically limited. Please see page 47 for option to increase limit.

²The given value was obtained in accordance with the specified measurement procedure (the respective current version of the Directive 80/1269/EEC).

³Fuel consumption and CO₂ emissions figures are obtained under standardised test conditions (Directive 93/116/EEC) using a representative model. This allows direct comparison between different models from different manufacturers, but may not represent the actual fuel consumption achieved in 'real world' driving conditions. More information is available at www.vca.gov.uk.

⁴Regulated.

⁵Vehicle's unladen weight without driver (calculated in accordance with the current version of Directive 80/1268/EEC). The fitting of additional equipment may increase the vehicle's unladen weight and drag coefficient, whereupon the potential carrying capacity and top speed will be correspondingly reduced.

Please note: The maximum power output figures are quoted in PS (or Pferdestärke, which is the metric equivalent of brake horsepower). To convert to brake horsepower, divide the PS figure by 1.0139.



TT RS plus technical data

	Coupé		Roadster	
	2.5 TFSI quattro	2.5 TFSI quattro	2.5 TFSI quattro	2.5 TFSI quattro
Engine	2.5 TFSI quattro	2.5 TFSI quattro	2.5 TFSI quattro	2.5 TFSI quattro
Transmission	6-speed manual	7-speed S tronic	6-speed manual	7-speed S tronic
Cylinder	5-cylinder	5-cylinder	5-cylinder	5-cylinder
Displacement, cubic cm (valves per cylinder)	2480 (4)	2480 (4)	2480 (4)	2480 (4)
Max. power ¹ , PS at rpm	360/5500-6700	360/5500-6700	360/5500-6700	360/5500-6700
Max. torque, Nm at rpm	465/1650-5400	465/1650-5400	465/1650-5400	465/1650-5400
Top speed ³ , mph	174*	174*	174*	174*
0-62mph acceleration, seconds	4.3	4.1	4.4	4.2
CO ₂ emissions ² , g/km	209	197	212	199
Benefit in kind (BIK)%	33%	31%	34%	31%
Fuel consumption ² , mpg (l/100km) Urban	22.4 (12.6)	23.0 (12.3)	22.1 (12.8)	22.8 (12.4)
Fuel consumption ² , mpg (l/100km) Extra Urban	41.5 (6.8)	44.8 (6.3)	40.4 (7.0)	44.1 (6.4)
Fuel consumption ² , mpg (l/100km) Combined	31.4 (9.0)	33.2 (8.5)	31.0 (9.1)	32.8 (8.6)
ABI insurance group ⁴ 1-50	40E	40E	41E	41E
Unladen weight ⁴ , kg	1450	1475	1510	1535
Gross weight limit, kg	1850	1875	1830	1855
Roof/Boot lid load limit, kg	75	75	20	20
Luggage compartment capacity, rear seats upright, litres	292	292	250	250
Luggage compartment capacity, rear seats folded, litres	700	700	-	-
Fuel tank capacity approx, litres	60	60	60	60
Emission standard	EUS	EUS	EUS	EUS

*Highest insurance group rating shown. Group may be lower dependent on trim level. Please visit www.thatcham.org/abigroupratings for details.

*Electronically limited.

¹The given value was obtained in accordance with the specified measurement procedure (the respective current version of the Directive 80/1269/EEC).

²Fuel consumption and CO₂ emissions figures are obtained under standardised test conditions (Directive 93/116/EEC) using a representative model. This allows direct comparison between different models from different manufacturers, but may not represent the actual fuel consumption achieved in 'real world' driving conditions. More information is available at www.vca.gov.uk.

³Regulated.

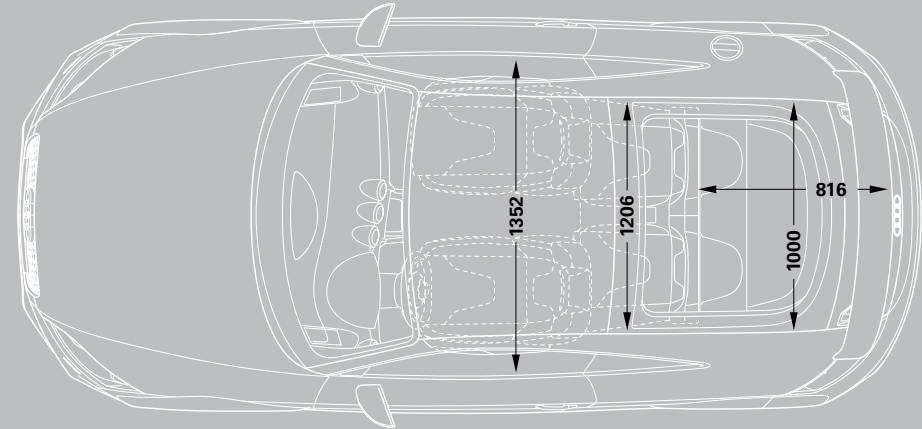
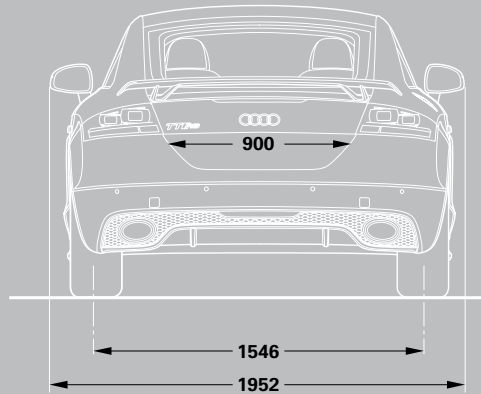
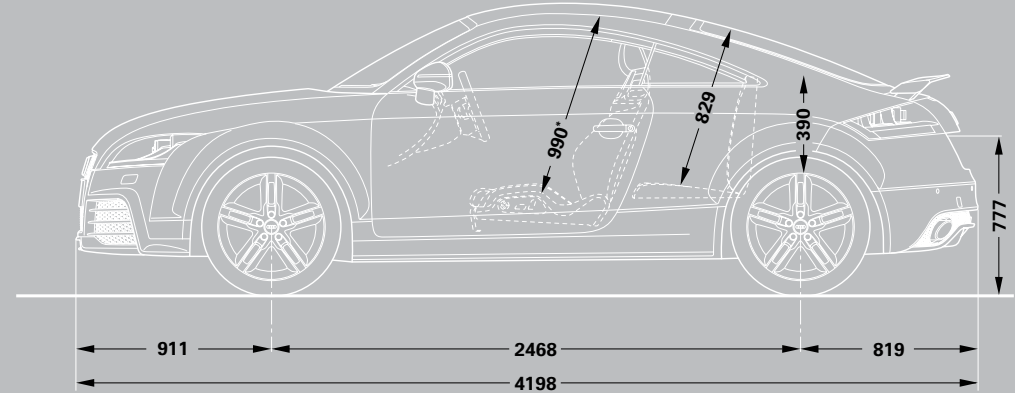
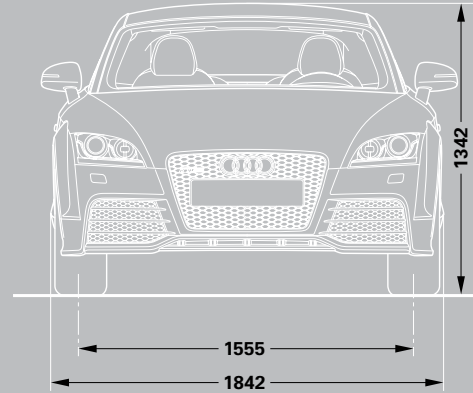
⁴Vehicle's unladen weight without driver (calculated in accordance with the current version of Directive 80/1268/EEC). The fitting of additional equipment may increase the vehicle's unladen weight and drag coefficient, whereupon the potential carrying capacity and top speed will be correspondingly reduced.

Please note: The maximum power output figures are quoted in PS (or Pferdestärke, which is the metric equivalent of brake horsepower). To convert to brake horsepower, divide the PS figure by 1.0139.



TT RS Coupé dimensions

The technical drawings opposite show the exact dimensions of the TT RS Coupé, so you can check everything – from whether the car will fit in your garage to whether your luggage will fit in the boot.



Dimensions were measured with vehicle at unladen weight.

Turning circle approx 10.7m.

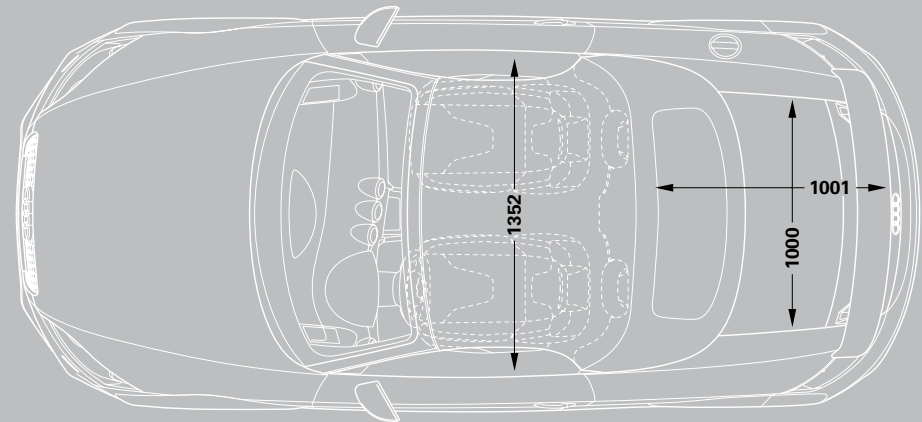
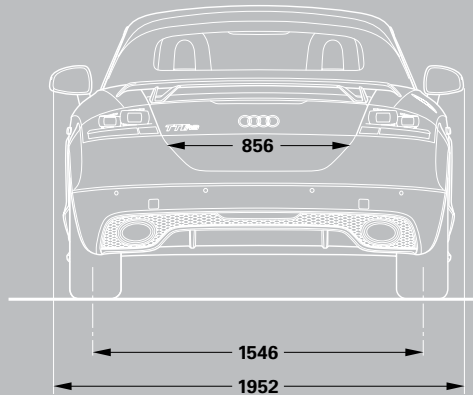
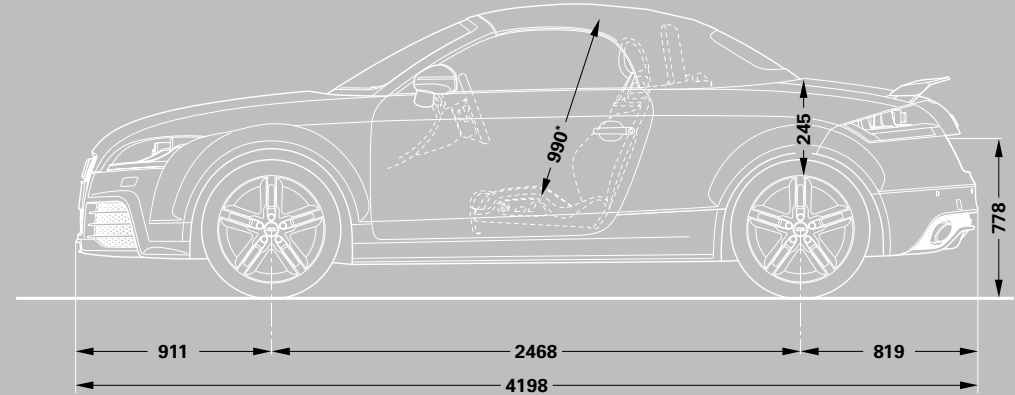
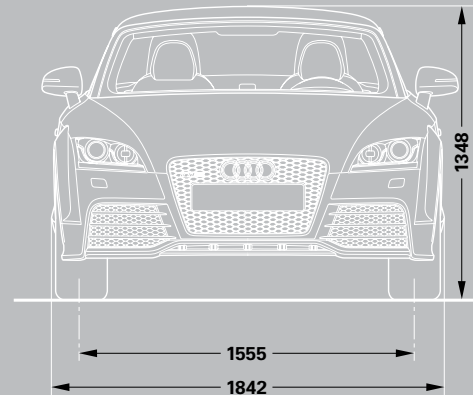
Dimensions in millimetres.

*Maximum headroom.

Roof load limit/nose weight 75kg.

TT RS Roadster dimensions

Look at the technical drawings opposite to see the exact dimensions of the TT RS Roadster, so you can check everything – from whether the car will fit in your garage to whether your luggage will fit in the boot.



Dimensions were measured with vehicle at unladen weight.

Turning circle approx 10.7m.

Dimensions in millimetres.

*Maximum headroom.

Roof load limit/nose weight 75kg.

Pricing and Additional information

Welcome to Audi

By placing an order for your Audi, you're choosing to get behind the wheel of one of the most sophisticated cars on the road. And because we believe the service we offer should be just as advanced, we want to let you know exactly what you can expect from us, now and in the future.

We've agreed a set of standards with all our Centres which governs the way we do business with you. It outlines the kind of service we promise to deliver for every customer, right down to filling each new Audi we sell with half a tank of fuel.

So whether you're interested in the date your car will arrive in the UK or the way we'll dispose of non-biodegradable materials after we service your Audi, you can have total confidence in us.

Audi Promise

Audi Centres

We guarantee that all our Centres will be open as follows:

Sales: Monday to Friday 9am–6pm
Saturday 9am–5pm

Service: Monday to Friday 8am–6pm
Saturday 8.30am–1pm

Sunday opening is at local discretion.

New car delivery

Once we've confirmed a delivery date for your car, we'll keep you informed of progress. Subject to reasonable notice, we'll then deliver it to a place of your choice, whether that's your home or work. In the unlikely event of a delay, we'll provide a courtesy car to minimise inconvenience and keep you mobile.

Environmental commitment

We promise to dispose of all non-biodegradable materials from your vehicle in a responsible manner.

Pricing

Prices and specifications given are correct at the time of printing. Always check details with your Audi Centre as Audi policies are continually developing. We reserve the right to change prices or specifications at any time.

All prices are subject to VAT, currently charged at 20%, but this may alter to reflect any change in the applicable VAT rate.

Delivery charges and number plates are not included in the vehicle price.

Delivery charge	£471.66
Number plate	£20.00
VAT	£98.34
Total	£590.00

Audi Customer Care

Every new Audi benefits from the comprehensive Audi Customer Care Package, which comprises:

- ▶ A 3-year Audi warranty, which covers you for unlimited mileage in the first 2 years of ownership, with a full mechanical and electrical warranty which covers you for up to 60,000 miles in the 3rd year
- ▶ A 3-year paint warranty
- ▶ A 12-year anti-corrosion warranty
- ▶ 3 years' UK roadside assistance and recovery

You also have the option when ordering your new car of choosing a 4-year or 5-year Audi warranty. Speak to a member of the sales team for more information.

Audi tax-free sales

If you are entitled to purchase a vehicle free of VAT, normally through military or diplomatic privilege, please contact your local Audi Centre for full details.

Should you have any difficulty obtaining the information you require, please call Freephone 0800 585878.

Audi Finance

Audi Finance specialises in providing funding solutions for Audi drivers. Whether your Audi is for private or business use, there is a range of funding options to choose from.

Below is the full range of finance products, which comprises:

- ▶ Solutions – a Personal Contract Plan
- ▶ Hire purchase
- ▶ Lease purchase
- ▶ Finance lease
- ▶ Contract hire

With all products, you can choose a fixed-cost maintenance plan designed to help you budget accurately.

No matter which Audi model you choose, your local Audi Centre can provide you with a personalised quote designed to fit your budget and motoring needs.

Audi Finance is a trading name of Volkswagen Financial Services (UK) Limited. An offer of finance depends on certain conditions. Available to people over 18 in the UK only.

Audi Insurance

We want you to start enjoying your new car from day one and thanks to Audi Insurance complimentary 7-day cover, you can. Call free on 0800 316 7893 (lines are open Monday to Friday 8am–9pm, and Saturday 9am–5pm), provide a few details and a cover note will be sent to your Audi Centre. They will then tax your car and you can drive it away.

Additional information

CO₂ data and information

CO₂ emissions-based Vehicle Excise Duty

Vehicle Excise Duty (Road Fund Licence) is based upon the amount of Carbon Dioxide (CO₂) a vehicle emits, measured in grams per kilometre (g/km). First year VED rates apply to the first year of ownership. Annual VED rates apply thereafter. The DVLA has created thirteen categories:

Petrol and Diesel engines	First year	Annual rate (second year onwards)
A – up to 100g/km	£0.00	£0.00
B – 101 to 110g/km	£0.00	£20.00
C – 111 to 120g/km	£0.00	£30.00
D – 121 to 130g/km	£0.00	£105.00
E – 131 to 140g/km	£125.00	£125.00
F – 141 to 150g/km	£140.00	£140.00
G – 151 to 165g/km	£175.00	£175.00
H – 166 to 175g/km	£285.00	£200.00
I – 176 to 185g/km	£335.00	£220.00
J – 186 to 200g/km	£475.00	£260.00
K – 201 to 225g/km	£620.00	£280.00
L – 226 to 255g/km	£840.00	£475.00
M – over 255g/km	£1,065.00	£490.00

Vehicle Excise Duty (VED) rates correct at time of going to print, but these may alter to reflect any change in the applicable VED rate









Audi UK

Customer Services
Selectapost 29
Sheffield
S97 3FG
0800 699888
audi.co.uk

Specifications and prices subject
to change without notice.

© Audi (UK)

Printed in the UK
Edition 2.0 05/13
2014 model year

Images are for illustrative purposes only.

