

# XJ

SPECIFICATION AND PRICE GUIDE





## EXTRAORDINARY LUXURY

XJ is passion in motion, a dramatic combination of beauty, luxury and sheer exhilarating power.

Outside, the sweep of its streamlined roof is fashioned to slice air like a blade. Inside, its sensuous cabin is crafted to pamper, built for stretching out and relaxing. Carefully chosen materials are meticulously handcrafted to provide the utmost comfort and delight the senses. And with its strong lightweight aluminium body, the XJ provides agility and superlative handling. This combined with the anticipatory systems and technology allows the XJ to react to road conditions and other cars alike.

The following pages provide details and specifications for the XJ range. In-depth descriptions of key features and available options are designed to give you all the information you require to create the XJ that's just right for you. Please use this guide in conjunction with the XJ main brochure's colour and trim sections for illustrations of colour and materials available.

Alternatively, you may prefer to use the XJ configurator at [jaguar.co.uk](http://jaguar.co.uk) to specify and price your new car.

<b>ENGINE CHOICES</b>	4
<b>MODEL PRICES</b>	5
<b>STANDARD AND OPTIONAL FEATURES</b>	6

<b>XJ LUXURY</b>	
Key Features and Option Prices	10
Alloy Wheel Choices	11
Colour and Trim Choices	12

<b>XJ PREMIUM LUXURY</b>	
Key Features and Option Prices	13
Alloy Wheel Choices	14
Colour and Trim Choices	15

<b>XJ PORTFOLIO</b>	
Key Features and Option Prices	16
Alloy Wheel Choices	17
Colour and Trim Choices	18

<b>XJ SUPERSPORT</b>	
Key Features and Option Prices	19
Alloy Wheel Choices	20
Colour and Trim Choices	21

<b>XJ ULTIMATE</b>	
Key Features and Option Prices	22
Colour and Trim Choices	23

<b>XJ ACCESSORIES</b>	24
<b>XJ GLOSSARY</b>	28

## ENGINE CHOICES

ENGINES		JAGUAR 3.0 LITRE V6 275 TURBOCHARGED DIESEL	JAGUAR 3.0 LITRE V6 340 SUPERCHARGED PETROL	JAGUAR 5.0 LITRE V8 510 SUPERCHARGED PETROL
Capacity	cc	2,993	2,995	5,000
Maximum power	EEC-PS (kW)	275 (202)	340 (250)	510 (375)
@rev/min		4,000	6,500	6,000-6,500
Maximum torque	EEC-Nm (lb.ft.)	600 (443)	450 (332)	625 (461)
@rev/min		2,000	3,500-5,000	2,500-5,500
Transmission		8-speed automatic	8-speed automatic	8-speed automatic
PERFORMANCE				
0-60 mph	seconds	6.0	5.7	4.7
0-100 km/h	seconds	6.4	5.9	4.9
Top speed	mph (km/h)	155 (250) limited	155 (250) limited	155 (250) limited
FUEL CONSUMPTION - STANDARD WHEELBASE				
Urban	mpg (l/100km)	39.8 (7.1)	20.9 (13.5)	16.7 (16.9)
Extra Urban	mpg (l/100km)	51.4 (5.5)	38.2 (7.4)	32.8 (8.6)
Combined	mpg (l/100km)	46.3 (6.1)	29.4 (9.6)	24.4 (11.6)
Carbon dioxide emissions	g/km	159	224	270
Tank capacity	gals (ltr) approx.	18.04 (82)	18.04 (82)	18.04 (82)
FUEL CONSUMPTION - LONG WHEELBASE				
Urban	mpg (l/100km)	36.7 (7.7)	20.9 (13.5)	17.0 (16.9)
Extra Urban	mpg (l/100km)	50.4 (5.6)	38.2 (7.4)	32.8 (8.6)
Combined	mpg (l/100km)	44.8 (6.3)	29.4 (9.6)	24.4 (11.6)
Carbon dioxide emissions	g/km	167	224	270
Tank capacity	gals (ltr) approx.	18.04 (82)	18.04 (82)	18.04 (82)
ENGINE AVAILABILITY				
XJ Luxury		●	—	—
XJ Premium Luxury		●	●	—
XJ Portfolio		●	●	—
XJ Supersport		—	—	●
XJ Ultimate		—	—	●

● Standard — Not available

Please consult your local Jaguar dealer for details.

## MODEL PRICES

XJ LUXURY		JAGUAR 3.0 LITRE V6 275 TURBOCHARGED DIESEL	JAGUAR 3.0 LITRE V6 340 SUPERCHARGED PETROL	JAGUAR 5.0 LITRE V8 510 SUPERCHARGED PETROL
Standard Wheelbase	List Price	£46,266.67	—	—
	VAT	£9,253.33	—	—
	Retail Price	£55,520.00	—	—
	<b>OTR Price</b>	<b>£56,260.00</b>	—	—
Long Wheelbase	List Price	£48,766.67	—	—
	VAT	£9,753.33	—	—
	Retail Price	£58,520.00	—	—
	<b>OTR Price</b>	<b>£59,365.00</b>	—	—
XJ PREMIUM LUXURY				
Standard Wheelbase	List Price	£49,433.33	£53,495.83	—
	VAT	£9,886.67	£10,699.17	—
	Retail Price	£59,320.00	£64,195.00	—
	<b>OTR Price</b>	<b>£60,060.00</b>	<b>£65,365.00</b>	—
Long Wheelbase	List Price	£51,993.33	£56,120.83	—
	VAT	£10,386.67	£11,224.17	—
	Retail Price	£62,320.00	£67,345.00	—
	<b>OTR Price</b>	<b>£63,165.00</b>	<b>£68,515.00</b>	—
XJ PORTFOLIO				
Standard Wheelbase	List Price	£55,433.33	£59,704.17	—
	VAT	£11,086.67	£11,940.83	—
	Retail Price	£66,520.00	£71,645.00	—
	<b>OTR Price</b>	<b>£67,260.00</b>	<b>£72,815.00</b>	—
Long Wheelbase	List Price	£57,933.33	£62,204.17	—
	VAT	£11,586.67	£12,440.83	—
	Retail Price	£69,520.00	£74,645.00	—
	<b>OTR Price</b>	<b>£70,365.00</b>	<b>£75,815.00</b>	—
XJ SUPERSPORT				
Standard Wheelbase	List Price	—	—	£75,112.50
	VAT	—	—	£15,022.50
	Retail Price	—	—	£90,135.00
	<b>OTR Price</b>	—	—	<b>£91,735.00</b>
Long Wheelbase	List Price	—	—	£78,029.17
	VAT	—	—	£15,605.83
	Retail Price	—	—	£93,635.00
	<b>OTR Price</b>	—	—	<b>£95,235.00</b>
XJ ULTIMATE				
Long Wheelbase	List Price	—	—	£99,516.67
	VAT	—	—	£19,903.33
	Retail Price	—	—	£119,420.00
	<b>OTR Price</b>	—	—	<b>£121,020.00</b>

The estimated 'On the Road' (OTR) retail price includes items such as delivery to dealer, Vehicle Excise Duty, Vehicle First Registration Fee, estimated cost of Number Plates and VAT (at 20%). Accessories requiring dealer fit may incur a labour charge. We recommend you contact your dealer for more details.

## COMPARE STANDARD AND OPTIONAL FEATURES

	XJ LUXURY	XJ PREMIUM LUXURY	XJ PORTFOLIO	XJ SUPERSPORT	XJ ULTIMATE
<b>POWERTRAIN AND DRIVING DYNAMICS</b>					
8-speed electronic automatic transmission with Jaguar Sequential Shift™	●	●	●	●	●
JaguarDrive Control™ with Winter Mode and Dynamic Mode	●	●	●	●	●
JaguarDrive Selector™	●	●	●	●	●
Dynamic Stability Control (DSC) with Trac DSC mode	●	●	●	●	●
Electric Parking Brake (EPB) - drive away release	●	●	●	●	●
Intelligent Stop/Start	●	●	●	●	●
Adaptive Dynamics	●	●	●	●	●
Active Differential <sup>2</sup>	—	—	—	●	●
Cruise Control with Automatic Speed Limiter (ASL)	●	●	●	●	●
Adaptive Cruise Control (ACC) with Forward Alert and Advanced Emergency Brake Assist	○	○	○	○	○
<b>SAFETY AND SECURITY</b>					
Emergency Brake Assist (EBA)	●	●	●	●	●
Rear parking aid with Touch-screen visual indicator	●	●	●	●	●
Front parking aid with Touch-screen visual indicator	○	●	●	●	●
Reverse park camera with guidance	P	○	●	●	●
Pedestrian Contact Sensing System™ - Automatically deployable bonnet system	●	●	●	●	●
3-flash lane change indicators	●	●	●	●	●
Remote control central locking with deadlocking and drive-away locking function	●	●	●	●	●
Power boot lid (open and close)	●	●	●	●	●
Airbags front and side (driver and front passenger)	●	●	●	●	●
Side curtain airbags	●	●	●	●	●
Front seats - whiplash protection system	●	●	●	●	●
Seat belt reminder (front and rear)	●	●	●	●	●
ISOFIX anchor points for rear child seats	●	●	●	●	●
Blind Spot Monitor	○	○	○	○	○
Tyre Pressure Monitoring System (TPMS) <sup>1</sup>	○	○	●	●	●

● Standard ○ Option — Not available NCO No cost option P Option as part of pack  
<sup>1</sup>Not available with 18" Meru alloy wheels <sup>2</sup>Only available on 5.0 litre V8 Supercharged petrol engine  
<sup>3</sup>19" Space saver spare wheel on Supersport and Ultimate  
Please consult your local Jaguar dealer for details.

	XJ LUXURY	XJ PREMIUM LUXURY	XJ PORTFOLIO	XJ SUPERSPORT	XJ ULTIMATE
<b>EXTERIOR FEATURES</b>					
Twin tailpipes	●	●	●	●	●
Heated rear window with timer	●	●	●	●	●
Rain sensing windscreen wipers	●	●	●	●	●
Bi-function HID Xenon headlamps with washers	●	●	—	—	—
Bi-function HID Xenon headlamps with Adaptive Front Lighting, cornering lamps and intelligent high beam	○	○	●	●	●
LED tail lamps	●	●	●	●	●
Solar attenuating, hydrophobic and acoustically laminated glass	●	●	●	●	●
Exterior mirrors with electric adjustment, heated, power folding, auto dimming with puddle lamps and memory function	●	●	●	●	●
Exclusive chrome finished 'Ultimate' sculpted lower air intake finishers	—	—	—	—	●
Exclusive 'Ultimate' oval polished stainless steel exhaust tailpipe finishers	—	—	—	—	●
XJ Ultimate badge on rear boot lid and in side power vents	—	—	—	—	●
18" Space saver spare wheel (required option with 20" wheel options) <sup>3</sup>	○	○	●	●	●
Approach illumination (automatic via remote)	●	●	●	●	●

	XJ LUXURY	XJ PREMIUM LUXURY	XJ PORTFOLIO	XJ SUPERSPORT	XJ ULTIMATE
<b>INTERIOR THEMES</b>					
Bond grain leather seats, upper fascia, door top roll, armrests and centre console lid.	●	—	—	—	—
Soft grain leather seats, upper fascia, door top roll, armrests and centre console lid (Seat valance and rear A/C vent area on XJ Supersport)	—	●	●	—	—
Embossed leapers on headrests <sup>1</sup>	—	—	●	●	—
Semi-aniline leather seats with contrast stitch and piping	—	—	—	●	—
Hand built semi-aniline front seats, with contrast stitch	—	—	—	—	●
Two hand built semi-aniline leather rear seats, with recline, massage and 4-way lumbar adjust	—	—	—	—	●
Soft grain leather "tailored" rear seat surround with embossed metal leaper	—	—	—	—	●
Soft grain leather on upper fascia, door top roll, door pannier, door armrest, seat valance, centre console lid and end cap with twin needle stitch	—	—	—	●	●
Tipped leather on door panniers <sup>4</sup> , door top rolls, fascia topper and driver's binnacle	—	—	—	○	—
Illuminated stainless steel treadplates	—	P	P	●	●
Mauveine lined glovebox (Available with Jet colourway)	—	—	—	●	●
Mauveine lined rear chiller and under-table area (Available with Jet colourway)	—	—	—	—	●
Morzine headlining	●	●	—	—	—
Suede cloth headlining	—	—	●	—	—
Soft grain leather headlining	—	—	—	●	●
Carpet mat set (front and rear)	●	●	—	—	—
Premium carpet mat set (front and rear)	—	—	●	—	—
Logo Premium carpet mat set (front and rear) <sup>2</sup>	—	—	—	●	●

<sup>1</sup>Not available in conjunction with rear seat comfort pack <sup>2</sup>Ultimate Premium carpet mat set for XJ Ultimate only  
<sup>3</sup>Not available with seat massage <sup>4</sup>Requires upgrade to 12x12 way adjustable seats  
<sup>5</sup>Linked with 18x18 way or 20x20 way seats <sup>6</sup>Jet seats and Jet upper fascia only  
<sup>7</sup>Only available with active ventilated heated and cooled front seats with heated rear  
<sup>8</sup>Only available with four zone automatic climate control <sup>9</sup>Linked option to heated steering function  
<sup>10</sup>XJ Supersport Long Wheelbase only  
Please consult your local Jaguar dealer for details.

	XJ LUXURY	XJ PREMIUM LUXURY	XJ PORTFOLIO	XJ SUPERSPORT	XJ ULTIMATE
<b>INTERIOR FEATURES</b>					
Electric front seat adjustment (8x8 way) including fore/aft, cushion height, squab recline and cushion tilt	●	—	—	—	—
Electric front seat adjustment (12x12 way) including fore/aft, cushion height, squab recline, cushion tilt and 4-way lumbar	○	●	●	—	—
Electric front seat adjustment (18x18 way) including fore/aft, cushion height, squab recline, cushion tilt, 4-way lumbar, adjustable bolsters, cushion extension and powered headrests <sup>3</sup>	—	○ <sup>7</sup>	●	●	—
Electric seat adjustment (20x20 way) including fore/aft, cushion height, squab recline, cushion tilt, 4-way lumbar, adjustable bolsters, cushion extension and powered headrests	—	○ <sup>7</sup>	○	○	●
Driver's 3 position seat memory	○ <sup>4</sup>	●	—	—	—
Driver's and Passenger's 3 position seat memory	—	○ <sup>5</sup>	●	●	●
Heated front seats	●	—	—	—	—
Heated front and rear seats	—	●	—	—	—
Active ventilated heated and cooled - front seats with heated rear	—	○	—	—	—
Active ventilated heated and cooled - front and rear seats.	—	○ <sup>8</sup>	●	●	●
Front and rear electric windows with one-touch open/close and anti-trap	●	●	●	●	●
Panoramic glass roof with electric blinds	●	●	●	●	●
Steering column with electric adjustment for height and reach with entry and exit tilt-away	●	●	●	●	●
Auto-dimming interior rear view mirror	●	●	●	●	●
Front centre console with illuminated stowage, auxiliary power socket and armrest	●	●	●	●	●
3-spoke soft grain leather steering wheel with Jaguar Sequential Shift™ paddles and remote controls for audio system, cruise control, Bluetooth® telephone connectivity and Interactive Voice™	●	●	—	—	—
3-spoke soft grain leather heated steering wheel with Jaguar Sequential Shift™ paddles and remote controls for audio system, cruise control, Bluetooth® telephone connectivity and Interactive Voice	○	○	●	●	●
3-spoke wood and soft grain leather heated steering wheel with Jaguar Sequential Shift™ paddles and remote controls for audio system, cruise control, Bluetooth® telephone connectivity and Interactive Voice	—	○ <sup>9</sup>	○	○	○
Twin front cup holders	●	●	●	●	●
Sun visor - driver and front passenger, with illuminated vanity mirrors	●	●	●	●	●
Rear coat hooks	●	●	●	●	●
Front and rear courtesy footwell lights	●	●	●	●	●
Phosphor blue halo illumination and interior mood lighting	●	●	●	●	●
Phosphor blue illumination in front and rear air vents	—	●	P	● <sup>10</sup>	●
Door puddle lamps (front and rear)	●	●	●	●	●

## COMPARE STANDARD AND OPTIONAL FEATURES

	XJ LUXURY	XJ PREMIUM LUXURY	XJ PORTFOLIO	XJ SUPERSPORT	XJ ULTIMATE
<b>INTERIOR FEATURES</b>					
JaguarSense™ - glovebox opening	●	●	●	●	●
JaguarSense™ - overhead light console operation (front)	●	●	●	●	●
Driver's foot rest	●	●	●	●	●
Intaglio ('Jaguar' script)	●	●	●	—	—
Intaglio 'Supersport' script	—	—	—	●	—
'Ultimate' Intaglio - high gloss diamond cut	—	—	—	—	●
Rear seats - centre armrest with twin cup holders	●	●	●	●	—
Jaguar premium analogue clock	●	●	●	●	—
Jaguar Smart Key System™ with Keyless entry	○	●	●	●	●
Dual zone automatic climate control with air filtration, humidity sensing and dual zone temperature control for driver, front passenger and independent control for left and right rear passengers	●	●	—	—	—
Four zone automatic climate control with air filtration, humidity sensing and four zone temperature control for driver, front passenger and independent control for left and right rear passengers (standard on Long Wheelbase models)	○	○	●	●	●
Air quality sensing with auto recirculation	○	○	○	○	○
Garage door opener with overhead remote control	○	○	○	○	○

	XJ LUXURY	XJ PREMIUM LUXURY	XJ PORTFOLIO	XJ SUPERSPORT	XJ ULTIMATE
<b>INTERIOR FEATURES (CONTINUED)</b>					
Privacy glass (standard on Long Wheelbase)	○	○	○	○	○
Front ashtray	○	○	○	○	○
Electric rear window sunblind (standard on Long Wheelbase)	○	○	○	○	○
Seat back iPad dock with two iPads integrated into the back of the front seats. Tailored leather surround with opening door and charging capability. iPad integrated to Meridian 825W Surround Audio System	—	—	—	—	●
Integrated rear chiller with bottle holder	—	—	—	—	●
Full partition leather trimmed centre console with phosphor blue accent lighting and stowage areas including; powered passenger table - machined from solid aluminium with high gloss piano black finish and chrome detail to edge, integrated cup holders, 2 Goran Hongell 'Aarne' champagne glasses and illuminated stowage, Rear Seat Entertainment controller docking and Rear Media Interface with USB and RCA connectors	—	—	—	—	●
Control of front passenger seat away	—	—	—	—	●
Brushed aluminium clock with embossed lozenge detail and 'spun' bright finish	—	—	—	—	●
LED courtesy lighting for rear passengers	—	—	—	—	●
Leather umbrella retainer points in boot	—	—	—	—	●

	XJ LUXURY	XJ PREMIUM LUXURY	XJ PORTFOLIO	XJ SUPERSPORT	XJ ULTIMATE
<b>MULTIMEDIA</b>					
Virtual Instruments, 8 inch Touch-screen, single slot CD/DVD, Interactive Voice, Interactive Controls, Media Hub including Front Media Interface and Bluetooth® audio streaming	●	●	●	●	●
Navigation system with HDD mapping	●	●	●	●	●
Jaguar Audio System - 250W with single slot CD/DVD	●	—	—	—	—
Meridian Audio System - 380W with single slot CD/DVD	○	●	—	—	—
Meridian Surround Audio System - 825W with single slot CD/DVD	○	○	●	●	●
Digital Audio Broadcasting (DAB) radio receiver	●	●	●	●	●
Television - Digital Tuner	P	P	P	●	●
Dual View functionality and one set of WhiteFire® digital wireless headphones	P	P	P	●	●
Rear Seat Entertainment - 8 inch dual LCD screens (mounted in rear of front headrests) with Rear Media Interface and Touch-screen remote control and two sets of WhiteFire® digital wireless headphones. Only available with Meridian Audio Systems <sup>2</sup>	P	P	○	●	●
<b>LONG WHEELBASE ADDITIONAL FEATURES</b>					
Illuminated rear vanity mirrors	●	●	●	●	●
Privacy glass	●	●	●	●	●
Electric rear window sunblind	●	●	●	●	●
Manual rear side window blinds	●	●	●	●	●
Four zone automatic climate control with air filtration, humidity sensing and four zone temperature control for driver, front passenger and independent control for left and right rear passengers	●	●	●	●	●
Rear business trays	—	○	●	●	—
Delete privacy glass	NCO	NCO	NCO	NCO	NCO
'L' badge adjacent to XJ logo	●	●	●	●	●

	XJ LUXURY	XJ PREMIUM LUXURY	XJ PORTFOLIO	XJ SUPERSPORT	XJ ULTIMATE
<b>PACKS</b>					
<b>Parking Aid Pack</b> - front parking aid with Touch-screen visual indicator and Reverse park camera with guidance	○	—	—	—	—
<b>Illumination Pack</b> - Phosphor blue illumination in front and rear air vents, illuminated tread plates and boot latch finisher	—	○	○	—	—
<b>Sport Exterior Pack</b> - front aero splitter, rear decklid spoiler, Gloss Black radiator grille with chrome surround, Gloss Black lower mesh, Gloss Black mesh in side power vent, Red painted brake calipers with Jaguar script and a choice of 20" Venom alloy wheel in sparkle finish or 20" Mataiva alloy wheel <sup>1</sup>	—	○	○	○	—
<b>Sport Interior Pack</b> - features upgraded seats and interior trim (as detailed on the Colour and Trim pages) and four zone automatic climate control. Only available with Meridian Sound Systems	—	○	○	—	—
<b>Speed Pack</b> - Maximum speed increases from 155mph to 174mph. Also includes revised exterior elements - front aero splitter, rear decklid spoiler, Gloss Black radiator grille with chrome surround, Gloss Black lower mesh, Gloss Black mesh in side power vent, Red painted brake calipers with Jaguar script and a choice of 20" Venom alloy wheel in sparkle finish or 20" Mataiva alloy wheel <sup>1</sup>	—	—	—	○	—
<b>Rear Seat Comfort Pack<sup>2</sup></b> - features two independently reclining rear seats with four way adjustable lumbar support and massage function, winged headrests for front and rear seats, angled footrest and front seat passenger away function <sup>3</sup>					
	Standard Wheelbase	—	○	○	○
	Long Wheelbase	—	○	○	○
<b>Entertainment Pack<sup>4</sup></b> - Features Meridian Surround Audio System - 825W with single slot CD/DVD, Dual View functionality and one set of WhiteFire® digital wireless headphones, Digital Television Tuner and Digital Audio Broadcasting (DAB) radio receiver	○	○	○	—	—
<b>Entertainment Pack Plus<sup>4</sup></b> - Features Meridian Surround Audio System - 825W with single slot CD/DVD, Dual View functionality and two sets of WhiteFire® digital wireless headphones, Digital Television Tuner and Digital Audio Broadcasting (DAB) radio receiver and Rear Seat Entertainment with two headphones	○	○	○	—	—

● Standard ○ Option — Not available NCO No cost option  
<sup>1</sup>Mataiva alloy wheel only available on Supersport <sup>2</sup>Not available with Sport Interior Pack  
<sup>3</sup>Requires 18x18 way or 20x20 way adjustable seats <sup>4</sup>Features are dependant on derivative  
 Please consult your local Jaguar dealer for details.

# LUXURY

## KEY FEATURES

Bond grain leather seats with driver's and passenger's electric adjustment (8x8 way)

Heated front seats

19" Aleutian alloy wheels

Satin American Walnut veneer

Jaguar Audio System - 250W with single slot CD/DVD

Dual zone automatic climate control with air filtration, humidity sensing and dual zone temperature control for driver, front passenger and independent control for left and right rear passengers

Four zone automatic climate control with air filtration, humidity sensing and four zone temperature control for driver, front passenger and independent control for left and right rear passengers (standard on Long Wheelbase)

## OPTIONAL FEATURES

POWERTRAIN AND DRIVING DYNAMICS	Retail Price
Adaptive Cruise Control (ACC) with Forward Alert and Advanced Emergency Brake Assist	£1,275.00
SAFETY AND SECURITY	
Blind Spot Monitor	£460.00
Tyre Pressure Monitoring System (TPMS) <sup>1</sup>	£410.00
Front parking aid with Touch-screen visual indicator	£205.00
EXTERIOR FEATURES	
Bi-function HID Xenon headlamps with Adaptive Front Lighting, cornering lamps and intelligent high beam	£860.00
18" Space saver spare wheel (required option with 20" wheel options)	£130.00
MULTIMEDIA	
Meridian Audio System - 380W with single slot CD/DVD	£590.00
Meridian Surround Audio System - 825W with single slot CD/DVD	£1,580.00

INTERIOR FEATURES	Retail Price
Four zone automatic climate control with air filtration, humidity sensing and four zone temperature control for driver, front passenger and independent control for left and right rear passengers	£510.00
3-spoke soft grain leather heated steering wheel with Jaguar Sequential Shift™ paddles and remote controls for audio system, cruise control, Bluetooth® telephone connectivity and Interactive Voice	£240.00
Upgrade to 12x12 way adjustable seats including driver's 3 position seat memory with driver's and passenger's 4-way lumbar support <sup>2</sup>	£280.00
Air quality sensing with auto recirculation	£50.00
Garage door opener with overhead remote control	£305.00
Privacy glass	£255.00
Front ashtray	NCO
Electric rear window sunblind	£305.00
Jaguar Smart Key System™ with Keyless entry	£440.00

LONG WHEELBASE ADDITIONAL FEATURES	Retail Price
Delete privacy glass	NCO

PACKS	Retail Price
<b>Parking Aid Pack</b> - Front parking aid with Touch-screen visual indicator and Reverse park camera with guidance	£410.00
<b>Entertainment Pack</b> - Front Dual View functionality with WhiteFire® emitter, one set of wireless headphones, Digital Television Tuner and MP4 video support from USB. Price includes Meridian 825W Surround Audio System	£1,990.00
<b>Entertainment Pack Plus (additional features to above)</b> - Rear seat entertainment providing twin 8 inch LCD screens, two further sets of wireless headphones and independent Touch-screen remote control	£3,320.00



NCO No Cost Option



<sup>1</sup>Not available with 18" Meru alloy wheels

<sup>2</sup>Can be specified with or without driver 3 position memory

Please consult your local Jaguar dealer for details.

# LUXURY ALLOY WHEEL CHOICES

	STANDARD	OPTIONAL	OPTIONAL	OPTIONAL
				
	19" ALEUTIAN	18" MERU	19" TOBA	19" TOBA POLISHED
FRONT	9.0J x 19"	8.0J x 18"	9.0J x 19"	9.0J x 19"
REAR	10.0J x 19"	9.0J x 18"	10.0J x 19"	10.0J x 19"
OPTION PRICE	-	NCO	£510.00	£1,530.00

	OPTIONAL	OPTIONAL	OPTIONAL	OPTIONAL
				
	20" KASUGA	20" KASUGA POLISHED	20" ORONA	20" ORONA POLISHED
FRONT	9.0J x 20"	9.0J x 20"	9.0J x 20"	9.0J x 20"
REAR	10.0J x 20"	10.0J x 20"	10.0J x 20"	10.0J x 20"
OPTION PRICE	£1,020.00	£2,040.00	£1,020.00	£2,040.00

All 20" wheels require optional space saver spare wheel

# LUXURY

## COLOUR AND TRIM CHOICES

EXTERIOR COLOURS		See page 34 of XJ Brochure
Standard	Ebony	
	Polaris White	
Optional		
	Premium	Cashmere £790.00
		Caviar
		Rhodium Silver
		Carnelian Red
		Satellite Grey
		Indigo
		Stratus Grey
		Ultimate Black
		Crystal Blue
Race Inspired	Lunar Grey	
	British Racing Green £1,490.00	
	Italian Racing Red	
Special	Black Amethyst £1,490.00	

INTERIOR COLOUR COMBINATIONS				See page 39 of XJ Brochure
SEAT	STITCH	UPPER FACIA	HEADLINING	
Bond grain leather		Bond grain leather	Morzine	
Jet	Jet	Jet	Ivory	
Cashew	Cashew	Truffle	Canvas	

VENEERS		See page 44 of XJ Brochure
Standard	Satin American Walnut	
Optional		
	Piano Black	£1,275.00
	Carbon Fibre	£1,275.00
	Gloss Burr Walnut	£205.00

# PREMIUM LUXURY

## KEY FEATURES

Soft grain leather seats with driver's and passenger's electric adjustment (12x12 way) featuring driver's 3 position seat memory

Soft grain leather on upper fascia, door top roll, arm rests and centre console lid

19" Toba alloy wheels

Gloss Burr Walnut veneer

Heated front and rear seats

Front parking aid with Touch-screen visual indicator

Jaguar Smart Key System™ with Keyless entry

Meridian Audio System – 380W with 14 speakers and single slot CD/DVD

## OPTIONAL FEATURES

POWERTRAIN AND DRIVING DYNAMICS	Retail Price
Adaptive Cruise Control (ACC) with Forward Alert and Advanced Emergency Brake Assist	£1,275.00
SAFETY AND SECURITY	
Blind Spot Monitor	£460.00
Tyre Pressure Monitoring System (TPMS) <sup>1</sup>	£410.00
Reverse park camera with guidance	£235.00
EXTERIOR FEATURES	
Bi-function HID Xenon headlamps with Adaptive Front Lighting, cornering lamps and intelligent high beam	£860.00
18" Space saver spare wheel (required option with 20" wheel options)	£130.00
MULTIMEDIA	
Meridian Surround Audio System – 825W with single slot CD/DVD	£990.00
LONG WHEELBASE ADDITIONAL FEATURES	
Rear business trays <sup>2</sup>	£765.00
Delete privacy glass	NCO

NCO No Cost Option

<sup>1</sup>Not available with 18" Meru alloy wheels <sup>2</sup>Piano Black business trays selected if Carbon Fibre veneer is chosen

<sup>3</sup>Linked with active ventilated heated and cooled front seats <sup>4</sup>Not available with rear seat entertainment, business trays or Rear Seat Comfort Pack <sup>5</sup>Not available with Sport Interior Pack.






Please consult your local Jaguar dealer for details.




INTERIOR FEATURES	Retail Price
Four zone automatic climate control with air filtration, humidity sensing and four zone temperature control for driver, front passenger and independent control for left and right rear passengers (standard on Long Wheelbase models)	£510.00
Air quality sensing with auto recirculation	£50.00
Garage door opener with overhead remote control	£305.00
Privacy glass (standard on Long Wheelbase)	£255.00
Front ashtray	NCO
Electric rear window sunblind (standard on Long Wheelbase)	£305.00
3-spoke soft grain leather heated steering wheel with Jaguar Sequential Shift™ paddles and remote controls for audio system, cruise control, Bluetooth® telephone connectivity and Interactive Voice	£240.00
3-spoke wood and soft grain leather heated steering wheel with Jaguar Sequential Shift™ paddles and remote controls for audio system, cruise control, Bluetooth® telephone connectivity and Interactive Voice <sup>2</sup>	£595.00
Upgrade to 18x18 way adjustable seats including driver's and passenger 3 position seat memory and 4-way lumbar support <sup>3</sup>	£1,300.00
Upgrade to 20x20 way adjustable seats including driver's and passenger 3 position seat memory, 4-way lumbar support and seat massage <sup>3</sup>	£1,680.00
Active ventilated heated and cooled front seats	£480.00
Active ventilated heated and cooled front and rear seats <sup>3</sup>	£960.00

PACKS		
<b>Illumination Pack</b> – Phosphor blue illumination in front and rear air vents, illuminated tread plates and boot latch finisher		£1,000.00
<b>Sport Exterior Pack</b> – Front aero splitter, rear decklid spoiler, Gloss Black radiator grille with chrome surround, Gloss Black lower mesh, Gloss Black mesh in side power vent, Red painted brake calipers with Jaguar script and 20" Venom alloy wheels in sparkle finish		£2,375.00
<b>Sport Interior Pack<sup>4</sup></b> – Features upgraded 18x18 way soft grain leather Sport seats with electric driver and passenger adjustment, rear heated and cooled seats with 3 position driver's and passenger memory. Including a choice of interior trims (detailed on Premium Luxury Colour and Trim page), stainless steel accessory pedal kit and four zone automatic climate control		£3,400.00
<b>Sport Interior Pack<sup>4</sup> (inc. Ivory Leather)</b> – Features upgraded 18x18 way soft grain leather Sport seats with electric driver and passenger adjustment, rear heated and cooled seats with 3 position driver and passenger memory. Including a choice of interior trims (detailed on Premium Luxury Colour and Trim page), stainless steel accessory pedal kit and four zone automatic climate control		£4,095.00
<b>Rear Seat Comfort Pack<sup>5</sup></b> - Features two independently reclining rear seats with 4-way adjustable lumbar support, massage function, winged headrests for front and rear seats, angled footrest, front seat passenger away function, Active ventilated heated and cooled front and rear seats, and four zone automatic climate control	SWB (18x18 way seat) <sup>3</sup> LWB (18x18 way seat) <sup>3</sup> SWB (20x20 way seat) <sup>3</sup> LWB (20x20 way seat) <sup>3</sup>	£3740.00 £3310.00 £4060.00 £3630.00
<b>Entertainment Pack</b> – Front Dual View functionality with WhiteFire® emitter, one set of wireless headphones, Digital Television Tuner and MP4 video support from USB. Price includes Meridian 825W Surround Audio System		£1,990.00
<b>Entertainment Pack Plus (additional features to above)</b> – Rear seat entertainment providing twin 8 inch LCD screens, two further sets of wireless headphones and independent Touch-screen remote control		£3,320.00

Please consult your local Jaguar dealer for details.

## PREMIUM LUXURY ALLOY WHEEL CHOICES

	STANDARD	OPTIONAL	OPTIONAL	OPTIONAL	OPTIONAL
					
	19" TOBA	18" MERU	19" ALEUTIAN	19" TOBA POLISHED	20" KASUGA
FRONT	9.0J x 19"	8.0J x 18"	9.0J x 19"	9.0J x 19"	9.0J x 20"
REAR	10.0J x 19"	9.0J x 18"	10.0J x 19"	10.0J x 19"	10.0J x 20"
OPTION PRICE	–	NCO	£510.00	£1,020.00	£1,020.00

	OPTIONAL	OPTIONAL	OPTIONAL	SPORT PACK
				
	20" KASUGA POLISHED	20" ORONA	20" ORONA POLISHED	20" VENOM <sup>1</sup>
FRONT	9.0J x 20"	9.0J x 20"	9.0J x 20"	9.0J x 20"
REAR	10.0J x 20"	10.0J x 20"	10.0J x 20"	10.0J x 20"
OPTION PRICE	£2,040.00	£1,020.00	£2,040.00	P

<sup>1</sup>Standard when Sport Exterior Pack option is selected  
All 20" wheels require optional space saver spare wheel  
Please consult your local Jaguar dealer for details.

## PREMIUM LUXURY COLOUR AND TRIM CHOICES

EXTERIOR COLOURS		See page 34 of XJ Brochure
Standard	Ebony Polaris White	
Optional		
Premium	Cashmere Caviar Rhodium Silver Carnelian Red Satellite Grey Indigo Stratus Grey Ultimate Black Crystal Blue Lunar Grey	NCO
Race Inspired	British Racing Green Italian Racing Red	£700.00
Special	Black Amethyst	£700.00

INTERIOR COLOUR COMBINATIONS				See page 39 of XJ Brochure
SEAT Soft grain leather	STITCH	UPPER FACIA Soft grain leather	HEADLINING Morzine	
Standard				
Jet	Jet	Jet	Ivory	
Cashew	Cashew	Truffle	Canvas	
Dove	Dove	Jet	Ivory	

Optional <sup>1</sup>				
Ivory	Ivory	Oyster	Ivory	

SPORT PACK INTERIOR COLOUR COMBINATIONS <sup>2</sup>				See page 41 of XJ Brochure
SEAT Soft grain leather	STITCH	UPPER FACIA Soft grain leather	HEADLINING Suedecloth	
Jet	Ivory	Jet	Ivory or Jet	
Ivory	Jet	Jet	Ivory or Jet	

VENEERS		See page 44 of XJ Brochure
Standard	Gloss Burr Walnut	
Optional		
Piano Black		£1,275.00
Carbon Fibre		£1,275.00
Satin Elm		£205.00
Satin American Walnut		£205.00

SPORT PACK VENEERS <sup>2</sup>		See page 44 of XJ Brochure
Piano Black		
Carbon Fibre		

<sup>1</sup>Requires active ventilated heated and cooled front seats and 3-spoke leather heated steering wheel <sup>2</sup>Only available when Sport Interior Pack option is selected  
Please consult your local Jaguar dealer for details.



# PORTFOLIO

## KEY FEATURES

Soft grain leather seats with driver's and passenger's electric adjustment (18x18 way) featuring driver's and passenger's 3 position seat memory

Active ventilated heated and cooled - front and rear seats

Jaguar Suedecloth headlining

20" Kasuga alloy wheels

Gloss Figured Ebony veneer

Meridian Audio System - 825W with 20 speakers and single slot CD/DVD

Four zone automatic climate control with air filtration, humidity sensing and four zone temperature control for driver, front passenger and independent control for left and right rear passengers

Premium carpet mat set

Reverse park camera with guidance

Bi-function HID Xenon headlamps with Adaptive Front Lighting, cornering lamps and intelligent high beam

Tyre Pressure Monitoring System (TPMS)<sup>1</sup>

3-spoke soft grain leather heated steering wheel with Jaguar Sequential Shift™ paddles and remote controls for audio system, cruise control, Bluetooth® telephone connectivity and Interactive Voice

## OPTIONAL FEATURES

POWERTRAIN AND DRIVING DYNAMICS	Retail Price
Adaptive Cruise Control (ACC) with Forward Alert and Advanced Emergency Brake Assist	£1,275.00

SAFETY AND SECURITY	Retail Price
Blind Spot Monitor	£460.00

MULTIMEDIA	Retail Price
Rear Seat Entertainment - 8 inch dual LCD screens (mounted in rear of front headrests) with Rear Media Interface and Touch-screen remote control and two sets of WhiteFire® digital wireless headphones	£1,530.00

INTERIOR FEATURES	Retail Price
Air quality sensing with auto recirculation	£50.00
Garage door opener with overhead remote control	£305.00
Privacy glass (standard on Long Wheelbase)	£255.00
Front ashtray	NCO
Electric rear window sunblind (standard on Long Wheelbase)	£305.00
3-spoke wood and soft grain leather heated steering wheel with Jaguar Sequential Shift™ paddles and remote controls for audio system, cruise control, Bluetooth® telephone connectivity and Interactive Voice <sup>2</sup>	£355.00
Jet Suedecloth premium headlining	£410.00
Upgrade to 20x20 way adjustable seats including driver's and passenger's 3 position seat memory, 4-way lumbar support and seat massage	£380.00

LONG WHEELBASE ADDITIONAL FEATURES	Retail Price
Delete privacy glass	NCO

PACKS	Retail Price
<b>Illumination Pack</b> - Phosphor blue illumination in front and rear air vents, illuminated tread plates and boot latch finisher	£1,000.00
<b>Sport Exterior Pack</b> - Front aero splitter, rear decklid spoiler, Gloss Black radiator grille with chrome surround, Gloss Black lower mesh, Gloss Black mesh in side power vent, Red painted brake calipers with Jaguar script and 20" Venom alloy wheels in sparkle finish	£1,975.00
<b>Sport Interior Pack</b> <sup>3</sup> - Features upgraded seats and interior trim (detailed on Portfolio Colour and Trim page)	£800.00
<b>Rear Seat Comfort Pack</b> <sup>2</sup> - Features two independently reclining rear seats with 4-way adjustable lumbar support, massage function, winged headrests for front and rear seats, angled footrest, front seat passenger away function, active ventilated heated and cooled front and rear seats, and four zone automatic climate control	SWB/LWB 18x18 way seat £2,490.00 SWB/LWB 20x20 way seat £2,810.00
<b>Entertainment Pack</b> - Front Dual View functionality with WhiteFire® emitter, one set of wireless headphones, Digital Television Tuner and MP4 video support from USB. Price includes Meridian 825W Surround Audio System	£1,170.00
<b>Entertainment Pack Plus (additional features to above)</b> - Rear seat entertainment providing twin 8 inch LCD screens, two further sets of wireless headphones and independent Touch-screen remote control	£2,470.00

NCO No Cost Option

<sup>1</sup>Not available with 18" Meru alloy wheels <sup>2</sup>Not available with Sport Interior Pack <sup>3</sup>Not available with rear seat entertainment, business trays or Rear Seat Comfort Pack

Please consult your local Jaguar dealer for details.

# PORTFOLIO

## ALLOY WHEEL CHOICES

	STANDARD	OPTIONAL	OPTIONAL	OPTIONAL	OPTIONAL
					
	20" KASUGA	19" ALEUTIAN	19" TOBA	19" TOBA POLISHED	20" KASUGA POLISHED
FRONT	9.0J x 20"	9.0J x 19"	9.0J x 19"	9.0J x 19"	9.0J x 20"
REAR	10.0J x 20"	10.0J x 19"	10.0J x 19"	10.0J x 19"	10.0J x 20"
OPTION PRICE	-	NCO	NCO	£1,020.00	£1,020.00

	OPTIONAL	OPTIONAL	SPORT PACK
			
	20" ORONA	20" ORONA POLISHED	20" VENOM <sup>1</sup>
FRONT	9.0J x 20"	9.0J x 20"	9.0J x 20"
REAR	10.0J x 20"	10.0J x 20"	10.0J x 20"
OPTION PRICE	£510.00	£1,530.00	P

<sup>1</sup>Standard when Sport Exterior Pack option is selected

All 20" wheels require optional space saver spare wheel

Please consult your local Jaguar dealer for details.

# PORTFOLIO

## COLOUR AND TRIM CHOICES

EXTERIOR COLOURS		See page 34 of XJ Brochure
<b>Standard</b>	Ebony	
	Polaris White	
<b>Optional</b>	Premium	NCO
	Cashmere	
	Caviar	
	Rhodium Silver	
	Carnelian Red	
	Satellite Grey	
	Indigo	
	Stratus Grey	
	Ultimate Black	
	Crystal Blue	
Race Inspired	£700.00	
	Lunar Grey	
	British Racing Green	£700.00
	Italian Racing Red	
Special	Black Amethyst	£700.00

INTERIOR COLOUR COMBINATIONS				See page 40 of XJ Brochure
SEAT	STITCH/PIPING	UPPER FACIA	HEADLINING	
Soft grain leather		Soft grain leather	Suedecloth	
Jet	Ivory	Jet	Ivory or Jet <sup>1</sup>	NCO or £410.00
Navy	Ivory	Navy	Ivory	
London Tan	Jet	Jet	Canvas or Jet <sup>1</sup>	NCO or £410.00
London Tan	Navy	Navy	Canvas	
Cashew	Truffle	Truffle	Canvas	
Ivory	Jet	Jet	Ivory or Jet <sup>1</sup>	NCO or £410.00
Ivory	Navy	Navy	Ivory	
Ivory	Truffle	Truffle	Ivory	
Ivory	Oyster	Oyster	Ivory	

SPORT PACK INTERIOR COLOUR COMBINATIONS <sup>2</sup>				See page 41 of XJ Brochure
SEAT	STITCH	UPPER FACIA	HEADLINING	
Soft grain leather		Soft grain leather	Suedecloth	
Jet	Ivory	Jet	Ivory or Jet	
Ivory	Jet	Jet	Ivory or Jet	

VENEERS		See page 44 of XJ Brochure
<b>Standard</b>		
Gloss Figured Ebony		
<b>Optional</b>		
Piano Black		£1,275.00
Carbon Fibre		NCO
Gloss Rich Oak		NCO
Gloss Burr Walnut		NCO
Satin Elm		NCO
Satin American Walnut		NCO

SPORT PACK VENEERS <sup>2</sup>		See page 44 of XJ Brochure
Piano Black		
Carbon Fibre		

<sup>1</sup>Jet Suedecloth Headlining is available as a cost option  
<sup>2</sup>Only available when Sport Interior Pack option is selected  
Please consult your local Jaguar dealer for details.

# SUPERSPORT

## KEY FEATURES

Semi-aniline leather seats with driver's and passenger's electric adjustment (18x18 way) featuring driver's and passenger's 3 position seat memory  
20" Mataiva alloy wheels  
Active ventilated heated and cooled - front and rear seats  
Premium carpet mat set with Supersport logo  
Gloss Rich Oak with Linear Laser Inlay veneer  
Meridian Surround Audio System - 825W with 20 speakers and single slot CD/DVD

Television - Digital Tuner  
8 inch Dual View Touch-screen  
Rear Seat Entertainment - 8 inch dual LCD screens (mounted in rear of front headrests) with Rear Media Interface and Touch-screen remote control and two sets of WhiteFire® digital wireless headphones  
Active Differential  
Phosphor blue illumination in front and rear air vents

## OPTIONAL FEATURES

POWERTRAIN AND DRIVING DYNAMICS	Retail Price
Adaptive Cruise Control (ACC) with Forward Alert and Advanced Emergency Brake Assist	£1,275.00

SAFETY AND SECURITY	Retail Price
Blind Spot Monitor	£460.00





INTERIOR FEATURES	Retail Price
Air quality sensing with auto recirculation	£50.00
Garage door opener with overhead remote control	£305.00
Privacy glass (standard on Long Wheelbase models)	£255.00
Front ashtray	NCO
Electric rear window sunblind (standard on Long Wheelbase models)	£305.00
3-spoke wood and soft grain leather heated steering wheel with Jaguar Sequential Shift™ paddles and remote controls for audio system, cruise control, Bluetooth® telephone connectivity and Interactive Voice	£355.00
Tipped Leather Pack	£750.00
Upgrade to 20x20 way adjustable seats including driver's and passenger's 3 position seat memory, 4-way lumbar support and seat massage.*	£380.00




LONG WHEELBASE ADDITIONAL FEATURES	Retail Price
Delete privacy glass	NCO

PACKS	Retail Price
<b>Sport Exterior Pack</b> - Front aero splitter, rear decklid spoiler, Gloss Black radiator grille with chrome surround, Gloss Black lower mesh, Gloss Black mesh in side power vent, Red painted brake calipers with Jaguar script and a choice of 20" Mataiva or 20" Venom alloy wheels in sparkle finish	£1,575.00
<b>Speed Pack</b> - Maximum speed increase from 155mph to 174mph. Front aero splitter, rear decklid spoiler, Gloss Black radiator grille with chrome surround, Gloss Black lower mesh, Gloss Black mesh in side power vent, Red painted brake calipers with Jaguar script, optional Red Zone stitching with Jet/Jet colourway and a choice of 20" Venom alloy wheels in sparkle finish or 20" Mataiva alloy wheels	£3,630.00
<b>Rear Seat Comfort Pack</b> - Features two independently reclining rear seats with 4-way adjustable lumbar support, massage function, winged headrests for front and rear seats, angled footrest, front seat passenger away function, active ventilated heated and cooled front and rear seats, and four zone automatic climate control	SWB/LWB 18x18 way £2,490.00 SWB/LWB 20x20 way £2,810.00

NCO No Cost Option  
Please consult your local Jaguar dealer for details.

## SUPERSPORT ALLOY WHEEL CHOICES

	STANDARD	OPTIONAL	OPTIONAL	OPTIONAL	OPTIONAL
					
	20" MATAIVA	19" ALEUTIAN	19" TOBA	19" TOBA POLISHED	20" KASUGA
FRONT	9.0J x 20"	9.0J x 19"	9.0J x 19"	9.0J x 19"	9.0J x 20"
REAR	10.0J x 20"	10.0J x 19"	10.0J x 19"	10.0J x 19"	10.0J x 20"
OPTION PRICE	–	NCO	NCO	£1,020.00	NCO

	OPTIONAL	OPTIONAL	OPTIONAL	SPEED PACK
				
	20" KASUGA POLISHED	20" ORONA	20" ORONA POLISHED	20" VENOM <sup>1</sup>
FRONT	9.0J x 20"	9.0J x 20"	9.0J x 20"	9.0J x 20"
REAR	10.0J x 20"	10.0J x 20"	10.0J x 20"	10.0J x 20"
OPTION PRICE	£1,020.00	NCO	£1,020.00	P

NCO No cost option  
<sup>1</sup>Standard when Speed or Exterior Sport Pack option is selected  
 All 20" wheels are supplied with 19" space saver spare wheel as standard  
 Please consult your local Jaguar dealer for details.

## SUPERSPORT COLOUR AND TRIM CHOICES

EXTERIOR COLOURS		See page 34 of XJ Brochure
Standard	Ebony	
	Polaris White	
Optional		
Premium	Cashmere	NCO
	Caviar	
	Rhodium Silver	
	Carnelian Red	
	Satellite Grey	
	Indigo	
	Stratus Grey	
	Ultimate Black	
	Crystal Blue	
	Lunar Grey	
Race Inspired	British Racing Green	NCO
	Italian Racing Red	
Special	Black Amethyst	NCO

INTERIOR COLOURS COMBINATIONS				See page 42 of XJ Brochure
SEAT Semi-aniline leather	STITCH/PIPING	UPPER FACIA Soft grain leather	HEADLINING Soft grain leather	
Jet	Tonal/Jet	Jet <sup>1</sup>	Parchment or Jet	
Bordeaux	Bordeaux	Bordeaux	Parchment	
London Tan	Jet/London Tan	Jet	Parchment or Jet	
Parchment	Navy	Navy	Parchment	
Parchment	Truffle	Truffle <sup>2</sup>	Parchment	
Parchment	Bordeaux	Bordeaux	Parchment	

ADDITIONAL COLOUR COMBINATIONS IF SPEED PACK IS SELECTED				See page 43 of XJ Brochure
SEAT Semi-aniline leather	STITCH/PIPING	UPPER FACIA Soft grain leather	HEADLINING Soft grain leather	
Jet	Red Zone/Jet	Jet	Parchment or Jet	

VENEERS		See page 44 of XJ Brochure
Standard	Gloss Rich Oak with Linear Laser Inlay	
Optional		
	Piano Black	£1,275.00
	Carbon Fibre	NCO
	Gloss Figured Ebony with Ribbon Laser Inlay	NCO
	Gloss Walnut Curl	NCO
	Gloss Shadow Walnut	NCO
	Satin Zebrano	NCO

<sup>1</sup>Tipped leather option on door panniers, door top rolls, facia topper and driver's binnacle  
<sup>2</sup>Tipped leather option on doortop rolls, facia topper and driver's binnacle  
 Please consult your local Jaguar dealer for details.

# ULTIMATE

## KEY FEATURES

Hand built semi-aniline leather seats with driver's and passenger's electric adjustment (20x20 way) featuring driver's and passenger's 3 position seat memory and seat massage

Two individual, hand built 'tailored' rear seats in semi-aniline premium natural leather, with recline, massage and 4-way lumbar adjust

20" Maroa alloy wheels

Herringbone veneer

Seat back iPad dock with two iPads integrated into the back of the front seats

Integrated rear chiller with bottle holder

Full partition leather trimmed rear centre console with phosphor blue accent lighting and stowage areas including; powered passenger table, integrated cup holders, 2 Goran Hongell 'Aarne' champagne glasses, Rear Seat Entertainment controller docking, and, Rear Media Interface with USB and RCA connectors

## OPTIONAL FEATURES

POWERTRAIN AND DRIVING DYNAMICS	Retail Price
Adaptive Cruise Control (ACC) with Forward Alert and Advanced Emergency Brake Assist	£1,275.00

SAFETY AND SECURITY	Retail Price
Blind Spot Monitor	£460.00

INTERIOR FEATURES	Retail Price
Air quality sensing with auto recirculation	£50.00
Garage door opener with overhead remote control	£305.00
Front ashtray	NCO
Delete privacy glass	NCO
3-spoke wood and soft grain leather heated steering wheel with Jaguar Sequential Shift™ paddles and remote controls for audio system, cruise control, Bluetooth® telephone connectivity and Interactive Voice	£355.00

NCO No Cost Option

Please consult your local Jaguar dealer for details.

# ULTIMATE

## COLOUR AND TRIM CHOICES

### STANDARD WHEEL



20" MAROA

FRONT	9.0J x 20"
REAR	10.0J x 20"

### EXTERIOR COLOURS See page 34 of XJ Brochure

<b>Standard</b>	Ebony	
	Polaris White	
<b>Optional</b>	Cashmere	NCO
	Caviar	
	Rhodium Silver	
	Carnelian Red	
	Satellite Grey	
	Indigo	
	Stratus Grey	
	Ultimate Black	
	Crystal Blue	
	Lunar Grey	
<b>Race Inspired</b>	British Racing Green	NCO
	Italian Racing Red	
<b>Special</b>	Black Amethyst	NCO

Please consult your local Jaguar dealer for details.

### INTERIOR COLOUR COMBINATIONS See page 43 of XJ Brochure

SEAT Semi-aniline leather	STITCH	UPPER FACIA Soft grain leather	HEADLINING Soft grain leather
Jet	Tonal	Jet	Ivory
Ivory	Bordeaux	Bordeaux	Ivory
Ivory	Mineral	Mineral	Ivory

### veneers See page 44 of XJ Brochure

<b>Standard</b>
Herringbone

### Optional

Piano Black	NCO
Carbon Fibre	NCO
Gloss Rich Oak	NCO
Gloss Figured Ebony	NCO
Gloss Rich Oak with Linear Laser Inlay	NCO
Gloss Figured Ebony with Ribbon Laser Inlay	NCO
Gloss Walnut Curl	NCO
Gloss Burr Walnut	NCO
Gloss Shadow Walnut	NCO
Satin Elm	NCO
Satin Zebrano	NCO
Satin American Walnut	NCO

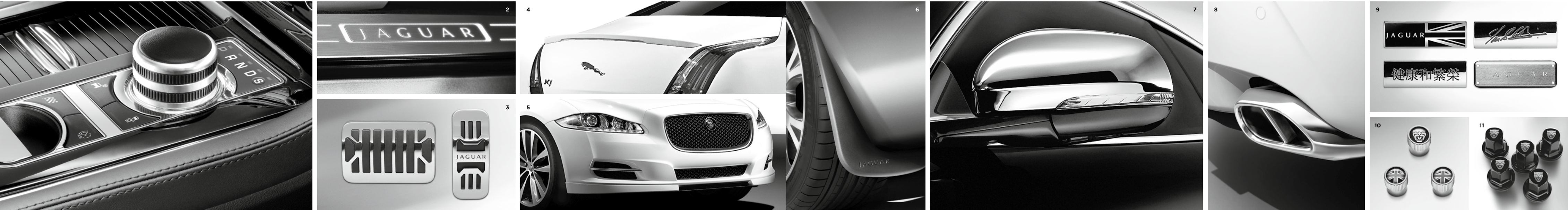
## ACCESSORIES

EXTERIOR STYLING			Retail Price
Polished tailpipe finishers	Polished Stainless Steel Exhaust finishers add further style and refinement to your XJ.		C2D25247 £284.00
Aero splitter and decklid spoiler	Aggressive front aero splitter featuring colour coded outer sections and gloss black centre piece, lowers the front profile of the XJ to guide air beneath the chassis more efficiently at speed, improving overall performance dynamics. A refined colour-keyed decklid spoiler further increases downforce at speed, providing real handling improvements. Please note Splitter and Spoiler must be fitted in unison.		C2D26935LML £860.92
Gloss Black radiator and lower intake grilles	Offered in a glinting Gloss Black finish providing an aggressive finish.	Black lower grille	C2D23093 £429.25
		Black radiator grille kit	C2D23092 £429.25
Gloss Black side power vents	Add an aggressive styling upgrade with Gloss Black Side Power Vents.		C2D26937 £204.00
Chrome mirror covers	Chrome mirror covers accentuate the stylish design of the XJ's exterior mirrors.		C2D5488 & C2D5489 £174.00
Splash guards	Front and rear Jaguar branded splash guards complement the lines of the XJ and provide protection to the vehicle from dirt and stone chippings.	Front	C2D8498 £80.00
		Rear	C2D8499 £80.00
Styled valve caps	Complete the look of your XJ's alloy wheels with custom valve caps.	Valve caps with Black Jack	C2D19598 £24.00
		Valve caps with Union flag	C2D19599 £24.00
		Valve caps with Jaguar Growler	C2D19596 £24.00
Centre wheel badge	A distinctive red centre wheel badge featuring the Jaguar logo that fits all available alloy wheels.	Red wheel centre badge	C2D12326 £14.00
Alloy Wheels	The alloy wheels shown throughout the XJ Specification and Price Guide may also be available as an accessory fitment. Please consult your local Jaguar dealer for availability.	Aleutian 19"	Front/Rear C2D4499/C2D4500 £1,029.58/£1,092.62
		Amirante 20"	Front/Rear C2D7439/C2D7440 £1,170.00/£1,255.99
		Kasuga 20"	Front/Rear C2D4245/C2D4246 £1,134.65/£1,218.70
		Kasuga polished 20"	Front/Rear C2D9177/C2D9178 £1,255.99/£1,320.00
		Meru 18"	Front/Rear C2D4497/C2D4498 £844.01/£952.01
		Orona 20"	Front/Rear C2D7283/C2D7284 £1,170.00/£1,255.99
		Orona polished 20"	Front/Rear C2D7285/C2D7286 £1,255.99/£1,320.00
		Toba 19"	Front/Rear C2D7287/C2D7288 £1,126.01/£1,170.00
Growler wheel nuts	Enhance the look of your alloy wheels with Jaguar Growler branded black or chrome wheel nuts.	Wheel nut kit - Growler chrome	C2D20072 £177.00
		Wheel nut kit - Growler black	C2D20073 £177.00

Please consult your local Jaguar dealer for details.

INTERIOR STYLING			Retail Price
Illuminated sill tread plates	Elegantly styled aluminium sill tread plates illuminate when the driver or passenger doors are opened. Highlighted by soft phosphor blue lighting.	Standard Wheelbase front left/right	C2D17703/C2D17702 £135.00
		Standard Wheelbase rear left/right	C2D17706/C2D17704 £166.00
		Long Wheelbase front left/right	C2D17703/C2D17702 £135.00
		Long Wheelbase rear left/right	C2D17705/C2D17707 £163.00
Sport pedal covers	Made from stainless steel and rubber, the pedal kit fits securely over existing pedals for a contemporary, sporting appearance.	RHD/LHD	C2D8416 £115.00
Gear selector	A specially designed gear selector with premium dark leather finished top and rubber bezel with soft touch grip.		C2D21919PVJ & C2D21956 £82.00
Intaglio	To add a further degree of individuality, the Jaguar branded Intaglio at the front of the XJ's cabin can be personalised with your own name, inscription, design or logo. It is also offered with a variety of other designs, including XJ creator Ian Callum's signature.	Jaguar Flag	C2D14681 £51.00
		Ian Callum signature	C2D17977 £165.00
		Personalised	C2D14682 £386.00
Illuminated boot finisher	Outlining the luggage compartment with laser thin phosphor blue lines of light this stylish Jaguar branded stainless steel finisher fills the area with a cool distinctive glow.		C2D22758 £267.00
Luggage compartment premium carpet mat	Luxurious soft luggage mat in Jet Black with the Jaguar logo. Deep premium 2000 g/m <sup>2</sup> pile with nubuck edging and Dove contrast stitch.		C2D7450 £120.00

## ACCESSORIES



1. GEAR SELECTOR 2. ILLUMINATED SILL TREAD PLATES 3. SPORT PEDAL COVERS 4. DECKLID SPOILER 5. AERO SPLITTER

6. SPLASH GUARDS 7. CHROME MIRROR COVERS 8. POLISHED STAINLESS STEEL EXHAUST FINISHERS 9. INTAGLIO 10. STYLED VALVE CAPS 11. GROWLER WHEEL NUTS

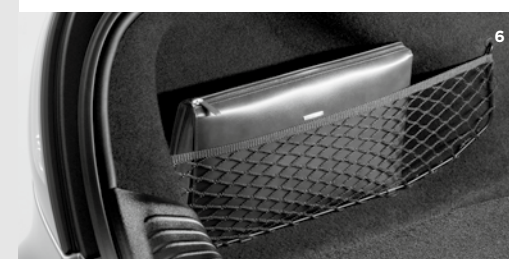
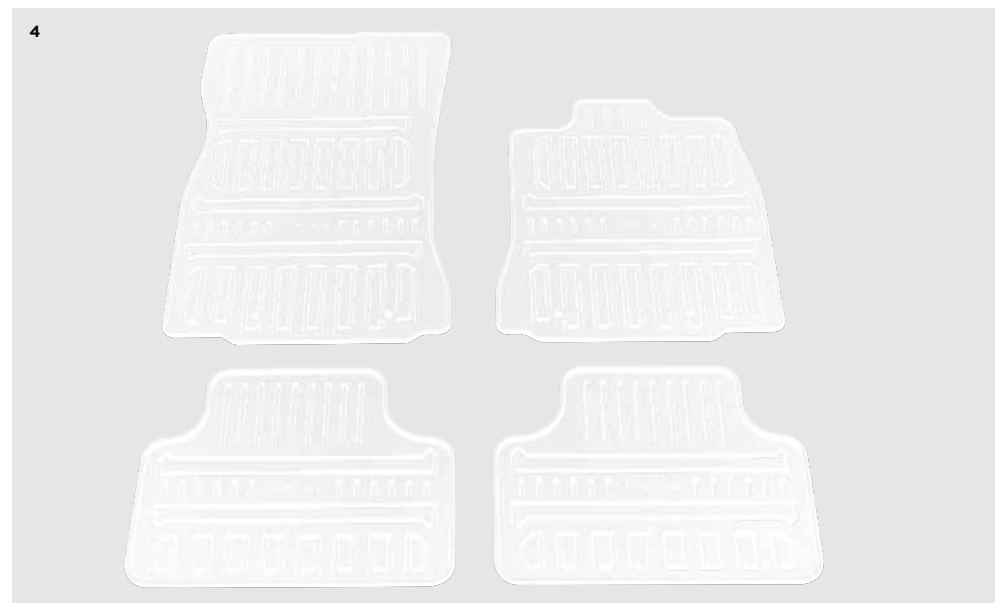
## ACCESSORIES

INTERIOR UTILITY			Retail Price	
Headrest mounted coat hanger	Mounting simply and securely this coat hanger is easy to fit and remove and provides a convenient stowage point to keep clothing wrinkle free.	C2Z23416	£34.56	
Premium infant carrier	Designed for the optimal safety of babies and small children (birth - 13kg) to ride securely in the XJ. Recommend ISOFIX base.	C2C36774	£236.40	
Child seat	Built to the highest safety standards to ensure children (9kg - 18kg) experience the full security of the XJ's seatbelts. Recommend ISOFIX base.	C2C35104	£371.00	
Child seat with booster cushion	Helps raise slightly older children (15kg - 36kg) so that they can receive the full benefit of the XJ's seatbelt system. Recommend ISOFIX base.	C2C35572	£213.00	
ISOFIX base	Base for Childseat Group 0+	C2C36774	£236.40	
Rubber footwell mats	Hard wearing Jaguar branded rubber mats provide added protection for your XJ's carpets.	Standard Wheelbase front	C2D7784	£80.00
		Standard Wheelbase rear	C2D7785	£58.00
		Long Wheelbase front	C2D7784	£80.00
		Long Wheelbase rear	C2D7786	£87.00
Ski bag	Manufactured from durable 600D polyester the ski bag features padded construction to provide protection and removeable shoulder straps to aid carrying. Carries up to two pairs of skis and poles up to 180cm long.	C2Z23531	£123.60	
Luggage compartment liner	This premium liner tailored specifically for the XJ luggage compartment will protect the load space area of the boot. Light and durable, it is easily removable for cleaning.	C2Z5613	£108.00	
Luggage compartment nets	A set of two nets provide additional enclosed storage in the luggage compartment and help to secure loose items such as bags or small parcels. Jaguar recommend that these nets are ordered in conjunction with the Rear Seat Comfort Pack to enable stowage of footrest when not in use.	C2D14680	£45.00	
Ski hatch	Convenient hatch providing the ability to carry skis, snowboards or other long items through the loadspace into the cabin area.	Standard seat	C2D23137	£756.00
		Electric seat	C2D24404	£741.60
Battery charger	Diagnoses, monitors and maintains the battery at optimum levels ensuring prolonged battery life and reliability. Features integrated wiring and a dedicated DIN socket within the loadspace area, providing convenience and ease of use.	C2P24103	£118.40	
iPad holder	Mounts to front seat headrests providing a flexible solution for rear seat entertainment. Quick release design ensures iPad can be fitted or removed quickly and easily.	C2Z22935	£156.00	
Flexible luggage retainer	Provides a neat stowage solution to help secure luggage or other items within the loadspace area.	C2D20903	£42.02	
Premium seat back stowage	Bespoke seat back stowage offered in a premium high quality leather material provides a neat stowing solution in the cabin area for small/handheld items. Features embossed Jaguar branding and high quality synthetic materials for interior compartments.	C2Z24589	£169.92	

CAR CARE, TRACTION AIDS AND MAINTENANCE			Retail Price	
Alloy wheel cleaner	Jaguar and Autoglym have collaborated to develop and rigorously test a unique high performance wheel cleaner formula. This specially formulated alloy wheel cleaner is the only wheel cleaning product approved as compliant with Jaguar's exacting technical requirements and is officially recommended for all Jaguar vehicles. Available as a 500ml trigger spray.	C2D20074	£12.00	
All-weather car cover	All-weather tailored cover for the XJ with the Jaguar logo. Protect your XJ from the elements, including showers, frost and dust. Quick and easy to fit.	Standard Wheelbase	C2D7599	£321.00
		Long Wheelbase	C2D8821	£343.00
Snow sock winter traction aid	An innovative lightweight textile alternative to snowchains for traction in snowy and icy conditions. Please consult your local Jaguar dealer for the correct pack to suit your wheel and tyre size.	Snowsock Pack 695	C2D20229	£86.00
		Snowsock Pack 697	C2D20230	£86.00
		Snowsock Pack 69J	C2D20228	£86.00
Snow traction system	High grip snow chain traction system for driving in snowy, muddy or icy conditions. Fits the rear wheels only.	XR836517	£781.20	
Fire extinguisher		C2D14752	£94.00	
First aid kit		C2A1287	£48.00	
Warning triangle		C2520992	£40.00	
Locking wheel nuts	Protect your wheels with custom designed high security locking wheel nuts.	C2C9198	£87.00	
Stolen vehicle tracking	Jaguar TrackStar is an authorised pan-European vehicle tracking system. Fully compliant with insurance standards, your XJ can be constantly monitored and located in any country with GSM mobile phone systems.		N/A	

Please consult your local Jaguar dealer for details.

## ACCESSORIES



1. ALL-WEATHER CAR COVER 2. SNOW SOCK WINTER TRACTION AID 3. CHILD SEAT 4. RUBBER FOOTWELL MATS

5. LUGGAGE COMPARTMENT PREMIUM CARPET MAT 6. LUGGAGE COMPARTMENT NET 7. FLEXIBLE LUGGAGE RETAINER 8. HEADREST MOUNTED COAT HANGER 9. IPAD HOLDER



## GLOSSARY

### POWERTRAIN AND DRIVING DYNAMICS

#### JAGUAR SEQUENTIAL SHIFT™

Provides the choice of Drive, Sport Automatic or Manual gearshift modes, with one touch paddles mounted behind the steering wheel to control gear changes up and down manually.

#### JAGUARDRIVE CONTROL™

Offers different modes selectable by a button to optimise the vehicle response depending on driving conditions and style.

#### DYNAMIC STABILITY CONTROL (DSC)

Intervenes in demanding driving situations by applying braking to individual wheels and reducing engine torque.

#### TRAC DSC MODE

Trac DSC optimises the DSC settings for maximum traction in difficult conditions such as packed snow. The less restrictive settings of Trac DSC also enable a more involving and focused driving experience.

#### DYNAMIC MODE

Dynamic mode co-ordinates the car's control systems to deliver a high performance driving experience. When Dynamic mode is selected, the transmission switches to manual and Trac DSC is automatically engaged.

#### WINTER MODE

Designed for use in slippery conditions, Winter mode selects 2nd gear for pulling away on level ground. This helps to ensure that optimum traction is maintained.

#### ADAPTIVE DYNAMICS

Continuously monitors the road and driver inputs and optimises the car's suspension settings for ride comfort and control.

#### ACTIVE DIFFERENTIAL

Limits the slip between the rear wheels, improving traction on uneven road surfaces. Can also improve stability in oversteer situations.

#### CRUISE CONTROL WITH AUTOMATIC SPEED LIMITER (ASL)

In tandem with cruise control, an Automatic Speed Limiter (ASL) allows the driver to select a maximum speed above 30km/h / 18mph that should not be exceeded.

#### ADAPTIVE CRUISE CONTROL (ACC)

Uses microwave radar technology to monitor for slower moving traffic and can alert you to potential hazards ahead. It also controls both throttle and brakes to help maintain a constant time gap to the vehicle in front. When the road ahead clears, the system automatically accelerates back to the speed at which you were driving. Forward Alert provides an audible warning if traffic ahead slows.

#### ADVANCED EMERGENCY BRAKE ASSIST

Is an enhancement to the ACC function. The system calculates distance and speed of approach to the vehicle in front and pre-charges the brakes to minimise impact speed if a collision is predicted. The ACC interacts with the Virtual Instruments to provide the driver with information on driving conditions.

#### INTELLIGENT STOP/START

Stop/Start is a technology that stops the engine when it is not needed, improving the fuel economy and reducing the car's CO<sub>2</sub> emissions. The engine will re-start immediately as soon as the driver's foot is released from the brake pedal.

### SAFETY

#### AIRBAG AND SEAT OCCUPANT SENSING SYSTEM

Side airbags, curtain airbags and two-stage driver and front passenger airbags, all controlled by a seat occupant sensing system to ensure they work only when needed. The Anti-Whiplash System, built into the XJ's front seats and 'soft-landing' technology in the seat-belt retractors soften contact with the airbags in the front.

#### PEDESTRIAN CONTACT SENSING SYSTEM™

Industry-leading system that senses an impact between a pedestrian and the front of the car. It instantaneously raises the bonnet through a small distance in a very controlled way, to help prevent the pedestrian from contacting hard points under the bonnet.

### EXTERIOR FEATURES

#### POWER BOOT LID WITH HEIGHT ADJUSTMENT

The boot lid is opened and closed electronically, with either a single press on the remote key, a switch inside the boot lid or by the external bumper switch. The boot lid is easily programmed to open to your required height.

#### ADAPTIVE FRONT LIGHTING

Sensors react to the car's speed and steering input, and the system can deflect headlamp beams casting light deeper into corners, giving added confidence at night. Intelligent high beam automatically maximises driver visibility. When sensing preceding, oncoming traffic or street lights, the headlamps will automatically switch to low beam.

#### BLIND SPOT MONITOR

Uses radar sensors to remotely cover areas that cannot be seen either directly or by the mirror, and alerts the driver of overtaking traffic with an amber warning icon in the external mirrors.

#### REAR PARKING AID

Rear parking aid with Touch-screen visual indicator.

#### FRONT PARKING AID

Front parking aid with Touch-screen visual indicator.

#### REVERSE PARK CAMERA WITH GUIDANCE

Combines a rear-facing camera with the Touch-screen information, it features coloured distance guides and on-screen guidance lines that move according to steering wheel angle to indicate the area into which the car will reverse.

### INTERIOR FEATURES

#### JAGUAR SENSE™

An electronic control system that operates the front overhead console lights and opening of the glovebox by a light touch.

#### JAGUAR SMART KEY SYSTEM™

With the Jaguar Smart Key in your pocket or bag, the car automatically unlocks as you pull the door handle. Simply push the ignition button to start the engine. Upon leaving, press a button on the door handle to lock the car or use the Jaguar Smart Key.

#### DUAL ZONE CLIMATE CONTROL

With humidity control, air filtration and dual temperature control for driver and front passenger.

#### FOUR ZONE CLIMATE CONTROL

Adds independent automatic temperature control for left and right rear passengers in addition to the front dual zone.

#### LONG WHEELBASE

Long Wheelbase models feature additional space in the rear cabin with 1,121mm of rear legroom, 134mm more than the Standard Wheelbase. Additional features as standard include four zone automatic climate with independent temperature controls for rear seat passengers, illuminated rear vanity mirrors, rear privacy glass, rear window electric sunblind and rear passenger window manual sunblinds. Rear business trays, finished in hand crafted veneer, are also standard on XJL Portfolio and XJL Supersport, and optional on XJL Premium Luxury.

### MULTIMEDIA

#### VIRTUAL INSTRUMENTS<sup>2</sup>

12.3 inch screen with TFT (Thin Film Transistor) technology that replaces a traditional instrument cluster. Virtual information display to include speed, rpm, distance, trip computer functionality and key information for navigation, audio and telephone. Includes normal, Winter and Dynamic Mode displays.

#### TOUCH-SCREEN<sup>2</sup>

8 inch colour Touch-screen display that controls major functions including audio, climate control, Bluetooth® telephone connectivity, trip computer and navigation.

#### DUAL VIEW TOUCH-SCREEN<sup>1,2</sup>

Allows driver and passenger to see two different views on the same 8 inch colour Touch-screen, enabling access to different functions at the same time. Driver enabled access to Touch-screen controls, audio and navigation. Passenger has WhiteFire® digital wireless headphones to watch TV or DVD via Dual View controls.

#### INTERACTIVE CONTROLS

Two 5-way steering wheel mounted controls allow the driver to manage frequently-used functions via Virtual Instrument menus without taking hands off the wheel or looking at Touch-screen menus. Additional controls below the steering wheel spokes operate Cruise Control, telephone and Interactive Voice functions.

#### INTERACTIVE VOICE<sup>2,3</sup>

Gives the user voice control of audio, Bluetooth® telephone connectivity and navigation functions. When in operation, as well as audible prompts, all commands appear in the Virtual Instruments.

#### MEDIA HUB

The Media Hub allows various devices to be connected to the car, whether this is wirelessly via Bluetooth® or through the Front Media Interface for audio and video. Located in the centre console storage box, a docking panel includes a 3.5mm auxiliary jack plug socket, a 12-volt power supply, plus two USB connectors that allow connectivity with a wide range of USB devices. The dock is compatible with all iPod's from generation 3 to the latest iPod touch. It will also support any USB mass-storage device and MP3 players with USB connectivity. Full function control of iPod or MP3 is available through the Touch-screen menus.

#### FRONT MEDIA INTERFACE

Part of the Media Hub. Allows the connection of an iPod, MP3 player or two USB Mass Storage Devices to the in-car sound system, each independently controlled via the 8 inch Touch-screen and steering wheel mounted controls.

#### REAR MEDIA INTERFACE

Part of the Media Hub. Allows the connection of an iPod, MP3 player or one USB Mass Storage Device in the rear when Rear Entertainment is fitted.

#### SINGLE SLOT CD/DVD<sup>1</sup>

Single slot CD/DVD which is capable of playing video and audio discs. File formats include Windows Media Audio (WMA), AAC and MP3.

#### BLUETOOTH® AUDIO STREAMING

A Bluetooth® equipped Jaguar, enables hands free use of your mobile phone at any time when the phone is in the car through the Touch-screen. Bluetooth® also provides the ability to stream audio content, and full function control enables easy track selection. Bluetooth® is compatible with many mobile phones from most manufacturers including Apple, BlackBerry® and HTC – ask your local Jaguar dealer or visit jaguar.co.uk for more details.

### MULTIMEDIA [CONTINUED]

#### JAGUAR AUDIO SYSTEM (250W)<sup>1</sup>

250W with AM/FM radio featuring single slot CD/DVD, MP3 compatibility, a hard disk drive (HDD) for storage of up to 10 CDs of uncompressed music and 12 speakers. Controlled through the Touch-screen and Interactive Controls. Powered by a dedicated 8-channel amplifier featuring Audyssey MultEQ® audio equalisation and Dynamic Volume Control, that actively compensates for cabin noise. This amplifier powers 12 speakers, with 3 in each door.

#### MERIDIAN AUDIO SYSTEM (380W)<sup>1</sup>

As Jaguar Audio System, with a powerful 12-channel Class-D, DSP amplifier featuring Audyssey MultEQ® audio equalisation, a hard disk drive (HDD) for storage of up to 10 CDs of uncompressed music and Dynamic Volume Control with 14 speakers, including 2 subwoofers and 2 8 inch front door woofers. In addition to the cabin audio output this system features 3 additional audio channels which can be accessed through the WhiteFire® digital wireless headphones when either Dual View or Rear Seat Entertainment is specified.

#### MERIDIAN SURROUND AUDIO SYSTEM (825W)<sup>1</sup>

As Jaguar Audio System, with either Dolby® Pro Logic® IIx or DTSTM neo 6, a hard disk drive (HDD) for storage of up to 10 CDs of uncompressed music and 20 speakers including 2 subwoofers and 2 front door woofers. In addition to the cabin audio output this system features 3 additional audio channels which can be accessed through the WhiteFire® digital wireless headphones when either Dual View or Rear Seat Entertainment is specified. The headphone system includes Dolby® Headphone Surround when listening to the DVD source.

#### NAVIGATION SYSTEM WITH HDD MAPPING<sup>2</sup>

HDD based system, providing faster access to data including postcode entry, destination entry on the move (Europe only), voice guidance, voice control input, RDS and TMC (Traffic Messaging Channel)/Dynamic Route guidance, accessed through Touch-screen control system. The navigation system can be set to interact with the Virtual Instruments. On approach to a junction or turning, navigation information will be displayed in the information dial in the Virtual Instruments.

#### TRAFFIC MESSAGE CHANNEL (TMC)<sup>2</sup>

An application of the FM Radio Data System (RDS) used for broadcasting real-time traffic and weather information. Data messages are received and decoded by a TMC-equipped car radio or navigation system, and delivered to the driver in a variety of ways. The most common of these is a TMC-enabled navigation system that can offer dynamic route guidance, alerting the driver of a problem on the planned route and calculating an alternative route to avoid the incident.

#### REAR SEAT ENTERTAINMENT<sup>1</sup>

State of the art digital Rear Entertainment system with 8 inch dual screens controlled by a rear Touch-screen remote control that docks and charges in the rear centre armrest. The system also includes a Rear Media Interface, that allows connectivity with a wide range of USB devices. With Rear Seat Entertainment fitted, rear passengers can watch TV, DVD or streamed video via the Rear Media Interface. The system includes dual WhiteFire® digital wireless headphones and transmitter.

<sup>1</sup>Different DVDs exist in different regions. Please consult your local Jaguar dealer for details of which countries are covered by the DVD supplied with your vehicle.

<sup>2</sup>The navigation system must always be used in conditions that will not affect the driver's ability to drive safely or affect the safety of other road users.

<sup>3</sup>Interactive Voice – please consult your local Jaguar dealer for language availability.

Please consult your local Jaguar dealer for details.

## OWNERSHIP EXPERIENCE

Service, assurance, and peace of mind are all part of the pride of owning your XJ.

### THE JAGUAR ACCESSORY RANGE†

Enabling you to personalise your car, to create a driving experience that is even more individually rewarding. All Jaguar accessories are tested rigorously for safety and durability in the most arduous of climates and conditions. A comprehensive range of styling options, interior and exterior accessories, enabling you to tailor your XJ to suit your personal style. The full range of Jaguar accessories is available to view on-line, please visit [jaguar.co.uk](http://jaguar.co.uk) for further information.

Any genuine Jaguar Accessories (excluding gift items and luggage from Jaguar Collection) supplied and fitted by a Jaguar dealer within one month or 1,500km/1,000 miles (whichever occurs first) of a new vehicle being put into service will benefit from the same warranty terms and duration as the Vehicle Warranty. Accessories purchased outside of this period will be subject to 12 month unlimited mileage warranty.

### BECAUSE ONLY THE BEST WILL DO

An official Jaguar dealer or Approved Service Centre can ensure that Jaguar trained, specialist technicians, with access to the full range of Jaguar approved parts and tools, will always be on hand to guarantee that every fitting, or repair, is carried out exactly the way Jaguar intended. Your Jaguar dealer or Approved Service Centre can also supply and fit Jaguar approved accessories to personalise and add to the practicality and style of your XJ model.

### SERVICE AND ASSURANCE\*

Complete peace of mind including Competitively Priced Servicing, Seasonal Health Checks and Total Tyre Care to ensure that your Jaguar XJ retains its premium condition, delivering optimal performance.

### WARRANTY\*

3 year warranty together with a 3 year Paint Surface Warranty and a 6 year Corrosion (Perforation) Warranty.

### JAGUAR MAGAZINE

Jaguar Magazine is the official magazine of Jaguar Cars. It features the new Jaguar XJ, XK and XF, and the worlds of luxury, style, design and travel. The fully interactive Jaguar Magazine iPad app takes the very best of the print edition of the Magazine and adds extra images, and exclusive information, allowing you to explore Jaguar's world in a whole new way.

### JAGUAR.CO.UK

Jaguar's official interactive website contains the latest information on Jaguar models and pricing. It also features helpful tools such as a dealer locator and a new model configurator allowing you to see the car tailored to your specification and colour.

### JAGUAR FINANCIAL SERVICES\*

Whether your requirements are business or personal please contact your local Jaguar dealer to discuss a range of finance and insurance products that can be tailored to meet your needs.

\*Terms and conditions apply. Please contact your local Jaguar dealer for more information.

†All Jaguar Approved Accessories are rigorously tested to the same exacting standards as those applied to our vehicles. Performance in extreme hot and cold temperatures, corrosion resistance, impact and airbag deployment highlight some of the exhaustive product testing carried out so that Accessories are both durable and importantly, continue to comply with current legislation.



### IMPORTANT NOTICE

Jaguar Cars Limited is constantly seeking ways to improve the specification, design and production of its vehicles and alterations take place continually. Whilst every effort is made to produce up to date literature, this brochure should not be regarded as an infallible guide to current specification, nor does it constitute an offer for the sale of any particular vehicle. Distributors and dealers are not agents of Jaguar Cars Limited by any express or implied undertaking or representation.

Comparisons are based on manufacturer's own data and testing.

### ENVIRONMENTAL INNOVATION AT JAGUAR

Jaguar is proud to continue the company's tradition with its approach to Environmental Innovation. From the choice of lightweight materials and lean production methods to the efficiency of its engines and designs, Jaguar is committed to operating as a more sustainable business and reducing its overall environmental impact.

Jaguar's flagship XJ model was the first in the company to achieve ISO 14040, the international standard for vehicle 'whole life cycle' assessment. This certification measures the environmental impact of XJ from component material sourcing and manufacturing process, through its driven life time, to final disposal. But that's not all. Every new Jaguar vehicle is designed to be 85% recyclable and reusable, in addition to 95% recoverable and reusable with 10% for energy generation.

Jaguar is committed to reducing dependency on fossil fuels, using fewer resources and creating less waste. Already the manufacturing assembly CO<sub>2</sub> emissions of each Jaguar built in the UK since 2009 is offset. For every tonne of CO<sub>2</sub> emitted in the assembly process, Jaguar invests in carbon reduction projects that reduce an equivalent tonne of CO<sub>2</sub> elsewhere. Offsetting allows Jaguar to take action now, to reduce its impact on the environment, as part of an integrated carbon management plan. This company plan includes targets to reduce operating CO<sub>2</sub> emissions and waste to landfill by 25% by 2012, water consumption by 10% by 2012 and fleet average tailpipe CO<sub>2</sub> emissions by 25% by 2015, based on 2007 levels.

But it doesn't stop there. World class manufacturing facilities certified to ISO 14001 since 1998, transport miles have been cut from delivery routes and new ways are being introduced to produce energy from food waste at our headquarters in the UK. That's Environmental Innovation at Jaguar.

The Bluetooth® word mark and logos are owned by the Bluetooth SIG, Inc. and any use of such marks by Jaguar Cars Limited is under license.

iPod, iPod touch and iPad are trademarks of Apple Inc., registered in the U.S. and other countries.

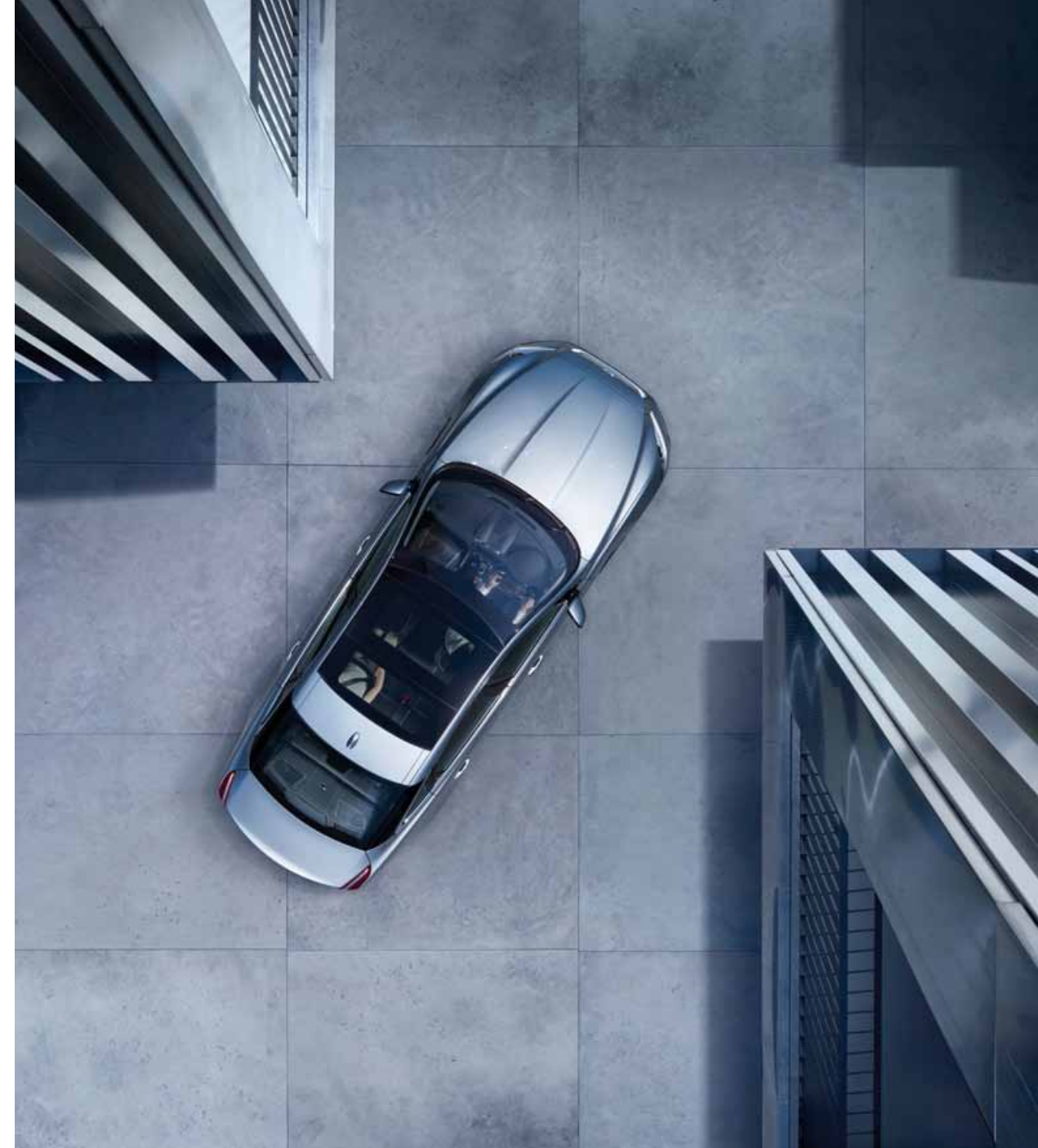
BlackBerry® is a trademark of Research In Motion Limited and is registered in the U.S. and may be pending or registered in other countries.

Dolby and Pro Logic are registered trademarks of Dolby Laboratories.

Meridian Audio is a registered trademark of Meridian Audio LTD.

Jaguar Cars Limited,  
Registered Office: Abbey Road, Whitley,  
Coventry, CV3 4LF, United Kingdom  
Registered in England Number: 1672070  
[jaguar.co.uk](http://jaguar.co.uk)

JLM/10/43/04/1212





JAGUAR.CO.UK

