



SHIFT_

NISSAN CABSTAR EURO 5



[Contents](#) | [Exterior design](#) | [Interior design](#) | [Technology & Performance](#) | [Style & Accessories](#) | [Technical specifications](#) | [Price List](#) | [Commitments](#)

[Print](#) | [Close](#)

[REQUEST A TEST DRIVE](#)





LOOK & FEEL

EXTERIOR DESIGN	4
INTERIOR DESIGN	8

TECHNOLOGY & PERFORMANCE

NISSAN CONNECT	12
POWER PUSH	14
ENHANCED ENGINE	15
EFFORTLESS HANDLING	16
SAFETY & SECURITY	18
DUAL CAPACITY	20
STORAGE SPACE	22
CHASSIS	24
FEATURES AND OPTIONS	28
GOOD TO GO	30

STYLE & ACCESSORIES

COLOURS/TRIMS/ ACCESSORIES	34
ALL ABOUT NISSAN	36

EFFICIENCY AT WORK NISSAN CABSTAR

BUILD YOUR BUSINESS WITH CABSTAR: IT'S GOT A NEAT PROFILE AND PLENTY OF CAPACITY TO SPREAD YOUR WORK AROUND.

[more on www.nissan.co.uk](http://www.nissan.co.uk) and www.nissan-lcv.co.uk

CABSTAR's varied range means there's a version to suit you, whatever your haulage needs. There are three wheelbases (2.5m, 2.9m and 3.4m) and three power outputs from its EURO5 engines. The ZD 3.0L engine is even cleaner than EURO5 (and EEV homologated). Single or double cabs and a chassis that offers so many conversion possibilities makes choosing CABSTAR one of the smartest business decisions you can make.

UP TO 1,804KG PAYLOAD FOR 3.5T CABSTAR TWIN WHEELS

SINGLE & DOUBLE CAB
THREE WHEELBASES
3.4 - 4.5T GVW

3

FOR YOUR BUSINESS, THE SOLUTION IS CABSTAR

CABSTAR QUALITIES make it the favourite truck for all types of businesses, from sole traders to large companies. Equipped for maximum efficiency, it delivers valuable business benefits, low cost of ownership, maximum load space with compact overall dimensions, and exceptional manoeuvrability.

4
LOOK & FEEL

5
EXTERIOR DESIGN

[Contents](#) | [Exterior design](#) | [Interior design](#) | [Technology & Performance](#) | [Style & Accessories](#) | [Technical specifications](#) | [Price List](#) | [Commitments](#)

[Print](#) | [Close](#)

[Page 1](#) | [Page 2](#)

REQUEST A TEST DRIVE



CABSTAR's compact body, straight front nose and incredibly spacious interior all mean business: a genuine utility truck designed for work on the road.


COMPACT
LEADING LOAD/LENGTH RATIO
BOLD DESIGN

6
LOOK & FEEL

STREAMLINE YOUR PROCESSES

SLEEK, MODERN AND SPACE-EFFICIENT, CABSTAR's advanced design brings you a generous cab and extensive load space length on a short wheel base.

7
EXTERIOR DESIGN

REQUEST A TEST DRIVE



Extra-large, the screen area provides exceptional visibility. The overall effect is a more relaxing environment where you'll always feel comfortably in control.

SPACIOUS INSIDE

COMPACT OUTSIDE

8
LOOK & FEEL

A WELCOMING PLACE TO WORK

CABSTAR IS A SERIOUSLY COMFORTABLE PLACE TO WORK.

Despite its compact external dimensions, the cab offers you plenty of legroom, headroom and width.

9
INTERIOR DESIGN

[Contents](#) | [Exterior design](#) | [Interior design](#) | [Technology & Performance](#) | [Style & Accessories](#) | [Technical specifications](#) | [Price List](#) | [Commitments](#)

[Print](#) | [Close](#)

[Page 1](#) | [Page 2](#)

[REQUEST A TEST DRIVE](#)

With all your navigation and connectivity at your fingertips, you won't be wasting any time – and thanks to an adjustable steering wheel and lots of intelligent storage space, you'll be able to manage your paperwork too. Sound ergonomics for efficient business.

ADD VISION TO YOUR DRIVE

TECHNOLOGICAL INNOVATION makes working on the road easier. CABSTAR's ultra-clear combimeter displays comprehensive information and includes an optional, multifunctional computer for data on oil levels, fuel consumption and remaining journey range.

Air conditioning
KEYLESS ENTRY
14 STORAGE SPACES

10
LOOK & FEEL

The multifunctional computer is standard equipment on PRO and PRO+ grades.

11
INTERIOR DESIGN

[Contents](#) | [Exterior design](#) | [Interior design](#) | [Technology & Performance](#) | [Style & Accessories](#) | [Technical specifications](#) | [Price List](#) | [Commitments](#)

[Print](#) | [Close](#)

[Page 1](#) | [Page 2](#)

[REQUEST A TEST DRIVE](#)



HIGH PERFORMANCE MOBILITY

YOUR WORK/ LIFE BALANCE IN ONE PLACE

MAKE THE MOST OF YOUR FULLY-INTEGRATED NAVIGATION, COMMUNICATION AND AUDIO-VISUAL ENTERTAINMENT SYSTEM: NISSAN CONNECT KEEPS YOU IN TOUCH AND UPBEAT.

PLAY CDS in every format, browse with Bluetooth® audio-streaming or enjoy live performance sound quality from your iPod, MP3 or USB stick.

CONNECT WITH YOUR BLUETOOTH® HANDS-FREE SYSTEM, complete with caller ID. Just pair up and you're on line.

PLAN YOUR JOURNEY on an ultra-clear 5" touch-screen and arrive promptly at your destination thanks to continuous updates.

TRACK YOUR PROGRESS on a good-definition 2D or 3D split screen with auto-zoom on key targets and voice guidance in 8 European languages.



THE KIND OF POWER YOU NEED

WITH ITS EURO5 COMPATIBLE 2.5 LITRE AND 3.0 LITRE ENGINES, CABSTAR PUSHES THE LIMITS IN TERMS OF POWER, TORQUE AND ECONOMY. CHOOSE FROM TWO COMMON RAIL DIRECT INJECTION DIESEL UNITS AND THREE OUTPUTS: 121HP/250NM, 136HP/270NM OR 150HP/350NM. PARTICULARLY QUIET AND FUEL EFFICIENT, THESE ADVANCED ENGINES ARE TAILOR-BUILT FOR LCV USE.

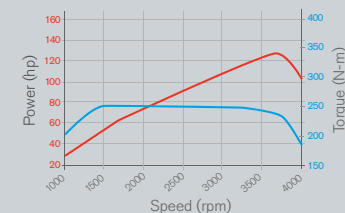


UP TO
150HP - 350NM

All three engines give you ample power to climb hills, even when loaded, with either 5-speed or 6-speed transmissions (for the 136HP and 150HP units). For certain models, you can have Limited Slip Differential as standard equipment, which maintains drive even if one of the rear wheels is on a low grip surface, such as ice or mud.

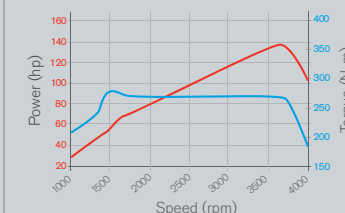
THE YD25 2.5 LITRE

develops 121HP/250Nm for 3.4T and 3.5T GVW models.



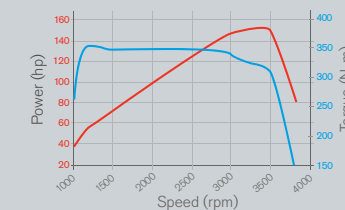
THE YD25 2.5 LITRE

develops 136HP/270Nm for 3.5T and 4.5T GVW models.

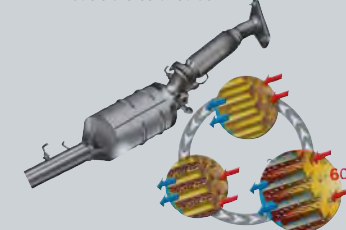


THE ZD30 3.0 LITRE

develops 150HP/350Nm for 3.5T and 4.5T GVW models.



EEV – Enhanced Environmentally Friendly Vehicle – is currently the strictest exhaust-gas standard in Europe. All Cabstar 3.0L ZD engine models are certified as EEV.



A Diesel Particulate Filter is now available on CABSTAR as standard equipment for all the EURO5 engines. By reducing the number of particles released, it makes your business journey much greener. There are auto and manual regeneration modes for you to choose via a switch on the dashboard.

A MORE RELAXING DRIVE

ANTI-FATIGUE: REDUCE STRESS AND IMPROVE YOUR PERFORMANCE – CABSTAR MAKES FOR A SMOOTH RIDE.



EASY HILL START
9.6M TURNING CIRCLE

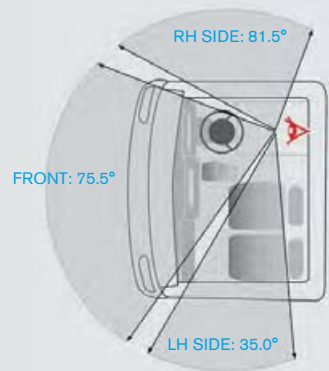


CABSTAR IS EQUIPPED to take the effort out of driving. Its compact dimensions and small turning circle (from 9.6m kerb to kerb, depending on the wheelbase), make it easy to drive and park in confined locations, while independent front suspension and powered rack and pinion steering bring secure handling and a reassuring feel at all speeds.



YOU CAN SELECT CABSTAR with Easy Hill Start (EHS), which saves you having to apply the parking brake during stop/start driving on hills. Operated by convenient switches in the cab, EHS helps hold the vehicle stationary after releasing the brake pedal – useful if you get held up. By reducing wear on the clutch and driveline in demanding situations, EHS contributes to CABSTAR's outstanding low running costs. EHS is standard equipment on CABSTAR PRO and PRO+ grades.





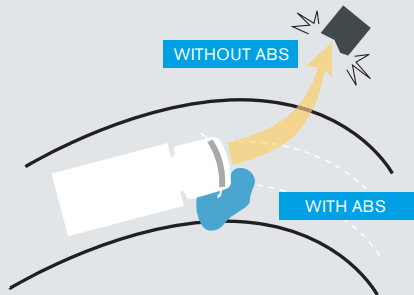
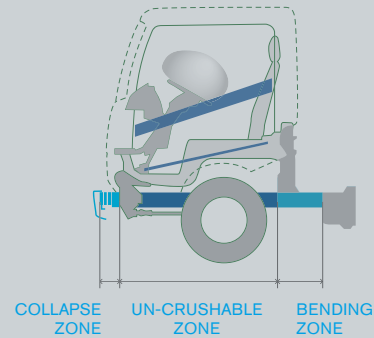
SAFETY THROUGH STRENGTH AND AGILITY

WE'VE MADE SAFEGUARDING YOU AND YOUR LOADS a high priority. Consequently, front and rear disc brakes are standard on all CABSTARs, with available ABS and EBD (Electronic Brake Distribution), for optimum braking performance.

CABSTAR's strong and predictable road holding, and top class front and side visibility from the cab contribute to its overall safety. The wipers are cleverly designed to clear the largest expanse of windscreen and the heated power door mirrors are equipped on PRO and PRO+ grades as standard option.



All of these active safety measures are supported by effective passive features. CABSTAR's reinforced cabin structure is protected by a sturdy shock-absorbing front bumper, for car-like safety performance. Independent tests have shown that CABSTAR's safety level is equal to that of a passenger car in frontal impacts. The driver and the passenger next to window benefit from height-adjustable seatbelts with pretensioners as well as the option of airbags. Both cabin doors are fitted with anti-intrusion bars, bringing maximum solidity to CABSTAR's tough protective shell.





6 SEATS
EASY ACCESS

WELCOME ABOARD DOUBLE CAB



WHEN EXTRA HELP IS NEEDED, CABSTAR is ready with a double cab version, available on 3.5T and 4.5T GVW versions. With large doors and conveniently mounted steps for easy entry and exit, the double cab carries six people in comfort.

TO ENJOY YEAR-ROUND COMFORT, you will have a separate rear heater with a two-speed fan. And if you need to carry your tools or other loads in the cab, the rear seat folds forward to provide extra space.

REQUEST A TEST DRIVE



ORGANISED AND EFFECTIVE

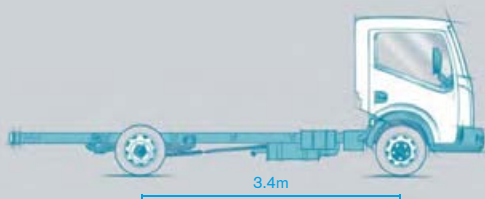
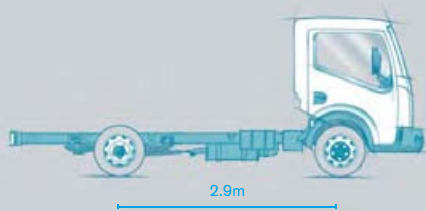
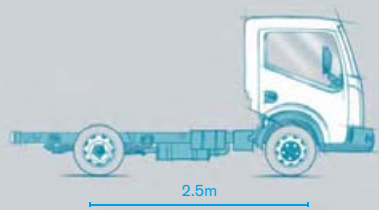
A TIDY, ORGANISED CAB is more welcoming and safer, so we've equipped CABSTAR with no less than 14 separate storage spaces. These include an A4 document space ahead of the combimeter, a central cooled compartment that can take cans or small bottles, a separate glovebox, cooled or heated cup holders for the driver and passenger, roof storage and a spacious new tray-box tucked behind the central passenger seat which folds down for easy access and to become a useful side table.



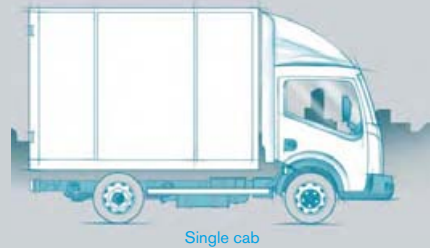
CABSTAR CHASSIS



3 WHEELBASES



SINGLE AND DOUBLE CAB



SINGLE AND TWIN REAR WHEELS



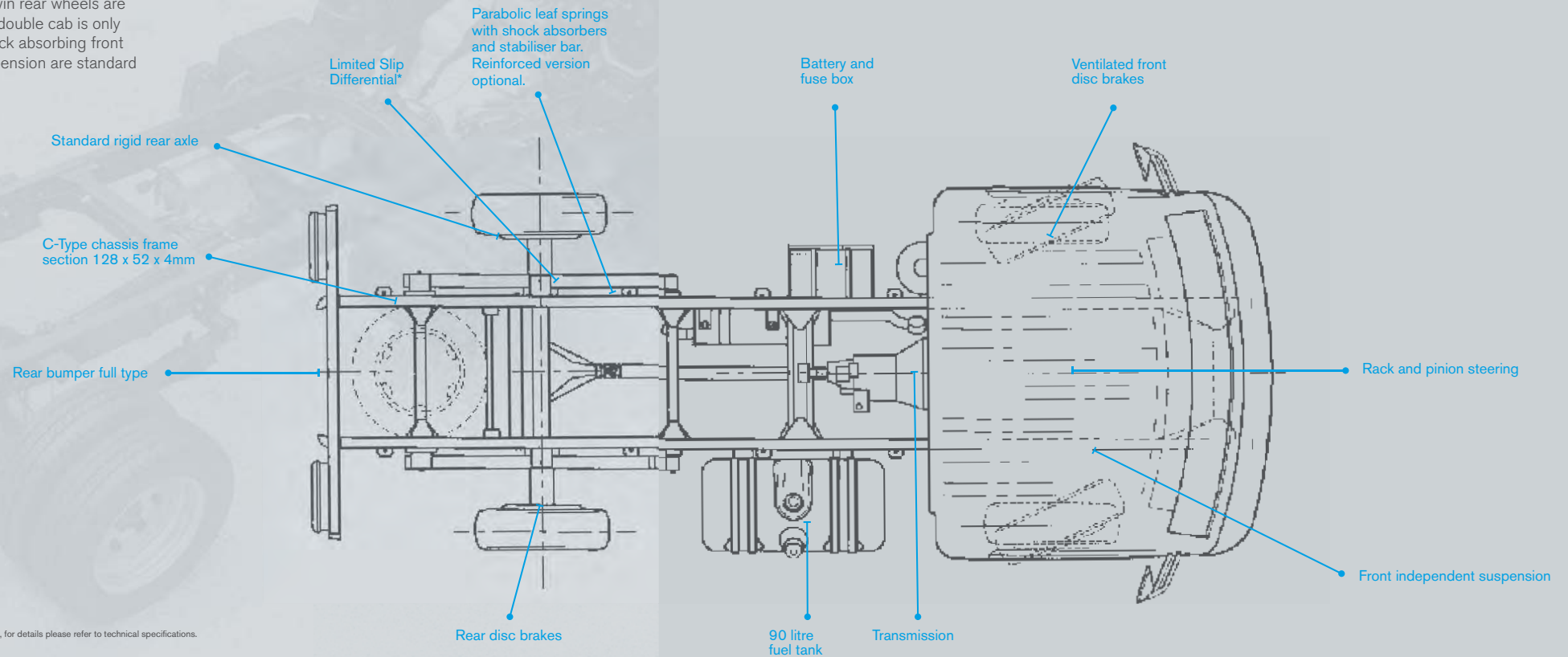
AVAILABLE IN 3.4T, 3.5T AND 4.5T GVW VARIANTS, with 2.5m, 2.9m and 3.4m wheelbases, single or twin rear wheels and single or double cabs, CABSTAR offers a truly comprehensive choice to suit your application.



CABSTAR CHASSIS



THE CABSTAR CHASSIS IS AVAILABLE with 2.5m, 2.9m and 3.4m wheelbases; 3.4T, 3.5T and 4.5T GVW. Twin rear wheels are standard on 3.5T and 4.5T GVW versions, and double cab is only available on 2.9m and 3.4m wheelbases. A shock absorbing front bumper and a reinforced, high rigidity rear suspension are standard on all versions of 3.5T and 4.5T GVW versions.



* standard on certain models, for details please refer to technical specifications.



CABSTAR FEATURES AND OPTIONS

1 THE ON-BOARD COMPUTER KEEPS YOU INFORMED. The OCS (Oil Change Supervisor) checks oil quality and indicates mileage available before the next oil change. Other key indicators include average and instantaneous fuel economy, remaining fuel range, accumulated time and distance, average speed, tyre rotation, a maintenance warning, a shift up signal for optimum gear changes, a trip meter and a digital clock.

2 THE BLUETOOTH® RADIO/CD SYSTEM incorporates telephone handsfree functionality, RDS Traffic Information and six preset buttons.

3 KEYLESS ENTRY allows the cab doors to be locked/unlocked by remote control.

4 OPTIONAL NISSAN CONNECT delivers premium navigation, communications and audio-visual entertainment all in one.

5 HEATED, POWER ADJUSTABLE MIRRORS are standard option on PRO and PRO+ grades.

6 FRONT POWER WINDOWS with driver's one-touch control and anti-trap sensing device are standard on CABSTAR.

WHY CABSTAR IS BETTER FOR BUSINESS

NISSAN CABSTARS are renowned for their high residual values, and it's easy to see why: businesses realise they're a more cost-effective and dependable proposition. In addition to class-leading load capacity, compared to Euro4 engines, the CO₂ emissions of Euro5 engines are lower and the fuel consumptions are up to 8% more efficient which allows a longer range with fewer stops. There's also less downtime because of the long, up to 25k-mile/24-month (2.5L YD engine) and 18k-mile/24-month (3.0L ZD engine) service intervals. Servicing is made easier too, by the standard tilt cab that allows quick and easy access to the engine and gearbox.



UP TO 25,000 MILES SERVICING
TILT CAB

3-YEAR WARRANTY



THE EASY HILL START and on-board computer provide further proof of CABSTAR's commitment to reducing running costs. As well as improving driver comfort, Easy Hill Start helps to protect the clutch and driveline – essential for a hard-working truck. The on-board computer's 'shift up' function helps to optimise gear changes, reducing fuel consumption. Engineered to the highest standards and protected by extensive anti-corrosion measures, CABSTAR is supported by a 3-year or 100,000-mile warranty and 3-year paint and 6-year anti-corrosion warranty.



THREE-WAY TIPPER

ONE-WAY TIPPER

DROPSIDE

GET READY FOR THE BUSINESS

NISSAN IS ALWAYS SEEKING WAYS TO HELP YOU DRIVE YOUR BUSINESS FORWARD. NOW WE'VE DEVELOPED GOOD TO GO.

Images shown are European range and specifications, for illustration use only. For details of UK range and specification, please refer to Good to Go main brochure.

IT BRINGS YOU A NISSAN CABSTAR DIRECTLY FROM YOUR NISSAN DEALER that's ready to go working – built according to the specification you want and with the conversion you need. This offer is supported by our outstanding Nissan warranty and easily managed through a single point of contact. Ask your dealer or visit our website to see how you can be Good to Go.

THE MOST SUCCESSFUL BUSINESS is the one fastest to respond. Now Good to Go helps you be more responsive, with a CABSTAR that's ready to work.

GOOD TO GO MAKES IT EASY. Simply choose a dropside or a tipper, then your business centre manager takes care of everything, including your order, delivery and ensuring you're fully supported by our industry-leading warranty.

OUR READY-CONVERTED CABSTARS are precision-built to the high standards that make all Nissan commercials synonymous with reliability, efficiency and durable long life. Your dealer will be pleased to give you full details about our Good to Go conversions.

MAKE AN ASTUTE DECISION; move your business up a gear with Good to Go.



READY TO WORK VEHICLE

Get the perfect vehicle for your business, straight from the factory. With Nissan Good to Go, you choose a CABSTAR dropside or tipper. As soon as you drive it away from your Nissan dealer, you're ready to work.



ONE POINT OF CONTACT

With Good to Go, just one point of contact makes it easy to order your CABSTAR and the conversion that fits with it – saving you more time for your busy work schedule.



3-YEAR NISSAN WARRANTY

CABSTAR conversions are built to Nissan's exacting standards, with rigorous quality control. The body is covered by a 3-year warranty, and you also benefit from 24-hour roadside assistance – making your CABSTAR a business tool you can depend on.



COLOURS

M: METALLIC S: SOLID



White - 326 / S



Silver - KY0 / M



Red - Z10 / S

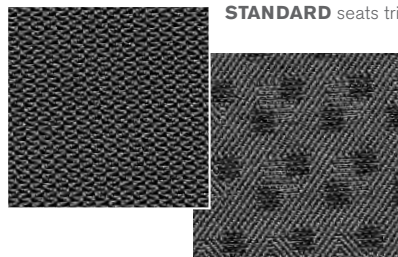


Blue - TT2 / M

TRIMS



UPPER* seats trim



STANDARD seats trim

* Upper seats trim is only available on PRO+ grade as standard.

ACCESSORIES

OUR RANGE OF GENUINE ACCESSORIES is the logical extension of CABSTAR's versatility. These accessories are specifically designed to complement CABSTAR, so you can be sure they'll provide long and dependable service.



- 1) Mats
- 2) Flanged towbars
- 3) Fuse box and bulb
- 4) General accessories



COMMITMENTS

YOU + NISSAN

YOU CARE ABOUT YOUR NISSAN SO NISSAN WILL CARE FOR YOU.
THAT'S WHY WE'LL MAKE THE FOLLOWING COMMITMENT:

YOU care about staying on the road when your Nissan is in for service or repair.

YOU care about quality enough to have your Nissan serviced at a Nissan dealership.

YOU care about getting the best value for money when it comes to service and repair.

YOU care about having your problems resolved quickly.

YOU care about getting the right Nissan model, engine & gear box to test drive.

NISSAN will keep you mobile free of charge.

NISSAN says thanks by giving you continuous RAC roadside assistance for free.

NISSAN will price match like for like competitor written quotes within 10 miles of your local dealer.

NISSAN will propose how to resolve any problem within 2 working days.

NISSAN will guarantee that's what you'll get when you pre-book your test drive either online or through our customer service centre.

YOU + NISSAN
CARE

For terms and conditions, please visit nissan.co.uk/care

36
ALL ABOUT NISSAN



AT NISSAN, YOU BRING OUT THE BEST IN US.

You spark our imagination. You provoke our ingenuity. You inspire us to change the rules and innovate. And at Nissan, innovation is not just about additions and extensions; it's about crossing the line to reinvent the status quo. It's about developing unexpected solutions to satisfy your wildest and most pragmatic desires. At Nissan, we design cars, accessories and services that break the mould - making the practical exciting and the exciting practical to offer you a more exhilarating driving experience everyday.



NISSAN CABSTAR OFFERS YOU:
3-YEAR, 100,000-MILE WARRANTY, WHICHEVER COMES FIRST
6-YEAR ANTI-CORROSION WARRANTY; 3-YEAR PAINT WARRANTY
2.5 L ENGINE 25,000-MILE / 24-MONTH AND 3.0 L ENGINE 18,000-MILE / 24-MONTH SERVICE INTERVAL



visit our website at: www.nissan.co.uk
and www.nissan-lcv.co.uk

Every effort has been made to ensure that the content of this publication is correct at the time of going to press (April 2012). This brochure has been produced featuring prototype vehicles exhibited at motor shows. In accordance with the company's policy of continuously improving its products, Nissan International reserves the right to change at any time the specification and the vehicles described and shown in this publication. Nissan dealers will be informed of any such modifications as quickly as possible. Please check with your local Nissan dealer to receive the most up-to-date information. Because of the limitations of the printing processes used, the colours shown in this brochure may differ slightly from the actual colours of the paint and interior trim materials used. All rights reserved. Reproduction in whole or part of this brochure without the written permission of Nissan International is forbidden.

This brochure is made from chlorine free paper – CABSTAR GEA 04/2012 – Printed in EU. Part number 99999-53144
Created by NEW BBDO, France – Tel: +33 1 40 62 37 37 and produced by E-GRAFICS\FRANCE, France – Tel: +33 1 49 09 25 35.



SHIFT_ the way you move

Dealer stamp:



NISSAN CABSTAR EURO 5
TECHNICAL SPECIFICATIONS



[REQUEST A TEST DRIVE](#)





GRADES

Whatever your requirement there is a New Cabstar to suit your business. Available in three wheelbases and with a choice of three-seat single cab or six-seat double cab, New Cabstar can be specified as a dropside, tipper, box van or as a chassis cab ready for conversion. Each model is equipped with a refined Common Rail diesel engine, with either 5 or 6 speed gear box, which can cope with the most demanding payload.

When vehicle equipped with optional AC

* Not available on 45.15 version

** Standard on 4.5T at no cost

*** Mandatory on 4.5T models

NB: 4.5T GVW conversions are by special arrangement

BASIC

34.12 SWB
2.5DCI 5 SPEED

SINGLE TILT CAB
SINGLE REAR WHEELS

SAFETY & SECURITY

- Driver airbag
- Keyless entry
- Alarm
- Immobiliser
- Front bumper with shock absorber
- Lockable tilting cabin system
- Reinforced cabin structure
- Seatbelts with pretensioners
- Spare wheel & wheel chock
- E type rear bumper
- Wheel Cover
- Interior dazzle mirror

COMFORT AND CONVENIENCE

- Radio CD player with Bluetooth
- Power windows
- Numerous storage areas including:
 - A4 storage
 - chilled cup holders and glove box#
 - documents glove box
 - overhead storage
 - foldaway centre clipboard tray (in the back of middle seat)
 - tilt cabin for easy servicing

OPTIONS

- Metallic Paint
- Digital Tachograph
- Front Air Conditioning

3.4T BODY OPTIONS

- Chassis
- Tipper
- Dropside

BASIC+

35.14 SWB
2.5DCI 6 SPEED

SINGLE TILT CAB
TWIN REAR WHEELS

ADDITIONAL SPEC TO BASIC GRADE

SAFETY & SECURITY

- ABS with EBD
- Limited slip differential*
- Reinforced rear suspension

OPTIONS

- Metallic Paint
- Digital Tachograph
- Passenger airbag
- Front Air Conditioning
- Nissan Connect

3.5T BODY OPTIONS

- Chassis
- Tipper
- Dropside
- Box
- Freezer / Chiller Box

PRO

35.14 MWB
2.5DCI 6 SPEED

45.14 MWB
2.5DCI 6 SPEED

45.15 MWB
3.0DCI 6 SPEED

SINGLE TILT CAB OR DOUBLE FIXED CAB
TWIN REAR WHEELS

ADDITIONAL SPEC TO BASIC+ GRADE

SAFETY & SECURITY

- Speed limiter of 56mph***

COMFORT AND CONVENIENCE

- Easy Hill Start
- Power and heated mirrors
- Rear heater (Double cab versions)
- Battery high capacity 110 Ah/12V
- Front fog lamp
- Multi display combi metre

OPTIONS

- Metallic Paint
- Digital Tachograph**
- Passenger airbag
- Front Air Conditioning
- Nissan Connect

3.5T BODY OPTIONS

- Chassis
- Tipper
- Dropside
- Box van (Single cab only)
- Freezer / Chiller Box (Single cab only)

PRO+

35.14 LWB
2.5DCI 6 SPEED

35.15 LWB
3.0DCI 6 SPEED

45.14 LWB
2.5DCI 6 SPEED

45.15 LWB
3.0DCI 6 SPEED

SINGLE TILT CAB OR DOUBLE FIXED CAB
TWIN REAR WHEELS

ADDITIONAL SPEC TO PRO GRADE

COMFORT AND CONVENIENCE

- Interior trim on back panel and pillars (only Single cab version)
- Upper seat cloth trim

OPTIONS

- Metallic Paint
- Digital Tachograph**
- Passenger airbag
- Front Air Conditioning
- Nissan Connect

3.5T BODY OPTIONS

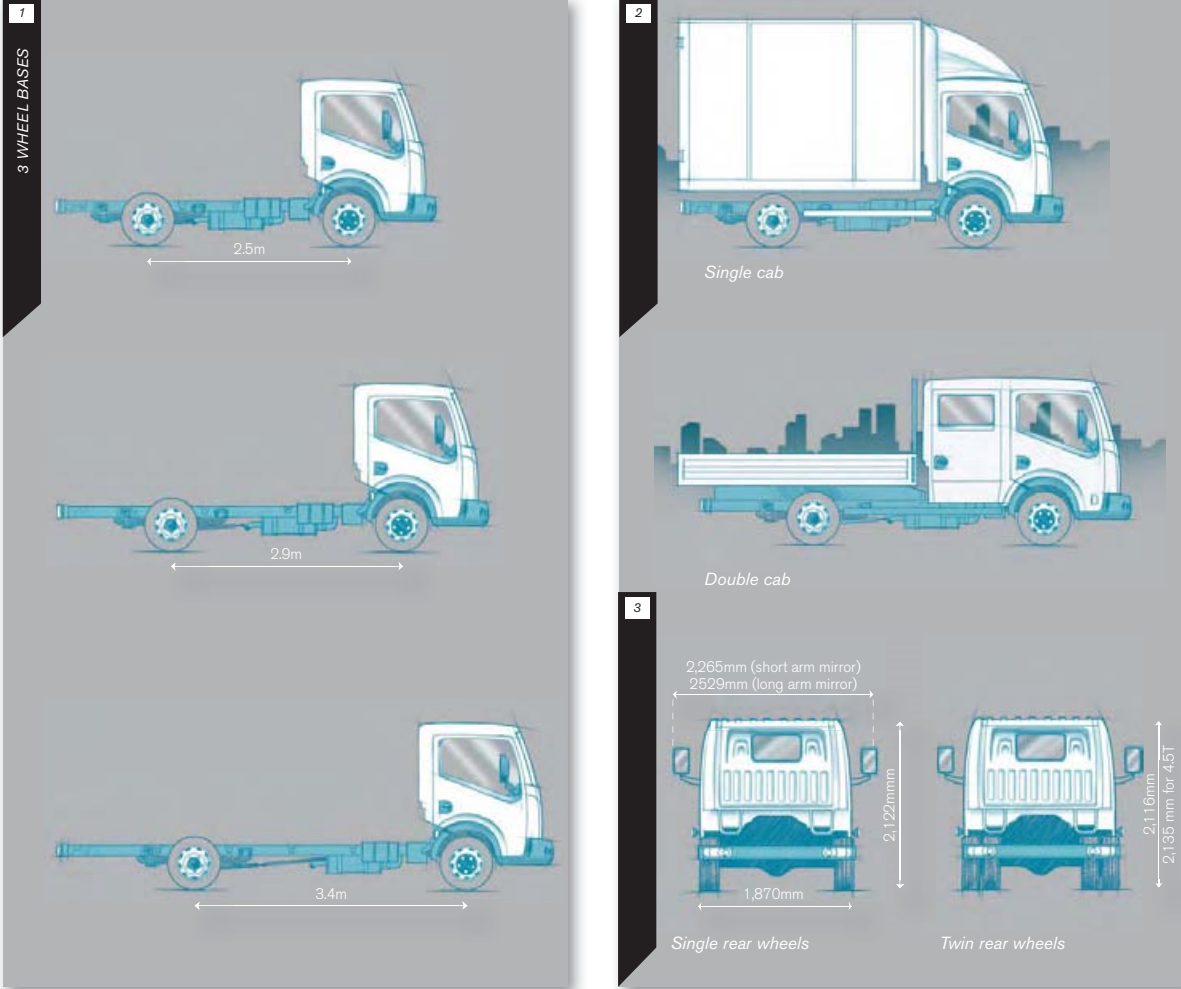
- Chassis
- Tipper (Double cab only)
- Dropside (on Single cab, only wide body available)
- Box van (Single cab only)

CABSTAR DATA SHEET

CAB	Single Cab	Single Cab	Double Cab	Single Cab	Double Cab	Single Cab	Double Cab	Single Cab	Double Cab	Single Cab	Double Cab		
ENGINE	YD25 K3 LD-5 (Lo)	YD25 K3 LD-5 (Mi)		ZD30H HD-5		YD25 K3 LD-5 (Mi)		ZD30H HD-5		ZD30H HD-5			
TRANSMISSION	M5-35 K3	6S380 K3		6S380		6S380 K3		6S380		6S380			
GVW (T)	3.4	3.5		3.5		4.5		4.5		4.5			
RR WHEEL	SINGLE RR WHEEL 15"	TWIN RR WHEEL 15"		TWIN RR WHEEL 15"		TWIN RR WHEEL 16"		TWIN RR WHEEL 16"		TWIN RR WHEEL 16"			
WHEELBASE	SWB	SWB	MWB	LWB	MWB	LWB	MWB	LWB	MWB	LWB	MWB	LWB	
ENGINE PERFORMANCE (according to EC 80/1269 directive)													
Maximum engine power	kW(PS)/rpm	90 (121) @ 3.600	100 (136)@3600		110 (150)@ 3400		100 (136)@3600		110 (150)@3400		110 (150)@3400		
Maximum engine torque	Nm/rpm	250 @ 1600-2800	270 @ 1600-3200		350 @ 1200		270 @ 1600-3200		350 @ 1200		350 @ 1200		
Emission class		Euro 5 (EC) 715/2007 – (EC) 566/2011	Euro 5 (EC) 715/2007 – (EC) 566/2011		Euro V 2005/55/EC – 2008/74/EC		Euro 5 (EC) 715/2007 – (EC) 566/2011		Euro 5 (EC) 715/2007 – (EC) 566/2011		Euro V 2005/55/EC – 2008/74/EC		
ENGINE DESCRIPTION													
No. of cylinders, configuration		4, in line	4, in line		4, in line		4, in line		4, in line		4, in line		
Valves per cylinder,		4, DOHC	4, DOHC		4, DOHC		4, DOHC		4, DOHC		4, DOHC		
Air intake system		Turbo intercooler	Turbo intercooler		Turbo intercooler		Turbo intercooler		Turbo intercooler		Turbo intercooler		
Control system		ECCS	ECCS		ECCS		ECCS		ECCS		ECCS		
Engine displacement	cc	2488	2488		2953		2488		2953		2953		
Bore x Stroke	mm	89 x 100	89 x 100		96 x 102		89 x 100		96 x 102		96 x 102		
Compression ratio		15,9 : 1	15,9 : 1		15,9 : 1		15,9 : 1		15,9 : 1		15,9 : 1		
Fuel type		Diesel	Diesel		Diesel		Diesel		Diesel		Diesel		
Fuel supply		Direct Injection + Common Rail	Direct Injection + Common Rail		Direct Injection + Common Rail		Direct Injection + Common Rail		Direct Injection + Common Rail		Direct Injection + Common Rail		
Emission control system		EGR + Catalyst + Diesel Particulate Filter	EGR + Catalyst + Diesel Particulate Filter		EGR + Catalyst + Diesel Particulate Filter		EGR + Catalyst + Diesel Particulate Filter		EGR + Catalyst + Diesel Particulate Filter		EGR + Catalyst + Diesel Particulate Filter		
Electrical system	V	12	12		12		12		12		12		
Starter	Kw	2.2	2.2		2.5		2.2		2.5		2.5		
Alternator	Amps	150	150		135		150		135		135		
TRANSMISSION SPECIFICATION													
Clutch type			Dry, single plate with Hydraulic control		Dry, single plate with Hydraulic control		Dry, single plate with Hydraulic control		Dry, single plate with Hydraulic control		Dry, single plate with Hydraulic control		
Transmission type		5 speed M/T	6 speed M/T		6 speed M/T		6 speed M/T		6 speed M/T		6 speed M/T		
Gear ratio		1st	4.66	5.357	5.357	5.357	5.357	5.357	5.357	5.357	5.357	5.357	
		2nd	2.39	3.154	3.154	3.154	3.154	3.154	3.154	3.154	3.154	3.154	
		3rd	1.38	2.041	2.041	2.041	2.041	2.041	2.041	2.041	2.041	2.041	
		4th	1	1.365	1.365	1.365	1.365	1.365	1.365	1.365	1.365	1.365	
		5th	0.83	1	1	1	1	1	1	1	1	1	
		6th	N/A	0.79	0.79	0.79	0.79	0.79	0.79	0.79	0.79	0.79	
		Rev	4.094	4.83	4.83	4.83	4.83	4.83	4.83	4.83	4.83	4.83	
Final Drive type		Single reduction of hypoid type	Rear Differential Lock (LSD)		Rear Differential Lock (LSD)		Rear Differential Lock (LSD)		Rear Differential Lock (LSD)		Single reduction of hypoid type		
Final Drive Ratio		4.111	3.9		4.111		4.111		4.111		4.375		
CHASSIS													
Frame type		C Section steel longitudinal side members and riveted cross members											
Frame width	mm	752											
Section	mm	128 x 52 x 4											
Front Suspension		Independent, Double Wishbone with one transversal leaf, with shock absorbers and stabilizer bar											
Rear Suspension		Parabolic leaf spring with shock absorber and stabilizer bar											
Steering System		Rack & Pinion, Power Assisted											
Turning radius, wall to wall	m	10.58	10.56	11.85	13.45	11.92	13.54	13.45	13.54	11.87	13.48	11.90	13.51
Turning radius, curb to curb	m	9.61	9.58	10.85	12.45	10.93	12.54	12.45	12.54	10.86	12.46	10.89	12.49
Brakes System		Dual hydraulic circuit with vacuum servo assistance (ABS standard)											
Front type		Dual hydraulic circuit with vacuum servo assistance		Ventilated Discs, PF 2 x 48, Øef= 231				Ventilated Discs, PF 2 x 52, Øef= 234,6					
Rear type		Solid Disc, PFC 1 x 46 Øef= 238		Solid Disc, PFC 1 x 46 Øef= 238				Ventilated Discs, PF 2 x 44 Øef= 241					
Wheels size	Front	5 1/2 J 15, single		5 J 15, single				5 J 15, single		5 1/2 J 16, single		5 1/2 J 16, single	
	Rear	5 1/2 J 15, single		5 J 15, twin				5 J 15, twin		5 1/2 J 16, twin		5 1/2 J 16, twin	
Wheels bolts		5 x M16		5 x M16				5 x M16		6 x M18		6 x M18	
Tyre size		205/70 R 15		195/70 R 15				195/70 R 15		185/75 R 16		185/75 R 16	
FUEL TANK													
Fuel Tank Capacity	ltrs	90, right side											
PERFORMANCE (at GVW and Std final drive)													
Maximum speed (0% grade) [N2&N3 speed limit at 90 Km/h]	km/h	131.8	134.5		136		90 (133)		90 (130,9)		90 (130,9)		
	MPH	81.9	83.6		85		55.9 (82,6)		55.9 (81,3)		55.9 (81,3)		
rpm engine at 90 Km/h		2518	2274		2361		2335		2485		2485		
Max ascending grade	%	>30	>30		>30		>30		>30		>30		
Max starting ascending grade	%	>30	>30		>30		>30		>30		>30		
DOOR & SEATING CAPACITY													
Number of seats	1st row	3	3		3		3		3		3		
	2nd row	N/A	N/A		3		N/A		3		N/A		

NEW CABSTAR CHASSIS VARIANTS

Available in 3.4T, 3.5T and 4.5T GVW variants, with 2.5m, 2.9m and 3.4m wheelbases, single or twin rear wheels and single or double cabs, the New Cabstar offers a truly comprehensive choice to suit your application.



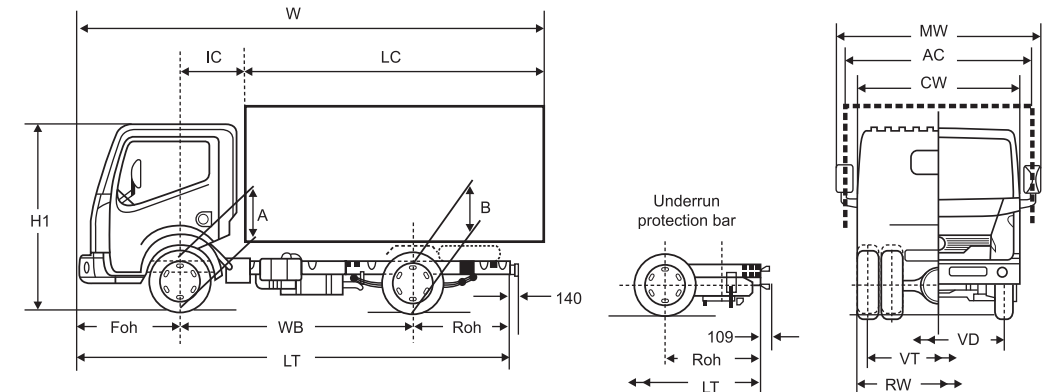
Chassis

	Wheelbase	Single Cab				Double Cab			
		SWB		MWB	LWB		MWB	LWB	
		34.12	35.14	35.14	35.14	35.15	35.14	35.14	35.15
WB		2,500		2,900	3,400		2,900	3,400	
AC max	Max body width (short arm mirrors)	2,050				2,050			
	Max body width (long arm mirrors)	2,250				2,250			
MW	Cabin width inc short arm mirrors	2,265				2,265			
	Cabin width inc long arm mirrors	2,529				2,529			
CW	Cabin width exc mirrors	1,870				1,870			
Foh	Front overhang	1,063				1,063			
Roh	Rear overhang	983	1,283	1,583	1,283	1,583			
LT	Overall length	4,546	5,246	6,046	5,246	6,046			
IC	Front axle to rear body	650				1,650			
LC std	Body length standard	2,974		3,674	4,474		2,074	3,474	
LC min*	Body length min	2,662	2,702	3,364	4,202	4,348	2,077	3,198	3,471
LC max*	Body length max	3,476		4,136	4,961		3,136	3,961	
RW	Rear axle width	1,730	1,808	1,808	1,808	1,806	1,808	1,808	1,806
VD	Front track	1,586	1,573	1,573		1,573			
VT	Rear track	1,518	1,396	1,396	1,396	1,394	1,396	1,396	1,394
H1	Height (unladen)	2,122	2,116	2,116		2,116			
W	Max length	5,189	5,849	6,674	5,849	6,674			

All figures mm

Gross Vehicle Weight	3,400	3,500	3,500		3,500			
Kerb Weight	1,655	1,696	1,710	1,730	1,813	1,865	1,885	1,968
Payload	1,745	1,804	1,790	1,770	1,687	1,635	1,615	1,532
Max. trailer weight (Towing Capacity) braked @ 12% slope	2,000		3,500			3,500		
Max. trailer weight (Towing Capacity) unbraked	750		750			750		
GrossTrain weight	5,400	5,500	7,000		7,000			

All figures kg



Kerb weight: Standard vehicle, without driver, but including fuel, spare wheel and tool kit
Maximum and minimum dimensions are given as a guide, applicable to standard bodies with uniformly distributed loads without cranes lifts etc.
Consult the bodybuilder standards for full details.

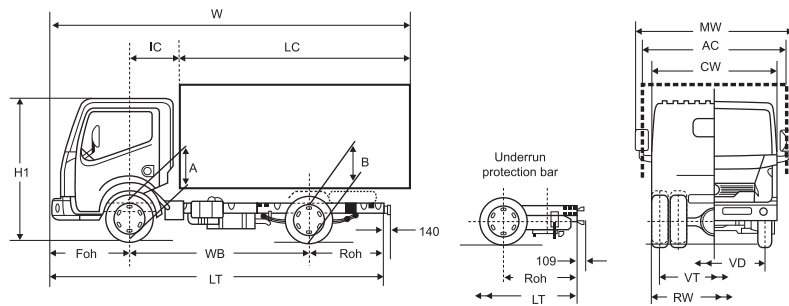
Chassis 4.5T

		Single Cab				Double Cab			
		MWB		LWB		MWB		LWB	
		45.14	45.15	45.14	45.15	45.14	45.15	45.14	45.15
WB	Wheelbase	2,900		3,400		2,900		3,400	
AC max	Max body width (short arm mirrors)	2,050				2,050			
	Max body width (long arm mirrors)	2,250				2,250			
MW	Cabin width inc short arm mirrors	2,265				2,265			
	Cabin width inc long arm mirrors	2,529				2,529			
CW	Cabin width exc mirrors	1,870				1,870			
Foh	Front overhang	1,063				1,063			
Roh	Rear overhang	1,483		1,883		1,483		1,883	
LT	Overall length	5,446		6,346		5,446		6,346	
IC	Front axle to rear body	650				1,650			
LC std	Body length standard	3,874		4,474		2,874		3,774	
LC min*	Body length min	3,834	3,851	4,745	4,766	2,317	2,358	3,395	3,448
LC max*	Body length max	4,136		4,961		3,136		3,961	
RW	Rear axle width	1,907	1,919	1,907	1,919	1,907	1,919	1,907	1,919
VD	Front track	1,569				1,569			
VT	Rear track	1,480	1,492	1,480	1,492	1,480	1,492	1,480	1,492
H1	Height (unladen)	2,135				2,135			
W	Max length	5,849		6,674		5,849		6,674	

All figures mm

Gross Vehicle Weight	4,500				4,500			
Kerb Weight	1,778	1,798	1,865	1,885	1,933	1,953	2,020	2,040
Payload	2,722	2,702	2,635	2,615	2,567	2,547	2,480	2,460
Max. trailer weight (Towing Capacity) braked @ 12% slope	4,500				4,500			
Max. trailer weight (Towing Capacity) unbraked	750				750			
Gross Train weight	9,000				9,000			

All figures kg



Kerb weight: Standard vehicle, without driver, but including fuel, spare wheel and tool kit. Maximum and minimum dimensions are given as a guide, applicable to standard bodies with uniformly distributed loads without cranes lifts etc. Consult the bodybuilder standards for full details.



Dropside

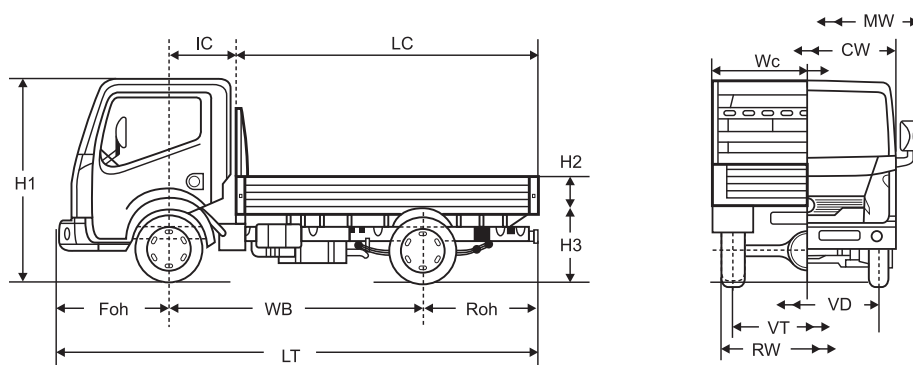
		Single Cab				Double Cab		
		SWB		MWB	LWB	MWB	LWB	
		34.12	35.14	35.14	35.14	35.15	35.14	35.14
WB	Wheelbase	2,500		2,900	3,400	2,900		3,400
Wc	Body width	1,900		1,900	2,100	1,900		
MW	Cabin width inc mirrors	2,265		2,265	2,529	2,265		
CW	Cabin width exc mirrors	1,870				1,870		
Foh	Front overhang	1,063				1,063		
Roh	Rear overhang	1,347	1,507	1,807	1,732	2,002		
LT	Overall length	4,909	5,469	6,269	5,694	6,464		
IC	Front axle to rear body	687		657	1,681			
LC	Body length	3,160	3,720	4,550	2,950	3,720		

H2	Body height	400				400		
H3	Load bed to floor height	918	912	912	917	901	912	
RW	Rear axle width	1,730	1,808	1,808	1,806	1,808	1,808	1,806
VD	Front track	1,586		1,573				
VT	Rear track	1,518	1,396	1,396	1,394	1,396	1,396	1,394
H1	Height (unladen)	2,122		2,116				

All figures mm

Gross Vehicle Weight	3,400	3,500				3,500		
Kerb Weight	1,311	1,952	2,011	2,153	2,236	2,186	2,186	2,269
Payload	1,483	1,548	1,489	1,347	1,264	1,314	1,314	1,231
GrossTrain weight	5,400	7,000				7,000		

All figures kg



Tipper

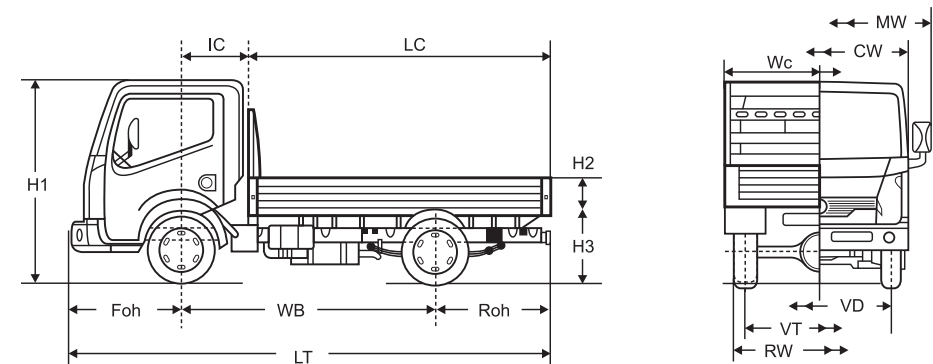
		Single Cab		Double Cab		
		SWB	MWB	MWB	LWB	
		34.12	35.14	35.14	35.14	35.15
WB	Wheelbase	2,500		2,900	2,900	3,400
Wc	Body width	1,900		1,900		
MW	Cabin width inc mirrors	2,265		2,265		
CW	Cabin width exc mirrors	1,870		1,870		
Foh	Front overhang	1,063		1,063		
Roh	Rear overhang	1,337	1,300	1,400		
LT	Overall length	4,899	5,262	5,362	5,862	
IC	Front axle to rear body	687	700	1,610		
LC	Body length	3,150	3,500	2,650	3,200	

H2	Body height	400		400		
H3	Load bed to floor height	920	950	950		
RW	Rear axle width	1,730	1,808	1,808	1,808	1,806
VD	Front track	1,586	1,573		1,573	
VT	Rear track	1,518	1,396	1,396	1,396	1,394
H1	Height ((unladen)	2,122	2,116	2,116		

All figures mm

Gross Vehicle Weight	3,400	3,500		3,500		
Kerb Weight	2,230	2,271	2,273	2,395	2,435	2,518
Payload	1,170	1,229	1,227	1,105	1,065	982
GrossTrain weight	5,400	7,000		7,000		

All figures kg



Box van

		Single Cab		
		SWB	MWB	LWB
WB	Wheelbase	2,500	2,900	3,400
We	Body width	2,150		
MW	Cabin width inc mirrors	2,265		
CW	Cabin width exc mirrors	1,870		
Foh	Front overhang	1,063		
Roh	Rear overhang	1,500	1,600	1,750
LT	Overall length	5,062	5,562	6,212
IC	Front axle to rear body	700		
LC	Body length	3,300	3,800	4,450

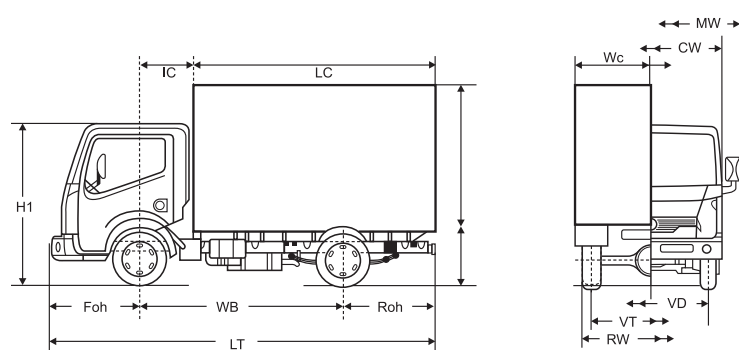
H2	Body height	2,150		
H3	Load bed to floor height	880		
RW	Rear axle width	1,808	1,808	1,806
VD	Front track	1,573		
VT	Rear track	1,396	1,396	1,394
H1	Height (unladen)	2,930		

All figures mm

Internal Length	3,225	3,725	4,375
Internal Width	2,075		
Internal height	2,100		
Load Volume Mcu	14.3	16.2	19.0

Gross Vehicle Weight	3,500		
Kerb Weight	2,126	2,155	2,333
Payload	1,374	1,345	1,167
GrossTrain weight	7,000		

All figures kg



Freezer/Chiller

		Single Cab	
		SWB	MWB
WB	Wheelbase	2,500	2,900
Wc	Body width	2,200	
MW	Cabin width inc mirrors	2,265	
CW	Cabin width exc mirrors	1,870	
Foh	Front overhang	1,063	
Roh	Rear overhang	1,500	1,600
LT	Overall length	5,062	5,562
IC	Front axle to rear body	700	
LC	Body length	3,300	3,800

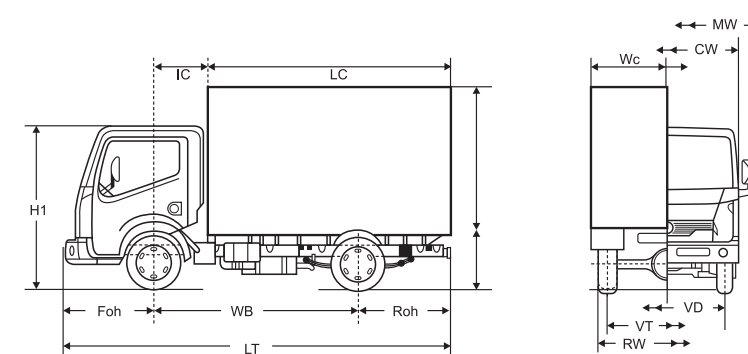
H2	Body height	2,200	
H3	Load bed to floor height	880	
RW	Rear axle width	1,808	1,808
VD	Front track	1,573	
VT	Rear track	1,396	
H1	Height (unladen)	2,980	

All figures mm

Internal Length	3,164	3,664
Internal Width	2,074	
Internal height	2,032	
Load Volume Mcu	13.9	15.4

Gross Vehicle Weight	3,500	
Kerb Weight	2,312	2,409
Payload	1,188	1,091
GrossTrain weight	7,000	

All figures kg





Introducing our commitment to you

You care about your Nissan so Nissan will care for you. That's why we'll make the following commitment:

YOU care about staying on the road when your Nissan is in for service or repair.

YOU care about quality enough to have your Nissan serviced at a Nissan dealership.

YOU care about getting the best value for money when it comes to service and repair.

YOU care about having your problems resolved quickly.

YOU care about getting the right Nissan model, engine & gearbox to test drive.

NISSAN will keep you mobile free of charge.

NISSAN says thanks by giving you continuous RAC roadside assistance for free.

NISSAN will price match like for like competitor written quotes within 10 miles of your local dealer.

NISSAN will propose how to resolve any problem within 2 working days.

NISSAN will guarantee that's what you'll get when you pre-book your test drive either online or through our customer service centre.

AT NISSAN, YOU BRING OUT THE BEST IN US.

You spark our imagination. You provoke our ingenuity. You inspire us to change the rules and innovate. And at Nissan, innovation is not just about additions and extensions; it's about crossing the line to reinvent the status quo. It's about developing unexpected solutions to satisfy your wildest and most pragmatic desires. At Nissan, we design cars, accessories and services that break the mould - making the practical exciting and the exciting practical to offer you a more exhilarating driving experience everyday.



NISSAN CABSTAR OFFERS YOU:

3-YEAR WARRANTY AND 100,000 MILE EXTENDED WARRANTY
 6-YEAR ANTI-CORROSION WARRANTY
 3-YEAR PAINT WARRANTY
 25,000 MILES OR 2 YEAR SERVICE INTERVAL WHICHEVER COMES FIRST

YOU + NISSAN

CARE

For terms and conditions, please visit nissan.co.uk/care



SHIFT_ is an English word from a Japanese car company that best embraces our values and the mission of this corporation. No matter where you are in the world, SHIFT_ is the way we express who we are, how we work and what we are trying to accomplish.

Everything we touch, we SHIFT_ And everything we SHIFT_ we try to make better and uniquely Nissan.

Visit our websites at:
www.nissan.co.uk
www.nissan-lcv.co.uk

Dealer stamp:



SHIFT_business

We take all our environmental responsibilities very seriously - innovation comes today with a deep respect for the environment. Our engines are now much more inobtrusive and their emissions have been considerably reduced. All our vehicles are designed with recycling in mind and are on target to reach 95% recyclability. This brochure is for general guidance only and its content do not in any way constitute an offer or representation from Nissan. Every effort has been made to ensure that the content of this publication is correct at the time of going to press. This brochure has been produced featuring prototypes vehicles exhibited at motor shows. In accordance with the company's policy of continuously improving its products, Nissan Europe reserves the right to change at any time the specifications and the vehicles described and shown in this publication. Nissan dealers will be informed of any such modifications as quickly as possible. Please check with your Nissan dealer to receive the most up-to-date information. Because of the limitations of the printing processes used, the colours shown in this brochure may differ slightly from the actual colours of the paint and interior trim materials used. All rights reserved. Reproduction in whole or part of this brochure without the written consent of Nissan Europe is forbidden. Benefits and services are provided by RAC Motoring Services and/or RAC Insurance Limited. RAC Motoring Services (Company No. 01424399, Head Office: 8 Surrey Street, Norwich, NR1 3NG) in respect of insurance mediation activities only and RAC Insurance Limited (Company No. 2355834, Head Office: 8 Surrey Street, Norwich, NR1 3NG) are authorised and regulated by the Financial Services Authority within the jurisdiction of the Financial Ombudsman Service and the Financial Services Compensation Scheme. Calls may be monitored and/or recorded.

This brochure is made from chlorinefree paper. Part number 99999-53143. Printed in December 2011.





[Contents](#) | [Exterior design](#) | [Interior design](#) | [Technology & Performance](#) | [Style & Accessories](#) | [Technical specifications](#) | [Price List](#) | [Commitments](#)

[Print](#) | [Close](#)

[Cabstar Model and option prices](#) | [Further Information](#)

[REQUEST A TEST DRIVE](#)



CABSTAR 3.4T AND 3.5T

Body	Wheelbase	Cab	Engine	Power (PS)	GVW (kg)	Payload(kg)	Grade	Transmission	Basic Delivered	VED + 1st Reg	Basic On The Road
Chassis	Short	Single	2.5 dCi	120	3,400	1,745	Basic	5 Speed	17,500	270	17,770
			2.5 dCi	140	3,500	1,804	Basic+	6 Speed	19,000	270	19,270
	Medium	Single	2.5 dCi	140	3,500	1,790	Pro	6 Speed	19,950	270	20,220
		Double	2.5 dCi	140	3,500	1,635	Pro	6 Speed	20,950	270	21,220
	Long	Single	2.5 dCi	140	3,500	1,770	Pro+	6 Speed	20,350	270	20,620
		Double	2.5 dCi	140	3,500	1,615	Pro+	6 Speed	21,600	270	21,870
		Single	3.0 dCi	150	3,500	1,687	Pro+	6 Speed	20,950	270	21,220
		Double	3.0 dCi	150	3,500	1,532	Pro+	6 Speed	22,200	270	22,470

Tipper	Short	Single	2.5 dCi	120	3,400	1,170	Basic	5 Speed	20,500	270	20,770
				140	3,500	1,229	Basic+	6 Speed	22,000	270	22,270
	Medium*	Single	2.5 dCi	140	3,500	1,227	Pro	6 Speed	23,150	270	23,420
		Double	2.5 dCi	140	3,500	1,105	Pro	6 Speed	24,150	270	24,420
	Long*	Double	2.5 dCi	140	3,500	1,065	Pro+	6 Speed	24,800	270	25,070
			3.0 dCi	150	3,500	982	Pro+	6 Speed	25,400	270	25,670

*Special build vehicles may be subject to extended delivery. The Basic Delivered prices excludes VAT but includes delivery to the dealership and number plates. The Basic On The Road price excludes VAT but includes delivery to the dealership, number plates, 12 months Vehicle Excise Duty (£215) and Government First Registration Fee of £55.

CABSTAR 3.4T AND 3.5T

Body	Wheelbase	Cab	Engine	Power (PS)	GVW (kg)	Payload (kg)	Grade	Transmission	Basic Delivered	VED + 1st Reg	Basic On The Road
Dropside	Short	Single	2.5 dCi	120	3,400	1,489	Basic	5 Speed	18,800	270	19,070
				140	3,500	1,548	Basic+	6 Speed	20,300	270	20,570
	Medium	Single	2.5 dCi	140	3,500	1,489	Pro	6 Speed	21,450	270	21,720
	Long	Single	2.5 dCi	140	3,500	1,347	Pro+	6 Speed	22,050	270	22,320
	Long*	Single	3.0 dCi	150	3,500	1,264	Pro+	6 Speed	22,650	270	22,920

*Special build vehicles may be subject to extended delivery

The Basic Delivered prices excludes VAT but includes delivery to the dealership and number plates. The Basic On The Road price excludes VAT but includes delivery to the dealership, number plates, 12 months Vehicle Excise Duty (£215) and Government First Registration Fee of £55.

CABSTAR 4.5T

Body	Wheelbase	Cab	Engine	Power (PS)	GVW (kg)	Payload (kg)	Grade	Transmission	Basic Delivered	VED + 1st Reg	Basic On The Road
Chassis	Medium	Single	2.5 dCi	140	4,500	2,722	Pro	6 speed	20,950	220	21,170
		Double	2.5 dCi	140	4,500	2,567	Pro	6 speed	21,950	220	22,170
		Single	3.0 dCi	150	4,500	2,702	Pro	6 speed	21,550	220	21,770
		Double	3.0 dCi	150	4,500	2,547	Pro	6 speed	22,550	220	22,770
	Long	Single	2.5 dCi	140	4,500	2,635	Pro+	6 speed	21,350	220	21,570
		Double	2.5 dCi	140	4,500	2,480	Pro+	6 speed	22,600	220	22,820
		Single	3.0 dCi	150	4,500	2,615	Pro+	6 speed	21,950	220	22,170
		Double	3.0 dCi	150	4,500	2,460	Pro+	6 speed	23,200	220	23,420

The Basic Delivered prices excludes VAT but includes delivery to the dealership and number plates. The Basic On The Road price excludes VAT but includes delivery to the dealership, number plates, 12 months Vehicle Excise Duty (£165) and Government First Registration Fee of £55.

CABSTAR BOX VAN*

Body	Wheelbase	Cab	Engine	Power (PS)	GVW (kg)	Payload (kg)	Grade	Transmission	Basic Delivered	VED + 1st Reg	Basic On The Road
Box Van 14m ³	Short	Single	2.5 dCi	140	3,500	1,374	Basic +	6 Speed	23,900	270	24,170
16m ³	Medium	Single	2.5 dCi	140	3,500	1,345	Pro	6 Speed	25,050	270	25,320
19m ³	Long	Single	3.0 dCi	150	3,500	1,167	Pro+	6 Speed	26,750	270	27,020

*Special build vehicles may be subject to extended delivery. The Basic Delivered prices excludes VAT but includes delivery to the dealership and number plates. The Basic On The Road price excludes VAT but includes delivery to the dealership, number plates, 12 months Vehicle Excise Duty (£215) and Government First Registration Fee of £55.

Standard Box Van Specification

All body panels in white
 GRP Sheeting on all body panels
 Reinforced with aluminium box struts
 Roof with polyester translucent sheeting reinforced with aluminium top hat section
 300mm Kick Board
 18mm Wizardeck flooring
 Side walls with one set of aeroquip lashing bars and two levels of lathe
 Interior light

Additional cost items (Refer to dealer)

Side Door
 Wood lined interior
 500kg column tail lift (only fitted with Roller shutter)
 500kg cantilever tail lift (any rear closure)
 Rear Step
 Euro door shutter inc lock (no cost option)
 Anodised aluminium side guards
 Roof deflector



CABSTAR OPTIONS

	3.4T	3.5T	4.5T	Basic Price
Metallic paint	○	○	○	350
Digital Tachograph*	○	○	●	450
Air Conditioning	○	○	○	700
Passenger airbag		○	○	380
Nissan Connect Satelite Navigation		○	○	500
Tow Bar and Electrics	□	□	□	460.65

Basic Price excludes VAT. NB: Options shown not applicable to Cabstar Box Van / Refrigerated conversions.

Optional - ○ Standard - ● Optional Dealer Fit - □

*Digital tachograph is recommended for towing when the GTW is above 3500kg to meet EU and UK legislation.
Dealer fit option prices include fitting but are only a guide. Please check with your local Nissan dealer for exact prices.



[Contents](#) | [Exterior design](#) | [Interior design](#) | [Technology & Performance](#) | [Style & Accessories](#) | [Technical specifications](#) | [Price List](#) | [Commitments](#)

[Print](#) | [Close](#)

[Cabstar Model and option prices](#) | [Further Information](#)

[Page 1](#) | [Page 2](#) | [Page 3](#) | [Page 4](#) | [Page 5](#) | [Page 6](#) | [Page 7](#)

REQUEST A TEST DRIVE



REFRIGERATED RANGE*

Model	Body	Wheelbase	Engine	Power (PS)	Grade	GVW (kg)	Payload (kg)	Transmission	Basic Delivered	VED + 1st Reg	Basic On The Road
NV200	Freezer	Standard	1.5 dCi	89	E	2,000	650	5 Manual	18,415	270	18,685
	Freezer	Standard	1.5 dCi	89	SE	2,000	650	5 Manual	19,100	270	19,370
	Freezer	Standard	1.5 dCi	110	SE	2,000	631	6 Manual	19,450	270	19,720
Primastar	Chiller	Short	2.0 dCi	115	SE	2,950	1,040	6 Manual	22,600	270	22,870
	Freezer	Short	2.0 dCi	115	SE	2,950	1,040	6 Manual	23,500	270	23,770
Cabstar	Chiller	Short	2.5 dCi	140	Basic+	3,500	1,188	5 Manual	30,200	270	30,470
	Freezer	Short	2.5 dCi	140	Basic+	3,500	1,188	5 Manual	30,550	270	30,820
	Chiller	Medium	2.5 dCi	140	Pro	3,500	1,091	6 Manual	31,650	270	31,920
	Freezer	Medium	2.5 dCi	140	Pro	3,500	1,091	6 Manual	32,000	270	32,270

*Special build vehicles may be subject to extended delivery. The Basic Delivered prices excludes VAT but includes delivery to the dealership and number plates. The Basic On The Road price excludes VAT but includes delivery to the dealership, number plates, 12 months Vehicle Excise Duty (£215) and Government First Registration Fee of £55.

REFRIGERATED RANGE OPTIONS

ONE STANDARD COLOUR: WHITE

Van Specification

One piece high thermal efficient GRP panels throughout body construction
 High impact fibreglass, wood free construction
 75mm upturn on floor for leak free bath
 80mm insulation pods
 Freezer -20°C

Cabstar Specification as above plus:

Twin rear doors closed with external stainless steel brace on both doors
 One set stainless steel load lock control system to side panels at 1000mm
 Alloy kick strip protection on side walls and bulkhead to 150mm
 63mm insulation side panels freezer
 25mm insulation side panels chiller
 K factor to 0.34W/°C

Additional cost items (refer to dealer)

Side door
 Curtains at rear
 Curtains at side door
 Power standby
 Rear step
 Folding step (Cabstar)
 Lock load rails
 Temp recorder
 Dual temp compartments (Restricted to certain vehicles)

NISSAN VAN INSURANCE

Did you know you can insure your van through Nissan Insurance?

With Nissan Van Insurance, you can be sure that you'll get the right cover at a great price. You'll also be dealing with people who really understand the way your business works. We know you want to save money, so our premiums are price-matched against the UK's leading insurers to give you great value.

Benefits include:

- Fully comprehensive cover available for virtually any type of business use
- 24/7 accident recovery helpline
- Discounts for branded vans and fixtures such as ladder holders
- Windscreen cover included as standard
- All repairs carried out in a Nissan dealership/Nissan approved repair centre
- All repairs carried out using Nissan Genuine Parts
- Like-for-like replacement provided if your vehicle is written off in the first 12 months

Call for a quote today on **0800 011 3528** and find out just how much money you could save with Nissan Van Insurance.

All quotes are based on individual circumstances and are subject to insurer's underwriting criteria. Terms and conditions apply, Nissan Insurance is arranged and administered by Equity Insurance Brokers Limited, which is authorised and regulated by the Financial Services Authority. Registered Office: Library House, New Road, Brentwood, Essex CM 14 4GD. Registered in England No. 258414. Nissan Motor (GB) Limited is authorised and regulated by the Financial Services Authority.

FURTHER INFORMATION

Price Protection Plan. Order a new Nissan for delivery no more than 4 weeks in advance and the price you are quoted is the price you pay. This is irrespective of any subsequent price rises between placing your order and delivery of your new vehicle. Nissan Motor (GB) is not liable for price adjustments caused by Government changes in the rate of VAT or by any other applicable legislation or regulation or Vehicle Excise Duty.

Navara - Three year/60,000 miles manufacturer's warranty - Nissan's comprehensive warranty provides cover for your new Nissan from defects in materials or workmanship. Your vehicle is covered in all European Countries where Authorised Nissan Dealers are located. If your vehicle becomes inoperative due to warrantable defects, a towing service, when necessary, to the Authorised Dealer is covered. If a warrantable defect abroad takes more than six hours to repair, the Touring Assistance Programme will pay for a hotel or rental car to a certain maximum. The paint warranty covers painted body parts (excluding the underbody) for three years regardless of mileage driven. For further details please contact your local Authorised Nissan Dealer.

LCV model (including NV200, Primastar, NV400 and Cabstar) - New Vehicle Warranty is issued by Nissan International SA is valid for 3 years from the warranty start date or 60,000 miles, whichever comes first. In addition, for each new LCV model (including NV200, Primastar, NV400 and Cabstar) sold by an authorised UK Nissan dealer, Nissan Motor (GB) Limited (NMGB) will issue an extension to the New Vehicle Warranty. This warranty extension will cover your vehicle from 60,000 miles up to 100,000 miles or 3 years from the warranty start date, whichever comes first. Please note that audio and navigation units will not be covered by the warranty extension.

Special build conversions may be subject to extended delivery.

The conversions in this price list are from Nissan Motor GB-appointed converters and have warranty terms in line with the Nissan Pan European Warranty. The converter is responsible for all aspects of the conversion.

Nissan European Roadside Assistance is provided for the first three years of your van's life. Please see www.nissan-aftersales.co.uk for full details including terms and conditions.

Recyclability - we take our environmental responsibilities very seriously - innovation today comes with a deep respect for the environment. Our engines are now much more unobtrusive and their emissions have been considerably reduced. All our vehicles are designed with recycling in mind.

All prices in this list are quoted in pounds sterling. Value Added Tax (VAT) has been calculated at 20%. Accessory prices are subject to change, please see your nearest dealership for the most up to date prices.

While all reasonable effort has been made to ensure the accuracy of the information provided, due to Nissan's policy of continuous product improvement, all particulars contained are subject to constant revision and Nissan reserves the right to change, alter or modify among other things, specifications, colours and prices of models without notice at any time. Accordingly you should consult your local Nissan Dealer for the exact introduction dates of all models and for the most up-to-date information.



YOU + NISSAN

CARE

You care about the car you drive. So do we. That's why we're making a commitment to providing the best customer service in the market.

Find out more nissan.co.uk/care



Nissan cares for you because you care about your Nissan.
That's why we'll make the following commitment:

YOU care about staying on the road when your Nissan is in for service or repair.

YOU care about quality enough to have your Nissan serviced at a Nissan dealership.

YOU care about getting the best value for money when it comes to service and repair.

YOU care about having your problems resolved quickly.

YOU care about getting the right Nissan model, engine & gear box to test drive.

NISSAN will keep you mobile free of charge.

NISSAN says thanks by giving you continuous Nissan roadside assistance for free.

NISSAN will price match like for like competitor written quotes within 10 miles of your local dealer.

NISSAN will propose how to resolve any problem within 2 working days.

NISSAN will guarantee that's what you'll get when you pre-book your test drive either online or through our customer service centre.



Find out more nissan.co.uk/care



[REQUEST A TEST DRIVE](#)





NV200



NV400



Cabstar

SHIFT_ is an English word from a Japanese car company that best embraces our values and the mission of this corporation. No matter where you are in the world, SHIFT_ is the way we express who we are, how we work and what we are trying to accomplish.

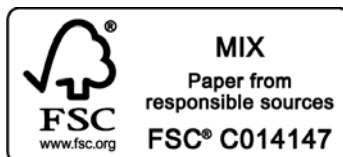
Everything we touch, we SHIFT_. And everything we SHIFT_ we try to make better and uniquely Nissan.

NISSAN MOTOR (GB) LIMITED

The Rivers Office Park
Denham Way
Maple Cross
Rickmansworth
Hertfordshire
WD3 9YS

Visit our website at: www.nissan.co.uk

Dealer stamp:



Part Number: 99999-53153

Prices effective from 1st February 2013 unless otherwise stated.