



The Audi A4, A4 allroad and S4

Pricing and Specification Guide
Valid from April 2015

Personalising your Audi A4

This guide has been designed to help you tailor and price your Audi A4 quickly and logically. At the back, you will find information on CO2 emissions-based taxation and the other services offered by Audi, including Finance and Insurance. You can also configure your Audi A4 online at audi.co.uk



Get more from this brochure with the free Audi Vision app.

Audi Vision brings our brochures to life through Augmented Reality. It works by recognising images on a page through your device's camera. Suitable for phones or tablets, download it for free from the App Store or Google Play. Once downloaded, simply open the app and scan the cover of your guide. Then look out for any page with the Audi Vision logo, you can then hold your device over the page and watch as you get exclusive access to extra images, information and video content.



The Audi A4

Engines	12
Transmissions	13
Efficiency	14
quattro®	16

Model details and prices

SE model equipment	20
SE Technik model equipment	22
S line Nav model equipment	24
Black Edition Nav model equipment	26
A4 allroad model equipment	28
A4 allroad Sport Nav model equipment	30
S4 Nav model equipment	32
S4 Black Edition Nav model equipment	34
Model prices	36

Audi exclusive

Colour and upholstery

Paint	42
Upholstery	46
Seats	54
Colour and trim guide	56

Inlays

Options

Wheels, tyres and suspension	66
Technology package	70
Audio and communication	72
Interior equipment	74
Exterior equipment	76
Safety and security	78
Steering wheels	79

Looking after your Audi

Audi Complete and Warranty	80
Accessories	83
Merchandise	84
Audi Difference	85

Technical details

Technical data	86
Dimensions	94
Pricing and Additional information	99





Vorsprung durch Technik

Three words that express the very essence of Audi. Vorsprung durch Technik isn't a slogan. It's our way of seeing the world. It is the driving force behind our history of innovation that continues into the 21st century. Indeed, many technologies that Audi pioneered remain in our cars today. Some are milestones in the history of the motorcar.

From our beginnings in 1899, to the Auto Union team's Grand Prix successes in the 1930s and our more recent wins at Le Mans, we have always been at the forefront of the motor industry.

Vorsprung durch Technik makes us who we are. To see more of its influence, just read on.





The Audi A4

Driving just got more personal. We've developed a range of technologies for the Audi A4 to give you exceptional precision and efficiency on every journey. But you'll also find great design quality, for a crisper and more focused look and feel both inside and out. Just as forward-thinking is the wide choice of engines – from the 1.8 TFSI to the 3.0 TDI quattro, enabling you to find the engine that's right for you and your needs.









A4 interior story

We've introduced a number of finishing touches to the Audi A4 interior to make your driving experience both comfortable and unique. You'll find an impressive attention to detail in everything from the colour Driver's Information System to our optional luxurious leather upholstery, which means that every journey you make will be a personal one.

Engines

Petrol

FSI® direct-injection technology is a unique Audi innovation that was originally developed for the Le Mans 24-hour endurance race to deliver more power and torque, as well as enhanced fuel efficiency. Precisely the right amount of fuel and air are injected into the combustion chambers, enabling the engine to 'breathe' more easily. It results in reduced heat loss and increased output, with around a 15% reduction in fuel consumption and significantly lower exhaust emissions. We've also developed TFSI®, with either turbocharging or supercharging, which combines FSI® technology with forced induction – giving cars an extra injection of power.

Diesel

We introduced TDI® to the roads in 1989, and since then, we've continuously refined it, including developing common-rail technology. Under this system, a series of piezo injectors use electrical charge to precisely control the amount of fuel injected into the engine. As well as reducing noise, this allows combustion to happen at a lower temperature, with less oxygen, which lowers emissions.





Transmissions

multitronic®

Translating a driver's preferences and intentions into road performance, the multitronic® transmission system entertains no compromises – whether in terms of dynamism, convenience or economy. multitronic® automatic transmission is available on models without quattro® permanent all-wheel-drive. A continuously variable transmission, multitronic® can transmit up to 380 Nm of torque and permits an exceptionally wide range of gear ratios. The result is smooth, powerful acceleration and a high level of driving comfort. And thanks to its lightweight design and a number of advanced electronic control systems that monitor gradient, road conditions and the way the driver is using the accelerator pedal, multitronic® also plays an instrumental role in reducing fuel consumption.

S tronic®

Driving is all about thinking ahead, which is just what the S tronic® dual-clutch transmission does. It works almost as two separate systems, one engaging the odd-numbered and the other the even-numbered gears. So when you're accelerating in second, it has third gear waiting for you. And once you make the switch, it's already thinking about fourth. With two clutches working together, you can change gears almost instantly while experiencing smooth, uninterrupted power.

Efficiency

At Audi, doing less is something we're trying to do more of. We're working to use less fuel, release less CO₂ and waste less energy. It's why we've incorporated a number of more efficient technologies into the Audi A4.

Recuperation

When a vehicle brakes, the discs convert the kinetic energy into thermal energy, which is wasted as it cannot be used. With a recuperation system, like the one in the Audi A4, the kinetic energy is converted into useful electrical energy. The way it works is simple. While the car is coasting or braking, the alternator voltage is raised above the level of the basic electrical system, which enables the alternator to generate electrical energy and store it temporarily in the battery. When the vehicle accelerates, this energy is used to relieve the load on the alternator, resulting in a fuel saving of up to 3%.

Automatic Start-Stop function

In heavy traffic, your car still uses fuel and releases CO₂, even when it's stationary. The automatic Start-Stop function counteracts this problem by switching off the engine when your car comes to a standstill. As soon as you touch the clutch, the car restarts. In conjunction with TDI® and TFSI®, it helps save up to 0.4 litres of fuel every 100km.





Audi ultra

Audi ultra brings together specialist Audi knowledge and the latest innovations to create our most optimised models yet. As a result the Audi A4 ultra delivers the lowest CO₂ emissions and fuel consumption in the A4 range.

Efficiency programmes

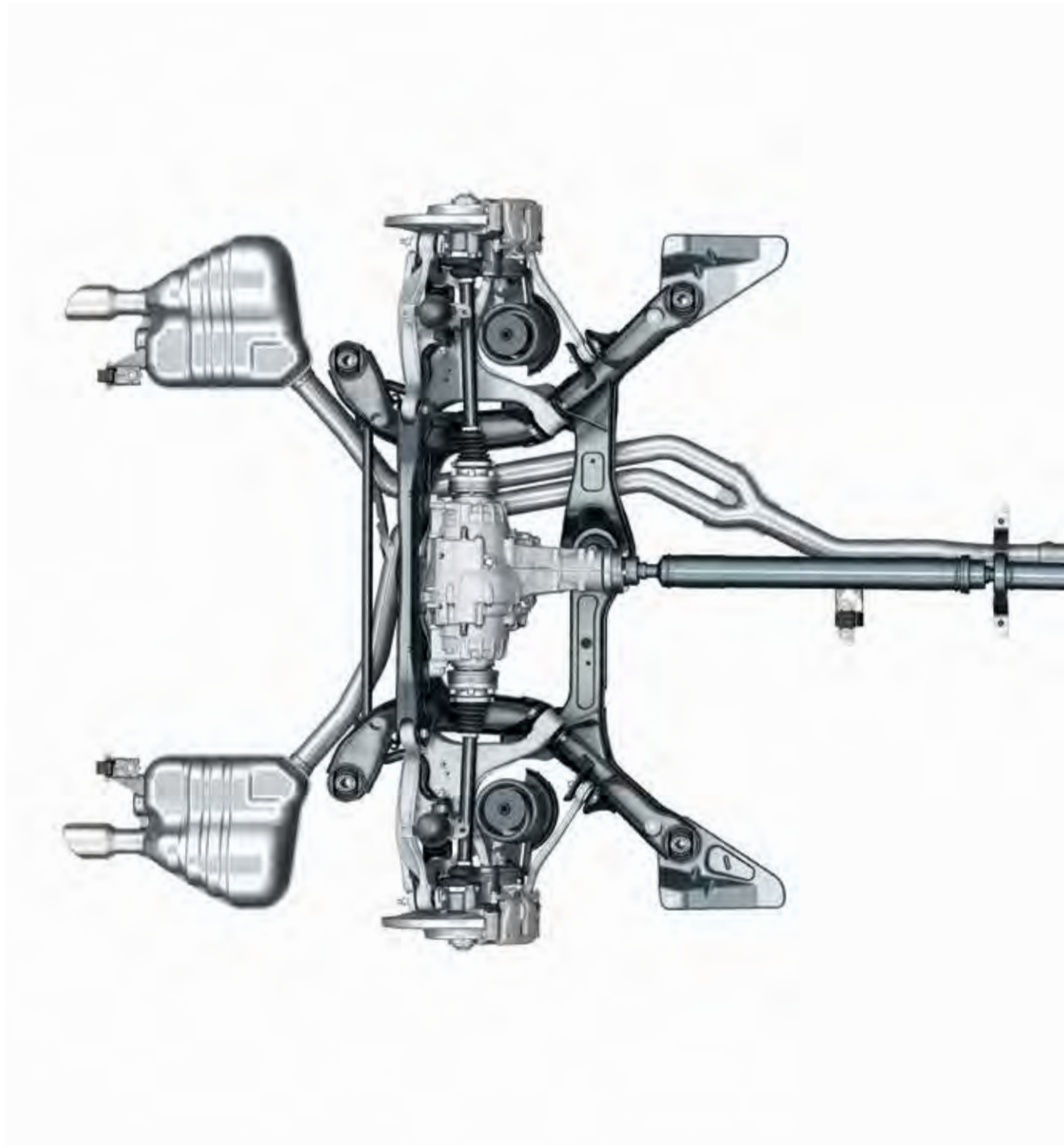
The Driver's Information System in the Audi A4 comes with an innovative efficiency programme as standard which offers advice on improving fuel economy as you drive. It also shows you which items in your car are using energy, and how much, so you can make an informed choice about which ones to switch off. Through the optional Audi drive select system, you can choose a new efficiency setting which helps you drive even more economically.

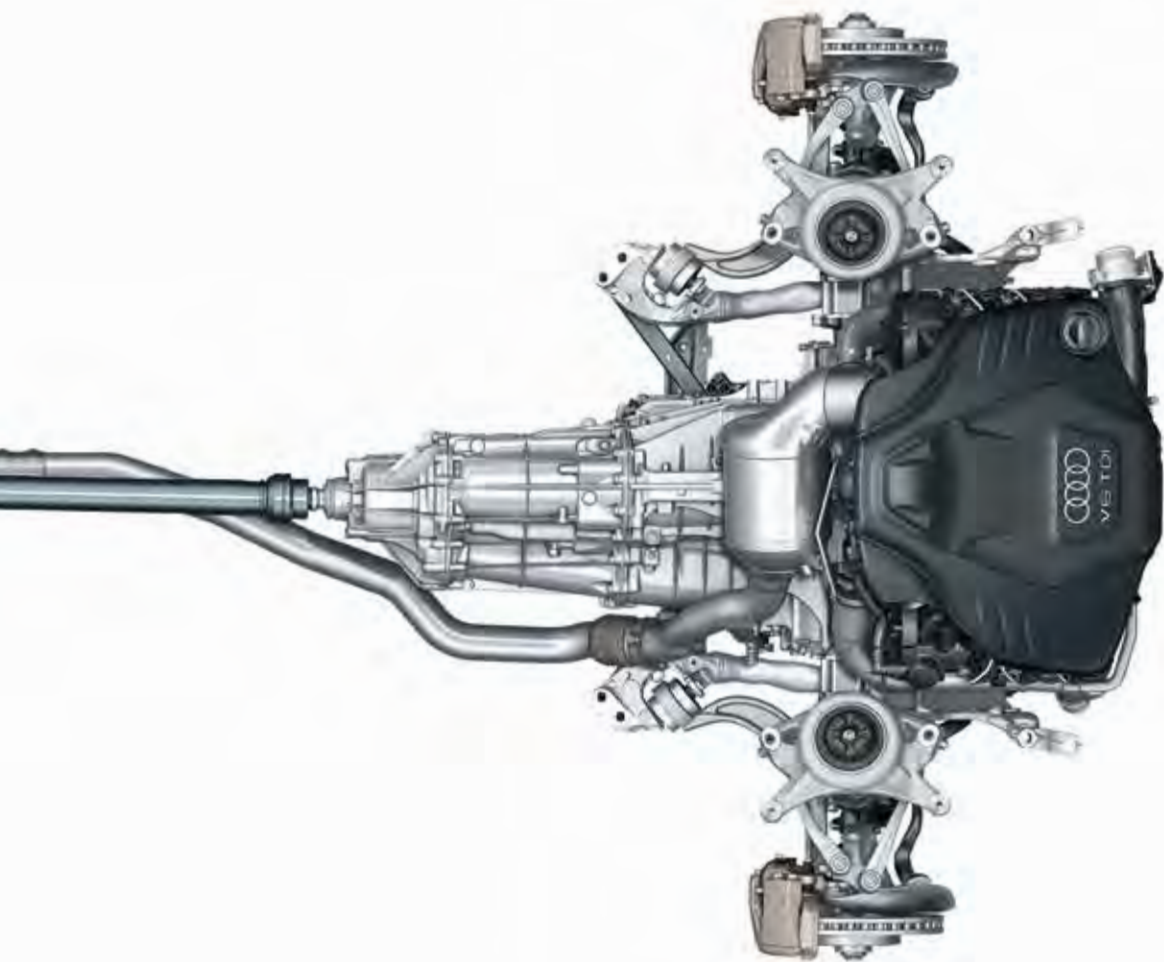
Aerodynamics

A car's shape can have a significant effect on its efficiency. It's why we've worked to make the Audi A4 as aerodynamic as possible.

quattro®

It's the technology that has given Audi the edge on the rally circuit ever since it was first introduced over 30 years ago – a technology that delivers ultimate control whilst enhancing the sporty characteristics which make the Audi A4 so thrilling to drive. It's called quattro® permanent all-wheel-drive. The principle is simple: in the same way that four brakes ensure better deceleration, four permanently-driven wheels deliver better acceleration and road-holding, pushing or pulling the car as needed, for a driving experience that's both dynamic and safe.





In the Audi A4, asymmetric dynamic torque distribution continuously distributes drive power between the front and rear axles depending on weather conditions, road surface and gradient, which increases flexibility for an enhanced, sportier drive.

quattro® with Sports differential

The optional electronically regulated Sports differential distributes variable amounts of drive force to each rear wheel, ensuring outstanding acceleration performance in corners and stabilising the vehicle's response to load change. It also brings better direct steering characteristics and, as it requires less steering effort, more agile handling.





SE model equipment

All A4 models have the following items of standard equipment

Engine

Automatic Start-Stop function for greater fuel and CO₂ efficiency

Misfuelling inhibition for diesel engines

Recuperation for optimal energy utilisation

Wheels, tyres and suspension

17" x 7.5J '5-spoke' design alloy wheels with 225/50 R17 low rolling resistance tyres and locking wheel bolts

Space-saver spare wheel

Sports suspension lowered by 20mm

Exterior equipment

Auto-opening boot lid (Saloon models only)

Exhaust pipes – 4-cylinder models have twin exhaust pipes on the left hand side. 6-cylinder models and the 2.0 TFSI Avant and allroad models have one exhaust pipe on each side with chrome exhaust trim

Exterior aluminium package

Exterior mirrors – electrically operated and heated

Halogen headlights with electric headlight range control and daytime running lights

Power-operated tailgate – opened by pressing button on the car key, button in the driver's door panel or soft-touch button in the handle recess on the luggage compartment lid. Closed by pressing a button on the inside of the luggage compartment lid. The opening of the luggage compartment lid can be programmed to desired height (Avant models only)

Roof rails in bright finish (Avant models only)

Single frame front radiator grille with Stone grey horizontal bars

Tyre pressure loss indicator – visual and acoustic warning if the pressure drops in one or more tyres

Interior equipment

3-zone climate control with separate air distribution and digital display for driver and front passenger. System includes air-conditioning controls in the rear centre console for rear passenger compartment

4-spoke leather multi-function steering wheel adjustable for height and reach

12V power socket in boot

Acoustic windscreen for reduced outside noise

Aluminium trigon inlays

Auto-dimming rear-view mirror

Cruise control – maintains any speed above 18mph, provided the engine power output and engine braking effect permit it; operated via separate steering column stalk. The set speed is displayed in the Driver's Information System

Door sill trims in Aluminium optic



Colour Driver's Information System (DIS), with rest recommendation



17" x 7.5J '5-spoke' design alloy wheels

Electric front and rear windows

Electromechanical parking brake includes parking brake function when stationary, drive-off assistance function through automatic release when driving away and emergency braking function whilst driving, acting on all 4 wheels

Electromechanical power steering**Front and rear floor mats**

Front centre armrest including 12V power socket

Interior chrome package**Rear armrest****Seats**

Cosinus cloth seats with manual height adjustment

Split-folding rear seats. Can be split and folded 40:60 or fully

Audio and communication

Concert radio which includes:

- Single CD drive and SDHC memory card reader which are both MP3, WMA and AAC compatible
- 6.5" colour centre display with MMI operating logic
- AUX-IN connection
- TP memo – automatically saves traffic news when driving

Bluetooth interface for hands-free mobile phone connectivity. Includes voice control for telephone functions

Colour Driver's Information System with energy-saving tips and rest recommendations. Shows the radio station or track title, telephone control, menu and other display information from the infotainment system such as navigation (if fitted). Also includes an on-board trip computer with short and long-term trip memory, outside temperature display, digital speedometer and door or boot open warning

DAB digital radio reception – receives programmes from digital radio transmitters in addition to the range of analogue stations with better sound quality. When combined with a navigation system, a second DAB twin tuner permanently searches for alternative reception frequencies of the set station, and the station list is updated at the same time. Please note: reception depends on local digital network availability. When combined with MMI Navigation system plus (PNQ) it is also capable of receiving DAB+ and DMB audio signals

Audi sound system speaker package – 10 speakers including subwoofer (180 Watts)

Safety and security

Airbag system for driver, front passenger, front side and head airbag with front passenger airbag deactivation switch

Rest recommendation system – analyses driving behaviour based on steering, pedals and gear lever movements. If the system detects a change in driving patterns it can, via audio and visual effects, notify the driver of the possible need to take a rest

Car jack

ESP including limited-slip differential on front-wheel-drive models

First aid kit**Front and rear fog lights**

ISOFIX Child seat mounting – for front passenger (with airbag deactivation) and outer rear seats. Including Top Tether attachment point for the outer rear seats

Light and rain sensor – automatically switches the dipped beam headlights and windscreen wipers on/off depending on the light and rain conditions. Also includes coming home/leaving home function which delays the deactivation of the front and rear lights after locking and automatic activation of the lights when unlocking

Rear parking sensors – facilitate parking by acoustically indicating the distance to obstacles; measurement is by ultrasonic sensors integrated discreetly into the bumper

Thatcham Category 1 alarm and immobiliser**Toolkit****Warning triangle**

Rear parking sensors



Aluminium trigon inlays

SE Technik model equipment

In addition to SE model equipment

Total RRP inc VAT
£1,000.00

Wheels, tyres and suspension

18" x 8J '10-spoke' Exclusive design alloy wheels (excluding TDI ultra models)

TDI ultra models feature 17" x 7.5J '5-spoke' design alloy wheels with 225/50 R17 low rolling resistance tyres

Standard suspension. TDI ultra models have Sports suspension (lowered by 20mm)

Exterior equipment

Metallic paint

Single frame front radiator grille with chrome horizontal bars

Interior equipment

Milano leather upholstery – includes seats, head restraints, door inserts and front centre armrest in leather

Audio and communication

MMI Navigation system plus. Hard disk navigation with topographical map display, places of interest and town models in 3D, with high-resolution 7" colour TFT display. The system offers three alternative routes, with the ability to scroll along the selected route and manoeuvre within the map. Uses 7-digit postcode recognition. Includes split-screen mode for route information, dynamic route guidance (TMC), intersection zoom function, motorway exits and lane recommendations in the Driver's Information System (DIS). Includes 2 SD card readers, single CD/DVD player, 40GB hard drive and Jukebox (20GB) for storing and managing music files in WMA and MP3 format. Includes European navigation data (where digitised)

Additional functionality is available when combined with optional Mobile telephone preparation – High with Audi Connect (9ZW). For more details please see option 9ZW, featured in the options section of the guide

Audi Music Interface – connection for use with stereo audio sources, USB and MP3 devices including Apple iPod generation 4 onwards and Apple iPhone

Safety and security

Audi parking system plus – acoustic and visual park assist system for the front and rear with MMI screen display; measurement is by ultrasonic sensors concealed in the bumpers



Audi parking system plus



MMI Navigation system plus



Standard seat in Milano leather upholstery



S line Nav model equipment

In addition to SE model equipment

Total RRP inc VAT
£2,905.00

Wheels, tyres and suspension

18" x 8J '5-twin-spoke' design alloy wheels with 245/40 R18 Y tyres

TDI ultra model features 17" x 7.5J '5-spoke' design alloy wheels with 225/50 R17 low rolling resistance tyres

Sports suspension 20mm lower than standard with stiffer spring and damper tuning for more direct contact with the road and sportier handling (S line Sports suspension 30mm lower than standard – available in lieu of Sports suspension at no charge)

Exterior equipment

Headlight washers for excellent illumination and improved visibility

S line exterior styling package including:

- S line side skirts
- S line front and rear bumpers
- S line diffuser insert in Platinum grey
- S line badges on wings

Rear LED lights

Roof spoiler (Avant models only)

Side radiator grilles in black honeycomb structure

Single frame front radiator grille with high-gloss black horizontal bars

Xenon headlights with LED daytime-running lights

Interior equipment

3-spoke S line multi-function steering wheel with paddle shift for automatic models

Black headlining

Front Sports seats including electric lumbar support

Sprint cloth/leather upholstery with S line embossing

Jet grey stitching to upholstery, steering wheel, gear lever gaiter and floor mats

Matt-brushed aluminium inlays

Perforated leather gear knob

S line sill plates

Audio and communication

MMI Navigation system plus. Hard disk navigation with topographical map display places of interest and town models in 3D, with high-resolution 7" colour TFT display. The system offers three alternative routes, with the ability to scroll along the selected route and manoeuvre within the map. Uses 7-digit postcode recognition. Includes split-screen mode for route information, dynamic route guidance (TMC), intersection zoom function, motorway exits and lane recommendations in Driver's Information System (DIS). Includes 2 SD card readers, single CD/DVD player, 40GB hard drive and Jukebox (20GB) for storing and managing music files in WMA and MP3 format. Includes European navigation data (where digitised). Additional functionality is available when combined with optional Mobile telephone preparation – High with Audi Connect (9ZW). For more details please see option 9ZW, featured in the options section of the guide



Diffuser insert in Platinum grey



Xenon headlights



3-spoke multi-function steering wheel



MMI Navigation system plus



Image shows the A4 Saloon S line Nav model with optional Scuba blue, metallic paint (S9)

Black Edition Nav model equipment

In addition to S line
Nav model equipment

Total RRP inc VAT
£1,500.00

Wheels, tyres and suspension
19" x 8.5J '5-V-spoke' design alloy wheels
in matt titanium finish with 255/35
R19 tyres

Exterior equipment

Black styling package – front radiator grille frame and window surround in high-gloss black, with radiator grille and number plate holder in matt black.

Avant models include black roof rails

Privacy glass – dark tinted from B-pillar backwards (Avant models only)

Gloss black exterior mirror housings*

Enhanced rear spoiler on the luggage compartment lid

Dynamic front bumper with large air inlets and blade in high-gloss black

Side sill trims and diffuser frame in high-gloss black

Interior equipment

3-spoke multi-function flat-bottomed steering wheel with paddle shift for automatic models

Piano finish black inlays

Stainless steel pedals (only available on automatic models)

Audio and communication

Audi Music Interface – connection for use with stereo audio sources, USB and MP3 devices including Apple iPod generation 4 onwards and Apple iPhone

Bang & Olufsen sound system – 14 high-performance speakers and 2 amplifiers which create 505 Watts of stunning surround sound, balanced to suit the specific acoustic properties of the car's interior

Safety and security

Audi parking system plus – acoustic and visual park assist system for the front and rear with MMI screen display; measurement is by ultrasonic sensors concealed in the bumpers



3-spoke multi-function flat-bottomed steering wheel



Audi Music Interface



Bang & Olufsen sound system



Image shows the A4 Avant Black Edition Nav model with Misano red, pearl effect paint (N9)

A4 allroad model equipment

In addition to SE model equipment

The A4 allroad quattro combines the assertive look of an off-road vehicle with the elegance of an Avant. With increased body height and a wider wheel track, the A4 allroad quattro makes a powerful impression. And the quality of your ride is also enhanced, using suspension technology developed specifically for the allroad quattro for a reliable and consistent off-road drive. Alongside greater stability, you'll also have outstanding grip in the most demanding conditions thanks to our quattro permanent all-wheel-drive system and ESP off-road detection, both of which come as standard. So whether you're on or off the road, the A4 allroad quattro is just as capable.

Wheels, tyres and suspension

18" x 8J '10-spoke' design alloy wheels with 245/45 R18 tyres

37mm suspension lift over standard A4

Collapsible spare wheel

Off-road detection system – recognises the quality of the ground and adjusts the ESP accordingly

Exterior equipment

A4 allroad single frame grille with vertical chrome bars

Bumpers in contrasting paint finish (please see page 59 for colour guide)

Headlight washers for excellent illumination and improved visibility

High roof rails

Off-road aluminium package – including roof rails, roof frame and window capping strips in aluminium, B-pillar trim and triangular panels on the rear doors in high-gloss black and sill extensions with stainless steel insert

Roof rails in bright finish

Underbody protection in stainless steel

Wheel arch and sill extensions

Interior equipment

Door sill trims with allroad quattro logo

Load-area fixing kit – includes load-area rails, telescopic bar and securing belt for dividing up luggage compartment

Inlays in Micrometallic silver

Reversible luggage compartment floor mat – can be reversed to provide a rubber mat which extends to cover the entire load area and protect rear bumper

Storage package – comprising storage nets on front seat back-rests, storage compartment under the front seats, drinks holder in the rear centre armrest and a lockable glove compartment

Seats

Tundra cloth upholstery



Door sill trims with allroad quattro logo



High roof rails



Underbody protection in stainless steel



Image shows the A4 allroad model with optional Moonlight blue, metallic paint (W1)

A4 allroad Sport Nav model equipment

In addition to allroad model equipment

Total RRP inc VAT
£2,800.00

Wheels, tyres and suspension

19" x 8J '5-arm Structure' design alloy wheels with 245/40 R19 tyres

Audi drive select. Changes your car's handling and responses at the touch of a button to suit the way you want to drive. Enables the driver to alter the throttle response, the shift point of the automatic transmission and the power steering feel between the four pre-set modes (comfort, dynamic, auto and efficiency). Efficiency mode also adjusts the climate control and the cruise control for consumption improvement

Exterior equipment

Xenon headlights with LED daytime-running lights

Rear LED lights

Privacy glass – dark tinted from B-pillar backwards

Interior equipment

Front Sports seats including electric lumbar support

Leather/Alcantara upholstery

Aluminium trigon inlays

Audio and communication

MMI Navigation system plus. Hard disk navigation with topographical map display, places of interest and town models in 3D, with high-resolution 7" colour TFT display. The system offers three alternative routes, with the ability to scroll along the selected route and manoeuvre within the map. Uses 7-digit postcode recognition. Includes split-screen mode for route information, dynamic route guidance (TMC), intersection zoom function, motorway exits and lane recommendations in Driver's Information System (DIS). Includes 2 SD card readers, single CD/DVD player, 40GB hard drive and Jukebox (20GB) for storing and managing music files in WMA and MP3 format. Includes European navigation data (where digitised). Additional functionality is available when combined with optional Mobile telephone preparation – High with Audi Connect (9ZW). For more details please see option 9ZW, featured in the options section of the guide





Image shows the A4 allroad Sport Nav model with optional Utopia blue, metallic paint (D2)



S4 Nav model equipment

In addition to SE model equipment

Wheels, tyres and suspension

18" x 8.5J '5-double-spoke S' design alloy wheels with 245/40 R18 tyres

'S' Sports suspension with stiffer spring and damper tuning for more direct contact with the road and sportier handling

Exterior equipment

4-oval twin tailpipes in chrome finish

Aluminium-effect door mirror housings

Headlight washers for excellent illumination and improved visibility

Integrated boot-lid spoiler (Saloon models only)

LED tail-lights

Painted brake calipers with S4 logo (on front brakes only)

Platinum grey single frame front radiator grille with chrome horizontal bars

Roof spoiler (Avant models only)

'S' front and rear bumpers and side skirt

Xenon headlights with LED daytime-running lights

Interior equipment

3-spoke 'S' Sports multi-function steering wheel with aluminium-look paddle shift

Aluminium scuff plates

Interior lighting package – includes front and rear footwell lighting, active door reflectors, illuminated vanity mirrors, rear reading lights, entrance lights and illuminated glove compartment, vents and internal door controls

Inlays in Matt-brushed aluminium 'S' instrument cluster

Seats

Sports seats with electric adjustment and lumbar support

Leather/Alcantara upholstery

Audio and communication

MMI Navigation system plus. Hard disk navigation with topographical map display, places of interest and town models in 3D, with high-resolution 7" colour TFT display. The system offers three alternative routes, with the ability to scroll along the selected

route and manoeuvre within the map.

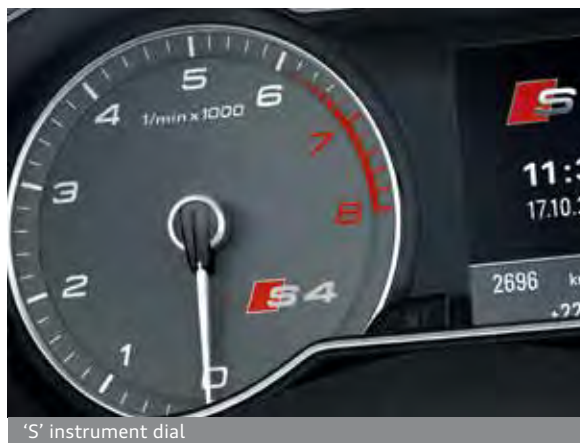
Uses 7-digit postcode recognition. Includes split-screen mode for route information, dynamic route guidance (TMC), intersection zoom function, motorway exits and lane recommendations in the Driver's Information System (DIS). Includes 2 SD card readers, single CD/DVD player, 40GB hard drive and Jukebox (20GB) for storing and managing music files in WMA and MP3 format. Includes European navigation data (where digitised). Additional functionality is available when combined with optional Mobile telephone preparation – High with Audi Connect (9ZW). For more details please see option 9ZW, featured in the options section of the guide

Safety and security

'S' model enhanced braking system



Optional S4 Super Sports seats



'S' instrument dial



Oval twin tailpipes in chrome finish



Image shows S4 Nav model with optional Misano red, pearl effect paint (N9)



S4 Black Edition Nav model equipment

In addition to S4 Nav model equipment

Total RRP inc VAT
£1,075.00

Wheels, tyres and suspension

19" x 8.5J '5-arm Rotor' design titanium finish alloy wheels with 255/35 R19 tyres

Exterior equipment

Black styling package – front radiator grille frame and window surround in high-gloss black, with radiator grille and number plate holder in matt black. Avant models include black roof rails

Privacy glass – dark tinted from B-pillar backwards (Avant models only)

Interior equipment

3-spoke 'S' Sports multi-function flat-bottomed steering wheel with aluminium-look paddle shift
Piano finish black inlays

Audio and communication

Audi Music Interface provides connection for use with stereo audio sources, USB and MP3 devices including Apple iPod generation 4 onwards and Apple iPhone

Bang & Olufsen sound system provides surround sound reproduction with dynamic compensation for road noise, digital amplifier and 14 high-performance loudspeakers (505 Watts)

Safety and security

Audi parking system plus – acoustic and visual park assist system for the front and rear with MMI screen display; measurement is by ultrasonic sensors concealed in the bumpers (Saloon models only)



Audi Music Interface



Bang & Olufsen sound system



S4 badging for S4 quattro and S4 quattro Black Edition



Image shows S4 Nav Black Edition model with optional Floret silver, metallic paint (L5)

A4 Saloon SE

Engines	Power	Transmissions	CO ₂ g/km	Total RRP inc VAT	Recommended OTR
2.0 TDI ultra	136PS	6-speed manual	108	£27,555.00	£28,240.00

A4 Saloon SE Technik

Engines	Power	Transmissions	CO ₂ g/km	Total RRP inc VAT	Recommended OTR
1.8 TFSI	170PS	6-speed manual	134*	£26,605.00	£27,420.00
1.8 TFSI	170PS	multitronic	139*	£28,085.00	£28,900.00
2.0 TDI ultra	136PS	6-speed manual	108	£28,555.00	£29,240.00
2.0 TDI	150PS	multitronic	127*	£29,590.00	£30,275.00
2.0 TDI ultra	163PS	6-speed manual	109	£29,055.00	£29,740.00
2.0 TDI	190PS	6-speed manual	124*	£29,055.00	£29,740.00
2.0 TDI	190PS	multitronic	126*	£30,535.00	£31,220.00
2.0 TDI quattro	190PS	6-speed manual	135*	£30,485.00	£31,300.00
2.0 TDI quattro	190PS	S tronic	139*	£31,965.00	£32,780.00

A4 Avant SE

Engines	Power	Transmissions	CO ₂ g/km	Total RRP inc VAT	Recommended OTR
2.0 TDI ultra	136PS	6-speed manual	113	£28,855.00	£29,540.00

A4 Avant SE Technik

Engines	Power	Transmissions	CO ₂ g/km	Total RRP inc VAT	Recommended OTR
1.8 TFSI	170PS	6-speed manual	141*	£27,905.00	£28,735.00
1.8 TFSI	170PS	multitronic	144*	£29,385.00	£30,215.00
2.0 TDI ultra	136PS	6-speed manual	113	£29,855.00	£30,540.00
2.0 TDI	150PS	multitronic	130*	£30,890.00	£31,575.00
2.0 TDI ultra	163PS	6-speed manual	114	£30,355.00	£31,040.00
2.0 TDI	190PS	6-speed manual	131*	£30,355.00	£31,170.00
2.0 TDI	190PS	multitronic	131*	£31,835.00	£32,650.00
2.0 TDI quattro	190PS	6-speed manual	139*	£31,785.00	£32,600.00
2.0 TDI quattro	190PS	S tronic	145*	£33,265.00	£34,095.00

*CO₂ emissions can change if a different size alloy is ordered onto the vehicle. This may also lead to a change to the VED amount payable. Please refer to pages 68, 69, 86-93 and 100 for more information.

Please note: The maximum power output figures are quoted in PS (or Pferdestärke, which is the metric equivalent of brake horsepower). To convert to brake horsepower, divide the PS figure by 1.0139.

Recommended On-The-Road (OTR) retail prices include: delivery charge, half a tank of fuel, number plates at £630.00 (inc. VAT), Road Fund Licence (which may vary depending on model/transmission – see page 100 for details) and first registration fee at £55.00. Vehicle Excise Duty correct at time of going to print, but this may alter to reflect any change in the applicable VED rate.

RRP – Recommended Retail Price. VAT is calculated at 20% but this may alter to reflect any change in the applicable VAT rate.

A4 Saloon S line Nav

Engines	Power	Transmissions	CO ₂ g/km	Total RRP inc VAT	Recommended OTR
1.8 TFSI	170PS	6-speed manual	134*	£28,510.00	£29,325.00
1.8 TFSI	170PS	multitronic	139*	£29,990.00	£30,805.00
2.0 TDI	150PS	6-speed manual	120*	£30,015.00	£30,700.00
2.0 TDI	150PS	multitronic	127*	£31,495.00	£32,180.00
2.0 TDI ultra	163PS	6-speed manual	109	£30,960.00	£31,645.00
2.0 TDI	190PS	6-speed manual	124*	£30,960.00	£31,645.00
2.0 TDI	190PS	multitronic	126*	£32,440.00	£33,125.00
2.0 TDI quattro	190PS	6-speed manual	135*	£32,390.00	£33,205.00
2.0 TDI quattro	190PS	S tronic	139*	£33,870.00	£34,685.00

A4 Saloon Black Edition Nav

Engines	Power	Transmissions	CO ₂ g/km	Total RRP inc VAT	Recommended OTR
1.8 TFSI	170PS	6-speed manual	142*	£30,010.00	£30,840.00
1.8 TFSI	170PS	multitronic	144*	£31,490.00	£32,320.00
2.0 TFSI quattro	225PS	S tronic	166*	£35,605.00	£36,585.00
2.0 TDI	150PS	6-speed manual	124*	£31,515.00	£32,200.00
2.0 TDI	150PS	multitronic	131*	£32,995.00	£33,810.00
2.0 TDI	190PS	6-speed manual	129*	£32,460.00	£33,145.00
2.0 TDI	190PS	multitronic	131*	£33,940.00	£34,755.00
2.0 TDI quattro	190PS	6-speed manual	140*	£33,890.00	£34,705.00
2.0 TDI quattro	190PS	S tronic	143*	£35,370.00	£36,200.00
3.0 TDI quattro	245PS	S tronic	162*	£39,355.00	£40,220.00

Please note: The maximum power output figures are quoted in PS (or Pferdestärke, which is the metric equivalent of brake horsepower). To convert to brake horsepower, divide the PS figure by 1.0139.

Recommended On-The-Road (OTR) retail prices include: delivery charge, half a tank of fuel, number plates at £630.00 (inc. VAT), Road Fund Licence (which may vary depending on model/transmission – see page 100 for details) and first registration fee at £55.00. Vehicle Excise Duty correct at time of going to print, but this may alter to reflect any change in the applicable VED rate.

RRP – Recommended Retail Price. VAT is calculated at 20% but this may alter to reflect any change in the applicable VAT rate.

A4 Avant S line Nav

Engines	Power	Transmissions	CO ₂ g/km	Total RRP inc VAT	Recommended OTR
1.8 TFSI	170PS	6-speed manual	141*	£29,810.00	£30,640.00
1.8 TFSI	170PS	multitronic	144*	£31,290.00	£32,120.00
2.0 TDI	150PS	6-speed manual	125*	£31,315.00	£32,000.00
2.0 TDI	150PS	multitronic	130*	£32,795.00	£33,480.00
2.0 TDI ultra	163PS	6-speed manual	114	£32,260.00	£32,945.00
2.0 TDI	190PS	6-speed manual	131*	£32,260.00	£33,075.00
2.0 TDI	190PS	multitronic	131*	£33,740.00	£34,555.00
2.0 TDI quattro	190PS	6-speed manual	139*	£33,690.00	£34,505.00
2.0 TDI quattro	190PS	S tronic	145*	£35,170.00	£36,000.00

A4 Avant Black Edition Nav

Engines	Power	Transmissions	CO ₂ g/km	Total RRP inc VAT	Recommended OTR
1.8 TFSI	170PS	6-speed manual	148*	£31,310.00	£32,140.00
1.8 TFSI	170PS	multitronic	149*	£32,790.00	£33,620.00
2.0 TFSI quattro	225PS	S tronic	169*	£36,905.00	£37,885.00
2.0 TDI	150PS	6-speed manual	129*	£32,815.00	£33,500.00
2.0 TDI	150PS	multitronic	135*	£34,295.00	£35,110.00
2.0 TDI	190PS	6-speed manual	136*	£33,760.00	£34,575.00
2.0 TDI	190PS	multitronic	136*	£35,240.00	£36,055.00
2.0 TDI quattro	190PS	6-speed manual	144*	£35,190.00	£36,020.00
2.0 TDI quattro	190PS	S tronic	149*	£36,670.00	£37,500.00
3.0 TDI quattro	245PS	S tronic	170*	£40,655.00	£41,635.00

*CO₂ emissions can change if a different size alloy is ordered onto the vehicle. This may also lead to a change to the VED amount payable. Please refer to pages 68, 69, 86-93 and 100 for more information.

A4 allroad

Engines	Power	Transmissions	CO ₂ g/km	Total RRP inc VAT	Recommended OTR
2.0 TFSI quattro	225PS	S tronic	164*	£33,650.00	£34,515.00
2.0 TDI quattro	190PS	6-speed manual	145*	£31,935.00	£32,765.00
2.0 TDI quattro	190PS	S tronic	149*	£33,415.00	£34,245.00
3.0 TDI quattro	245PS	S tronic	159*	£37,400.00	£38,265.00

A4 allroad Sport Nav

Engines	Power	Transmissions	CO ₂ g/km	Total RRP inc VAT	Recommended OTR
2.0 TFSI quattro	225PS	S tronic	164*	£36,450.00	£37,315.00
2.0 TDI quattro	190PS	6-speed manual	145*	£34,735.00	£35,565.00
2.0 TDI quattro	190PS	S tronic	149*	£36,215.00	£37,045.00
3.0 TDI quattro	245PS	S tronic	159*	£40,200.00	£41,065.00

S4 Saloon Nav

Engines	Power	Transmissions	CO ₂ g/km	Total RRP inc VAT	Recommended OTR
3.0 TFSI quattro	333PS	S tronic	179*	£39,050.00	£40,085.00

S4 Saloon Black Edition Nav

Engines	Power	Transmissions	CO ₂ g/km	Total RRP inc VAT	Recommended OTR
3.0 TFSI quattro	333PS	S tronic	184*	£40,125.00	£41,160.00

S4 Avant Nav

Engines	Power	Transmissions	CO ₂ g/km	Total RRP inc VAT	Recommended OTR
3.0 TFSI quattro	333PS	S tronic	180*	£40,350.00	£41,385.00

S4 Avant Black Edition Nav

Engine	Power	Transmission	CO ₂ g/km	Total RRP inc VAT	Recommended OTR
3.0 TFSI quattro	333PS	S tronic	185*	£41,425.00	£42,460.00

*CO₂ emissions can change if a different size alloy is ordered onto the vehicle. This may also lead to a change to the VED amount payable. Please refer to pages 68, 69, 86-93 and 100 for more information.

Please note: The maximum power output figures are quoted in PS (or Pferdestärke, which is the metric equivalent of brake horsepower). To convert to brake horsepower, divide the PS figure by 1.0139.

Recommended On-The-Road (OTR) retail prices include: delivery charge, half a tank of fuel, number plates at £630.00 (inc. VAT), Road Fund Licence (which may vary depending on model/transmission – see page 100 for details) and first registration fee at £55.00. Vehicle Excise Duty correct at time of going to print, but this may alter to reflect any change in the applicable VED rate.

RRP – Recommended Retail Price. VAT is calculated at 20% but this may alter to reflect any change in the applicable VAT rate.





Audi exclusive

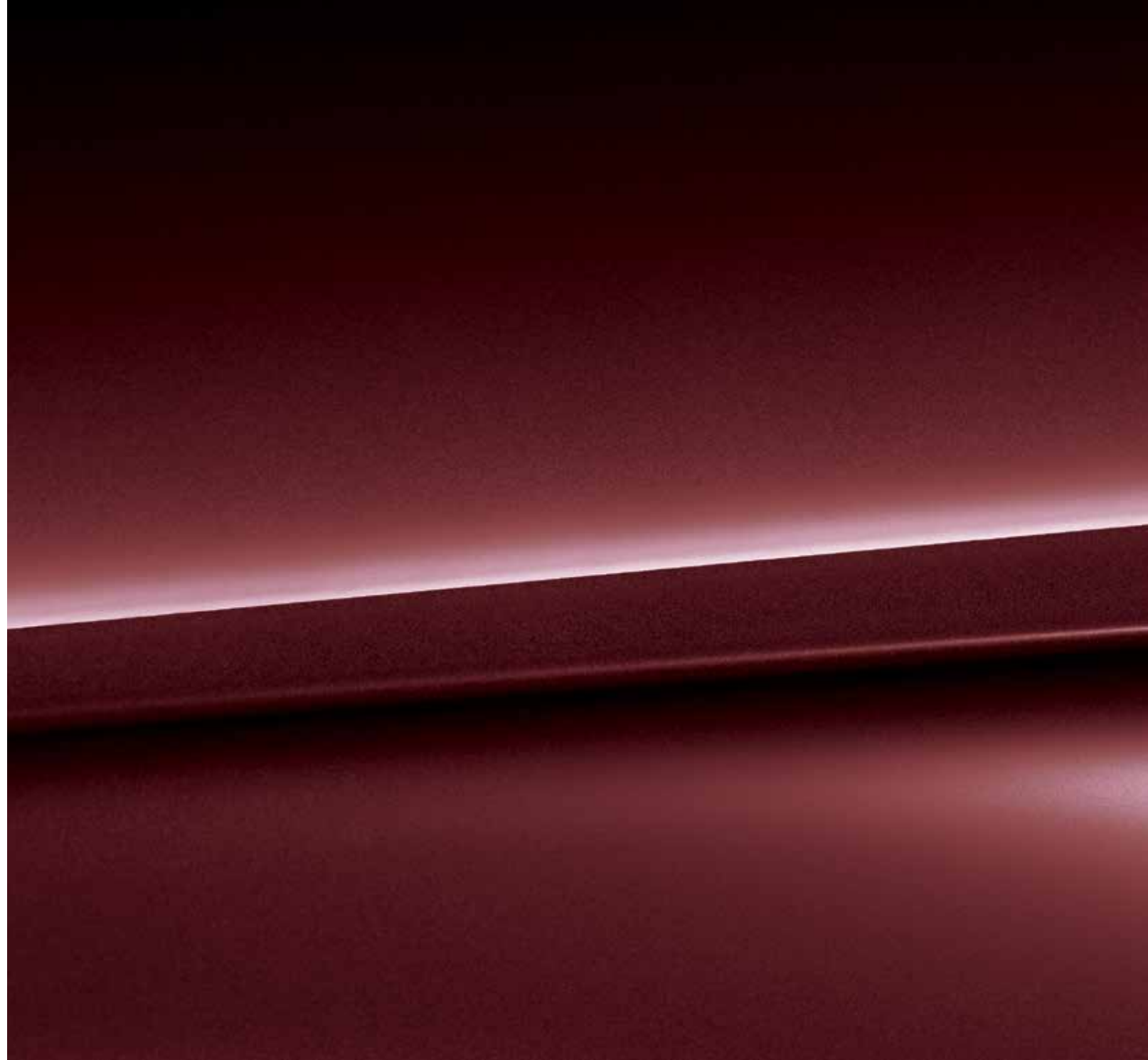
Every Audi is intrinsically exclusive. It's the breathtaking design, the exceptional engineering, the Vorsprung durch Technik. But for that special touch you can specify your Audi A4 with options from Audi exclusive. Whether you want a unique, custom-mixed paint colour or seats in a combination of complementary shades, Audi exclusive will enable you to drive the car you've always imagined.

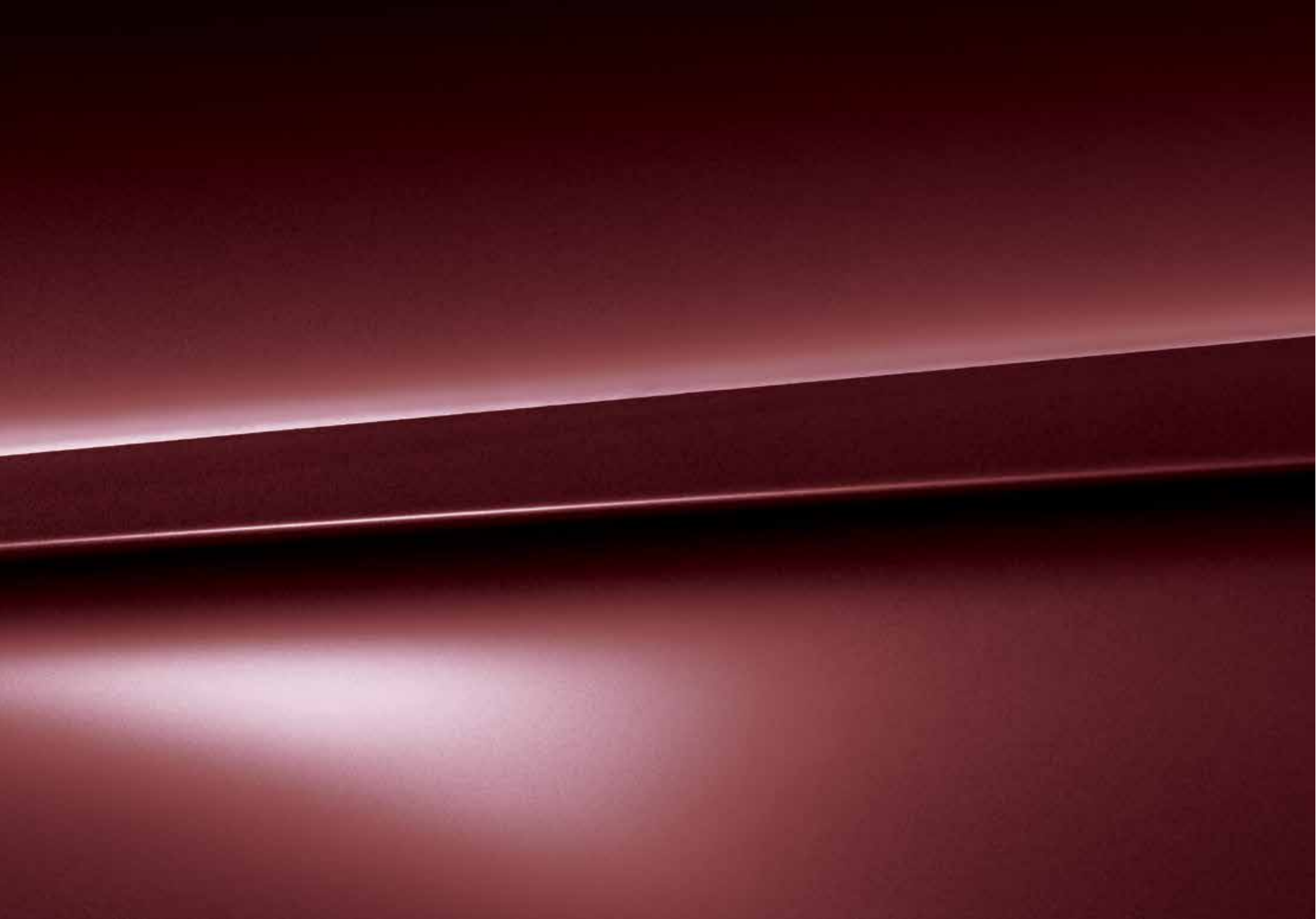
Both the exclusive and standard options can be found on the following pages.



Paint

We believe that every part of your car should have a personal touch. Which is why you can choose from a wide range of paint colours and finishes, from standard shades to metallic and pearl effects. We can even mix a customised colour for you to create the perfect fit.





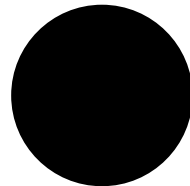
Paint

You can select one of the standard colours shown opposite or, for a different look, choose from a range of optional finishes.

Standard colours

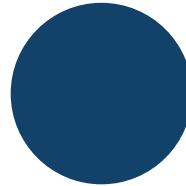


Ibis white – T9

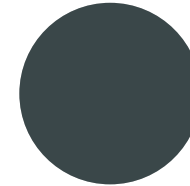


Brilliant black – A2*

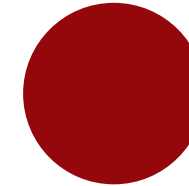
Optional colours



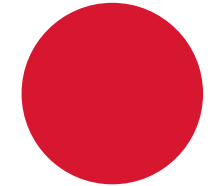
Scuba blue, metallic – S9**



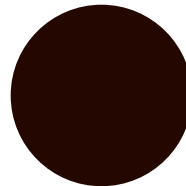
Monsoon grey, metallic – 0C*



Volcano red, metallic – 1G*



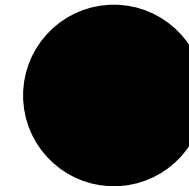
Misano red, pearl effect – N9



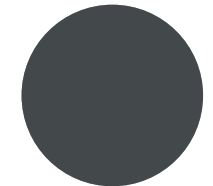
Teak brown, metallic – 4U**



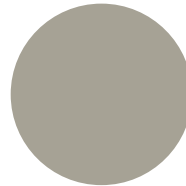
Glacier white, metallic – 2Y*



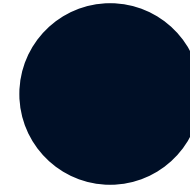
Mythos black, metallic – 0E



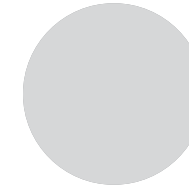
Daytona grey, pearl effect – 6Y



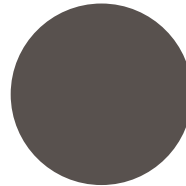
Cuvée silver, metallic – 0D**



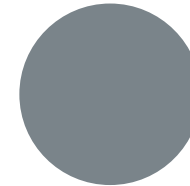
Moonlight blue, metallic – W1*



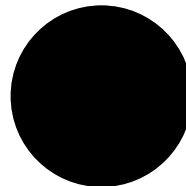
Floret silver, metallic – L5



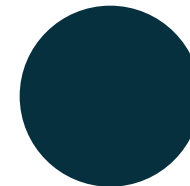
Dakota grey, metallic – Y7**



Tornado grey, metallic – Q2*



Lava grey, pearl effect – 1R**



Utopia blue, metallic – D2*

S line Nav and Black Edition Nav colours

Options are subject to availability and may extend delivery.

*Not available on S4 Nav.

**On SE Technik trim the optional colours have no charge.

*Not available on Black Edition Nav models.

All the colour swatches on this page are matched as accurately as possible to the actual paint colours used. However, due to print processes, Audi UK cannot guarantee that colours shown are 100% accurate.

Visit your local Audi Centre for a more accurate colour swatch.

RRP – Recommended Retail Price.

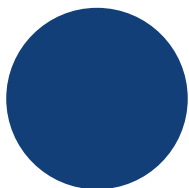
VAT is calculated at 20% but this may alter to reflect any change in the applicable VAT rate.

Optional colours**

Total RRP inc VAT

£645.00

Black Edition Nav and S4 Nav colour

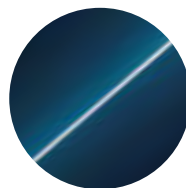


Sepang blue, pearl effect – E9

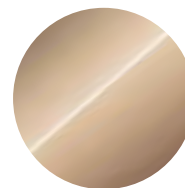
Paint

Audi exclusive

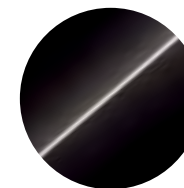
Everyone has a favourite colour. No matter what yours is, Audi exclusive provides a range of unique colours that have been designed to set your car apart. Choose from the swatches here, or specify any other paint colour in the Audi range.*



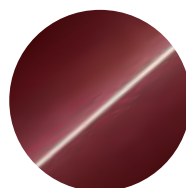
Palace blue, pearl effect



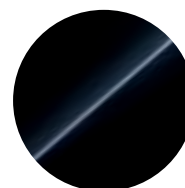
Sand beige, pearl effect



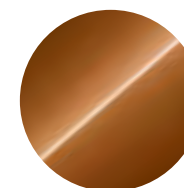
Saddle brown, pearl effect



Classic red, pearl effect



Mamba black, metallic



Ipanema brown, metallic

Customised paint

If you have a particular colour in mind, we'll mix the exact metallic or pearl-effect shade you want.**



Any colour in the Audi range or 100 exclusive colours to choose from*

Audi exclusive*

Total RRP inc VAT
£2,115.00

*Audi exclusive paint is subject to factory approval. Visit your local Audi Centre for colour samples.

**Customised paint is subject to factory approval, and is available for metallic and pearl-effect water-based paints only. Three-colour process colours and two-tone schemes are not available.

All the colour swatches on this page are matched as accurately as possible to the actual paint colours used. However, due to print processes, Audi UK cannot guarantee that colours shown are 100% accurate.

Visit your local Audi Centre for a more accurate colour swatch.

RRP – Recommended Retail Price.

VAT is calculated at 20% but this may alter to reflect any change in the applicable VAT rate.



Customised paint**

Customised**

Total RRP inc VAT
£2,615.00

Upholstery

It's important to feel comfortable on the road. Just choose from our range of luxury upholstery materials and textures, including additional support and colour options, for complete relaxation while you drive.

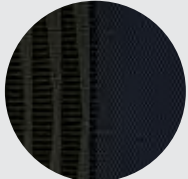
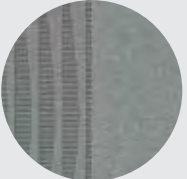
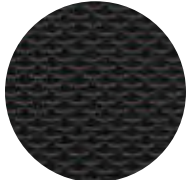
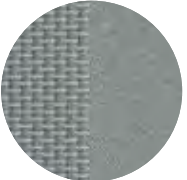
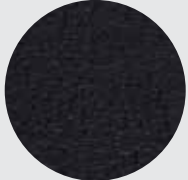









Upholstery

A4 Standard seats

All leather upholstery choices include seats, head restraints, door inserts and front centre armrest in leather. Fine Nappa leather also includes front and rear door armrests in leather (7HB).

	SE	SE Technik	S line Nav	Black Edition Nav	A4 allroad	A4 allroad Sport Nav	S4 Nav	S4 Black Edition Nav	Total RRP inc VAT
Cosinus cloth  Black - FZ  Titanium grey - IE	S	-	-	-	-	-	-	-	No charge
Tundra cloth  Black - FZ  Titanium grey - IK	-	-	-	-	S	-	-	-	No charge
Milano leather  Black - FZ  Titanium grey - IK/IE*  Velvet beige - ID*/IF	•	S	-	-	•	-	-	-	£1,265.00
Fine Nappa leather  Black - FZ  Titanium grey - IK/IE*  Chestnut brown - IH*/VR**	•	-	-	-	•	-	-	-	£1,680.00
	-	•	-	-	-	-	-	-	£415.00

Options are subject to availability and may extend delivery.

- = Not available
 • = Available
 S = Standard

*Not available on A4 allroad.

**Not available on A4 Saloon and Avant.

RRP - Recommended Retail Price.

VAT is calculated at 20% but this may alter to reflect any change in the applicable VAT rate.

Upholstery

A4 Sports seats

Leather/Alcantara upholstery choices include head restraints, seat side bolsters and front centre armrest in leather with the seat centres and door inserts in Alcantara. All leather upholstery choices include seats, head restraints, door inserts and front centre armrest in leather. Fine Nappa leather also includes front and rear door armrests in leather (7HB).

Options are subject to availability and may extend delivery.

- = Not available
• = Available
S = Standard

*Not available on A4 allroad.

**Not available on A4 Saloon and Avant.

RRP - Recommended Retail Price.

VAT is calculated at 20% but this may alter to reflect any change in the applicable VAT rate.





																			SE	SE Technik	S line Nav	Black Edition Nav	A4 allroad	A4 allroad Sport Nav	S4 Nav	S4 Black Edition Nav	Total RRP inc VAT
Atrium cloth																			•	•	-	-	-	-	-	-	£410.00
	Black - FZ	Titanium grey - IE																									
Tundra cloth																				-	-	-	-	•	-	-	£410.00
	Black - FZ	Titanium grey - IK																									
Leather/Alcantara																				•	-	-	-	•	S	-	£1,345.00
	Black - FZ	Titanium grey - IK/IE*																			•	-	-	-	-	-	£410.00
Milano leather																				•	-	-	-	•	-	-	£1,675.00
	Black - FZ	Titanium grey - IK/IE*	Velvet beige - ID*/IF																		-	•	-	-	-	-	£410.00
Fine Nappa leather																				•	-	-	-	•	-	-	£2,090.00
	Black - FZ	Titanium grey - IK/IE*	Velvet beige - ID*/IF	Chestnut brown - IH*/VR**																	-	•	-	-	-	-	£825.00

Upholstery

A4 S line seats

Sprint cloth/leather and leather/Alcantara upholstery choices include head restraints, seat bolsters and front centre armrest in leather with the seat centres and door inserts in cloth or Alcantara respectively.

Fine Nappa leather upholstery includes seat head restraints, door inserts, front and rear door armrests and front centre armrest in leather. All S line upholstery choices have S line embossing in the backrest.

		SE	SE Technik	S line Nav	Black Edition Nav	A4 allroad	A4 allroad Sport Nav	S4 Nav	S4 Black Edition Nav	Total RRP inc VAT
Sprint cloth/leather	 Black with grey stitching - QZ	-	-	S	S	-	-	-	-	No charge
	 Black with grey stitching - QZ	-	-	•	•	-	-	-	-	£485.00
Fine Nappa leather*	 Black with black stitching - QE	-	-	•	•	-	-	-	-	£1,250.00
	 Rotor grey - SL**									

Options are subject to availability and may extend delivery.

- = Not available
• = Available
S = Standard

*Includes front and rear door armrests in Fine Nappa leather (7HB).

**Only available in combination with Electrically-adjustable front seats (PV1) or Convenience Package (PV3).

RRP - Recommended Retail Price.

VAT is calculated at 20% but this may alter to reflect any change in the applicable VAT rate.

Upholstery

A4 Climate Comfort seats (PS8)

Includes seat side bolsters, head restraints, door inserts and front centre armrest in leather with seat centre in perforated leather. Actively ventilated and heated. Electrically adjustable with memory function on driver's side and lumbar support. Also includes folding and auto-dimming door mirrors with memory function. Not available on Saloon TDIe 136PS or Saloon TDI ultra models.

Climate Comfort seats contain all parts of the Convenience Package listed on page 54.

Options are subject to availability and may extend delivery.

- = Not available
 • = Available
 S = Standard




*Not available on A4 allroad.

**Not available on A4 Saloon and Avant.

RRP - Recommended Retail Price.

VAT is calculated at 20% but this may alter to reflect any change in the applicable VAT rate.

Milano leather



	SE	SE Technik	S line Nav	Black Edition Nav	A4 allroad	A4 allroad Sport Nav	S4 Nav	S4 Black Edition Nav	Total RRP inc VAT
	•	-	-	-	•	•	-	-	£3,140.00
	-	•	-	-	-	-	-	-	£1,875.00
	-	-	-	-	-	-	-	-	
	-	-	-	-	-	-	-	-	



Upholstery




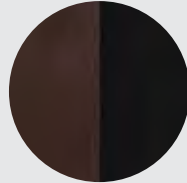
S4 Sports seats

Leather/Alcantara upholstery choices include head restraints, seat side bolsters and front centre armrest in leather with the seat centres and door inserts in Alcantara.

		SE	SE Technik	S line Nav	Black Edition Nav	A4 allroad	A4 allroad Sport Nav	S4 Nav	S4 Black Edition Nav	Total RRP inc VAT
Leather/Alcantara		I	I	I	I	I	I	S	S	No charge
										

S4 Super Sports seats*

Two-tone leather upholstery with contrast stitching. Includes seats, head restraints, door inserts, front and rear door armrests, and front centre armrest in leather.

		SE	SE Technik	S line Nav	Black Edition Nav	A4 allroad	A4 allroad Sport Nav	S4 Nav	S4 Black Edition Nav	Total RRP inc VAT
Fine Nappa leather		I	I	I	I	I	I			£1,400.00
										
										
										

Options are subject to availability and may extend delivery.

- = Not available
- = Available
- S = Standard

*Must be combined with through-load facility (3X2).

RRP - Recommended Retail Price.

VAT is calculated at 20% but this may alter to reflect any change in the applicable VAT rate.



Seats

Choose from a variety of different seat options so you can maintain the correct driving posture at all times.

Order Code	SE	SE Technik	S line Nav	Black Edition Nav	A4 allroad	A4 allroad Sport Nav	S4 Nav	S4 Black Edition Nav	Total RRP inc VAT
4A3	•	•	•	•	•	•	•	•	£300.00
	Heated front seats. Heats the seat cushions and backrest surfaces and can be adjusted in 3 stages for each individual seat via a direct selection button on the air conditioning controls. In combination with Sports seats and leather upholstery, the seat side bolsters are also heated								
4A4	•	•	•	•	•	•	•	•	£460.00
	Heated front and rear seats. Individually controlled variable temperature adjustment. Not available with cloth seats								
7P1	•	•	S	S	•	S	S	S	£235.00
	Electric lumbar support. For front seats with 4-way horizontal and vertical adjustment. Included with Sports seats								
PV1	•	•	-	-	•	-	-	-	£765.00
	Electrically-adjustable front seats. Includes adjustment for height, forwards and backwards position, backrest angle and lumbar support. Not available on TDI ultra models								
	-	-	•	•	-	•	S	S	£530.00
	In combination with Sports seats								
PV3	•	•	-	-	•	-	-	-	£1,430.00
	Convenience package. Comprises electric front seats with memory function on driver's side, electric lumbar support for both front seats, and folding and auto-dimming door mirrors with memory function. Two different positions can be stored, adapting seat longitudinal position, seat height, seat inclinations and backrest angle as well as the exterior mirror settings.								
6XL	-	-	•	•	-	•	-	-	£1,195.00
	The positions are assigned to the corresponding car key, and the system automatically adopts the relevant settings when the car is unlocked via the remote control. Mirrors also include kerb view function which lowers the passenger side mirror for increased visibility whilst reversing. Not available on TDI ultra models								
	-	-	-	-	-	-	•	•	£665.00



Options are subject to availability and may extend delivery.

- = Not available
• = Available
S = Standard

RRP – Recommended Retail Price.

VAT is calculated at 20% but this may alter to reflect any change in the applicable VAT rate.



Colour and trim guide

Interior trim colours

Standard seats

To help you choose the right interior for your new Audi A4, please use this guide, showing the carpet, dashboard and headlining colours that have been matched to your chosen upholstery.

Sports seats – PS1

S line Sports seats

Climate controlled comfort seats – PS8

Options are subject to availability and may extend delivery.

– = Not available
● = Available
S = Standard

A4 Saloon and Avant colour and trim guide

Order Code	Upholstery	Carpet	Dashboard	Headlining	Cosinus cloth (N2M)	Milano leather (N5W)	Fine Nappa leather (N3Q)
FZ	Black	Black	Black	Lunar silver	●	●	●
IE	Titanium grey	Grey	Grey	Lunar silver	●	●	●
IK	Titanium grey	Black	Black	Lunar silver	–	●	●
ID	Velvet beige	Black	Black	Pashmina beige	–	●	–
IF	Velvet beige	Moor brown	Moor brown	Pashmina beige	–	●	–
IH	Chestnut brown	Black	Black	Black	–	–	●

Order Code	Upholstery	Carpet	Dashboard	Headlining	Atrium cloth (N2E)	Leather/Alcantara (N7U)	Milano leather (N5W)	Fine Nappa leather (N3Q)
FZ	Black	Black	Black	Lunar silver	●	●	●	●
IE	Titanium grey	Grey	Grey	Lunar silver	●	●	●	●
IK	Titanium grey	Black	Black	Lunar silver	–	●	●	●
ID	Velvet beige	Black	Black	Pashmina beige	–	–	●	●
IF	Velvet beige	Moor brown	Moor brown	Pashmina beige	–	–	●	●
IH	Chestnut brown	Black	Black	Black	–	–	●	●

Order Code	Upholstery	Carpet	Dashboard	Headlining	Sprint cloth/leather (N7V)	Leather/Alcantara (N7K)	Fine Nappa leather (N2R)
QZ	Black with Jet grey stitching	Black	Black	Black	●	●	–
QE	Black with Black stitching	Black	Black	Black	–	–	●
SL	Rotor grey	Black	Black	Black	–	–	●

Order Code	Upholstery	Carpet	Dashboard	Headlining	Perforated Milano Leather (N5W)
FZ	Black	Black	Black	Lunar silver	●
IE	Titanium grey	Grey	Grey	Lunar silver	●
IK	Titanium grey	Black	Black	Lunar silver	●
ID	Velvet beige	Black	Black	Pashmina beige	●
IF	Velvet beige	Moor brown	Moor brown	Pashmina beige	●
IH	Chestnut brown	Black	Black	Black	●

Colour and trim guide

Interior trim colours

Standard seats

A4 allroad colour and trim guide

Order Code	Upholstery	Carpet	Dashboard	Headlining	Tundra cloth (N2W)	Milano leather (N5W)	Fine Nappa leather (N3Q)
FZ	Black	Black	Black	Lunar silver	●	●	●
IK	Titanium grey	Black	Black	Lunar silver	●	●	●
IF	Velvet beige	Moor brown	Moor brown	Pashmina beige	—	●	—
VR	Chestnut brown	Black	Black	Black	—	—	●

Sports seats – PS1

Order Code	Upholstery	Carpet	Dashboard	Headlining	Tundra cloth (N2W)	Leather/Alcantara (N7U)	Milano leather (N5W)	Fine Nappa leather (N3Q)
FZ	Black	Black	Black	Lunar silver	●	●	●	●
IK	Titanium grey	Black	Black	Lunar silver	●	●	●	●
ID	Velvet beige	Black	Black	Pashmina beige	—	—	—	●
IF	Velvet beige	Moor brown	Moor brown	Pashmina beige	—	—	●	●
VR	Chestnut brown	Black	Black	Black	—	—	—	●

Climate controlled comfort seats – PS8

Order Code	Upholstery	Carpet	Dashboard	Headlining	Perforated Milano leather (N5W)
FZ	Black	Black	Black	Lunar silver	●
IK	Titanium grey	Black	Black	Lunar silver	●
IF	Velvet beige	Moor brown	Moor brown	Pashmina beige	●
VR	Chestnut brown	Black	Black	Black	●

Options are subject to availability and may extend delivery.

- = Not available
- = Available
- S = Standard

Colour and trim guide

Interior trim colours

S4 Sports seats

S4 Super Sports seats – PS6

S4 Saloon and Avant colour and trim guide

Order Code	Upholstery	Carpet	Dashboard	Headlining	Leather/ Alcantara (N7N)
ZM/SX	Black	Black	Black	Black or Silver	●
SU/SY	Lunar silver/Black	Black	Black	Black or Silver	●

Order Code	Upholstery	Carpet	Dashboard	Headlining	Fine Nappa leather with contrast stitching (N3M)
ZM/SX	Black/Black	Black	Black	Black or Silver	●
SU/SY	Lunar silver/Black	Black	Black	Black or Silver	●
FA/SZ	Magma red/Black	Black	Black	Black or Silver	●
SV/WY	Chestnut brown/Black	Black	Black	Black or Silver	●

Options are subject to availability and may extend delivery.

- = Not available
- = Available
- S = Standard

Colour and trim guide

Solid paint

Metallic paint

Pearl effect paint

Options are subject to availability and may extend delivery.

- = Not available
- = Available
- S = Standard

A4 allroad exterior colours and bumper guide

Order Code	Exterior Colour	Black matt coloured bumper	Platinum grey matt coloured bumper
T9	Ibis white	•	-
A2	Brilliant black	-	•

Order Code	Exterior Colour	Black matt coloured bumper	Platinum grey matt coloured bumper
0D	Cuvée silver	-	•
Y7	Dakota grey	•	-
L5	Floret silver	•	-
2Y	Glacier white	•	-
0C	Monsoon grey	•	-
W1	Moonlight blue	-	•
0E	Mythos black	-	•
S9	Scuba blue	•	-
4U	Teak brown	-	•
Q2	Tornado grey	•	-
D2	Utopia blue	•	-
1G	Volcano red	•	-

Order Code	Exterior Colour	Black matt coloured bumper	Platinum grey matt coloured bumper
1R	Lava grey	-	•

Upholstery

Audi exclusive

With Audi exclusive, you can specify your seats in Valcona leather or Valcona leather/Alcantara, from an array of different colours shown to the right.

Select just one all-over shade for each seat, or customise each panel in two or more complementary colours from the distinctive Audi exclusive palette. You can even choose the colour of the decorative stitching – to match or contrast with your chosen upholstery – from this varied collection. Whatever combination you decide upon, we are sure you'll be extremely satisfied with the result.

Options are subject to availability and may extend delivery.

– = Not available
• = Available
S = Standard

*Leather and stitching (where applicable) can be specified in a variety of colours from the Audi exclusive range.

*Not available on S4 Black Edition Nav.

RRP – Recommended Retail Price.

VAT is calculated at 20% but this may alter to reflect any change in the applicable VAT rate.

Order Code		SE	SE Technik	S line Nav	Black Edition Nav	A4 all road	A4 all road Sport Nav	S4 Nav	S4 Black Edition Nav	Total RRP inc VAT
PYB S3G	Audi exclusive leather package 1 in Valcona leather. Seat upholstery, door trim inserts, door armrests and front centre armrest in leather. Backrest covers and seat add-on parts come in the interior trim colour**	•	•	•	•	•	•	•	•	£3,830.00
PYC S3G	Audi exclusive leather package 1 in Valcona leather/Alcantara. Includes leather-covered seat-side trims, head restraints, front centre armrest and Alcantara door trim inserts and seat-centre sections. Backrest covers and seat add-on parts come in the interior trim colour.* Only in combination with Sports seats†	•	•	•	•	•	•	•	•	£3,830.00
PYE S3G	Audi exclusive leather package 2 in Valcona leather. Includes all the contents of leather package 1 (PYB/S3G) plus leather-covered seat backrest covers. Seat-side trims and add-on parts are colour-coordinated. Only in combination with electrically-adjustable front seats (PV1).** Not available on TDI ultra models	•	•	•	•	•	•	•	•	£4,340.00



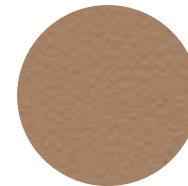
Chestnut brown



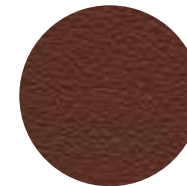
Jet grey



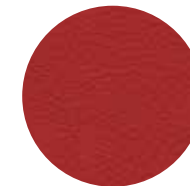
Alabaster white



Sand beige



Saddle brown



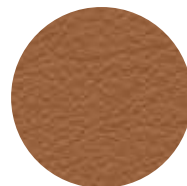
Crimson red



Magnolia white



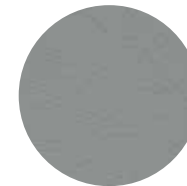
Havana brown



Cognac brown



Night blue



Cloudy grey



Smoky blue



Iceland green



Powder beige



Classic red



Calendula yellow

Also available:

Alcantara colours: available in all the Audi exclusive colours shown, except for Crimson red, Jet grey and Sand beige. Alcantara equivalents are Chilli red, Amethyst grey and Sesame beige, respectively.

Please consult your Audi Centre for examples of Alcantara and carpet colours.

Upholstery

Audi exclusive line

Audi exclusive is ultimately about choice – but if you'd rather leave some of the decisions in the capable hands of our designers, the expert team at quattro GmbH have compiled the Audi exclusive line, combining some of the most popular elements of the exclusive range in one, beautifully coordinated package.

Options are subject to availability and may extend delivery.

– = Not available
• = Available
S = Standard

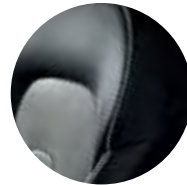
*When ordered in combination with S line Nav, Audi exclusive sill trims are replaced with S line sill trims.

**On Black Edition Nav models the standard flat-bottom steering wheel is replaced by the 3-spoke Sports multi-function steering wheel.

RRP – Recommended Retail Price.

VAT is calculated at 20% but this may alter to reflect any change in the applicable VAT rate.

Order Code		SE	SE Technik	S line Nav	Black Edition Nav	A4 allroad	A4 allroad Sport Nav	S4 Nav	S4 Black Edition Nav	Total RRP inc VAT
WQK	Audi exclusive line (not available on TDI ultra engines)	•	–	–	–	–	–	–	–	£4,015.00
PQL	Audi exclusive line	–	–	•	•	–	–	–	–	£2,500.00



Cloudy grey – UH



Cognac brown – QX



Alabaster white – UA

This package includes

- ▶ Sports seats in two-tone Fine Nappa leather upholstery. Seat-centre sections in Cloudy grey, Cognac brown or Alabaster white. Seat-side sections and head restraints in black with decorative stitching to match seat centres
- ▶ Door panels in Fine Nappa leather to match seat centres
- ▶ Black dashboard and carpets
- ▶ Black cloth headlining
- ▶ Audi exclusive sill trims*
- ▶ Matt-brushed aluminium inlays
- ▶ Black front and rear floor mats with leather piping to match seat centres
- ▶ 3-spoke Sports multi-function steering wheel in black leather and gear lever gaiter with stitching to match seat centres**

Inlays

Attention to detail can make a big impact. From contemporary black Piano finish to a brown walnut, our selection of inlays make the perfect finishing touch to your car's interior.

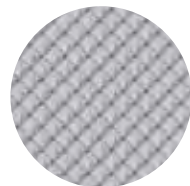




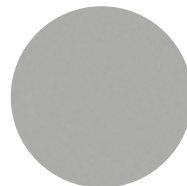
Inlays

Inlays are the all-important finishing touch that add flair and interest to your car's interior.

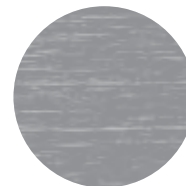
Order Code		SE	SE Technik	S line Nav	Black Edition Nav	A4 allroad	A4 allroad Sport Nav	S4 Nav	S4 Black Edition Nav	Total RRP inc VAT
5MU	Aluminium trigon (with aluminium optics for centre console and electromechanical parking brake)	S	S	-	-	●	S	-	-	£155.00
5MA	Micrometallic silver	-	-	-	-	S	-	-	-	No charge
5TG	Matt-brushed aluminium	-	-	S	-	-	-	S	-	No charge
5TL	Piano finish, black	-	-	●	S	-	-	-	S	No charge
5MT	Oakwood beaufort	●	●	-	-	-	-	-	-	£330.00
5MG	Walnut, brown (with aluminium optics for centre console and electromechanical parking brake)	●	●	-	-	●	●	-	-	£155.00
7TL	Fine grain ash, natural	●	●	-	-	-	-	-	-	£175.00
		-	-	-	-	●	●	-	-	£330.00
5TZ	Fine grain birch wood, grey*	-	-	●	-	-	-	-	-	£330.00
5TB	Aluminium beaufort	-	-	●	●	-	-	●	●	£950.00
5MK	Carbon atlas	-	-	-	-	-	-	●	-	£255.00
5MZ	Stainless steel mesh (centre console comes in Piano finish, black)	-	-	-	-	-	-	●	-	£365.00



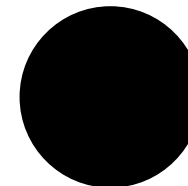
Aluminium trigon – 5MU



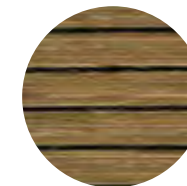
Micrometallic silver – 5MA



Matt-brushed aluminium – 5TG



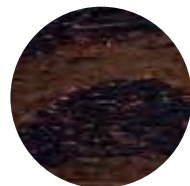
Piano finish, black – 5TL



Oakwood beaufort – 5MT



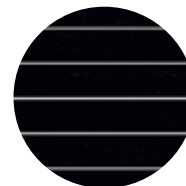
Walnut, brown – 5MG



Fine grain ash, natural – 7TL



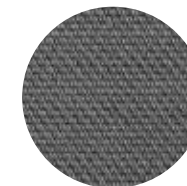
Fine grain birch wood, grey – 5TZ*



Aluminium beaufort – 5TB



Carbon atlas – 5MK



Stainless steel mesh – 5MZ

Options are subject to availability and may extend delivery.

- = Not available
● = Available
S = Standard

*Not available on TDI ultra models.

RRP – Recommended Retail Price.

VAT is calculated at 20% but this may alter to reflect any change in the applicable VAT rate.

Inlays

Audi exclusive

Audi exclusive has sourced a wide range of materials from which you can select for your inlays, from Sepia oak to Fine grain myrtle.

Order Code		SE	SE Technik	S line Nav	Black Edition Nav	A4 allroad	A4 allroad Sport Nav	S4 Nav	S4 Black Edition Nav	Total RRP inc VAT
YTA 53G	Audi exclusive inlays. Cannot be combined with inlays shown on page 64	•	•	•	-	•	•	•	-	£810.00



Fine grain ash, nougat



Fine grain myrtle, nutmeg



Oak, sepia

Options are subject to availability and may extend delivery.

- = Not available
- = Available
- S = Standard

RRP - Recommended Retail Price.

VAT is calculated at 20% but this may alter to reflect any change in the applicable VAT rate.

Options

Every driver has different needs, which is why we have created some useful options to further enhance your car. For extra comfort, support, style or function, you can choose from a variety of additional features, tailoring everything from your infotainment and audio equipment to your wheels and lighting.





Wheels, tyres and suspension

Choose a set of specially-selected alloy wheels to subtly enhance the way your car looks and drives. And you can also specify Audi drive select, which allows you to change suspension and steering settings according to your driving style.



18" x 8J '10-spoke Dynamic'
design alloy wheels - PRQ



18" x 8J '5-arm Avus'
design alloy wheels - PRL



18" x 8J '10-spoke' Exclusive
design alloy wheels - PQ5



19" x 8.5J '5-segment-spoke'
design alloy wheels - PQ6

Please note: that choosing an optional wheel may affect the fuel consumption figures and the CO₂ emissions on your A4. This may result in a change in the subsequent Vehicle Excise Duty payable. Please see pages 86-93 and 100 for more details.

Wheels, tyres and suspension

Options are subject to availability and may extend delivery.

- = Not available
• = Available
S = Standard

Please note: that choosing an optional wheel may affect the fuel consumption figures and the CO₂ emissions on your A4. This may result in a change in the subsequent Vehicle Excise Duty payable. Please see pages 86-93 and 100 for more details.

*Not available on TDI ultra models.

RRP – Recommended Retail Price.

VAT is calculated at 20% but this may alter to reflect any change in the applicable VAT rate.

Order Code	SE	SE Technik	S line Nav	Black Edition Nav	A4 all road	A4 all road Sport Nav	S4 Nav	S4 Black Edition Nav	Total RRP inc VAT
PRB 17" x 7.5J '5-spoke' design alloy wheels with 225/50 R17 tyres. Standard on TDI ultra models, please see page 20 for image	S	•	-	-	-	-	-	-	No charge
PRQ 18" x 8J '10-spoke' Dynamic design alloy wheels with 245/40 R18 Y tyres*	-	•	-	-	-	-	-	-	£620.00
PRL 18" x 8J '5-arm Avus' design alloy wheels with 245/45 R18 Y tyres	-	-	-	-	•	-	-	-	£160.00
PQ5 18" x 8J '10-spoke' Exclusive design alloy wheels with 245/40 R18 Y tyres*	-	S	•	-	-	-	-	-	No charge
PQ6 19" x 8.5J '5-segment-spoke' design alloy wheels with 255/35 R19 Y tyres*	-	-	-	•	-	-	-	•	No charge
	-	-	•	-	-	-	-	-	£600.00
	-	-	-	-	-	-	•	-	£1,150.00
1BE Sports suspension. With stiffer springs and stiffer shock absorbers. Standard on TDI ultra models	S	•	S	S	-	-	-	-	£315.00
1BV S line Sports suspension. Lowered by 30mm with more firmly tuned springs and dampers for more direct contact with the road	-	-	•	•	-	-	-	-	No charge
2H1 Audi drive select. Changes your car's handling and responses at the touch of a button to suit the way you want to drive. Enables the driver to alter the throttle response, the shift point of the automatic transmission and the power steering feel between the four pre-set modes (comfort, dynamic, auto and efficiency). Efficiency mode also adjusts the climate control and the cruise control for consumption improvement. In combination with MMI Navigation systems, individual mode is also available, allowing even more fine tuning	•	•	•	•	•	S	•	•	£220.00
1N8 Dynamic steering. Improves comfort and handling by dynamically regulating steering according to the driving situation. With this technology, driving is significantly more agile under everyday conditions, while directional stability and precision are increased at high speeds and in demanding driving situations. Only available in combination with Audi drive select (2H1)	-	•	•	•	•	•	•	•	£375.00
1BL Damper control. Formed on the basis of lowered Sports suspension, the optional damper control system fine-tunes suspension settings according to road conditions and driver needs. Only available in combination with Audi drive select (2H1). Not available on TDI ultra models or in combination with S line Sports suspension (1BV)	-	•	-	-	-	-	-	-	£680.00
	-	-	•	•	-	-	•	•	£300.00
GH2 Audi quattro with Sports differential. The electronically regulated Sports differential distributes variable amounts of driving force to each rear wheel, ensuring outstanding acceleration performance in corners and stabilising the vehicle's response to load change. It also ensures better direct steering characteristics and, thanks to less steering effort, more agile handling. Only available on 3.0 TDI quattro 245PS and S4 quattro and in combination with Audi drive select (2H1)	-	-	•	•	-	-	•	•	£620.00

Technology Package

Some items work well together, which is why we've created a special option package. It provides increased convenience and value by combining several of our most popular options.

Order Code	SE	SE Technik	S line Nav	Black Edition Nav	A4 allroad	A4 allroad Sport Nav	S4 Nav	S4 Black Edition Nav	Total RRP inc VAT
PCB UF7 Technology package – Advanced Audi Music Interface. Connection for use with stereo audio sources, USB and MP3 devices including Apple iPod generation 4 onwards and Apple iPhone Audi parking system plus. Acoustic and visual park assist system for the front and rear (standard on S4 Saloon Black Edition Nav models) Adaptive cruise control with braking guard. Intelligent automatic speed and distance control system. Works at speeds from 20-100mph*, using radar sensors to measure and maintain required distance to vehicle ahead by braking and accelerating. Four programs (distance 1 to distance 4) set via steering column controls of the cruise control system. Includes Audi braking guard – a system which triggers a visual and acoustic alarm when it detects the risk of a rear end collision with the vehicle in front. At speeds below 20mph the system can initiate partial braking or full deceleration if a potential impact is detected to help prevent a collision, or if it is not possible to completely prevent a collision, the system will focus on reducing the speed at which the vehicles collide Audi active lane assist. Helps the driver to stay in lane with gentle steering impulses for greater safety and convenience, particularly on motorways and country roads. The system informs the driver if the car is drifting out of its lane unintentionally above approximately 37mph	●	–	●	–	●	●	●	–	£950.00
	–	●	–	●	–	–	–	●	£625.00

Options are subject to availability and may extend delivery.

- = Not available
- = Available
- S = Standard

*Where the law permits.

RRP – Recommended Retail Price.

VAT is calculated at 20% but this may alter to reflect any change in the applicable VAT rate.

Technology package



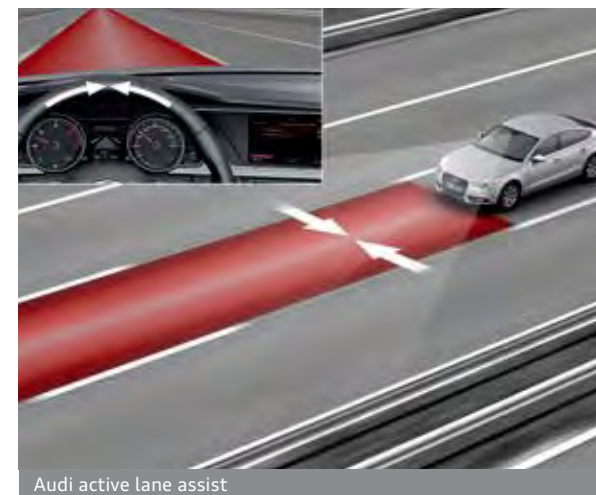
Audi Music Interface (AMI)



Audi parking system plus



Adaptive cruise control



Audi active lane assist

Audio and communication

Stay in touch using our range of communication functions, and give each journey its own soundtrack with our advanced audio equipment.

Options are subject to availability and may extend delivery.

- = Not available
- = Available
- S = Standard

RRP – Recommended Retail Price.

VAT is calculated at 20% but this may alter to reflect any change in the applicable VAT rate.

Order Code	SE	SE Technik	S line Nav	Black Edition Nav	A4 allroad	A4 allroad Sport Nav	S4 Nav	S4 Black Edition Nav	Total RRP inc VAT
PNQ MMI Navigation system plus. Hard disk navigation with topographical map display, places of interest and town models in 3D, with high-resolution 7" colour TFT display. The system offers three alternative routes, with the ability to scroll along the selected route and manoeuvre within the map. Uses 7-digit postcode recognition. Includes split-screen mode for route information, dynamic route guidance (TMC), intersection zoom function, motorway exits and lane recommendations in Driver's Information System (DIS). Includes 2 SD card readers, single CD/DVD player, 40GB hard drive and Jukebox (20GB) for storing and managing music files in WMA and MP3 format. Includes European navigation data (where digitised). Additional functionality is available when combined with optional Mobile telephone preparation – High with Audi Connect (9ZW). For more details please see option 9ZW, featured in the options section of the guide	•	S	S	S	•	S	S	S	£1,500.00
BUM Symphony radio. With front-loading 6-CD changer which is MP3, WMA and AAC compatible. Cannot be combined with Technology package advanced (PCB) or MMI Navigation system plus (PNQ)	•	-	-	-	•	-	-	-	£280.00
9VK Bang & Olufsen sound system. Designed specifically for the Audi A4, features 14 high-performance speakers and two amplifiers which create 505 Watts of stunning surround sound, balanced to suit the specific acoustic properties of the car's interior. The system constantly and automatically adapts the sound characteristics to the vehicle's speed and background noise providing the highest level of quality. The digital signal-processing amplifier takes output from standard stereo sources such as CD players, iPods or DAB radios and, when combined with a Technology package, creates exceptional 5.1 surround sound	•	•	•	S	•	•	•	S	£535.00



Symphony radio with 6-CD changer



MMI Navigation system plus



Bang & Olufsen sound system

Audio and communication

Order Code	SE	SE Technik	S line Nav	Black Edition Nav	A4 allroad	A4 allroad Sport Nav	S4 Nav	S4 Black Edition Nav	Total RRP inc VAT
PT5	•	•	•	•	•	•	–	–	£175.00
9ZW	•	•	•	•	•	•	•	•	£350.00
UF7	•	S	•	S	•	•	•	S	£255.00
7D1	•	•	•	•	•	•	•	•	£305.00
9WM	•	•	•	•	•	•	•	•	£1,050.00
QU6	•	•	•	•	•	•	•	•	£825.00

Options are subject to availability and may extend delivery.

– = Not available
• = Available
S = Standard

¹Online services are only available for mobile phone contracts or SIM cards which include a data option and only within the coverage of the mobile phone network; there may be additional costs for the use of these services (charges and billing correspond to the personal mobile phone contract or SIM card contract). Due to high data volumes, a mobile phone contract including an unlimited or high usage data plan is strongly recommended. The content and scope of the online based services offered may vary.

²To check the compatibility of your mobile phone and whether it has SIM Access Profile compatibility, please visit www.audi.co.uk/phonecompatibility

RRP – Recommended Retail Price.

VAT is calculated at 20% but this may alter to reflect any change in the applicable VAT rate.

Interior equipment

Specify every detail of your car's interior with this range of exclusive options.

Options are subject to availability and may extend delivery.

- = Not available
- = Available
- S = Standard

*Where the law permits.

**HomeLink® is a registered trademark of Johnson Controls. For information on compatibility, visit www.homelink.com

RRP – Recommended Retail Price.

VAT is calculated at 20% but this may alter to reflect any change in the applicable VAT rate.

Order Code		SE	SE Technik	S line Nav	Black Edition Nav	A4 allroad	A4 allroad Sport Nav	S4 Nav	S4 Black Edition Nav	Total RRP inc VAT
PG3	Advanced key. Access and authorisation system which automatically exchanges data between key and vehicle, allowing the driver to keep the key in their pocket or bag at all times. To unlock and open, simply lift the exterior door handle. To lock, press the button on the handle. Pressing the Start-Stop button integrated in the centre console starts and stops the engine	•	•	•	•	•	•	•	•	£470.00
8T4	Adaptive cruise control with braking guard. Intelligent automatic speed and distance control system. Works at speeds from 20–100mph*, using radar sensors to measure and maintain required distance to vehicle ahead by braking and accelerating. Four programmes (distance 1 to distance 4) set via steering column controls of the cruise control system. Includes Audi braking guard – a system which triggers a visual and acoustic alarm when it detects the risk of a rear end collision with the vehicle in front. At speeds below 20mph the system can initiate partial braking or full deceleration if a potential impact is detected to help prevent a collision, or if it is not possible to completely prevent a collision, the system will focus on reducing the speed at which the vehicles collide	-	•	•	•	•	•	•	•	£900.00
VC1	Garage door opener (HomeLink®**). Programmable radio-operated remote control for compatible doors/gates. Control buttons integrated in the front roof module	•	•	•	•	•	•	•	•	£180.00
QQ1	Interior light package. Includes front and rear footwell lighting, active door reflectors, illuminated vanity mirrors, rear reading lights, entrance lights and illuminated glove compartment, vents and internal door handles	•	•	•	•	•	•	S	S	£150.00
3GN	Load-area fixing kit. Includes load-area rails, telescopic bar and securing belt for dividing up luggage compartment. Only available on Avant models	•	•	•	•	S	S	•	•	£155.00



Advanced key



Adaptive cruise control

Interior equipment

Specify every detail of your car's interior with this range of exclusive options.

Order Code		SE	SE Technik	S line Nav	Black Edition Nav	A4 allroad	A4 allroad Sport Nav	S4 Nav	S4 Black Edition Nav	Total RRP inc VAT
3Y4	Side window blinds – manual	●	●	●	●	●	●	●	●	£100.00
3Y2	Rear window blind – electric (Saloon only)	●	●	●	●	–	–	●	●	£240.00
QE1	Storage package. Comprises storage nets on front seat back-rests, storage compartment under the front seats (if memory function is fitted, only under the front passenger seat), drinks holder in the rear centre armrest and a lockable glove compartment	●	●	●	●	S	S	●	●	£100.00
6NQ	Black cloth headlining	●	●	S	S	●	●	S	S	£205.00
7HB	Leather armrests front and rear. Included with Fine Nappa leather upholstery options (cannot be combined with cloth upholstery)	●	●	●	●	●	●	●	●	£205.00
3X2	Through-load facility. Includes removable ski bag for transporting long objects	●	●	●	●	●	●	●	●	£165.00
YRB S3G	Audi exclusive – controls package.* Includes leather-covered steering wheel and gear-shift gaiter	●	●	●	●	●	●	●	●	£615.00
YSR S3G	Audi exclusive floor mats with leather piping.** Includes 4 floor mats for front and rear (cannot be combined with option YSQ/S3G – Audi exclusive carpets)	●	●	●	●	●	●	●	●	£305.00
YSQ S3G	Audi exclusive carpets.** Includes 4 Audi exclusive floor mats with leather piping	●	●	●	●	●	●	●	●	£870.00

Options are subject to availability and may extend delivery.

- = Not available
- = Available
- S = Standard

*The leather, stitching and piping (where applicable) can be selected from any of the Audi exclusive colours shown on page 60.

**The carpet colour can also be selected from any of the Audi exclusive colours shown on page 60.

RRP – Recommended Retail Price.

VAT is calculated at 20% but this may alter to reflect any change in the applicable VAT rate.

Exterior equipment

Make sure your car looks exactly as you want it to by selecting some of our striking options.

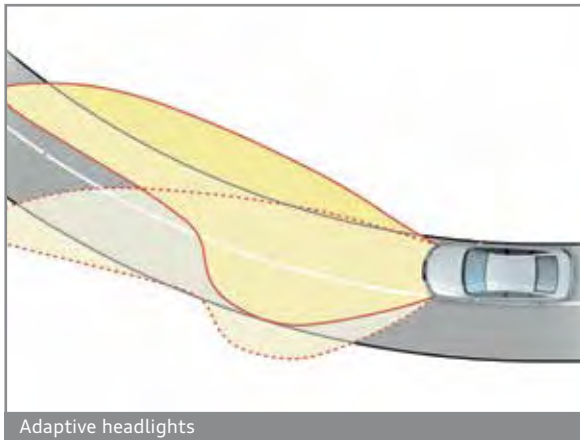
Options are subject to availability and may extend delivery.

- = Not available
• = Available
S = Standard

RRP – Recommended Retail Price.

VAT is calculated at 20% but this may alter to reflect any change in the applicable VAT rate.

Order Code		SE	SE Technik	S line Nav	Black Edition Nav	A4 allroad	A4 allroad Sport Nav	S4 Nav	S4 Black Edition Nav	Total RRP inc VAT
8N7	High-beam assist. Variable headlight range control featuring a camera on the interior mirror which registers sources of light from other road users. The range and width of the headlight beam are continuously varied between dipped and main beam to suit ambient conditions, ensuring that the headlights provide good visibility without dazzling other road users	•	•	•	•	•	•	•	•	£110.00
PX1 8Q5	Adaptive headlights with turning light. Swivelling headlights for improved illumination of a winding road. Includes a turning light which is activated at speeds below 19mph and with the dipped beam switched on for better illumination of tighter corners. Includes Xenon Plus headlights with LED daytime-running lights and headlight washers on SE and SE Technik and allroad quattro models	•	•	-	-	•	-	-	-	£1,130.00
		-	-	•	•	-	•	•	•	£330.00
4ZD	Black styling package. Front radiator grille frame and window surround in high-gloss black, with radiator grille and number plate holder in matt black. Avant models include black roof rails. S line and S4 models include bar in side radiator grilles in highly polished black. Please note that the selection of this option on the SE Technik trim will result in the removal of the chrome grille	•	•	•	S	-	-	•	S	£465.00
2Z7	Deletion of engine technology designation at rear	•	•	•	•	-	-	-	-	No charge
2Z0	Deletion of model and engine technology designation at rear	•	•	•	•	•	•	•	•	No charge
VJ1	Full paint finish. Bumpers and extended wheel arches painted in body colour with matt finish. Available in combination with Teak brown, Glacier white, Floret silver, Mythos black or Audi exclusive exterior colours	-	-	-	-	•	•	-	-	£1,150.00



Exterior equipment

Order Code		SE	SE Technik	S line Nav	Black Edition Nav	A4 allroad	A4 allroad Sport Nav	S4 Nav	S4 Black Edition Nav	Total RRP inc VAT
VW1	Privacy glass. Dark tinted glass from B-pillar backwards. Only available on Avant models	●	●	●	S	●	S	●	S	£330.00
1D2	Towing equipment. Removable. Includes single European 13-pin electric socket and may require a 13- to 7-pin adaptor.* Please consult your Audi Centre for details	—	●	●	●	●	●	●	●	£665.00
6XK	Door mirrors – electrically folding and auto dimming. Includes kerb view function which lowers the passenger side mirror for increased visibility whilst reversing	●	●	●	●	●	●	●	●	£290.00
3FE	Electric slide-and-tilt sunroof. Includes position pre-selection, tinted glass insert, variable sunshield and convenience closing via the car key. Only available on Saloon models	—	●	●	●	—	—	●	●	£870.00
3FU	Open Sky panoramic sunroof. Comprises glass roof with electric slide-and-tilt control and sunshade at front and rear. Convenience closing via the car key. Only available on Avant models	●	●	●	●	●	●	●	●	£1,125.00

Options are subject to availability and may extend delivery.

— = Not available
 ● = Available
 S = Standard

*Additional wiring is required for auxiliary equipment.

RRP – Recommended Retail Price.

VAT is calculated at 20% but this may alter to reflect any change in the applicable VAT rate.



Privacy glass



Electric slide-and-tilt sunroof



Open Sky panoramic sunroof

Safety and security

Intelligent technology designed to give you better all-round awareness and safety on the road.

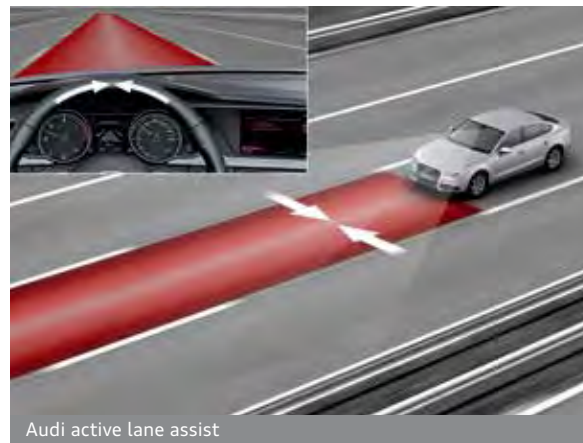
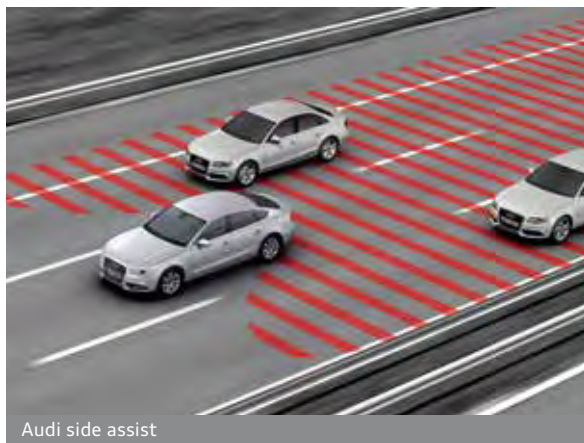
Options are subject to availability and may extend delivery.

- = Not available
• = Available
S = Standard

RRP – Recommended Retail Price.

VAT is calculated at 20% but this may alter to reflect any change in the applicable VAT rate.

Order Code		SE	SE Technik	S line Nav	Black Edition Nav	A4 allroad	A4 allroad Sport Nav	S4 Nav	S4 Black Edition Nav	Total RRP inc VAT
7X4	Audi parking system plus. Acoustic and visual park assist system for the front and rear with MMI screen display; measurement is by ultrasonic sensors concealed in the bumpers (standard on S4 Saloon Black Edition Nav models). Also available as part of a Technology package Advanced (PCB)	•	S	•	S	•	•	•	•	£325.00
7X8	Audi parking system advanced. Aids parking by acoustically and visually indicating distances to obstacles with guiding lines. Measured by sensors and reversing camera. Only available in combination with MMI Navigation Plus (PNQ) or Technology package Advanced (PCB)	•	•	•	•	•	•	•	•	£340.00
UH2	Audi hill-hold assist. Uses either the ESP system or electromechanical parking brake to hold the vehicle stationary	•	•	•	•	•	•	•	•	£65.00
7Y4	Audi active lane assist. Helps the driver to stay in lane with gentle steering impulses for greater safety and convenience, particularly on motorways and country roads. The system informs the driver if the car is drifting out of its lane unintentionally above approximately 37mph. The driver has the choice of two system settings in the MMI: - Early steering intervention – continuously helps the driver to stay in lane with steering impulses that centre the vehicle in its lane - Late steering intervention – alerts the driver that the vehicle is possibly crossing the lane markings at the same time as providing a corrective steering prompt An additional warning in the form of the vibrating steering wheel is issued when lane markings are crossed, if specified by driver	•	•	•	•	•	•	•	•	£370.00
7Y1	Audi side assist. Aids the driver when changing lane. Audi side assist monitors the area behind your car, using radar sensors located discreetly in the rear bumper, informing the driver with a visual warning signal in the door mirror if there is a vehicle in their blind spot or approaching quickly from behind. The system is activated using a button in the driver's door	•	•	•	•	•	•	•	•	£440.00
4X4	Rear side airbags. For the outer rear seats, incorporated into the seat backrests; supplement the side impact protection in the doors and the head airbag system	•	•	•	•	•	•	•	•	£255.00



Steering wheels

Our steering wheels are available in a range of textures and designs, and can give you control over everything from your Satellite Navigation system to the S tronic transmission.

Order Code		SE	SE Technik	S line Nav	Black Edition Nav	A4 allroad	A4 allroad Sport Nav	S4 Nav	S4 Black Edition Nav	Total RRP inc VAT
1XW	3-spoke multi-function steering wheel. Manual models only	●	●	S	—	●	●	—	—	£100.00
1XX	3-spoke multi-function steering wheel with gear-shift paddles. Automatic models only	●	●	S	—	●	●	S	—	£245.00
2PF 2PK	3-spoke multi-function flat-bottomed steering wheel (includes gear-shift paddles on automatic models)	—	—	●	S	—	—	●	S	£100.00
YRI S3G	Audi exclusive steering wheel in wood and leather.* Wood and leather can be chosen from the Audi exclusive inlays and leather colours respectively. Only in combination with matching inlays	●	●	—	—	●	●	—	—	£615.00

Options are subject to availability and may extend delivery.

- = Not available
- = Available
- S = Standard

*The leather and stitching (where applicable) can be selected from any of the Audi exclusive colours shown on page 60.

RRP – Recommended Retail Price.

VAT is calculated at 20% but this may alter to reflect any change in the applicable VAT rate.



4-spoke multi-function steering wheel



3-spoke multi-function steering wheel



3-spoke multi-function flat-bottomed steering wheel

Looking after your Audi

When you've chosen your ideal model, it's reassuring to know that it will remain in safe hands. That's why we've created products to protect your Audi, from extended warranties to Audi Complete – our comprehensive service and maintenance package. And there's also a range of Audi accessories and merchandise to choose from, enabling you to further enhance and safeguard your car.





Audi Complete

If you drive under 10,000 miles per annum your vehicle will be placed on a Fixed Inspection Service schedule. If your mileage tends to exceed 10,000 miles per annum it will be placed on the Flexible Service schedule.

Warranty

All new Audi models now come with a choice of three, four or five-year warranty.* What's more, if you decide to sell your Audi before the warranty expires, it will be fully transferred to the new owner. So, whichever length of warranty you choose, you can forget about unexpected repair bills and enjoy several years of carefree driving.

Options are subject to availability and may extend delivery.

- = Not available
• = Available
S = Standard

*Three-year warranty consists of a two-year unlimited mileage warranty and a third year warranty with a 60,000-mile limitation. Four-year warranty consists of a two-year unlimited mileage warranty and two further years' coverage with a 75,000-mile limitation. Five-year warranty consists of a two-year unlimited mileage warranty and three further years' coverage with a 90,000-mile limitation.

**Only available before registration of your Audi A4. Please speak to your Audi Centre for full details.

RRP - Recommended Retail Price.

VAT is calculated at 20% but this may alter to reflect any change in the applicable VAT rate.

Audi Complete is our fixed-cost maintenance plan, which helps you keep your Audi in top condition and stay in control of your finances. For a simple monthly payment, you could cover your car's servicing, maintenance and, if you want, its tyres too.

So not only will you ensure your car runs smoothly, you'll also protect its future resale value. And because everything's covered by one competitive price, there's no need to go anywhere else.

Pricing is completely tailored to your vehicle and takes into consideration the options you have on your vehicle and your likely annual mileage and resultant service schedule. Please speak to your Audi Centre for a personalised quote for Audi Complete.

Order Code		A4 Saloon/ Avant	A4 allroad	S4	Total RRP inc VAT
-	Audi Warranty , covering you for unlimited mileage in the first two years of ownership, and up to 60,000 miles in the third year. Transferable between owners**	S	S	S	No charge
EA6	Audi Warranty , covering you for up to 4 years or 75,000 miles, whichever comes sooner. Cover includes a two-year unlimited mileage warranty, and up to 75,000 miles in the third and fourth years. Transferable between owners**	•	•	•	£385.00
EA9	Audi Warranty , covering you for up to 5 years or 90,000 miles, whichever comes sooner. Cover includes a two-year unlimited mileage warranty, and up to 90,000 miles in the third, fourth and fifth years. Transferable between owners**	•	•	•	£905.00



Accessories

Choosing an Audi isn't just a matter of deciding on the model you want; it's about creating a car that suits your needs perfectly. And that's why we've developed a whole range of accessories to enhance your A4, enabling you to customise it down to the last detail. Like your Audi, all these accessories are developed to the highest possible standards. They're all available exclusively from Audi.

To find out more, just visit audi.co.uk/accessories or contact your local Audi Centre.

Warranty

All the accessories available on the A4 are covered by a three-year warranty* if they are ordered and included in the purchase price of the car at date of delivery. Any accessories ordered and installed after delivery include a two-year warranty.*

*Excluding Road Angel products. Audi Accessories warranty terms and conditions can be found at audi.co.uk



Merchandise

From the enthusiasts' motorsport collection to the sophisticated Audi collection, there's a wide variety of adults' and children's clothing, lifestyle accessories and collectables, all of which bear the Audi name.

Please speak to a member of our team at your local Audi Centre to see the full Audi collection and to place an order. A selection of Audi merchandise is also available to buy from audi.co.uk/merchandise



Image shown is the Audi kids' car legends, item number 320.13.004.00

The Audi **Difference**

The experts in Vorsprung durch Technik

Our Audi Approved Master Technicians have undergone an impressive 100,000 hours of training over a 10-year programme to ensure they have the latest technical expertise for maintaining and servicing your Audi. All our Service Advisors undergo a specialist induction and training to ensure they are Audi professionals and able to talk to you about any issues you may have with your Audi vehicle.

Servicing tailored to your needs

Regular servicing is key to safeguarding your Audi's performance and a full Audi service history could help you enhance the future re-sale value. To make servicing easy, the Audi Service Schedules have been designed to work with your individual driving style and vehicle.

We offer two different schedules: the Fixed Inspection Service and the Flexible Service schedule. The conventional Fixed Inspection Service schedule has fixed intervals for the Oil-change Service and Inspection Service, which are determined by time and distance.

With the Flexible Service schedule, the Inspection Service intervals are also fixed but the Oil-change Service intervals are variable. Sensors take account of driving style and conditions to determine when the Oil-change Service is required and the driver is informed via the on-board service interval display.

The choice of Service Schedule will depend on journey type and mileage as well as individual driving style and conditions. The table to the right can be used for guidance but your Audi Centre will help you to determine the most suitable Service Schedule for you based on your individual circumstances and preferences.

Fixed Inspection Service Schedule

	Vehicle usage:
Mileage	Less than 10,000 miles per annum Mainly city/town centre driving. Short journeys.
	Service intervals:
Oil-change Service	Fixed to every 9,000+ miles/1 year
Inspection Service	Fixed to every 19,000+ miles/2 years

Flexible Service Schedule

	Vehicle usage:
Mileage	More than 10,000 miles per annum Motorway and main road driving. Mainly longer distance journeys. Constant speeds.
	Service intervals:
Oil-change Service	Variable to a maximum of every 19,000+ miles/2 years
Inspection Service	Fixed to every 19,000+ miles/2 years

When a vehicle is frequently used in the following conditions, we recommend a Fixed Inspection Service Schedule, regardless of mileage:

Uneconomical driving styles, e.g. heavy acceleration and braking, constant use of high revs
High engine-loading conditions, e.g. frequent towing and hill climbs

*As indicated by the service interval display. Mileages are approximate as the Service Indicator system uses kilometres as its distance measurement.

Your convenience comes first

At Audi you can choose from a range of convenient services that suit your needs. Why not book a 'service while you wait' appointment* and enjoy our complimentary refreshments while your car is with us? Or, if you need to be mobile, take advantage of one of our courtesy cars which we can even deliver to you.* We guarantee we can service your Audi within 5 days without a courtesy car or within 10 days if you need transport. We will also ensure your car is returned to you with a full valet.

Audi Genuine Parts

You can rest assured that only Audi Genuine Parts will be used on your vehicle. What's more, Audi parts and labour come with a 2-year guarantee.**

No hidden costs

We believe strongly in transparency when it comes to our prices. For added peace of mind, we will give you a quotation over the phone for the work you have requested and email you the price confirmation. We'll consult you if any additional work on your car is needed when it is with us. We won't carry out any extra work without asking your permission first.

All part of the service

Whenever we see an Audi for a service, we connect it directly to our headquarters in Ingolstadt which enables us to check your car's software and make sure it's as up-to-date as possible. If the factory has released a software upgrade for your model, it can be applied immediately - improving anything from your car's efficiency to the precision of its parking system.

Audi Roadside Assistance

Your new car comes complete with 3 years' complimentary roadside assistance and recovery across the UK, provided by Automobile Association Insurance Services Limited. Also included is roadside assistance throughout Europe, managed by Automobile Association Insurance Services Limited.

For further information and terms and conditions please visit audi.co.uk

*Subject to availability.
**Excludes wear and tear.



A4 Saloon Petrol technical data

Depending upon your chosen A4 wheel size, different efficiency figures for CO₂ emissions and fuel consumption will apply (based on EU directive no. 715/2007 effective from 01/09/14). This table is a quick reference guide to assist you in finding the correct values based on wheel sizes and chosen engine.

*Electronically limited.

**Highest insurance group rating shown. Group may be lower dependent on trim level. Please visit www.thatcham.org/abigrouprating for details.

¹The given value was obtained in accordance with the specified measurement procedure (the respective current version of the Directive 80/1269/EEC).

²Fuel consumption and CO₂ emissions figures are obtained under standardised test conditions (Directive 93/116/EEC) using a representative model. This allows direct comparison between different models from different manufacturers, but may not represent the actual fuel consumption achieved in 'real world' driving conditions. More information is available at www.dft.gov.uk/vca

³Vehicle's unladen weight without driver (calculated in accordance with the current version of Directive 80/1268/EEC). The fitting of additional equipment may increase the vehicle's unladen weight and drag coefficient, whereupon the potential carrying capacity and top speed will be correspondingly reduced.

⁴The engine's power output always goes down with increasing altitude. At 1,000m above sea level, and for every additional 1,000m, deduct 10% from the weight of the outfit (trailer load limit + gross weight of the towing vehicle).

Engine		1.8 TFSI	1.8 TFSI	2.0 TFSI quattro
Transmission		6-speed manual	multitronic	7-speed S tronic
Cylinder		4-cylinder	4-cylinder	4-cylinder
Displacement, cubic cm		1798	1798	1984
Max. power, ¹ PS at rpm		170/3800-6200	170/3800-6200	225/4500-6250
Max. torque, Nm at rpm		320/1400-3700	320/1400-3700	350/1500-4500
Top speed, mph		143	140	155*
0-62mph acceleration, seconds		8.1	8.3	6.4
CO ₂ emissions, ² g/km	18" wheels	134	139	-
	19" wheels	142	144	166
Benefit in kind (BIK)%	18" wheels	21%	22%	-
	19" wheels	23%	23%	28%
Fuel consumption, ² mpg (l/100km) Urban	18" wheels	38.7 (7.3)	38.2 (7.4)	-
	19" wheels	36.7 (7.7)	37.7 (7.5)	31.4 (9.0)
Fuel consumption, ² mpg (l/100km) Extra Urban	18" wheels	57.6 (4.9)	54.3 (5.2)	-
	19" wheels	53.3 (5.3)	51.4 (5.5)	45.6 (6.2)
Fuel consumption, ² mpg (l/100km) Combined	18" wheels	48.7 (5.8)	47.1 (6.0)	-
	19" wheels	46.3 (6.1)	45.6 (6.2)	39.2 (7.2)
ABI insurance group**		TBC	TBC	TBC
Unladen weight, ³ kg		1430	1470	1570
Gross weight limit, kg		1980	2020	2120
Roof load limit/nose weight, kg		90/80	90/80	90/80
Max trailer load unbraked, ⁴ kg		750	750	750
Max trailer load with 12%/8% gradient, ⁴ kg		1500/1700	1500/1700	1700/1900
Luggage compartment capacity, litres, seats folded up/down		480/962	480/962	480/962
Fuel tank capacity approx, litres		63	63	61
Emission standard		EU6	EU6	EU6

A4 Saloon Diesel ultra technical data

A4 Saloon diesel ultra engine are only available in conjunction with 17" wheels.

*Highest insurance group rating shown. Group may be lower dependent on trim level. Please visit www.thatcham.org/abigrouprating for details.

^The addition of AdBlue technology ensures compliance with EU6 emission standards. The AdBlue tank may require refilling between services.

¹The given value was obtained in accordance with the specified measurement procedure (the respective current version of the Directive 80/1269/EEC).

²Fuel consumption and CO2 emissions figures are obtained under standardised test conditions (Directive 93/116/EEC) using a representative model. This allows direct comparison between different models from different manufacturers, but may not represent the actual fuel consumption achieved in 'real world' driving conditions. More information is available at www.dft.gov.uk/vca

³Vehicle's unladen weight without driver (calculated in accordance with the current version of Directive 80/1268/EEC). The fitting of additional equipment may increase the vehicle's unladen weight and drag coefficient, whereupon the potential carrying capacity and top speed will be correspondingly reduced.

⁴The engine's power output always goes down with increasing altitude. At 1,000m above sea level, and for every additional 1,000m, deduct 10% from the weight of the outfit (trailer load limit + gross weight of the towing vehicle).

Engine	2.0 TDI ultra	2.0 TDI ultra
Transmission	6-speed manual	6-speed manual
Cylinder	4-cylinder	4-cylinder
Displacement, cubic cm	1968	1968
Max. power, ¹ PS at rpm	136/3000-4400	163/3000-4200
Max. torque, Nm at rpm	320/1500-3000	400/1750-2750
Top speed, mph	133	140
0-62mph acceleration, seconds	9.3	8.3
CO2 emissions, ² g/km	108	109
Benefit in kind (BIK)%	19%	19%
Fuel consumption, ² mpg (l/100km) Urban	57.6 (4.9)	56.5 (5.0)
Fuel consumption, ² mpg (l/100km) Extra Urban	76.3 (3.7)	74.3 (3.8)
Fuel consumption, ² mpg (l/100km) Combined	68.9 (4.1)	67.3 (4.2)
ABI insurance group*	TBC	TBC
Unladen weight, ³ kg	1540	1540
Gross weight limit, kg	2090	2090
Roof load limit/nose weight, kg	90/80	90/80
Max trailer load unbraked, ⁴ kg	750	750
Max trailer load with 12%/8% gradient, ⁴ kg	1300/1500	1300/1500
Luggage compartment capacity, litres, seats folded up/down	480/962	480/962
Fuel tank capacity approx, litres	63	63
Emission standard	EU6 [^]	EU6 [^]

A4 Saloon Diesel technical data

Depending upon your chosen A4 wheel size, different efficiency figures for CO₂ emissions and fuel consumption will apply (based on EU directive no. 715/2007 effective from 01/09/14). This table is a quick reference guide to assist you in finding the correct values based on wheel sizes and chosen engine.

*Electronically limited.

**Highest insurance group rating shown. Group may be lower dependent on trim level. Please visit www.thatcham.org/abigrouprating for details.

[†]The addition of AdBlue technology ensures compliance with EU6 emission standards. The AdBlue tank may require refilling between services.

¹The given value was obtained in accordance with the specified measurement procedure (the respective current version of the Directive 80/1269/EEC).

²Fuel consumption and CO₂ emissions figures are obtained under standardised test conditions (Directive 93/116/EEC) using a representative model. This allows direct comparison between different models from different manufacturers, but may not represent the actual fuel consumption achieved in 'real world' driving conditions. More information is available at www.dft.gov.uk/vca

³Vehicle's unladen weight without driver (calculated in accordance with the current version of Directive 80/1268/EEC). The fitting of additional equipment may increase the vehicle's unladen weight and drag coefficient, whereupon the potential carrying capacity and top speed will be correspondingly reduced.

⁴The engine's power output always goes down with increasing altitude. At 1,000m above sea level, and for every additional 1,000m, deduct 10% from the weight of the outfit (trailer load limit + gross weight of the towing vehicle).

Engine		2.0 TDI	2.0 TDI	2.0 TDI	2.0 TDI	2.0 TDI quattro	2.0 TDI quattro	3.0 TDI quattro
Transmission		6-speed manual	multitronic	6-speed manual	multitronic	6-speed manual	7-speed S tronic	7-speed S tronic
Cylinder		4-cylinder	4-cylinder	4-cylinder	4-cylinder	4-cylinder	4-cylinder	6-cylinder
Displacement, cubic cm		1968	1968	1968	1968	1968	1968	2967
Max. power, ¹ PS at rpm		150/3250-4200	150/3250-4200	190/3800-4200	190/3800-4200	190/3800-4200	190/3800-4200	245/4000-4500
Max. torque, Nm at rpm		320/1500-3250	320/1500-3250	400/1750-3000	400/1750-3000	400/1750-3000	400/1750-3000	580/1750-2500
Top speed, mph		134	130	149	143	146	146	155*
0-62mph acceleration, seconds		9.2	9.1	7.7	7.8	7.4	7.3	5.9
CO ₂ emissions, ² g/km	18" wheels	120	127	124	126	135	139	-
	19" wheels	124	131	129	131	140	143	162
Benefit in kind (BIK)%	18" wheels	22%	23%	22%	23%	25%	25%	-
	19" wheels	22%	24%	23%	24%	26%	26%	30%
Fuel consumption, ² mpg (l/100km) Urban	18" wheels	52.3 (5.4)	51.4 (5.5)	50.4 (5.6)	50.4 (5.6)	46.3 (6.1)	45.6 (6.2)	-
	19" wheels	51.4 (5.5)	49.6 (5.7)	48.7 (5.8)	49.6 (5.7)	44.8 (6.3)	44.8 (6.3)	37.7 (7.5)
Fuel consumption, ² mpg (l/100km) Extra Urban	18" wheels	68.9 (4.1)	64.2 (4.4)	67.3 (4.2)	65.7 (4.3)	61.4 (4.6)	58.9 (4.8)	-
	19" wheels	67.3 (4.2)	62.8 (4.5)	64.2 (4.4)	62.8 (4.5)	58.9 (4.8)	57.6 (4.9)	52.3 (5.4)
Fuel consumption, ² mpg (l/100km) Combined	18" wheels	61.4 (4.6)	58.9 (4.8)	60.1 (4.7)	58.9 (4.8)	54.3 (5.2)	53.3 (5.3)	-
	19" wheels	60.1 (4.7)	56.5 (5.0)	57.6 (4.9)	56.5 (5.0)	52.3 (5.4)	52.3 (5.4)	45.6 (6.2)
ABI insurance group**		TBC	TBC	TBC	TBC	TBC	TBC	TBC
Unladen weight, ³ kg		1540	1575	1540	1575	1615	1655	1730
Gross weight limit, kg		2090	2125	2090	2125	2165	2205	2280
Roof load limit/nose weight, kg		90/80	90/80	90/80	90/80	90/80	90/80	90/80
Max trailer load unbraked, ⁴ kg		750	750	750	750	750	750	750
Max trailer load with 12%/8% gradient, ⁴ kg		1600/1800	1700/1900	1600/1800	1700/1900	1600/1800	1700/ 1900	1900/ 2100
Luggage compartment capacity, litres, seats folded up/down		480/962	480/962	480/962	480/962	480/962	480/962	480/962
Fuel tank capacity approx, litres		63	63	63	63	61	61	61
Emission standard		EU6 [†]	EU6 [†]	EU6 [†]	EU6 [†]	EU6 [†]	EU6 [†]	EU6 [†]

A4 Avant Petrol technical data

Depending upon your chosen A4 wheel size, different efficiency figures for CO₂ emissions and fuel consumption will apply (based on EU directive no. 715/2007 effective from 01/09/14). This table is a quick reference guide to assist you in finding the correct values based on wheel sizes and chosen engine.

*Electronically limited.

**Highest insurance group rating shown. Group may be lower dependent on trim level. Please visit www.thatcham.org/abigrouprating for details.

¹The given value was obtained in accordance with the specified measurement procedure (the respective current version of the Directive 80/1269/EEC).

²Fuel consumption and CO₂ emissions figures are obtained under standardised test conditions (Directive 93/116/EEC) using a representative model. This allows direct comparison between different models from different manufacturers, but may not represent the actual fuel consumption achieved in 'real world' driving conditions. More information is available at www.dft.gov.uk/vca

³Vehicle's unladen weight without driver (calculated in accordance with the current version of Directive 80/1268/EEC). The fitting of additional equipment may increase the vehicle's unladen weight and drag coefficient, whereupon the potential carrying capacity and top speed will be correspondingly reduced.

⁴The engine's power output always goes down with increasing altitude. At 1,000m above sea level, and for every additional 1,000m, deduct 10% from the weight of the outfit (trailer load limit + gross weight of the towing vehicle).

Engine		1.8 TFSI	1.8 TFSI	2.0 TFSI quattro
Transmission		6-speed manual	multitronic	7-speed S tronic
Cylinder		4-cylinder	4-cylinder	4-cylinder
Displacement, cubic cm		1798	1798	1984
Max. power, ¹ PS at rpm		170/3800-6200	170/3800-6200	225/4500-6250
Max. torque, Nm at rpm		320/1400-3700	320/1400-3700	350/1500-4500
Top speed, mph		138	133	149
0-62mph acceleration, seconds		8.3	8.4	6.5
CO ₂ emissions, ² g/km	18" wheels	141	144	-
	19" wheels	148	149	169
Benefit in kind (BIK)%	18" wheels	23%	23%	-
	19" wheels	24%	24%	28%
Fuel consumption, ² mpg (l/100km) Urban	18" wheels	37.2 (7.6)	37.7 (7.5)	-
	19" wheels	36.2 (7.8)	37.2 (7.6)	31.0 (9.1)
Fuel consumption, ² mpg (l/100km) Extra Urban	18" wheels	53.3 (5.3)	51.4 (5.5)	-
	19" wheels	50.4 (5.6)	48.7 (5.8)	44.1 (6.4)
Fuel consumption, ² mpg (l/100km) Combined	18" wheels	46.3 (6.1)	45.6 (6.2)	-
	19" wheels	44.1 (6.4)	44.1 (6.4)	38.2 (7.4)
ABI insurance group**		TBC	TBC	TBC
Unladen weight, ³ kg		1490	1530	1610
Gross weight limit, kg		2060	2100	2180
Roof load limit/nose weight, kg		90/80	90/80	90/80
Max trailer load unbraked, ⁴ kg		750	750	750
Max trailer load with 12%/8% gradient, ⁴ kg		1500/1700	1500/1700	1700/1900
Luggage compartment capacity, litres, seats folded up/down		490/1430	490/1430	490/1430
Fuel tank capacity approx, litres		63	63	61
Emission standard		EU6	EU6	EU6

A4 Avant Diesel ultra technical data

A4 Avant diesel ultra engines are only available in conjunction with 17" wheels.

*Highest insurance group rating shown. Group may be lower dependent on trim level. Please visit www.thatcham.org/abigrouprating for details.

⁴The addition of AdBlue technology ensures compliance with EU6 emission standards. The AdBlue tank may require refilling between services.

¹The given value was obtained in accordance with the specified measurement procedure (the respective current version of the Directive 80/1269/EEC).

²Fuel consumption and CO₂ emissions figures are obtained under standardised test conditions (Directive 93/116/EEC) using a representative model. This allows direct comparison between different models from different manufacturers, but may not represent the actual fuel consumption achieved in 'real world' driving conditions. More information is available at www.dft.gov.uk/vca

³Vehicle's unladen weight without driver (calculated in accordance with the current version of Directive 80/1268/EEC). The fitting of additional equipment may increase the vehicle's unladen weight and drag coefficient, whereupon the potential carrying capacity and top speed will be correspondingly reduced.

⁴The engine's power output always goes down with increasing altitude. At 1,000m above sea level, and for every additional 1,000m, deduct 10% from the weight of the outfit (trailer load limit + gross weight of the towing vehicle).

Engine	2.0 TDI ultra	2.0 TDI ultra
Transmission	6-speed manual	6-speed manual
Cylinder	4-cylinder	4-cylinder
Displacement, cubic cm	1968	1968
Max. power, ¹ PS at rpm	136/3000-4400	163/3000-4200
Max. torque, Nm at rpm	320/1500-3000	400/1750-2750
Top speed, mph	129	134
0-62mph acceleration, seconds	9.6	8.6
CO ₂ emissions, ² g/km	113	114
Benefit in kind (BIK)%	20%	20%
Fuel consumption, ² mpg (l/100km) Urban	56.5 (5.0)	55.4 (5.1)
Fuel consumption, ² mpg (l/100km) Extra Urban	72.4 (3.9)	70.6 (4.0)
Fuel consumption, ² mpg (l/100km) Combined	65.7 (4.3)	64.2 (4.4)
ABI insurance group*	TBC	TBC
Unladen weight, ³ kg	1595	1600
Gross weight limit, kg	2165	2170
Roof load limit/nose weight, kg	90/80	90/80
Max trailer load unbraked, ⁴ kg	750	750
Max trailer load with 12%/8% gradient, ⁴ kg	1300/1500	1300/1500
Luggage compartment capacity, litres, seats folded up/down	490/1430	490/1430
Fuel tank capacity approx, litres	63	63
Emission standard	EU6 ⁴	EU6 ⁴

A4 Avant Diesel technical data

Depending upon your chosen A4 wheel size, different efficiency figures for CO₂ emissions and fuel consumption will apply (based on EU directive no. 715/2007 effective from 01/09/14). This table is a quick reference guide to assist you in finding the correct values based on wheel sizes and chosen engine.

*Electronically limited.

**Highest insurance group rating shown. Group may be lower dependent on trim level. Please visit www.thatcham.org/abigrouprating for details.

⁴The addition of AdBlue technology ensures compliance with EU6 emission standards. The AdBlue tank may require refilling between services.

¹The given value was obtained in accordance with the specified measurement procedure (the respective current version of the Directive 80/1269/EEC).

²Fuel consumption and CO₂ emissions figures are obtained under standardised test conditions (Directive 93/116/EEC) using a representative model. This allows direct comparison between different models from different manufacturers, but may not represent the actual fuel consumption achieved in 'real world' driving conditions. More information is available at www.dft.gov.uk/vca

³Vehicle's unladen weight without driver (calculated in accordance with the current version of Directive 80/1268/EEC). The fitting of additional equipment may increase the vehicle's unladen weight and drag coefficient, whereupon the potential carrying capacity and top speed will be correspondingly reduced.

⁴The engine's power output always goes down with increasing altitude. At 1,000m above sea level, and for every additional 1,000m, deduct 10% from the weight of the outfit (trailer load limit + gross weight of the towing vehicle).

Engine		2.0 TDI	2.0 TDI	2.0 TDI	2.0 TDI	2.0 TDI quattro	2.0 TDI quattro	3.0 TDI quattro
Transmission		6-speed manual	multitronic	6-speed manual	multitronic	6-speed manual	7-speed S tronic	7-speed S tronic
Cylinder		4-cylinder	4-cylinder	4-cylinder	4-cylinder	4-cylinder	4-cylinder	6-cylinder
Displacement, cubic cm		1968	1968	1968	1968	1968	1968	2967
Max. power, ¹ PS at rpm		150/3250-4200	150/3250-4200	190/3800-4200	190/3800-4200	190/3800-4200	190/3800-4200	245/4000-4500
Max. torque, Nm at rpm		320/1500-3250	320/1500-3250	400/1750-3000	400/1750-3000	400/1750-3000	400/1750-3000	580/1750-2500
Top speed, mph		129	124	144	138	142	143	155*
0-62mph acceleration, seconds		9.5	9.5	7.9	8.3	7.6	7.4	6.1
CO ₂ emissions, ² g/km	18" wheels	125	130	131	131	139	145	-
	19" wheels	129	135	136	136	144	149	170
Benefit in kind (BIK)%	18" wheels	23%	24%	24%	24%	25%	27%	-
	19" wheels	23%	25%	25%	25%	26%	27%	32%
Fuel consumption, ² mpg (l/100km) Urban	18" wheels	50.4 (5.6)	50.4 (5.6)	47.9 (5.9)	49.6 (5.7)	45.6 (6.2)	44.8 (6.3)	-
	19" wheels	49.6 (5.7)	48.7 (5.8)	46.3 (6.1)	48.7 (5.8)	44.8 (6.3)	43.5 (6.5)	37.2 (7.6)
Fuel consumption, ² mpg (l/100km) Extra Urban	18" wheels	65.7 (4.3)	61.4 (4.6)	62.8 (4.5)	61.4 (4.6)	58.9 (4.8)	56.5 (5.0)	-
	19" wheels	62.8 (4.5)	58.9 (4.8)	60.1 (4.7)	58.9 (4.8)	56.5 (5.0)	54.3 (5.2)	48.7 (5.8)
Fuel consumption, ² mpg (l/100km) Combined	18" wheels	58.9 (4.8)	56.5 (5.0)	56.5 (5.0)	56.5 (5.0)	53.3 (5.3)	51.4 (5.5)	-
	19" wheels	57.6 (4.9)	55.4 (5.1)	54.3 (5.2)	55.4 (5.1)	51.4 (5.5)	49.6 (5.7)	44.1 (6.4)
ABI insurance group**		TBC	TBC	TBC	TBC	TBC	TBC	TBC
Unladen weight, ³ kg		1595	1630	1595	1630	1655	1700	1780
Gross weight limit, kg		2165	2200	2165	2200	2225	2270	2350
Roof load limit/nose weight, kg		90/80	90/80	90/80	90/80	90/80	90/80	90/80
Max trailer load unbraked, ⁴ kg		750	750	750	750	750	750	750
Max trailer load with 12%/8% gradient, ⁴ kg		1600/1800	1700/1900	1600/1800	1700/1900	1600/1800	1700/1900	1900/2100
Luggage compartment capacity, litres, seats folded up/down		490/1430	490/1430	490/1430	490/1430	490/1430	490/1430	490/1430
Fuel tank capacity approx, litres		63	63	63	63	61	61	61
Emission standard		EU6 ⁴	EU6 ⁴	EU6 ⁴	EU6 ⁴	EU6 ⁴	EU6 ⁴	EU6 ⁴

A4 allroad technical data

Depending upon your chosen A4 wheel size, different efficiency figures for CO₂ emissions and fuel consumption will apply (based on EU directive no. 715/2007 effective from 01/09/14). This table is a quick reference guide to assist you in finding the correct values based on wheel sizes and chosen engine.

*Highest insurance group rating shown. Group may be lower dependent on trim level. Please visit www.thatcham.org/abigrouprating for details.

^The addition of AdBlue technology ensures compliance with EU6 emission standards. The AdBlue tank may require refilling between services.

¹The given value was obtained in accordance with the specified measurement procedure (the respective current version of the Directive 80/1269/EEC).

²Fuel consumption and CO₂ emissions figures are obtained under standardised test conditions (Directive 93/116/EEC) using a representative model. This allows direct comparison between different models from different manufacturers, but may not represent the actual fuel consumption achieved in 'real world' driving conditions. More information is available at www.dft.gov.uk/vca

³Vehicle's unladen weight without driver (calculated in accordance with the current version of Directive 80/1268/EEC). The fitting of additional equipment may increase the vehicle's unladen weight and drag coefficient, whereupon the potential carrying capacity and top speed will be correspondingly reduced.

⁴The engine's power output always goes down with increasing altitude. At 1,000m above sea level, and for every additional 1,000m, deduct 10% from the weight of the outfit (trailer load limit + gross weight of the towing vehicle).

Engine	Petrol		Diesel	
	2.0 TFSI quattro	2.0 TDI quattro	2.0 TDI quattro	3.0 TDI quattro
Transmission	7-speed S tronic	6-speed manual	7-speed S tronic	7-speed S tronic
Cylinder	4-cylinder	4-cylinder	4-cylinder	6-cylinder
Displacement, cubic cm	1984	1968	1968	2967
Max. power, ¹ PS at rpm	225/4500-6250	190/3800-4200	190/3800-4200	245/4000-4500
Max. torque, Nm at rpm	350/1500-4500	400/1750-3000	400/1750-3000	580/1750-2500
Top speed, mph	145	138	133	147
0-62mph acceleration, seconds	6.7	7.6	7.8	6.2
CO ₂ emissions, ² g/km	18" wheels	164	145	159
	19" wheels	164	145	159
Benefit in kind (BIK)%	18" wheels	27%	27%	29%
	19" wheels	27%	27%	29%
Fuel consumption, ² mpg (l/100km) Urban	18" wheels	32.8 (8.6)	43.5 (6.5)	39.8 (7.1)
	19" wheels	32.8 (8.6)	43.5 (6.5)	39.8 (7.1)
Fuel consumption, ² mpg (l/100km) Extra Urban	18" wheels	46.3 (6.1)	56.5 (5.0)	52.3 (5.4)
	19" wheels	46.3 (6.1)	56.5 (5.0)	52.3 (5.4)
Fuel consumption, ² mpg (l/100km) Combined	18" wheels	39.8 (7.1)	50.4 (5.6)	47.1 (6.0)
	19" wheels	39.8 (7.1)	50.4 (5.6)	47.1 (6.0)
ABI insurance group*	TBC	TBC	TBC	TBC
Unladen weight, ³ kg	1650	1690	1730	1795
Gross weight limit, kg	2220	2260	2300	2365
Roof load limit/nose weight, kg	90/80	90/80	90/80	90/80
Max trailer load unbraked, ⁴ kg	750	750	750	750
Max trailer load with 12%/8% gradient, ⁴ kg	1700/1900	1700/1900	1900 /2100	1900/2100
Luggage compartment capacity, litres, seats folded up/down	490/1430	490/1430	490/1430	490/1430
Fuel tank capacity approx, litres	61	61	61	61
Emission standard	EU6	EU6 [^]	EU6 [^]	EU6 [^]

S4 petrol technical data

Depending upon your chosen A4 wheel size, different efficiency figures for CO₂ emissions and fuel consumption will apply (based on EU directive no. 715/2007 effective from 01/09/14). This table is a quick reference guide to assist you in finding the correct values based on wheel sizes and chosen engine.

*Electronically limited.

**Highest insurance group rating shown. Group may be lower dependent on trim level. Please visit www.thatcham.org/abigrouprating for details.

¹The given value was obtained in accordance with the specified measurement procedure (the respective current version of the Directive 80/1269/EEC).

²Fuel consumption and CO₂ emissions figures are obtained under standardised test conditions (Directive 93/116/EEC) using a representative model. This allows direct comparison between different models from different manufacturers, but may not represent the actual fuel consumption achieved in 'real world' driving conditions. More information is available at www.dft.gov.uk/vca

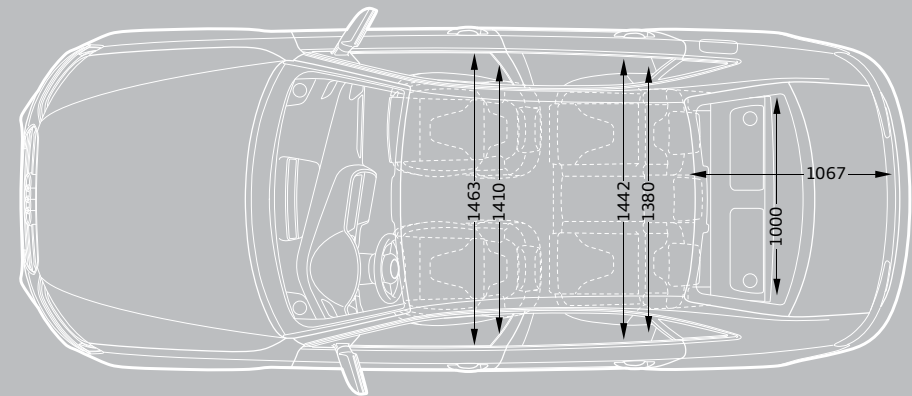
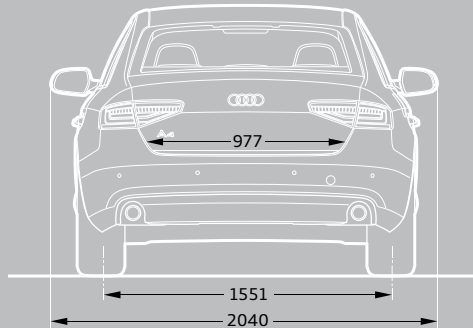
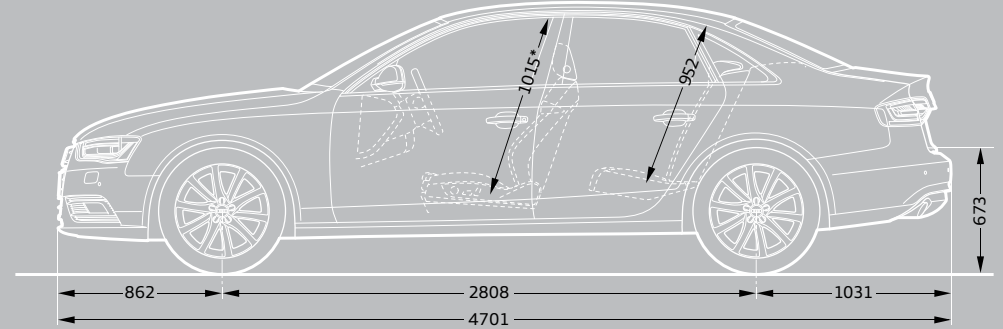
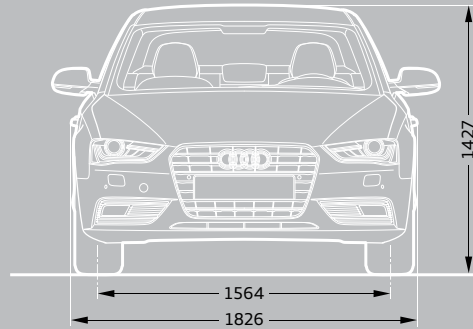
³Vehicle's unladen weight without driver (calculated in accordance with the current version of Directive 80/1268/EEC). The fitting of additional equipment may increase the vehicle's unladen weight and drag coefficient, whereupon the potential carrying capacity and top speed will be correspondingly reduced.

⁴The engine's power output always goes down with increasing altitude. At 1,000m above sea level, and for every additional 1,000m, deduct 10% from the weight of the outfit (trailer load limit + gross weight of the towing vehicle).

		Saloon	Avant
Engine		3.0 TFSI quattro	3.0 TFSI quattro
Transmission		7-speed S tronic	7-speed S tronic
Cylinder		6-cylinder	6-cylinder
Displacement, cubic cm		2995	2995
Max. power, ¹ PS at rpm		333/5500-6500	333/5500-6500
Max. torque, Nm at rpm		440/2900-5300	440/2900-5300
Top speed, mph		155*	155*
0-62mph acceleration, seconds		5.0	5.1
CO ₂ emissions, ² g/km	18" wheels	179	180
	19" wheels	184	185
Benefit in kind (BIK)%	18" wheels	30%	31%
	19" wheels	31%	32%
Fuel consumption, ² mpg (l/100km) Urban	18" wheels	27.7 (10.2)	28.0 (10.1)
	19" wheels	27.4 (10.3)	27.4 (10.3)
Fuel consumption, ² mpg (l/100km) Extra Urban	18" wheels	44.8 (6.3)	44.1 (6.4)
	19" wheels	43.5 (6.5)	42.8 (6.6)
Fuel consumption, ² mpg (l/100km) Combined	18" wheels	36.7 (7.7)	36.2 (7.8)
	19" wheels	35.8 (7.9)	35.3 (8.0)
ABI insurance group**		TBC	TBC
Unladen weight, ³ kg		1705	1750
Gross weight limit, kg		2255	2320
Roof load limit/nose weight, kg		90/80	90/80
Max trailer load unbraked, ⁴ kg		750	750
Max trailer load with 12%/8% gradient, ⁴ kg		1900/2100	1900/2100
Luggage compartment capacity, litres, seats folded up/down		480/962	490/962
Fuel tank capacity approx, litres		61	61
Emission standard		EU6	EU6

A4 Saloon dimensions

The technical drawings opposite show the exact dimensions of the A4 Saloon, so you can check everything – from whether the car will fit in your garage to whether your luggage will fit in the boot.



*Maximum headroom.

Dimensions measured with vehicle at unladen weight, ground clearance measured with vehicle carrying its maximum load.

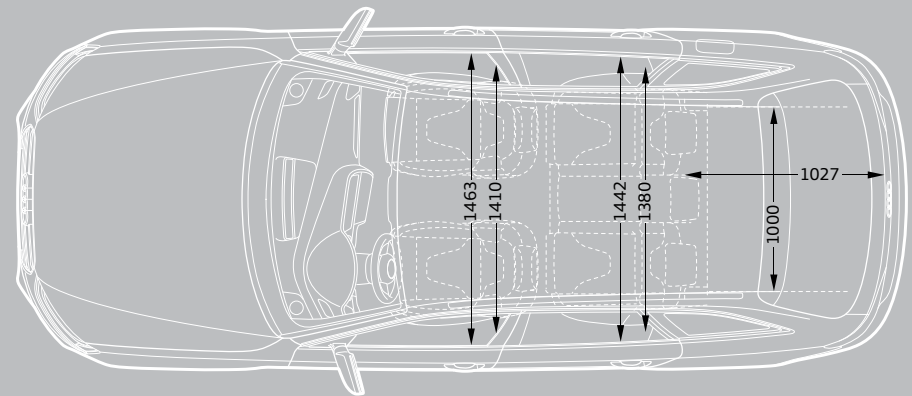
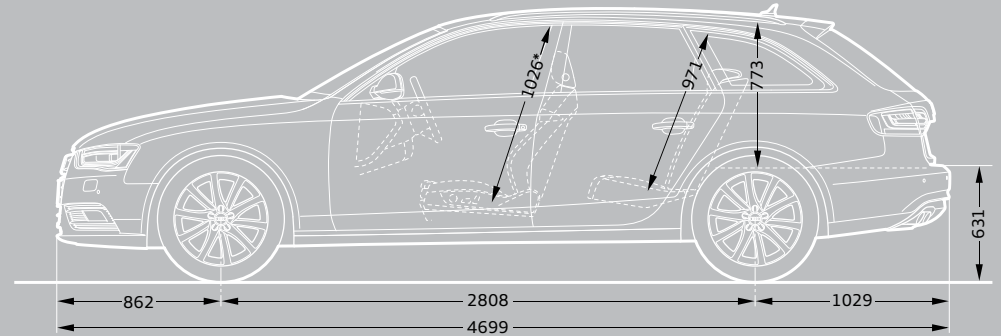
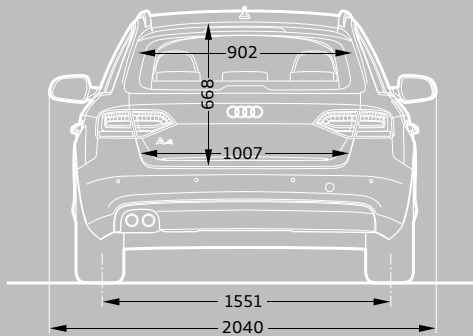
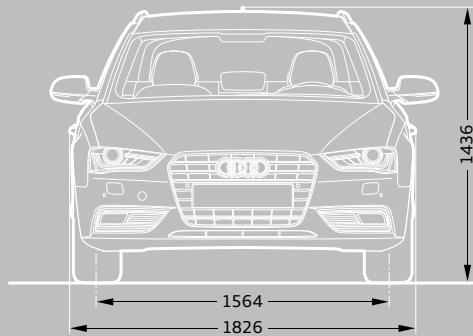
Luggage compartment volume in litres: 480/962 (measured by the VDA standard test method using 200 x 100 x 50mm blocks; second value: with rear seat folded down).

Turning circle approx. 11.4m.

Dimensions in millimetres.

A4 Avant dimensions

The technical drawings opposite show the exact dimensions of the A4 Avant, so you can check everything – from whether the car will fit in your garage to whether your luggage will fit in the boot.



*Maximum headroom.

Dimensions measured with vehicle at unladen weight, ground clearance measured with vehicle carrying its maximum load.

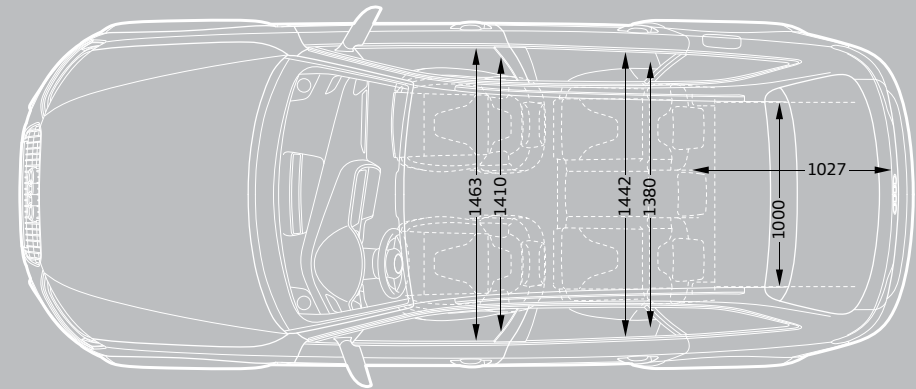
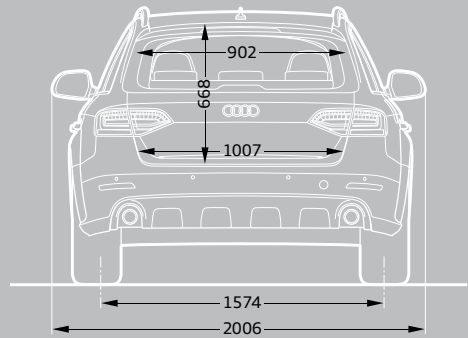
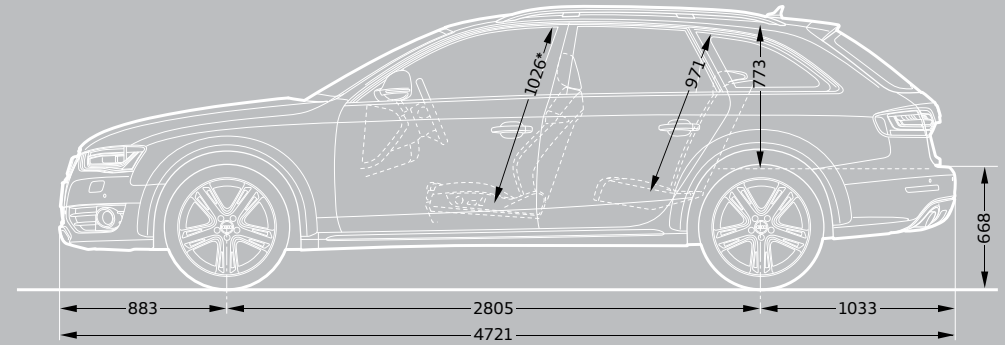
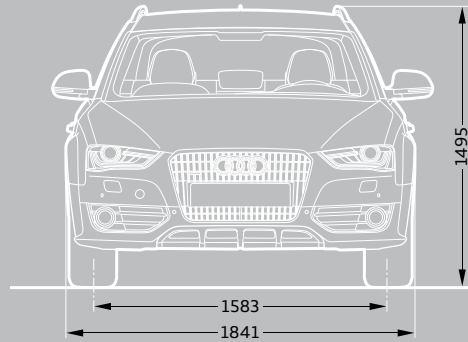
Luggage compartment volume in litres: 490/1430 (measured by the VDA standard test method using 200 x 100 x 50mm blocks; second value: with rear seat folded down).

Turning circle approx. 11.4m.

Dimensions in millimetres.

A4 allroad dimensions

The technical drawings opposite show the exact dimensions of the A4 allroad, so you can check everything – from whether the car will fit in your garage to whether your luggage will fit in the boot.



*Maximum headroom.

Dimensions measured with vehicle at unladen weight, ground clearance measured with vehicle carrying its maximum load.

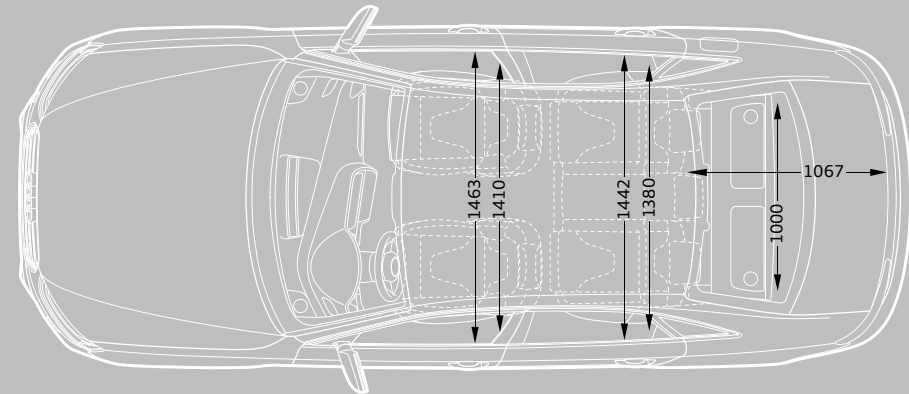
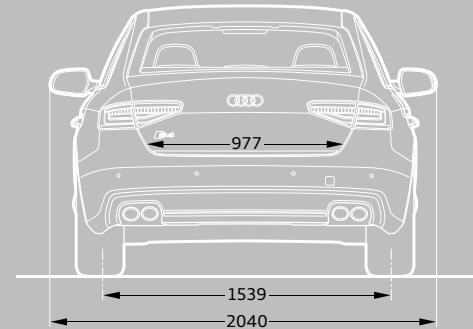
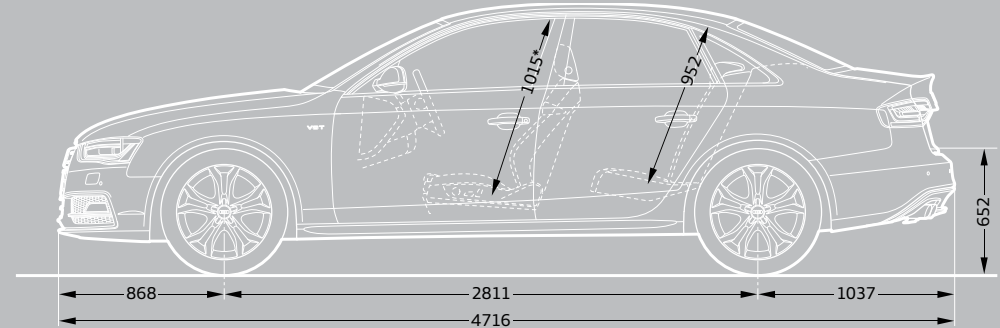
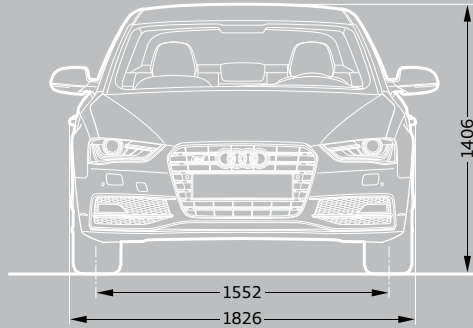
Luggage compartment volume in litres: 490/1430 (measured by the VDA standard test method using 200 x 100 x 50mm blocks; second value: with rear seat folded down).

Turning circle approx. 11.4m.

Dimensions in millimetres.

S4 Saloon dimensions

The technical drawings opposite show the exact dimensions of the S4 Saloon, so you can check everything – from whether the car will fit in your garage to whether your luggage will fit in the boot.



*Maximum headroom.

Dimensions measured with vehicle at unladen weight, ground clearance measured with vehicle carrying its maximum load.

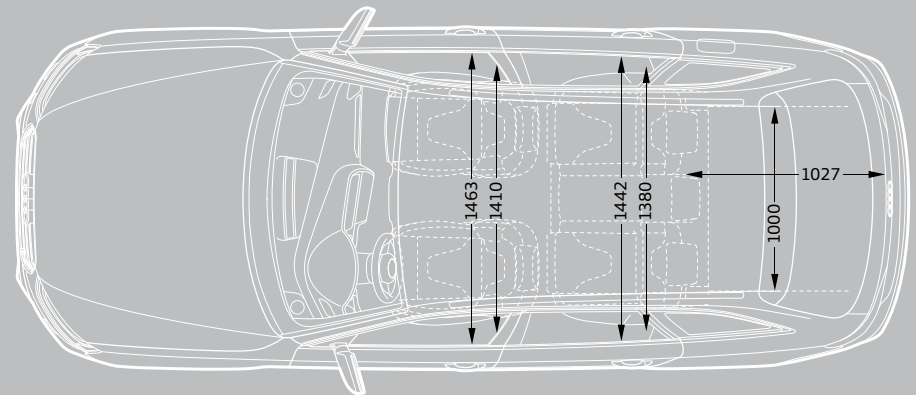
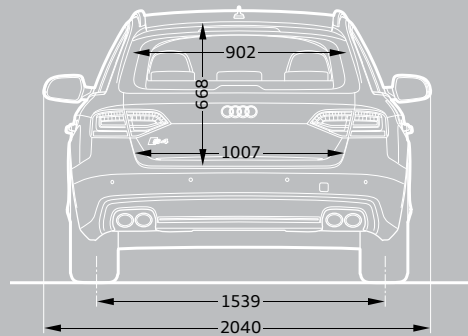
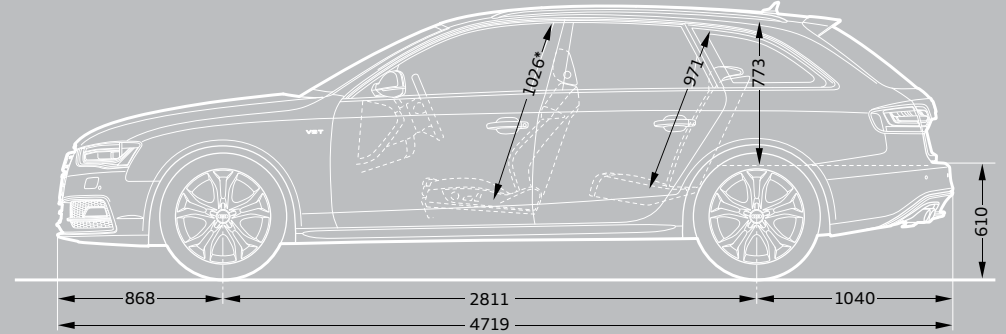
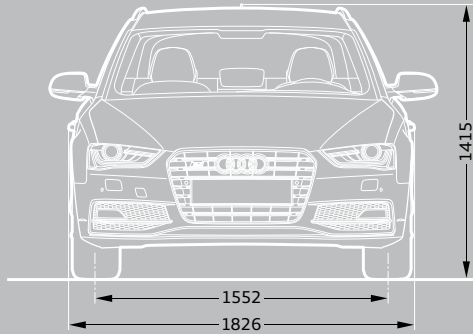
Luggage compartment volume in litres: 480/962 (measured by the VDA standard test method using 200 x 100 x 50mm blocks; second value: with rear seat folded down).

Turning circle approx. 11.4m.

Dimensions in millimetres.

S4 Avant dimensions

The technical drawings opposite show the exact dimensions of the S4 Avant, so you can check everything – from whether the car will fit in your garage to whether your luggage will fit in the boot.



*Maximum headroom.

Dimensions measured with vehicle at unladen weight, ground clearance measured with vehicle carrying its maximum load.

Luggage compartment volume in litres: 490/1430 (measured by the VDA standard test method using 200 x 100 x 50mm blocks; second value: with rear seat folded down).

Turning circle approx. 11.4m.

Dimensions in millimetres.

Pricing and Additional information

Welcome to Audi

By placing an order for your Audi, you're choosing to get behind the wheel of one of the most sophisticated cars on the road. And because we believe the service we offer should be just as advanced, we want to let you know exactly what you can expect from us, now and in the future.

We've agreed a set of standards with all our Centres which governs the way we do business with you. It outlines the kind of service we promise to deliver for every customer, right down to filling each new Audi we sell with half a tank of fuel.

So whether you're interested in the date your car will arrive in the UK or the way we'll dispose of non-biodegradable materials after we service your Audi, you can have total confidence in us.

Audi Promise

Audi Centres

We guarantee that all our Centres will be open as follows:

Sales: Monday to Friday 9am–6pm
Saturday 9am–5pm

Service: Monday to Friday 8am–6pm
Saturday 8.30am–1pm

Sunday opening is at local discretion.

New car delivery

Once we've confirmed a delivery date for your car, we'll keep you informed of progress. Subject to reasonable notice, we'll then deliver it to a place of your choice, whether that's your home or work. In the unlikely event of a delay, we'll provide a courtesy car to minimise inconvenience and keep you mobile.

Environmental commitment

We promise to dispose of all non-biodegradable materials from your vehicle in a responsible manner.

Pricing

Prices and specifications given are correct at the time of printing. Always check details with your Audi Centre as Audi policies are continually developing. We reserve the right to change prices or specifications at any time.

All prices are subject to VAT, currently charged at 20%, but this may alter to reflect any change in the applicable VAT rate.

Delivery charges and number plates are not included in the vehicle price.

Delivery charge	£504.99
Number plate	£20.00
VAT	£105.01
Total	£630.00

Audi Customer Care

Every new Audi benefits from the comprehensive Audi Customer Care Package, which comprises:

- ▶ A 3-year Audi warranty, which covers you for unlimited mileage in the first 2 years of ownership, with a full mechanical and electrical warranty which covers you for up to 60,000 miles in the 3rd year
- ▶ A 3-year paint warranty
- ▶ A 12-year anti-corrosion warranty
- ▶ 3 years' UK roadside assistance and recovery

You also have the option when ordering your new car of choosing a 4-year or 5-year Audi warranty. Speak to a member of the sales team for more information.

Audi tax-free sales

If you are entitled to purchase a vehicle free of VAT, normally through military or diplomatic privilege, please contact your local Audi Centre for full details.

Should you have any difficulty obtaining the information you require, please call 01908 548 356.

Audi Financial Services

Audi Financial Services specialises in providing funding solutions for Audi drivers. Whether your Audi is for private or business use, there is a range of funding options to choose from.

Below is the full range of finance products, which comprises:

- ▶ Solutions – a Personal Contract Plan
- ▶ Hire purchase
- ▶ Lease purchase
- ▶ Finance lease
- ▶ Contract hire

With all products, you can choose a fixed-cost maintenance plan designed to help you budget accurately.

No matter which Audi model you choose, your local Audi Centre can provide you with a personalised quote designed to fit your budget and motoring needs.

Audi Financial Services is a trading name of Volkswagen Financial Services (UK) Limited. An offer of finance depends on certain conditions. Available to people over 18 in the UK only.

Audi Insurance

We want you to start enjoying your new car from day one and thanks to Audi complimentary five day insurance you can. To activate simply call 0330 303 6900, provide us with a few details, and we'll send a cover note to your Audi Centre. They will then tax your car and you can drive it away. Telephone lines are open Monday to Friday 8am – 8pm and Saturday 9am – 4pm. For details of our full range of Insurance products visit insurewithaudi.co.uk

CO2 data and information

CO2 emissions-based Vehicle Excise Duty

Vehicle Excise Duty (Road Fund Licence) is based upon the amount of Carbon Dioxide (CO2) a vehicle emits, measured in grams per kilometre (g/km).

First year VED rates apply to the first year of ownership. Annual VED rates apply thereafter. The DVLA has created thirteen categories:

Petrol and Diesel engines	First year	Annual rate (second year onwards)
A – up to 100g/km	£0.00	£0.00
B – 101 to 110g/km	£0.00	£20.00
C – 111 to 120g/km	£0.00	£30.00
D – 121 to 130g/km	£0.00	£110.00
E – 131 to 140g/km	£130.00	£130.00
F – 141 to 150g/km	£145.00	£145.00
G – 151 to 165g/km	£180.00	£180.00
H – 166 to 175g/km	£295.00	£205.00
I – 176 to 185g/km	£350.00	£225.00
J – 186 to 200g/km	£490.00	£265.00
K – 201 to 225g/km	£640.00	£290.00
L – 226 to 255g/km	£870.00	£490.00
M – over 255g/km	£1,100.00	£505.00

Vehicle Excise Duty (VED) rates correct at time of going to print, but these may alter to reflect any change in the applicable VED rate.





Audi UK

Customer Services
Selectapost 29
Sheffield
S97 3FG
0800 699888
audi.co.uk

Specifications and prices subject
to change without notice.

© Audi UK

Printed in the UK
Edition 7.0 04/15
A4 Saloon and Avant 2015 model year
A4 allroad 2016 model year

Images are for illustrative purposes only.

