



The Audi A5 and S5 Sportback

Pricing and Specification Guide

Valid from February 2015

Personalising your Audi A5 Sportback

This guide has been designed to help you tailor and price your Audi A5 Sportback quickly and logically. At the back, you will find information on CO2 emissions-based taxation and the other services offered by Audi, including Finance and Insurance. You can also configure your Audi A5 Sportback online at audi.co.uk



Get more from this brochure with the free Audi Vision app.

Audi Vision brings our brochures to life through Augmented Reality. It works by recognising images on a page through your device's camera. Suitable for phones or tablets, download it for free from the App Store or Google Play. Once downloaded, simply open the app and scan the cover of your guide. Then look out for any page with the Audi Vision logo, you can then hold your device over the page and watch as you get exclusive access to extra images, information and video content.



The Audi A5 Sportback

Engines	12
Transmissions	13
Efficiency	14
quattro®	16

Model details and prices

Standard model equipment	20
SE model equipment	22
SE Technik model equipment	24
S line model equipment	26
Black Edition Plus model equipment	28
S5 model equipment	30
S5 Black Edition model equipment	32
Model prices	34

Audi exclusive	36
-----------------------	----

Colour and upholstery

Paint	40
Upholstery and seats	44
Colour and trim guide	54

Inlays	58
---------------	----

Options

Wheels, tyres and suspension	62
Packages	66
Audio and communication	68
Interior equipment	70
Exterior equipment	72
Safety and security	74
Steering wheels	76

Looking after your Audi

Audi Complete and warranty	78
Accessories	81
Merchandise	82
Audi Difference	83

Technical details

Technical data	84
Dimensions	87
Pricing and Additional information	89





Vorsprung durch Technik

Three words that express the very essence of Audi. Vorsprung durch Technik isn't a slogan. It's our way of seeing the world. It is the driving force behind our history of innovation that continues into the 21st century. Indeed, many technologies that Audi pioneered remain in our cars today. Some are milestones in the history of the motorcar.

From our beginnings in 1899, to the Auto Union team's Grand Prix successes in the 1930s and our more recent wins at Le Mans, we have always been at the forefront of the motor industry.

Vorsprung durch Technik makes us who we are. To see more of its influence, just read on.





The Audi A5 Sportback: think of it as a coupé with more doors

It's the first mid-size Sportback in the Audi range, an exciting milestone in design. But even in a pioneer like the Audi A5 Sportback, it's rare to find such a balance of different qualities. Its elegant lines and accentuated wheel arches are influenced heavily by the iconic A5 Coupé, while it provides the comfort and practicality of a larger family car.









A5 Sportback interior story

We've introduced a number of finishing touches to the Audi A5 Sportback interior to make your driving experience both comfortable and unique. You'll find an impressive attention to detail in everything from the Driver's Information System with energy-saving tips, to the optional luxurious leather seating, which means that every journey you make will be a personal one.

Engines

Petrol

TFSI® direct-injection technology is a unique Audi innovation that includes supercharging, which combines FSI® technology with forced induction – giving cars an extra injection of power and torque. It also delivers enhanced fuel efficiency as precisely the right amount of fuel and air are injected into the combustion chambers, enabling the engine to ‘breathe’ more easily. It results in reduced heat loss and increased output, with around a 15% reduction in fuel consumption and significantly lower exhaust emissions.

Diesel

We introduced TDI® to the roads in 1989, and since then, we’ve continuously refined it, including developing common-rail technology. Under this system, a series of piezo injectors use electrical charge to precisely control the amount of fuel injected into the engine. As well as reducing noise, this allows combustion to happen at a lower temperature, with less oxygen, which lowers emissions.





Transmissions

multitronic®

Translating a driver's preferences and intentions into road performance, the multitronic® transmission system entertains no compromises – whether in terms of dynamism, convenience or economy. multitronic® automatic transmission is available on models without quattro® permanent all-wheel-drive. A continuously variable transmission, multitronic® can transmit up to 400 Nm of torque and permits an exceptionally wide range of gear ratios. The result is smooth, powerful acceleration and a high level of driving comfort. And thanks to its lightweight design and a number of advanced electronic control systems that monitor gradient, road conditions and the way the driver is using the accelerator pedal, multitronic® also plays an instrumental role in reducing fuel consumption.

S tronic®

Driving is all about thinking ahead, which is just what the S tronic® dual-clutch transmission does. It works almost as two separate systems, one engaging the odd-numbered and the other the even-numbered gears. So when you're accelerating in second, it has third gear waiting for you. And once you make the switch, it's already thinking about fourth. With two clutches working together, you can change gears almost instantly while experiencing smooth, uninterrupted power.

Efficiency

At Audi, doing less is something we're trying to do more of. We're working to use less fuel, release less CO₂ and waste less energy. It's why we've incorporated a number of more efficient technologies into the Audi A5 Sportback.

Automatic Start-Stop function

In heavy traffic, your car still uses fuel and releases CO₂, even when it's stationary. The automatic Start-Stop function counteracts this problem by switching off the engine when your car comes to a standstill. As soon as you touch the clutch, the car restarts. In conjunction with TDI® and TFSI®, it helps save up to 0.4 litres of fuel every 100km.

TDI® and TFSI®

Inside the engine of the Audi A5 Sportback you'll find the same advanced fuel-injection technology that's driven us to win after win at Le Mans. With TDI® and TFSI®, fuel is injected directly into the engine's chambers so that combustion is timed right down to the millisecond. As a result, waste is minimised and you get the most from every last drop of fuel.





Audi ultra

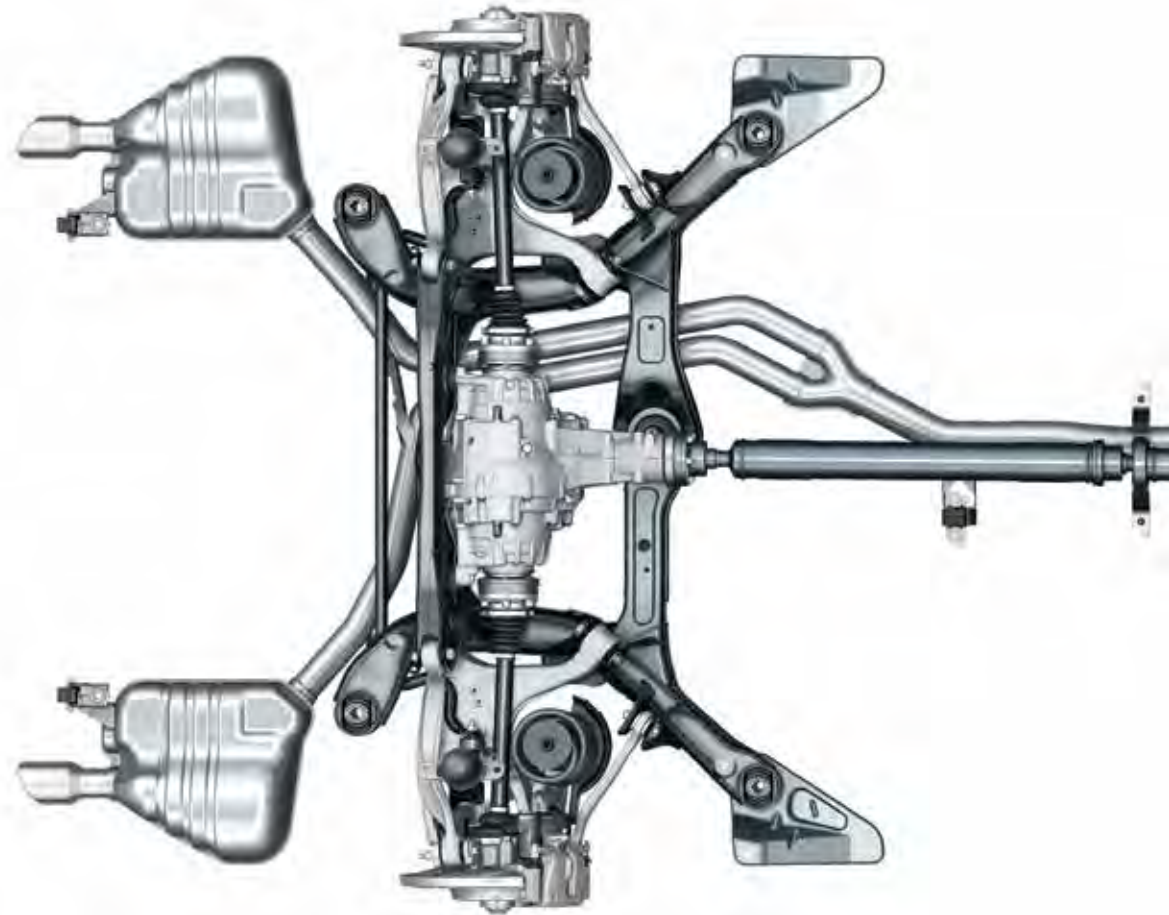
Audi ultra brings together specialist Audi knowledge and the latest innovations to create our most optimised models yet. As a result the Audi A5 ultra delivers the lowest CO₂ emissions and fuel consumption in the A5 Sportback range.

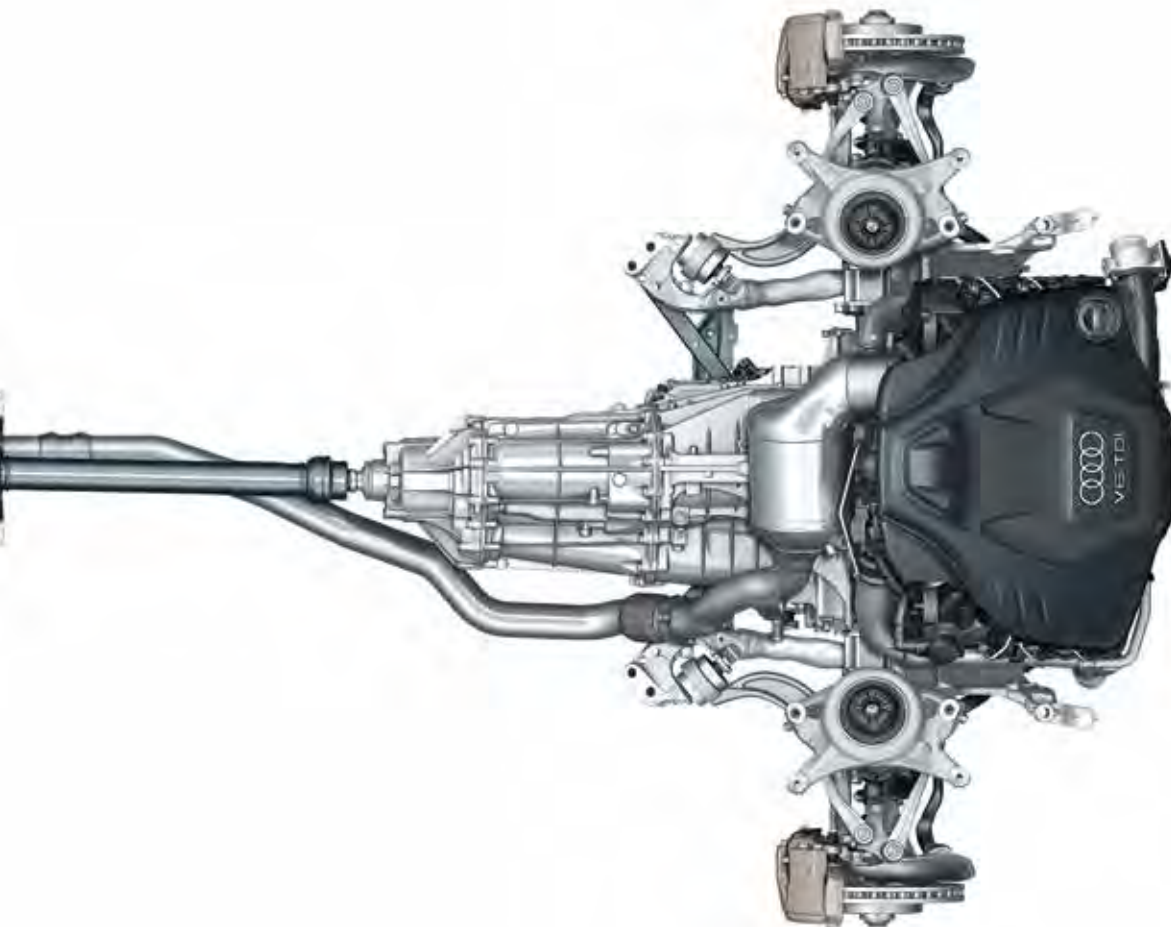
Recuperation

When a vehicle brakes, the discs convert the kinetic energy into thermal energy, which is wasted as it cannot be used. With a recuperation system like the one in the Audi A5 Sportback, the kinetic energy is converted into useful electrical energy. The way it works is simple. While the car is coasting or braking, the alternator voltage is raised above the level of the basic electrical system, which enables the alternator to generate electrical energy and store it temporarily in the battery. When the vehicle accelerates, this energy is used to relieve the load on the alternator, resulting in a fuel saving of up to 3%.

quattro®

It's the technology that has given Audi the edge on the racetrack ever since it was first introduced over 30 years ago – a technology that delivers ultimate control whilst enhancing the sporty characteristics which make the Audi A5 Sportback so thrilling to drive. It's called quattro® permanent all-wheel-drive. The principle is simple: in the same way that four brakes ensure better deceleration, four permanently-driven wheels deliver better acceleration and road-holding, pushing or pulling the car as needed, for a driving experience that's both dynamic and safe.





In the Audi A5 Sportback, asymmetric dynamic torque distribution continuously distributes drive power between the front and rear axles, depending on weather conditions, road surface and gradient. This leads to greater flexibility and an enhanced, sportier drive.

quattro® with Sports differential

The optional electronically regulated Sports differential distributes variable amounts of drive force to each rear wheel, ensuring outstanding acceleration performance in corners and stabilising the vehicle's response to load change. It also brings better direct steering characteristics and, as it requires less steering effort, more agile handling.





Standard model equipment

All A5 Sportback models have the following items of standard equipment

Engine

Automatic Start-Stop function for greater fuel and CO₂ efficiency

Recuperation for optimal energy utilisation

Misfuelling inhibition for diesel engines

Diesel Particulate Filter (DPF) for diesel engines

Wheels, tyres and suspension

17" x 7.5J '6-arm' design alloy wheels with 225/50 R17 tyres. TDI ultra models feature low rolling resistance tyres

Locking wheel bolts

Space-saver spare wheel

Audio and communication

Audi Concert radio which includes:

- Single CD drive and SDHC memory card reader which are both MP3, WMA and AAC compatible

- 6.5" colour centre display with MMI operating logic

- AUX-IN connection

- TP memo – automatically saves traffic news when driving

DAB digital radio reception – integrated into MMI, receives digitally-transmitted radio stations in addition to the range of analogue stations.

Displays music track, artist and radio program.

Capable of 'DAB slideshow' where transmitted.

Reception dependent on local digital network.

Automatic switch from DAB to FM reception if the network signal is not strong enough

8 speakers (80 Watts)

Seats

Split-folding rear seat with 3 head restraints and 3 rear seat belts

Arcade cloth upholstery

Safety and security

Electronic Stability Programme (ESP) including electronic limited-slip differential on front-wheel-drive models

First aid kit

Front and rear fog lights

ISOFIX child seat mounting – for front passenger (with airbag deactivation) and outer rear seats. Including Top Tether attachment point for the outer rear seats

Full-size airbags for driver and front passenger

Front side airbags

Head-level side airbags at front and rear

Halogen headlights with electric headlight range control and daytime running lights

Light and rain sensor – automatically switches the dipped beam headlights and windscreen wipers on/off depending on the light and rain conditions. Also includes coming home/leaving home function which delays the deactivation of the front and rear lights after locking and automatic activation of the lights when unlocking

Rest recommendation system – analyses driving behaviour based on steering, pedals and gear lever movements. If the system detects a change in driving patterns it can, via audio and visual effects, notify the driver of the possible need to take a rest

Thatcham Category 1 alarm and immobiliser

Toolkit and car jack

Warning triangle

Tyre pressure loss indicator. Visual and acoustic warning if the pressure drops in one or more tyres



17" x 7.5J '6-arm' design alloy wheels



Audi Concert radio

Interior equipment

1-zone climate control

3-spoke leather steering wheel

Auto-dimming rear view mirror

Cruise control

Driver's Information System (DIS)
with energy-saving tips and gear-shift indicator

Electric front and rear windows

Electromechanical parking brake

Front and rear floor mats

Intelligent key

Interior chrome package

Inlays in Micrometallic silver

Steering column adjustment for
rake and reach

Electromechanical power steering

Cup holder in centre console

Exterior equipment

Auto-opening boot lid

Exterior mirrors – electrically operated
and heated

Chrome rolled exhaust pipes – 4-cylinder diesel
models have two exhaust pipes on the left-hand
side, all others have one exhaust pipe on either side

Exterior aluminium package

Single frame radiator grille



Split-folding rear seat*



LED high-level brake light

*Image shown also includes optional Milano leather, available at an additional cost.

SE model equipment

In addition to Standard model equipment

Basic RRP
£1,475.00

Total RRP inc VAT
£1,770.00

Wheels, tyres and suspension

17" x 7.5J '5-arm' design alloy wheels with 225/50 R17 tyres

Audio and communication

Audi sound system speaker package with 10 speakers including subwoofer (180 Watts)

Mobile phone preparation – Bluetooth interface

Safety and security

Audi parking system plus – aids parking by acoustically and graphically indicating distances to obstacles in front of and behind your A5 Sportback

Seats

Heated front seats – with 3-stage heating control
Milano leather upholstery

Interior equipment

3-spoke leather multi-function steering wheel (paddle shift for automatic models)

Driver's Information System (DIS) in colour with energy-saving tips and rest recommendations. Shows the radio station or track title, telephone control, menu and other display information from the infotainment system such as navigation (if fitted). Also includes an on-board trip computer with short and long-term trip memory, outside temperature display, digital speedometer and door or boot open warning

Deluxe 3-zone climate control with separate air distribution and digital display for driver and front passenger. System includes air-conditioning controls in the rear centre console for rear passenger compartment

Front centre armrest including 2 x 12V power sockets



17" x 7.5J '5-arm' design alloy wheels



3 spoke leather multi-function steering wheel



Colour Driver's Information System (DIS) with rest recommendation



Deluxe 3-zone climate control



Image shows the A5 Sportback SE model with optional Glacier white, metallic paint (2Y), 18" '5 V-spoke' design alloy wheels (PRM), Electric slide-and-tilt sunroof (3FE) and Xenon Plus headlights with daytime running lights (PX1)

SE Technik equipment

In addition to SE model equipment

Basic RRP
£1,125.00

Total RRP inc VAT
£1,350.00

Wheels, tyres and suspension

18" x 8J '10-spoke' exclusive design alloy wheels

Audio and communication

Audi Music Interface – connection for use with stereo audio sources, USB and MP3 devices including Apple iPod generation 4 onwards and Apple iPhone

MMI Navigation system plus. Hard disk navigation with topographical map display, places of interest and town models in 3D, with high-resolution 7" colour TFT display. The system offers three alternative routes, with the ability to scroll along the selected route and manoeuvre within the map. Uses 7-digit postcode recognition. Includes split-screen mode for route information, dynamic route guidance (TMC), intersection zoom function, motorway exits and lane recommendations in Driver's Information System (DIS). Includes 2 SD card readers, single CD/DVD player, 40GB hard drive and Jukebox (20GB) for storing and managing music files in WMA and MP3 format. Includes European navigation data (where digitised)

Additional functionality is available when combined with optional Mobile telephone preparation – High with Audi Connect (9ZW). For more details please see option 9ZW, featured in the options section of the guide.



Satellite Navigation system – HDD-based



18" x 8J '10-spoke' exclusive design alloy wheels



Audi Music Interface



Image shows the A5 Sportback SE Technik model with optional Ice silver, metallic paint (P5) and Xenon Plus headlights with daytime running lights (PX1)

S line model equipment

In addition to SE model equipment

Basic RRP
£2,491.67

Total RRP inc VAT
£2,990.00

Wheels, tyres and suspension

18" x 8.5J '5-double-spoke' design alloy wheels with 245/40 R18 tyres

Sports suspension with stiffer spring settings and shock absorbers, 20mm lower than standard suspension (S line Sports suspension available at no charge)

Interior equipment

3-spoke S line multi-function steering wheel (paddle shift for automatic models)

Black headlining

Matt-brushed aluminium inlays

Perforated leather gear knob

S line sill plates

Audio and communication

MMI Navigation system plus. Hard disk navigation with topographical map display, places of interest and town models in 3D, with high-resolution 7" colour TFT display. The system offers three alternative routes, with the ability to scroll along the selected route and manoeuvre within the map. Uses 7-digit postcode recognition. Includes split-screen mode for route information, dynamic route guidance (TMC), intersection zoom function, motorway exits and lane recommendations in Driver's Information System (DIS). Includes 2 SD card readers, single CD/DVD player, 40GB hard drive and Jukebox (20GB) for storing and managing music files in WMA and MP3 format. Includes European navigation data (where digitised)

Additional functionality is available when combined with optional Mobile telephone preparation – High with Audi Connect (9ZW). For more details please see option 9ZW, featured in the options section of the guide

Seats

Front Sports seats with electric lumbar support

Fine Nappa leather upholstery with S line embossing

Exterior equipment

Rear LED lights

S line exterior styling package including:

- S line side skirts
- S line bumper
- S line rear diffuser
- S line badges on wings

Xenon Plus headlights with LED daytime running lights



18" x 8.5J '5-double-spoke' design alloy wheels



3-spoke S line multi-function steering wheel



Satellite Navigation system – HDD-based



Xenon Plus headlights with LED daytime running lights



Image shows the A5 Sportback S line model with optional Monsoon grey, metallic paint (0C)

Black Edition Plus model equipment

In addition to S line model equipment

Basic RRP
£1,250.00

Total RRP inc VAT
£1,500.00

Wheels, tyres and suspension

19" x 9J '10-Y-spoke' design gloss black finish alloy wheels with 255/35 R19 tyres

Audio and communication

Audi Music Interface – connection for use with stereo audio sources, USB and MP3 devices including Apple iPod generation 4 onwards and Apple iPhone

Bang & Olufsen sound system, 14 high-performance speakers and two amplifiers which create 505 Watts of stunning surround sound, balanced to suit the specific acoustic properties of the car's interior

Interior equipment

3-spoke flat-bottom multi-function steering wheel (paddle shift for automatic models)

Piano finish black inlays

Stainless steel pedals (only available on automatic models)

Exterior equipment

Black styling package – includes radiator grille frame and radiator grille struts in high-gloss black, fog light surrounds in the side ventilation grille in high-gloss black, radiator grille in matt black, front side grills in matt black, number plate holder in matt black, window capping strips and side profile roof trim strip in high-gloss black

Privacy glass – dark tinted from B-pillar backwards

Gloss black exterior mirror housings*

Enhanced rear spoiler on the luggage compartment lid

Dynamic front bumper with large air inlets and blade in high-gloss black

Side sill trims and diffuser frame in high-gloss black



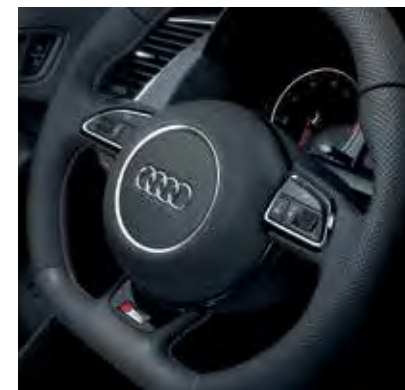
19" x 9J '10-Y-spoke' design gloss black alloy wheels



Bang & Olufsen sound system



Piano finish black inlays



3-spoke flat-bottom multi-function steering wheel



Image shows the A5 Sportback Black Edition Plus model with optional Misano red, metallic paint (N9)



S5 Sportback model equipment in addition to SE model equipment

One look at its muscular body styling, 19" alloy wheels and subtle S5 badging, and it'll come as no surprise that the Audi S5 Sportback features a powerful 3.0-litre TFSI V6 engine, capable of taking you from 0 to 62mph in 5.1 seconds. And from the comfort and stability of a stylish Fine Nappa leather Super Sports seat, you can sit back and enjoy every single unit of this engine's 333PS capability – not to mention the safety and security of quattro permanent all-wheel-drive.

Wheels, tyres and suspension

19" x 8.5J '5-parallel-spoke' design alloy wheels with 255/35 R19 tyres
'S' Sports suspension

Safety and security

'S' model enhanced braking system

Interior equipment

3-spoke 'S' Sports multi-function leather steering wheel with paddle shift and contrasting stitching

Aluminium scuff plates with S5 logo

Black headlining

Interior lighting package – includes front and rear footwell lighting, active door reflectors, illuminated vanity mirrors, rear reading lights, entrance lights and illuminated glove compartment, vents and internal door controls

Inlays in matt-brushed aluminium

'S' instrument dials

Seats

Fine Nappa leather upholstery

Leather door armrests

S5 Sportback Super Sports seats with electric adjustment and lumbar support

4 seats in total with 2 head restraints and 2 rear seat belts

Exterior equipment

Aluminium-effect door mirror housings

Exhaust pipes – twin on left- and right-hand side in chrome rolled finish

Painted brake calipers with S5 logo

'S' body styling

'S' radiator grille in Platinum grey with S5 logo

Xenon Plus headlights with LED daytime running lights and LED rear lamps



19" x 8.5J '5-parallel-spoke' design alloy wheels



'S' instrument dials



'S' radiator grille in Platinum grey with S5 logo



S5 Sportback Super Sports seats





Black Edition

**S5 Sportback quattro
Black Edition
model equipment –
in addition to S5 Sportback
model equipment**

Basic RRP
£895.83

Total RRP inc VAT
£1,075.00

Wheels, tyres and suspension

19" x 9J '5-arm Rotor' design titanium finish alloy wheels with 255/35 R19 tyres

Audio and communication

Audi Music Interface – connection for use with stereo audio sources, USB and MP3 devices including Apple iPod generation 4 onwards and Apple iPhone

Bang & Olufsen sound system, 14 high-performance speakers and two amplifiers which create 505 Watts of stunning surround sound, balanced to suit the specific acoustic properties of the car's interior

Interior equipment

3-spoke flat-bottom multi-function steering wheel (paddle shift for automatic models)

Piano finish black inlays

Exterior equipment

Black styling package – includes radiator grille frame and radiator grille struts in high-gloss black, fog light surrounds in the side ventilation grille in high-gloss black, radiator grille in matt black, front side grills in matt black, number plate holder in matt black, window capping strips and side profile roof trim strip in high-gloss black

Privacy glass – dark tinted from B-pillar backwards



19" x 9J '5-arm Rotor' design titanium finish alloy wheels



Bang & Olufsen sound system



A5 Sportback Standard

Engines	Power	Transmissions	CO ₂ g/km	Basic RRP	Total RRP inc VAT	Recommended OTR
1.8 TFSI	170PS	6-speed manual	136	£21,670.83	£26,005.00	£26,780.00
1.8 TFSI	170PS	multitronic	136	£22,904.17	£27,485.00	£28,260.00
2.0 TDI ultra	136PS	6-speed manual	109	£23,250.00	£27,900.00	£28,545.00
2.0 TDI	150PS	multitronic	127	£24,545.83	£29,455.00	£30,100.00
2.0 TDI	177PS	6-speed manual	120	£23,670.83	£28,405.00	£29,050.00
2.0 TDI	177PS	multitronic	127	£24,904.17	£29,885.00	£30,530.00

A5 Sportback SE

Engines	Power	Transmissions	CO ₂ g/km	Basic RRP	Total RRP inc VAT	Recommended OTR
1.8 TFSI	170PS	6-speed manual	136	£23,145.83	£27,775.00	£28,550.00
1.8 TFSI	170PS	multitronic	136	£24,379.17	£29,255.00	£30,030.00
2.0 TFSI quattro	225PS	6-speed manual	152	£27,029.17	£32,435.00	£33,260.00
2.0 TFSI quattro	225PS	7-speed S tronic	155	£28,262.50	£33,915.00	£34,740.00
2.0 TDI ultra	136PS	6-speed manual	109	£24,725.00	£29,670.00	£30,315.00
2.0 TDI	150PS	multitronic	127	£26,020.83	£31,225.00	£31,870.00
2.0 TDI	177PS	6-speed manual	120	£25,145.83	£30,175.00	£30,820.00
2.0 TDI quattro	177PS	6-speed manual	134	£26,416.67	£31,700.00	£32,475.00
2.0 TDI	177PS	multitronic	127	£26,379.17	£31,655.00	£32,300.00
2.0 TDI quattro	177PS	7-speed S tronic	139	£27,650.00	£33,180.00	£33,955.00

Please note: The maximum power output figures are quoted in PS (or Pferdestärke, which is the metric equivalent of brake horsepower). To convert to brake horsepower, divide the PS figure by 1.0139.

Recommended On-The-Road (OTR) retail prices include: delivery charge, half a tank of fuel, number plates at £590.00 (inc. VAT), Road Fund Licence (which may vary depending on model/transmission – see page 90 for details) and first registration fee at £55.00.

RRP – Recommended Retail Price. VAT is calculated at 20% but this may alter to reflect any change in the applicable VAT rate.

A5 Sportback SE Technik

Engines	Power	Transmissions	CO ₂ g/km	Basic RRP	Total RRP inc VAT	Recommended OTR
1.8 TFSI	170PS	6-speed manual	136	£24,270.83	£29,125.00	£29,900.00
1.8 TFSI	170PS	multitronic	136	£25,504.17	£30,605.00	£31,380.00
2.0 TFSI quattro	225PS	6-speed manual	152	£28,154.17	£33,785.00	£34,610.00
2.0 TFSI quattro	225PS	7-speed S tronic	155	£29,387.50	£35,265.00	£36,090.00
2.0 TDI ultra	136PS	6-speed manual	109	£25,850.00	£31,020.00	£31,665.00
2.0 TDI	150PS	multitronic	127	£27,145.83	£32,575.00	£33,220.00
2.0 TDI	177PS	6-speed manual	120	£26,270.83	£31,525.00	£32,170.00
2.0 TDI quattro	177PS	6-speed manual	134	£27,541.67	£33,050.00	£33,825.00
2.0 TDI	177PS	multitronic	127	£27,504.17	£33,005.00	£33,650.00
2.0 TDI quattro	177PS	7-speed S tronic	139	£28,775.00	£34,530.00	£35,305.00

A5 Sportback S line

Engines	Power	Transmissions	CO ₂ g/km	Basic RRP	Total RRP inc VAT	Recommended OTR
1.8 TFSI	170PS	6-speed manual	136	£25,637.50	£30,765.00	£31,540.00
1.8 TFSI	170PS	multitronic	136	£26,870.83	£32,245.00	£33,020.00
2.0 TFSI quattro	225PS	6-speed manual	152	£29,520.83	£35,425.00	£36,250.00
2.0 TFSI quattro	225PS	7-speed S tronic	155	£30,754.17	£36,905.00	£37,730.00
2.0 TDI ultra	136PS	6-speed manual	109	£27,216.67	£32,660.00	£33,305.00
2.0 TDI	150PS	multitronic	127	£28,512.50	£34,215.00	£34,860.00
2.0 TDI	177PS	6-speed manual	120	£27,637.50	£33,165.00	£33,810.00
2.0 TDI quattro	177PS	6-speed manual	134	£28,908.33	£34,690.00	£35,465.00
2.0 TDI	177PS	multitronic	127	£28,870.83	£34,645.00	£35,290.00
2.0 TDI quattro	177PS	7-speed S tronic	139	£30,141.67	£36,170.00	£36,945.00
3.0 TDI	204PS	multitronic	129	£30,637.50	£36,765.00	£37,410.00
3.0 TDI quattro	245PS	7-speed S tronic	149	£33,454.17	£40,145.00	£40,935.00

A5 Sportback Black Edition Plus

Engines	Power	Transmissions	CO ₂ g/km	Basic RRP	Total RRP inc VAT	Recommended OTR
1.8 TFSI	170PS	6-speed manual	136	£26,887.50	£32,265.00	£33,040.00
1.8 TFSI	170PS	multitronic	136	£28,120.83	£33,745.00	£34,520.00
2.0 TFSI quattro	225PS	6-speed manual	152	£30,770.83	£36,925.00	£37,750.00
2.0 TFSI quattro	225PS	7-speed S tronic	155	£32,004.17	£38,405.00	£39,230.00
2.0 TDI	150PS	multitronic	127	£29,762.50	£35,715.00	£36,360.00
2.0 TDI	177PS	6-speed manual	120	£28,887.50	£34,665.00	£35,310.00
2.0 TDI quattro	177PS	6-speed manual	134	£30,158.33	£36,190.00	£36,965.00
2.0 TDI	177PS	multitronic	127	£30,120.83	£36,145.00	£36,790.00
2.0 TDI quattro	177PS	7-speed S tronic	139	£31,391.67	£37,670.00	£38,445.00
3.0 TDI	204PS	multitronic	129	£31,887.50	£38,265.00	£38,910.00
3.0 TDI quattro	245PS	7-speed S tronic	149	£34,704.17	£41,645.00	£42,435.00

S5 Sportback

Engine	Power	Transmission	CO ₂ g/km	Basic RRP	Total RRP inc VAT	Recommended OTR
3.0 TFSI quattro	333PS	7-speed S tronic	179	£34,895.83	£41,875.00	£42,865.00

S5 Sportback Black Edition

Engine	Power	Transmission	CO ₂ g/km	Basic RRP	Total RRP inc VAT	Recommended OTR
3.0 TFSI quattro	333PS	7-speed S tronic	179	£35,791.67	£42,950.00	£43,940.00

Please note: The maximum power output figures are quoted in PS (or Pferdestärke, which is the metric equivalent of brake horsepower). To convert to brake horsepower, divide the PS figure by 1.0139.

Recommended On-The-Road (OTR) retail prices include: delivery charge, half a tank of fuel, number plates at £590.00 (inc. VAT), Road Fund Licence (which may vary depending on model/transmission – see page 90 for details) and first registration fee at £55.00.

RRP – Recommended Retail Price. VAT is calculated at 20% but this may alter to reflect any change in the applicable VAT rate.





Audi exclusive

Every Audi is intrinsically exclusive. It's the breathtaking design, the exceptional engineering, the Vorsprung durch Technik. But for that special touch you can specify your new A5 Sportback with options from Audi exclusive. Whether you want a unique, custom-mixed paint colour or seats in a combination of complementary shades, Audi exclusive will enable you to drive the car you've always imagined.

Both the exclusive and standard options can be found on the following pages.

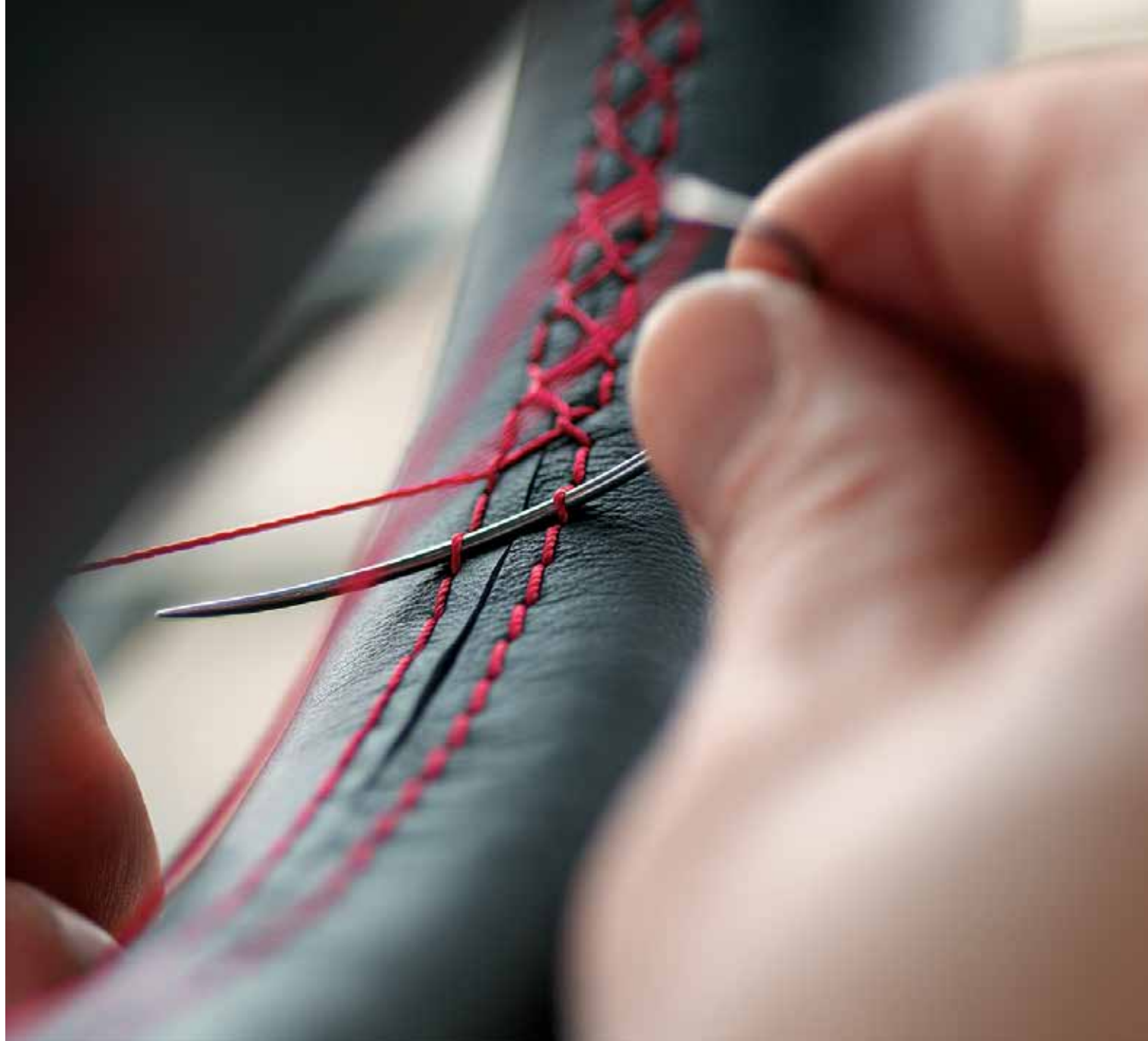




Audi exclusive line

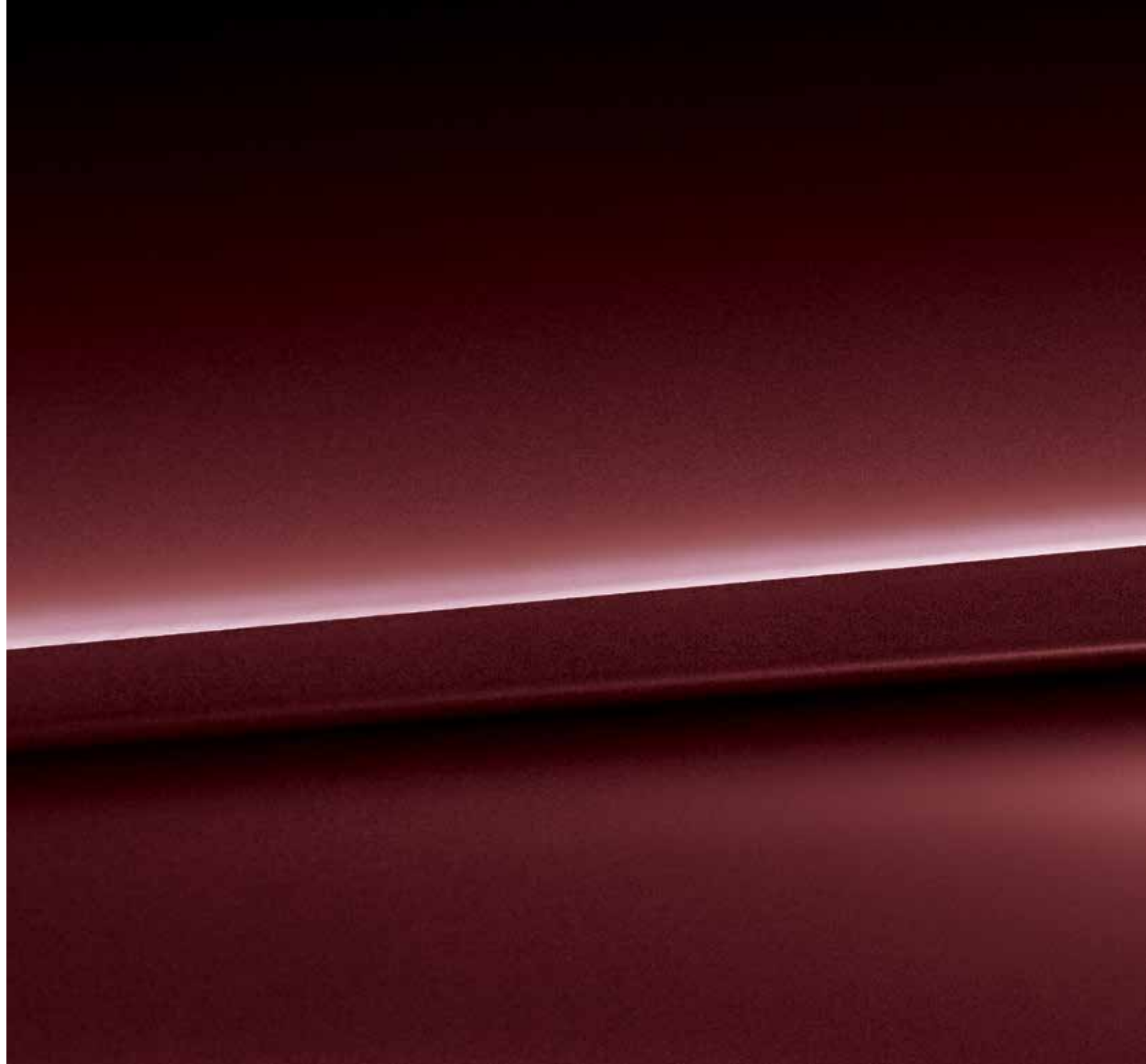
There are a number of ways to customise your car's interior with the Audi exclusive range. And if you'd like us to help you choose, we've put the most popular elements of the range together into one harmonious package – the Audi exclusive line.

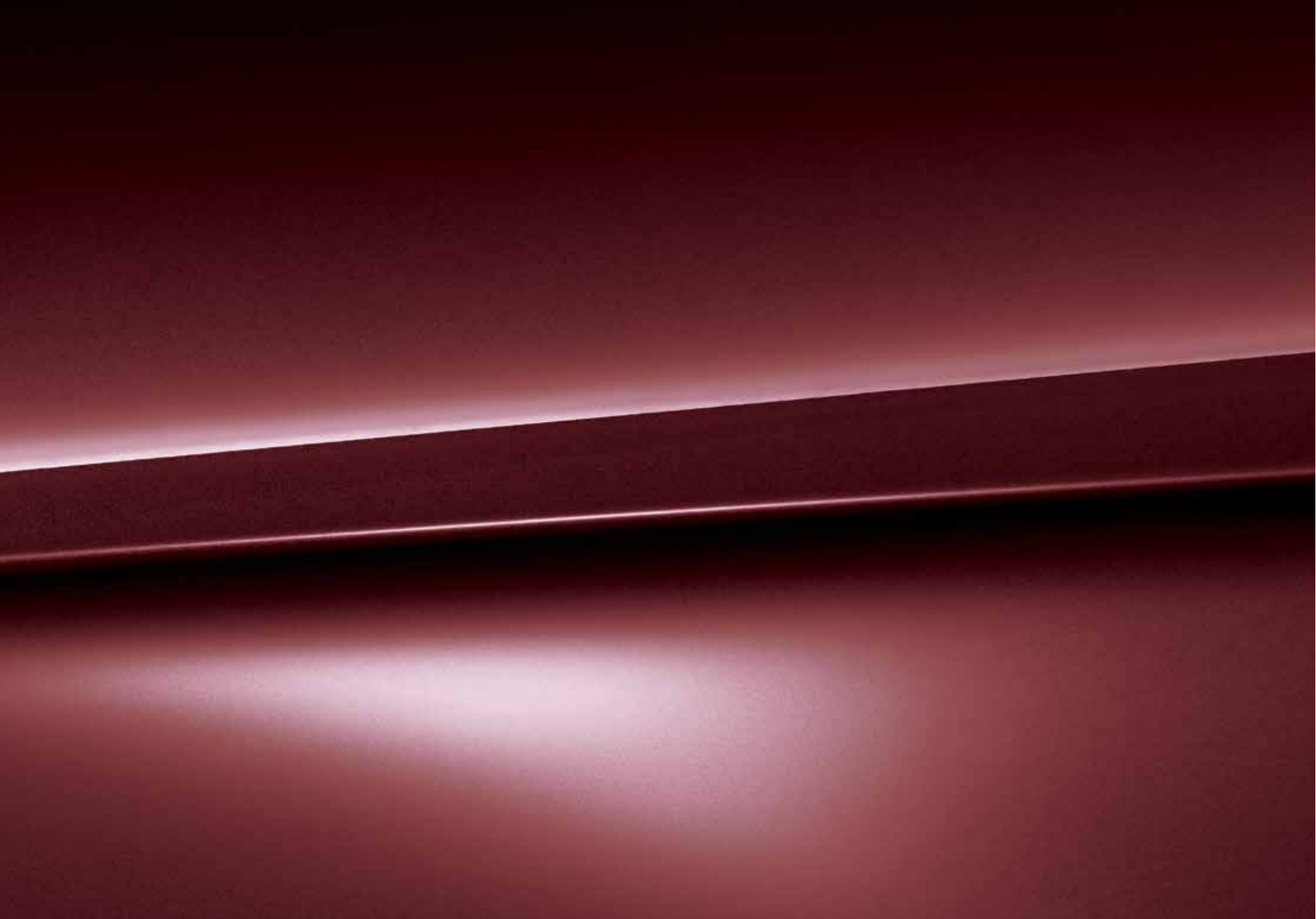
With experience over more than 20 years, our expert designers understand which elements work well together. From high-quality Fine Nappa leather seats to Audi exclusive door sill trims, every detail has been chosen to truly enhance your drive.



Paint

We believe that every part of your car should have a personal touch. Which is why you can choose from a wide range of paint colours and finishes, from standard shades to metallic and pearl effects. We can even mix a customised colour for you to create the perfect fit.





Paint

Standard and optional colours

You can select the standard Ibis white, Brilliant red or Brilliant black colours shown opposite or, for a different look, choose from the range of optional finishes.

Options are subject to availability and may extend delivery.

All the colour swatches on this page are matched as accurately as possible to the actual paint colours used. However, due to print processes, Audi UK cannot guarantee that colours shown are 100% accurate.

Visit your local Audi Centre for a more accurate colour swatch.

*Not available on S5 Sportback.

†Not available on Black Edition Plus models.

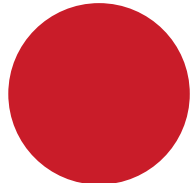
RRP – Recommended Retail Price.

VAT is calculated at 20% but this may alter to reflect any change in the applicable VAT rate.

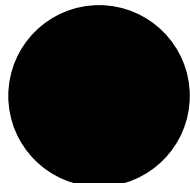
Standard colours



Ibis white – T9

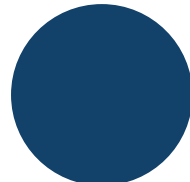


Brilliant red – C8**

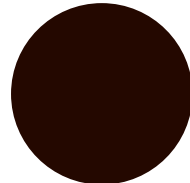


Brilliant black – A2†

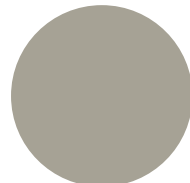
Optional colours



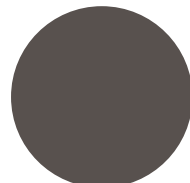
Scuba blue, metallic – S9**



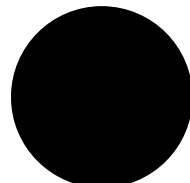
Teak brown, metallic – 4U**



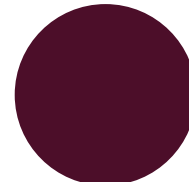
Cuvée silver, metallic – 0D**



Dakota grey, metallic – Y7**



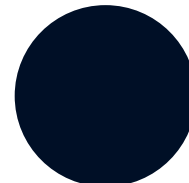
Lava grey, pearl effect – 1R**



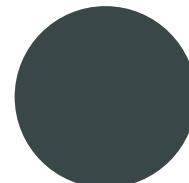
Shiraz red, metallic – 3A**



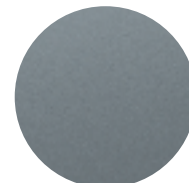
Glacier white, metallic – 2Y†



Moonlight blue, metallic – W1†



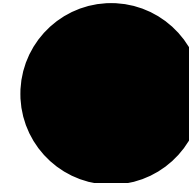
Monsoon grey, metallic – 0C†



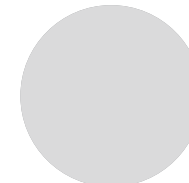
Tornado grey, metallic – Q2†



Utopia blue, metallic – D2†



Mythos black, metallic – 0E

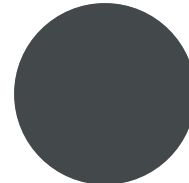


Floret silver, metallic – L5

S line colours



Misano red, pearl effect – N9



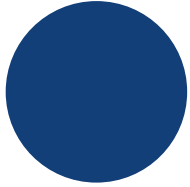
Daytona grey, pearl effect – 6Y

Optional colours

Basic RRP
£512.50

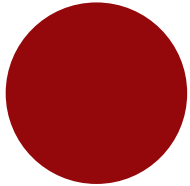
Total RRP inc VAT
£615.00

Black Edition Plus and S5 colour



Sepang blue, pearl effect - E9

S5 colour



Volcano red, metallic - 1G

Paint

Audi exclusive

Everyone has a favourite colour. No matter what yours is, Audi exclusive provides a range of unique colours that have been designed to set your car apart. Choose from the swatches here, or specify any other paint colour in the Audi range.**

Customised

If you have a particular colour in mind, we'll mix the exact metallic or pearl-effect shade you want.***

*Not available on Standard models.

**Audi exclusive paint is subject to factory approval. Visit your local Audi Centre for colour samples.

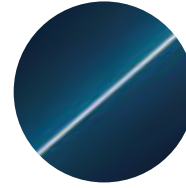
**Customised paint is subject to factory approval, and is available for metallic and pearl-effect water-based paints only. Three-colour process colours and two-tone schemes are not available.

All the colour swatches on this page are matched as accurately as possible to the actual paint colours used. However, due to print processes, Audi UK cannot guarantee that colours shown are 100% accurate.

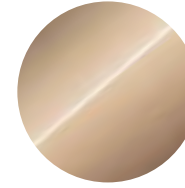
Visit your local Audi Centre for a more accurate colour swatch.

RRP - Recommended Retail Price.

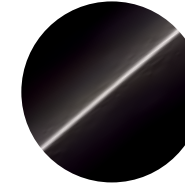
VAT is calculated at 20% but this may alter to reflect any change in the applicable VAT rate.



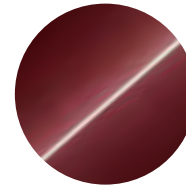
Palace blue, pearl effect



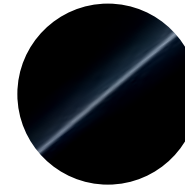
Sand beige, pearl effect



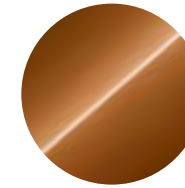
Saddle brown, pearl effect



Classic red, pearl effect



Mamba black, metallic



Ipanema brown, metallic



Any colour in the Audi range or 100 exclusive colours to choose from**



Customised paint***

Audi exclusive**

Basic RRP
£1,762.50

Total RRP inc VAT
£2,115.00

Customised***

Basic RRP
£2,179.17

Total RRP inc VAT
£2,615.00

Upholstery

It's important to feel comfortable on the road. Just choose from our range of luxury upholstery materials and textures, including additional support and colour options, for complete relaxation while you drive.





Upholstery and seats

Standard seats

Front Standard seats with manual adjustment of seat height, forwards and backwards position, backrest angle and head restraint.

Order Code		Standard	SE	SE Technik	S line	Black Edition Plus	S5	S5 Black Edition	Basic RRP	Total RRP inc VAT
4A3	Heated front seats with 3-stage heating control	●	S	S	S	S	S	S	£250.00	£300.00
4A4	Heated front and outer rear seats with 3-stage heating control	-	●	●	-	-	-	-	£166.67	£200.00
7P1	Electric lumbar support for front seats with horizontal and vertical adjustment	●	●	●	-	-	-	-	£195.83	£235.00
PV1	Electric front seats, with adjustment for height, forwards and backwards position, backrest angle and lumbar support for driver and front passenger seats	-	●	●	-	-	-	-	£637.50	£765.00
PV3 6XL	Convenience package. Comprising electric front seats with memory function on driver's side and lumbar support. Also includes folding and auto-dimming door mirrors with memory function and automatic kerb view function, which tilts the passenger mirror downwards towards the kerb when reverse gear is engaged. Not available on TDI ultra engines	-	●	●	-	-	-	-	£1,125.00	£1,350.00



Standard seat

Options are subject to availability and may extend delivery.

- = Not available
● = Available
S = Standard


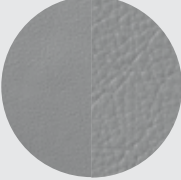

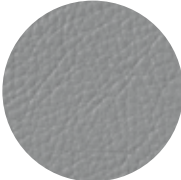


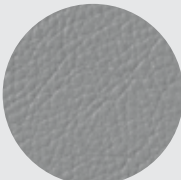


RRP - Recommended Retail Price.

VAT is calculated at 20% but this may alter to reflect any change in the applicable VAT rate.

Upholstery and seats

Sports seats

Choose your favourite upholstery from the swatches shown opposite to give your car's interior the look and feel you want.

										Standard	SE	SE Technik	S line	Black Edition Plus	S5	S5 Black Edition	Basic RRP	Total RRP inc VAT
Leather/Alcantara										-	•	•	-	-	-	-	£341.67	£410.00
	Black - FZ	Titanium grey - IE																
Milano leather										-	•	•	-	-	-	-	£341.67	£410.00
	Black - FZ	Titanium grey - IE	Velvet beige - IF/ID															
Fine Nappa leather*										-	•	•	-	-	-	-	£645.83	£775.00
	Black - FZ	Titanium grey - IE	Velvet beige - IF/ID	Chestnut brown - VR														

Options are subject to availability and may extend delivery.

- = Not available
- = Available
- S = Standard

*Includes leather door armrests (7HB).

Colour swatches have been matched as accurately as possible. However, they may not represent the true colour.

All leather upholstery choices include seats, head restraints, door inserts and front centre armrest (if fitted) in leather.

RRP - Recommended Retail Price.

VAT is calculated at 20% but this may alter to reflect any change in the applicable VAT rate.

Upholstery and seats

Sports seats

Front Sports seats with prominent side bolsters for lateral support when cornering. Also features electric 4-way lumbar support and manual seat adjustment with extendable thigh support.

Options are subject to availability and may extend delivery.

- = Not available
- = Available
- S = Standard

RRP – Recommended Retail Price.

VAT is calculated at 20% but this may alter to reflect any change in the applicable VAT rate.

Order Code		Standard	SE	SE Technik	S line	Black Edition Plus	S5	S5 Black Edition	Basic RRP	Total RRP inc VAT
4A4	Heated front and outer rear seats with 3-stage heating control	-	•	•	-	-	-	-	£166.66	£200.00
PV1	Electric front seats with adjustment for height, forwards and backwards position, backrest angle and lumbar support for driver and front passenger seats	-	•	•	-	-	-	-	£637.50	£765.00
PV3 6XL	Convenience package. Comprising electric front seats with memory function on driver's side and lumbar support. Also includes folding and auto-dimming door mirrors with memory function and automatic kerb view function, which tilts the passenger mirror downwards towards the kerb when reverse gear is engaged. Not available on TDI ultra engines	-	•	•	-	-	-	-	£1,125.00	£1,350.00



Sports seat (PS1) with optional electrical adjustment (PV1)

Upholstery and seats

S line Sports seats

Choose your favourite upholstery from the swatches shown opposite to give your car's interior the look and feel you want.

Leather/Alcantara



Black with grey stitching – QZ

Fine Nappa leather*



Black – QE

	Standard	SE	SE Technik	S line	Black Edition Plus	S5	S5 Black Edition	Basic RRP	Total RRP inc VAT
Leather/Alcantara	-	-	-	●	●	-	-	No charge	No charge
Fine Nappa leather*	-	-	-	S	S	-	-	No charge	No charge

Options are subject to availability and may extend delivery.

- = Not available
- = Available
- S = Standard

All leather upholstery choices include seats, head restraints, door inserts and front centre armrest (if fitted) in leather.

*Includes leather door armrests (7HB).

Colour swatches have been matched as accurately as possible. However, they may not represent the true colour.

RRP – Recommended Retail Price.

VAT is calculated at 20% but this may alter to reflect any change in the applicable VAT rate.

Upholstery and seats

S line Sports seats

Front Sports seats with S line embossing and prominent side bolsters for lateral support when cornering. Also features electric 4-way lumbar support and manual seat cushion angle adjustment with extendable thigh support.

Options are subject to availability and may extend delivery.

- = Not available
- = Available
- S = Standard

RRP – Recommended Retail Price.

VAT is calculated at 20% but this may alter to reflect any change in the applicable VAT rate.

Order Code		Standard	SE	SE Technik	S line	Black Edition Plus	S5	S5 Black Edition	Basic RRP	Total RRP inc VAT
4A4	Heated front and outer rear seats with 3-stage heating control	-	-	-	•	•	-	-	£166.66	£200.00
PV1	Electric front seats with adjustment for height, forwards and backwards position, backrest angle and lumbar support for driver and front passenger seats	-	-	-	•	•	-	-	£379.17	£455.00
PV3 6XL	Convenience package. Comprising electric front seats with memory function on driver's side and lumbar support. Also includes folding and auto-dimming door mirrors with memory function and automatic kerb view function, which tilts the passenger mirror downwards towards the kerb when reverse gear is engaged. Not available on TDI ultra engine	-	-	-	•	•	-	-	£958.33	£1,150.00



S line Sports seats

Upholstery and seats

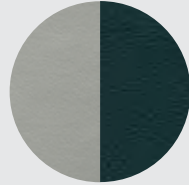
S5 Super Sports seats

Choose your favourite upholstery from the swatches shown opposite to give your car's interior the look and feel you want.

Fine Nappa leather



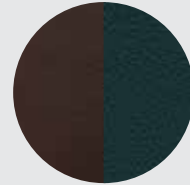
Black/Black
- ZM/SX



Lunar silver/Black
- SU/SY



Magma red/Black
- FA/SZ



Chestnut brown/Black
- SV/WY

	Standard	SE	SE Technik	S line	Black Edition Plus	S5	S5 Black Edition	Basic RRP	Total RRP inc VAT
	-	-	-	-	-	S	S	No charge	No charge

Options are subject to availability and may extend delivery.

- = Not available
- = Available
- S = Standard

Colour swatches have been matched as accurately as possible. However, they may not represent the true colour.

All leather upholstery choices include seats, head restraints, door inserts and front centre armrest (if fitted) in leather.

RRP - Recommended Retail Price.

VAT is calculated at 20% but this may alter to reflect any change in the applicable VAT rate.

Upholstery and seats

S5 Super Sports seats

S5 Super Sports seats with integral head restraints, electrical adjustment of seat height, forwards and backwards position, backrest and seat angle. Also includes electric 4-way lumbar support, extendable thigh support and rear bench with integral centre storage tray.

Options are subject to availability and may extend delivery.

- = Not available
- = Available
- S = Standard

RRP - Recommended Retail Price.

VAT is calculated at 20% but this may alter to reflect any change in the applicable VAT rate.

Order Code		Standard	SE	SE Technik	S line	Black Edition Plus	S5	S5 Black Edition	Basic RRP	Total RRP inc VAT
4A4	Heated front and outer rear seats with 3-stage heating control	-	-	-	-	-	•	•	£166.66	£200.00
PV3 6XL	Convenience package. Comprising electric front seats with memory function on driver's side and lumbar support. Also includes folding and auto-dimming door mirrors with memory function and automatic kerb view function, which tilts the passenger mirror downwards towards the kerb when reverse gear is engaged	-	-	-	-	-	•	•	£375.00	£450.00



S5 Super Sports seat

Colour and trim guide

Interior trim colours

Standard seats

To help you choose the right interior for your new A5 Sportback, please use this guide, showing the carpet, dashboard and headlining colours that have been matched to your chosen upholstery. Please note that the inlay colour may change dependent on the interior colours you select – please see page 60 for details.

Order Code	Upholstery	Carpet	Dashboard (upper/lower)	Headlining	Arcade cloth (NOB)	Milano leather (N5W)	Fine Nappa leather (N3Q)*
FZ	Black	Black	Black/Black	Silver	●	●	●
IE	Titanium grey	Grey	Grey/Grey	Silver	●	●	●
IF	Velvet beige	Brown	Brown/Brown	Beige	–	●	–
ID	Velvet beige	Black	Black/Black	Beige	–	●	–
VR	Chestnut brown	Black	Black/Black	Silver	–	–	●

Sports seats (PS1)

Order Code	Upholstery	Carpet	Dashboard (upper/lower)	Headlining	Leather/Alcantara (N7U)	Milano leather (N5W)	Fine Nappa leather (N3Q)*
FZ	Black	Black	Black/Black	Silver	●	●	●
IE	Titanium grey	Grey	Grey/Grey	Silver	●	●	●
IF	Velvet beige	Brown	Brown/Brown	Beige	–	●	●
ID	Velvet beige	Black	Black/Black	Beige	–	●	●
VR	Chestnut brown	Black	Black/Black	Silver	–	–	●

Options are subject to availability and may extend delivery.

*Includes leather door armrests (7HB).

– = Not available
● = Available
S = Standard

Colour and trim guide

Interior trim colours

S line Sports seats

Order Code	Upholstery	Carpet	Dashboard (upper/lower)	Headlining	Leather/Alcantara (N7K)	Fine Nappa leather (N2R)*
QE	Black (with black stitching)	Black	Black/Black	Black	—	●
QZ	Black (with grey stitching)	Black	Black/Black	Black	●	—

S5 Super Sports seats

Order Code	Upholstery	Carpet	Dashboard	Headlining	Fine Nappa leather (N3M)*
ZM or SX	Black/Black	Black	Black	Black or Silver	●
FA or SZ	Magma red/Black	Black	Black	Black or Silver	●
SU or SY	Lunar silver/Black	Black	Black	Black or Silver	●
SV or WY	Chestnut brown/Black	Black	Black	Black or Silver	●

Options are subject to availability and may extend delivery.

*Includes leather door armrests (7HB).

- = Not available
- = Available
- S = Standard

Upholstery

Audi exclusive

With Audi exclusive, you can specify your seats in Valcona leather or leather/Alcantara, in an array of different colours shown to the right.

Select just one all-over shade for each seat, or customise each panel in two or more complementary colours from the distinctive Audi exclusive palette. You can even choose the colour of the decorative stitching – to match or contrast with your chosen upholstery – from this varied collection. Whatever combination you decide upon, we think you'll be extremely satisfied with the result.

Options are subject to availability and may extend delivery.

– = Not available
• = Available
S = Standard

*Leather and stitching (where applicable) can be specified in a variety of colours from the Audi exclusive range.

RRP – Recommended Retail Price.

VAT is calculated at 20% but this may alter to reflect any change in the applicable VAT rate.

Order Code		Standard	SE	SE Technik	S line	Black Edition Plus	S5	S5 Black Edition	Basic RRP	Total RRP inc VAT
PYB S3G	Audi exclusive leather package 1 in Valcona leather. Includes leather-covered seat upholstery, door trim inserts and front centre armrest. Backrest covers and seat add-on parts come in the interior trim colour.* Only in combination with Sports seats (PS1)	–	•	•	•	•	•	•	£2,458.33	£2,950.00
PYC S3G	Audi exclusive leather package 1 in Valcona leather/Alcantara. Includes leather-covered seat-side trims, head restraints, front centre armrest and Alcantara door trim inserts and seat-centre sections. Backrest covers and seat add-on parts come in the interior trim colour.* Only in combination with Sports seats (PS1)	–	•	•	•	•	–	–	£2,458.33	£2,950.00
PYE S3G	Audi exclusive leather package 2 in Valcona leather. Includes all the contents of leather package 1 plus: leather-covered seat backrest covers, door armrests and handles. Seat-side trims and add-on parts are colour coordinated. Only in combination with electric seats (PV1) or convenience package (PV3)	–	•	•	•	•	–	–	£3,291.67	£3,950.00



Chestnut brown



Jet grey



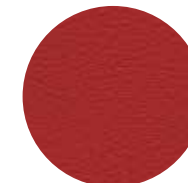
Alabaster white



Sand beige



Saddle brown



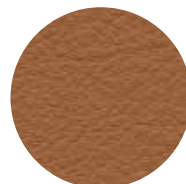
Crimson red



Magnolia white



Havanna brown



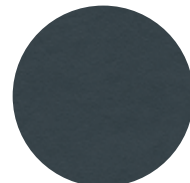
Cognac brown



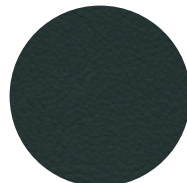
Night blue



Cloudy grey



Smoky blue



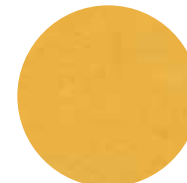
Iceland green



Powder beige



Classic red



Calendula yellow

Also available:

Alcantara colours: available in all the Audi exclusive colours shown, except for Crimson red, Jet grey and Sand beige. Alcantara equivalents are Chilli red, Amethyst grey, and Sesame beige respectively.

Please consult your Audi Centre for examples of Alcantara and carpet colours.

Upholstery

Audi exclusive line

Audi exclusive is ultimately about choice – but if you'd rather leave some of the decisions in the capable hands of our designers, the expert team at quattro GmbH have compiled Audi exclusive line, combining some of the most popular elements of the exclusive range in one, beautifully coordinated package.

Options are subject to availability and may extend delivery.

- = Not available
• = Available
S = Standard

*When ordered in combination with S line, Audi exclusive removes all S line interior badging.

**When ordered in combination with S line, the S line embossing on the seats is removed.

*Please note that when Audi exclusive line (PQL) is ordered in combination with Black Edition, the standard 3-spoke flat-bottomed leather steering wheel is replaced with a 3-spoke leather steering wheel (1XW/1XX).

RRP – Recommended Retail Price.

VAT is calculated at 20% but this may alter to reflect any change in the applicable VAT rate.

Order Code		Standard	SE	SE Technik	S line	Black Edition Plus	S5	S5 Black Edition	Basic RRP	Total RRP inc VAT
WQK	Audi exclusive line	-	•	•	-	-	-	-	£2,250.00	£2,700.00
PQL	Audi exclusive line*	-	-	-	•	•	-	-	£708.33	£850.00



Cloudy grey – UH



Cognac brown – QX



Alabaster white – UA

This package includes

- ▶ Sports seats in two-tone Fine Nappa leather upholstery. Seat-centre sections in Cloudy grey, Cognac brown or Alabaster white. Seat-side sections and head restraints in black with decorative stitching to match seat centres**
- ▶ Door panels in Fine Nappa leather to match seat centres
- ▶ Black dashboard and carpets
- ▶ Black cloth headlining
- ▶ Audi exclusive sill trims for SE and SE Technik models
- ▶ For SE, SE Technik and S line, Matt-brushed aluminium inlays. For Black Edition Plus, Piano finish black inlays
- ▶ Black front and rear floor mats with leather piping to match seat centres
- ▶ 3-spoke Sports multi-function steering wheel in black leather and gear-lever gaiter with stitching to match seat centres†

Inlays

Attention to detail can make a big impact. From contemporary black Piano finish to a brown walnut, our selection of inlays make the perfect finishing touch to your car's interior.

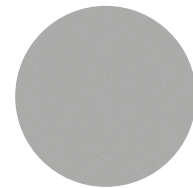




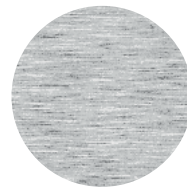
Inlays

Inlays are the all-important finishing touch that add flair and interest to your car's interior.

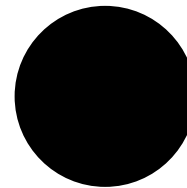
Order Code		Standard	SE	SE Technik	S line	Black Edition Plus	S5	S5 Black Edition	Basic RRP	Total RRP inc VAT
5MA	Micrometallic silver	S	S	S	-	-	-	-	No charge	No charge
5TG	Matt-brushed aluminium	-	-	-	S	-	S	-	No charge	No charge
5TL	Piano finish, black	-	-	-	●	S	-	S	No charge	No charge
5MU	Aluminium trigon	●	●	●	-	-	-	-	£129.17	£155.00
5MK	Carbon atlas	-	-	-	-	-	●	-	£212.50	£255.00
5MG	Walnut, brown	●	●	●	-	-	-	-	£275.00	£330.00
7TL	Fine grain ash, natural brown	●	●	●	-	-	-	-	£275.00	£330.00
5TZ	Fine grain birch wood, grey	-	-	-	●	●	●	-	£275.00	£330.00
5MZ	Stainless steel mesh (centre console comes in Piano finish, black)	-	-	-	-	-	●	-	£304.17	£365.00
5MT	Beaufort oak, light brown	-	●	●	-	-	-	-	£375.00	£450.00
5TB	Aluminium, beaufort	-	-	-	●	●	●	●	£791.67	£950.00



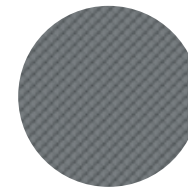
Micrometallic silver – 5MA



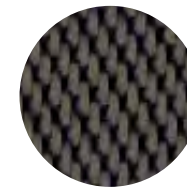
Matt-brushed aluminium – 5TG



Piano finish, black – 5TL



Aluminium trigon – 5MU



Carbon atlas – 5MK



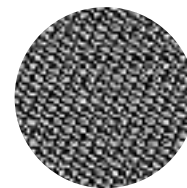
Walnut, brown – 5MG



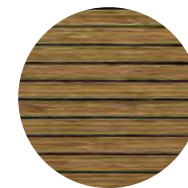
Fine grain ash, natural brown – 7TL



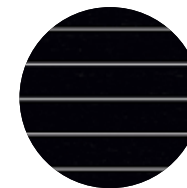
Fine grain birch wood, grey – 5TZ



Stainless steel mesh (centre console comes in Piano finish, black) – 5MZ



Beaufort oak, light brown – 5MT



Aluminium, beaufort – 5TB

Options are subject to availability and may extend delivery.

- = Not available
● = Available
S = Standard

RRP – Recommended Retail Price.

VAT is calculated at 20% but this may alter to reflect any change in the applicable VAT rate.

Inlays

Audi exclusive

Audi exclusive has sourced a range of materials which you can select for your inlays, from Sepia Oak to Fine grain myrtle.

Order Code		Standard	SE	SE Technik	S line	Black Edition Plus	S5	S5 Black Edition	Basic RRP	Total RRP inc VAT
YTA S3G	Audi exclusive inlays (cannot be combined with the inlays shown on page 60)	-	•	•	•	-	-	-	£791.67	£950.00



Fine grain ash, nougat



Fine grain myrtle, nutmeg



Oak, sepia

Options are subject to availability and may extend delivery.

- = Not available
- = Available
- S = Standard

RRP – Recommended Retail Price.

VAT is calculated at 20% but this may alter to reflect any change in the applicable VAT rate.

Options

Every driver has different needs, which is why we have created some useful options to further enhance your car. For extra comfort, support, style or function, you can choose from a variety of additional features, tailoring everything from your infotainment and audio equipment to your wheels and lighting.





Wheels, tyres and suspension

Choose a set of specially-selected alloy wheels to subtly enhance the way your car looks and drives. And you can also specify Audi drive select, which allows you to change suspension and steering settings according to your driving style.



18" x 8.5J '15-spoke Star' design alloy wheels – PRR



18" x 8.5J '5-V-spoke' design alloy wheels – PRM



19" x 8.5J '10-spoke' design alloy wheels – PRK



19" x 8.5J '5-spoke Y' design alloy wheels – PRV



19" x 9J '7-twin-spoke' design alloy wheels – PQ7



19" x 9J '5-arm Rotor' design titanium finish alloy wheels – PQT



20" x 9J '5-twin-spoke high-gloss' design alloy wheels – PQQ

Options are subject to availability and may extend delivery.

- = Not available
- = Available
- S = Standard

RRP – Recommended Retail Price.

VAT is calculated at 20% but this may alter to reflect any change in the applicable VAT rate.

Wheels, tyres and suspension

Order Code		Standard	SE	SE Technik	S line	Black Edition Plus	S5	S5 Black Edition	Basic RRP	Total RRP inc VAT
CD7	17" x 7.5J '5-arm' design alloy wheels with 225/50 R17 tyres – image shown on page 22	●	S	–	–	–	–	–	£166.67	£200.00
		–	–	●	–	–	–	–	No charge	No charge
PRR	18" x 8.5J '15-spoke Star' design alloy wheels with 245/40 R18 Y tyres	–	●	●	–	–	–	–	£554.17	£665.00
PRM	18" x 8.5J '5-V-spoke' design alloy wheels with 245/40 R18 tyres	–	●	●	–	–	–	–	£554.17	£665.00
PRK	19" x 8.5J '10-spoke' design alloy wheels with 255/35 R19 tyres*	–	●	●	–	–	–	–	£1,125.00	£1,350.00
PRV	19" x 8.5J '5-spoke Y' design alloy wheels with 255/35 R19 Y tyres*	–	●	●	–	–	–	–	£1,108.33	£1,330.00
		–	–	–	●	–	–	–	£500.00	£600.00
PQ7	19" x 9J '7-twin-spoke' design alloy wheels with 255/35 R19 tyres*	–	–	–	–	–	●	–	£833.33	£1,000.00
		–	–	–	–	●	–	●	No charge	No charge
PQT	19" x 9J '5-arm Rotor' design titanium finish alloy wheels with 255/35 R19 Y tyres*	–	–	–	–	●	–	S	No charge	No charge
		–	–	–	●	–	–	–	£1,058.33	£1,270.00
PQQ	20" x 9J '5-twin-spoke high-gloss' design alloy wheels with 265/30 ZR19 tyres**	–	–	–	–	–	●	–	£1,250.00	£1,500.00
		–	–	–	–	●	–	●	£458.33	£550.00
2H1	Audi drive select. Changes your car's handling and responses at the touch of a button to suit the way you want to drive. There are five modes: comfort, dynamic, auto, individual and efficient. Please note that you can only choose the 'individual' mode and customise your settings if you also have Satellite Navigation installed. When operating in efficiency mode, the engine and gear-shift programmes are altered to optimise fuel consumption. The air conditioning system is also configured to allow for optimum energy use	–	●	●	●	●	●	●	£183.33	£220.00
1N8	Dynamic steering. With this technology, driving is significantly more agile under everyday conditions, while directional stability and precision are increased at high speeds and in demanding driving situations. Must be combined with Audi drive select (2H1)	–	●	●	●	●	●	●	£312.50	£375.00
1BL	Damper control. Formed on the basis of lowered Sports suspension, the optional damper control system fine tunes suspension settings according to road conditions and driver needs. Must be combined with Audi drive select (2H1)	–	●	●	–	–	–	–	£566.67	£680.00
		–	–	–	●	●	●	●	£250.00	£300.00
GH2	Audi quattro Sports differential. Must be combined with Audi drive select (2H1). Only available on 3.0 TDI 245PS and 3.0 TFSI quattro engines	–	●	–	●	●	●	●	£516.67	£620.00
1BE	Sports suspension. With stiffer springs and shock absorbers	●	●	●	S	S	–	–	£262.50	£315.00
1BV	S line Sports suspension. Lowered by 30mm with more firmly tuned springs and dampeners for more direct contact with the road	–	–	–	●	●	–	–	No charge	No charge

Options are subject to availability and may extend delivery.

– = Not available
● = Available
S = Standard

*Not available on 2.0 TDI ultra 136PS engine.

*Not available on 3.0 TDI 204PS, 2.0 TDI 150PS and 1.8 TFSI 170PS engines.

RRP – Recommended Retail Price.

VAT is calculated at 20% but this may alter to reflect any change in the applicable VAT rate.

Packages

Some items work well together, which is why we've created these special packages. They provide increased convenience and value by combining several of our most popular options.

Options are subject to availability and may extend delivery.

- = Not available
- = Available
- S = Standard

RRP - Recommended Retail Price.

VAT is calculated at 20% but this may alter to reflect any change in the applicable VAT rate.

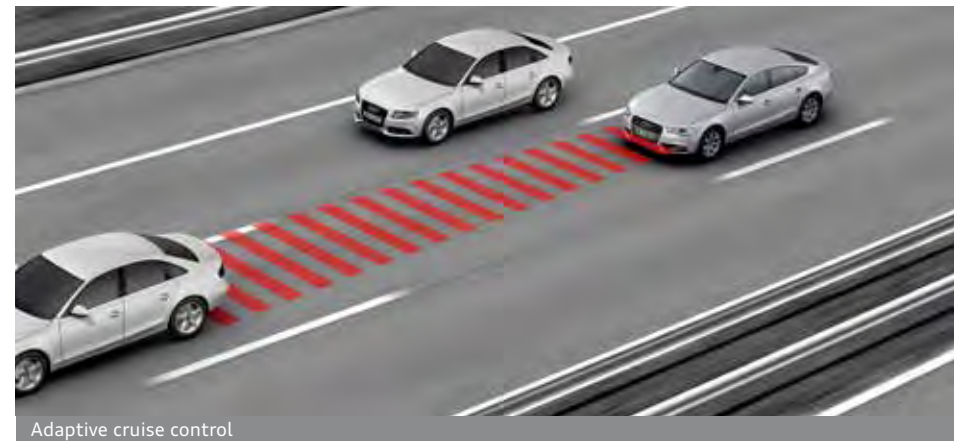
Order Code	Standard	SE	SE Technik	S line	Black Edition Plus	S5	S5 Black Edition	Basic RRP	Total RRP inc VAT
WB6	-	•	-	-	-	•	-	£1,412.50	£1,695.00
	-	-	-	-	-	-	•	£1,200.00	£1,440.00

Technology package

Featuring MMI Navigation system - HDD-based with Audi Music Interface and Audi parking system advanced
MMI Navigation system plus. Hard disk navigation with topographical map display, places of interest and town models in 3D, with high-resolution 7" colour TFT display. The system offers three alternative routes, with the ability to scroll along the selected route and manoeuvre within the map. Uses 7-digit postcode recognition. Includes split-screen mode for route information, dynamic route guidance (TMC), intersection zoom function, motorway exits and lane recommendations in Driver's Information System (DIS). Includes 2 SD card readers, single CD/DVD player, 40GB hard drive and Jukebox (20GB) for storing and managing music files in WMA and MP3 format. Includes European navigation data (where digitised). Additional functionality is available when combined with optional Mobile telephone preparation - High with Audi Connect (9ZW). For more details please see option 9ZW
Audi Music Interface. Connection for use with stereo audio sources, USB and MP3 devices including Apple iPod generation 4 onwards and Apple iPhone
Audi parking system advanced - aids parking by acoustically and visually indicating distances to obstacles in front of and behind your A5 with guiding lines. Measured by ultrasonic sensors and camera integrated discreetly in the boot handle



Satellite Navigation - HDD-based with MMI 3G



Adaptive cruise control

Packages

Order Code	Standard	SE	SE Technik	S line	Black Edition Plus	S5	S5 Black Edition	Basic RRP	Total RRP inc VAT
<p>PCB</p> <p>Assistance Package Contains Adaptive cruise control with braking guard and Audi active lane assist Adaptive cruise control with braking guard. Intelligent automatic speed and distance control system. Works at speeds from 19-155mph*, using radar sensors to measure and maintain required distance to vehicle ahead by braking and accelerating. Four programmes (distance 1 to distance 4) set via steering column controls of the cruise control system. Includes Audi braking guard – a system which triggers a visual and acoustic alarm when it detects the risk of a rear end collision with the vehicle in front. At speeds below 19mph the system can initiate partial braking or full deceleration if a potential impact is detected, or if it is not possible to completely prevent a collision, the system will focus on reducing the speed at which the vehicles collide Audi active lane assist. Helps the driver to stay in lane with gentle steering impulses for greater safety and convenience, particularly on motorways and country roads. The system informs the driver if the car is drifting out of its lane unintentionally Only available in combination with the Technology package (WB6) or Satellite Navigation</p>	-	•	•	•	•	•	•	£520.83	£625.00

Options are subject to availability and may extend delivery.

- = Not available
- = Available
- S = Standard

*Where the law permits.

RRP – Recommended Retail Price.

VAT is calculated at 20% but this may alter to reflect any change in the applicable VAT rate.



Audio and communication

Stay in touch using our range of communication functions, and give each journey its own soundtrack with our advanced audio equipment.

Order Code		Standard	SE	SE Technik	S line	Black Edition Plus	S5	S5 Black Edition	Basic RRP	Total RRP inc VAT
8UM	Symphony radio. AM/FM twin tuner with TP memo function. Front-loading 6-CD changer with MP3 compatibility and active front and rear speakers. Includes colour centre console screen, SD memory-card reader and AUX-IN socket. Cannot be combined with the Technology package (WB6)	●	●	—	—	—	●	●	£233.33	£280.00
9VK	Bang & Olufsen sound system. Designed specifically for the Audi A5 Sportback, featuring 14 high-performance speakers and two amplifiers which create 505 Watts of stunning sound, balanced to suit the specific acoustic properties of the car's interior. The system constantly and automatically adapts the sound characteristics to the vehicle's speed and background noise providing the highest level quality. The reproduction of 5.1 surround sound is possible in conjunction with Technology package (WB6) or Satellite Navigation	—	●	●	●	S	●	S	£445.83	£535.00
9ZX	Mobile telephone preparation – Bluetooth interface. Provides hands-free connection via Bluetooth using mobile phone aerial. Please contact your Audi Centre for phone compatibility. Only in combination with multi-function steering wheel	●	S	S	S	S	S	S	£216.67	£260.00

Options are subject to availability and may extend delivery.

- = Not available
- = Available
- S = Standard

RRP – Recommended Retail Price.

VAT is calculated at 20% but this may alter to reflect any change in the applicable VAT rate.



Audi Symphony radio



Bang & Olufsen sound system

Audio and communication

Order Code	Standard	SE	SE Technik	S line	Black Edition Plus	S5	S5 Black Edition	Basic RRP	Total RRP inc VAT
PT5	●	—	—	—	—	—	—	£445.83	£535.00
	—	●	●	●	●	—	—	£145.83	£175.00
9ZW	—	●	●	●	●	●	●	£291.67	£350.00
UF7	—	●	S	●	S	●	S	£212.50	£255.00
7D1	—	●	●	●	●	●	●	£254.17	£305.00
QU6	—	●	●	●	●	●	●	£687.50	£825.00

¹Online services are only available for mobile phone contracts or SIM cards which include a data option and only within the coverage of the mobile phone network; there may be additional costs for the use of these services (charges and billing correspond to the personal mobile phone contract or SIM card contract). Due to high data volumes, a mobile phone contract including an unlimited or high usage data plan is strongly recommended. The content and scope of the online based services offered may vary.

²To check the compatibility of your mobile phone and whether it has SIM Access Profile compatibility, please visit www.audi.co.uk/phonecompatibility

Options are subject to availability and may extend delivery.

— = Not available
● = Available
S = Standard

RRP – Recommended Retail Price.

VAT is calculated at 20% but this may alter to reflect any change in the applicable VAT rate.

Interior equipment

Make sure your car's interior feels exactly the way you want by customising it using the comprehensive list of options.

Options are subject to availability and may extend delivery.

- = Not available
• = Available
S = Standard

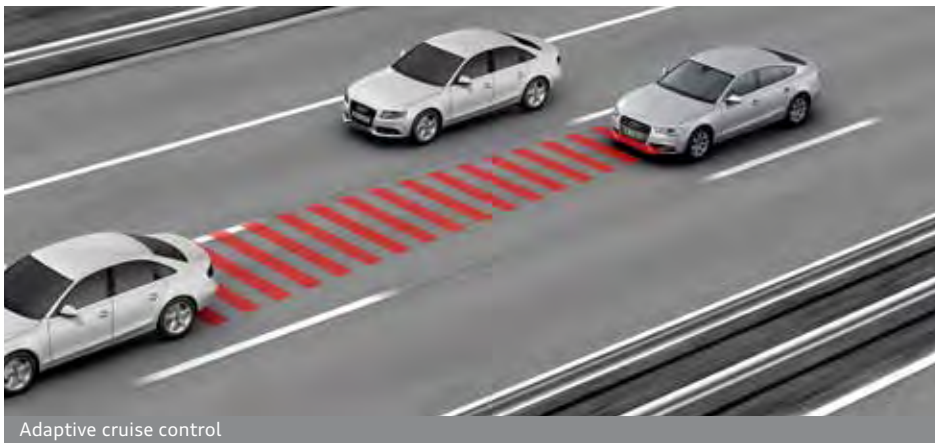
*Where the law permits.

**HomeLink® is a registered trademark of Johnson Controls. For information on compatibility, visit www.homelink.com

RRP - Recommended Retail Price.

VAT is calculated at 20% but this may alter to reflect any change in the applicable VAT rate.

Order Code		Standard	SE	SE Technik	S line	Black Edition Plus	S5	S5 Black Edition	Basic RRP	Total RRP inc VAT
PG3	Advanced key. Access and authorisation system which automatically exchanges data between key and vehicle, allowing the driver to keep the key in their pocket or bag at all times. To unlock and open, simply lift the exterior door handle. To lock, press the button on the handle. Pressing the start/stop button integrated in the centre console starts and stops the engine	-	•	•	•	•	•	•	£391.67	£470.00
8T4	Adaptive cruise control (ACC) with braking guard. Intelligent automatic speed and distance control system. Works at speeds from 19 to 155mph*, using radar sensors to measure and maintain required distance to vehicle ahead by braking and accelerating. Four programs (distance 1 to distance 4) set via steering column controls of the cruise control system. Includes Audi braking guard - a system which triggers a visual and acoustic alarm when it detects the risk of a rear end collision with the vehicle in front. At speeds below 19mph the system can initiate partial braking or full deceleration if a potential impact is detected to help prevent a collision. If it is not possible to completely prevent a collision, the system will focus on reducing the speed at which the vehicles collide	-	•	•	•	•	•	•	£750.00	£900.00
VC1	Garage door opener (HomeLink)** , programmable radio-operated remote control for compatible doors/gates and control buttons integrated in the roof module at the front	•	•	•	•	•	•	•	£150.00	£180.00
QQ1	Interior light package. Includes reading lights at rear, illuminated vents, internal door controls and vanity mirrors, active door reflectors, entrance lighting, footwell lighting at front and rear and illuminated glove compartment	•	•	•	•	•	S	S	£125.00	£150.00



Adaptive cruise control



Advanced key

Interior equipment

Options are subject to availability and may extend delivery.

- = Not available
- = Available
- S = Standard

*The leather, stitching and piping (where applicable) can be selected from any of the Audi exclusive colours shown on page 56. The carpet colour can also be selected from any of the Audi exclusive colours shown on page 56, except for Crimson red and Saddle brown.

RRP – Recommended Retail Price.

VAT is calculated at 20% but this may alter to reflect any change in the applicable VAT rate.

Order Code		Standard	SE	SE Technik	S line	Black Edition Plus	S5	S5 Black Edition	Basic RRP	Total RRP inc VAT
6SJ	Reversible load mat with bumper cover. One side in rubber, the other in carpet	•	•	•	•	•	•	•	£70.83	£85.00
PKH QE1	Storage package. Includes storage nets on the back of the front seats, storage compartment under the front seats (only under passenger seat if memory function is fitted), drinks holder in the rear-centre armrest and lockable glove compartment. Also includes tie-down straps and 12V socket in the boot	•	•	•	•	•	•	•	£150.00	£180.00
3X2	Through-load facility. With removable ski bag for transporting long objects	•	•	•	•	•	S	S	£137.50	£165.00
6NQ	Cloth headlining – black. Only in combination with interior colours black (FZ) or velvet beige (ID)	•	•	•	S	S	S	S	£170.83	£205.00
7HB	Leather armrests. Includes leather-covered armrest on door panels for front and rear	–	•	•	S	S	S	S	£170.83	£205.00
6Q6	Audi exclusive aluminum gear knob. Manual gearboxes only. Not available in combination with interior codes IE or IF	–	•	•	•	•	–	–	£125.00	£150.00
YSR S3G	Audi exclusive floor mats with leather piping.* Includes 4 floor mats for front and rear (cannot be combined with option YSQ/S3G – Audi exclusive carpets)	–	•	•	•	•	•	•	£375.00	£450.00
YSQ S3G	Audi exclusive carpets.* Includes 4 Audi exclusive floor mats with leather piping (cannot be combined with option YSR/S3G – Audi exclusive floor mats)	–	•	•	•	•	•	•	£812.50	£975.00
YRB S3G	Audi exclusive controls package.* Includes leather-covered steering wheel and gear-shift gaiter	–	•	•	•	•	•	•	£625.00	£750.00



Through-load facility with removable ski bag



Storage package

Exterior equipment

Make sure your car looks exactly as you want it to by selecting some of our striking options.

Options are subject to availability and may extend delivery.

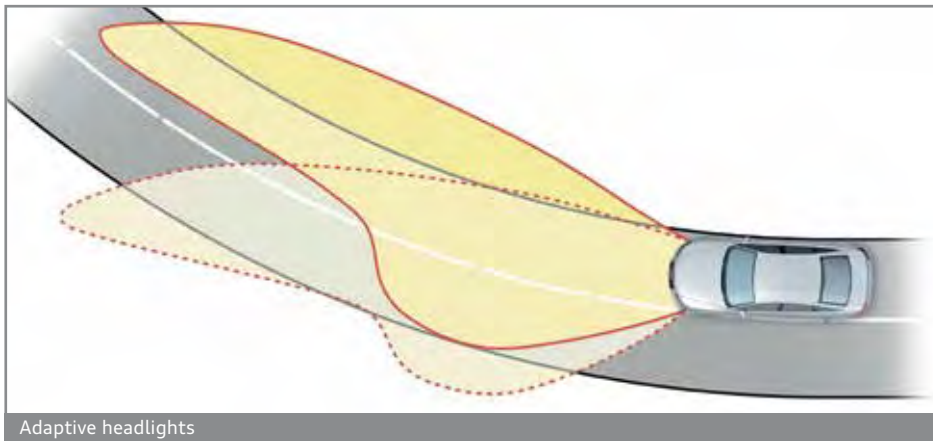
- = Not available
 • = Available
 S = Standard

*Additional wiring is required for auxiliary equipment.

RRP - Recommended Retail Price.

VAT is calculated at 20% but this may alter to reflect any change in the applicable VAT rate.

Order Code		Standard	SE	SE Technik	S line	Black Edition Plus	S5	S5 Black Edition	Basic RRP	Total RRP inc VAT
8N7	High-beam assist	•	•	•	•	•	•	•	£91.67	£110.00
8Q5	Adaptive lights. Swivelling headlights for improved illumination of winding roads	-	-	-	•	•	•	•	£275.00	£330.00
PX1 8Q5	Adaptive Xenon Plus headlights with LED daytime-running lights. Includes headlight washers	-	•	•	-	-	-	-	£941.67	£1,130.00
4ZD	Black styling package. Includes radiator grille frame and radiator grille struts in high-gloss black, fog light surrounds in the side ventilation grille in high-gloss black, radiator grille in matt black, front side grills in matt black, number plate holder in matt black, window capping strips and side profile roof trim strip in high gloss black	-	•	•	•	S	•	S	£387.50	£465.00
2Z7	Deletion of engine technology designation at rear	•	•	•	•	•	-	-	No charge	No charge
2Z0	Deletion of model and engine technology designation at rear	•	•	•	•	•	-	-	No charge	No charge
6XE	Door mirrors - heated and electrically folding. Includes automatic kerb view function, which tilts the passenger mirror downwards towards the kerb when reverse gear is engaged	-	•	•	•	•	•	•	£150.00	£180.00
6XK	Door mirrors - heated, electrically folding and auto-dimming. Includes automatic kerb view function, which tilts the passenger mirror downwards towards the kerb when reverse gear is engaged	-	•	•	•	•	•	•	£241.67	£290.00
3FE	Electric slide-and-tilt sunroof	-	•	•	•	•	•	•	£725.00	£870.00
VW1	Privacy glass. Dark tinted from the B-pillar backwards	•	•	•	•	S	•	S	£275.00	£330.00
1D2	Tow bar - removable. Includes single European 13-pin electrics socket and may require a 13- to 7-pin adaptor. Please consult your Audi Centre for details*	•	•	•	•	•	•	•	£554.17	£665.00



Adaptive headlights



Xenon Plus headlights with LED daytime running lights



Safety and security

Intelligent technology designed to give you better all-round awareness and safety on the road.

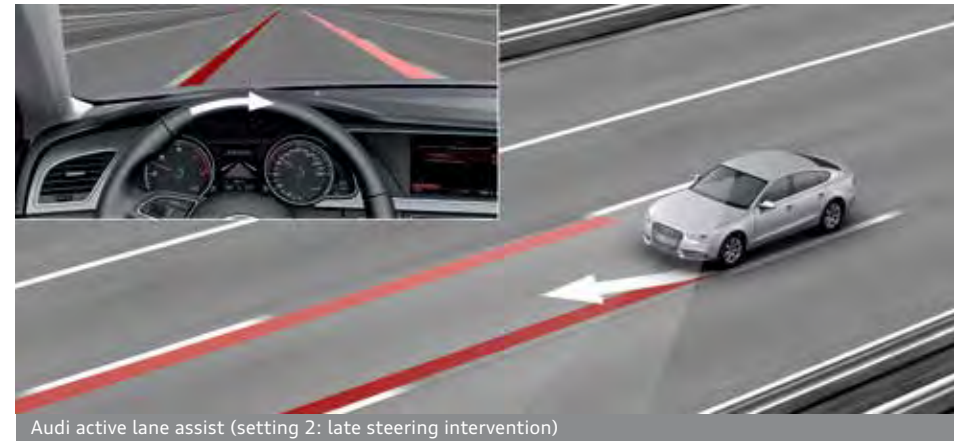
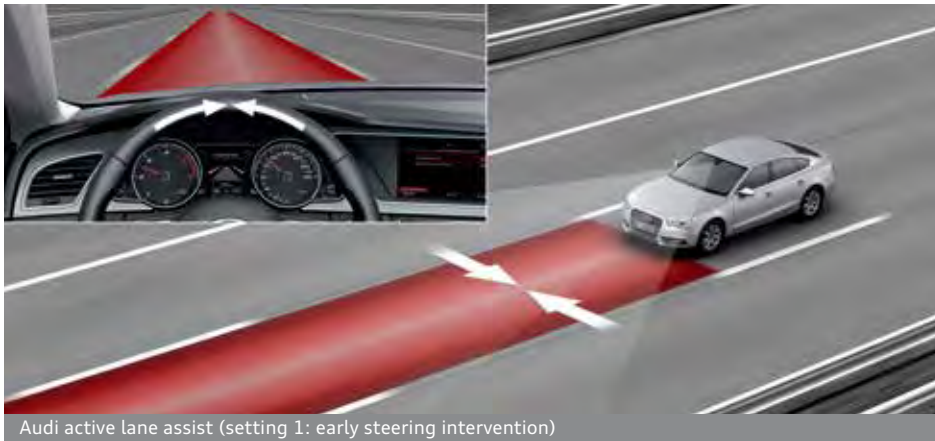
Order Code		Standard	SE	SE Technik	S line	Black Edition Plus	S5	S5 Black Edition	Basic RRP	Total RRP inc VAT
7X1	Acoustic parking system (rear only). Aids parking by acoustically indicating distances to obstacles	●	—	—	—	—	—	—	£279.17	£335.00
7X8	Audi parking system advanced. Aids parking by acoustically and visually indicating distances to obstacles with guiding lines. Measured by sensors and reversing camera. Only available as part of the Technology package (WB6) on SE, S5 and S5 Black Edition models	—	—	●	●	●	—	—	£283.33	£340.00
UH2	Audi hill-hold assist. Uses either the ESP system or electromechanical parking brake to keep the vehicle stationary	●	●	●	●	●	●	●	£54.17	£65.00
7Y4	Audi active lane assist. Uses a discreet camera at the top of the windscreen to monitor the road ahead. Helps the driver to stay in lane with gentle steering impulses. Informs driver if car is drifting out of lane unintentionally above 37mph. Choice of two settings: early steering intervention with continuous steering impulses to centre vehicle in lane; or late steering intervention, which alerts the driver that the vehicle is possibly crossing lanes and gives a corrective steering prompt	—	●	●	●	●	●	●	£308.33	£370.00

Options are subject to availability and may extend delivery.

- = Not available
- = Available
- S = Standard

RRP – Recommended Retail Price.

VAT is calculated at 20% but this may alter to reflect any change in the applicable VAT rate.



Safety and security

Order Code	Standard	SE	SE Technik	S line	Black Edition Plus	S5	S5 Black Edition	Basic RRP	Total RRP inc VAT
7Y1	-	•	•	•	•	•	•	£366.67	£440.00
4X4	•	•	•	•	•	•	•	£212.50	£255.00

Audi side assist. Aids the driver when changing lane. Audi side assist monitors the area behind your A5 Sportback using radar sensors located discreetly in the rear bumper, informing the driver via a visual warning signal in the door mirror if there is a vehicle in their blind spot or approaching quickly from behind. The system is activated via a button in the driver's door. Only in combination with Light and rain sensor or high-beam assist (8N7)

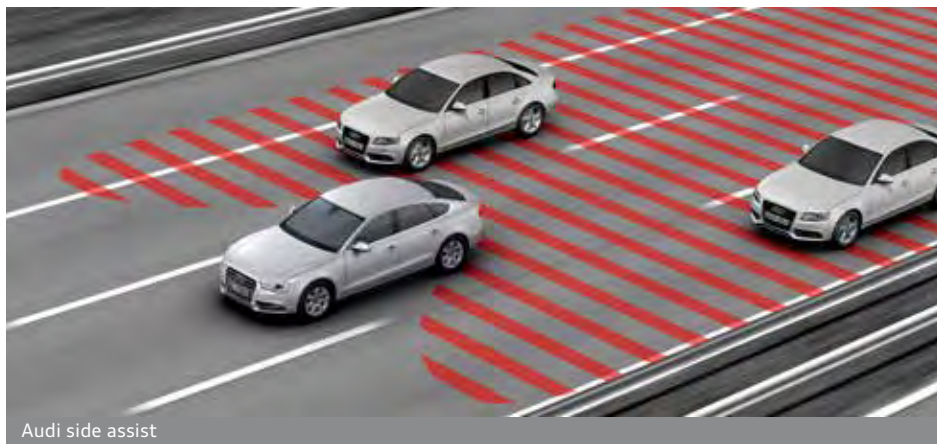
4X4 Rear side airbags

Options are subject to availability and may extend delivery.

- = Not available
- = Available
- S = Standard

RRP – Recommended Retail Price.

VAT is calculated at 20% but this may alter to reflect any change in the applicable VAT rate.



Audi side assist



Audi parking system advanced

Steering wheels

You can choose from a selection of advanced leather multi-function steering wheels, allowing you to control your audio system at the touch of a button.

Options are subject to availability and may extend delivery.

- = Not available
- = Available
- S = Standard

*The leather and stitching (where applicable) can be selected from any of the Audi exclusive colours shown on page 56.

*Not available in combination with Audi Exclusive Line (PQL/WQK).

RRP – Recommended Retail Price.

VAT is calculated at 20% but this may alter to reflect any change in the applicable VAT rate.

Order Code		Standard	SE	SE Technik	S line	Black Edition Plus	S5	S5 Black Edition	Basic RRP	Total RRP inc VAT
1XW	3-spoke leather multi-function steering wheel. Manual models only	•	S	S	S	-	-	-	£212.50	£255.00
1XX	3-spoke leather multi-function steering wheel with gear-shift paddles. Automatic models only	•	S	S	S	-	-	-	£329.17	£395.00
2PF	3-spoke multi-function flat-bottomed steering wheel. Manual models only*	-	-	-	•	S	-	-	£83.33	£100.00
2PK	3-spoke multi-function flat-bottomed steering wheel with gear-shift paddles. Automatic models only*	-	-	-	•	S	•	S	£83.33	£100.00
YRH S3G	Audi exclusive leather-covered steering wheel*	-	•	•	•	•	•	•	£375.00	£450.00





Looking after your Audi

When you've chosen your ideal model, it's reassuring to know that it will remain in safe hands. That's why we've created products to protect your Audi, from extended warranties to Audi Complete – our comprehensive service and maintenance package. And there's also a range of Audi accessories and merchandise to choose from, enabling you to further enhance and safeguard your car.





Audi Complete

Audi Complete is simply a way to look after the servicing and maintenance costs for your Audi in a single package. You pay a one-off or monthly fee and we'll cover all your servicing and maintenance costs for the next 3 years. It includes replacement parts, tyres and your MOT. It means you only have to pay for fuel, insurance and your Road Fund Licence. So you can be reassured that your car will be maintained by trained Audi Technicians, using genuine Audi parts. You can also opt for our Service only or Service and Maintenance packages if you prefer.

*Retail customers only. Pricing correct at time of print and based on a 3 years/30,000 miles agreement. All pricing is a 'starting from' price for the Audi A5 Sportback model range and is therefore subject to change and mileage/model dependent. If you drive under 10,000 miles per annum your vehicle will be placed on a fixed inspection service schedule. If your mileage tends to exceed 10,000 miles per annum it will be placed on the Flexible Service schedule.

Warranty

Options are subject to availability and may extend delivery.

- = Not available
• = Available
S = Standard

**Only available prior to registration of your new A5 Sportback. Please speak to your Audi Centre for full details.

RRP - Recommended Retail Price.

VAT is calculated at 20% but this may alter to reflect any change in the applicable VAT rate.

Order Code		A5 Sportback	S5 Sportback	Basic RRP	Total RRP inc VAT
-	Audi Complete – Service only. Comprehensive care for your Audi covering all your servicing for 3 years. Visit your local Audi Centre for further information or audi.co.uk/audicomplete for full details including terms and conditions	•	-	£13.33	£16.00*
		-	•	£20.00	£24.00*
-	Audi Complete – Service and Maintenance. Comprehensive care for your Audi covering all your servicing and maintenance for 3 years, as well as your MOT. Visit audi.co.uk/audicomplete for full details including terms and conditions	•	-	£16.67	£20.00*
		-	•	£27.50	£33.00*
-	Audi Complete – Service, Maintenance and Tyres. Comprehensive care for your Audi covering all your servicing, maintenance and tyres for 3 years, as well as your MOT. Visit audi.co.uk/audicomplete for full details including terms and conditions	•	-	£27.50	£33.00*
		-	•	£43.33	£52.00*

Order Code		A5 Sportback	S5 Sportback	Basic RRP	Total RRP inc VAT
-	Audi Warranty , covering you for unlimited mileage in the first 2 years of ownership, and up to 60,000 miles in the third year. Transferable between owners**	S	S	No charge	No charge
EA6	Audi Warranty , covering you for up to 4 years or 75,000 miles, whichever comes soonest. Cover includes a 2-year unlimited mileage warranty, and up to 75,000 miles in the third and fourth years. Transferable between owners**	•	•	£445.83	£535.00
EA9	Audi Warranty , covering you for up to 5 years or 90,000 miles, whichever comes soonest. Cover includes a 2-year unlimited mileage warranty, and up to 90,000 miles in the third, fourth and fifth years. Transferable between owners**	•	•	£1,045.83	£1,255.00

Accessories

Choosing an Audi isn't just a matter of deciding on the model you want; it's about creating a car that suits your needs perfectly. And that's why we've developed a whole range of accessories to enhance your A5 Sportback, enabling you to customise it down to the last detail. Like your Audi, all these accessories are developed to the highest possible standards. They're all available exclusively from Audi.

To find out more, just visit audi.co.uk/accessories or contact your local Audi Centre.

Warranty

All of the accessories available on the A5 Sportback are covered by a three-year warranty* if they are ordered and included in the purchase price of the car at date of delivery. Any accessories ordered and installed after delivery include a two-year warranty.*

*Excluding Road Angel products.

Audi Accessories warranty terms and conditions can be found at audi.co.uk



Merchandise

From the enthusiasts' motorsport collection to the sophisticated Audi collection, there's a wide variety of adults' and children's clothing, lifestyle accessories and collectables, all of which bear the Audi name.

Please speak to a member of our team at your local Audi Centre to see the full Audi collection and to place an order. A selection of Audi merchandise is also available to buy from audi.co.uk/merchandise



The Audi Difference

The experts in Vorsprung durch Technik

Our Audi Approved Master Technicians have undergone an impressive 100,000 hours of training over a 10-year programme to ensure they have the latest technical expertise for maintaining and servicing your Audi. All our Service Advisors undergo a specialist induction and training to ensure they are Audi professionals and able to talk to you about any issues you may have with your Audi vehicle.

Servicing tailored to your needs

Regular servicing is key to safeguarding your Audi's performance and a full Audi service history could help you enhance the future re-sale value. To make servicing easy, the Audi Service Schedules have been designed to work with your individual driving style and vehicle.

We offer two different schedules: the fixed Inspection Service and the Flexible Service schedule. The conventional fixed Inspection Service schedule has fixed intervals for the Oil-change Service and Inspection Service, which are determined by time and distance.

With the Flexible Service schedule, the Inspection Service intervals are also fixed but the Oil-change Service intervals are variable. Sensors take account of driving style and conditions to determine when the Oil-change Service is required and the driver is informed via the on-board service interval display.

The choice of Service Schedule will depend on journey type and mileage as well as individual driving style and conditions. The table to the right can be used for guidance but your Audi Centre will help you to determine the most suitable Service schedule for you based on your individual circumstances and preferences.

Fixed Inspection Service Schedule

	Vehicle usage:
Mileage	Less than 10,000 miles per annum Mainly city/town centre driving. Short journeys.
	Service Intervals:
Oil-change Service	Fixed to every 9,000+ miles/1 year
Inspection Service	Fixed to every 19,000+ miles/2 years

Flexible Service Schedule

	Vehicle usage:
Mileage	More than 10,000 miles per annum Motorway and main road driving. Mainly longer distance journeys. Constant speeds.
	Service Intervals:
Oil-change Service	Variable to a maximum of every 19,000+ miles/2 years
Inspection Service	Fixed to every 19,000+ miles/2 years

When a vehicle is frequently used in the following conditions, we recommend a Fixed Inspection Service Schedule, regardless of mileage:

Uneconomical driving styles, e.g. heavy acceleration and braking, constant use of high revs

High engine-loading conditions, e.g. frequent towing and hill climbs

*As indicated by the service interval display. Mileages are approximate as the Service Indicator system uses kilometres as its distance measurement.

Your convenience comes first

At Audi you can choose from a range of convenient services that suit your needs. Why not book a 'service while you wait' appointment* and enjoy our complimentary refreshments while your car is with us? Or, if you need to be mobile, take advantage of one of our courtesy cars which we can even deliver to you.* We guarantee we can service your Audi within 5 days without a courtesy car or within 10 days if you need transport. We will also ensure your car is returned to you with a full valet.

Audi Genuine Parts

You can rest assured that only Audi Genuine Parts will be used on your vehicle. What's more, Audi parts and labour come with a 2-year guarantee.**

No hidden costs

We believe strongly in transparency when it comes to our prices. For added peace of mind, we will give you a quotation over the phone for the work you have requested and email you the price confirmation. We'll consult you if any additional work on your car is needed when it is with us. We won't carry out any extra work without asking your permission first.

All part of the service

Whenever we see an Audi for a service, we connect it directly to our headquarters in Ingolstadt which enables us to check your car's software and make sure it's as up-to-date as possible. If the factory has released a software upgrade for your model, it can be applied immediately - improving anything from your car's efficiency to the precision of its parking system.

Audi Roadside Assistance

Your new car comes complete with 3 years' complimentary roadside assistance and recovery across the UK, provided by Automobile Association Insurance Services Limited. Also included is roadside assistance throughout Europe, managed by Automobile Association Insurance Services Limited.

For further information and terms and conditions please visit audi.co.uk

*Subject to availability.

**Excludes wear and tear.



A5 Sportback Petrol technical data

Engine	1.8 TFSI	1.8 TFSI	2.0 TFSI quattro	2.0 TFSI quattro
Transmission	6-speed manual	multitronic	6-speed manual	7-speed S tronic
Cylinder	4-cylinder	4-cylinder	4-cylinder	4-cylinder
Displacement, cubic cm (valves per cylinder)	1798	1798	1984	1984
Max. power ¹ , PS	170	170	225	225
Max. torque, Nm at rpm	320/1400-3700	320/1400-3700	350/1500-4500	350/1500-4500
Top speed ² , mph	143	137	152	152
0-62mph acceleration, seconds	8.2	8.4	6.5	6.5
CO ₂ emissions ³ , g/km	136	136	152	155
Benefit in kind (BIK)%	20%	20%	23%	24%
Fuel consumption ³ , mpg (l/100km) Urban	37.7 (7.5)	40.4 (7.0)	32.1 (8.8)	33.2 (8.5)
Fuel consumption ³ , mpg (l/100km) Extra Urban	57.6 (4.9)	54.3 (5.2)	53.3 (5.3)	50.4 (5.6)
Fuel consumption ³ , mpg (l/100km) Combined	48.7 (5.8)	47.9 (5.9)	42.8 (6.6)	42.2 (6.7)
ABI insurance group 1-50*	27E	27E	TBC	TBC
Unladen weight, ⁴ kg	1490	1525	1570	1615
Gross weight limit, kg	2040	2075	2120	2165
Roof load/Nose weight, kg	90/80	90/80	90/80	90/80
Max trailer load unbraked, ⁵ kg	750	750	750	750
Max trailer load with 12% gradient, ⁵ kg	1500	1300	1700	1700
Max trailer load with 8% gradient, ⁵ kg	1700	1500	1900	1900
Luggage compartment capacity, rear seats upright, litres	480	480	480	480
Luggage compartment capacity, rear seats folded, litres	980	980	980	980
Fuel tank capacity approx, litres	63	63	61	61
Emission standard	EU6	EU6	EU6	EU6

*Highest insurance group rating shown. Group may be lower dependent on trim level. Please visit www.thatcham.org/abigroupratings for details.

¹The given value was obtained in accordance with the specified measurement procedure (the respective current version of the Directive 80/1269/EEC).

²Regulated.

³Fuel consumption and CO₂ emissions figures are obtained under standardised test conditions (Directive 93/116/EEC) using a representative model. This allows direct comparison between different models from different manufacturers, but may not represent the actual fuel consumption achieved in 'real world' driving conditions. More information is available at www.dft.gov.uk/vca

⁴Vehicle's unladen weight without driver (calculated in accordance with the current version of Directive 80/1268/EEC). The fitting of additional equipment may increase the vehicle's unladen weight and drag coefficient, whereupon the potential carrying capacity and top speed will be correspondingly reduced.

⁵The engine's power output always goes down with increasing altitude. At 1,000m above sea level, and for every additional 1,000m, deduct 10% from the weight output (trailer load unit + gross weight of the towing vehicle).

Please note: The maximum power output figures are quoted in PS (or Pferdestärke, which is the metric equivalent of brake horsepower). To convert to brake horsepower, divide the PS figure by 1.0139.

A5 Sportback Diesel technical data

*Highest insurance group rating shown. Group may be lower dependent on trim level. Please visit www.thatcham.org/abigroupratings for details.

*Electronically limited.

¹The given value was obtained in accordance with the specified measurement procedure (the respective current version of the Directive 80/1269/EEC).

²Regulated.

³Fuel consumption and CO₂ emissions figures are obtained under standardised test conditions (Directive 93/116/EEC) using a representative model. This allows direct comparison between different models from different manufacturers, but may not represent the actual fuel consumption achieved in 'real world' driving conditions. More information is available at www.dft.gov.uk/vca

⁴Vehicle's unladen weight without driver (calculated in accordance with the current version of Directive 80/1268/EEC). The fitting of additional equipment may increase the vehicle's unladen weight and drag coefficient, whereupon the potential carrying capacity and top speed will be correspondingly reduced.

⁵The engine's power output always goes down with increasing altitude. At 1,000m above sea level, and for every additional 1,000m, deduct 10% from the weight output (trailer load unit + gross weight of the towing vehicle).

⁶The addition of AdBlue® technology ensures compliance with EU6 emission standards. The AdBlue tank may require refilling between services.

Please note: The maximum power output figures are quoted in PS (or Pferdestärke, which is the metric equivalent of brake horsepower). To convert to brake horsepower, divide the PS figure by 1.0139.

Engine	2.0 TDI ultra	2.0 TDI	2.0 TDI	2.0 TDI	2.0 TDI quattro	2.0 TDI quattro	3.0 TDI	3.0 TDI quattro
Transmission	6-speed manual	multitronic	6-speed manual	multitronic	6-speed manual	7-speed S tronic	multitronic	7-speed S tronic
Cylinder	4-cylinder	4-cylinder	4-cylinder	4-cylinder	4-cylinder	4-cylinder	6-cylinder	6-cylinder
Displacement, cubic cm (valves per cylinder)	1968	1968	1968	1968	1968	1968	2967	2967
Max. power ¹ , PS	136	150	177	177	177	177	204	245
Max. torque, Nm at rpm	320/1500-3000	320/1750-2500	380/1750-2500	380/1750-2500	380/1750-2500	380/1750-2500	400/1250-3500	500/1400-3250
Top speed ² , mph	132	127	142	140	139	138	146	155 ⁺
0-62mph acceleration, seconds	9.5	9.4	8.5	7.9	8.2	7.9	7.1	5.9
CO ₂ emissions ³ , g/km	109	127	120	127	134	139	129	149
Benefit in kind (BIK)%	17%	21%	20%	21%	22%	23%	21%	25%
Fuel consumption ³ , mpg (l/100km) Urban	57.6 (4.9)	49.6 (5.7)	51.4 (5.5)	49.6 (5.7)	46.3 (6.1)	44.1 (6.4)	51.4 (5.5)	41.5 (6.8)
Fuel consumption ³ , mpg (l/100km) Extra Urban	76.3 (3.7)	64.2 (4.4)	68.9 (4.1)	64.2 (4.4)	62.8 (4.5)	60.1 (4.7)	61.4 (4.6)	55.4 (5.1)
Fuel consumption ³ , mpg (l/100km) Combined	67.3 (4.2)	58.9 (4.8)	61.4 (4.6)	58.9 (4.8)	55.4 (5.1)	53.3 (5.3)	57.6 (4.9)	49.6 (5.7)
ABI insurance group 1-50*	24E	TBC	28E	28E	28E	28E	30E	34E
Unladen weight ⁴ , kg	1580	1540	1515	1540	1585	1625	1620	1695
Gross weight limit, kg	2130	2090	2065	2090	2135	2175	2170	2245
Roof load/Nose weight, kg	90/80	90/80	90/80	90/80	90/80	90/80	90/80	90/80
Max trailer load unbraked ⁵ , kg	750	750	750	750	750	750	750	750
Max trailer load with 12% gradient ⁵ , kg	1300	1700	1600	1700	1600	1600	1700	1900
Max trailer load with 8% gradient ⁵ , kg	1500	1900	1800	1900	1800	1800	1900	2100
Luggage compartment capacity, rear seats upright, litres	480	480	480	480	480	480	480	480
Luggage compartment capacity, rear seats folded, litres	980	980	980	980	980	980	980	980
Fuel tank capacity approx, litres	63	63	63	63	61	61	63	61
Emission standard	EU6 ⁶	EU5	EU5	EU5	EU5	EU5	EU5	EU5

S5 Sportback technical data

*Highest insurance group rating shown. Group may be lower dependent on trim level. Please visit www.thatcham.org/abigroupratings for details.

+Electronically limited.

¹The given value was obtained in accordance with the specified measurement procedure (the respective current version of the Directive 80/1269/EEC).

²Regulated.

³Fuel consumption and CO₂ emissions figures are obtained under standardised test conditions (Directive 93/116/EEC) using a representative model. This allows direct comparison between different models from different manufacturers, but may not represent the actual fuel consumption achieved in 'real world' driving conditions. More information is available at www.dft.gov.uk/vca

⁴Vehicle's unladen weight without driver (calculated in accordance with the current version of Directive 80/1268/EEC). The fitting of additional equipment may increase the vehicle's unladen weight and drag coefficient, whereupon the potential carrying capacity and top speed will be correspondingly reduced.

⁵The engine's power output always goes down with increasing altitude. At 1,000m above sea level, and for every additional 1,000m, deduct 10% from the weight output (trailer load unit + gross weight of the towing vehicle).

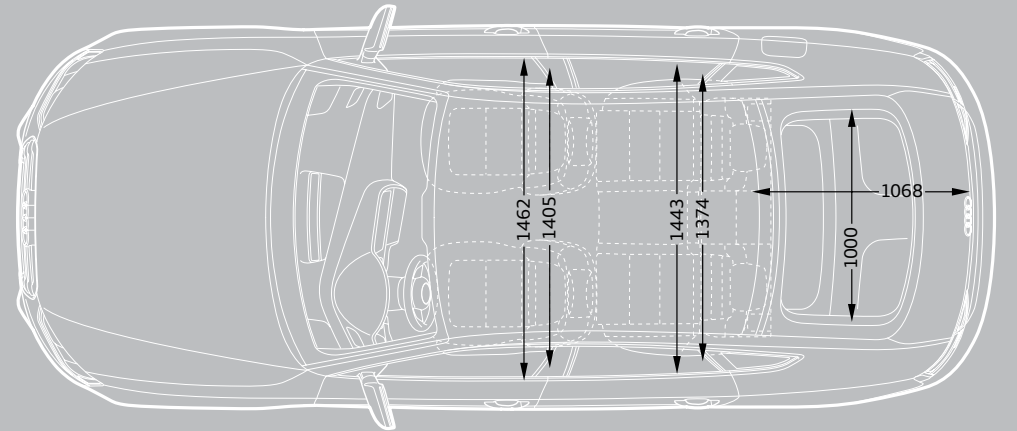
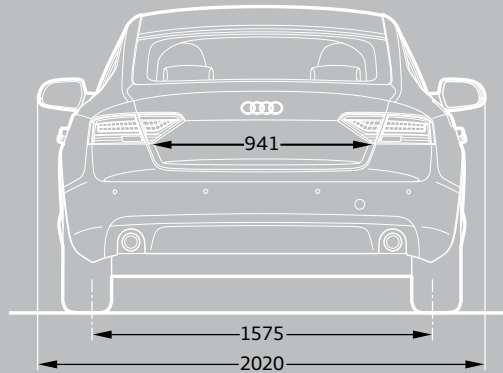
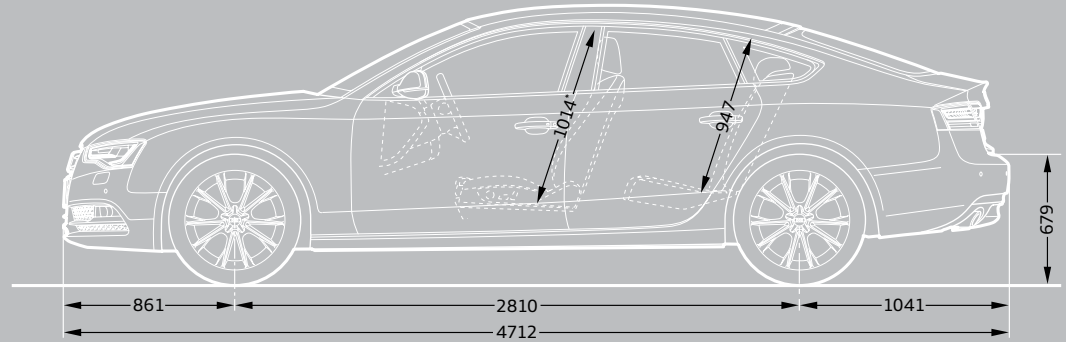
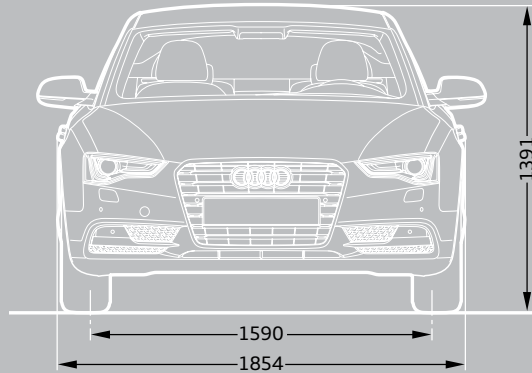
Please note: The maximum power output figures are quoted in PS (or Pferdestärke, which is the metric equivalent of brake horsepower). To convert to brake horsepower, divide the PS figure by 1.0139.

Engine	S5 quattro
Transmission	7-speed S tronic
Cylinder	V6
Displacement, cubic cm (valves per cylinder)	2995
Max. power ¹ , PS	333
Max. torque, Nm at rpm	440/2900-5300
Top speed ² , mph	155+
0-62mph acceleration, seconds	5.1
CO ₂ emissions ³ , g/km	179
Benefit in kind (BIK)%	28%
Fuel consumption ³ , mpg (l/100km) Urban	27.7 (10.2)
Fuel consumption ³ , mpg (l/100km) Extra Urban	44.8 (6.3)
Fuel consumption ³ , mpg (l/100km) Combined	36.7 (7.7)
ABI insurance group 1-50*	40E
Unladen weight, ⁴ kg	1745
Gross weight limit, kg	2295
Roof load/Nose weight, kg	90/80
Max trailer load unbraked, ⁵ kg	750
Max trailer load with 12% gradient, ⁵ kg	1900
Max trailer load with 8% gradient, ⁵ kg	2100
Luggage compartment capacity, rear seats upright, litres	480
Luggage compartment capacity, rear seats folded, litres	980
Fuel tank capacity approx, litres	61
Emission standard	EU6



A5 Sportback dimensions

The technical drawings opposite show the exact dimensions of the A5 Sportback, so you can check everything - from whether the car will fit in your garage to whether your luggage will fit in the boot.



Dimensions were measured with vehicle at unladen weight.

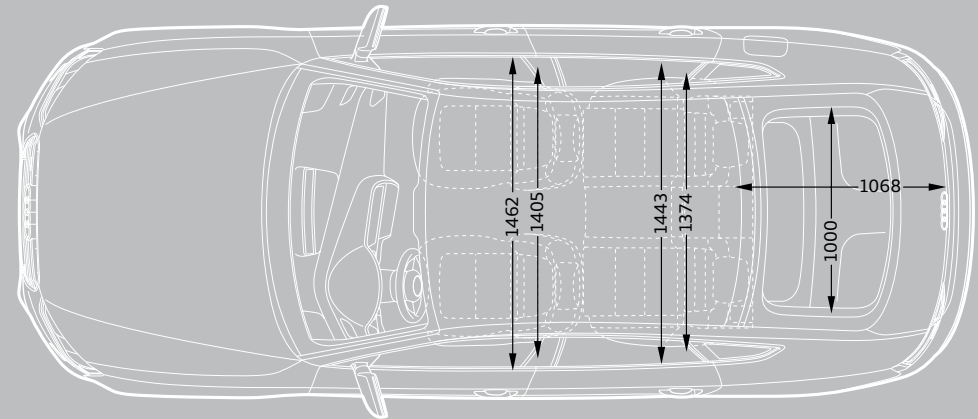
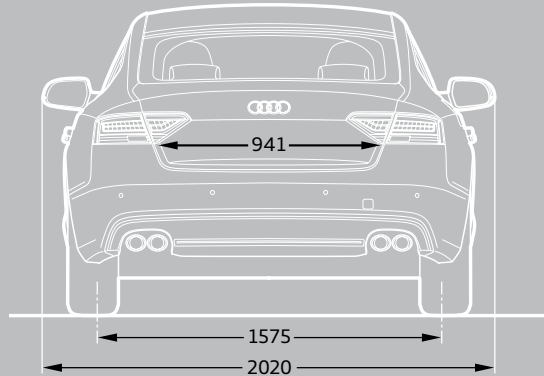
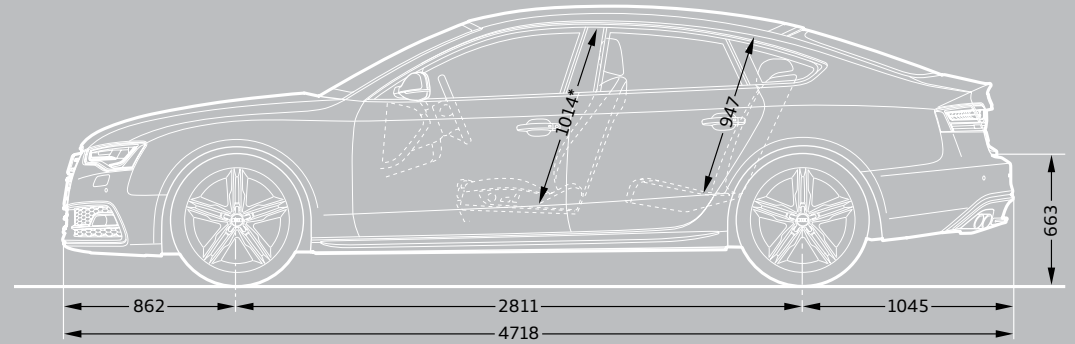
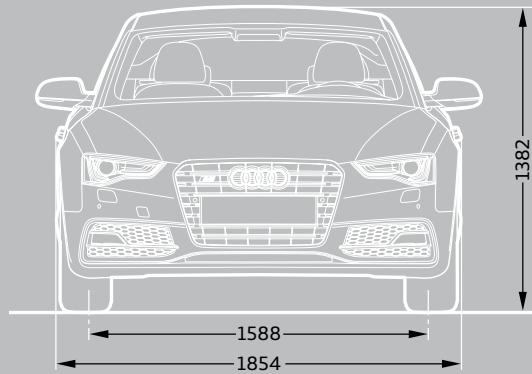
Turning circle approx 11.5m.

Dimensions in millimetres.

*Maximum headroom.

S5 Sportback dimensions

The technical drawings opposite show the exact dimensions of the S5 Sportback, so you can check everything - from whether the car will fit in your garage to whether your luggage will fit in the boot.



Dimensions were measured with vehicle at unladen weight.

Turning circle approx 11.5m.

Dimensions in millimetres.

*Maximum headroom.

Pricing and Additional information

Welcome to Audi

By placing an order for your Audi, you're choosing to get behind the wheel of one of the most sophisticated cars on the road. And because we believe the service we offer should be just as advanced, we want to let you know exactly what you can expect from us, now and in the future.

We've agreed a set of standards with all our Centres which governs the way we do business with you. It outlines the kind of service we promise to deliver for every customer, right down to filling each new Audi we sell with half a tank of fuel.

So whether you're interested in the date your car will arrive in the UK or the way we'll dispose of non-biodegradable materials after we service your Audi, you can have total confidence in us.

Audi Promise

Audi Centres

We guarantee that all our Centres will be open as follows:

Sales: Monday to Friday 9am–6pm
Saturday 9am–5pm

Service: Monday to Friday 8am–6pm
Saturday 8.30am–1pm

Sunday opening is at local discretion.

New car delivery

Once we've confirmed a delivery date for your car, we'll keep you informed of progress. Subject to reasonable notice, we'll then deliver it to a place of your choice, whether that's your home or work. In the unlikely event of a delay, we'll provide a courtesy car to minimise inconvenience and keep you mobile.

Environmental commitment

We promise to dispose of all non-biodegradable materials from your vehicle in a responsible manner.

Pricing

Prices and specifications given are correct at the time of printing. Always check details with your Audi Centre as Audi policies are continually developing. We reserve the right to change prices or specifications at any time.

All prices are subject to VAT, currently charged at 20%, but this may alter to reflect any change in the applicable VAT rate.

Delivery charges and number plates are not included in the vehicle price.

Delivery charge	£471.66
Number plate	£20.00
VAT	£98.34
Total	£590.00

Audi Customer Care

Every new Audi benefits from the comprehensive Audi Customer Care Package, which comprises:

- ▶ A 3-year Audi warranty, which covers you for unlimited mileage in the first 2 years of ownership, with a full mechanical and electrical warranty which covers you for up to 60,000 miles in the 3rd year
- ▶ A 3-year paint warranty
- ▶ A 12-year anti-corrosion warranty
- ▶ 3 years' UK roadside assistance and recovery

You also have the option when ordering your new car of choosing a 4-year or 5-year Audi warranty. Speak to a member of the sales team for more information.

Audi tax-free sales

If you are entitled to purchase a vehicle free of VAT, normally through military or diplomatic privilege, please contact your local Audi Centre for full details.

Should you have any difficulty obtaining the information you require, please call 01908 548 356.

Audi Finance

Audi Finance specialises in providing funding solutions for Audi drivers. Whether your Audi is for private or business use, there is a range of funding options to choose from.

Below is the full range of finance products, which comprises:

- ▶ Solutions – a Personal Contract Plan
- ▶ Hire purchase
- ▶ Lease purchase
- ▶ Finance lease
- ▶ Contract hire

With all products, you can choose a fixed-cost maintenance plan designed to help you budget accurately.

No matter which Audi model you choose, your local Audi Centre can provide you with a personalised quote designed to fit your budget and motoring needs.

Audi Finance is a trading name of Volkswagen Financial Services (UK) Limited. An offer of finance depends on certain conditions. Available to people over 18 in the UK only.

Audi Insurance

We want you to start enjoying your new car from day one and thanks to Audi Insurance complimentary 7-day cover, you can. Call free on 0800 316 7893 (lines are open Monday to Friday 8am–9pm, and Saturday 9am–5pm), provide a few details and a cover note will be sent to your Audi Centre. They will then tax your car and you can drive it away.

Additional information

CO₂ data and information

CO₂ emissions-based Vehicle Excise Duty

Vehicle Excise Duty (Road Fund Licence) is based upon the amount of Carbon Dioxide (CO₂) a vehicle emits, measured in grams per kilometre (g/km). First year VED rates apply to the first year of ownership. Annual VED rates apply thereafter. The DVLA has created thirteen categories:

Petrol and Diesel engines	First year	Annual rate (second year onwards)
A – up to 100g/km	£0.00	£0.00
B – 101 to 110g/km	£0.00	£20.00
C – 111 to 120g/km	£0.00	£30.00
D – 121 to 130g/km	£0.00	£110.00
E – 131 to 140g/km	£130.00	£130.00
F – 141 to 150g/km	£145.00	£145.00
G – 151 to 165g/km	£180.00	£180.00
H – 166 to 175g/km	£290.00	£205.00
I – 176 to 185g/km	£345.00	£225.00
J – 186 to 200g/km	£485.00	£265.00
K – 201 to 225g/km	£635.00	£285.00
L – 226 to 255g/km	£860.00	£485.00
M – over 255g/km	£1,090.00	£500.00

Vehicle Excise Duty (VED) rates correct at time of going to print, but these may alter to reflect any change in the applicable VED rate





Audi UK

Customer Services
Selectapost 29
Sheffield
S97 3FG
0800 699888
audi.co.uk

Specifications and prices subject
to change without notice.

© Audi (UK)

Printed in the UK
Edition 6.2 02/15
2015 model year

Images are for illustrative purposes only.