



Dacia Sandero



Introducing Dacia Sandero

Like attractive design? Need a spacious interior? Want modern technology, but don't want to break the bank? Say hello to Dacia Sandero.

Big car features.

Beneath its svelte form lies ample space for five adults. A split-folding rear seat and 320 litre boot make transporting luggage simple. Electronic Stability Control, anti-lock brakes and four front airbags ensure safety as standard. And, with Sandero Lauréate, air conditioning and cruise control mean maximum comfort on the move.

Big car technology.

Want cutting-edge design that's also intuitive to use? No problem. Simply opt for the MediaNav fully-integrated touchscreen multimedia system, featuring Bluetooth connectivity and satellite navigation, all for just £300. Then, there's the state-of-the-art TCe 90 3-cylinder petrol engine, which combines impressive performance with frugal fuel consumption and CO₂ emissions of just 116 g/km. Which means savings for you and the environment.

Small car prices.

At Dacia, we believe in giving you the choice to pay only for what you value. That's why our comprehensive standard 3 year / 60,000 mile* warranty may be extended up to 7 years / 100,000 miles*. Our simple range offers four trim levels to suit your individual needs: from the affordable Access to the newly introduced, luxurious Lauréate Prime. And, with prices starting from just £5,995 on-the-road, there really is a Dacia Sandero for everybody.

* From first date of registration. Warranty expires on the first of the two limits reached.



Model shown is a Dacia Sandero Ambiance with optional Mercury metallic paint.



Equipment

CORE FEATURES - standard on all versions of Dacia Sandero

Exterior Features

- Tinted windows

Safety

- 3 x 3-point rear seatbelts
- Anti-lock braking system (ABS) and Emergency Brake Assist (EBA)
- Child locks in rear doors
- Door open - visual warning
- Driver's airbag
- ESC (Electronic Stability Control) with ASR (Traction control)
- Front side airbags
- Height-adjustable front headrests
- High-level third rear brake light
- ISOFIX points for child seats in both outer rear seats
- Passenger airbag with deactivation function
- Seatbelt not fastened - visual and audible warning
- Tyre pressure monitor
- Tyre inflation kit

Security

- Thatcham-approved engine immobiliser

Driving and Controls

- Gear shift indicator
- Headlights left on - audible and visual warning
- Power-assisted steering
- Rev counter

Visibility and Exterior Lighting

- 3-speed front windscreen wipers
- Daytime running lights (DRL)
- Front courtesy light
- Heated rear window
- Rear wash/wipe
- Single optic headlights with chrome surrounds

Comfort and Convenience

- 12v socket
- 4-speed heating and ventilation system
- 60/40 split folding rear seat (seatback only split)

ACCESS - additional equipment over core features

Exterior Features

- 15" 'Gobi' steel wheels
- Black bumpers
- Black door handles
- Black door mirrors

Interior Features

- Black air vent surrounds
- Black central console surround
- Black door handles (front and rear)
- Black 'Element' cloth upholstery

Visibility and Exterior Lighting

- Door mirrors - manually-adjustable

Comfort and Convenience

- Manual front windows
- Manual rear windows

Communication and Connectivity

- Pre-wiring for accessory-fit radio and speaker system

AMBIANCE - additional equipment over Access

Exterior Features

- 15" 'Colorado' wheel trims
- Body-coloured bumpers

Interior Features

- Chrome air vent surrounds
- Chrome steering wheel logo surround
- Two tone 'Atom' cloth upholstery

Safety

- 3 height-adjustable rear headrests

Security

- Anti-intruder automatic door-locking system
- Remote central locking

Driving and Controls

- ECO mode (TCe 90 and dCi 90 versions only)

Comfort and Convenience

- Boot light
- Electric front windows
- Front passenger grabhandle
- Passenger vanity mirror in sunvisor

Communication and Connectivity

- AUX input
- Bluetooth connectivity
- Radio with CD player including MP3 CD reader with fingertip controls and 2 front speakers
- USB connection for MP3 players

LAUREATE - additional equipment over Ambiance

Exterior Features

- 15" 'Sahara' alloy wheels
- Body-coloured door handles
- Body-coloured door mirrors
- Chrome front grille

Interior Features

- Graphite central console surround
- Graphite front door handles
- Graphite steering wheel lower insert
- Chrome gear lever cap insert
- Chrome instrument dial surrounds
- Chrome heating control inserts
- Leather gearknob
- Dark carbon 'Quantum' cloth upholstery

Safety

- Height-adjustable front seatbelts

Driving and Controls

- 7-function on-board computer: odometer, trip computer, fuel used, average fuel consumption, fuel range, average speed, next service indicator, outside temperature gauge
- Cruise control and speed limiter

Visibility and Exterior Lighting

- Front fog lights
- Heated and electrically-adjustable door mirrors

Comfort and Convenience

- Height-adjustable driver's seat
- Height-adjustable steering wheel
- Manual air-conditioning
- Map pockets on front seatbacks
- Rear passenger grab handles

Communication and Connectivity

- Radio with CD player including MP3 CD reader with fingertip controls, 2 front speakers and 2 rear speakers



Discover the new Special Edition: Lauréate Prime

For 2015 only we have introduced a top of the range special edition – the Lauréate Prime. True to the ethos of Dacia, this special edition is well-equipped while remaining simple at heart and comes in an exclusive new metallic colour, Cosmos Blue.

In addition to everything you would expect to find on a Lauréate such as air conditioning, cruise control/speed limiter and alloy wheels, the standard specification includes not only the metallic paint as standard but also complementary interior detailing, a front central armrest and a new multimedia and navigation package – MediaNav Evolution.

The Lauréate Prime is incredibly well-equipped but, in true Dacia style, represents great value for money with just a £500 price premium over the Lauréate trim level.

Colours



Cosmos Blue (RPR)

Equipment

All the standard features of Lauréate trim including:

- ESC (Electronic Stability Control) with ASR (Traction Control)
- Manual air conditioning
- Cruise control and speed limiter
- 15" 'Sahara' alloy wheels
- Electric front windows
- 7-function on-board computer
- Front fog lights

Plus the following additional equipment as standard:

- Exclusive metallic paint : Cosmos Blue
- Dark metal finish on alloy wheels and door mirrors
- Comfort pack : leather steering wheel and electric rear windows
- Dark carbon cloth upholstery with blue fabric inserts
- Specific Lauréate Prime interior trim with blue seatbelts and floor mats with blue strip
- Front central armrest
- MediaNav Evolution 7" touchscreen multimedia system including :
 - Satellite navigation (GB and Northern Ireland mapping)
 - USB and AUX connection points
 - Bluetooth connectivity for handsfree telephony
 - Steering column-mounted fingertip controls
 - New design and hardware improvement vs. standard MediaNav (optional on Lauréate)
 - RDS – TMC (Traffic Message Channel) for live Info Traffic
 - Smartphone Voice Recognition and AHA application

Wheels



15" Dark metal 'Sahara' alloy wheels

Interiors and Upholstery



Dark carbon upholstery with blue inserts

Multimedia



MediaNav

Listening to the radio, connecting an MP3 player via USB and AUX connection points, making hands-free telephone calls wirelessly via Bluetooth connectivity or just stress free journey planning with the satellite navigation system. With MediaNav all of these functionalities are fully-integrated into one, state-of-the-art touchscreen multimedia system. As a £300 option on Lauréate trim level, that's less than the price of some handheld SatNavs.

Exclusively on Lauréate Prime: MediaNav Evolution

MediaNav Evolution contains all the great features of the standard MediaNav system and more still in terms of connectivity and functionality. Featuring a new design, increased memory capacity and Live Traffic Info through the TMC (Traffic Message Channel). MediaNav Evolution enables you to adjust your journey to avoid traffic jams. On top of this, improved smartphone connectivity with the AHA application allows you to access web radio (DAB), music services, podcasts, audio books and social media through a Bluetooth connection with your smartphone.

MediaNav Evolution is exclusively available as standard on the Lauréate Prime Special Edition and the optional MediaNav is available on Lauréate versions.

Colours

SOLID

METALLIC



Glacier White (369)



Cinder Red (B76)



Mercury (D69)



Pearl Black (676)



Stone (HNK)



Cosmos Blue (RPR)

Colour Code	Commercial Name	Access	Ambiance	Lauréate	Lauréate Prime
SOLID					
369	Glacier White	●	●	●	-
METALLIC					
B76	Cinder Red	-	○	○	-
D69	Mercury	-	○	○	-
676	Pearl Black	-	○	○	-
HNK	Stone	-	○	○	-
RPR	Cosmos Blue	-	-	-	●

Wheels



15" 'Gobi' steel wheels



15" 'Colorado' wheel trims



15" 'Sahara' alloy wheels



15" Dark metal 'Sahara' alloy wheels

	Access	Ambiance	Lauréate	Lauréate Prime
15" 'Gobi' steel wheels	●	-	-	-
15" 'Colorado' wheel trims	-	●	-	-
15" 'Sahara' alloy wheels	-	○	●	-
15" Dark metal 'Sahara' alloy wheels	-	-	-	●

● = Standard ○ = Optional - = Not available

Interiors and Upholstery

ACCESS



Black 'Element' cloth upholstery

AMBIANCE



Two tone 'Atom' cloth upholstery

LAUREATE



Dark carbon 'Quantum' cloth upholstery

LAUREATE PRIME



Dark carbon upholstery with blue inserts

Range Overview and Pricing

Version Name	Engines	Euro Status	HP	CO ₂ g/km	CO ₂ Band	Combined Fuel Consumption (mpg)	Benefit in Kind	Insurance Group	Basic Price (£)	VAT 20% (£)	Total Retail (£)	Manufacturer's "on the road" R.R.P [†]
Access	1.2 16v 75	5	75	135	E	48.7	20%	2E	4,345.83	869.17	5,215.00	£5,995.00
Ambiance	1.2 16v 75	5	75	135	E	48.7	20%	2E	5,012.50	1,002.50	6,015.00	£6,795.00
	TCe 90	5	90	116	C	56.5	16%	6E	5,787.50	1,157.50	6,945.00	£7,595.00
	dCi 90	5	90	99	A	74.3	15%	8E	6,620.83	1,324.17	7,945.00	£8,595.00
Lauréate	1.2 16v 75	5	75	135	E	48.7	20%	2E	6,012.50	1,202.50	7,215.00	£7,995.00
	TCe 90	5	90	116	C	56.5	16%	7E	6,787.50	1,357.50	8,145.00	£8,795.00
	dCi 90	5	90	99	A	74.3	15%	10A	7,620.83	1,524.17	9,145.00	£9,795.00
Lauréate Prime	TCe 90	5	90	116	C	56.5	16%	10A	7,204.17	1,440.83	8,645.00	£9,295.00
	dCi 90	5	90	99	A	74.3	15%	12A	8,037.50	1,607.50	9,645.00	£10,295.00

[†] Manufacturer's on the road recommended retail price includes delivery to the Dealer premises, 12 months government road fund licence (depending on CO₂ emissions) and first registration fee at £55. Other goods and services supplied by agreement between the customer and the Dealer are not included.



Options and Accessories

OPTIONS	Access	Ambiance	Lauréate	Lauréate Prime	Total Retail Price
Metallic paint	-	○	○	●	£495.00
Comfort Pack					
- Electric rear windows	-	-	○	●	£100.00
- Leather steering wheel					
15" 'Sahara' alloy wheels	-	○	●	●*	£425.00
Rear parking sensors	-	-	○	○	£250.00
MediaNav 7" touchscreen multimedia system including ⁽¹⁾ :					
- Radio with 2x front and 2x rear speakers					
- Satellite navigation (GB and Northern Ireland mapping)					
- USB and AUX connection points	-	-	○	-	£300.00
- Bluetooth connectivity for handsfree telephony					
- Steering column-mounted fingertip controls					
European mapping upgrade to MediaNav ⁽²⁾	-	-	○	-	£90.00
Western European mapping upgrade to MediaNav Evolution ⁽³⁾	-	-	-	○	£90.00
Dark carbon leather upholstery ⁽⁴⁾	-	-	○	○	£600.00
Alarm ⁽⁵⁾	-	○	○	-	£300.00
Emergency spare wheel	○	○	○	○	£95.00

(1) Replaces standard fit radio with CD Player system. (2) Can only be ordered in conjunction with MediaNav 7" touchscreen multimedia system. (3) Can only be ordered with Lauréate prime as option is unique to MediaNav Evolution.

(4) Genuine leather on central sections; synthetic leather on side and rear. (5) Post production fit.

* 15" Dark metal 'Sahara' alloy wheels

EXTENDED WARRANTY	Access	Ambiance	Lauréate	Lauréate Prime	Total Retail Price
5 yrs / 60,000 miles*	○	○	○	○	£395.00
7 yrs / 100,000 miles*	○	○	○	○	£850.00

* From first date of registration. Warranty expires on the first of the two limits reached.

ACCESSORY PACKS [†]	Access	Ambiance	Lauréate	Lauréate Prime	Total Retail Price
PROTECTION PACK⁽¹⁾					
"Monitor" carpet mats - front and rear	○	○	○	○	£225.00
Rear parking sensors					
Boot liner					
TOURING PACK					
Front central armrest	○	○	○	-	£280.00
Boot luggage net					
Transversal roof bars					
STYLING PACK					
Front Bumper Grid	○	○	○	○	£185.00
Fog Light Trims					
Front Door Sills					
Rear Door Sills					

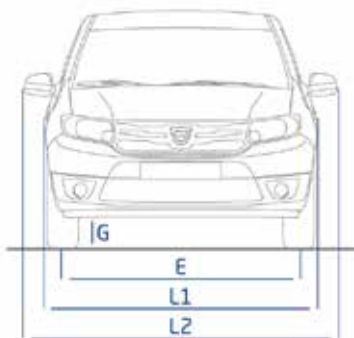
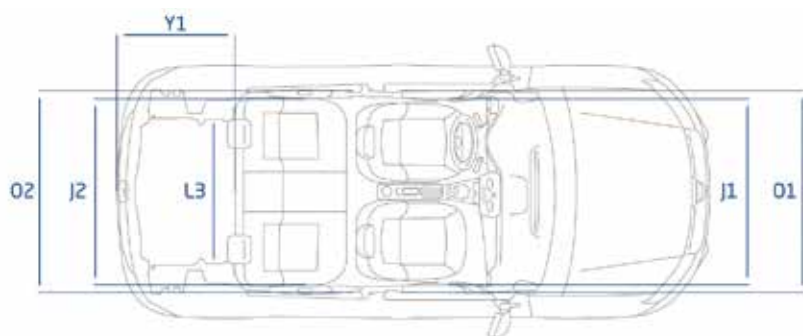
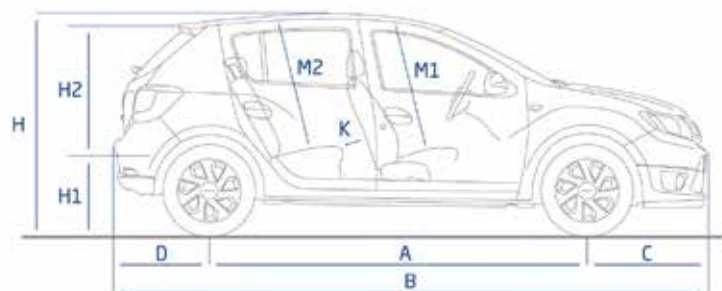
[†]Accessories pricing includes fitting. (1) Protection Pack for Lauréate Prime does not include "Monitor" carpet mats (front and rear) and is priced at £200 MRRP including VAT

Technical Specifications

	1.2 16v 75	TCe 90	dCi 90	
ENGINE	Engine type	D4F 732	H4Bt 400	K9K 612
	Type Mine	5SDAG4	5SDAA5	5SDCL5
	Cubic capacity (cm3)	1,149	898	1,461
	Number of cylinders/valves	4 in line / 16	3 in line / 12	4 in line / 8
	Fuel	Unleaded petrol	Unleaded petrol	Diesel
	Fuel injection type	Multipoint sequential	Multipoint sequential	Commonrail direct + multipoint injection
	Aspiration	Naturally-aspirated	Turbocharged	Turbocharged
	Particulate filter (PF)	-	-	Standard
	Bore x Stroke (mm)	69.0 x 76.8	72.2 x 73.1	76.0 x 80.5
	Compression ratio	9.8	9.5	15.5
Peak power KW (HP) @ RPM	55 (75) @ 5,500	66 (90) @ 5,250	66 (90) @ 3,750	
Peak torque (Nm) @ RPM	107 @ 4,250	135 @ 2,500	220 @ 1,750	
PERFORMANCE	Aerodynamics S (m2) / Cx	0.760	0.765	0.765
	Maximum Speed mph (km/h)	97 (156)	109 (175)	107 (173)
	0 - 62 mph - secs (0-100 km/h)	14.5	11.1	12.1
	400 m stopping distance (secs)	19.4	17.5	18.5
	1000 m stopping distance (secs)	36.2	32.8	33.9
FUEL CONSUMPTION* AND EMISSIONS	CO ₂ (g/km)	135	116	99
	Urban cycle - mpg (l/100 km)	37.2 (7.6)	44.1 (6.4)	65.7 (4.3)
	Extra-urban cycle - mpg (l/100km)	57.7 (4.9)	65.7 (4.3)	80.7 (3.5)
	Combined cycle - mpg (l/100km)	48.7 (5.8)	56.5 (5.0)	74.3 (3.8)
GEARBOX	Drive type	Front-wheel drive	Front-wheel drive	Front-wheel drive
	Gearbox type/index	JH3/077	JH3/336	JR5/373
	Number of forward gears	5	5	5
	Vehicle speeds (mph) per 1000 rpm: in 1st gear	4.21	4.21	5.98
	Vehicle speeds (mph) per 1000 rpm: in 2nd gear	7.66	8.02	11.39
	Vehicle speeds (mph) per 1000 rpm: in 3rd gear	11.26	12.72	18.07
	Vehicle speeds (mph) per 1000 rpm: in 4th gear	15.23	17.36	24.67
Vehicle speeds (mph) per 1000 rpm: in 5th gear	19.73	23.78	33.79	
STEERING	Steering type	Power-assisted (Hydraulic)	Power-assisted (Hydraulic)	Power-assisted (Hydraulic)
	Turning circle between pavements / walls (m)	10.7	10.7	10.7
	Number of turns (lock-to-lock)	3.2	3.2	3.2
SUSPENSION	Front suspension type	Pseudo McPherson with triangular arm		
	Rear suspension type	Flexible axle with programmed deflection and coil springs		
WHEELS / TYRES	Wheel size	6J15	6J15	6J15
	Tyre specification	185 / 65 / R15	185 / 65 / R15	185 / 65 / R15
	Front: - diameter (mm) / thickness (mm)	258 / 22	258 / 22	258 / 22
BRAKING	Rear: - diameter (inches)	8	8	8
	Anti-lock Braking System (ABS)	Standard	Standard	Standard
	Electronic Brakeforce Distribution (EBD)	Standard	Standard	Standard
	Emergency Brake Assist (EBA)	Standard	Standard	Standard
	ESC (Electronic Stability Control)	Standard	Standard	Standard
	FUEL TANK CAPACITY	Fuel tank capacity (litres)	50	50
Kerb Weight (Excluding Driver) (kg)		941	962	1,033
Unladen weight on front axle (kg)		572	588	662
Unladen weight on rear axle (kg)		369	374	371
WEIGHT	Gross vehicle weight (kg)	1,500	1,520	1,590
	Gross train weight (kg)	2,250	2,300	2,350
	Max payload (kg)	559	558	557
	TOWING CAPACITY	Max braked trailer (within gross train weight limit) (kg)	1,100	1,100
Max unbraked trailer (kg)		505	515	550

* Official Fuel consumption figures are produced for comparison purpose and are measured according to the European Directive 80/1268/EEC. These figures are specific for a vehicle type and not for a single car. Real world fuel (actual) consumption can vary as the fuel efficiency of a vehicle is influenced by driving behaviour, weather and road conditions. The use of technical equipment for example air conditioning, can also effect the fuel consumption. For further information, please visit the Vehicle Certification Agency web site www.vca.gov.uk.

Dimensions



EXTERIOR DIMENSIONS (mm)

A - Wheelbase	2,589
B - Overall bodywork length	4,058
C - Front overhang	813
D - Rear overhang	656
E - Front track	1,493
F - Rear track	1,476
G - Ground clearance	148
H - Unladen height	1,518
H1 - Unladen sill height	761
H2 - Rear tailgate height	622
Unladen height with hatchback open	2,004
J1 - Front shoulder width	1,387
J2 - Rear shoulder width	1,393
K - Rear knee room	144
L1 - Overall width without door mirrors	1,733
L2 - Overall width with door mirrors	1,994
L3 - Interior width between wheel arches	1,005
M1 - Distance between hip joint and ceiling in front seats	900
M2 - Distance between hip joint and ceiling in rear seats	880
O1 - Front elbow room	1,417
O2 - Rear elbow room	1,436
Y1 - Loading length, rear seat in place	856
Height beneath parcel shelf	469

BOOT VOLUME

Maximum boot capacity with rear seats in place (litres)	320
Maximum load capacity with rear seats folded down (litres)	1,200

Dacia Sandero



Network

To find your nearest Dacia dealer, please consult the dealer locator on our website at www.dacia.co.uk. Alternatively, you can call our Dacia Customer Services helpline on 0344 3351111.

Servicing

The service interval on all versions of Dacia Sandero is 1 year or 12,000 miles, whichever limit is reached first. Your local Dacia dealer is fully equipped to service your Dacia Sandero.

Warranty

Your new Dacia is covered by a standard 3 year / 60,000 mile* Warranty package. Under the terms of this Warranty, your Dacia dealer is able to repair or replace, without charge, parts that are found to have a material or assembly defect that is recognised by Dacia. Your new Dacia also comes with a 2 year paintwork warranty, as well as a 6 year anti-corrosion warranty.

Extended Warranty

At Dacia, we don't force you to pay a premium for a longer warranty if you don't want one, but we'll offer you the opportunity to purchase one if you do. By extending your warranty, you'll benefit from ongoing protection from mechanical and electrical failure after the standard manufacturer's warranty has expired. You can choose to extend your Warranty to the following levels:

- 5 years / 60,000 miles*
- 7 years / 100,000 miles*

Roadside Assistance

We don't expect it to happen, but we'll ensure help is on hand if it does. In the event of a breakdown, help is just a phone call away with Dacia Assistance. This service is provided 24 hours a day, 365 days a year. We'll provide prompt roadside assistance in the UK and Northern Ireland for the first 3 years / 60,000 miles*, in line with the terms of the standard manufacturer's Warranty.

* From first date of registration. Warranty expires on the first of the two limits reached.

Although every effort has been made to ensure that the information contained within this brochure is as accurate and up to date as possible, Dacia UK reserves the right to modify its models without notice, including their characteristics, specifications, equipment and accessories. Brochures inevitably become out of date or inaccurate in some respects, in that such characteristics, specifications, equipment, or accessories may be changed after the publication date given below and can differ from the descriptions given. It is therefore necessary to check with your Dacia Dealer before purchasing any product that the characteristics, specifications, equipment or accessories of the vehicle on order are as advertised. Publication date April 2015.

CHARTERHOUSE - PART NUMBER 7701 380 790 - APRIL 2015

Dacia UK Customer Relations, The Rivers Office Park, Denham Way, Maple Cross, Rickmansworth, Hertfordshire, WD3 9YS - Tel: 0344 3351111