



The Audi A3 and S3 Saloon range

Pricing and Specification Guide

Valid from January 2016

Personalising your Audi A3 Saloon

This guide has been designed to help you tailor and price your Audi A3 Saloon quickly and logically. At the back, you will find information on CO2 emissions-based taxation and services offered with your Audi, including Finance and Insurance. You can also configure your Audi A3 Saloon online at audi.co.uk



Get more from this brochure with the free Audi Vision app.

Audi Vision brings our brochures to life through Augmented Reality. It works by recognising images on a page through your device's camera. Suitable for compatible phones or tablets, download it for free from the App Store or Google Play. Once downloaded, simply open the app and scan the cover of your guide. Then look out for any page with the Audi Vision logo, you can then hold your device over the page and watch as you get exclusive access to extra images, information and video content.



The images featured in this guide are for illustrative purposes only. They may feature left-hand drive vehicles and include equipment that is not UK specification.

The Audi A3 Saloon

Engines	12
Transmission	13
Efficiency	14
quattro	16

Model details and prices

Sport Navigation model equipment	20
S line Navigation model equipment	24
S3 quattro Navigation model equipment	26
Model prices	28

Colour and upholstery

Paint	30
Upholstery	34
Colour and trim guide	40
Seats	41

Inlays	42
---------------	----

Options

Wheels, tyres and suspension	46
Packages	52
Audio and communication	54
Interior equipment	56
Exterior equipment	60
Safety and security	64

Looking after your Audi

Audi Complete and Warranty	68
Accessories	71
Merchandise	72
Audi Difference	73

Technical details

Technical data	74
Dimensions	80
Pricing and Additional information	82





Vorsprung durch Technik

Three words that express the very essence of Audi – Vorsprung durch Technik. It's not just a slogan, it's our way of seeing the world and the driving force behind our history of innovation that continues into the 21st century. Indeed, many technologies that have become synonymous with Audi remain in our cars today. Some are milestones in the history of the motorcar. From our beginnings in 1899, to the Auto Union team's Grand Prix successes in the 1930s and our more recent wins at Le Mans, we have always been at the forefront of the motor industry.

Vorsprung durch Technik makes us who we are. To see more of its influence, just read on.





The Audi A3 Saloon: Vorsprung durch Technik in its genes

With its innovative design and sophisticated technology, the Audi A3 Saloon is the perfect example of Vorsprung durch Technik. It's available with a choice of advanced petrol and diesel engines, from the 1.4 TFSI with cylinder-on-demand technology to the 2.0 TDI. And there's also a wide range of equipment and accessories to choose from, placing you behind the wheel of a car that suits you completely.









The A3 Saloon interior story

We've introduced a number of finishing touches to the interior of the Audi A3 Saloon to make your driving experience both comfortable and unique. You'll find an impressive attention to detail in everything from the 5.8" slimline, electrically extending colour display screen to the optional luxurious leather seating, which means that every journey you make will be a personal one.

Engines

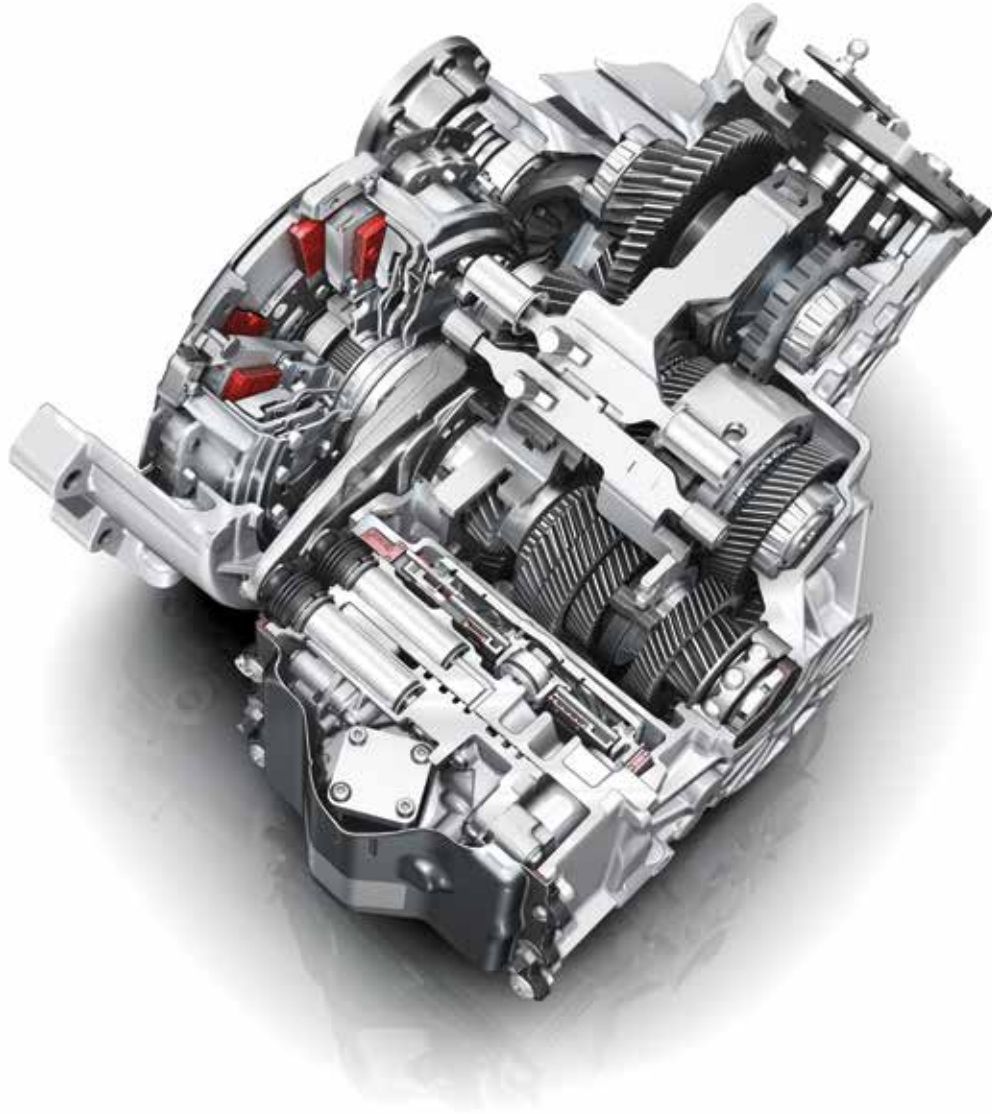
Petrol

FSI direct-injection technology was originally developed for the Le Mans 24-hour endurance race to deliver more power and torque, as well as enhanced fuel efficiency. Precisely the right amount of fuel and air are injected into the combustion chambers, enabling the engine to 'breathe' more easily. It results in reduced heat loss and increased output. We've also developed TFSI, with turbocharging – giving cars an extra injection of power.

Diesel

We introduced TDI to the roads in 1989, and since then, we've continuously refined it, including developing common-rail technology. Under this system, a series of piezo injectors uses electrical charge to precisely control the amount of fuel injected into the engine. As well as reducing noise, this allows combustion to happen at a lower temperature, with less oxygen.





Transmission

S tronic

Driving is all about thinking ahead, which is just what the S tronic dual-clutch transmission does. It works almost as two separate systems, one engaging the odd-numbered and the other the even-numbered gears. So when you're accelerating in second, it has third gear waiting for you. And once you make the switch, it's already thinking about fourth. With two clutches working together, you can change gears almost instantly while experiencing smooth, virtually uninterrupted power.

Efficiency

We've incorporated a number of technologies into the Audi A3 aimed to enhance your drive and improve efficiency.

TDI and FSI

Inside the engine of the Audi A3 Saloon you'll find the same advanced fuel-injection technology that's driven us to win after win at Le Mans. With TDI and FSI, fuel is injected directly into the engine's chambers so that combustion is timed right down to the millisecond. As a result, waste is minimised and you get the most from every last drop of fuel.

Gear-change indicator

Small changes to your driving style can have a big impact on your fuel economy. The gear-change indicator in the Audi A3 Saloon is there to indicate the optimum gear to use for any given speed, encouraging early upshifts to ensure you don't burn more fuel than is necessary.

Aerodynamics

A car's shape is one of the most important factors that influences its efficiency. It's why we've worked to make the Audi A3 Saloon as aerodynamic as possible.





Audi cylinder-on-demand

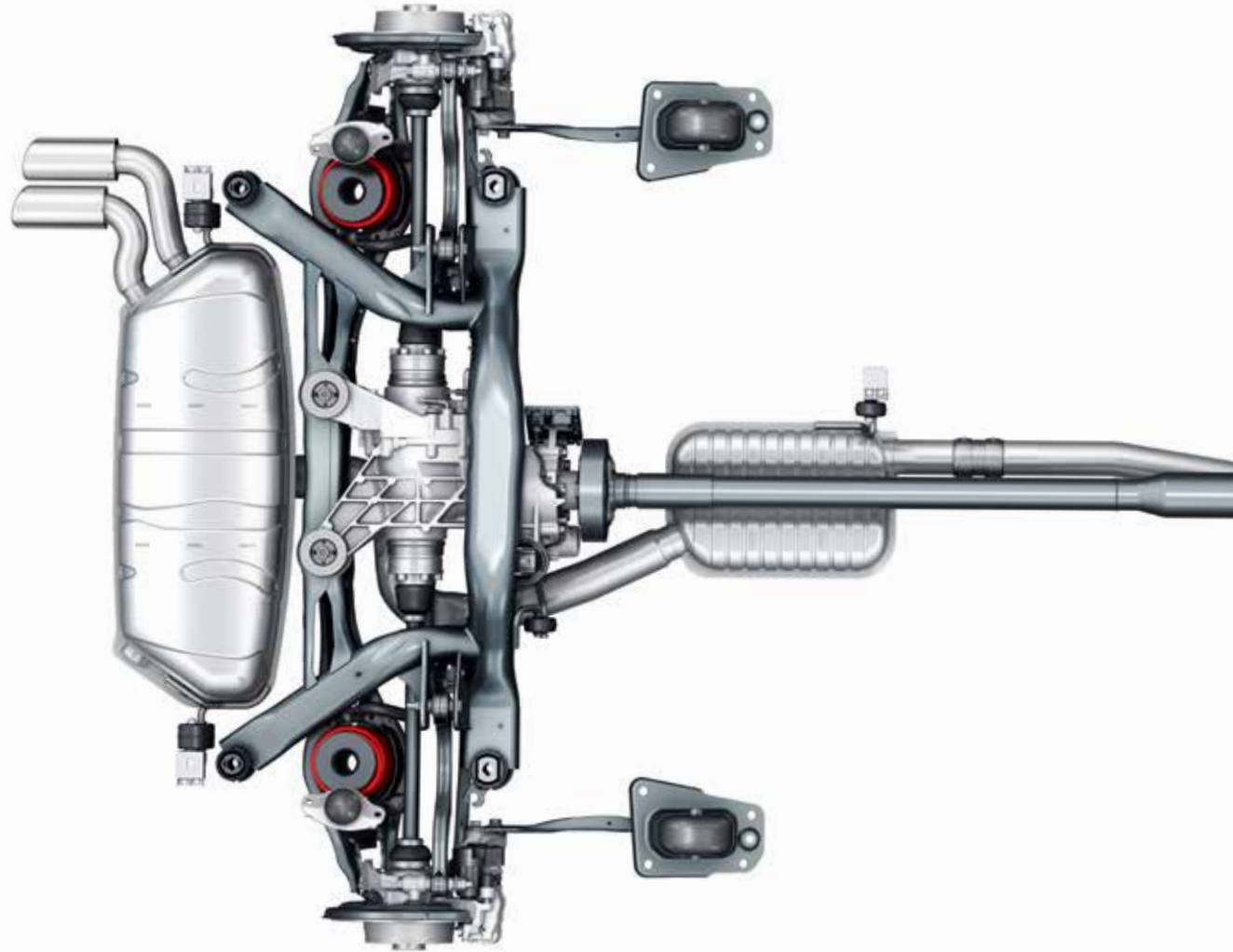
Dynamic performance does not necessarily equate to higher consumption – as the 1.4 TFSI cylinder-on-demand engine proves. Cylinder-on-demand technology automatically shuts down two of the four cylinders when the engine is operating at lower loads, particularly when cruising on the motorway or in city traffic. Out on the open road, meanwhile, the instantaneous power of TFSI, combining turbocharging with petrol direct injection, is ready and waiting.

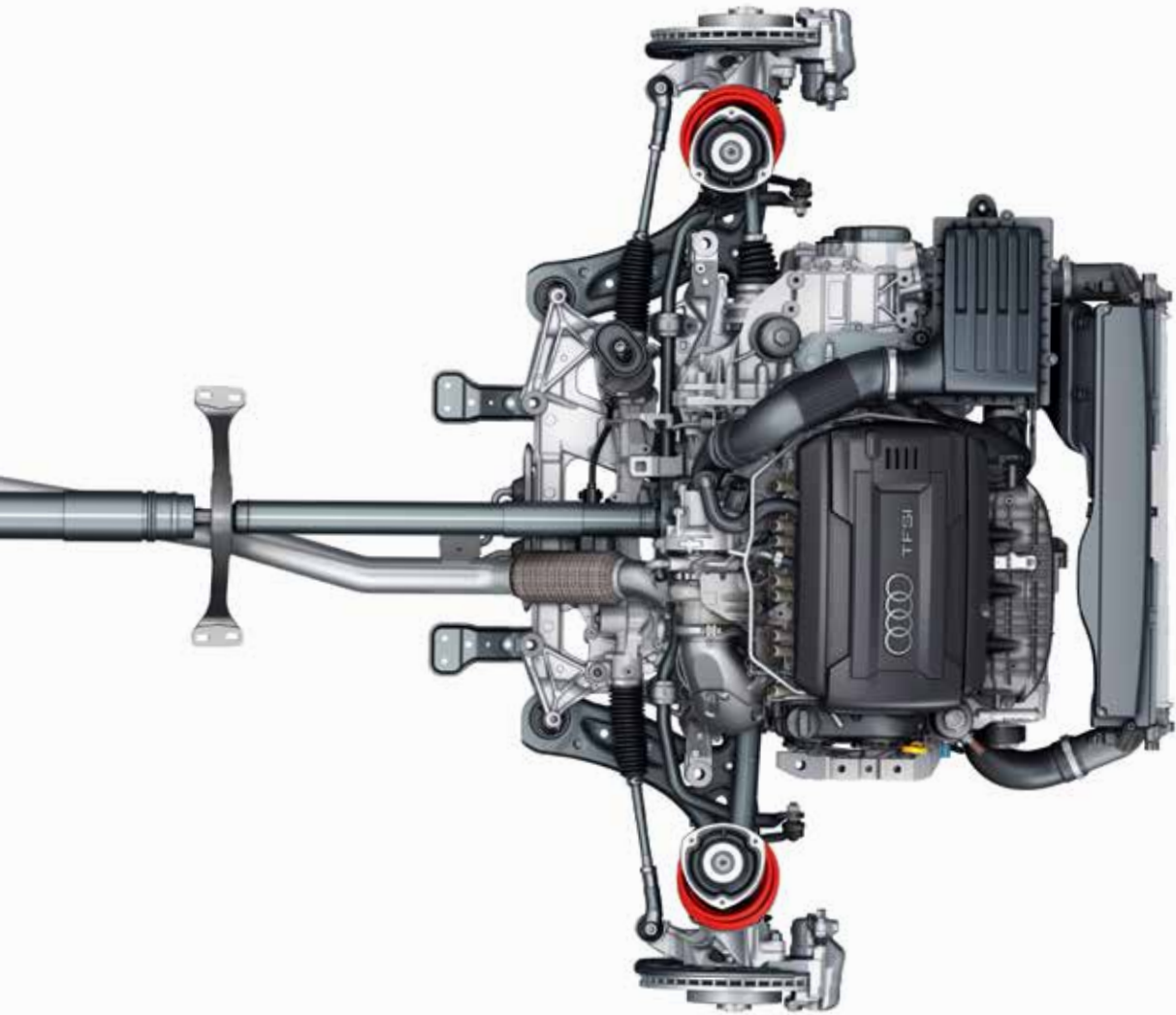
Recuperation

When a vehicle brakes, the discs convert the kinetic energy into thermal energy, which is wasted as it cannot be used. With a recuperation system, like the one fitted as standard on all A3 models, the kinetic energy is converted into useful electrical energy. The way it works is simple. While the car is coasting or braking, the alternator voltage is raised above the level of the basic electrical system, which enables the alternator to generate electrical energy and store it temporarily in the battery. When the vehicle accelerates, this energy is used to relieve the load on the alternator, resulting in a fuel saving of up to 3%.

quattro

It's the technology that has given Audi the edge on the rally circuit ever since it was first introduced over 30 years ago – a technology that helps deliver greater traction on all surfaces. It's called quattro permanent all-wheel-drive. The principle is simple: in the same way that four brakes ensure better deceleration, four permanently-driven wheels aid acceleration and road-holding by distributing power to each individual wheel as necessary. The result is a dynamic driving experience in all conditions.





In the Audi A3, the optional quattro all-wheel-drive continuously distributes drive power between the front and rear axles depending on weather conditions, road surface and gradient, which increases flexibility for an enhanced, sportier drive.





Sport Navigation model equipment

New A3 Saloon Sport Navigation models have the following items of standard equipment

Engine and transmission

Efficiency programme in the Driver's Information System (DIS) – provides the driver with tips such as a gear change indicator on manual models and details of other vehicle functions that consume fuel

Start-Stop system with energy recuperation

Wheels, tyres and suspension

17" x 7.5J '5-arm' design alloy wheels with 225/45 R17 tyres

Anti-theft wheel bolts

Audi Drive Select – changes vehicle characteristics by adapting power steering assistance, accelerator and gear-shift characteristics (for models with S tronic). The system also influences other optional equipment through five available modes: Comfort, Auto, Dynamic, Efficiency and Individual. The Efficiency mode adapts the engine characteristics, enables free-wheeling mode with the S tronic transmission and engages the climate control and the optional adaptive cruise control into an efficient fuel-saving setting

Electromechanical parking brake – includes parking brake function when the car is stationary, auto-release function to assist when pulling away and emergency braking function

Electromechanical power steering

Space-saving spare wheel – for temporary use

Sport suspension – lowered by 15mm with stiffer suspension and damping for more direct contact with the road and sporty handling. Deselection of Sport suspension is available as a no-cost downgrade, and if chosen, the Sport suspension lowering is removed and the suspension is returned to the standard ride height and damping

Audio and communication

Satellite Navigation system – SD card-based.

Route planning and guidance using voice, pictogram and 2D mapping shown on the 5.8" colour display screen. Can be operated via the MMI controls, multi-function steering wheel or voice control system. Includes European map data and 7-digit postcode recognition

5.8" QVGA colour display screen – electrically extending, slimline design, with 400 x 240 pixel resolution

8 passive speakers in total, at the front and rear with a total output of 80 watts

MMI radio which includes:

- Single CD player and two SDXC memory card readers (up to 2TB) which are both MP3, WMA and AAC compatible
- MMI control panel
- FM and AM (MW) reception
- 50-station memory with dynamic station list
- Speed-dependent volume control
- TP memo, which automatically saves traffic news when driving

Audi Music Interface (AMI) – provides connection to Apple iPod from 4th generation and Apple iPhone, as well as USB storage media and MP3 players. Located in the centre console and operated using the MMI control panel, multi-function steering wheel or voice control

Bluetooth interface – for hands-free mobile phone connectivity and Bluetooth audio streaming (depending on compatibility of mobile phone and software version, please visit audi.co.uk/phonecompatibility)



17" x 7.5J '5-arm' design alloy wheels



Audi Drive Select



5.8" QVGA colour display screen

Colour Driver's Information System (DIS) – 3.5" high-resolution colour display in the dashboard binnacle. The DIS shows the radio frequency/station or track title, telephone control menu and other display information from the infotainment system such as navigation (if fitted). Includes an on-board trip computer with short and long-term trip memory, outside temperature display, digital speedometer and door or boot-open warning. Also includes a rest recommendation system which monitors steering movements and pedal usage and warns the driver when a rest might be required

DAB digital radio reception. Integrated into the MMI, receives digitally transmitted radio stations in addition to the range of analogue stations. Displays music track, artist and radio programme. Capable of 'DAB slideshow' where transmitted. Reception dependent on local digital network

Voice control system – for key telephone and radio functions

Seats

ISOFIX child seat mounting for front passenger (with airbag deactivation) and outer rear seats. Including Top Tether attachment point for the outer rear seats

Front Sport seats, with shaped side bolsters for better lateral support when cornering, manual forwards/backwards and backrest angle adjustment, manual adjustment of the seat height (on the driver and front-passenger side), the head restraint and belt height as well as the seat cushion angle adjustment and extendable thigh support

Rallye cloth upholstery – seat centre sections in Rallye cloth design. The seat side bolsters, head restraints as well as door and rear side panel inserts are in single-colour cloth

Split-folding rear seats – 60/40 or all

Interior

3-spoke leather-trimmed Sport multi-function steering wheel, with gear-shift paddles on S tronic models

Air vents in aluminium look, which can be adjusted from wide diffuse air distribution to a particular spot diffuse

Aluminium door sill trims

Aluminium interior elements – on the vents, glove compartment, mirror adjustment switches, window control switches, frame around the inside door handle, coin box, control buttons for the parking brake and the hold assist button (if fitted)

Cloth headlining

Coat hooks on the B-pillar on the left and right side

Cup holders – 2 in the front located in the centre console in front of the gear knob

Dual-zone electronic climate control with sunlight-dependent control, separate pre-selectable control for driver and front passenger. Electronically regulates the air temperature, air flow rate and air distribution. Automatic recirculation mode by means of air quality sensor, combined filter, rear vents and humidity regulation for more efficient climate control

Electric front and rear windows

Front and rear floor mats – in velour to match interior colour

Front centre armrest with angle and lengthways adjustment

Inlays in Aluminium mistral silver

Interior lighting – front and rear with delayed switch-off and contact switches on all doors. Also includes glove box and luggage compartment light

Lashing points – 4 in luggage compartment, to prevent movement of luggage and other objects, attachment points for the optional luggage securing net

Smoking package with cigarette lighter, 12V socket in the centre console and an ashtray with the Audi rings

Storage compartments in the door side trims, in the centre console and under the driver's seat

Sun visors – folding and swivelling, on driver's and front passenger's side, with covered vanity mirror



Sport seat in Black Rallye cloth*



Aluminium door sill trim



Dual-zone electronic climate control

*Image shown also includes optional electric lumbar support and under-seat storage.

Sport Navigation model equipment

continued

Exterior equipment

Aluminium window trims – framing the exterior side windows

Chrome exhaust tailpipe trims

Chrome front fog light surrounds

Door mirrors – electrically adjustable and heated with built-in LED side indicators and painted in body colour

Front fog lights

Halogen headlights with electric headlight range control and daytime-running lights

Heated rear window

Heated windscreen washer jets

Model and engine technology (TDI or TFSI) badges at the rear

Rear lights – with reversing lights in white and rear fog lights, including high-mounted third brake light and LED number plate light

Exhaust tailpipe – single tailpipe on 1.6 TDI, double tailpipes on the left on all other engines

Washer fluid level indicator

Safety and security

Adaptive brake light – the brake light flashes during an emergency stop to warn following traffic. Hazard warning lights automatically activated if vehicle comes to a standstill

Airbags – driver, front passenger and front side airbags with head-level airbag system for front and rear and knee airbag for the driver. Includes a front passenger airbag deactivation switch

Anti-Slip Regulation (ASR) reduces engine power to prevent the drive wheels from spinning, resulting in more stability and improved traction

Anti-lock Brake System (ABS) and Electronic Brake-Force Distribution (EBD); hydraulic brake assist, disc brakes at front and rear, ventilated at front

Electronic Differential Lock (EDL). On surfaces with varying levels of grip, this start-off assistant automatically brakes the driven wheels on any surface that is too slippery, thereby ensuring smooth, powerful progress

Electronic Stabilisation Control (ESC), ensures greater stability in hazardous situations through targeted braking of individual wheels and intervention in the engine management system and helps to stabilise the vehicle by changing the steering torque

First-aid kit

Manual child locks on rear doors

Secondary collision brake assist – in the event of an accident, this function automatically brakes the car to prevent secondary collisions

Remote central locking with two fold-away keys

Rest recommendation system

Seat belt reminder for all seats

Thatcham Category 1 alarm and immobiliser, with tow-away protection and interior monitoring (both of which can be switched off)

Tool kit and car jack

Tyre pressure loss indicator – visual and acoustic warning if the pressure drops in one or more tyres

Warning triangle





Image shows the A3 Saloon Sport model with optional Misano red, pearl effect paint (N9), 17" '10-spoke Dynamic' design alloy wheels (C51) and LED light package (PG1)

S line Navigation model equipment

In addition to
Sport Navigation
model equipment

Total RRP inc VAT*
£2,150.00

Wheels, tyres and suspension

18" x 8J '5-parallel-spoke' design partly polished alloy wheels with 225/40 R18 tyres

Sport suspension, lowered by 15mm (same suspension as Sport). Deselection of Sport suspension is available as a no-cost downgrade, and if chosen, the Sport suspension lowering is removed and the suspension is returned to the standard ride height and damping. S line Sport suspension, lowered by an additional 10mm, is also available as a no-cost upgrade

Seats

Biathlon cloth/leather upholstery with S line embossing and contrasting silver stitching on the upholstery, steering wheel and gear knob gaiter

Interior equipment

Black headlining

Door sill trims with S line logo

Illuminated vanity mirrors

Inlays in matt-brushed aluminium

Perforated leather gear knob

Flat-bottomed S line 3-spoke leather multi-function steering wheel, with perforated leather grips and gear-shift paddles on S tronic models

Storage and luggage compartment package

- includes storage nets on the back of the front-seat backrests, storage net in the front-passenger footwell, storage compartment under the rear bench (including two high-visibility vests), 12V socket in the rear centre console. In the luggage compartment: LED light, net in the side compartment (excludes quattro engines), luggage compartment net, 12V socket

Exterior equipment

Front fog light surrounds in High-gloss black

Radiator grille in High-gloss black

S line badges on the front wings

S line design body styling comprising:

- S line front bumper
- S line rear diffuser with Platinum grey insert
- S line side sills

Xenon Plus headlights with automatic/dynamic headlight range control, LED daytime-running light strip and headlight washers. Also includes LED rear lights, brake lights and rear indicators



18" x 8J '5-parallel-spoke' design partly polished alloy wheel



Front fog light surrounds and radiator grille in High-gloss black



Xenon Plus headlights with LED daytime-running light strip



Rear lights, brake lights and rear indicator all featuring LED technology



Image shows the A3 Saloon S line model with optional Daytona grey, pearl effect paint (6Y)

S3 quattro Navigation model equipment

In addition to Sport Navigation model equipment

Wheels, tyres and suspension

19" x 8J '5-twin-spoke Star' design anthracite, partly polished alloy wheels with 235/35 R19 tyres

Audi Magnetic Ride. Continuously adapts the suspension damping to the changing driving situation. It does this automatically and in just a few fractions of a second by means of an electronically controlled magnetic field. This results in impressive handling dynamics accompanied by a remarkably high degree of ride comfort

'S' Sport suspension with more dynamic spring/damper settings and lowered by 25mm compared to the A3 standard suspension

Progressive steering enhances driving comfort by reducing steering effort in town traffic and when manoeuvring, as well as the driving dynamics through a direct and progressive steering ratio; in addition, the progressive steering also has speed-dependent steering assistance which can be configured via Audi Drive Select

Seats

Fine Nappa leather upholstery with 'S' embossing and contrasting silver stitching on the upholstery, steering wheel and gear knob gaiter

Heated front seats. Individually controlled variable temperature adjustment for driver and front passenger seats

Interior equipment

Flat-bottomed S3 3-spoke leather multi-function steering wheel, with contrast stitching and gear-shift paddles on S tronic models

Illuminated vanity mirrors

Inlays in matt-brushed aluminium

Instrument dials in grey with white needles and aluminium look needle hub and S3 logo. Includes a boost pressure display in the rev counter

Pedals in brushed stainless steel

'S' logo on the MMI and Driver's Information System (DIS) display

Storage and luggage compartment package – includes storage nets on the backs of the front seat back rests, storage net in the front passenger footwell, 12V socket in the rear centre console and storage compartment under the rear seat (including two high-visibility vests). In the luggage compartment there is a luggage securing net, 12V socket and additional LED lighting

Exterior equipment

Brake calipers painted in black with S3 logo at the front

Door mirrors with aluminium-look housing

Radiator grille in platinum grey with horizontal double chrome bars

'S' design body styling comprising:

- S3 front bumper with air intake grilles in a honeycomb structure and double chrome bars. Also includes additional air intake funnels in place of the front fog lights and aluminium-look blades defining the lower edge of the bumper
- Rear diffuser incorporating dual-branch oval twin tailpipes and double chrome bar at the top of the diffuser
- Door sill trims with S3 logo
- S3 rear spoiler

Xenon Plus headlights with automatic/dynamic headlight range control, LED daytime-running light strip and headlight washers. Also includes LED rear lights, LED brake lights and LED rear indicators



19" x 8J '5-twin-spoke Star' design anthracite, partly polished alloy wheel



Instrument dials – rev counter with boost pressure display



'S' design rear body styling



Xenon Plus headlights with LED daytime-running light strip



Image shows the S3 Saloon model with optional Misano red, pearl effect paint (N9), LED headlights (PX7) and Red brake calipers (PC2)

A3 Saloon Sport Navigation

Engines	Power	Transmissions	CO ₂ g/km**	Total RRP inc VAT [^]	Recommended OTR [†]
1.4 TFSI*	150PS	6-speed manual	110	£22,900.00	£23,585.00
1.4 TFSI*	150PS	7-speed S tronic	110	£24,380.00	£25,065.00
1.6 TDI	110PS	6-speed manual	104	£23,000.00	£23,685.00
1.6 TDI	110PS	7-speed S tronic	104	£24,480.00	£25,165.00
1.6 TDI quattro	110PS	6-speed manual	127	£24,430.00	£25,115.00
2.0 TDI	150PS	6-speed manual	107	£24,350.00	£25,035.00
2.0 TDI	150PS	6-speed S tronic	118	£25,830.00	£26,515.00
2.0 TDI quattro	150PS	6-speed manual	125	£25,780.00	£26,465.00
2.0 TDI	184PS	6-speed manual	112	£25,620.00	£26,305.00
2.0 TDI quattro	184PS	6-speed S tronic	127	£28,530.00	£29,215.00

*With cylinder-on-demand technology.

**Please note: CO₂ emissions can change if a different size alloy is ordered onto the vehicle. This may also lead to a change to the VED amount payable. Please refer to pages 48, 49, 75, 76, 79 and 83 for more information. Value based on standard EU test figures for comparative purposes and may not reflect real driving results.

Please note: The maximum power output figures are quoted in PS (or Pferdestärke, which is the metric equivalent of brake horsepower). To convert to brake horsepower, divide the PS figure by 1.0139.

[^]Total RRP inc VAT – Recommended Retail Price including VAT which is calculated at 20%. This may alter to reflect any change in the applicable VAT rate.

[†]Recommended On-The-Road (OTR) retail prices include: delivery charge, half a tank of fuel, number plates at £630.00 (inc. VAT), Road Fund Licence (which may vary depending on model/transmission – see page 83 for details) and first registration fee at £55.00. Vehicle Excise Duty correct at time of going to print, but this may alter to reflect any change in the applicable VED rate.

A3 Saloon S line Navigation

Engines	Power	Transmissions	CO ₂ g/km**	Total RRP inc VAT [^]	Recommended OTR [†]
1.4 TFSI*	150PS	6-speed manual	112	£25,050.00	£25,735.00
1.4 TFSI*	150PS	7-speed S tronic	113	£26,530.00	£27,215.00
1.8 TFSI quattro	180PS	6-speed S tronic	153	£29,610.00	£30,475.00
1.6 TDI	110PS	6-speed manual	106	£25,150.00	£25,835.00
1.6 TDI	110PS	7-speed S tronic	106	£26,630.00	£27,315.00
2.0 TDI	150PS	6-speed manual	108	£26,500.00	£27,185.00
2.0 TDI	150PS	6-speed S tronic	120	£27,980.00	£28,665.00
2.0 TDI quattro	150PS	6-speed manual	127	£27,930.00	£28,615.00
2.0 TDI	184PS	6-speed manual	114	£27,770.00	£28,455.00
2.0 TDI quattro	184PS	6-speed S tronic	129	£30,680.00	£31,365.00

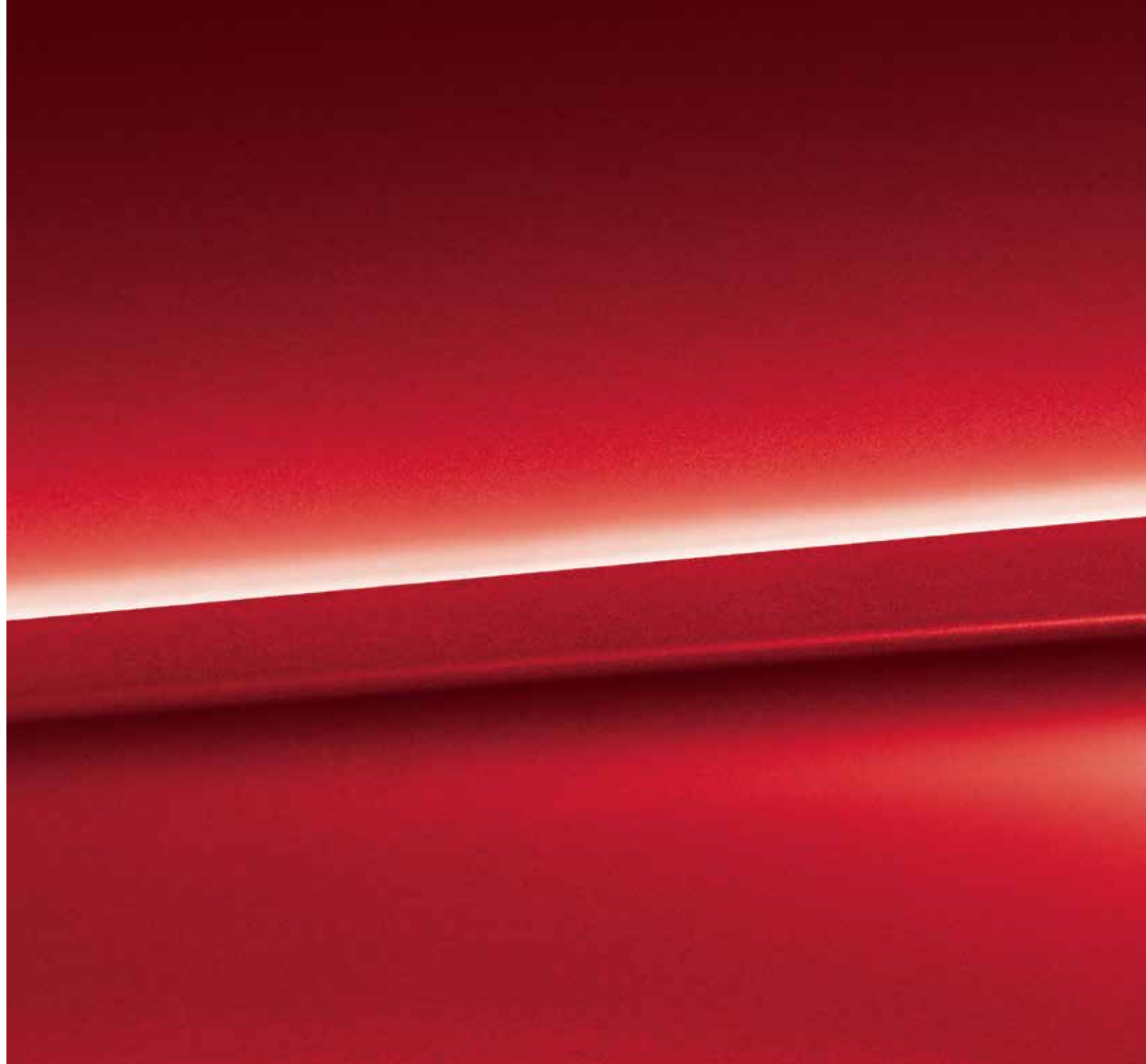
S3 Saloon Navigation

Engines	Power	Transmissions	CO ₂ g/km**	Total RRP inc VAT [^]	Recommended OTR [†]
2.0 TFSI quattro	300PS	6-speed manual	164	£32,965.00	£33,830.00
2.0 TFSI quattro	300PS	6-speed S tronic	160	£34,445.00	£35,310.00



Paint

We believe that every part of your car should have a personal touch. Which is why you can choose from a wide range of paint colours, from solid paint to metallic and pearl effect finishes.





Paint

You can select one of the standard colours shown opposite or, for a different look, choose from the range of metallic or pearl-effect finishes.

Options are subject to availability and may extend time taken for delivery.

*Not available on S3

All the colour swatches on this page are matched as accurately as possible to the actual paint colours used. However, due to print processes, Audi UK cannot guarantee that colours shown are 100% accurate.

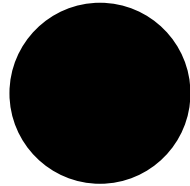
Visit your local Audi Centre for a more accurate colour swatch.

*Total RRP inc VAT – Recommended Retail Price including VAT which is calculated at 20%. This may alter to reflect any change in the applicable VAT rate.

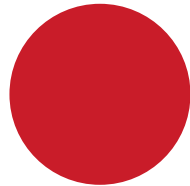
Standard colours



Ibis white – T9

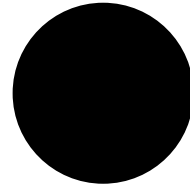


Brilliant black – A2

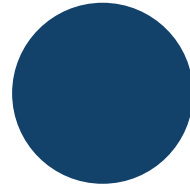


Brilliant red – C8

Optional colours



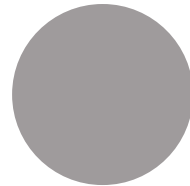
Mythos black, metallic – 0E



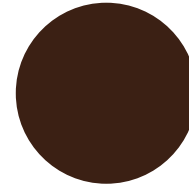
Scuba blue, metallic – S9*



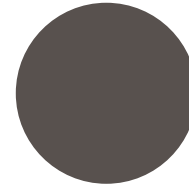
Glacier white, metallic – 2Y



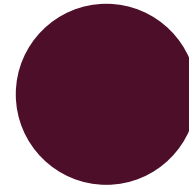
Lotus grey, metallic – 2Z*



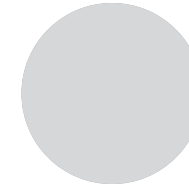
Beluga brown, metallic – M5



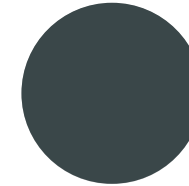
Dakota grey, metallic – Y7*



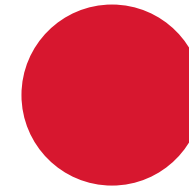
Shiraz red, metallic – 3A*



Floret silver, metallic – L5

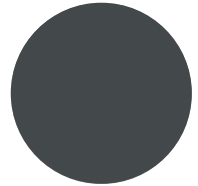


Monsoon grey, metallic – 0C



Misano red, pearl effect – N9

S line colour

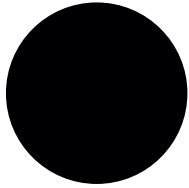


Daytona grey, pearl effect – 6Y

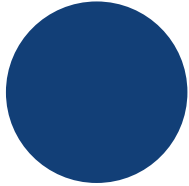
**Optional colours
Metallic and
Pearl effect**

Total RRP inc VAT*
£550.00

**S3 quattro
Navigation colour**



Panther black,
crystal effect - H8



Sepang blue, pearl effect - E9

**S3 quattro
Navigation colour
Crystal effect**

Total RRP inc VAT[†]
£775.00

Paint

Audi exclusive

Everyone has a favourite colour. No matter what yours is, Audi exclusive provides a range of unique colours that have been designed to set your car apart. Choose from the swatches here, or specify any other paint colour in the Audi range.*

Customised

If you have a particular colour in mind, we'll mix the exact metallic or pearl-effect shade you want.**

Options are subject to availability and may extend time taken for delivery.

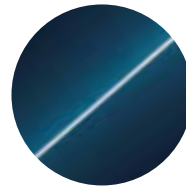
*Audi exclusive paint is subject to factory approval. Visit your local Audi Centre for colour samples.

**Customised paint is subject to factory approval, and is available for metallic and pearl-effect water-based paints only. Three-colour process colours and two-tone schemes are not available.

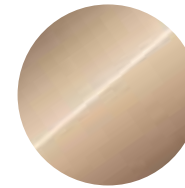
All the colour swatches on this page are matched as accurately as possible to the actual paint colours used. However, due to print processes, Audi UK cannot guarantee that colours shown are 100% accurate.

Visit your local Audi Centre for a more accurate colour swatch.

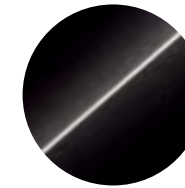
[†]Total RRP inc VAT - Recommended Retail Price including VAT which is calculated at 20%. This may alter to reflect any change in the applicable VAT rate.



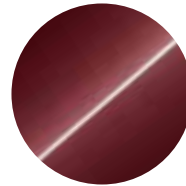
Palace blue, pearl effect



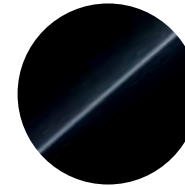
Sand beige, pearl effect



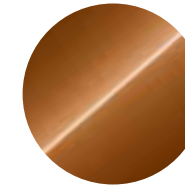
Saddle brown, pearl effect



Classic red, pearl effect



Mamba black, metallic



Ipanema brown, metallic



Any colour in the Audi range or
100 exclusive colours to choose from*



Customised paint**

Audi exclusive*

Total RRP inc VAT[†]
£2,025.00

Customised**

Total RRP inc VAT[†]
£2,525.00

Upholstery

It's important to feel comfortable on the road. Just choose from our range of luxury upholstery materials and textures, including additional support and colour options, for complete relaxation while you drive.





Upholstery

A3 Saloon Sport Navigation models



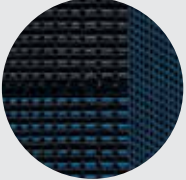
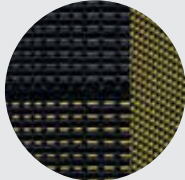

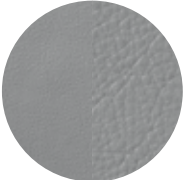
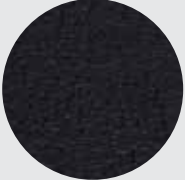
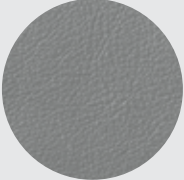

Choose your favourite upholstery from the swatches shown opposite to give your car's interior the look and feel you want.

Options are subject to availability and may extend time taken for delivery.

- = Not available
- = Available
- S = Standard

All the colour swatches on this page are matched as accurately as possible to the actual upholstery colours used. However, due to print processes, Audi UK cannot guarantee that colours shown are 100% accurate.

*Total RRP inc VAT – Recommended Retail Price including VAT which is calculated at 20%. This may alter to reflect any change in the applicable VAT rate.

				Sport Navigation	S line Navigation	S3 quattro Navigation	Total RRP inc VAT*	
Rallye cloth	 <p>Black - FZ</p>	 <p>Black/silver - KY</p>	 <p>Black/blue - LQ</p>	<p>Sport seats in Rallye cloth. Seat centre panel in Rallye cloth, colour-coordinated cloth in shoulder area and seat side bolsters, head restraints, door/side panel trim inserts and front centre armrest in single-colour cloth</p>	S	-	-	£0.00
	 <p>Black/yellow - RR</p>							
Alcantara/leather	 <p>Black - FZ</p>	 <p>Titanium grey - VQ</p>		<p>Sport seats in Alcantara/leather. Seat centre panel and door/side panel trim inserts in Alcantara; seat side bolsters and head restraint centre panel in leather and the front centre armrest in synthetic leather. Only in conjunction with Storage and luggage package (QE1)</p>	•	-	-	£795.00
Milano leather	 <p>Black - FZ</p>	 <p>Titanium grey - VQ</p>	 <p>Chestnut brown - VR</p>	<p>Sport seats in Milano leather. Seat centre panel, seat side bolsters and head restraint centre panel in Milano leather, shoulder area in velvet and front centre armrest and door/side panel trim inserts in synthetic leather. Only in conjunction with Storage and luggage package (QE1)</p>	•	-	-	£1,115.00

Upholstery

A3 Saloon Sport
Navigation models

Options are subject to availability and may extend time taken for delivery.

- = Not available
• = Available
S = Standard

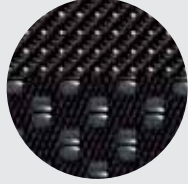


*Image shown also includes optional electric lumbar support and under-seat storage which is part of the storage package, both of which are available at additional cost.



Sport seat* in Rallye cloth with Black/silver upholstery

Upholstery

A3 Saloon S line
Navigation models

			Sport Navigation	S line Navigation	S3 quattro Navigation	Total RRP inc VAT*
Biathlon cloth/ Pearl Nappa leather		Biathlon cloth/leather with S line embossing on the front seats. Seat centre sections in Biathlon cloth. Door trim inserts, head restraints, seat side bolsters and front centre armrest in Pearl Nappa leather. Contrasting silver stitching on the upholstery, steering wheel and gear knob gaiter	–	S	–	£0.00
Perforated Alcantara/leather		Perforated Alcantara/leather with S line embossing on the front seats. Seat centre sections in perforated Alcantara and door trim inserts in Alcantara (non-perforated). Head restraints, seat side bolsters in leather and front centre armrest in synthetic leather. Contrasting silver stitching on the upholstery, steering wheel and gear knob gaiter	–	●	–	£480.00
Fine Nappa leather		Fine Nappa leather with S line embossing on the front seats. Seat centre sections, seat side bolsters, head restraints and front centre armrest in Fine Nappa leather. The upper shoulder sections are finished in velvet. Door/side panel trim inserts in synthetic leather. Contrasting silver stitching on the upholstery, steering wheel and gear knob gaiter	–	●	–	£795.00

Options are subject to availability and may extend time taken for delivery.





- = Not available
- = Available
- S = Standard

All the colour swatches on this page are matched as accurately as possible to the actual upholstery colours used. However, due to print processes, Audi UK cannot guarantee that colours shown are 100% accurate.

*Total RRP inc VAT – Recommended Retail Price including VAT which is calculated at 20%. This may alter to reflect any change in the applicable VAT rate.

Upholstery

S3 quattro Navigation models

			Sport Navigation	S line Navigation	S3 quattro Navigation	Total RRP inc VAT*
Alcantara/leather		Black - XG/IM	-	-	●	£0.00
		Lunar silver - XL/XQ				
<p>Alcantara/leather with S3 embossing on the front seats. Seat centre sections and door trim inserts in Alcantara. Head restraints and seat side bolsters in leather, and front centre armrest in synthetic leather</p>						
Fine Nappa leather		Black - XG/IM	-	-	S	£0.00
		Lunar silver - XL/XQ				
<p>Fine Nappa leather with S3 embossing on the front seats. Seat centre sections, seat side bolsters, head restraints and front centre armrest in Fine Nappa leather. Upper shoulder sections in velvet and door trim inserts are finished in synthetic leather</p>						

Options are subject to availability and may extend time taken for delivery.

- = Not available
- = Available
- S = Standard

All the colour swatches on this page are matched as accurately as possible to the actual upholstery colours used. However, due to print processes, Audi UK cannot guarantee that colours shown are 100% accurate.

*Total RRP inc VAT – Recommended Retail Price including VAT which is calculated at 20%. This may alter to reflect any change in the applicable VAT rate.

Colour and trim guide

Interior trim colours

Sport Navigation models

To help you choose the right interior for your new Audi A3 Saloon, please use this guide, showing the carpet, dashboard and headlining colours that have been matched to your chosen upholstery.

Order Code	Upholstery	Carpet	Dashboard (upper/lower)	Headlining	Rallye cloth (N5B)	Alcantara/leather (N7U)	Milano leather (N5W)
FZ	Black	Black	Black/Black	Lunar silver	●	●	●
KY	Black/Silver	Black	Black/Black	Lunar silver	●	—	—
LQ	Black/Blue	Black	Black/Black	Lunar silver	●	—	—
RR	Black/Yellow	Black	Black/Black	Lunar silver	●	—	—
VQ	Titanium grey	Titanium grey	Black/Titanium grey	Lunar silver	—	●	●
VR	Chestnut brown	Black	Black/Black	Lunar silver	—	—	●

S line Navigation models

Order Code	Upholstery	Carpet	Dashboard (upper/lower)	Headlining	Biathlon cloth/Pearl Nappa leather (N7V)	Perforated Alcantara/leather (N7K)	Fine Nappa leather (N2R)
QF	Black	Black	Black/Black	Black	●	●	●

S3 quattro Navigation models

Order Code	Upholstery	Carpet	Dashboard (upper/lower)	Headlining	Alcantara/ Fine Nappa leather (N4U)	Fine Nappa leather (N3M)
XG	Black with silver stitching	Black	Black/Black	Black	●	●
IM	Black with silver stitching	Black	Black/Black	Lunar silver	●	●
XL	Lunar silver	Black	Black/Black	Black	●	●
XQ	Lunar silver	Black	Black/Black	Lunar silver	●	●

Options are subject to availability and may extend time taken for delivery.

- = Not available
- = Available
- S = Standard

Seats

Choose from a variety of different seat options so you can maintain the correct driving posture at all times.

Order Code		Sport Navigation	S line Navigation	S3 quattro Navigation	Total RRP inc VAT*
7P1	Electric lumbar support. For front seats with horizontal and vertical adjustment	●	●	●	£195.00
4A3	Heated front seats. Individually controlled variable temperature adjustment for driver and front passenger seats	●	●	S	£295.00
3L5	Electric front seats. Includes adjustment for height, forwards and backwards position and backrest angle. Only in combination with electric lumbar support (7P1)	●	●	●	£550.00
PS6	Super Sport seats (front) in black Fine Nappa leather with integrated head restraints, pronounced side bolsters for improved lateral support when cornering, manual seat adjustment including adjustment of the seat cushion angle with extendable thigh support and electric lumbar support. On S3, S embossing is included	-	●	-	£1,590.00
		-	-	●	£795.00



Options are subject to availability and may extend time taken for delivery.

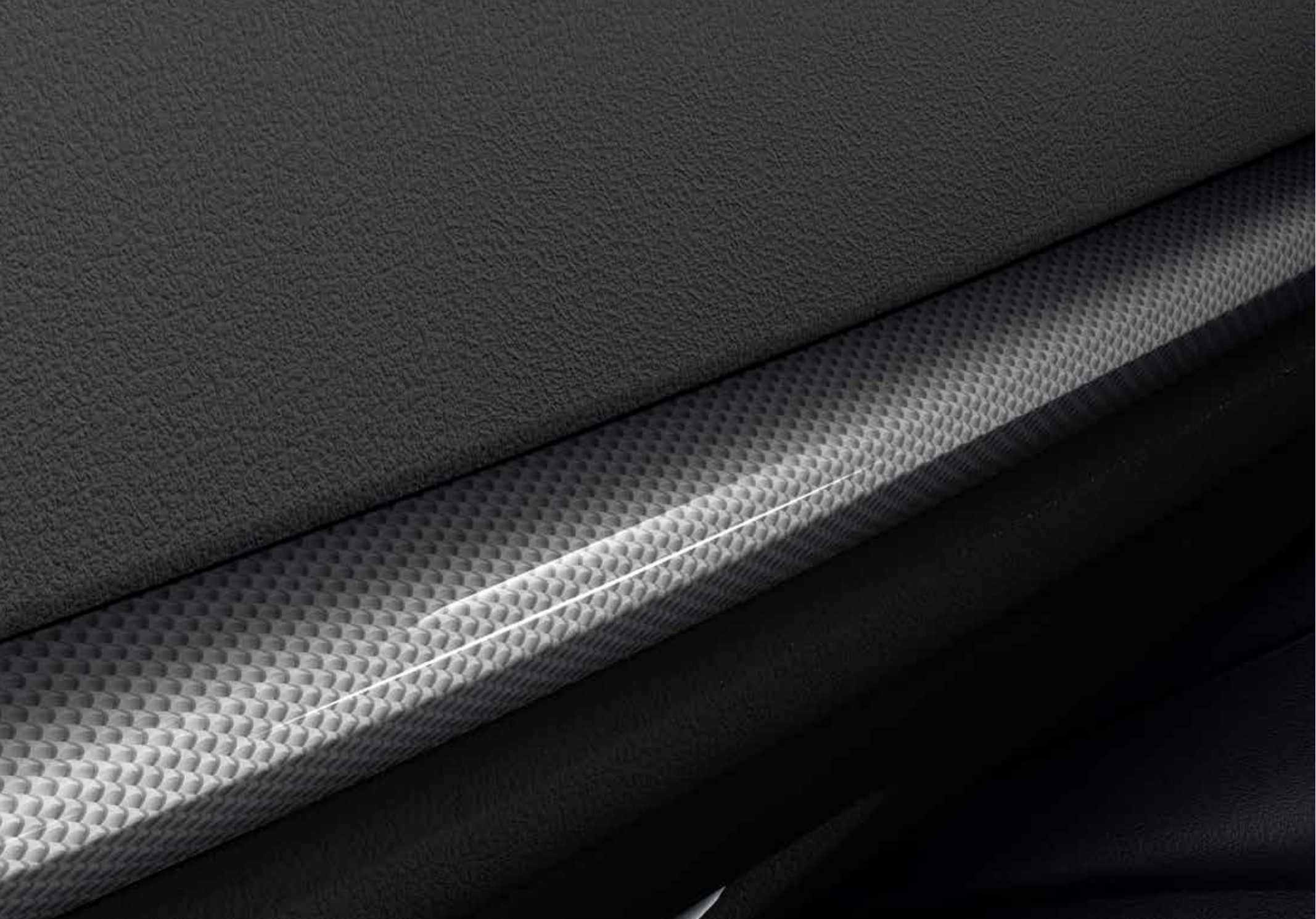
- = Not available
- = Available
- S = Standard

*Total RRP inc VAT – Recommended Retail Price including VAT which is calculated at 20%. This may alter to reflect any change in the applicable VAT rate.

Inlays

Attention to detail can make a big impact. From Aluminium mistral silver to matt-brushed aluminium, our selection of inlays offers the perfect finishing touch to your car's interior.





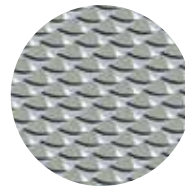
Inlays

Inlays are the all-important finishing touch that add flair and interest to your car's interior.

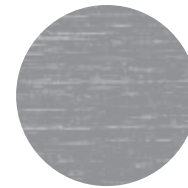
Order Code		Sport Navigation	S line Navigation	S3 quattro Navigation	Total RRP inc VAT*
5TD	Aluminium mistral silver	S	-	-	£0.00
7TM	3D design 'optic'	●	-	-	£150.00
5TG	Matt-brushed aluminium	-	S	S	£0.00
5MY	3D design 'black'	-	-	●	£0.00



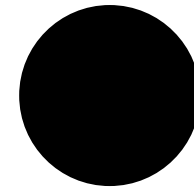
Aluminium mistral silver – **5TD**



3D design 'optic' – **7TM**



Matt-brushed aluminium – **5TG**



3D design 'black' – **5MY**

Options are subject to availability and may extend time taken for delivery.

- = Not available
 ● = Available
 S = Standard

All the inlay swatches on this page are matched as accurately as possible to the actual inlays colours used. However, due to print processes, Audi UK cannot guarantee that colours shown are 100% accurate.

*Total RRP inc VAT – Recommended Retail Price including VAT which is calculated at 20%. This may alter to reflect any change in the applicable VAT rate.



Options

Every driver has different needs, which is why we have created some useful options to further enhance your car. For extra comfort, support, style or function, you can choose from a variety of additional features, tailoring everything from your infotainment and audio equipment to your wheels and lighting.





Wheels, tyres and suspension

Choose a set of specially selected alloy wheels to subtly enhance the way your car looks.



17" x 7.5J '5-arm' design alloy wheels - CF7



17" x 7.5J '10-spoke Dynamic' design alloy wheels - CSI



17" x 7.5J '5-spoke' design alloy wheels - COX



18" x 8J 'multi-spoke Star' design partly polished alloy wheels - C1J



18" x 8J '5-parallel-spoke' design partly polished alloy wheels - C0J



18" x 8J '5-arm Structured' design high-gloss alloy wheels - CS1



18" x 8J '10-spoke' design alloy wheels - CL7



18" x 8J '10-spoke' design titanium matt alloy wheels - CJ2



19" x 8J '5-twin-spoke Star' design anthracite, partly polished alloy wheels - C6H



19" x 8J '5-arm Wing' design high-gloss titanium alloy wheels - C7D

Options are subject to availability and may extend time taken for delivery.

Please note that choosing an optional wheel may affect the fuel consumption figures and the CO₂ emissions on your A3 Saloon. This may result in a change in the subsequent Vehicle Excise Duty payable. Please see pages 75, 76, 79 and 83 for more details.

All alloy wheel images are matched as accurately as possible to the actual colour. However, due to print processes, Audi UK cannot guarantee that colours shown are 100% accurate.

Wheels, tyres and suspension

Order Code		Sport Navigation	S line Navigation	S3 quattro Navigation	Total RRP inc VAT*
CF7	17" x 7.5J '5-arm' design alloy wheels with 225/45 R17 tyres	S	—	—	£0.00
CS1	17" x 7.5J '10-spoke Dynamic' design alloy wheels with 225/45 R17 tyres	●	—	—	£250.00
C0X	17" x 7.5J '5-spoke' design alloy wheels with 225/45 R17 tyres	●	—	—	£250.00
C1J	18" x 8J 'multi-spoke Star' design partly polished alloy wheels with 225/40 R18 tyres	●	—	—	£595.00
C0J	18" x 8J '5-parallel-spoke' design partly polished alloy wheels with 225/40 R18 tyres	—	S	●	£0.00
		●	—	—	£995.00
CS1	18" x 8J '5-arm Structured' design high-gloss alloy wheels with 225/40 R18 tyres	—	●	—	£395.00
		—	—	●	£0.00
CL7	18" x 8J '10-spoke' design alloy wheels with 225/40 R18 tyres	—	●	—	£395.00
		—	—	●	£0.00
CJ2	18" x 8J '10-spoke' design titanium matt alloy wheels with 225/40 R18 tyres	—	●	—	£695.00
		—	—	●	£0.00
C6H	19" x 8J '5-twin-spoke Star' design anthracite, partly polished alloy wheels with 235/35 R19 tyres	—	—	S	£0.00
		●	—	—	£1,495.00
C7D	19" x 8J '5-arm Wing' design high-gloss titanium alloy wheels with 235/35 R19 tyres. Not available on the 1.6 TDI 110PS engines. Not available with deselection of Sport suspension (2UA) or S line Sport suspension (2UG)	—	●	—	£995.00
		—	—	●	£395.00

Options are subject to availability and may extend time taken for delivery.

- = Not available
- = Available
- S = Standard

Please note that choosing an optional wheel may affect the fuel consumption figures and the CO₂ emissions on your A3 Saloon. This may result in a change in the subsequent Vehicle Excise Duty payable. Please see pages 75, 76, 79 and 83 for more details.

*Total RRP inc VAT – Recommended Retail Price including VAT which is calculated at 20%. This may alter to reflect any change in the applicable VAT rate.



Wheels, tyres and suspension

Order Code		Sport Navigation	S line Navigation	S3 quattro Navigation	Total RRP inc VAT*
2H7	<p>Audi Magnetic Ride. Continuously adapts the suspension damping to the changing driving situation. It does this automatically and in just a few fractions of a second by means of an electronically controlled magnetic field. This results in impressive handling dynamics accompanied by a remarkably high degree of ride comfort. The "Auto", "Comfort" and "Sport" modes allow the basic setting to be adjusted individually as desired. There is a pronounced difference between the respective basic set-ups.</p> <ul style="list-style-type: none"> - Ample ride comfort thanks to low body acceleration and movements - Enhanced agility and handling dynamics thanks to reduced dynamic roll angles during steering inputs - Improved pitch characteristics when accelerating and slowing down <p>- Clear distinction between the modes "Comfort" (balanced and comfortable), "Sport" (sporty and dynamic) and "Auto" (adapted to prevailing driving situation)</p> <ul style="list-style-type: none"> - Controlled wheel damping ensures remarkable handling stability and safety, especially when road conditions are poor - High long-distance suitability - Including Sport suspension: approximately 15mm lower than dynamic suspension, tauter suspension and damping settings - Convenient adjustment of suspension tuning using a button in the centre console <p>Not available on the 1.6 TDI 110PS engines. Only in combination with standard Sport suspension</p>	●	●	S	£995.00
1N7	<p>Progressive steering operates with a variable steering ratio which reduces the steering effort required e.g. in tight bends. This improves comfort on the one hand, for instance when parking or manoeuvring, whilst also providing a sportier driving feel e.g. when driving along narrow winding roads.</p> <ul style="list-style-type: none"> - High steering precision combined with minimised steering effort thanks to variable steering ratio - Precise steering feel with good feedback from the road <p>- Incorporates all functions of the electromechanical power steering</p> <ul style="list-style-type: none"> - Sporty, direct steering feel when driving straight ahead - Noticeable dynamic response and far less need to reposition hands in bends, on winding roads and when turning - More comfort as less steering effort is required when parking or manoeuvring - Can be configured via Audi Drive Select <p>Not available on the 1.6 TDI 110PS engines. Only in combination with standard Sport suspension or S line Sport suspension (2UG)</p>	●	●	S	£295.00
2UA	<p>Deselection of Sport suspension. Available as a no-cost downgrade from Sport suspension on Sport and S line models. If chosen then the Sport suspension lowering is removed and the suspension is returned to the standard ride height and damping</p>	●	●	—	£0.00
2UG	<p>S line Sport suspension. More dynamic spring/damper settings and lowered by an additional 10mm compared with the Sport suspension or by 25mm compared with the standard suspension</p>	—	●	—	£0.00
PC2	<p>Brake calipers painted in red with S3 logo</p>	—	—	●	£325.00

Options are subject to availability and may extend time taken for delivery.

— = Not available
● = Available
S = Standard

*Total RRP inc VAT – Recommended Retail Price including VAT which is calculated at 20%. This may alter to reflect any change in the applicable VAT rate.



Packages

Some items work well together, which is why we've created these special packages.

Vehicle driver assistance and safety systems are not a substitute for attentive driving. Drivers retain full responsibility for providing the necessary inputs for safe control of the vehicle. System descriptions within this brochure are provided for information purposes only. System limitations and operational requirements apply. See manual for details.

Options are subject to availability and may extend time taken for delivery.

- = Not available
- = Available
- S = Standard

*Total RRP inc VAT – Recommended Retail Price including VAT which is calculated at 20%. This may alter to reflect any change in the applicable VAT rate.

Order Code		Sport Navigation	S line Navigation	S3 quattro Navigation	Total RRP inc VAT*
WBI 7X1 8T2	Comfort package. Includes Auto-dimming rear-view mirror with light and rain sensor package (PU7), Audi parking system, rear (7X1) and Cruise control (8T2)	•	•	•	£605.00
	In combination with Xenon light package or LED light package	•	-	-	£300.00
WB6	Xenon light package. Includes Adaptive headlights with Xenon Plus headlights (PXA), Light and rain sensor package (PU8) and Interior lighting package (QQ4)	•	-	-	£1,250.00
PG1	LED light package. Includes LED headlights (PX7), Light and rain sensor package (PU8) and Interior lighting package (QQ4). For details of LED headlights on S line and S3, please see page 61	•	-	-	£2,000.00
PNQ	Technology package. Includes HDD-based MMI Satellite Navigation Plus and MMI Touch with navigation data (flash memory), electrically extending, high-resolution 7" colour display with 800 x 480 pixel resolution, high-quality representation of the navigation map as 3D ground model with topographical map colouring, display of many sites and city models in 3D, choice of 3 alternative routes provided, split-screen mode for route information (manoeuvring points, points-of-interest on motorways, TMCpro on route), detailed junction map and lane recommendations, dynamic route guidance (where available), voice control system (whole-word entry of address in one sentence), additional arrow display in the Driver's Information System; includes radio with triple tuner and phase diversity, flash memory for music (10GB), MP3, WMA, AAC and MPEG4-capable DVD player which can also be used for music and video DVDs, 2 SDXC card readers (for up to 2TB). MMI Touch: a touch-sensitive panel on the rotary/push-button control for intuitive operation of the MMI without taking your eyes off the road; context-related entry of letters and numbers for navigation destination via handwriting recognition with acoustic acknowledgement, selection from address book, entry of telephone numbers or search for media files; simple movement of navigation map and selection of points-of-interest	•	•	•	£1,145.00



MMI Touch (part of Technology package)



MMI Touch (part of Technology package)



LED headlights (part of LED light package)

Packages

Order Code	Sport Navigation	S line Navigation	S3 quattro Navigation	Total RRP inc VAT*
<p>WB4</p> <p>Technology package with Mobile telephone preparation – High with Audi Connect. Includes Technology package (PNQ). Audi Connect provides access to a number of innovative online services via an internal UMTS (4G) module. Audi Connect online services include: navigation using Google Earth™ images and Google Street View™, destination entry via Google Maps™ or myAudi, online point-of-interest search and information services such as weather forecasts and the latest world news. Audi Connect also includes Audi traffic information online, which gives accurate real-time forecasts of the traffic situation along the chosen route. The traffic situation can be displayed on the navigation map or Google Earth™ image. Audi Connect can also create a Wi-Fi hotspot in the car for convenient internet access using a mobile device (e.g. laptop or tablet). Many Audi Connect features can be simply operated via MMI Navigation Plus, the multi-function steering wheel or the voice control system</p> <p>Please also refer to the detailed information on Audi Connect compatibility and data source requirements which can be found on page 83</p>	●	●	●	£1,445.00

Options are subject to availability and may extend time taken for delivery.

- = Not available
- = Available
- S = Standard

*Total RRP inc VAT – Recommended Retail Price including VAT which is calculated at 20%. This may alter to reflect any change in the applicable VAT rate.



Audi Connect

Audio and communication

Stay in touch using our range of communication functions, and give each journey its own soundtrack with our advanced audio equipment.

Order Code		Sport Navigation	S line Navigation	S3 quattro Navigation	Total RRP inc VAT*
9VD	Audi sound system. 10 speakers in total including centre speaker in the dashboard and subwoofer in the parcel shelf. 6-channel amplifier with a total output of 180 watts	●	●	●	£255.00
9VS	Bang & Olufsen sound system. Surround sound reproduction via 15-channel amplifier with a total output of 705 watts as well as 14 high-performance loudspeakers, including a centre speaker in the dashboard and a subwoofer in the parcel shelf. Perfect design experience thanks to the exclusive loudspeaker covers with aluminium applications and the LED lighting accentuating the front woofers. Continuous adaptation of the sound to driving and background noises determined by microphone. 5.1 surround sound reproduction is possible when ordered in conjunction with Technology package	●	●	●	£750.00
9ZE	Audi Phone Box. Allows phone calls to be made with improved reception quality by placing the mobile phone in the storage compartment provided in the centre console to create a 'wireless' connection to the vehicle aerial. Operated via the MMI control panel or multi-function steering wheel. Mobile phone can be charged via a USB port. Please see audi.co.uk/phonecompatibility to check compatibility and software version of your phone	●	●	●	£325.00

Options are subject to availability and may extend time taken for delivery.

- = Not available
- = Available
- S = Standard

*Total RRP inc VAT – Recommended Retail Price including VAT which is calculated at 20%. This may alter to reflect any change in the applicable VAT rate.



Bang & Olufsen sound system



Audi Phone Box



Interior equipment

Specify every detail of your car's interior with this range of exclusive options.

Order Code		Sport Navigation	S line Navigation	S3 quattro Navigation	Total RRP inc VAT*
QQ5	Illuminated vanity mirrors. In the driver and passenger sun visor	●	S	S	£55.00
QQ4	Interior lighting package. Anti-glare lighting for the passenger compartment comprising door sill and footwell lighting at the front as well as illuminated inside door openers, vanity mirrors and illuminated cup holders, 2 reading lights each at the front and rear, LED interior ambient lighting and active door reflectors. Also available as part of the Xenon light package (WB6) or the LED light package (PG1)	●	—	—	£225.00
		—	●	●	£170.00
PG3	Advanced key. Access and authorisation system which automatically exchanges data between key and vehicle, allowing the driver to keep the key in their pocket or bag at all times. To unlock and open, simply lift the exterior door handle. To lock, press the button on the handle. Also includes an ignition start/stop button integrated in the centre console; on S3, option includes a red anodised ring around the start/stop button	●	●	●	£425.00
PUB	Light and rain sensor package. Automatically switches the dipped beam headlights and windscreen wipers on/off depending on the light and rain conditions. Includes coming home/leaving home function which delays the deactivation of the front and rear lights after locking and automatic activation of the lights when unlocking. The package also includes a windscreen with sunband for improved insulation of the windscreen and acoustic glass for reduced outside noise. Also available as part of the Auto-dimming rear-view mirror with light and rain sensor package (PU7), Comfort package (WBI), Xenon light package (WB6), LED light package (PG1), LED headlights (PX7) or Driver assistance package (PCE)	●	●	●	£150.00
PU7	Auto-dimming rear-view mirror with light and rain sensor package. In addition to the light and rain sensor package, includes a light sensor which detects when the headlights behind are too bright and dims the rear-view mirror automatically. Also available as part of the Comfort package (WBI)	●	●	●	£395.00
	In combination with Driver assistance package, Xenon light package, LED light package or LED headlights	●	●	●	£245.00

Options are subject to availability and may extend time taken for delivery.

- = Not available
- = Available
- S = Standard

*Total RRP inc VAT - Recommended Retail Price including VAT which is calculated at 20%. This may alter to reflect any change in the applicable VAT rate.

Interior equipment

Order Code		Sport Navigation	S line Navigation	S3 quattro Navigation	Total RRP inc VAT*
3NU	Through-load facility. For safely transporting long objects. Includes rear centre armrest with cup holders and a storage compartment	●	●	●	£150.00
QE1	Storage and luggage package. Includes storage nets on the back of the front-seat backrests, storage net in the front-passenger footwell, storage compartment under the rear bench (including two high-visibility vests), 12V socket in the rear centre console. In the luggage compartment: luggage compartment light in LED, net in the side compartment (excluding quattro engines), luggage compartment net, 12V socket	●	S	S	£145.00
7HE	Extended mono.pur interior finish. Front knee pads and armrests finished in mono.pur leather-effect material. Also includes stitching in the colour of the seat upholstery	●	●	●	£295.00
6NQ	Cloth headlining in black	●	S	—	£150.00
6SJ	Reversible mat. For the luggage compartment, velour on one side and rubberised on the other, to cover the entire luggage compartment, even with the rear seat backrest folded. Removes space-saving spare wheel on quattro variants	●	●	●	£65.00
9JA	Non-smoking package. Removes the ashtray and replaces the cigarette lighter with a standard 12V socket	●	●	●	£0.00

Options are subject to availability and may extend time taken for delivery.

- = Not available
- = Available
- S = Standard

*Total RRP inc VAT – Recommended Retail Price including VAT which is calculated at 20%. This may alter to reflect any change in the applicable VAT rate.



Storage and luggage package





Exterior equipment

Make sure your car looks exactly as you want it to by selecting some of our striking options.

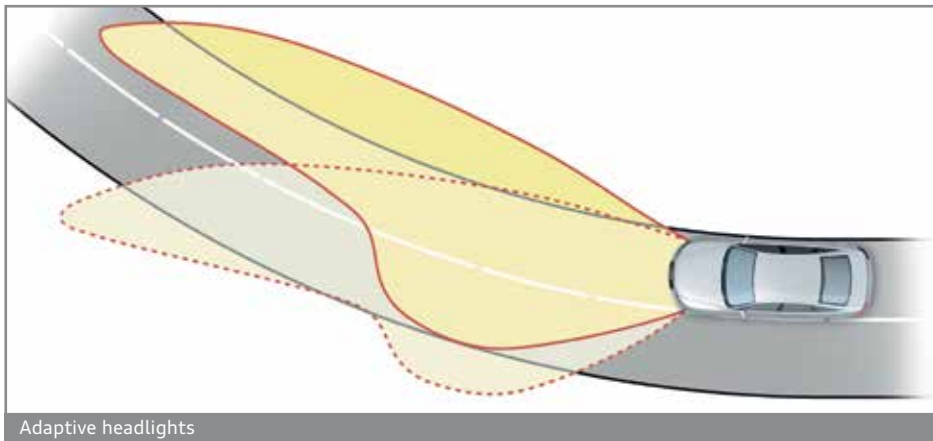
Vehicle driver assistance and safety systems are not a substitute for attentive driving. Drivers retain full responsibility for providing the necessary inputs for safe control of the vehicle. System descriptions within this brochure are provided for information purposes only. System limitations and operational requirements apply. See manual for details.

Options are subject to availability and may extend time taken for delivery.

- = Not available
- = Available
- S = Standard

*Total RRP inc VAT – Recommended Retail Price including VAT which is calculated at 20%. This may alter to reflect any change in the applicable VAT rate.

Order Code		Sport Navigation	S line Navigation	S3 quattro Navigation	Total RRP inc VAT*
PXA	Adaptive headlights with Xenon Plus. The dynamic cornering light identifies the course of the road from the movement of the steering wheel. The headlights swivel into the corner – depending on the steering angle – to provide variable illumination of the curve; navigation or speed-dependent distribution of light from headlights for town, junction, country and motorway, in a speed range from approximately 6 to 68mph. Only in combination with Light and rain sensor package (PU8), Auto-dimming rear-view mirror (PU7) or Comfort package (WBI)	–	•	•	£295.00
8G1	High-beam assist. Working within system limits, automatically detects the headlights of oncoming traffic, the rear lights of other road users and built-up areas and depending on the traffic situation, the high beam is automatically switched on or off. Also available as part of Audi Active Lane Assist (PCB) and Driver assistance package (PCE). Only in combination with Auto-dimming rear-view mirror (PU7) or Comfort package (WBI). Not available in combination with Xenon light package or Adaptive headlights with Xenon Plus headlights	•	•	•	£100.00
8G2	Variable headlight range control. Upgrades the functionality of the Adaptive lights with the aid of a camera which detects other road users or light sources and allows infinitely variable adaptation of the headlight range between main and dipped beam. Only in combination with either Audi Active Lane Assist (PCB) or Audi Active Lane Assist and Audi Side Assist (7Y5) or Driver assistance package (PCE), plus either Adaptive headlights with Xenon Plus headlights (PXA) or Xenon light package (WB6), plus either Auto-dimming rear-view mirror with light and rain sensor package (PU7) or Comfort package (WBI)	•	•	•	£75.00
2Z0	Deletion of model and technology designation at rear	•	•	•	£0.00
2Z7	Deletion of technology designation at rear	•	•	–	£0.00



Adaptive headlights



Xenon Plus headlights

Exterior equipment

Order Code	Sport Navigation	S line Navigation	S3 quattro Navigation	Total RRP inc VAT*
<p>LED headlights. Combining their unmistakable looks, a long service life and improved efficiency compared to conventional headlights, LED headlights offer dipped beam, high beam and the combined function of daytime-running lights, sidelights and indicators. The stunning Audi light graphics give the headlights a striking appearance.</p> <ul style="list-style-type: none"> - Including LED rear lights, headlight cleaning system and Light and rain sensor package (PU8) - Light conductor is fed by yellow and white LEDs, giving the car a distinctive look - Turning lights provide more lateral illumination on tight bends and when turning <p>PX7</p> <ul style="list-style-type: none"> - The headlight distribution modes for motorway light and country road light are activated depending on the road speed - Motorway light with extended range at speeds above approximately 68mph - All-weather light makes conventional front fog lights superfluous and reduces glare in poor visibility (in fog, rain or snow) - In conjunction with optional Technology package with Mobile telephone preparation – High with Audi Connect (WB4), navigation data works with the LED headlights to control the light distribution with motorway light and country light modes using the stored route data from MMI Navigation plus with MMI Touch. In this configuration, the convenient functions of the lighting assistant are supplemented by the junction light with a broad spread of light from the front lighting system and by the travel mode with GPS-assisted switching between right- and left-hand drive modes 	-	●	●	£795.00

Options are subject to availability and may extend time taken for delivery.

- = Not available
- = Available
- S = Standard

*Total RRP inc VAT – Recommended Retail Price including VAT which is calculated at 20%. This may alter to reflect any change in the applicable VAT rate.



LED headlight – Daytime-running lights



LED headlight – Dipped beam



LED headlight – Indicator

Exterior equipment

Order Code		Sport Navigation	S line Navigation	S3 quattro Navigation	Total RRP inc VAT*
3FB	Panoramic glass sunroof. Activation to raise and open the glass section, opens and closes automatically. Tinted glass insert with manual, infinitely adjustable sun shield. Convenience closing from outside via the central locking remote control. The extra-large glass area floods the interior with light to create a pleasant ambience. Integrated wind deflector reduces wind noise when the roof is open. Only in combination with Interior lighting package (QQ4), Illuminated vanity mirrors (QQ5), Xenon light package (WB6) or LED light package (PG1)	●	●	●	£950.00
VW1	Privacy glass. Dark tinted rear and rear-side windows from B-pillar backwards	●	●	●	£290.00
4ZD	Black styling package. Includes: - Radiator grille frame and radiator grille struts, window trims and console in the side grilles in High-gloss black - Radiator grille, side air intake grilles and number plate holder in matt black - Diffuser in platinum grey - Door handles in body colour	●	●	●	£395.00
6XE	Door mirrors – electrically adjustable, folding and heated. Also includes an automatic kerb view dipping function on the passenger side when reverse gear is selected	●	●	●	£150.00
6XK	Door mirrors – auto-dimming on the driver’s side, electrically adjustable, folding and heated. Also includes an automatic kerb view dipping function on the passenger side when reverse gear is selected. Only in combination with Auto-dimming rear-view mirror (PU7) or Comfort package (WBI)	●	●	●	£250.00
1D2	Towing equipment. Removable and lockable. Sphere bar and ball head made of forged steel. The 13-pin socket can be swivelled out of sight behind the bumper skirt. When removed, the trailer towing hitch can be stored in the spare wheel well	●	●	–	£625.00

Options are subject to availability and may extend time taken for delivery.

- = Not available
- = Available
- S = Standard

*Total RRP inc VAT – Recommended Retail Price including VAT which is calculated at 20%. This may alter to reflect any change in the applicable VAT rate.



Safety and security

Intelligent technology designed to give you better all-round awareness and safety on the road.

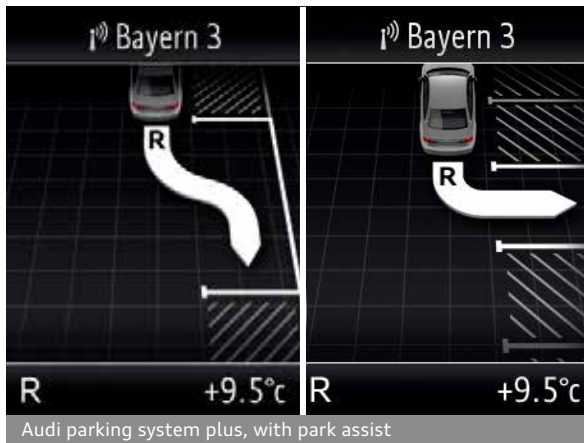
Vehicle driver assistance and safety systems are not a substitute for attentive driving. Drivers retain full responsibility for providing the necessary inputs for safe control of the vehicle. System descriptions within this brochure are provided for information purposes only. System limitations and operational requirements apply. See manual for details.

Options are subject to availability and may extend time taken for delivery.

- = Not available
- = Available
- S = Standard

*Total RRP inc VAT – Recommended Retail Price including VAT which is calculated at 20%. This may alter to reflect any change in the applicable VAT rate.

Order Code		Sport Navigation	S line Navigation	S3 quattro Navigation	Total RRP inc VAT*		
UH2	Hold assist. Holds the vehicle stationary for unlimited periods after stopping and prevents the vehicle rolling on hills and on gradients. The system is activated by a push-button and allows the driver to drive away easily and comfortably without having to operate the electromechanical parking brake	•	•	•	£90.00		
7X1	Audi parking system, rear. Makes reverse parking easier by indicating acoustically how far away the vehicle is from an object detected behind it. Measurement is by ultrasonic sensors integrated discreetly in the bumper. Also available as part of the Comfort package	•	•	•	£345.00		
7X2	Audi parking system plus, front and rear with selective display. Acoustic and visual parking aid for the front and rear which displays white distance markers for obstacles that would not be touched and red symbols for obstacles that may be touched. This provides the driver with a selective optical view in the MMI display of all the objects recognised, depending on the current curve radius and direction of travel. Measurement is by ultrasonic sensors discreetly integrated in the bumpers	•	•	•	£595.00		
		In combination with Comfort package			•	•	•
7X5	Audi parking system plus, with park assist. In addition to parking system plus front and rear, ultrasonic sensors are used to search for parking spaces by the roadside and the system calculates the ideal parking path for reverse and parallel parking spaces. The steering action is performed almost automatically. Assisted parking is now even possible in smaller parking spaces and bend areas, and the system will park the car in several moves if required. Steering is done by the vehicle, while the driver only needs to accelerate and apply the brakes. 4 additional sensors indicate obstacles detected all around and at the side of the vehicle, and warn the driver, making parking easier and safer by setting the correct steering angle	•	•	•	£835.00		
		In combination with Comfort package			•	•	•
In combination with Driver assistance package		•	•	•	•	•	£240.00
KA2	Reversing camera. Shows camera image of area behind the vehicle shown on the MMI display, with dynamic display modes highlighting the calculated path (steer-angle dependent). Includes auxiliary lines and guidelines, and identification of the point at which to apply opposite lock when parallel parking. The rear-view camera is integrated discreetly in the handle strip of the luggage compartment lid. Only in combination with Audi parking system plus, front and rear with selective display (7X2), Audi parking system plus, with park assist (7X5) or Driver assistance package (PCE)	•	•	•	£275.00		



Audi parking system plus, with park assist



Audi parking system plus, with park assist



Audi parking system plus, with park assist



Safety and security

Intelligent technology designed to give you better all-round awareness and safety on the road.

Vehicle driver assistance and safety systems are not a substitute for attentive driving. Drivers retain full responsibility for providing the necessary inputs for safe control of the vehicle. System descriptions within this brochure are provided for information purposes only. System limitations and operational requirements apply. See manual for details.

Options are subject to availability and may extend time taken for delivery.

- = Not available
- = Available
- S = Standard

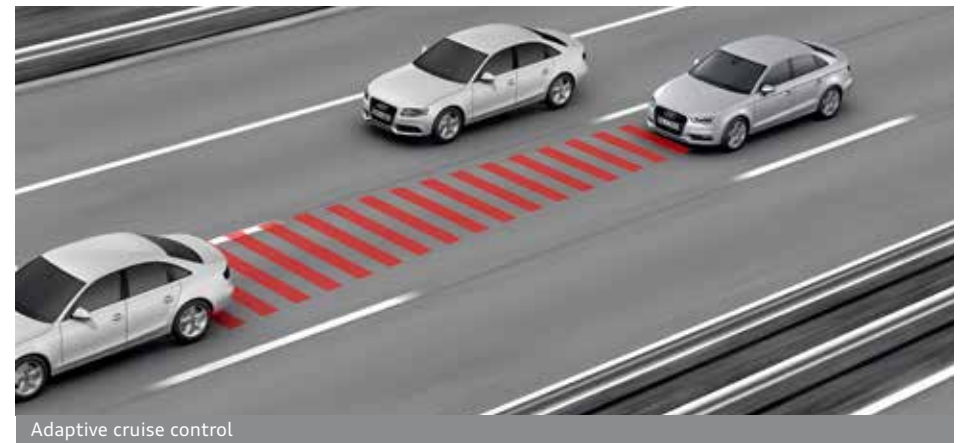
*Where the law permits.

*Total RRP inc VAT – Recommended Retail Price including VAT which is calculated at 20%. This may alter to reflect any change in the applicable VAT rate.

Order Code		Sport Navigation	S line Navigation	S3 quattro Navigation	Total RRP inc VAT*
8T2	Cruise control. Maintains any speed above 18mph, provided that the engine power output and engine braking effect permit it. Operated via separate steering column stalk, with set speed displayed in the Driver's Information System (DIS). Also available as part of the Comfort package	•	•	•	£225.00
PCG	Adaptive cruise control. Automatic distance control (control range for manual transmission between 20-100mph* and for S tronic 0-100mph).* Also includes Stop/Go function only with S tronic. Working within system limits, it uses a radar sensor to detect vehicles ahead and maintain the set distance by automatically braking and accelerating. 4 distance levels and different driving modes can be selected individually. Also includes Audi Pre-sense front which warns the driver through an enhanced brake assist of any imminent threat of collision with the vehicle in front. Braking action is initiated at speeds below 19mph if there is a danger of collision with a stationary or moving vehicle, to avoid or reduce impact	•	•	•	£575.00
	In combination with Comfort package	•	•	•	£350.00
7W1	Audi Pre-sense basic. Networks the different vehicle systems to enable driving situations to be categorised and, where necessary, actions to be taken to protect the driver and passengers. These include: tensioning the front seat belts as well as closing the windows and – if fitted – the panoramic glass sunroof	•	•	•	£200.00
4X4	Rear side airbags. Situated in the side of the rear seats	•	•	•	£300.00



Adaptive cruise control radar sensor



Adaptive cruise control

Safety and security

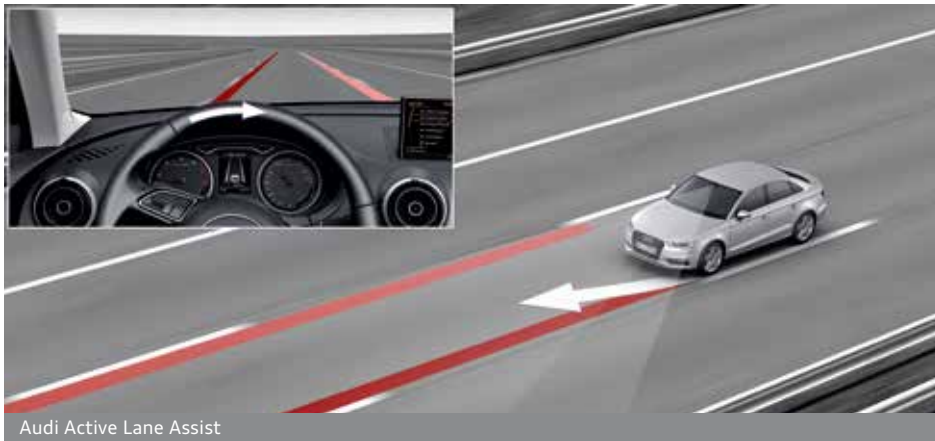
Vehicle driver assistance and safety systems are not a substitute for attentive driving. Drivers retain full responsibility for providing the necessary inputs for safe control of the vehicle. System descriptions within this brochure are provided for information purposes only. System limitations and operational requirements apply. See manual for details.

Options are subject to availability and may extend time taken for delivery.

- = Not available
- = Available
- S = Standard

*Total RRP inc VAT – Recommended Retail Price including VAT which is calculated at 20%. This may alter to reflect any change in the applicable VAT rate.

Order Code		Sport Navigation	S line Navigation	S3 quattro Navigation	Total RRP inc VAT*
PCB	Audi Active Lane Assist. Lane markings are registered by an optical sensor in the windscreen above speeds of approximately 40mph. Camera identifies individual or coloured lane markings, e.g. yellow lines at roadworks. The lane departure warning system warns the driver if a detected lane marking is approached without indicating, and helps the driver to steer back towards the middle of the lane by making gentle steering movements. Steering wheel vibration can be activated as an additional warning when crossing lane markings. System is activated manually by a switch on the turn signal lever. Also includes High-beam assist (8G1) and Light and rain sensor (windscreen sunband not included). When ordered with Technology package (PNQ), speed limit display is included as a no-cost option. Only in combination with Light and rain sensor package (PU8), Auto-dimming rear-view mirror (PU7), Comfort package (WBI), Xenon light package (WB6), LED light pack (PG1) or LED headlights (PX7). Also available as part of the Driver assistance package (PCE)	•	•	•	£450.00
7Y1	Audi Side Assist. Aids the driver when changing lane. Audi Side Assist monitors the area behind your car using radar sensors located discreetly in the rear bumper. It then informs the driver with a visual warning signal in the door mirror if there is a vehicle in their blind spot or approaching quickly from behind. The system is activated using the MMI car settings. Only in combination with Light and rain sensor package (PU8), Auto-dimming rear-view mirror (PU7), Comfort package (WBI), Xenon light package (WB6), LED light package (PG1) or LED headlights (PX7)	•	•	•	£450.00
PCB 7Y5	Audi Active Lane Assist and Audi Side Assist. Includes Audi Active Lane Assist (PCB) and Audi Side Assist (7Y1). Only in combination with light and rain sensor package (PU8), Auto-dimming rear-view mirror (PU7) or Comfort package (WBI)	•	•	•	£900.00
PCE	Driver assistance package. Contains all of the following assistance functions: Adaptive cruise control, Audi Active Lane Assist (PCB), High-beam assist (8G1), Audi parking system plus front and rear (7X2), Light and rain sensor and sunband with acoustic windscreen (PU8). Not available in combination with Comfort package (WBI)	•	•	•	£1,450.00
-	Speed limit display. Camera-based detection and display of speed limits, including temporary speed limits. Speed limit signs are recognised by the camera and this enables the current speed limit to be read conveniently in the Driver's Information System (DIS). Should the camera not detect a sign, the speed limit from the navigation system data (if fitted) will be shown. Only available as a no-cost option when Technology package (PNQ or WB4) and Audi Active Lane Assist (PCB or PCE) are ordered together	•	•	•	£0.00



Audi Active Lane Assist



Audi Side Assist

Looking after your Audi

When you've chosen your ideal model, it's reassuring to know that it will remain in safe hands. That's why we've created products to protect your Audi, from extended warranties to Audi Complete. And there's also a range of Audi accessories and merchandise to choose from, enabling you to further enhance and safeguard your car.





Audi Complete

If you drive under 10,000 miles per annum your vehicle will be placed on a Fixed Inspection Service schedule. If your mileage tends to exceed 10,000 miles per annum it will be placed on the Flexible Service schedule.

Warranty

All new Audi models come with a three-year warranty as standard, and you can choose to extend this to a four or five-year warranty* for a one-off cost. What's more, if you decide to sell your Audi before the warranty expires, it will be fully transferred to the new owner.

- = Not available
 ● = Available
 S = Standard

*Three-year warranty consists of a two-year unlimited mileage warranty and a third year warranty with a 60,000-mile limitation. Four-year warranty consists of a two-year unlimited mileage warranty and two further years' coverage with a 75,000-mile limitation. Five-year warranty consists of a two-year unlimited mileage warranty and three further years' coverage with a 90,000-mile limitation.

**Only available before registration of your Audi A3 Saloon. Please speak to your Audi Centre for full details.

*Total RRP inc VAT – Recommended Retail Price including VAT which is calculated at 20%. This may alter to reflect any change in the applicable VAT rate.

Audi Complete is our fixed-cost maintenance plan, which helps you keep your Audi in top condition and stay in control of your finances. For a simple monthly payment, you could cover your car's servicing, maintenance and, if you want, its tyres too.

So not only will you ensure your car runs smoothly, regular servicing can also protect its future resale value. And because everything's covered by one competitive price, there's no need to go anywhere else.

Pricing is completely tailored to your vehicle and takes into consideration the options you have on your vehicle and your likely annual mileage and resultant service schedule. Please speak to your Audi Centre for a personalised quote for Audi Complete.

Order Code		A3 Saloon	S3 Saloon	Total RRP inc VAT*
-	Audi Warranty , covering you for unlimited mileage in the first two years of ownership, and up to 60,000 miles in the third year. Transferable between owners**	S	S	£0.00
EA6	Audi Warranty , covering you for up to 4 years or 75,000 miles, whichever comes sooner. Cover includes a two-year unlimited mileage warranty, and up to 75,000 miles in the third and fourth years. Transferable between owners**	●	●	£245.00
EA9	Audi Warranty , covering you for up to 5 years or 90,000 miles, whichever comes sooner. Cover includes a two-year unlimited mileage warranty, and up to 90,000 miles in the third, fourth and fifth years. Transferable between owners**	●	●	£545.00



Accessories

Choosing an Audi isn't just a matter of deciding on the model you want; it's about creating a car that suits your needs perfectly. And that's why we've developed a whole range of optional accessories to enhance your A3 Saloon, enabling you to customise it down to the last detail. Like your Audi, all these accessories are developed to the highest possible standards. They're all available exclusively from Audi. To find out more, just visit audi.co.uk/accessories or contact your local Audi Centre.

Warranty

All of the accessories available on the A3 Saloon are covered by a three-year warranty* if they are ordered and included in the purchase price of the car at date of delivery. Any accessories ordered and installed after delivery include a two-year warranty.*

*Excluding Road Angel products. Audi Accessories warranty terms and conditions can be found at audi.co.uk/warrantyterms



Merchandise

From the enthusiasts' motorsport collection to the sophisticated Audi collection, there's a wide variety of adults' and children's clothing, lifestyle accessories and collectables, all of which bear the Audi name.

Please speak to a member of our team at your local Audi Centre to see the full Audi collection and to place an order. A selection of Audi merchandise is also available to buy from audi.co.uk/merchandise



Image shown is the Audi kids' car legends, item number 320.13.004.00

The Audi **Difference**

The experts in Vorsprung durch Technik

Our Audi Approved Master Technicians have undergone an impressive 100,000 hours of training over a 10-year programme to ensure they have the latest technical expertise for maintaining and servicing your Audi. All our Service Advisors undergo a specialist induction and training to ensure they are Audi professionals and able to talk to you about any issues you may have with your Audi vehicle.

Servicing tailored to your needs

Regular servicing is key to safeguarding your Audi's performance and a full service history could help you enhance the future re-sale value. To make servicing easy, the Audi Service Schedules have been designed to work with your individual driving style and vehicle.

We offer two different schedules: the Fixed Inspection Service and the Flexible Service schedule. The conventional Fixed Inspection Service schedule has fixed intervals for the Oil-change Service and Inspection Service, which are determined by time and distance.

With the Flexible Service schedule, the Inspection Service intervals are also fixed but the Oil-change Service intervals are variable. Sensors take account of driving style and conditions to determine when the Oil-change Service is required and the driver is informed via the on-board service interval display.

The choice of Service Schedule will depend on journey type and mileage as well as individual driving style and conditions. The table to the right can be used for guidance but your Audi Centre will help you to determine the most suitable Service Schedule for you based on your individual circumstances and preferences.

Fixed Inspection Service Schedule

	Vehicle usage:
Mileage	Less than 10,000 miles per annum Mainly city/town centre driving. Short journeys.
	Service intervals:
Oil-change Service	Fixed to every 9,000+ miles/1 year
Inspection Service	Fixed to every 19,000+ miles/2 years

Flexible Service Schedule

	Vehicle usage:
Mileage	More than 10,000 miles per annum Motorway and main road driving. Mainly longer distance journeys. Constant speeds.
	Service intervals:
Oil-change Service	Variable to a maximum of every 19,000+ miles/2 years
Inspection Service	Fixed to every 19,000+ miles/2 years

When a vehicle is frequently used in the following conditions, we recommend a Fixed Inspection Service Schedule, regardless of mileage:
Uneconomical driving styles, e.g. heavy acceleration and braking, constant use of high revs
High engine-loading conditions, e.g. frequent towing and hill climbs

*As indicated by the service interval display. Mileages are approximate as the Service Indicator system uses kilometres as its distance measurement.

Your convenience comes first

At Audi you can choose from a range of convenient services that suit your needs. Why not book a 'service while you wait' appointment* and enjoy our complimentary refreshments while your car is with us? Or, if you need to be mobile, take advantage of one of our courtesy cars which we can even deliver to you.* We guarantee we can service your Audi within 5 days without a courtesy car or within 10 days if you need transport. We will also ensure your car is returned to you with a full valet.

Audi Genuine Parts

You can rest assured that only Audi Genuine Parts will be used on your vehicle. What's more, Audi parts and labour come with a 2-year guarantee.**

No hidden costs

We believe strongly in transparency when it comes to our prices. For added peace of mind, we will give you a quotation over the phone for the work you have requested and email you the price confirmation. We'll consult you if any additional work on your car is needed when it is with us. We won't carry out any extra work without asking your permission first.

All part of the service

Whenever we see an Audi for a service, we connect it directly to our headquarters in Ingolstadt which enables us to check your car's software and make sure it's as up-to-date as possible. If the factory has released a software upgrade for your model, it can be applied immediately - improving anything from your car's efficiency to the precision of its parking system.

Audi Roadside Assistance

Your new car comes complete with 3 years' complimentary roadside assistance and recovery across the UK, provided by Automobile Association Insurance Services Limited. Also included is roadside assistance throughout Europe, managed by Automobile Association Insurance Services Limited.

For further information and terms and conditions please visit audi.co.uk

*Subject to availability.

**Excludes wear and tear.



A3 Saloon Petrol technical data

Engine	1.4 TFSI*	1.4 TFSI*	1.8 TFSI quattro
Transmission	6-speed manual	7-speed S tronic	6-speed S tronic
Cylinder	4-cylinder	4-cylinder	4-cylinder
Displacement, cubic cm (valves per cylinder)	1395 (4)	1395 (4)	1798 (4)
Max. power, ¹ PS at rpm	150/5000-6000	150/5000-6000	180/4500-6200
Max. torque, Nm at rpm	250/1500-3500	250/1500-3500	280/1350-4500
Top speed, ² mph	139	139	146
0-62mph acceleration, seconds	8.2	8.2	6.8
ABI insurance group 1-50 ⁺	24E	24E	27E
Unladen weight, ³ kg	1240	1250	1380
Gross weight limit, kg	1790	1800	1930
Roof load limit/nose weight, kg	75/75	75/75	75/75
Max trailer load unbraked, ⁴ kg	650	660	720
Max trailer load with 12% gradient, ⁴ kg	1500	1500	1600
Max trailer load with 8% gradient, ⁴ kg	1700	1700	1800
Luggage compartment capacity, rear seats upright, litres	425	425	390
Luggage compartment capacity, rear seats folded, litres	880	880	845
Fuel tank capacity approx, litres	50	50	55
Emission standard	EU6	EU6	EU6

*1.4 TFSI engine with Audi cylinder-on-demand technology.

⁺Highest insurance group rating shown. Group may be lower dependent on trim level. Please visit thatcham.org/abigrouprating for details.

Please note: The maximum power output figures are quoted in PS (or Pferdestärke, which is the metric equivalent of brake horsepower). To convert to brake horsepower, divide the PS figure by 1.0139.

¹The given value was obtained in accordance with the specified measurement procedure (the respective current version of the Directive 80/1269/EEC).

²Top speed is achieved in top gear.

³Vehicle's unladen weight without driver (calculated in accordance with the current version of Directive 80/1268/EEC). The fitting of additional equipment may increase the vehicle's unladen weight and drag coefficient, whereupon the potential carrying capacity and top speed will be correspondingly reduced.

⁴The engine's power output always goes down with increasing altitude. At 1,000m above sea level, and for every additional 1,000m, deduct 10% from the weight of the outfit (trailer load limit + gross weight of the towing vehicle).

A3 Saloon Petrol technical data

Depending upon your chosen A3 Saloon wheel size, different efficiency figures for CO₂ emissions and fuel consumption will apply (based on EU directive no. 715/2007 effective from 01/09/14). This table is a quick reference guide to assist you in finding the correct values based on wheel sizes and your chosen engine.

Please note: The maximum power output figures are quoted in PS (or Pferdestärke, which is the metric equivalent of brake horsepower). To convert to brake horsepower, divide the PS figure by 1.0139.

¹The given value was obtained in accordance with the specified measurement procedure (the respective current version of the Directive 80/1269/EEC).

²Fuel consumption and CO₂ emissions figures are obtained under standardised test conditions (Directive 93/116/EEC) using a representative model. This allows direct comparison between different models from different manufacturers, but may not represent the actual fuel consumption achieved in 'real world' driving conditions. More information is available at dft.gov.uk/vca

Standard EU test figures for comparative purposes and may not reflect real driving results.

Optional wheels may also affect emissions and fuel consumption figures.

Engine		1.4 TFSI*	1.4 TFSI*	1.8 TFSI quattro
Transmission		6-speed manual	7-speed S tronic	6-speed S tronic
Max. power, ¹ PS at rpm		150/5000-6000	150/5000-6000	180/4500-6200
CO ₂ emissions, ² g/km	17" wheels	110	110	-
	18" wheels	112	113	153
	19" wheels	114	114	154
Benefit in kind (BIK)%	17" wheels	17%	17%	-
	18" wheels	17%	17%	25%
	19" wheels	17%	17%	25%
Fuel consumption, ² mpg (l/100km) Urban	17" wheels	47.9 (5.9)	48.7 (5.8)	-
	18" wheels	47.1 (6.0)	47.9 (5.9)	34.4 (8.2)
	19" wheels	46.3 (6.1)	47.1 (6.0)	34.0 (8.3)
Fuel consumption, ² mpg (l/100km) Extra Urban	17" wheels	68.9 (4.1)	68.9 (4.1)	-
	18" wheels	67.3 (4.2)	67.3 (4.2)	49.6 (5.7)
	19" wheels	65.7 (4.3)	65.7 (4.3)	48.7 (5.8)
Fuel consumption, ² mpg (l/100km) Combined	17" wheels	58.9 (4.8)	60.1 (4.7)	-
	18" wheels	57.6 (4.9)	58.9 (4.8)	42.8 (6.6)
	19" wheels	56.5 (5.0)	57.6 (4.9)	42.2 (6.7)

S3 Saloon quattro Petrol technical data

*Electronically limited.

⁴Highest insurance group rating shown. Group may be lower dependent on trim level. Please visit thatcham.org/abigrouprating for details.

Please note: The maximum power output figures are quoted in PS (or Pferdestärke, which is the metric equivalent of brake horsepower). To convert to brake horsepower, divide the PS figure by 1.0139.

¹The given value was obtained in accordance with the specified measurement procedure (the respective current version of the Directive 80/1269/EEC).

²Top speed is achieved in top gear.

³Fuel consumption and CO₂ emissions figures are obtained under standardised test conditions (Directive 93/116/EEC) using a representative model. This allows direct comparison between different models from different manufacturers, but may not represent the actual fuel consumption achieved in 'real world' driving conditions. More information is available at dft.gov.uk/vca

⁴Vehicle's unladen weight without driver (calculated in accordance with the current version of Directive 80/1268/EEC). The fitting of additional equipment may increase the vehicle's unladen weight and drag coefficient, whereupon the potential carrying capacity and top speed will be correspondingly reduced.

⁵Vehicle not suitable for towing equipment.

Standard EU test figures for comparative purposes and may not reflect real driving results.

Optional wheels may also affect emissions and fuel consumption figures.

Engine	2.0 TFSI quattro	2.0 TFSI quattro
Transmission	6-speed manual	6-speed S tronic
Cylinder	4-cylinder	4-cylinder
Displacement, cubic cm (valves per cylinder)	1984 (4)	1984 (4)
Max. power, ¹ PS at rpm	300/5500-6200	300/5500-6200
Max. torque, Nm at rpm	380/1800-5500	380/1800-5500
Top speed, ² mph	155*	155*
0-62mph acceleration, seconds	5.3	4.9
ABI insurance group 1-50 ⁴	36E	36E
Unladen weight, ⁴ kg	1430	1460
Gross weight limit, kg	1980	2010
Roof load limit/nose weight, ⁵ kg	75/-	75/-
Luggage compartment capacity, rear seats upright, litres	390	390
Luggage compartment capacity, rear seats folded, litres	845	845
Fuel tank capacity approx, litres	55	55
Emission standard	EU6	EU6

Engine	2.0 TFSI quattro	2.0 TFSI quattro	
Transmission	6-speed manual	6-speed S tronic	
Max. power, ¹ PS at rpm	300/5500-6200	300/5500-6200	
CO ₂ emissions, ³ g/km	18" wheels	162	159
	19" wheels	164	160
Benefit in kind (BIK) %	18" wheels	27%	26%
	19" wheels	27%	27%
Fuel consumption, ³ mpg (l/100km) Urban	18" wheels	31.0 (9.1)	33.2 (8.5)
	19" wheels	30.7 (9.2)	32.8 (8.6)
Fuel consumption, ³ mpg (l/100km) Extra Urban	18" wheels	48.7 (5.8)	47.9 (5.9)
	19" wheels	47.9 (5.9)	47.1 (6.0)
Fuel consumption, ³ mpg (l/100km) Combined	18" wheels	40.4 (7.0)	40.9 (6.9)
	19" wheels	39.8 (7.1)	40.4 (7.0)



A3 Saloon Diesel technical data

Engine	1.6 TDI	1.6 TDI	1.6 TDI quattro	2.0 TDI	2.0 TDI	2.0 TDI quattro	2.0 TDI	2.0 TDI quattro
Transmission	6-speed manual	7-speed S tronic	6-speed manual	6-speed manual	6-speed S tronic	6-speed manual	6-speed manual	6-speed S tronic
Cylinder	4-cylinder	4-cylinder	4-cylinder	4-cylinder	4-cylinder	4-cylinder	4-cylinder	4-cylinder
Displacement, cubic cm (valves per cylinder)	1598 (4)	1598 (4)	1598 (4)	1968 (4)	1968 (4)	1968 (4)	1968 (4)	1968 (4)
Max. power, ¹ PS at rpm	110/3200-4000	110/3200-4000	110/3200-4000	150/3500-4000	150/3500-4000	150/3500-4000	184/3500-4000	184/3500-4000
Max. torque, Nm at rpm	250/1500-3000	250/1500-3000	250/1500-3000	340/1750-3000	340/1750-3000	340/1750-3000	380/1750-3250	380/1750-3250
Top speed, ² mph	126	126	120	139	139	136	149	147
0-62mph acceleration, seconds	10.7	10.7	11.2	8.6	8.3	8.3	7.4	6.9
ABI insurance group 1-50*	18E	18E	16E	24E	24E	23E	27E	26E
Unladen weight, ³ kg	1270	1290	1390	1315	1320	1395	1320	1430
Gross weight limit, kg	1820	1840	1940	1865	1870	1945	1870	1980
Roof load limit/nose weight, kg	75/75	75/75	75/75	75/75	75/75	75/75	75/75	75/75
Max trailer load unbraked, ⁴ kg	670	680	730	690	690	730	690	750
Max trailer load with 12% gradient, ⁴ kg	1500	1500	1500	1600	1600	1800	1600	1800
Max trailer load with 8% gradient, ⁴ kg	1700	1700	1700	1800	1800	1800	1800	1800
Luggage compartment capacity, rear seats upright, litres	425	425	390	425	425	390	425	390
Luggage compartment capacity, rear seats folded, litres	880	880	845	880	880	845	880	845
Fuel tank capacity approx, litres	50	50	55	50	50	55	50	55
Emission standard	EU6	EU6	EU6	EU6	EU6	EU6	EU6	EU6

*Highest insurance group rating shown. Group may be lower dependent on trim level. Please visit thatcham.org/abigrouprating for details.

Please note: The maximum power output figures are quoted in PS (or Pferdestärke, which is the metric equivalent of brake horsepower). To convert to brake horsepower, divide the PS figure by 1.0139.

¹The given value was obtained in accordance with the specified measurement procedure (the respective current version of the Directive 80/1269/EEC).

²Top speed is achieved in top gear.

³Vehicle's unladen weight without driver (calculated in accordance with the current version of Directive 80/1268/EEC). The fitting of additional equipment may increase the vehicle's unladen weight and drag coefficient, whereupon the potential carrying capacity and top speed will be correspondingly reduced.

⁴The engine's power output always goes down with increasing altitude. At 1,000m above sea level, and for every additional 1,000m, deduct 10% from the weight of the outfit (trailer load limit + gross weight of the towing vehicle).

A3 Saloon Diesel technical data

Depending upon your chosen A3 Saloon wheel size, different efficiency figures for CO₂ emissions and fuel consumption will apply (based on EU directive no. 715/2007 effective from 01/09/14). This table is a quick reference guide to assist you in finding the correct values based on wheel sizes and your chosen engine.

Please note: The maximum power output figures are quoted in PS (or Pferdestärke, which is the metric equivalent of brake horsepower). To convert to brake horsepower, divide the PS figure by 1.0139.

¹The given value was obtained in accordance with the specified measurement procedure (the respective current version of the Directive 80/1269/EEC).

²Fuel consumption and CO₂ emissions figures are obtained under standardised test conditions (Directive 93/116/EEC) using a representative model. This allows direct comparison between different models from different manufacturers, but may not represent the actual fuel consumption achieved in 'real world' driving conditions. More information is available at dft.gov.uk/vca

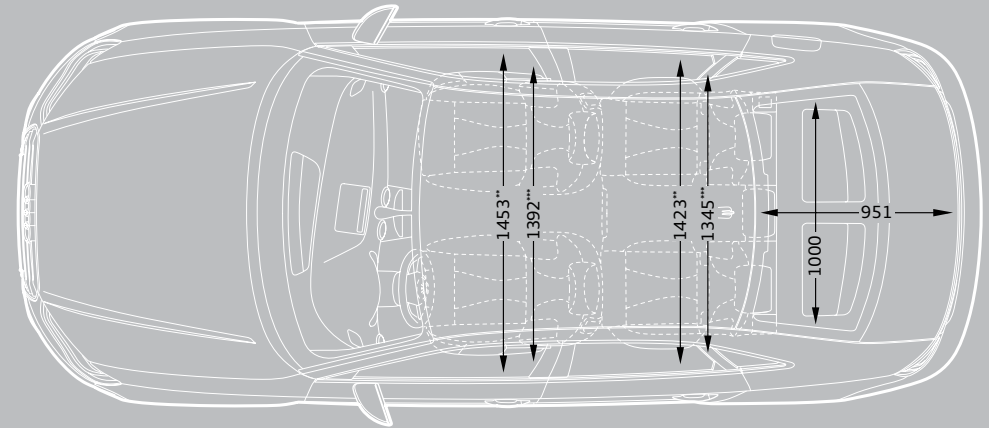
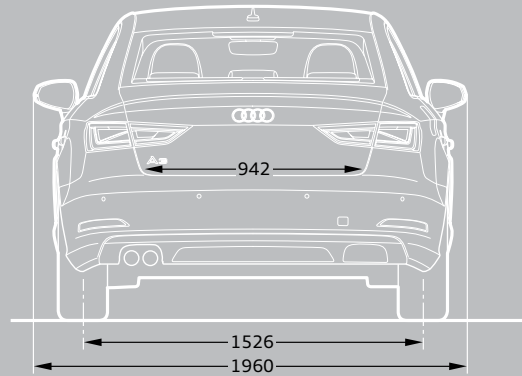
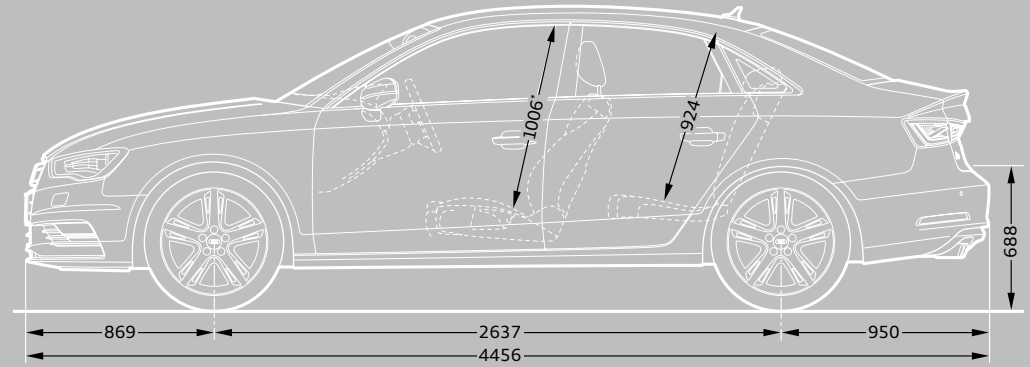
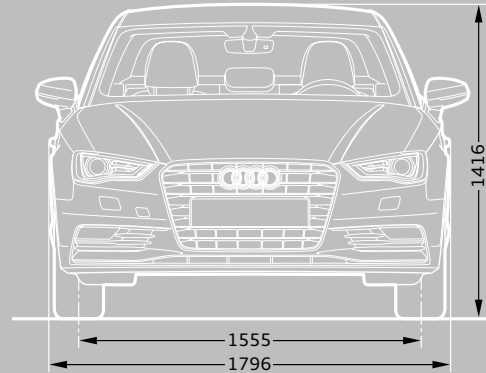
Standard EU test figures for comparative purposes and may not reflect real driving results.

Optional wheels may also affect emissions and fuel consumption figures.

Engine		1.6 TDI	1.6 TDI	1.6 TDI quattro	2.0 TDI	2.0 TDI	2.0 TDI quattro	2.0 TDI	2.0 TDI quattro
Transmission		6-speed manual	7-speed S tronic	6-speed manual	6-speed manual	6-speed S tronic	6-speed manual	6-speed manual	6-speed S tronic
Max. power, ¹ PS at rpm		110/3200-4000	110/3200-4000	110/3200-4000	150/3500-4000	150/3500-4000	150/3500-4000	184/3500-4000	184/3500-4000
CO ₂ emissions, ² g/km	17" wheels	104	104	127	107	118	125	112	127
	18" wheels	106	106	130	108	120	127	114	129
	19" wheels	-	-	-	109	121	128	116	130
Benefit in kind (BIK)%	17" wheels	18%	18%	23%	19%	21%	23%	20%	23%
	18" wheels	19%	19%	24%	19%	22%	23%	20%	23%
	19" wheels	-	-	-	19%	22%	23%	21%	24%
Fuel consumption, ² mpg (l/100km) Urban	17" wheels	61.4 (4.6)	64.2 (4.4)	51.4 (5.5)	56.5 (5.0)	53.3 (5.3)	49.6 (5.7)	55.4 (5.1)	51.4 (5.5)
	18" wheels	60.1 (4.7)	62.8 (4.5)	50.4 (5.6)	55.4 (5.1)	52.3 (5.4)	48.7 (5.8)	54.3 (5.2)	50.4 (5.6)
	19" wheels	-	-	-	54.3 (5.2)	51.4 (5.5)	47.9 (5.9)	53.3 (5.3)	49.6 (5.7)
Fuel consumption, ² mpg (l/100km) Extra Urban	17" wheels	80.7 (3.5)	78.5 (3.6)	65.7 (4.3)	78.5 (3.6)	68.9 (4.1)	67.3 (4.2)	76.3 (3.7)	64.2 (4.4)
	18" wheels	78.5 (3.6)	76.3 (3.7)	64.2 (4.4)	76.3 (3.7)	67.3 (4.2)	65.7 (4.3)	74.3 (3.8)	62.8 (4.5)
	19" wheels	-	-	-	74.3 (3.8)	65.7 (4.3)	64.2 (4.4)	72.4 (3.9)	61.4 (4.6)
Fuel consumption, ² mpg (l/100km) Combined	17" wheels	72.4 (3.9)	72.4 (3.9)	60.1 (4.7)	68.9 (4.1)	62.8 (4.5)	58.9 (4.8)	67.3 (4.2)	58.9 (4.8)
	18" wheels	70.6 (4.0)	70.6 (4.0)	58.9 (4.8)	67.3 (4.2)	61.4 (4.6)	57.6 (4.9)	65.7 (4.3)	57.6 (4.9)
	19" wheels	-	-	-	65.7 (4.3)	60.1 (4.7)	56.5 (5.0)	64.2 (4.4)	56.5 (5.0)

A3 Saloon dimensions

The technical drawings opposite show the exact dimensions of the Audi A3 Saloon, so you can check everything – from whether the car will fit in your garage to whether your luggage will fit in the boot.



Dimensions in millimetres. Optional equipment may affect dimensions.

*Maximum headroom.

**Elbow room width.

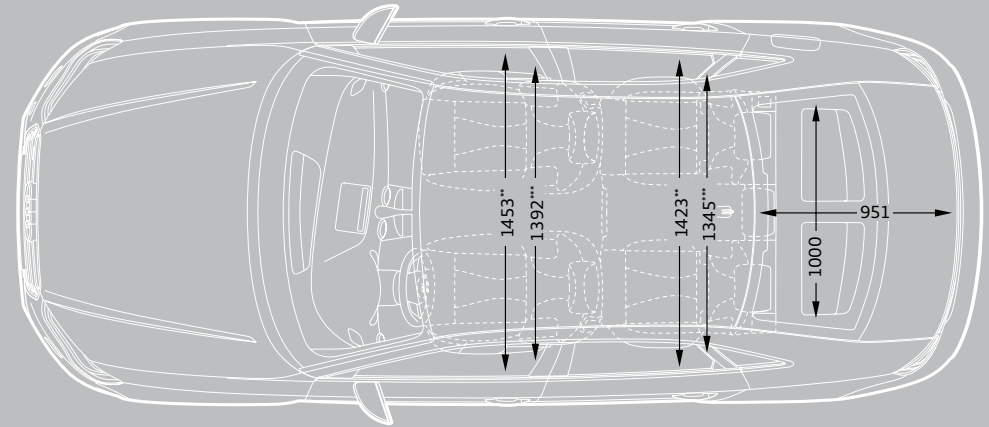
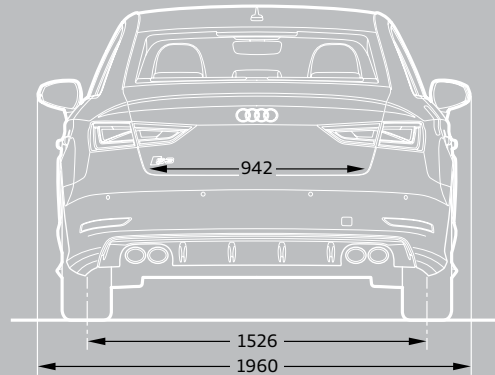
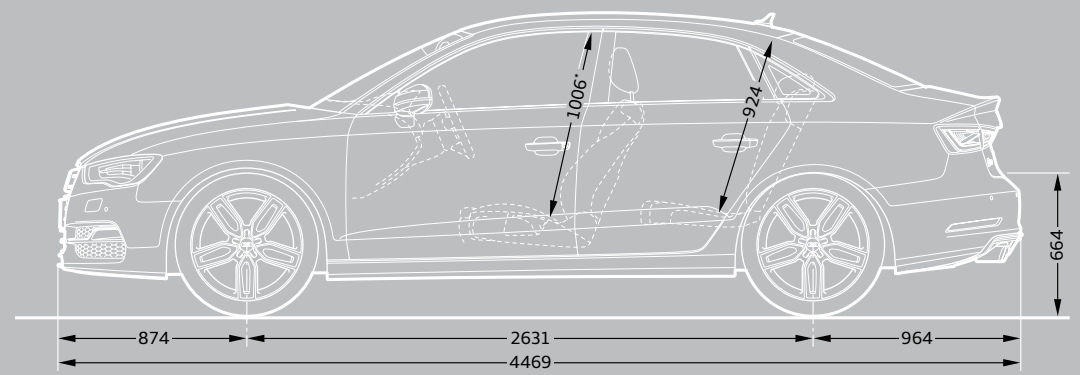
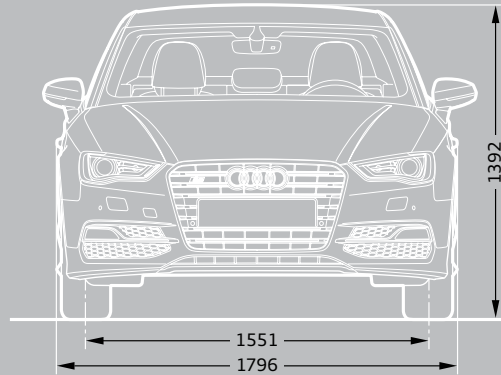
***Shoulder room width.

Turning circle approx 10.7m.

Dimensions measured with vehicle at unladen weight.

S3 Saloon dimensions

The technical drawings opposite show the exact dimensions of the Audi S3 Saloon, so you can check everything – from whether the car will fit in your garage to whether your luggage will fit in the boot.



Dimensions in millimetres. Optional equipment may affect dimensions.

*Maximum headroom.

**Elbow room width.

***Shoulder room width.

Turning circle approx 11.0m.

Dimensions measured with vehicle at unladen weight.

Pricing and Additional information

Welcome to Audi

By placing an order for your Audi, you're choosing to drive a car created in the spirit of Vorsprung durch Technik. And because we believe the service we offer should reflect the quality of our cars, we want to let you know exactly what you can expect from us, now and in the future.

Audi Promise

Audi Centres

We guarantee that all our Centres will be open as follows:

Sales: Monday to Friday 9am–6pm
Saturday 9am–5pm

Service: Monday to Friday 8am–6pm
Saturday 8.30am–1pm

Sunday opening is at local discretion.

New car delivery

Once we've confirmed a delivery date for your car, we'll keep you informed of progress. Subject to reasonable notice, we'll then deliver it to a place of your choice, whether that's your home or work. In the unlikely event of a delay, we'll provide a courtesy car to minimise inconvenience and keep you mobile.

Information in this guide

We've done all we can to make the prices, specifications, technical details and all other information you see in this guide accurate at the time of publication. However, as our products are constantly being updated, we recommend checking the details with your Audi Centre. We reserve the right to change prices or specifications at any time.

All prices are subject to VAT, currently charged at 20%, but this may alter to reflect any change in the applicable VAT rate.

Delivery charges and number plates are not included in the Total RRP inc VAT vehicle price.

Delivery charge	£504.99
Number plate	£20.00
VAT	£105.01
Total	£630.00

Recommended On-The-Road (OTR) prices include the delivery and number plate charges above, Road Fund Licence (which may vary depending on model/transmission – see table for details) and first registration fee at £55.00.

The images featured in this guide are for illustrative purposes only. They may feature left-hand drive vehicles and include equipment that is not UK specification.

Audi Customer Care

Every new Audi benefits from the comprehensive Audi Customer Care Package, which comprises:

- ▶ A 3-year Audi warranty, which covers you for unlimited mileage in the first 2 years of ownership, with a full mechanical and electrical warranty which covers you for up to 60,000 miles in the 3rd year
- ▶ A 3-year paint warranty
- ▶ A 12-year anti-corrosion warranty
- ▶ 3 years' UK roadside assistance and recovery

You also have the option when ordering your new car of choosing a 4-year or 5-year Audi warranty. Speak to a member of the sales team for more information.

Warranty terms and conditions apply. Please see audi.co.uk/warrantyterms for further details.

Audi tax-free sales

If you are entitled to purchase a vehicle free of VAT, normally through military or diplomatic privilege, please contact your local Audi Centre for full details.

Should you have any difficulty obtaining the information you require, please call 0870 241 5663.

Audi Financial Services

Audi Financial Services specialises in providing funding solutions for Audi drivers. Whether your Audi is for private or business use, there is a range of funding options to choose from.

Below is the full range of finance products, which comprises:

- ▶ Solutions – a Personal Contract Plan
- ▶ Hire purchase
- ▶ Lease purchase
- ▶ Finance lease
- ▶ Contract hire

With all products, you can choose a fixed-cost maintenance plan designed to help you budget accurately.

No matter which Audi model you choose, your local Audi Centre can provide you with a personalised quote designed to fit your budget and motoring needs.

Audi Financial Services is a trading name of Volkswagen Financial Services (UK) Limited. An offer of finance depends on certain conditions. Available to people over 18 in the UK only.

Audi Insurance

To ensure you can start enjoying your new car from day one, the first five days' insurance is included as standard with all new Audi models. To activate simply call 0330 303 6900, provide us with a few details, and we'll send a cover note to your Audi Centre. They will then tax your car and you can drive it away. Telephone lines are open Monday to Friday 8am–8pm and Saturday 9am–4pm. For details of our full range of Insurance products visit insurewithaudi.co.uk

CO2 data and information

CO2 emissions-based Vehicle Excise Duty

Vehicle Excise Duty (Road Fund Licence) is based upon the amount of Carbon Dioxide (CO2) a vehicle emits, measured in grams per kilometre (g/km).

First year VED rates apply to the first year of ownership. Annual VED rates apply thereafter. The DVLA has created thirteen categories:

Petrol and Diesel engines	First year	Annual rate (second year onwards)
A – up to 100g/km	£0.00	£0.00
B – 101 to 110g/km	£0.00	£20.00
C – 111 to 120g/km	£0.00	£30.00
D – 121 to 130g/km	£0.00	£110.00
E – 131 to 140g/km	£130.00	£130.00
F – 141 to 150g/km	£145.00	£145.00
G – 151 to 165g/km	£180.00	£180.00
H – 166 to 175g/km	£295.00	£205.00
I – 176 to 185g/km	£350.00	£225.00
J – 186 to 200g/km	£490.00	£265.00
K – 201 to 225g/km	£640.00	£290.00
L – 226 to 255g/km	£870.00	£490.00
M – over 255g/km	£1,100.00	£505.00

Vehicle Excise Duty (VED) rates correct at time of going to print, but these may alter to reflect any change in the applicable VED rate.

Audi Connect

The following external data source is required to enable Audi Connect online services:

- ▶ A separate SIM card with data option (which can be inserted into the included SIM card reader). If LTE usage is required the SIM card will also need an LTE option. When a separate SIM card is used, hands-free phone calls are possible by connecting a different mobile telephone via Bluetooth Hands-Free Profile. For mobile phone and software compatibility please visit audi.co.uk/phonecompatibility or your Audi Centre.

Online services will only be available within the coverage of the mobile phone network; there may be additional costs for the use of these services (charges and billing correspond to the personal mobile phone contract or SIM card contract). Due to high data volumes, a mobile phone contract including an unlimited or high usage data plan is strongly recommended. The content and scope of the online-based services offered may vary.

When ordered as an option, a 36-month Audi Connect subscription is provided with your vehicle. The subscription runs from the point of vehicle delivery. Should you wish to continue to use Audi Connect after 36 months, please consult your Audi Centre for details (including the latest subscription fees).

Audi Connect services listed are correct at time of publication. We may add, change, replace or remove individual Audi Connect services or features at any time during your subscription.

Audi Connect enables access to the services of Google and Twitter. Permanent availability cannot be guaranteed as this is the responsibility of Google and Twitter. Google and the Google logo are registered trademarks of Google Inc.

The availability of services supported by Audi Connect varies from country to country and is dependent on the capability of your mobile phone. For mobile phone and software compatibility please visit audi.co.uk/phonecompatibility or your Audi Centre.

Map updates

The map version delivered can be updated with the first 5 updates which are issued at intervals of 6 months. The current navigation data can be downloaded from the myAudi Platform at audi.com/myaudi and installed in the vehicle via SD card. In addition it is possible to have the new navigation data installed by an Audi partner at extra cost.







Audi UK
Customer Services
Selectapost 29
Sheffield
S97 3FG
0800 699888
audi.co.uk

Information in this guide is
subject to change without notice.

© Audi (UK)

Printed in the UK
Edition 7.0 01/16
2016 model year

Images are for illustrative purposes only.