



The Audi A7 and S7 Sportback

Pricing and Specification Guide

Valid from January 2016

Personalising your Audi A7

This guide has been designed to help you tailor and price your Audi A7 quickly and logically. At the back, you will find information on CO2 emissions-based taxation and services offered with your Audi, including Finance and Insurance. You can also configure your Audi A7 online at audi.co.uk



Get more from this brochure with the free Audi Vision app.

Audi Vision brings our brochures to life through Augmented Reality. It works by recognising images on a page through your device's camera. Suitable for compatible phones or tablets, download it for free from the App Store or Google Play. Once downloaded, simply open the app and scan the cover of your guide. Then look out for any page with the Audi Vision logo, you can then hold your device over the page and watch as you get exclusive access to extra images, information and video content.



The images featured in this guide are for illustrative purposes only. They may feature left-hand drive vehicles and include equipment that is not UK specification.

The Audi A7 Sportback

Audi Matrix LED headlights quattro	8
ultra	14
Technology	18
Audi Connect	20
S7	22

Model details and prices

A7 SE Executive model equipment	24
A7 S line model equipment	26
A7 Black Edition model equipment	28
S7 model equipment	30
Model prices	32

Colour and upholstery

Paint	34
Upholstery and seats	38
Colour and trim guide	48

Inlays

Options

Wheels and tyres	54
Suspension	58
Packages	60
Headlights	63
Interior equipment	64
Exterior equipment	65
Audio and communication	66
Safety and security	67

Looking after your Audi

Audi Complete and Warranty	68
Accessories	71
Merchandise	72
Audi Difference	73

Technical details

Technical data	74
Dimensions	78
Pricing and Additional information	80





Vorsprung durch Technik

Three words that express the very essence of Audi – Vorsprung durch Technik. It's not just a slogan, it's our way of seeing the world and the driving force behind our history of innovation that continues into the 21st century. Indeed, many technologies that have become synonymous with Audi remain in our cars today. Some are milestones in the history of the motorcar. From our beginnings in 1899, to the Auto Union team's Grand Prix successes in the 1930s and our more recent wins at Le Mans, we have always been at the forefront of the motor industry.

Vorsprung durch Technik makes us who we are. To see more of its influence, just read on.



The Audi A7 Sportback. Style. Refinement. Performance.

At once striking and elegant, the Audi A7 Sportback fuses the luxury and refinement of an executive saloon with the looks and agility of a coupé. A sweeping roofline and wide, imposing stance more than hint at its performance credentials. Its spacious interior, crafted with meticulous attention to detail, envelops driver and passengers in supreme comfort.







Matrix LED lights

Illuminating features

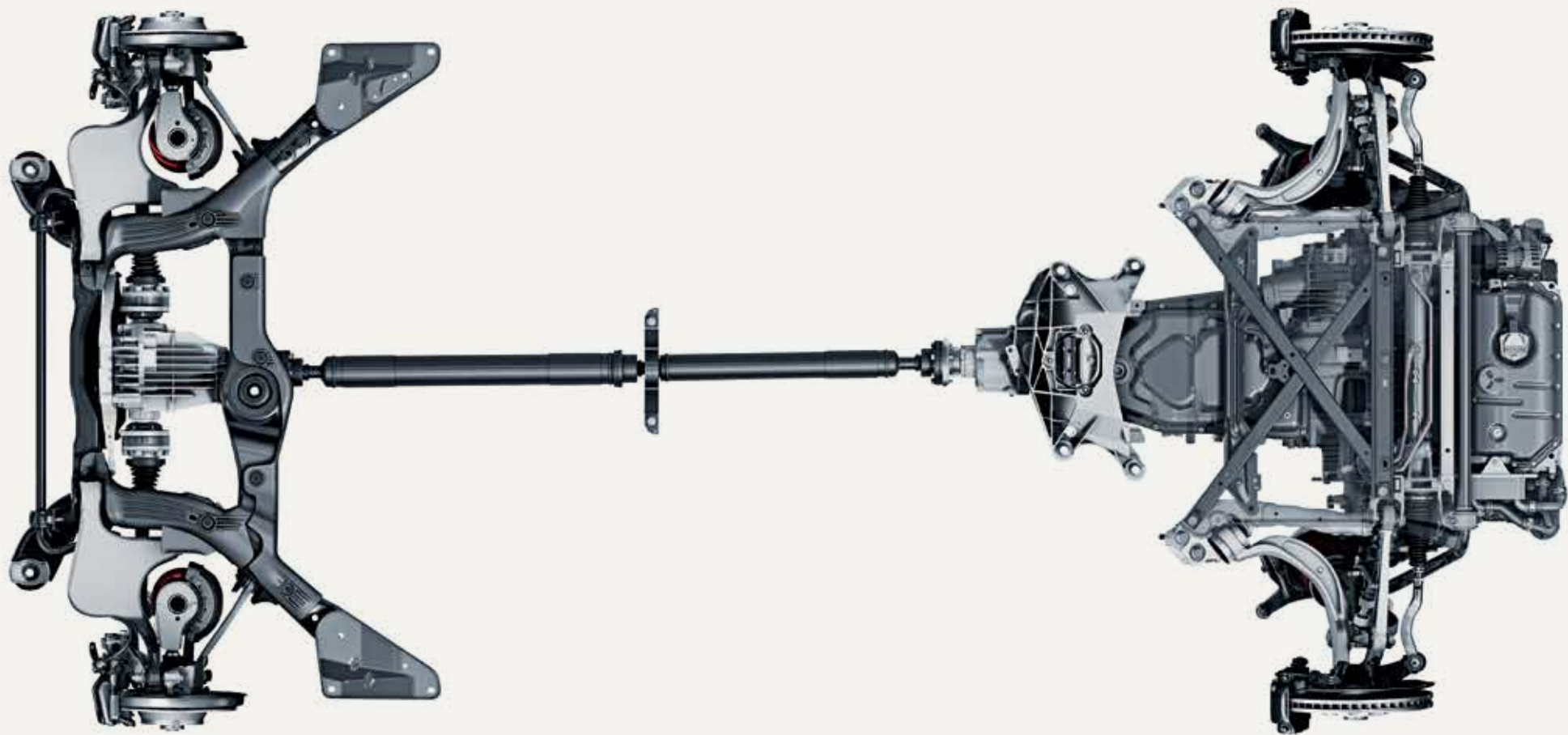
The Audi A7 Sportback's Matrix LED headlights don't just produce a light that is similar in colour to daylight. They also incorporate remarkable technology that adapts automatically to the car's surroundings.

Fitted as standard on the A7 Sportback S line and Black Edition, sensors and an inbuilt camera allow Matrix LED headlights to detect the rear and oncoming lights of other road users, as well as ambient light in built-up areas. The technology then reacts by dipping individual LEDs to prevent dazzle, while still fully illuminating the remainder of the road.

Using the vehicle's navigation data, Matrix LED technology can even anticipate corners, adjusting LEDs as you negotiate the bend. The result is a much wider visual range, benefitting both you and other road users. Dynamic sweeping indicators complete the striking look both at the front and rear.







quattro

It's the technology that has been synonymous with Audi ever since it was first introduced over 30 years ago – a technology that helps deliver greater traction on all surfaces. It's called quattro permanent all-wheel-drive. The principle is simple: in the same way that four brakes ensure better deceleration, four permanently-driven wheels aid acceleration and road-holding by distributing power to each individual wheel as necessary. The result is a dynamic driving experience in all conditions.

quattro with Sport differential

Fitted as standard on the S7 Sportback and as an option on the A7 Sportback quattro models, quattro with Sport differential takes the driving dynamics of quattro to a whole new level, improving stability and agility.

By distributing torque variably to each of the rear wheels, the car steers even more spontaneously and directly. When cornering, for example, power is redirected to the outside rear wheel, literally pushing the car through the bend. It requires less steering effort – for a more agile, enhanced drive.

ultra

The ultra badge is used to signify the lowest CO₂ model in the A7 range. The A7 Sportback's 3.0-litre TDI ultra engine delivers 218PS of power with CO₂ emissions from 118g/km.* Yet, with acceleration of 0-62mph in just 7.3 seconds and a top speed of 148mph,** none of your driving pleasure is sacrificed.

Nor is any of the refinement of the A7. Available on SE Executive and S line trim levels without equipment restrictions, the Audi A7 ultra offers an irresistible package of luxury, efficiency and performance.



Image for illustrative purposes only.

*Standard EU test figures for comparative purposes and may not reflect real driving results. Optional alloy wheels may also affect CO₂ emissions and fuel consumption figures.

**Where the law permits.









Technology

Technology is advancing at an ever faster pace, and choosing the right technology for your car is an important decision.

Here at Audi, we strive to make that choice as easy as possible, so we have packaged some of our optional equipment together for simplicity.

Examples of this are our Technology Pack and Technology Pack Advanced, featuring HDD navigation and our top-of-the-range connectivity systems. For further details please see page 60.



MMI Navigation Plus with MMI Touch

With HDD-based MMI Navigation Plus with MMI Touch, you can let yourself be guided to your destination with even greater ease by the 8" display with 3D map view and 3D displays of places of interest and landmark buildings. Destinations can be entered via speech dialogue, the MMI rotor, or the MMI touchpad which recognises handwriting.



Head-up Display

A system which projects key driving-related information in colour graphic display, into your field of vision, so there is no need to take your eyes off the road.



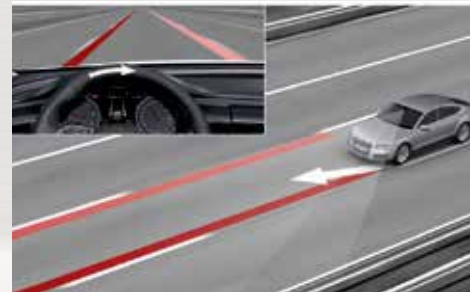
Audi Phone Box*

Enables drivers to use their mobile phone in the car by placing it in the storage compartment provided in the front centre console to create a wireless connection to the vehicle aerial, improving reception quality (subject to network coverage). Operated via the MMI control panel, the multi-function steering wheel or the voice control system. Charging available via USB port. Audi Phone Box option also provides an additional Bluetooth interface for a second device, meaning two mobile phones can be connected to the vehicle simultaneously.



Audi Side Assist

An assistance system for multi-lane roads which helps alert you to other vehicles in your blind spot when changing lanes. Using radar sensors discreetly hidden in the rear bumper, other vehicles are detected and the driver alerted with a visual warning signal in the door mirror.



Audi Active Lane Assist

A safety system which helps to keep you in lane by means of gentle steering intervention when lane boundary markings are detected. Particularly useful on long motorway journeys is the active lane centring feature which gives steering assistance to keep your vehicle in the centre of the lane.



Adaptive Cruise Control with Stop&Go

The Adaptive Cruise Control with Stop&Go featuring Pre-sense plus detects vehicles ahead using a radar sensor. The distance between the vehicles is kept more or less constant by automatic braking or accelerating. Pre-sense plus provides enhanced brake assist functions which can detect and warn of imminent collision threats, as well as initiate maximum braking to help avoid or minimise collisions if possible.

Vehicle driver assistance and safety systems are not a substitute for attentive driving. Drivers retain full responsibility for providing the necessary inputs for safe control of the vehicle.

System descriptions within this brochure are provided for information purposes only. System limitations and operational requirements apply. See manual for details.

*For mobile phone and software version compatibility, please visit your Audi Centre or audi.co.uk/phoncompatibility

Audi



Wi-Fi hotspot

Connects your mobile devices to the internet



Email

Your emails can be transmitted to your Audi MMI and read out conveniently†



Text messages

Messages are displayed or read out to you; you can also reply using the dictation function†



Twitter

Enables you to tweet and receive updates on the move, with text-to-speech and other convenient text functions



Weather information

Gives you forecasts and maps for your chosen destination



News online (individual)

Text and images from your favourite news sources with text-to-speech function



Map update online

The map version delivered can be updated free of charge with the first 5 navigation updates which are issued at intervals of 6 months. In conjunction with Audi Connect, the update can be carried out online in the vehicle



City events

Up-to-date information about events happening at your destination



Points of interest

Search Google™ using voice control



Traffic information online

Complements the dynamic route guidance with real-time traffic flow information for individual stretches of road



myAudi – special destinations

Import individual point-of-interest (POI) lists to your Satellite Navigation System via the myAudi portal



Train information

Find departure and arrival times and platform information while you're on the road (also available for other types of public transport such as underground systems)



Picturebook navigation

Uses GPS data from your photos to get you to your destination



Country-specific information

The legal regulations for a specific country, such as speed limits or whether it is compulsory to carry a high-visibility vest or display a motorway toll sticker, are displayed when crossing a border



Fuel prices

Information on filling stations with the cheapest prices in your selected search area



Parking information

Helps you find car parks nearby and, where available, information on prices and currently vacant spaces



Flight information

Get information about departure and arrival times as well as the corresponding gates and search directly for flight numbers



Access smartphone voice control

Such as Siri (iPhone 4S and higher). By pressing and holding the voice control button on the multi-function leather steering wheel, you can access the voice control function of the Bluetooth-connected smartphone directly even while driving



Navigate with Google Earth™ and Google Street View™

Uses high-resolution aerial and satellite images as well as photos to guide you to your destination with ease



Connect

Stay networked on the move.

Being inside your car shouldn't mean losing touch with the outside world. That's why, with optional Audi Connect, the A7 Sportback creates a link between you and the Internet.

With 4G Internet access in your car, you can go online to access information, entertainment and Google Earth™ navigation maps by scrolling, tapping or speaking your commands. Audi Connect can even read aloud your text messages and allows you to dictate a response. And, with a wireless hotspot within the car, passengers can connect up to 8 mobile devices – to browse the Internet, download emails, or access social media.

With Audi Connect, the world is at your fingertips.

Please note that an external data source is required to enable Audi Connect online services. Terms and conditions apply to certain Audi Connect functions. Please see page 81 for additional information. *For information about compatible phones and software versions, please visit audi.co.uk/phonecompatibility





S7

Beautiful. Powerful. Dynamic.

The S badge on an Audi model signifies something special. And the S7 Sportback is no exception.

A 4.0-litre TFSI 450PS V8 engine, capable of 0-62mph in just 4.6 seconds. Sport adaptive air suspension. quattro all-wheel-drive with Sport differential. All providing breath-taking performance, harnessed with exceptional agility and handling.

And yet, with innovations like cylinder-on-demand technology that automatically shuts down 4 of the 8 cylinders in situations where they are not required, like in city traffic, high performance is intelligently balanced with economy.

Luxury and sportiness: the interior of the S7 unites both, immersing you in total comfort, while staying true to the car's performance credentials. Electrically adjustable leather S Sport seats embody this principle, while aluminium infused instrument controls, pedals and steering all add a dash of sporting flair. In the Audi S7, refinement has never felt so dynamic.

A7 SE Executive model equipment

All A7 Sportback models have the following items of standard equipment

Engines and Efficiency

Automatic Start-stop system with energy recovery

Recuperation – the kinetic energy produced from braking or coasting is converted into electrical energy and stored temporarily in the battery. When accelerating, this energy is used, relieving the load on the alternator and can result in a fuel saving of up to 3%

Wheels, tyres and suspension

19" x 8.5J '5-arm Y' design alloy wheels with 255/40 R19 tyres

Audi Drive Select – features four pre-configured modes (Comfort, Auto, Dynamic and Efficiency), allowing the driver to electronically adjust the engine, transmission and steering

Space-saver spare wheel

Dynamic suspension

Lighting

All-weather LED headlights – LEDs for all front lighting functions. LED technology provides lower energy consumption and creates a colour similar to daylight. Includes all-weather light function to reduce the risk of the driver being dazzled when visibility is poor (in fog, rain or snow)

Dynamic rear indicator – the rear indicators dynamically sweep from inside to out. This helps to clearly identify not only that the vehicle is turning, but in which direction – increasing road safety as it is easier for other road users to determine which way cars are moving in a shorter amount of time

LED tail lights

Audio and communication

MMI Navigation (SD card based) – includes: 6.5-inch MMI colour display with high quality map display, voice control using whole words, dynamic route guidance, additional arrow display in Driver's Information System

Bluetooth interface – for mobile phone and software version compatibility, please visit your Audi Centre or audi.co.uk/phonecompatibility

Audi Music Interface – Universal connection for use with stereo audio sources, USB and MP3 devices including Apple iPod generation 4 onwards (iPod, iPod classic, iPod mini, iPod nano, iPod photo, iPod video, iPod Touch). The interface provides charging function (dependent on device and cable)

MMI Radio Plus and DAB – including:

- 2 x SDHC memory card readers (up to 32GB)
- Single CD player and memory card reader that supports MP3, WMA and AAC
- TP memo – automatically saves traffic news when driving

Colour Driver's Information System – with 7" high resolution TFT screen. Shows information from the driver assistance systems; media in use, rest recommendation, telephone menu, outside temperature and MMI content

Audi Sound System

- 6 channel amplifier
- 180 watt amplifying capacity
- 10 loud speakers including subwoofer located in spare wheel well



Exterior equipment

Exterior mirrors – heated and electrically adjustable, with automatic kerb view function which tilts the passenger mirror downwards towards the kerb when reverse gear is engaged. Includes memory function

Electric tailgate

High-gloss package – includes window trim surround in aluminium and B-pillar trim in high-gloss black finish

Retractable rear spoiler

Interior equipment

Deluxe 4-zone air conditioning

3-spoke leather trimmed multi-function Sport steering wheel – with paddles

Sport steering wheel – with paddles

Auto-dimming rear view mirror

Aluminium delta inlays

Door sill trims with aluminium inlay

Front centre armrest

Front and rear floor mats

Non-smoking package

Seating

Standard seats in Milano leather upholstery

Electrically adjustable front seats with electrically adjustable 4 way lumbar support – including:

- Forwards/backwards position
- Seat height and angle
- Backrest angle
- Memory function for driver's side

Heated front seats

Split-folding rear seats

Assistance systems

Audi Parking System Plus – acoustic and visual parking system for the front and rear

Cruise control

Light and rain sensor

Tyre pressure loss indicator

Audi Hill-hold Assist – holds vehicle stationary for unlimited periods after stopping on uphill and downhill gradients

Keyless go – allows engine to be started by simply pressing the start/stop button in the centre console. The key just needs to be carried

Safety and security

Electronic stability control (ESC)

Six airbags

- Front airbags
- Front side airbags
- Curtain airbags

ISOFIX – Child seat mounting – for front passenger (with airbag deactivation) and outer rear seats. Including Top Tether attachment point for the outer rear seats

Anti-theft alarm



Image shows the A7 Sportback SE Executive with optional Cuvée silver, metallic paint (0D) and optional 20" x 9J '5-spoke 'W' design alloy wheels (PRC)

A7 S line model equipment

In addition to A7 SE Executive model equipment

Total RRP inc VAT*
£2,790.00

Wheels, tyres and suspension

20" x 9J '5-twin-spoke' design alloy wheels with 265/35 R20 tyres

Sport suspension – lowered by 10mm with more firmly tuned springs and dampers (de-selection of Sport suspension is available)

Lighting

Audi Matrix LED headlights. A direct evolution of Audi's LED headlights, Matrix technology provides maximum and precise illumination at all times without dazzling other road users. The vehicle uses information obtained from multiple sources including the interior mirror camera and navigation system to identify the appropriate lighting required; using GPS data the vehicle will use high beam, but will automatically switch to dipped lighting when entering built-up areas; whilst high beam is in use, and oncoming traffic is detected, the Matrix beam dips or fully extinguishes individual

lighting diodes. Matrix beam is capable of establishing and tracking multiple road users and illuminating the appropriate corridors of lights either side of them to maintain maximum visibility of the road and surrounding environment without causing disruption to other drivers. Matrix beam technology includes dynamic front indicators which sweep from inside to out. This helps to clearly identify not only that the vehicle is turning, but in which direction – increasing road safety as it is easier for other road users to determine which way cars are moving in a shorter amount of time

Exterior equipment

S line bumpers, side ventilation grilles, side skirts and diffuser insert
Diffuser insert in platinum grey
S line badges on the front wings

Interior equipment

Inlays in matt brushed aluminium
Headlining in black cloth
S line badge on the steering wheel
Door sill trims with S line logo
Gear lever knob in black perforated leather
Door insert trim in Alcantara upholstery

Seats

Front Sport seats
Upholstery in black Valcona leather with S line logo embossed in the front seat backrests





Image shows the A7 Sportback S line model with optional Misano red, pearl effect paint (N9)

A7 Black Edition model equipment

In addition to A7 S line model equipment

Total RRP inc VAT*
£2,350.00

Wheels, tyres and suspension

21" x 9J '5-arm Rotor' design titanium-look alloy wheels with 275/30 R21 tyres

S line Sport suspension with a more dynamic suspension tuning and vehicle lowered by 10mm (over Sport suspension)

Audio and communication

BOSE® surround sound

Exterior equipment

Black styling package – includes:

- Radiator grille frame and radiator grille struts in high-gloss black
- Radar sensor surrounds (if fitted) in the side ventilation grille in high-gloss black
- Front side grilles in matt black
- Radiator grille in matt black
- Number plate holder in matt black
- Window capping strips in high-gloss black
- Side profile roof-trim strip in high-gloss black

Privacy glass – dark tinted rear and side windows (from B-pillar backwards)

Interior equipment

Inlays in Piano finish, black





Image shows the A7 Sportback Black Edition model in optional Glacier white, metallic paint (2Y)

S7 Sportback standard equipment

In addition to A7 SE Executive model equipment

Engines and efficiency

Audi cylinder-on-demand technology

Active noise cancellation system –

compensates for noise interference inside the car, depending on the interior noise level and engine speed. Four microphones installed in the roof lining register background engine noise and, if necessary, a precisely calculated antiphase sound is emitted through the car's internal sound system

75-litre fuel tank

Wheels, tyres and suspension

20" x 9J '5-parallel spoke Star' design alloy wheels with 265/35 R20 tyres

'S' Sport adaptive air suspension –

electronically controlled air suspension with continuously adaptive damping system on all 4 wheels to automatically regulate vehicle ride height by up to 20mm depending upon mode. Choice of 4 modes – Auto, Comfort, Dynamic and Lift, selected via the MMI system

quattro with Sport differential –

the electronically regulated Sport differential distributes variable amounts of driving force to each rear wheel, improving stability and agility especially when cornering. It ensures better direct steering characteristics and thanks to less steering effort, more agile handling

Exterior equipment

Aluminium-effect exterior mirror housings

Dual-branch oval twin tailpipes in chrome finish

Matt black painted brake calipers with S7 logo

Front bumper air intakes with aluminium-effect accents

Platinum grey 'S' single-frame grille – with dual struts in chrome and S7 logo

Platinum grey bumper diffuser insert with aluminium-effect strip

'S' body coloured side sill trims



20" x 9J '5-parallel spoke Star' design alloy wheels



Platinum grey 'S' single-frame radiator grille and S7 logo

Interior equipment

Inlays in Carbon atlas

'S' Sport steering wheel with contrast stitching and S7 emblem – with gear shift paddles

Lighting package – includes lighting for the interior and exterior

Storage package – includes 2 drink holders in the rear centre armrest, luggage net and 2 x 12V sockets in the rear

Start/stop button with red illumination

'S' instrument dials

Aluminium door sill trims with S7 logo

Door insert trim in Alcantara upholstery

Seating

'S' Super Sport front seats with driver's side memory function (12-way adjustable) including:

- Stitched diamond design with embossed S7 badge
- Electrically adjustable seat height
- Electrically adjustable seat forwards and backwards position
- Electrically adjustable upper backrest angle
- Electrically adjustable seat cushion angle
- 4-way electric lumbar support

'S' Super Sport rear seats – in a 2 seat configuration

Valcona leather upholstery

Assistance systems

'S' model enhanced braking system

Safety and security

Tracking system preparation



'S' instrument dials



Aluminium-effect exterior mirror housings

A7 SE Executive

Engines	Power	Transmissions	CO ₂ g/km*	Total RRP inc VAT [^]	Recommended OTR [†]
3.0 TDI ultra	218PS	7 speed S tronic	118	£45,730.00	£46,415.00
3.0 TDI quattro	218PS	7 speed S tronic	134	£47,355.00	£48,170.00
3.0 TDI quattro	272PS	7 speed S tronic	138	£49,940.00	£50,755.00

A7 S line

Engines	Power	Transmissions	CO ₂ g/km*	Total RRP inc VAT [^]	Recommended OTR [†]
3.0 TFSI quattro	333PS	7 speed S tronic	182	£52,510.00	£53,545.00
3.0 TDI ultra	218PS	7 speed S tronic	122	£48,520.00	£49,205.00
3.0 TDI quattro	218PS	7 speed S tronic	137	£50,150.00	£50,965.00
3.0 TDI quattro	272PS	7 speed S tronic	142	£52,730.00	£53,560.00
3.0 BiTDI quattro	320PS	8 speed tiptronic	167	£56,250.00	£57,230.00

The pricing and information on this page is relevant for new factory orders only and is correct at time of publication. Please confirm with your Audi Centre the exact pricing and technical data for your model.

*CO₂ emissions can change if a different size alloy is ordered onto the vehicle. This may also lead to a change to the VED amount payable. Please refer to pages 56,57,75,76 and 81 for more information. Values based on standard EU test figures for comparative purposes and may not reflect real driving results.

Please note: The maximum power output figures are quoted in PS (or Pferdestärke, which is the metric equivalent of brake horsepower). To convert to brake horsepower, divide the PS figure by 1.0139.

A7 Black Edition

Engines	Power	Transmissions	CO ₂ g/km*	Total RRP inc VAT [^]	Recommended OTR [†]
3.0 TFSI quattro	333PS	7 speed S tronic	182	£54,860.00	£55,895.00
3.0 TDI quattro	218PS	7 speed S tronic	137	£52,500.00	£53,315.00
3.0 TDI quattro	272PS	7 speed S tronic	142	£55,080.00	£55,910.00
3.0 BiTDI quattro	320PS	8 speed tiptronic	167	£58,600.00	£59,580.00

S7 Sportback

Engine	Power	Transmission	CO ₂ g/km*	Total RRP inc VAT [^]	Recommended OTR [†]
4.0 TFSI quattro	450PS	7 speed S tronic	220	£62,595.00	£63,920.00

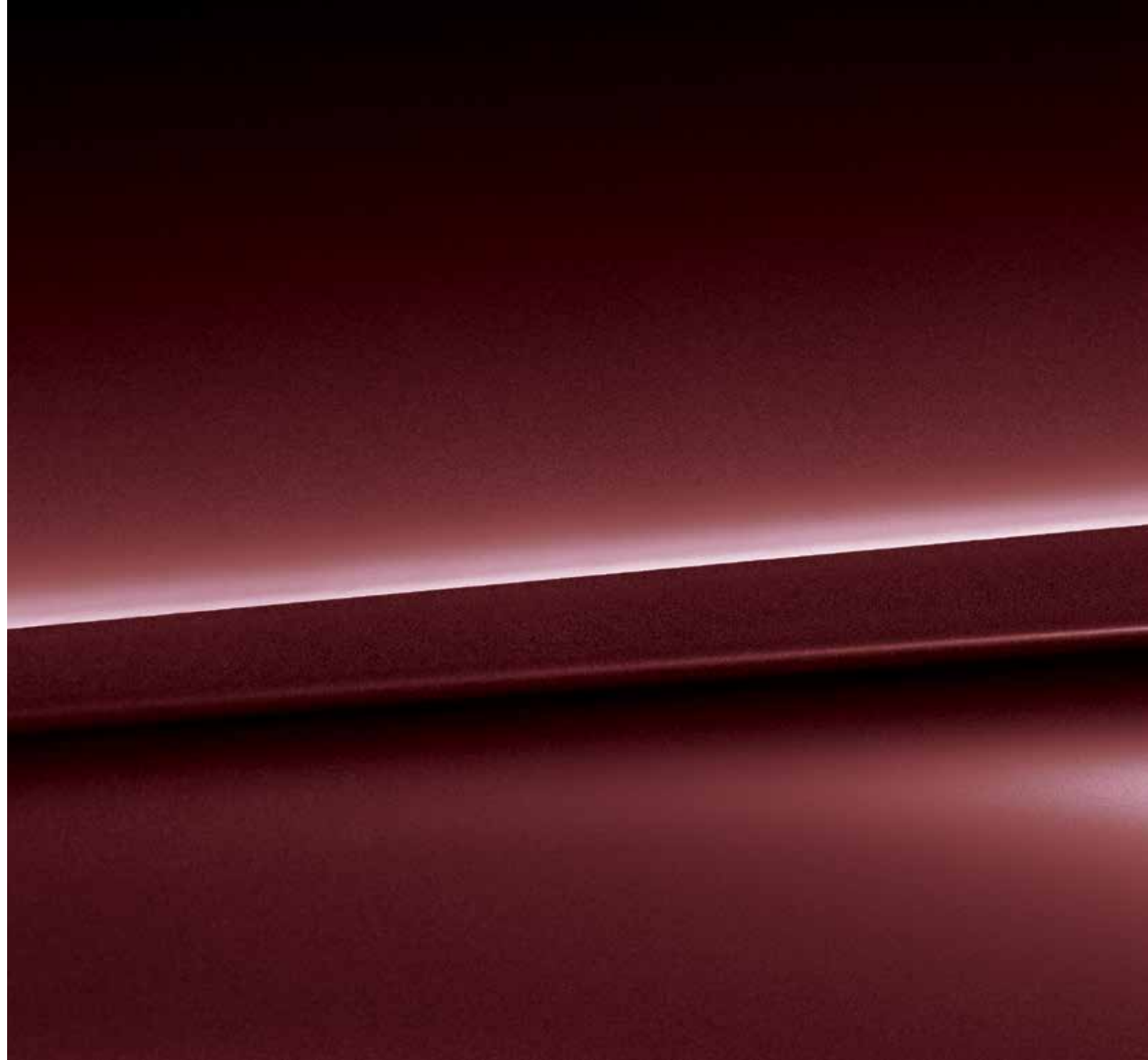
[^]Total RRP inc VAT - Recommended Retail Price including VAT which is calculated at 20%. This may alter to reflect any change in the applicable VAT rate.

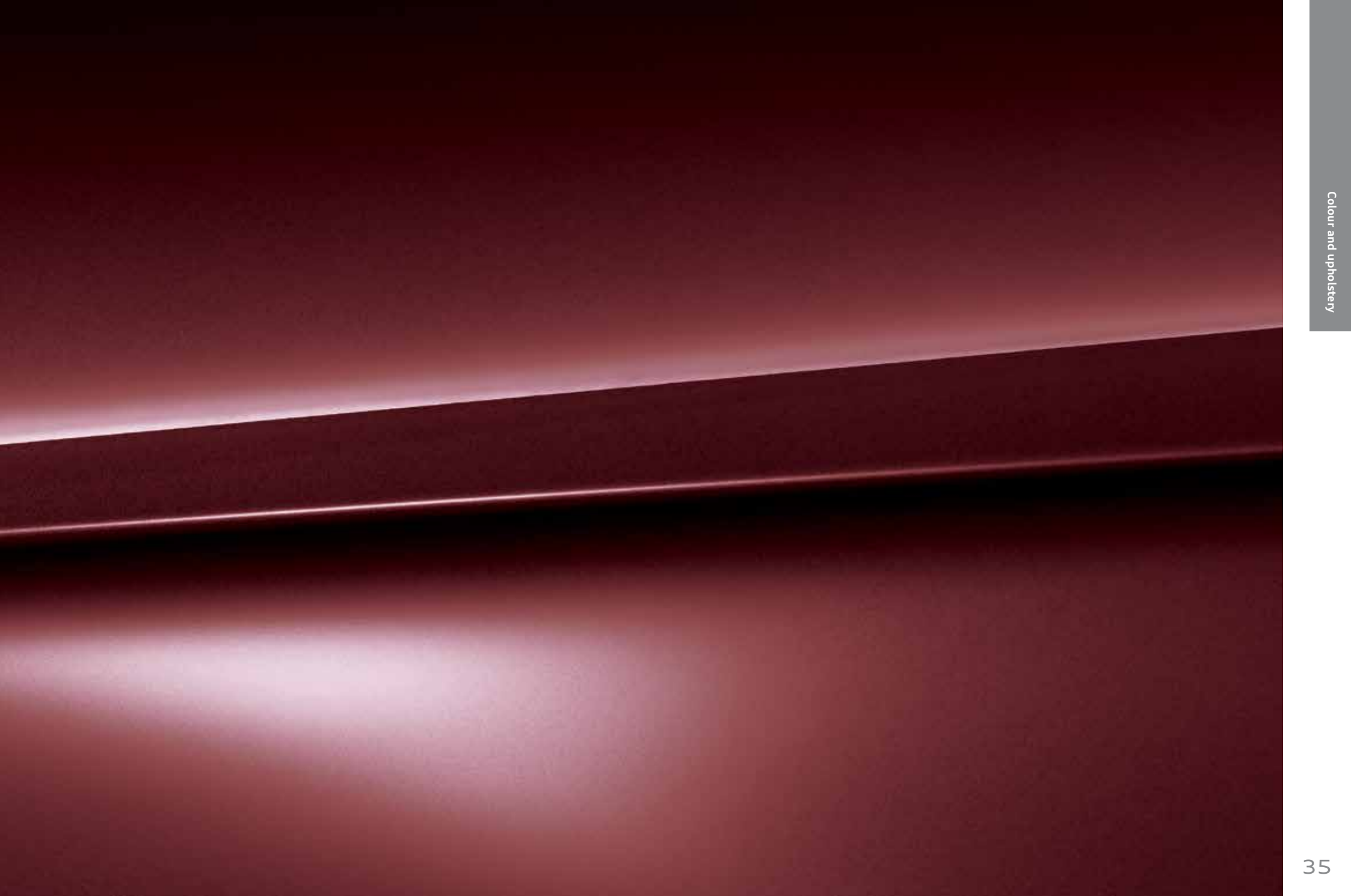
[†]Recommended On-The-Road (OTR) retail prices include: delivery charge, half a tank of fuel, number plates at £630.00 (inc. VAT), Road Fund Licence (which may vary depending on model/transmission - see page 83 for details) and first registration fee at £55.00. Vehicle Excise Duty correct at time of going to print, but this may alter to reflect any change in the applicable VED rate.



Paint

We believe that every part of your car should have a personal touch. Which is why you can choose from a wide range of paint colours, from solid paint to metallic and pearl effect finishes.





Paint

You can select one of the standard colours shown opposite or, for a different look, choose from a range of optional finishes.

Options are subject to availability and may extend time taken for delivery.

*Not available on S7

All the colour swatches on this page are matched as accurately as possible to the actual paint colours used. However, due to print processes, Audi UK cannot guarantee that colours shown are 100% accurate.

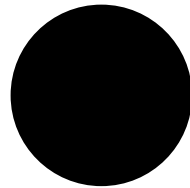
Visit your local Audi Centre for a more accurate colour swatch.

*Total RRP inc VAT – Recommended Retail Price including VAT which is calculated at 20%. This may alter to reflect any change in the applicable VAT rate.

Standard colours

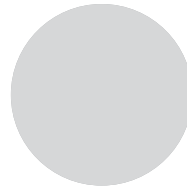


Ibis white – T9

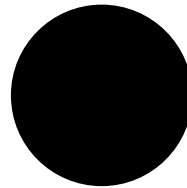


Brilliant black – A2

Optional colours



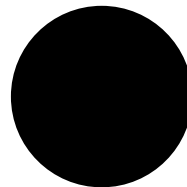
Floret silver, metallic – L5



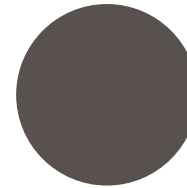
Havana black, metallic – 4J



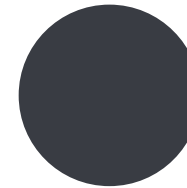
Glacier white, metallic – 2Y



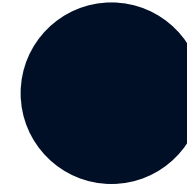
Mythos black, metallic – 0E



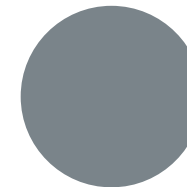
Dakota grey, metallic – Y7*



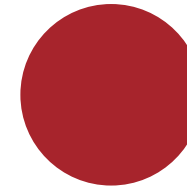
Oolong grey, metallic – 4N



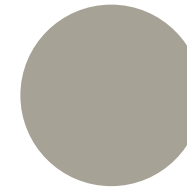
Moonlight blue, metallic – W1



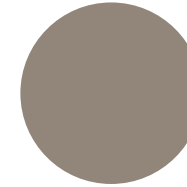
Tornado grey, metallic – Q2



Garnet red, pearl effect – 9C*

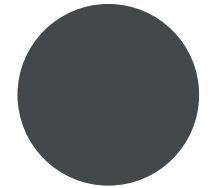


Cuvée silver, metallic – 0D*

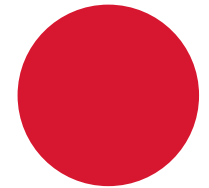


Diamond beige, metallic – N3*

S line colours



Daytona grey, pearl effect – 6Y

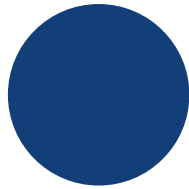


Misano red, pearl effect – N9

Optional colours

Total RRP inc VAT*
£675.00

S7 colour

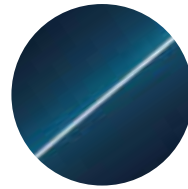


Sepang blue, pearl effect – E9

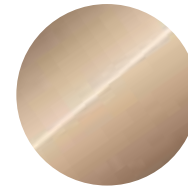
Paint

Audi exclusive

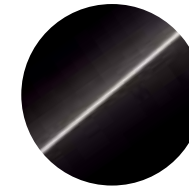
Everyone has a favourite colour. No matter what yours is, Audi exclusive provides a range of unique colours that have been designed to set your car apart. Choose from the swatches here, or specify any other paint colour in the Audi range.*



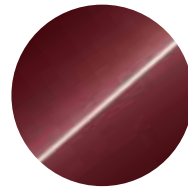
Palace blue, pearl effect



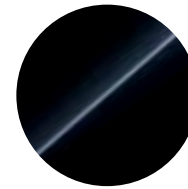
Sand beige, pearl effect



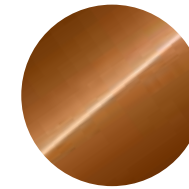
Saddle brown, pearl effect



Classic red, pearl effect



Mamba black, metallic



Ipanema brown, metallic

Customised

If you have a particular colour in mind, we'll mix the exact metallic or pearl-effect shade you want.**



Any colour in the Audi range or 100 exclusive colours to choose from*



Customised paint**

Options are subject to availability and may extend time taken for delivery.

*Audi exclusive paint is subject to factory approval. Visit your local Audi Centre for colour samples.

**Customised paint is subject to factory approval, and is available for metallic and pearl-effect water-based paints only. Three-colour process colours and two-tone schemes are not available.

All the colour swatches on this page are matched as accurately as possible to the actual paint colours used. However, due to print processes, Audi UK cannot guarantee that colours shown are 100% accurate.

Visit your local Audi Centre for a more accurate colour swatch.

*Total RRP inc VAT – Recommended Retail Price including VAT which is calculated at 20%. This may alter to reflect any change in the applicable VAT rate.

Audi exclusive*

Total RRP inc VAT[†]
£2,155.00

Customised**

Total RRP inc VAT[†]
£2,655.00

Upholstery

It's important to feel comfortable on the road. Just choose from our range of luxury upholstery materials and textures, including additional support and colour options, for complete relaxation while you drive.





Upholstery

Standard seats

Choose from the swatches shown opposite to give your car's interior the look and feel you want.

Milano leather
– N5W



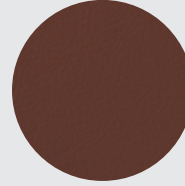
Black – FZ



Flint grey – IX



Atlas beige – IV/IY/IZ



Nougat brown – VB

A7 SE Executive	A7 S line	A7 Black Edition	S7	Total RRP inc VAT*
S	–	–	–	£0.00

Options are subject to availability and may extend time taken for delivery.

- = Not available
- = Available
- S = Standard

All the colour swatches on this page are matched as accurately as possible to the actual upholstery colours used. However, due to print processes, Audi UK cannot guarantee that colours shown are 100% accurate.

*The image illustrates the seat with manual controls. For colour choices please refer to the swatches.

All leather upholstery choices include seats, head restraints and front centre armrest in leather.

*Total RRP inc VAT – Recommended Retail Price including VAT which is calculated at 20%. This may alter to reflect any change in the applicable VAT rate.


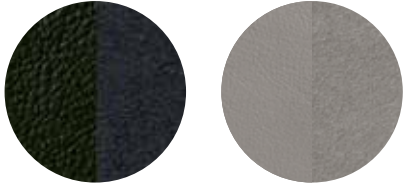


Standard seat*

Upholstery

Front Sport seats – PS1

Front Sport seats include 4-way lumbar support.

	A7 SE Executive	A7 S line	A7 Black Edition	S7	Total RRP inc VAT*
Valcona leather – N5D  <p>Black - FZ Nougat brown - VB Flint grey - IX</p>	•	–	–	–	£1,165.00
Leather/Alcantara – N7U  <p>Black - FZ Flint grey - IX</p>	•	–	–	–	£665.00

Options are subject to availability and may extend time taken for delivery.

- = Not available
- = Available
- S = Standard

All the colour swatches on this page are matched as accurately as possible to the actual upholstery colours used. However, due to print processes, Audi UK cannot guarantee that colours shown are 100% accurate.

*The image illustrates the seat with manual controls. For colour choices please refer to the swatches.

All leather upholstery choices include seats, head restraints and front centre armrest in leather. Leather/Alcantara choices include head restraints, seat-side bolsters and front centre armrest in leather with the seat centres in Alcantara.

*The image illustrates the seat with manual controls. For colour choices please refer to the swatches.

*Total RRP inc VAT – Recommended Retail Price including VAT which is calculated at 20%. This may alter to reflect any change in the applicable VAT rate.



Front Sport seat*

Upholstery

Comfort seats – PS8

18-way adjustable seats with memory function for both front seats and mirrors. Electric adjustment of seat forwards and backwards position, cushion angle, height, thigh support and backrest angle. Manual adjustment of seat belt height and head rest height and proximity. Pneumatic adjustment of bolsters (on backrest and seat cushion) and lumbar support. If selected on S7, Comfort seats will come in a four seat configuration.

Options are subject to availability and may extend time taken for delivery.

- = Not available
- = Available
- S = Standard

All the colour swatches on this page are matched as accurately as possible to the actual upholstery colours used. However, due to print processes, Audi UK cannot guarantee that colours shown are 100% accurate.

All leather upholstery choices include seats, head restraints and front centre armrest in leather.

Comfort seats on S7 must be ordered with 2 rear seat configuration visually matched to front seats (3NZ).



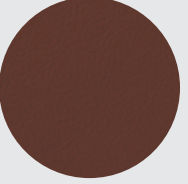
*Not available on S7.

+Only available on S7.

**The image illustrates the seat only. For colour choices please refer to the swatches.

*Total RRP inc VAT – Recommended Retail Price including VAT which is calculated at 20%. This may alter to reflect any change in the applicable VAT rate.

Valcona leather
– N5D

	A7 SE Executive	A7 S line	A7 Black Edition	S7	Total RRP inc VAT ⁺
	•	-	-	-	£1,800.00
	-	-	-	-	
	-	-	-	-	
	-	-	-	•	£0.00



Comfort seat**

Upholstery

S line Sport seats

Front S line electrically adjustable Sport seats including 4-way electrical lumbar adjustment and memory function for driver's side. Front seats with S line logo. If you select Perforated leather/Alcantara, this comes with Black/Jet grey stitching on seats, steering wheel, gear lever gaiter and floor mats.

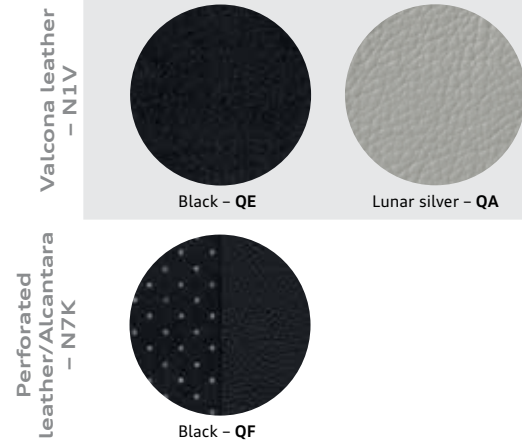
Options are subject to availability and may extend time taken for delivery.

- = Not available
- = Available
- S = Standard

All the colour swatches on this page are matched as accurately as possible to the actual upholstery colours used. However, due to print processes, Audi UK cannot guarantee that colours shown are 100% accurate.

All leather upholstery choices include seats, head restraints and front centre armrest in leather. Leather/Alcantara choices include head restraints, seat side bolsters and front centre armrest in leather with the seat centres in Alcantara.

*Total RRP inc VAT - Recommended Retail Price including VAT which is calculated at 20%. This may alter to reflect any change in the applicable VAT rate.



A7 SE Executive	A7 S line	A7 Black Edition	S7	Total RRP inc VAT*
-	S	S	-	£0.00
-	•	•	-	£0.00

Upholstery

S Super Sport seats – PS6

Front S Super Sport seats are electrically adjustable with driver's side memory, and include electric 4-way lumbar support. Key features include extra lateral support, integrated head restraints and extendable thigh support. S Super Sport seats only come in a four seat configuration.

Options are subject to availability and may extend time taken for delivery.

- = Not available
- = Available
- S = Standard

All the colour swatches on this page are matched as accurately as possible to the actual upholstery colours used. However, due to print processes, Audi UK cannot guarantee that colours shown are 100% accurate.

All leather upholstery choices include seats, head restraints and front centre armrest in leather. Leather/Alcantara choices include head restraints, seat side bolsters and front centre armrest in leather with the seat centres in Alcantara.

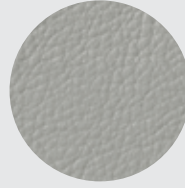
*S Super Sport seats are only available in a four seat configuration.

*Total RRP inc VAT – Recommended Retail Price including VAT which is calculated at 20%. This may alter to reflect any change in the applicable VAT rate.

Valcona leather
– N1V



Black – QE*



Lunar silver – QA*

A7 SE Executive	A7 S line	A7 Black Edition	S7	Total RRP inc VAT [†]
-	•	•	-	£1,000.00

Upholstery

S Super Sport seats – Q4Q

Front S Super Sport seats are electrically adjustable with driver's side memory, and include electric 4-way lumbar support. Key features include extra lateral support, integrated head restraints and extendable thigh support. S Super Sport seats only come in a four seat configuration.

Options are subject to availability and may extend time taken for delivery.

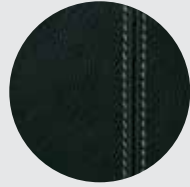
- = Not available
- = Available
- S = Standard

All the colour swatches on this page are matched as accurately as possible to the actual upholstery colours used. However, due to print processes, Audi UK cannot guarantee that colours shown are 100% accurate.

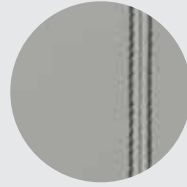
All leather upholstery choices include seats, head restraints and front centre armrest in leather. Leather/Alcantara choices include head restraints, seat side bolsters and front centre armrest in leather with the seat centres in Alcantara.

*Total RRP inc VAT – Recommended Retail Price including VAT which is calculated at 20%. This may alter to reflect any change in the applicable VAT rate.

Valcona leather
S-embossed
– NOK



Black – IM

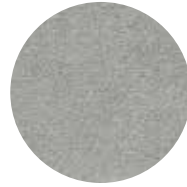


Lunar silver – IL

Leather/Alcantara
S-embossed
– N7N



Black – SX



Lunar silver – IN



S Super Sport seat

	A7 SE Executive	A7 S line	A7 Black Edition	S7	Total RRP inc VAT*
Valcona leather S-embossed – NOK	-	-	-	S	£0.00
Leather/Alcantara S-embossed – N7N	-	-	-	•	£0.00

Upholstery

Seat options

Order Code		A7 SE Executive	A7 S line	A7 Black Edition	S7	Total RRP inc VAT*
4A4	Front and rear heated seats	●	●	●	●	£340.00
4D3	Seat ventilation for front seats. 3 different intensities of cool air are drawn through the seat (for Comfort seats) or a fan (for Standard seats). Provides active ventilation of the seat centre section and thigh support. To allow for the seat ventilation, the leather of the seat front is perforated. Not available in combination with Front Sport seats (PS1). On S7 only in combination with Comfort seats (PS8)	●	–	–	●	£840.00
4D8	Massage and seat ventilation for front seats. Massage function with 5 different programmes (wave, pulse, stretch, lumbar, shoulders) and 4 levels of intensity for massaging the muscles using 10 pneumatic cushions. 3 different intensities of cool air are drawn through the seat for active ventilation of the seat centre section and thigh support. To allow for the seat ventilation, the leather of the seat front is perforated. Only in combination with Comfort seats (PS8)	●	–	–	●	£1,600.00

Options are subject to availability and may extend time taken for delivery.

- = Not available
- = Available
- S = Standard

*Total RRP inc VAT – Recommended Retail Price including VAT which is calculated at 20%. This may alter to reflect any change in the applicable VAT rate.



Colour and trim guide

Interior trim colours

Standard seats

To help you choose the right interior for your new A7 Sportback, please use this guide, showing the carpet, dashboard and headlining colours that have been matched to your chosen upholstery. For pricing information please see pages 40-45.

Sport seats

Comfort seats

Options are subject to availability and may extend time taken for delivery.

- = Not available
● = Available
S = Standard

*Available on S7 only.

Order Code	Upholstery	Carpet	Dashboard (upper/lower)	Headlining	Milano leather (N5W)
FZ	Black	Black	Black/Black	Lunar silver	●
VB	Nougat brown	Black	Black/Black	Lunar silver	●
IV	Atlas beige	Black	Black/Black	Atlas beige	●
IX	Flint grey	Granite grey	Granite grey/Flint grey	Lunar silver	●
IY	Atlas beige	Moor brown	Moor brown/Atlas beige	Atlas beige	●
IZ	Atlas beige	Atlas beige	Moor brown/Atlas beige	Atlas beige	●

Order Code	Upholstery	Carpet	Dashboard (upper/lower)	Headlining	Valcona leather (N5D)	Alcantara/Leather (N7U)
FZ	Black	Black	Black/Black	Lunar silver	●	●
VB	Nougat brown	Black	Black/Black	Lunar silver	●	—
IX	Flint grey	Granite grey	Granite grey/Flint grey	Lunar silver	●	●

Order Code	Upholstery	Carpet	Dashboard (upper/lower)	Headlining	Valcona leather (N5D)
FZ	Black	Black	Black/Black	Lunar silver	●
VB	Nougat brown	Black	Black/Black	Lunar silver	●
IV	Atlas beige	Black	Black/Black	Atlas beige	●
IX	Flint grey	Granite grey	Granite grey/Flint grey	Lunar silver	●
IY	Atlas beige	Moor brown	Moor brown/Atlas beige	Atlas beige	●
IZ	Atlas beige	Atlas beige	Moor brown/Atlas beige	Atlas beige	●
SX*	Black	Black	Black/Black	Lunar silver	●

Colour and trim guide

Interior trim colours

S line Sport seats

Order Code	Upholstery	Carpet	Dashboard (upper/lower)	Headlining	Valcona leather (N1V)	Alcantara/Leather (N7K)
QA (Dark silver stitching)	Lunar silver	Black	Black/Black	Black	●	—
QE (Black stitching)	Black	Black	Black/Black	Black	●	—
QF (Silver stitching)	Black	Black	Black/Black	Black	—	●

S Super Sport seats – PS6

Order Code	Upholstery (seat centre/ seat bolster)	Carpet	Dashboard (upper/lower)	Headlining	Valcona leather (N1V)
QE (Black stitching)	Black/Black	Black	Black	Black	●
QA (Dark silver stitching)	Lunar silver/Lunar silver	Black	Black/Black	Black	●

S Super Sport seats with S7 embossed logo

Order Code	Upholstery	Carpet	Dashboard (upper/lower)	Headlining	Valcona leather (N0K)	Alcantara/Leather (N7N)
SX	Black	Black	Black/Black	Lunar silver	—	●
IM (Dark silver stitching)	Black	Black	Black/Black	Lunar silver	●	—
IN	Lunar silver	Black	Black/Black	Lunar silver	—	●
IL (Graphite grey stitching)	Lunar silver	Black	Black/Black	Lunar silver	●	—

Options are subject to availability and may extend time taken for delivery.

- = Not available
- = Available
- S = Standard

Inlays

Attention to detail can make a big impact. From contemporary black Piano finish to a dark brown walnut, our selection of inlays make the perfect finishing touch to your car's interior.





Inlays

Inlays are the all-important finishing touch that add flair and interest to your car's interior.

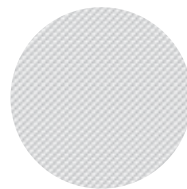
Order Code		A7 SE Executive	A7 S line	A7 Black Edition	S7	Total RRP inc VAT*
7TH	Aluminium delta	S	-	-	-	£0.00
5TG	Matt-brushed aluminium	-	S	-	-	£0.00
5TL	Piano finish, black. Covers centre console, door trims and the continuous inlay seam, with aluminium-look edging	•	•	S	-	£700.00
		-	-	-	•	£250.00
5MK	Carbon atlas. Covers centre console, door trims and the continuous inlay seam, with aluminium-look edging	-	-	-	S	£0.00
5MG	Walnut, dark brown. Covers centre console, door trims and the continuous inlay seam, with aluminium-look edging	•	-	-	-	£385.00
7TD	Beaufort walnut. Covers centre console, door trims and the continuous inlay seam, with aluminium-look edging	•	-	-	-	£650.00
7TL	Fine grain ash, natural brown. Covers centre console, door trims and the continuous inlay seam, with aluminium-look edging	•	•	-	-	£385.00
		-	-	-	•	£0.00
		-	•	-	-	£2,400.00
5TB	Aluminium, beaufort black. Covers centre console, door trims and the continuous inlay seam, with aluminium-look edging	-	-	•	-	£2,200.00
		-	-	-	•	£1,800.00

Options are subject to availability and may extend time taken for delivery.

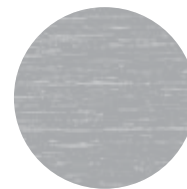
- = Not available
• = Available
S = Standard

All the inlay swatches on this page are matched as accurately as possible to the actual inlays colours used. However, due to print processes, Audi UK cannot guarantee that colours shown are 100% accurate.

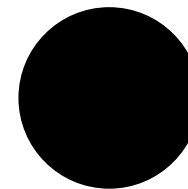
*Total RRP inc VAT – Recommended Retail Price including VAT which is calculated at 20%. This may alter to reflect any change in the applicable VAT rate.



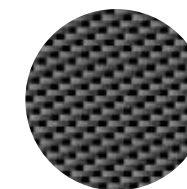
Aluminium delta – 7TH



Matt-brushed aluminium – 5TG



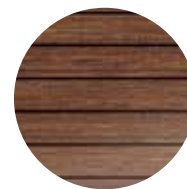
Piano finish, black – 5TL



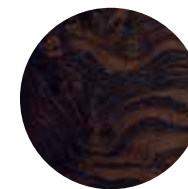
Carbon atlas – 5MK



Walnut, dark brown – 5MG



Beaufort walnut – 7TD



Fine grain ash, natural brown – 7TL



Aluminium, beaufort black – 5TB

Inlays

Audi exclusive

Audi exclusive offers an alternative range of materials which you can select for your inlays, from Fine grain ash nougat to Oak sepia.

Order Code		A7 SE Executive	A7 S line	A7 Black Edition	S7	Total RRP inc VAT*
YTA S3G	Audi exclusive inlays. Cannot be combined with inlays shown on page 52	•	•	•	•	£1,365.00



Fine grain ash, nougat



Fine grain myrtle, nutmeg



Modrone wood, gold



Vavona wood, bronze



Tamo ash, dark brown



Oak, sepia

Options are subject to availability and may extend time taken for delivery.

- = Not available
- = Available
- S = Standard

All the inlay swatches on this page are matched as accurately as possible to the actual inlay colours used. However, due to print processes, Audi UK cannot guarantee that colours shown are 100% accurate.

*Total RRP inc VAT – Recommended Retail Price including VAT which is calculated at 20%. This may alter to reflect any change in the applicable VAT rate.



Options

Every driver has different needs, which is why we have developed some useful options to further enhance your car. For extra comfort, support, style or function, you can choose from a variety of additional features, tailoring everything from your infotainment and audio equipment to your wheels and lighting.





Wheels and tyres

Choose a set of specially-selected alloy wheels to subtly enhance the way your car looks.



19" x 8.5J '5-spoke V' design alloy wheels - PRA



19" x 8.5J '10-spoke' design alloy wheels - PRT



19" x 9J '5-V-spoke' design alloy wheels in matt titanium look - PQ6



19" x 9J '7-twin-spoke' design alloy wheels - PQY



20" x 9J '10-spoke Y' design alloy wheels - PQK



20" x 9J '5-spoke W' design contrasting grey alloy wheels - PRD



20" x 9J '5-spoke W' design alloy wheels - PRC



20" x 9J '5-twin-spoke' matt titanium look alloy wheels - PQH



20" x 9J '5-spoke blade' design alloy wheels - PQN

Options are subject to availability and may extend time taken for delivery.

Please note that choosing an optional wheel may affect the fuel consumption figures and the CO₂ emissions on your A7 Sportback. This may result in a change in the subsequent Vehicle Excise Duty payable. Please see page 68 for more details.

All alloy wheel images are matched as accurately as possible to the actual colour. However, due to print processes, Audi UK cannot guarantee that colours shown are 100% accurate.

Wheels and tyres

Order Code		A7 SE Executive	A7 S line	A7 Black Edition	S7	Total RRP inc VAT*
PRV	19" x 8.5J '5-arm Y' design alloy wheels with 255/40 R19 tyres	S	-	-	-	£0.00
PRA	19" x 8.5J '5-spoke V' design alloy wheels with 255/40 R19 tyres	●	-	-	-	£450.00
		-	●	-	-	£0.00
PRT	19" x 8.5J '10-spoke' design alloy wheels with 255/40 R19 tyres	●	-	-	-	£450.00
		-	●	-	-	£0.00
PQ6	19" x 9J '5-V-spoke' design alloy wheels in matt titanium look, gloss turned finish with 255/40 R19 tyres	●	-	-	-	£700.00
		-	●	-	-	£0.00
PQY	19" x 9J '7-twin-spoke' design alloy wheels with 255/40 R19 tyres	-	●	-	-	£0.00
PQG	20" x 9J '5-twin-spoke' design alloy wheels with 265/35 R20 tyres	-	S	-	-	£0.00
PQK	20" x 9J '10-spoke Y' design alloy wheels with 265/35 R20 tyres	●	-	-	-	£1,050.00
		-	●	-	-	£0.00
PRD	20" x 9J '5-spoke W' design alloy wheels contrasting grey, partly polished with 265/35 R20 tyres	●	-	-	-	£1,000.00
		-	●	-	-	£0.00
PRC	20" x 9J '5-spoke W' design alloy wheels with 265/35 R20 tyres	●	-	-	-	£850.00
		-	●	-	-	£0.00
PQ3	21" x 9J '5-arm Rotor' design matt titanium look alloy wheels with 275/30 R21 tyres	-	-	S	-	£0.00
PRJ	20" x 9J '5-parallel spoke Star' design alloy wheels with 265/35 R20 tyres	-	-	-	S	£0.00
PQH	20" x 9J '5-twin-spoke' matt titanium look alloy wheels, gloss turned finish with 265/35 R20 tyres	-	●	●	●	£0.00
PQN	20" x 9J '5-spoke-blade' design alloy wheels with 265/35 R20 tyres	-	●	●	●	£0.00

Options are subject to availability and may extend time taken for delivery.

- = Not available
- = Available
- S = Standard

Please note that the size of your chosen A7 Sportback wheel may affect the fuel consumption figures and the CO₂ emissions. This may result in a change in subsequent Vehicle Excise Duty payable. Please see pages 75,76 and 81.

*Total RRP inc VAT – Recommended Retail Price including VAT which is calculated at 20%. This may alter to reflect any change in the applicable VAT rate.

Suspension

Order Code		A7 SE Executive	A7 S line	A7 Black Edition	S7	Total RRP inc VAT*
1BA	Dynamic Suspension	S	●	—	—	£0.00
1BE	Sport suspension lowered by 10mm with more firmly tuned springs and dampers. On S line this suspension is de-selectable as a no cost option	●	S	—	—	£410.00
1BV	S line Sport suspension with more dynamic suspension tuning and vehicle lowered by 10mm (over Sport suspension 1BE)	—	●	S	—	£0.00
1BK	Adaptive air suspension. Electronically controlled air suspension with variable adaptive damping system on all 4 wheels, which automatically regulates vehicle ride height and damping, including ride height control. Different modes (Comfort, Dynamic, Auto and additional 'Lift' function for increased ground clearance) selected via Audi Drive Select	●	●	●	—	£2,000.00
GH2	quattro with Sport differential. The electronically regulated Sport differential distributes variable amounts of driving force to each rear wheel, improving stability and agility especially when cornering. It ensures better direct steering characteristics and thanks to less steering effort, more agile handling. Not available on 3.0 TDI ultra 218PS engine	●	●	●	S	£1,100.00
1N8	Dynamic steering. With this technology, driving is significantly more agile under everyday conditions, while directional stability and precision are increased at high speeds and in demanding driving situations	●	●	●	●	£1,210.00

Options are subject to availability and may extend time taken for delivery.

- = Not available
- = Available
- S = Standard

*Total RRP inc VAT - Recommended Retail Price including VAT which is calculated at 20%. This may alter to reflect any change in the applicable VAT rate.



Packages

Some items work well together, which is why we've created these special packages.

Vehicle driver assistance and safety systems are not a substitute for attentive driving. Drivers retain full responsibility for providing the necessary inputs for safe control of the vehicle. System descriptions within this brochure are provided for information purposes only. System limitations and operational requirements apply. See manual for details.

Options are subject to availability and may extend time taken for delivery.

- = Not available
- = Available
- S = Standard

*Where the law permits.

*Total RRP inc VAT - Recommended Retail Price including VAT which is calculated at 20%. This may alter to reflect any change in the applicable VAT rate.

Order Code		A7 SE Executive	A7 S line	A7 Black Edition	S7	Total RRP inc VAT [†]
WB4	<p>Technology Pack. Featuring A7's top-of-the-range navigation and connectivity systems</p> <p>MMI Navigation Plus with MMI Touch. Includes HDD-based navigation with topographical map display, places of interest and town models in 3D. Destinations can be entered via the speech dialogue system or MMI touch. Also includes 8" display, DVD player and 2 SDXC memory card readers</p> <p>Head-up display. Projects driving-related information directly into the driver's field of vision using an optical system of mirrors</p> <p>Audi Connect. Audi Connect provides access to a number of innovative online services including: navigation using Google Earth™ images and Google Street View™, destination entry via Google Maps™ or myAudi, online point of interest search and information services such as weather forecasts and the latest world news. Audi Connect can also create a Wi-Fi hotspot in the car for convenient internet access using a mobile device (e.g. laptop or tablet). Please see pages 23 and 75 for more information on this option including functionality and compatibility details</p> <p>Important connectivity information. An external data source is required to enable the Audi Connect Online Services. A separate SIM card can be inserted in the SIM card reader</p> <p>Audi Phone Box. Enables drivers to use their mobile phone in the car by placing it in the storage compartment provided in the front centre console to create a wireless connection to the vehicle aerial, improving reception quality (subject to network coverage). Operated via the MMI control panel, the multi-function steering wheel or the voice control system. Charging available via USB port. Audi Phone Box option also provides an additional Bluetooth interface for a second device, meaning two mobile phones can be connected to the vehicle simultaneously. For mobile phone and software version compatibility, please visit your Audi Centre or audi.co.uk/phonecompatibility</p>	•	•	•	•	£2,345.00
WB7 PCN	<p>Technology Pack Advanced. Features all the content of the Technology Pack plus:</p> <p>Audi Adaptive Cruise Control with Stop&Go function including Pre-sense front. Automatic distance regulation, using radar sensors to maintain the required distance between vehicles by braking and accelerating. Works at speeds between 0 and 150mph.* Also includes Audi braking guard – a system which triggers a visual and acoustic alarm when it detects the risk of a rear end collision with the vehicle in front. In addition, the airbags are preconditioned if a crash is sensed, the system then prepares to assist with necessary braking force once the brake pedal is touched</p> <p>Audi Side Assist including Pre-sense rear. Aids the driver when changing lane. The system monitors the area behind the car, using radar sensors located discreetly in the rear bumper, informing the driver with a visual warning signal in the door mirror if there is a vehicle in their blind spot or approaching quickly from behind. In combination with Audi Active Lane Assist there is a noticeable steering intervention before veering out of the lane if a lane change is judged to be hazardous due to an approaching vehicle. The steering intervention only occurs if both systems have been activated and are ready (works at speeds above approximately 37mph)</p> <p>Audi Lane Assist. Helps the driver to stay in lane with gentle steering impulses</p> <p>Exterior mirrors (6XF). Heated, electrically adjustable and electrically folding with automatic kerb view function which tilts the passenger mirror downwards towards the kerb when reverse gear is engaged. Includes memory function.</p> <p>For more details please see pages 19 and 65</p>	•	•	•	•	£3,995.00
WB1 PS8 PGD NSD	<p>Comfort pack. An option pack designed to bring even more luxury to your A7</p> <p>Electrically adjustable Comfort front seats with memory function adjusts 18 different ways and include memory function for both seats and mirrors, so you can return to your preferred position at the touch of a button</p> <p>Advanced key. Leave the car key in your pocket or bag at all times; simply pull the handle to unlock and open your A7, press the exterior button on the handle to lock the vehicle and press the 'Start engine' button to turn on the ignition. Also featured is a hands-free tailgate release sensor located underneath the rear bumper, which can be operated by a simple kicking movement underneath the sensor</p> <p>Reversing camera. Additionally, when reversing, a rear camera provides imagery of the area behind your vehicle on the MMI screen. Also includes steering path</p>	•	–	–	–	£1,750.00
	In combination with Parking Pack (WC9)	•	–	–	–	£1,350.00

Packages

Vehicle driver assistance and safety systems are not a substitute for attentive driving. Drivers retain full responsibility for providing the necessary inputs for safe control of the vehicle. System descriptions within this brochure are provided for information purposes only. System limitations and operational requirements apply. See manual for details.

Options are subject to availability and may extend time taken for delivery.

- = Not available
- = Available
- S = Standard

*Total RRP inc VAT – Recommended Retail Price including VAT which is calculated at 20%. This may alter to reflect any change in the applicable VAT rate.

Order Code	A7 SE Executive	A7 S line	A7 Black Edition	S7	Total RRP inc VAT*
WC9	•	•	•	•	£810.00
WFS	•	•	•	•	£1,110.00

Parking Pack. Enhancing the parking sensors that come as standard, this pack adds a rear view camera to help optimise your view while parking – and can even help you find and manoeuvre into a parking space.
Park assist – Searches for suitable parking spaces along the road by means of ultrasonic sensors, calculates the ideal parking path and performs the steering action virtually automatically. The system can support the driver with:
 - Parallel parking in reverse
 - Exiting a parallel parking space, driving forwards
 - Reverse bay parking
 Steering is done by the vehicle, with the driver responsible for acceleration and application of the brakes.
Audi parking system advanced with reversing camera – an image of the area behind the vehicle is shown on the MMI display, with dynamic display modes showing the calculated path (steer-angle dependent); includes help lines, guidelines and identification of the point at which to apply opposite lock when parallel parking. The reversing camera is concealed in the handle strip of the tailgate

Parking Pack Advanced. Features all the contents of the Parking Pack and adds corner-view camera.
 In addition to the benefits of the parking package, safety and assurance is further enhanced through the use of additional corner-view cameras which support entry and exit from tight spaces. Only in combination with Technology Pack (WB4 or WB7). Not available in combination with Comfort Pack (WB1)



Reversing camera featured in Parking Pack



Park assist featured in Parking Pack and Parking Pack Advanced

Packages

Order Code		A7 SE Executive	A7 S line	A7 Black Edition	S7	Total RRP inc VAT*
	<p>Entertainment Pack: Offers the perfect systems to keep all your passengers happy, however long your journey</p> <p>Digital TV Reception – TV tuner for reception of free-to-air TV channels. Reception dependent on local network availability. Picture display only possible on MMI screen when your A7 is stationary, audio available at all times</p>					
WTG	<p>Rear seat entertainment system includes two separate portable entertainment units, each with a 9" screen* mounted to the back of the front seats. Playback available from a variety of sources including Bluetooth, CD/DVD, SD Card, USB and AV. Carry case, remote control, table-top stand, 2.5 hour battery for external playtime, charging lead and headphones also included. Only in combination with Technology Pack (WB4 or WB7). On S7 only in combination with Comfort seat (PS8). Not available in combination with S Super Sport seats (PS6)</p>	●	●	●	●	£2,020.00
	<p>Convenience Pack: An option pack featuring numerous useful items to make your A7 as practical and functional as possible. The luggage compartment comes with a reversible mat, tie-down straps, a luggage net and a through-load facility for long items – complete with a removable ski/snowboard bag. Includes a blind for the rear window, two drink holders in the rear armrest and two 12-Volt sockets</p>	●	●	●	–	£565.00
WBO		–	–	–	●	£455.00

Options are subject to availability and may extend time taken for delivery.

- = Not available
- = Available
- S = Standard

*Screens must be ordered by your local Audi Centre via Audi Genuine Accessories.

*Total RRP inc VAT – Recommended Retail Price including VAT which is calculated at 20%. This may alter to reflect any change in the applicable VAT rate.



Audi entertainment mobile featured in Entertainment Pack



Through-load facility with removable ski/snowboard bag featured in Convenience Pack

Headlights

Order Code		A7 SE Executive	A7 S line	A7 Black Edition	S7	Total RRP inc VAT*
8G1	High-beam assist. Variable headlight range control featuring a camera on the interior mirror which registers sources of light from other road users. The range and width of the headlight beam are continuously varied between dipped and main beam to suit ambient conditions, ensuring that the headlights provide good visibility without dazzling other road users. Not available in combination with Matrix LED headlights (PXC)	●	—	—	●	£140.00
PXC	Audi Matrix LED headlights. A direct evolution of Audi's LED headlights, Audi Matrix technology provides maximum and precise illumination at all times without dazzling other road users. The vehicle uses information obtained from multiple sources including the interior mirror camera and navigation system to identify the appropriate lighting required. Using GPS data, the vehicle will use high beam, but will automatically switch to dipped lighting when entering built up areas, whilst high beam is in use, and oncoming traffic is detected, the Matrix beam dips or fully extinguishes individual lighting diodes. Matrix beam is capable of establishing and tracking multiple road users and illuminating the appropriate corridors of lights either side of them to maintain maximum visibility of the road and surrounding environment without causing disruption to other drivers. Matrix beam technology includes dynamic front indicators which sweep from inside to out. This helps to clearly identify not only that the vehicle is turning, but in which direction – increasing road safety as it is easier for other road users to determine which way cars are moving in a shorter amount of time	●	S	S	●	£945.00

Options are subject to availability and may extend time taken for delivery.

- = Not available
- = Available
- S = Standard

*Total RRP inc VAT – Recommended Retail Price including VAT which is calculated at 20%. This may alter to reflect any change in the applicable VAT rate.



High-beam assist



Audi Matrix LED headlights

Interior equipment

Specify every detail of your car's interior with this range of options.

Order Code		A7 SE Executive	A7 S line	A7 Black Edition	S7	Total RRP inc VAT [†]
QQ1	Lighting package. Interior includes entrance lighting and LED lighting for front footwell, inside door handles, vanity mirror lights and centre console storage compartment. Also includes ambient lighting for the centre console and ambient reflected light for interior door trim. Exterior includes courtesy lighting under the door handles and LED-illuminated handle recess for easy entry in the dark (automatically activated when the doors are unlocked)	●	●	●	S	£250.00
QQ2	Ambient lighting. In addition to interior and exterior lighting package (QQ1), anti-glare illumination for the passenger compartment with LED technology. Lighting for door pockets, footwells and inside door handles, reflected lighting for centre console and door inner panels to help occupants find their way around. Surround lighting for centre console (floating effect), make-up lights at front and active door reflectors, with illuminated door sill trims (please note this will delete S line or S7 logo). Configured via MMI System	●	●	●	—	£550.00
		—	—	—	●	£300.00
2C7	Electrically adjustable steering column. Adjustable for height and reach with auto easy-entry and exit function	●	●	●	●	£400.00
6NQ	Cloth headlining – black. On SE Executive trim, only available in combination with interior colours FZ, IV and VB	●	S	S	—	£250.00
		—	—	—	●	£0.00
7HB	Extended leather Package with lower part of centre console, armrests in the doors and door-pull handles in leather. Only in combination with Milano leather	●	—	—	—	£515.00
7HE	Leather covered door armrests. Only in combination with Valcona leather	●	●	●	●	£335.00
1XT	3-spoke leather-trimmed multi-function Sport steering wheel – heated and with paddles	●	●	●	●	£200.00
2PK	3-spoke leather-trimmed multi-function flat-bottomed Sport steering wheel – with paddles	—	—	—	●	£200.00
1T3	First aid kit in the storage compartment of the rear centre armrest	●	●	●	S	£30.00

Options are subject to availability and may extend time taken for delivery.

— = Not available
● = Available
S = Standard

[†]Total RRP inc VAT – Recommended Retail Price including VAT which is calculated at 20%. This may alter to reflect any change in the applicable VAT rate.

Exterior equipment

Make sure your car looks exactly as you want it to by selecting some of our striking options.

Order Code		A7 SE Executive	A7 S line	A7 Black Edition	S7	Total RRP inc VAT*
6XF	Exterior mirrors – heated, electrically adjustable and folding, with automatic kerb view function which tilts the passenger mirror downwards towards the kerb when reverse gear is engaged. Includes memory function	●	●	●	●	£235.00
	In combination with Technology Pack Advanced (WB7)	●	●	●	●	£0.00
6XL	Exterior mirrors – heated, electrically adjustable, electrically folding and auto-dimming, with automatic kerb view function which tilts the passenger mirror downwards towards the kerb when reverse gear is engaged. Includes memory function	●	●	●	●	£515.00
	In combination with Technology Pack Advanced (WB7)	●	●	●	●	£280.00
VW4	Privacy glass. Dark tinted rear and rear-side windows (from B-pillar backwards) - Windscreen in heat/sound insulating glass - Front side windows in standard glass (single-layer safety glass) - Rear side windows in standard glass (single-layer safety glass) with privacy glass - Rear window in standard glass (single-layer safety glass) with privacy glass	●	●	S	●	£390.00
3FE	Slide-and-tilt sunroof with tinted single-glazed safety glass and adjustable sun shield, integral wind deflector, and convenient closing from outside via the central locking and the radio-operated remote control	●	●	●	●	£990.00
1D4	Towing bar. Ball head and ball joint coupling made from forged steel. Mechanically swivelling ball head, operated via Bowden cable, with indicator light on Bowden cable and display in instrument cluster to monitor secure attachment of trailer towing hitch. Includes trailer stabilisation system via the Electronic Stability Control (ESC). Includes single European 13-pin electric socket and may require a 13- to 7-pin adaptor. Please consult your Audi Centre for details*	●	●	●	●	£1,025.00
4ZD	Black styling package. Includes radiator grille frame and radiator grille struts in high-gloss black, radar sensor surrounds (if fitted) in the side ventilation grille in high-gloss black, radiator grille in matt black, front side grilles in matt black, number plate holder in matt black, window capping strips and side profile roof trim strip in high-gloss black	●	●	S	–	£625.00
2Z0	Deletion of model and technology designation at rear	●	●	●	●	£0.00
2Z7	Deletion of technology designation at the rear	●	●	●	–	£0.00
GZ2	Power door closure. Automatically pulls doors that are not completely engaged into the lock	●	●	●	●	£525.00

Options are subject to availability and may extend time taken for delivery.

- = Not available
- = Available
- S = Standard

*Additional wiring is required for auxiliary equipment.

*Total RRP inc VAT – Recommended Retail Price including VAT which is calculated at 20%. This may alter to reflect any change in the applicable VAT rate.

Audio and communication

Give each journey its own soundtrack with our advanced audio equipment.

Options are subject to availability and may extend time taken for delivery.

- = Not available
- = Available
- S = Standard

*Total RRP inc VAT – Recommended Retail Price including VAT which is calculated at 20%. This may alter to reflect any change in the applicable VAT rate.

Order Code	A7 SE Executive	A7 S line	A7 Black Edition	S7	Total RRP inc VAT*
BOSE® surround sound - 14 speakers including centre speaker in the dashboard and subwoofer in the spare wheel well - 12-channel amplifier with a total output of over 600 watts 8RY - Acoustics specially tuned to the interior - Surround sound 5.1 reproduction (in conjunction with MMI Navigation Plus) and stereo recordings (CD, radio, MP3) - Audiopilot for noise-compensating volume adjustment - Powerful, precise bass reproduction	•	•	S	•	£1,000.00
Bang & Olufsen Advanced sound system - 15 speakers including subwoofer and centre speaker, each with their own amplifier channel for genuine 5.1 surround sound - 10-channel Digital Sound Processing (DSP) full-digital amplifier with a total output of over 1,200 watts, fully digitised and highly efficient 5-channel ICEPower amplifier for woofers and subwoofer - When switched on, two acoustic lenses extend from the dashboard for excellent sound rendition and perspective from all seats 8RF - Polished aluminium speaker covers - Acoustics specially tuned to the interior through the targeted use of tweeters, mid-range speakers and woofers - Speakers in encapsulated housings isolate music and telephone conversations within the vehicle for privacy when making phone calls in hands-free mode - Automatic adjustment of volume to the driving situation Only in combination with Technology Pack (WB4 or WB7)	•	•	•	•	£6,300.00
6G2 DVD/CD changer in glove compartment, for 6 DVDs or CDs, supports audio CDs, video DVDs, shock-resistant and easily accessible in the glove compartment. Only in combination with Technology Pack (WB4 or WB7)	•	•	•	•	£640.00



BOSE® surround sound



Bang & Olufsen Advanced sound system

Safety and security

Technology designed to give you better all-round awareness and safety on the road.

Vehicle driver assistance and safety systems are not a substitute for attentive driving. Drivers retain full responsibility for providing the necessary inputs for safe control of the vehicle. System descriptions within this brochure are provided for information purposes only. System limitations and operational requirements apply. See manual for details.

Options are subject to availability and may extend time taken for delivery.

- = Not available
• = Available
S = Standard

*Total RRP inc VAT – Recommended Retail Price including VAT which is calculated at 20%. This may alter to reflect any change in the applicable VAT rate.

Order Code		A7 SE Executive	A7 S line	A7 Black Edition	S7	Total RRP inc VAT*
7W1	Pre-sense basic networks the different vehicle systems, enabling driving situations to be categorised and, where necessary, actions to be implemented to help protect passengers. These include: belt tightening, activating the hazard warning system, closing the windows and the sunroof (if fitted)	•	•	•	•	£260.00
QR9	Speed limit display via the Driver's Information System (DIS). The specific advantages: - Display of the speed limits currently registered, which can be called up in the Driver's Information System at any time - Display can be called up in every instrument cluster view and in the head-up display - Camera-based system is also capable of detecting temporary speed restrictions in roadworks and on digital displays (e.g. over motorways) within the system limits - Display of national speed limits for Western European countries Should the camera fail to see a sign properly, the speed limit from the data for the navigation system will be shown instead. Only in combination with Technology Pack Advanced (WB7/PCN)	•	•	•	•	£250.00
4X4	Rear side airbags. For the outer rear seats, incorporated into the seat backrests. Supplement the side impact protection in the doors and the head airbag system	•	•	•	•	£375.00
PGD	Advanced key. Access and authorisation system that works through automatic data exchange between key and vehicle, allowing the driver to keep their car key in their pocket or bag at all times. To unlock and open, simply lift the exterior door handle. The door is locked by pressing the button on the handle. Pressing the start/stop button integrated in the centre console starts and stops the engine. Also featured is a hands-free tailgate release sensor located underneath the rear bumper, which can be operated by a simple kicking movement underneath the sensor	•	•	•	•	£750.00
9R1	Night vision assistant. Assists the driver when driving at night by displaying a thermal image of the surroundings. People and large wild animals are highlighted in yellow in the colour display of the Driver's Information System. If the system determines from their position that there is a potential risk, the marking changes to red, a warning triangle appears and a warning tone is emitted. Warning can also be shown in the Head-up display, if ordered. In conjunction with High beam assist (8G1) or Audi Matrix LED headlights (PXC), the highlighted person is also illuminated with 3 successive flashes of the headlight. If ordered, system operation may be restricted in too much ambient light, high humidity and high night temperatures (over 28°C)	•	•	•	•	£1,510.00



Night vision assistant



Speed limit display

Looking after your Audi

When you've chosen your ideal model, it's reassuring to know that it will remain in safe hands. That's why we've created products to protect your Audi, from extended warranties to Audi Complete – our comprehensive service and maintenance package. And there's also a range of Audi accessories and merchandise to choose from, enabling you to further enhance and safeguard your car.





Audi Complete

If you drive under 10,000 miles per annum your vehicle will be placed on a Fixed Inspection Service schedule. If your mileage tends to exceed 10,000 miles per annum it will be placed on the Flexible Service schedule.

Warranty

All new Audi models come with a three-year warranty as standard, and you can choose to extend this to a four or five-year warranty* for a one-off cost. What's more, if you decide to sell your Audi before the warranty expires, it will be fully transferred to the new owner.

- = Not available
 ● = Available
 S = Standard

*Three-year warranty consists of a two-year unlimited mileage warranty and a third year warranty with a 60,000-mile limitation. Four-year warranty consists of a two-year unlimited mileage warranty and two further years' coverage with a 75,000-mile limitation. Five-year warranty consists of a two-year unlimited mileage warranty and three further years' coverage with a 90,000-mile limitation.

**Only available before registration of your Audi A7. Please speak to your Audi Centre for full details.

*Total RRP inc VAT – Recommended Retail Price including VAT which is calculated at 20%. This may alter to reflect any change in the applicable VAT rate.

Audi Complete is our fixed-cost maintenance plan, which helps you keep your Audi in top condition and stay in control of your finances. For a simple monthly payment, you could cover your car's servicing, maintenance and, if you want, its tyres too.

So not only will you ensure your car runs smoothly, regular servicing can also protect its future resale value. And because everything's covered by one competitive price, there's no need to go anywhere else.

Pricing is completely tailored to your vehicle and takes into consideration the options you have on your vehicle and your likely annual mileage and resultant service schedule. Please speak to your Audi Centre for a personalised quote for Audi Complete.

Order Code		A7	S7	Total RRP inc VAT ⁺
-	Audi Warranty , covering you for unlimited mileage in the first two years of ownership, and up to 60,000 miles in the third year. Transferable between owners**	S	S	£0.00
EA6	Audi Warranty , covering you for up to 4 years or 75,000 miles, whichever comes soonest. Cover includes a two-year unlimited mileage warranty, and up to 75,000 miles in the third and fourth years. Transferable between owners**	●	●	£730.00
EA9	Audi Warranty , covering you for up to 5 years or 90,000 miles, whichever comes soonest. Cover includes a two-year unlimited mileage warranty, and up to 90,000 miles in the third, fourth and fifth years. Transferable between owners**	●	●	£1,750.00



Accessories

Choosing an Audi isn't just a matter of deciding on the model you want; it's about creating a car that suits your needs perfectly. And that's why we've developed a whole range of optional accessories to enhance your Audi A7, enabling you to customise it down to the last detail. Like your Audi, all these accessories are developed to the highest possible standards. They're all available exclusively from Audi. To find out more, just visit audi.co.uk/accessories or contact your local Audi Centre.

Warranty

All of the accessories available on the Audi A7 are covered by a three-year warranty* if they are ordered and included in the purchase price of the car at date of delivery. Any accessories ordered and installed after delivery include a two-year warranty.*



*Excluding Road Angel products. Audi Accessories warranty terms and conditions can be found at audi.co.uk/warrantyterms

Merchandise

From the enthusiasts' motorsport collection to the sophisticated Audi collection, there's a wide variety of adults' and children's clothing, lifestyle accessories and collectables, all of which bear the Audi name.

Please speak to a member of our team at your local Audi Centre to see the full Audi collection and to place an order. A selection of Audi merchandise is also available to buy from audi.co.uk/merchandise



Image shown is the Audi kids' car legends, item number 320.13.004.00

The Audi Difference

The experts in Vorsprung durch Technik

Our Audi Approved Master Technicians have undergone an impressive 100,000 hours of training over a 10-year programme to ensure they have the latest technical expertise for maintaining and servicing your Audi. All our Service Advisors undergo a specialist induction and training to ensure they are Audi professionals and able to talk to you about any issues you may have with your Audi vehicle.

Servicing tailored to your needs

Regular servicing is key to safeguarding your Audi's performance and a full service history could help you enhance the future re-sale value. To make servicing easy, the Audi Service Schedules have been designed to work with your individual driving style and vehicle.

We offer two different schedules: the Fixed Inspection Service and the Flexible Service schedule. The conventional Fixed Inspection Service schedule has fixed intervals for the Oil-change Service and Inspection Service, which are determined by time and distance.

With the Flexible Service schedule, the Inspection Service intervals are also fixed but the Oil-change Service intervals are variable. Sensors take account of driving style and conditions to determine when the Oil-change Service is required and the driver is informed via the on-board service interval display.

The choice of Service Schedule will depend on journey type and mileage as well as individual driving style and conditions. The table to the right can be used for guidance but your Audi Centre will help you to determine the most suitable Service schedule for you based on your individual circumstances and preferences.

Fixed Inspection Service Schedule

	Vehicle usage:
Mileage	Less than 10,000 miles per annum Mainly city/town centre driving. Short journeys.
	Service Intervals:
Oil-change Service	Fixed to every 9,000+ miles/1 year
Inspection Service	Fixed to every 19,000+ miles/2 years

Flexible Service Schedule

	Vehicle usage:
Mileage	More than 10,000 miles per annum Motorway and main road driving. Mainly longer distance journeys. Constant speeds.
	Service Intervals:
Oil-change Service	Variable to a maximum of every 19,000+ miles/2 years
Inspection Service	Fixed to every 19,000+ miles/2 years

When a vehicle is frequently used in the following conditions, we recommend a Fixed Inspection Service Schedule, regardless of mileage:

Uneconomical driving styles, e.g. heavy acceleration and braking, constant use of high revs

High engine-loading conditions, e.g. frequent towing and hill climbs

*As indicated by the service interval display. Mileages are approximate as the Service Indicator system uses kilometres as its distance measurement.

Your convenience comes first

At Audi you can choose from a range of convenient services that suit your needs. Why not book a 'service while you wait' appointment* and enjoy our complimentary refreshments while your car is with us? Or, if you need to be mobile, take advantage of one of our courtesy cars which we can even deliver to you.* We guarantee we can service your Audi within 5 days without a courtesy car or within 10 days if you need transport. We will also ensure your car is returned to you with a full valet.

Audi Genuine Parts

You can rest assured that only Audi Genuine Parts will be used on your vehicle. What's more, Audi parts and labour come with a 2-year guarantee.**

No hidden costs

We believe strongly in transparency when it comes to our prices. For added peace of mind, we will give you a quotation over the phone for the work you have requested and email you the price confirmation. We'll consult you if any additional work on your car is needed when it is with us. We won't carry out any extra work without asking your permission first.

All part of the service

Whenever we see an Audi for a service, we connect it directly to our headquarters in Ingolstadt which enables us to check your car's software and make sure it's as up-to-date as possible. If the factory has released a software upgrade for your model, it can be applied immediately - improving anything from your car's efficiency to the precision of its parking system.

Audi Roadside Assistance

Your new car comes complete with 3 years' complimentary roadside assistance and recovery across the UK, provided by Automobile Association Insurance Services Limited. Also included is roadside assistance throughout Europe, managed by Automobile Association Insurance Services Limited.

For further information and terms and conditions please visit audi.co.uk

*Subject to availability.

**Excludes wear and tear.



A7 Sportback technical data

The information on this page is relevant for new factory orders only and is correct at time of publication. Please confirm with your Audi Centre the exact specification and technical data for your model.

Engine	Petrol		Diesel		
	3.0 TFSI quattro	3.0 TDI ultra	3.0 TDI quattro	3.0 TDI quattro	3.0 BiTDI quattro
Transmission	7-speed S tronic	7-speed S tronic	7-speed S tronic	7-speed S tronic	8-speed tiptronic
Cylinder	6-cylinder	6-cylinder	6-cylinder	6-cylinder	6-cylinder
Displacement, cubic cm (valves per cylinder)	2995 (4)	2967 (4)	2967 (4)	2967 (4)	2967 (4)
Max. power, ¹ PS at rpm	333/5500-6500	218/4000-5000	218/3250-4750	272/3500-4250	320/3900-4600
Max. torque, Nm at rpm	440/2900-5300	400/1250-3750	500/1250-3000	580/1250-3250	650/1400-2800
0-62mph acceleration, seconds	5.3	7.3	6.8	5.7	5.2
Top speed, mph	155*	148	148	155*	155*
ABI insurance group 1-50 [†]	44E	38E	41E	44E	45E
Unladen weight, ² kg	1810	1755	1825	1830	1895
Gross weight limit, kg	2420	2365	2435	2440	2505
Roof load limit/nose weight, kg	100/85	100/85	100/85	100/85	100/85
Max trailer load unbraked, ³ kg	750	750	750	750	750
Max trailer load with 12% gradient, ³ kg	2100	2000	2000	2000	2100
Max trailer load with 8% gradient, ³ kg	2100	2100	2100	2100	2100
Luggage compartment capacity, rear seats upright, litres	535	535	535	535	535
Luggage compartment capacity, rear seats folded, litres	1390**	1390**	1390**	1390**	1390**
Fuel tank capacity approx, litres	65	73	73	73	73
AdBlue [®] tank approx capacity, litres [^]	n/a	17	17	17	17
Emission standard	EU6	EU6	EU6	EU6	EU6

*Electronically limited.

[^]The addition of AdBlue[®] technology ensures compliance with EU6 emission standards. The use of AdBlue[®] will vary based on a number of conditions and the tank requires refilling when indicated on the instrument cluster.

**Loaded up to roof with rear seat folded down.

[†]Highest insurance group rating shown. Group may be lower dependent on trim level. Please visit thatcham.org/abigrouprating for details.

¹The given value was obtained in accordance with the specified measurement procedure (the respective current version of the Directive 80/1269/EEC).

²Vehicle's unladen weight without driver (calculated in accordance with the current version of Directive 80/1268/EEC). The fitting of additional equipment may increase the vehicle's unladen weight and drag coefficient, whereupon the potential carrying capacity and top speed will be correspondingly reduced.

³The engine's power output always goes down with increasing altitude. At 1,000m above sea level, and for every additional 1,000m, deduct 10% from the weight of the outfit (trailer load limit + gross weight of the towing vehicle).

Please note: The maximum power output figures are quoted in PS (or Pferdestärke, which is the metric equivalent of brake horsepower). To convert to brake horsepower, divide the PS figure by 1.0139.

A7 Sportback technical data

Depending upon your chosen A7 Sportback wheel size, different efficiency figures for CO₂ emissions and fuel consumption will apply (based on EU directive no. 715/2007 effective from 01/09/14). This table is a quick reference guide to assist you in finding the correct values based on the wheel sizes and chosen engine.

The information on this page is relevant for new factory orders only and is correct at time of publication. Please confirm with your Audi Centre the exact specification and technical data for your model.

¹The given value was obtained in accordance with the specified measurement procedure (the respective current version of the Directive 80/1269/EEC).

²Fuel consumption and CO₂ emissions figures are obtained under standardised test conditions (Directive 93/116/EEC) using a representative model. This allows direct comparison between different models from different manufacturers, but may not represent the actual fuel consumption achieved in 'real world' driving conditions. More information is available at dft.gov.uk/vca

Please note: The maximum power output figures are quoted in PS (or Pferdestärke, which is the metric equivalent of brake horsepower). To convert to brake horsepower, divide the PS figure by 1.0139.

Standard EU test figures for comparative purposes and may not reflect real driving results.

Optional wheels may also affect emissions and fuel consumption figures.

Engine		Petrol		Diesel		
		3.0 TFSI quattro	3.0 TDI ultra	3.0 TDI quattro	3.0 TDI quattro	3.0 BiTDI quattro
Transmission		7-speed S tronic	7-speed S tronic	7-speed S tronic	7-speed S tronic	8-speed tiptronic
Max. power, ¹ PS at rpm		333/5500-6500	218/4000-5000	218/3250-4750	272/3500-4250	320/3900-4600
CO ₂ emissions ² , g/km	19" Wheel	178	118	134	138	164
	20" Wheel	182	122	137	142	167
	21" Wheel	182	-	137	142	167
Benefit in kind (BIK)%	19" Wheel	30%	21%	24%	25%	30%
	20" Wheel	31%	22%	25%	26%	31%
	21" Wheel	31%	-	25%	26%	31%
Fuel consumption ² , mpg (l/100km) Urban	19" Wheel	28.0 (10.1)	58.9 (4.8)	49.6 (5.7)	47.1 (6.0)	37.7 (7.5)
	20" Wheel	27.7 (10.2)	57.6 (4.9)	48.7 (5.8)	46.3 (6.1)	37.2 (7.6)
	21" Wheel	27.7 (10.2)	-	48.7 (5.8)	46.3 (6.1)	37.2 (7.6)
Fuel consumption ² , mpg (l/100km) Extra Urban	19" Wheel	44.8 (6.3)	65.7 (4.3)	58.9 (4.8)	58.9 (4.8)	51.4 (5.5)
	20" Wheel	43.5 (6.5)	62.8 (4.5)	57.6 (4.9)	56.5 (5.0)	50.4 (5.6)
	21" Wheel	43.5 (6.5)	-	57.6 (4.9)	56.5 (5.0)	50.4 (5.6)
Fuel consumption ² , mpg (l/100km) Combined	19" Wheel	36.7 (7.7)	62.8 (4.5)	55.4 (5.1)	54.3 (5.2)	45.6 (6.2)
	20" Wheel	36.2 (7.8)	61.4 (4.6)	53.3 (5.3)	52.3 (5.4)	44.8 (6.3)
	21" Wheel	36.2 (7.8)	-	53.3 (5.3)	52.3 (5.4)	44.8 (6.3)

S7 Sportback technical data

Depending upon your chosen S7 Sportback wheel size, different efficiency figures for CO₂ emissions and fuel consumption will apply (based on EU directive no. 715/2007 effective from 01/09/14). This table is a quick reference guide to assist you in finding the correct values based on the wheel sizes and chosen engine.

*Electronically limited.

**Loaded up to roof with rear seat folded down.

*Highest insurance group rating shown. Group may be lower dependent on trim level. Please visit thattham.org/abigrouprating for details.

¹The given value was obtained in accordance with the specified measurement procedure (the respective current version of the Directive 80/1269/EEC).

²Fuel consumption and CO₂ emissions figures are obtained under standardised test conditions (Directive 93/116/EEC) using a representative model. This allows direct comparison between different models from different manufacturers, but may not represent the actual fuel consumption achieved in 'real world' driving conditions. More information is available at dft.gov.uk/vca

³Vehicle's unladen weight without driver (calculated in accordance with the current version of Directive 80/1268/EEC). The fitting of additional equipment may increase the vehicle's unladen weight and drag coefficient, whereupon the potential carrying capacity and top speed will be correspondingly reduced.

⁴The engine's power output always goes down with increasing altitude. At 1,000m above sea level, and for every additional 1,000m, deduct 10% from the weight of the outfit (trailer load limit + gross weight of the towing vehicle).

Please note: The maximum power output figures are quoted in PS (or Pferdestärke, which is the metric equivalent of brake horsepower). To convert to brake horsepower, divide the PS figure by 1.0139.

Standard EU test figures for comparative purposes and may not reflect real driving results.

Optional wheels may also affect emissions and fuel consumption figures.

	Petrol
Engine	4.0 TFSI quattro
Transmission	7-speed S tronic
Cylinder	V8
Displacement, cubic cm (valves per cylinder)	3993 (4)
Max. power; ² PS at rpm	450/5800-6400
Max. torque, Nm at rpm	550/1400-5700
0-62mph acceleration, seconds	4.6
Top speed, mph	155*
CO ₂ emissions; ² g/km	220
Benefit in kind (BIK)%	37%
Fuel consumption; ² mpg (l/100km) Urban	21.1 (13.4)
Fuel consumption; ² mpg (l/100km) Extra Urban	39.2 (7.2)
Fuel consumption; ² mpg (l/100km) Combined	29.7 (9.5)
ABI insurance group 1-50 ⁺	45E
Unladen weight; ³ kg	1955
Gross weight limit, kg	2565
Roof load limit/nose weight, kg	100/85
Max trailer load unbraked; ⁴ kg	750
Max trailer load with 12% gradient; ⁴ kg	2100
Max trailer load with 8% gradient; ⁴ kg	2100
Luggage compartment capacity, rear seats upright, litres	535
Luggage compartment capacity, rear seats folded, litres	1390**
Fuel tank capacity approx, litres	75
Emission standard	EU6

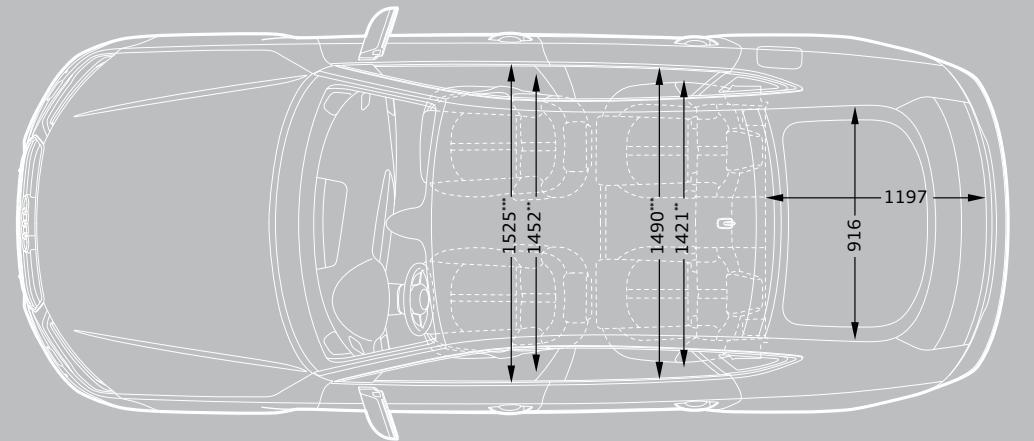
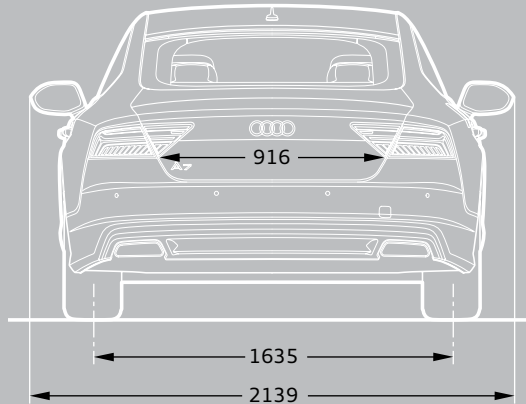
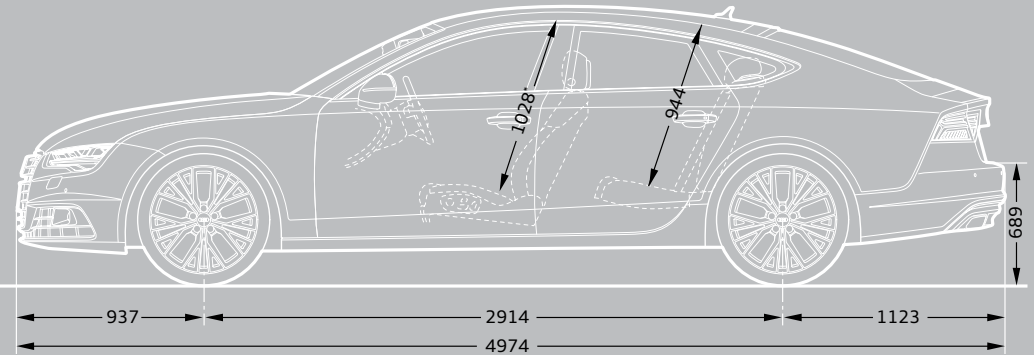
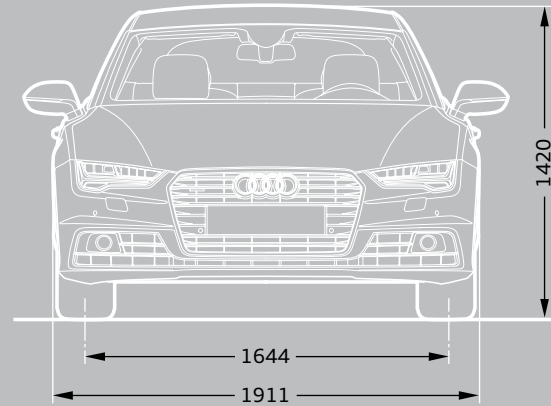




D IN S 7001

A7 Sportback dimensions

The technical drawings opposite show the exact dimensions of the Audi A7 Sportback, so you can check everything – from whether the car will fit in your garage to whether your luggage will fit in the boot.



Dimensions in millimetres. Optional equipment may affect dimensions.

*Maximum headroom.

**Elbow room width.

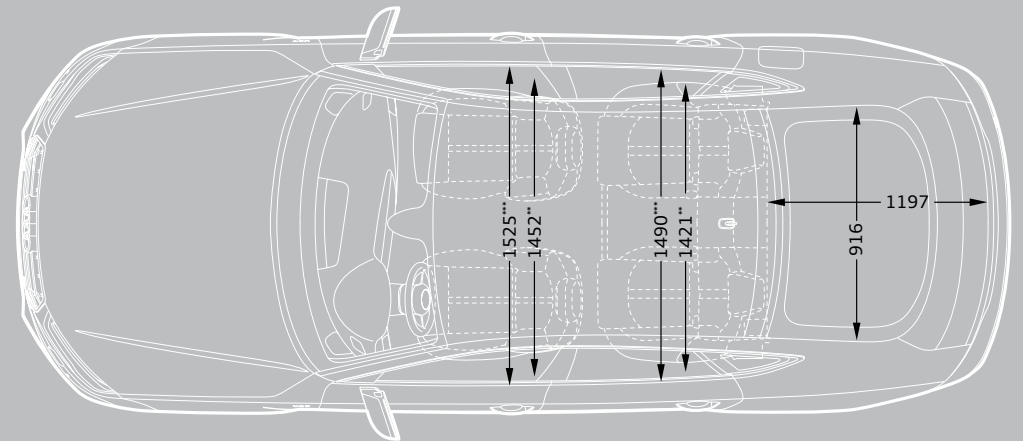
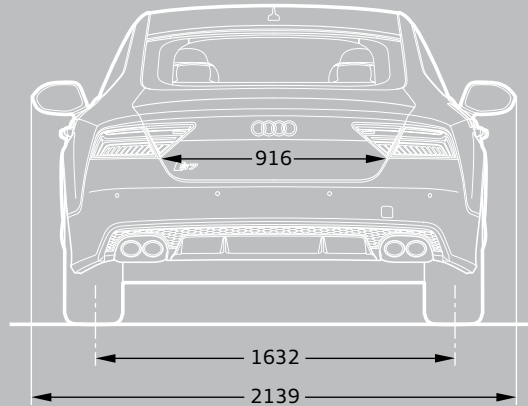
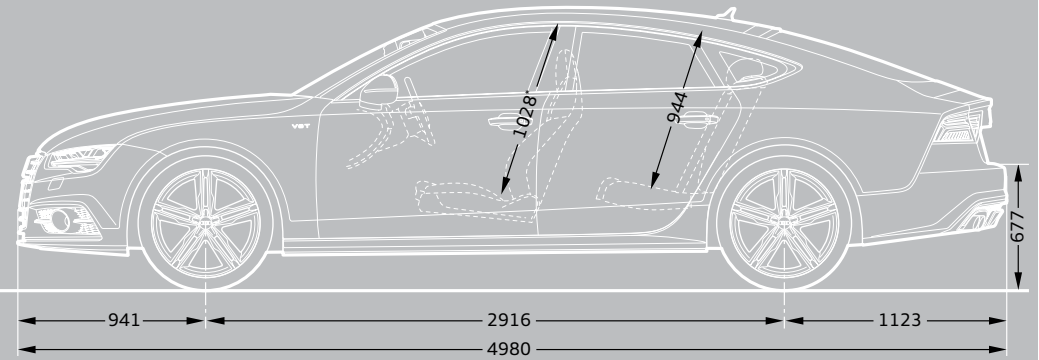
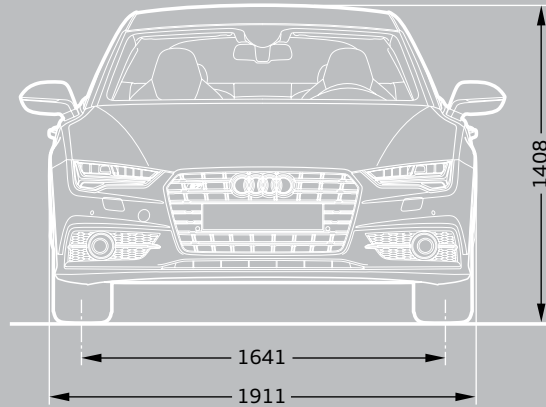
***Shoulder room width.

Turning circle approx 11.9m.

Dimensions were measured with vehicle at unladen weight. Luggage compartment volume in litres: 535/1390 (measured by the VDA standard test method using 200 x 100 x 50mm blocks; second value: with rear seat folded down).

S7 Sportback dimensions

The technical drawings opposite show the exact dimensions of the Audi S7 Sportback, so you can check everything – from whether the car will fit in your garage to whether your luggage will fit in the boot.



Dimensions in millimetres. Optional equipment may affect dimensions.

*Maximum headroom.

**Elbow room width.

***Shoulder room width.

Turning circle approx 11.9m.

Dimensions were measured with vehicle at unladen weight. Luggage compartment volume in litres: 535/1390 (measured by the VDA standard test method using 200 x 100 x 50mm blocks; second value: with rear seat folded down).

Pricing and Additional information

Welcome to Audi

By placing an order for your Audi, you're choosing to drive a car created in the spirit of Vorsprung durch Technik. And because we believe the service we offer should reflect the quality of our cars, we want to let you know exactly what you can expect from us, now and in the future.

Audi Promise

Audi Centres

We guarantee that all our Centres will be open as follows:

Sales: Monday to Friday 9am–6pm
Saturday 9am–5pm

Service: Monday to Friday 8am–6pm
Saturday 8.30am–1pm

Sunday opening is at local discretion.

New car delivery

Once we've confirmed a delivery date for your car, we'll keep you informed of progress. Subject to reasonable notice, we'll then deliver it to a place of your choice, whether that's your home or work. In the unlikely event of a delay, we'll provide a courtesy car to minimise inconvenience and keep you mobile.

Information in this guide

We've done all we can to make the prices, specifications, technical details and all other information you see in this guide accurate at the time of publication. However, as our products are constantly being updated, we recommend checking the details with your Audi Centre. We reserve the right to change prices or specifications at any time.

All prices are subject to VAT, currently charged at 20%, but this may alter to reflect any change in the applicable VAT rate.

Delivery charges and number plates are not included in the Total RRP inc VAT vehicle price.

Delivery charge	£504.99
Number plate	£20.00
VAT	£105.01
Total	£630.00

Recommended On-the-Road (OTR) prices include the delivery and number plate charges above, Road Fund Licence (which may vary depending on model/transmission – see table for details) and first registration fee at £55.00.

The images featured in this guide are for illustrative purposes only. They may feature left-hand drive vehicles and include equipment that is not UK specification.

Audi Customer Care

Every new Audi benefits from the comprehensive Audi Customer Care Package, which comprises:

- ▶ A 3-year Audi warranty, which covers you for unlimited mileage in the first 2 years of ownership, with a full mechanical and electrical warranty which covers you for up to 60,000 miles in the 3rd year
- ▶ A 3-year paint warranty
- ▶ A 12-year anti-corrosion warranty
- ▶ 3 years' UK roadside assistance and recovery

You also have the option when ordering your new car of choosing a 4-year or 5-year Audi warranty. Speak to a member of the sales team for more information.

Warranty terms and conditions apply. Please see audi.co.uk/warrantyterms for further details.

Audi tax-free sales

If you are entitled to purchase a vehicle free of VAT, normally through military or diplomatic privilege, please contact your local Audi Centre for full details.

Should you have any difficulty obtaining the information you require, please call 0870 241 5663.

Audi Financial Services

Audi Financial Services specialises in providing funding solutions for Audi drivers. Whether your Audi is for private or business use, there is a range of funding options to choose from.

Below is the full range of finance products, which comprises:

- ▶ Solutions – a Personal Contract Plan
- ▶ Hire purchase
- ▶ Lease purchase
- ▶ Finance lease
- ▶ Contract hire

With all products, you can choose a fixed-cost maintenance plan designed to help you budget accurately.

No matter which Audi model you choose, your local Audi Centre can provide you with a personalised quote designed to fit your budget and motoring needs.

Audi Financial Services is a trading name of Volkswagen Financial Services (UK) Limited. An offer of finance depends on certain conditions. Available to people over 18 in the UK only.

Audi Insurance

To ensure you can start enjoying your new car from day one, the first five days' insurance is included as standard with all new Audi models. To activate simply call 0330 303 6900, provide us with a few details, and we'll send a cover note to your Audi Centre. They will then tax your car and you can drive it away. Telephone lines are open Monday to Friday 8am – 8pm and Saturday 9am – 4pm. For details of our full range of Insurance products visit insurewithaudi.co.uk

CO2 data and information

CO2 emissions-based Vehicle Excise Duty

Vehicle Excise Duty (Road Fund Licence) is based upon the amount of Carbon Dioxide (CO2) a vehicle emits, measured in grams per kilometre (g/km). First year VED rates apply to the first year of ownership. Annual VED rates apply thereafter. The DVLA has created thirteen categories:

Petrol and Diesel engines	First year	Annual rate (second year onwards)
A – up to 100g/km	£0.00	£0.00
B – 101 to 110g/km	£0.00	£20.00
C – 111 to 120g/km	£0.00	£30.00
D – 121 to 130g/km	£0.00	£110.00
E – 131 to 140g/km	£130.00	£130.00
F – 141 to 150g/km	£145.00	£145.00
G – 151 to 165g/km	£180.00	£180.00
H – 166 to 175g/km	£295.00	£205.00
I – 176 to 185g/km	£350.00	£225.00
J – 186 to 200g/km	£490.00	£265.00
K – 201 to 225g/km	£640.00	£290.00
L – 226 to 255g/km	£870.00	£490.00
M – over 255g/km	£1,100.00	£505.00

Vehicle Excise Duty (VED) rates correct at time of going to print, but these may alter to reflect any change in the applicable VED rate.

Audi Connect

An external data source is required to enable Audi Connect online services. One of two can be used:

1. A Bluetooth compatible mobile telephone with remote SIM Access Profile (rSAP). For mobile phone and software compatibility please visit audi.co.uk/phonecompatibility or your Audi Centre.
2. A separate SIM card with data option (which can be inserted into the included SIM card reader). If LTE usage is required the SIM card will also need a LTE option. When a separate SIM card is used, hands-free phone calls are possible by connecting a different mobile telephone via Bluetooth Hands Free Profile. For mobile phone and software compatibility please visit audi.co.uk/phonecompatibility or your Audi Centre.

Online services will only be available within the coverage of the mobile phone network; there may be additional costs for the use of these services (charges and billing correspond to the personal mobile phone contract or SIM card contract). Due to high data volumes, a mobile phone contract including an unlimited or high usage data plan is strongly recommended. The content and scope of the online based services offered may vary.

When ordered as an option, a 36 month Audi Connect subscription is provided with your vehicle. The subscription runs from the point of vehicle delivery. Should you wish to continue to use Audi Connect after 36 months, please consult your Audi Centre for details (including the latest subscription fees).

Audi Connect services listed are correct at time of publication. We may add, change, replace or remove individual Audi Connect services or features at any time during your subscription.

Audi Connect enables access to the services of Google and Twitter. Permanent availability cannot be guaranteed as this is the responsibility of Google and Twitter. Google and the Google logo are registered trademarks of Google Inc.

The availability of services supported Audi Connect varies from country to country and is dependent on the capability of your mobile phone. For mobile phone and software compatibility please visit audi.co.uk/phonecompatibility or your Audi Centre.

Online Map updates

The map version delivered can be updated with the first 5 updates which are issued at intervals of 6 months. The current navigation data can be downloaded from the myAudi Platform at www.audi.com/myaudi and installed in the vehicle via SD card. In conjunction with Audi Connect, the update can be carried out online in the vehicle. In addition, it is possible to have the new navigation data installed by an Audi Centre at extra cost



Audi UK

Customer Services
Selectapost 29
Sheffield
S97 3FG
0800 699888
audi.co.uk

Information in this guide is subject
to change without notice.

© Audi (UK)

Printed in the UK
Edition 2.3 01/16
2016 Model Year

Images are for illustrative purposes only.