



A8 | S8



## Personalising your Audi A8

This guide has been designed to help you tailor and price your Audi A8 quickly and logically. At the back, you will find information on CO<sub>2</sub> emissions-based taxation and services offered with your Audi, including Finance and Insurance. You can also configure your Audi A8 online at [www.audi.co.uk](http://www.audi.co.uk)

The images featured in this guide are for illustrative purposes only. They may feature left-hand drive vehicles and include equipment that is not UK specification.

### The Audi A8

|              |    |
|--------------|----|
| Engines      | 12 |
| Transmission | 13 |
| Efficiency   | 14 |
| quattro      | 16 |

### Model details and prices

|                                    |    |
|------------------------------------|----|
| SE Executive model equipment       | 20 |
| Sport model equipment              | 24 |
| Black Edition model equipment      | 26 |
| Long wheelbase model equipment     | 28 |
| S8 model equipment                 | 30 |
| S8 plus model equipment            | 34 |
| W12 long wheelbase model equipment | 36 |
| Model prices                       | 38 |

### Colour and upholstery

|                       |    |
|-----------------------|----|
| Paint                 | 40 |
| Upholstery and seats  | 44 |
| Colour and trim guide | 52 |
| Audi design selection | 54 |
| Interior design       | 56 |

|                       |    |
|-----------------------|----|
| <b>Audi exclusive</b> | 58 |
|-----------------------|----|

|               |    |
|---------------|----|
| <b>Inlays</b> | 64 |
|---------------|----|

### Options

|                              |    |
|------------------------------|----|
| Wheels, tyres and suspension | 68 |
| Packages                     | 74 |
| Audio and communication      | 76 |
| Interior equipment           | 78 |
| Exterior equipment           | 80 |
| Safety and security          | 81 |
| Steering wheels              | 86 |

### Everything your Audi needs

|                 |    |
|-----------------|----|
| Warranty        | 90 |
| Merchandise     | 91 |
| Audi Difference | 92 |

### Technical details

|                |    |
|----------------|----|
| Technical data | 93 |
| Dimensions     | 97 |

|                              |     |
|------------------------------|-----|
| <b>Important information</b> | 100 |
|------------------------------|-----|





## Vorsprung durch Technik

Three words that express the very essence of Audi – Vorsprung durch Technik. It's not just a slogan, it's our way of seeing the world and the driving force behind our history of innovation that continues into the 21st century. Indeed, many technologies that have become synonymous with Audi remain in our cars today. Some are milestones in the history of the motorcar. From our beginnings in 1899, to the Auto Union team's Grand Prix successes in the 1930s and our more recent wins at Le Mans, we have always been at the forefront of the motor industry.

Vorsprung durch Technik makes us who we are. To see more of its influence, just read on.













## **Audi A8 – luxury in motion**

The Audi A8 combines timeless elegance with innovative technology. It has a high level of luxury, thanks to exquisite attention to detail and extensive specifications as standard – adaptive air suspension, luxurious seats upholstered in Valcona leather and HDD-based navigation including MMI Touch.

The Audi A8 is built on the aluminium Audi Space Frame. It helps reduce weight and fuel consumption, while boosting agility and dynamics. With its refined comfort and sophisticated technologies like optional night vision, the Audi A8 is how Audi sees 21st century luxury car travel.







## **A8 interior story**

We've introduced a number of finishing touches to the Audi A8 interior to make your driving experience both comfortable and unique. You'll find an impressive attention to detail in everything from the luxurious leather seating to our optional inlays, which means that every journey you make will be a personal one.

# Engines

## Petrol

FSI direct-injection technology was originally developed for the Le Mans 24-hour endurance race to deliver more power and torque. Precisely the right amount of fuel and air are injected into the combustion chambers, enabling the engine to 'breathe' more easily. It results in reduced heat loss and increased output. TFSI, which combines supercharging with FSI technology, gives cars an extra injection of power.

## Diesel

We introduced TDI to the roads in 1989, and since then, we've continuously refined it, including developing common-rail technology. Under this system, a series of piezo injectors use electrical charge to precisely control the amount of fuel injected into the engine. As well as reducing noise, this allows combustion to happen at a lower temperature, with less oxygen. All A8 diesel engines are now fitted with AdBlue®\* technology to comply with EU6 emission standards.







## Transmission

### **8-speed tiptronic**

The Audi A8 comes with an advanced 8-speed tiptronic transmission system. With a Dynamic Shift Programme (DSP) it is designed to enable faster gear changes. Both in the 'D' (Drive) and 'S' (Sport) programme, the advanced electronics used in tiptronic respond efficiently to every driver input, helping to prevent unwanted upshifts when cornering. This advanced gearbox can also be operated entirely in manual mode, enabling the driver to change gear using the paddles located on the steering wheel.



# Efficiency

We've incorporated a number of technologies into the Audi A8 designed to enhance your drive and improve efficiency.

## Aerodynamics

A car's shape can have a big impact on its efficiency. So we've worked to make the A8 as aerodynamic as possible, including technology such as adaptive air suspension that responds to changes in speed to help reduce its drag coefficient. It means that the A8 is designed to become more aerodynamic at high speeds, while still offering an exceptional ride quality.

## Audi Space Frame

The Audi Space Frame (ASF) has long been an integral part of the Audi A8. In 1994 it became Audi's first production model to embody the innovative ASF. The ASF consists of a lightweight yet high-strength aluminium frame structure. Lightweight excellence is simple: the less weight an engine must propel, the less fuel is consumed.





### **Automatic Start-Stop function**

In heavy traffic, your car still uses fuel, even when it's stationary. The automatic Start-Stop function counteracts this problem by switching off the engine when your car comes to a standstill. As soon as you release the brake pedal, the car restarts.

### **Recuperation**

With a recuperation system like the one in the Audi A8, the kinetic energy used in braking is converted into useful electrical energy.

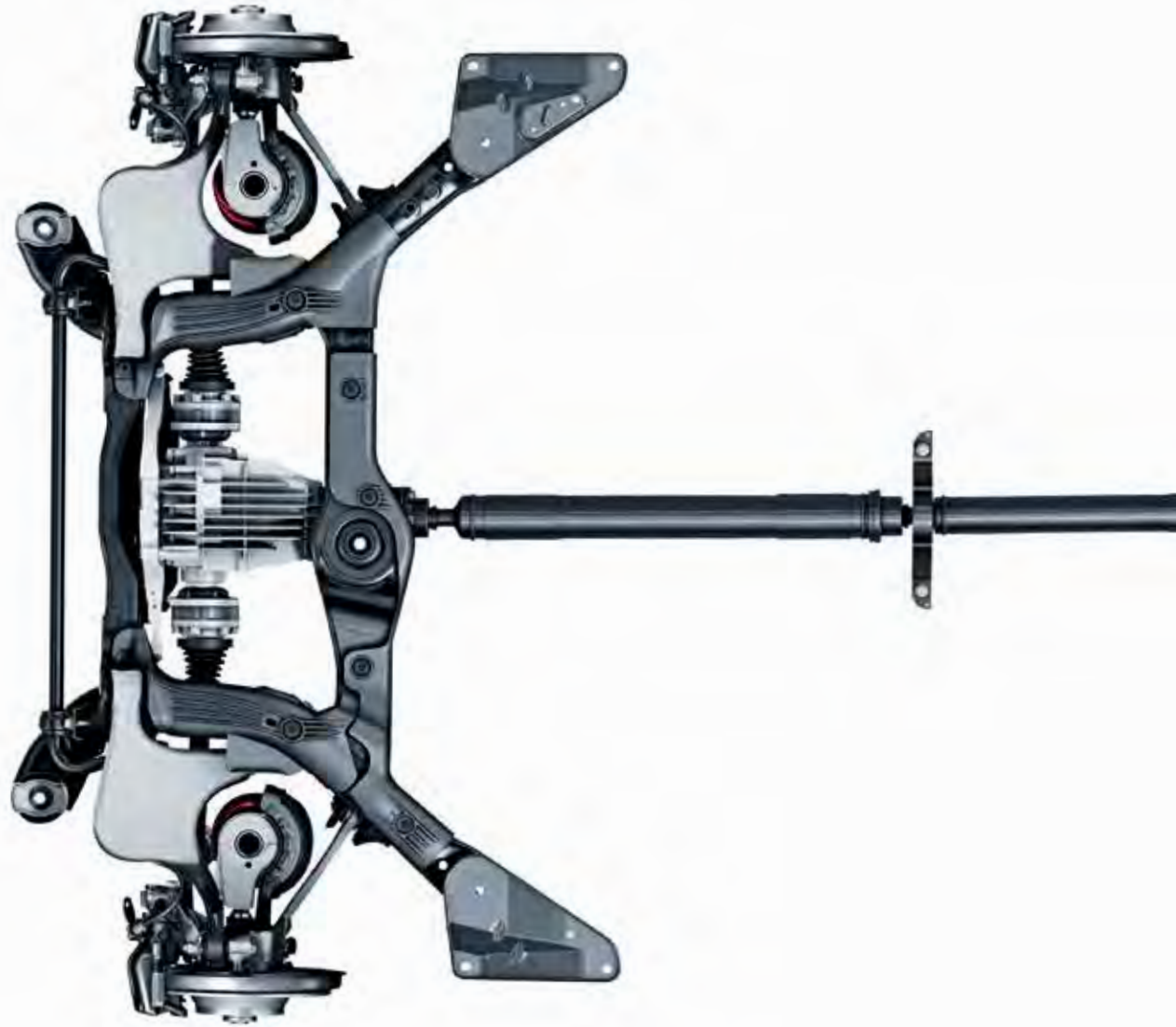
### **Audi cylinder-on-demand**

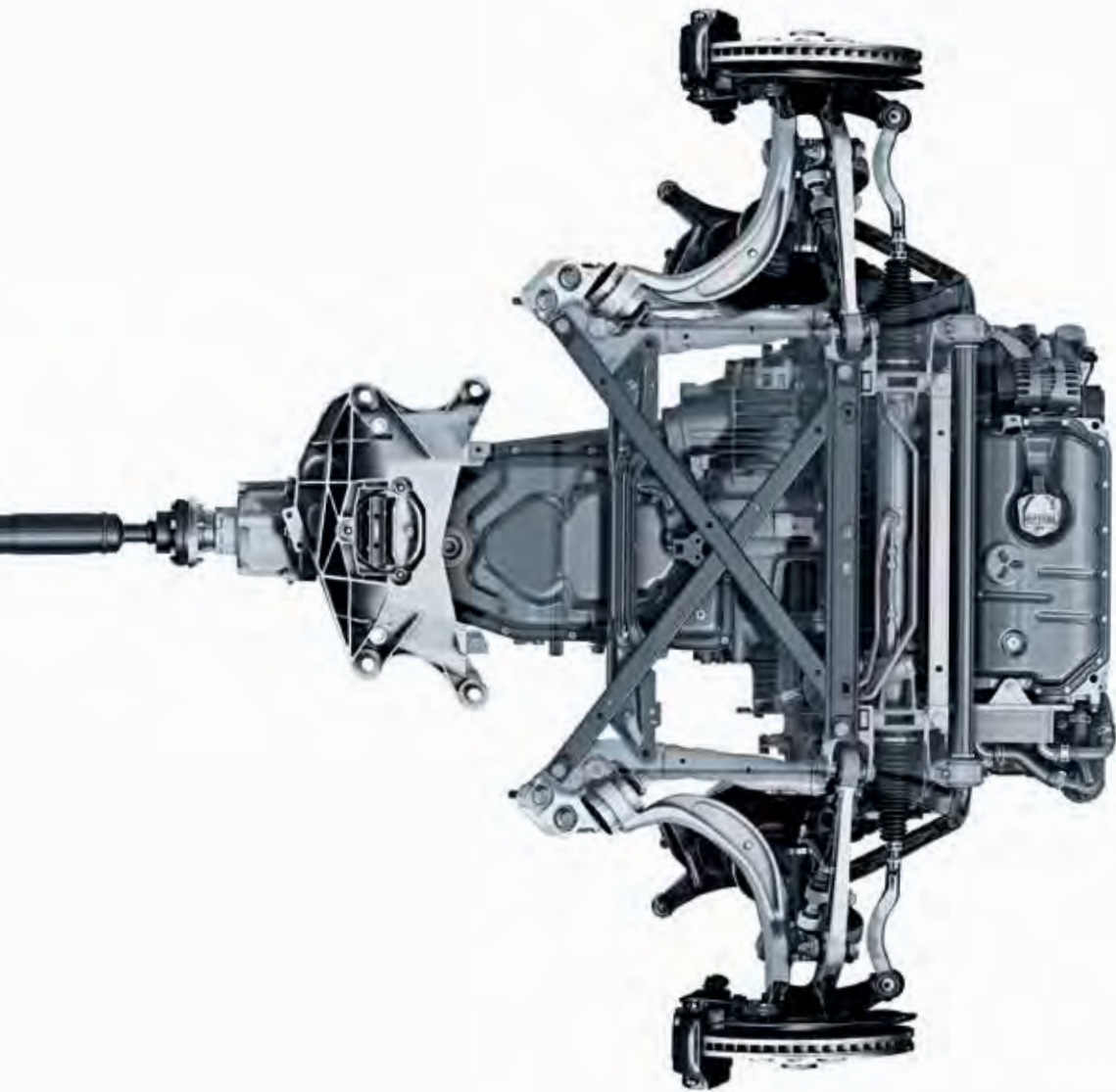
On the Audi S8 and W12 models, cylinder-on-demand technology automatically shuts down half of the cylinders when the engine is operating at lower loads, particularly when cruising on the motorway or in city traffic. All of this is designed to help improve fuel consumption without compromising performance.

## quattro

It's the technology that has been synonymous with Audi ever since it was first introduced over 30 years ago – a technology that helps deliver greater traction on all surfaces. It's called quattro permanent all-wheel drive.

The principle is simple: in the same way that four brakes ensure better deceleration, four permanently-driven wheels aid acceleration and road-holding by distributing power to each individual wheel as necessary. The result is a dynamic driving experience in all conditions.





In the Audi A8, asymmetric dynamic torque distribution continuously distributes drive power between the front and rear axles, depending on weather conditions, road surface and gradient. This leads to greater flexibility and an enhanced, sportier drive.

What's more, with the 4.2-litre TDI engine and on the Audi S8, you'll get quattro with Sport differential as standard. The electronically regulated Sport differential distributes variable amounts of torque to each rear wheel allowing for especially responsive and direct steering while cornering.







# SE Executive model equipment

All A8 SE Executive models have the following items of standard equipment

## Engine and transmission

8-speed tiptronic transmission with electronically-transmitted shift information and Dynamic Shift Programme (DSP)

Recuperation for optimal energy utilisation  
Automatic Start-Stop function

## Wheels, tyres and suspension

18" x 8J '10-spoke V' design alloy wheels with 235/55 R18 tyres

Adaptive air suspension with four selectable modes (Auto, Dynamic, Comfort and Lift) selectable through MMI

Audi Drive Select with four pre-configured modes (Comfort, Auto, Dynamic and Efficiency)

## Locking wheel bolts

quattro permanent all-wheel drive

quattro with Sport differential – the electronically regulated Sport differential distributes variable amounts of driving force to each rear wheel, improving stability and agility especially when cornering. It ensures better direct steering characteristics and, thanks to less steering effort, more agile handling (standard on 4.2 TDI only)

Space-saver spare wheel

## Lighting

All-LED headlights including High-beam assist – LEDs for all front lighting functions. LED technology provides lower energy consumption and enhanced contrast with a colour similar to daylight. Includes all-weather light function to reduce the risk of the driver being dazzled when visibility is poor (in fog, rain or snow), turning-light function which is activated when indicator is switched on (up to speeds of 45mph), and an additional motorway light which automatically increases headlight range at speeds above approximately 68mph. Also includes High-beam assist which automatically adjusts headlights from high beam to dipped beam when another vehicle is approaching or when other ambient lighting is detected (i.e. street lights) by a camera on the interior mirror

Dynamic rear indicators – the rear indicators dynamically sweep from inside to out. This helps to clearly identify not only that the vehicle is turning, but in which direction – making it easier for other road users to determine which way cars are moving in a shorter amount of time

LED rear lights

Rear fog lights

## Seats

Valcona leather upholstery

Electrically-adjustable 4-way lumbar support

Electrically adjustable Comfort front seats with memory (22-way adjustable) including adjustment for:

- Forwards/backwards position
- Seat cushion height
- Seat cushion tilt
- Seat cushion depth
- Upper backrest
- Seat belt height
- Comfort headrests
- Pneumatic lumbar support
- Pneumatic side bolster adjustment
- Memory for driver's seat, passenger seat, steering wheel and door mirror

Comfort headrests for rear seats with manually adjustable side bolsters to provide enhanced comfort for rear passengers

Heated front seats with variable temperature adjustment

3-seat rear bench



18" x 8J '10-spoke V' design alloy wheels



All-LED headlights including High-beam assist



Comfort seats in Valcona leather with optional seat ventilation for the front and outer rear seats (4D1)



### Audio and communication

**Colour Driver's Information System (DIS)**, with 7" high-resolution display and rest recommendations

**Audi Music Interface (AMI)**. Provides connection for use with USB storage devices and MP3 players, including Apple iPod generation 4 onwards and Apple iPhone. Replicates display on the audio screen and DIS, including track titles. Interface is housed in the centre console, and provides a charging function (dependent on device and cable). Intuitive operation via the MMI or multi-function steering wheel

#### Audi sound system

- 6-channel amplifier
- 180 watt amplifying capacity
- Two 200mm speakers and two tweeters in front doors
- 100mm front centre speaker
- 2-way system with 168mm wide speaker and tweeters in the rear
- 260mm subwoofer located in the parcel shelf

### MMI 8" high-resolution colour TFT display

#### Satellite Navigation system – HDD-based

- Two SD card readers
- 3D and topographical mapping display including advanced 3D building display in select cities
- 7-digit postcode recognition
- 60GB hard drive, 20GB of which can be used to store up to 8,000 songs
- Advanced speech recognition
- AM/FM tuner with TP memo function
- MP3 compatible front-loading CD/DVD player
- Route planning and guidance using voice, pictogram and 3D mapping

**MMI Touch**. A touch-sensitive control panel which can be used to enter letters and numbers, scroll through lists and easily move around navigation maps

#### DAB digital radio reception

#### Mobile telephone preparation –

Bluetooth interface. For mobile phone and software version compatibility, please visit your Audi Centre or [www.audi.co.uk/phonecompatibility](http://www.audi.co.uk/phonecompatibility)

### Safety and security

**Audi parking system advanced with reversing camera** – aids parking by acoustically and visually indicating distances to obstacles with guiding lines. Measured by sensors and reversing camera

**Advanced key** – keyless entry allows the driver to keep the car key in their pocket or bag at all times. To unlock and open, simply lift the exterior door handle

**3-point seat belts** for all seats, front with electric height adjustment and memory function

**Airbags**, full size, for driver and front passenger

#### Audi backguard head restraints

**Audi Space Frame (ASF)** construction with aluminium chassis

#### Automatic headlight range adjustment

#### Cruise control

**Door mirrors** – electrically-adjustable, folding, heated and auto-dimming, including automatic kerb-view function; which tilts the passenger mirror downwards towards the kerb when reverse gear is engaged

#### Double glazing

**Electrically-adjustable steering column** with memory and adjustment for height and reach with auto easy-entry-and-exit function

#### Electromechanical parking brake

**Electronic Differential Lock (EDL)** traction control

#### Electronic Stability Control (ESC)

#### First aid kit with warning triangle

#### Front passenger airbag deactivation

#### Headlight washers

**ISOFIX child seat mounting**. For front passenger (with airbag deactivation) and outer rear seats. Including Top Tether attachment point for the outer rear seats

**Light and rain sensor package**. Includes automatic headlight activation, automatic windscreen wipers, coming home/leaving home function and sun band for the windscreen

**Pre-sense basic**, which provides you with comprehensive preventive protection. This advanced safety system can detect an imminent collision and tighten the seat belts, close the sunroof and windows, and activate the hazard warning lights to alert other drivers

#### Electromechanical power steering

#### Sideguard head airbag system

#### Thatcham Category 1 alarm and immobiliser

#### Tool kit

**Tyre pressure loss indicator**. Visual and acoustic warning if the pressure drops in one or more tyres



8" high-resolution colour TFT display with HDD Satellite Navigation system



Audi parking system advanced with reversing camera



Colour Driver's Information System



## Interior equipment

**4-spoke multi-function steering wheel** with gear-shift paddles

**Auto-dimming rear-view mirror**

**Analogue clock in lower inlay**

**Comfort front centre armrest** split for driver and passenger with fold-up storage compartments; horizontally and vertically adjustable

**Cloth headlining** (colour dependent on chosen upholstery) – please see page 52

**Illuminated door sill trim with quattro logo** (not available on S8 and W12)

**Climate control with sun sensor**

- Air quality sensor
- Air humidity sensor (internal and external)
- Automatic defrost function
- Cooled glove compartment
- Choice of three different climates
- Rear ventilation for footwell, centre and B-pillar
- Separate air distribution, temperature controls and display for driver and front passenger
- Sensitive moisture detectors to help avoid misted windows
- Temperature controls for footwell on driver and front passenger side

## LED ambient lighting package\*:

- Colour choice (Ruby, Ivory or Polar) can be controlled via MMI
- Light strip between grab handles, two colours
- LED footwell lights (front and rear), two colours
- LED entry lights (x4)
- Illuminated door pockets, two-colour LED
- Light guide for front and rear doors, three-colour LED
- Illuminated centre console giving 'floating' effect, three-colour LED
- LED active door warning lights (x4)
- Roof module, two-colour light strip/three-colour reflected light

## Extended aluminium look in interior

- Brushed aluminium silver switches in lower inlay, centre console and door
- Air vent slats and thumbwheels in chrome trims
- Aluminium inlay on folding compartment in door armrest
- Stainless steel boot sill protector

## Front and rear floor mats

## Front passenger storage

- Cooled glove compartment
- Door storage pockets with space for 1-litre bottle
- Front footwell net
- Glasses holder integrated into roof module
- Parking ticket holder in sun visor
- Storage compartment in door armrest with space for small umbrella
- Two cupholders in centre console

**Front sun visors** with illuminated vanity mirrors

## Keyless go

**Lower inlays in brushed aluminium**

**Upper inlays in Walnut brown**

**Luggage compartment pack**

**Rear passenger storage:**

- 12V socket
- Centre armrest with storage compartment and two cupholders
- Door storage pockets
- Luggage net
- Two integrated bag hooks
- Umbrella holder

## Exterior equipment

**Power-operated boot lid** which opens and closes electrically. Opened via radio-operated remote car key, button in the driver's door or the soft-touch button in the boot lid recess. Closed by pressing the button on the inside of the boot lid

**Body-coloured door mirrors, handles and bumpers**

**Power door closure**

**Privacy glass.** Dark tinted glass from the B-pillar backwards

**Aluminium trim strips framing windows**

**Twin exhaust pipes**, one on each side

**Metallic or pearl-effect paint**

**Audi hands-free boot opening system.** Allows the opening of the boot lid by a simple foot movement underneath the rear bumper to trigger the automatic opening of the tailgate

**Windscreen washer jets**, heated



4-spoke multi-function steering wheel\*\*



Illuminated door sill trim with quattro logo



Audi hands-free boot opening system



Keyless go

\*Two-colour: Polar or Ivory. Three-colour: Polar, Ivory or Ruby.

\*\*Actual finish of multi-function steering wheel may differ from image shown.



Image shows A8 Saloon SE Executive model with Floret silver metallic paint (L5) without privacy glass (YEK), with optional Audi Matrix LED headlights (PXC) and 20" x 9J '10-spoke' design aluminium alloy wheels (PRA)

# Sport model equipment

## In addition to SE Executive model equipment

**Total RRP inc VAT\***  
£3,600.00

### Wheels, tyres and suspension

19" x 9J '7-parallel-spoke' design alloy wheels with 255/45 R19 tyres

### Seats

Comfort front Sport seats with memory function (22-way adjustable). Includes stitched diamond design with perforated leather seat-front

### Audio and communication

**BOSE® surround sound system.** Includes:

- 14 high-performance speakers including subwoofer
- 12-channel DSP amplifier with over 600 watt output, located in boot
- Surround sound reproduction from digital 5.1 recordings (DVD) and from stereo sources (CD, Radio, MP3) via the patented BOSE® Centerpoint 2 technology

For further information, please see page 76

### Mobile telephone preparation – High with Audi Connect.

A mobile phone can be connected to the internal UMTS (3G) module via Bluetooth (provided the mobile telephone has SIM Access Profile), or alternatively through the additional SIM card reader. Audi Connect features include:

- Navigation using Google Earth™ images and Google Street View™
- Destination entry via Google Maps™ or myAudi
- Online points-of-interest search and information services such as weather forecasts and the latest world news
- Audi traffic information online, which gives exact and accurate real-time forecasts of the traffic situation along the chosen route
- Wi-Fi hotspot in the car for convenient internet access using a mobile device (e.g. laptop or tablet)

Please see pages 76 and 101 for full information of Audi Connect services, including functionality and compatibility details

### Safety and security

**Audi Matrix LED headlights with dynamic front and rear indicators.** Audi Matrix LED technology provides precise illumination of the road whilst reducing the risk of dazzling other road users. Using information from the vehicle's sensors, camera and MMI Navigation, Matrix LED calculates the appropriate lighting required and automatically dips or turns off individual lighting diodes, creating corridors of lights either side of the vehicle or the object in front of it. Includes dynamic front and rear indicators which sweep from inside to out. This helps to clearly identify not only that the vehicle is turning, but in which direction

### Interior equipment

**3-spoke multi-function steering wheel** with gear-shift paddles

### Exterior equipment

**Sport exterior package** including:

- Sport front bumper with larger air intakes
- Sport side sills
- Sport rear bumper with integrated tailpipes



3-spoke multi-function steering wheel with gear-shift paddles



19" x 9J '7-parallel-spoke' design alloy wheel



Comfort front Sport seats



Audi Matrix LED headlights





Image shows A8 Sport model in Floret silver metallic paint (L5)



# Black Edition model equipment

In addition to Sport  
model equipment

Total RRP inc VAT\*  
£2,500.00

## Wheels, tyres and suspension

21" x 9J '5-arm Rotor' design titanium finish alloy wheels with 275/35 R21 tyres

**Sport air suspension** – with electronic shock absorption control and stiffer damping. Vehicle ride height is lowered by up to 10mm, depending on the mode. Controlled via Audi Drive Select

## Interior equipment

Upper inlays in Piano finish, black

## Exterior equipment

**High-gloss black styling package.**

Including:

- Radiator grille frame in high-gloss black
- Adaptive Cruise Control sensor surrounds in high-gloss black
- Air inlets in high-gloss black
- Rear trim strip in high-gloss black
- Window surrounds in high-gloss black
- Rear light housings in darkened glass
- Front grille in matt black



21" x 9J '5-arm Rotor' design titanium finish alloy wheels



Upper inlays in Piano finish, black



Image shows A8 Black Edition model in Floret silver metallic paint (L5). Please note: black mirror housings are not available for UK Black Edition. Mirrors come in body colour as standard

# Long wheelbase model equipment

In addition to SE Executive model equipment

Total RRP inc VAT+  
£3,965.00

## Seats

Heated front and outer rear seats

## Interior equipment

130mm of additional legroom for rear passengers

Electric sunblinds for rear window and for rear door windows

LED ambient lighting package, plus:

- Illumination of rear centre console, 3-colour LED

Deluxe 4-zone climate control including rear comfort centre armrest. As standard climate control, plus:

- Separate air distribution and temperature controls for driver, front passenger and both sides in the rear

- Additional air conditioning controls and unit in the rear comfort centre armrest
- Residual heat utilisation – the heating system uses the heat generated from the engine to keep the car warm after the ignition has been switched off
- Footwarmer – a higher/lower temperature can be set for the driver and passenger footwells whilst maintaining a different temperature for the main cabin area
- Indirect air regulation – once cabin is up to desired temperature, heated/cooled air is only circulated via the vents at the base of the windscreen and flows around the car, meaning air is not directly blown at driver/passengers
- Rear passenger climate can also be adjusted via the front control panel

## Exterior equipment

Electric slide-and-tilt sunroof. Includes position pre-selection, tinted glass insert, variable sunshield and convenience closing



Deluxe 4-zone climate control



Electric slide-and-tilt sunroof



Image shows A8L in Oolong grey, metallic (0C) with optional 20" x 9J '10-parallel-spoke' design alloy wheels (PRK)



# S8 model equipment

## In addition to SE Executive model equipment

### Wheels, tyres and suspension

20" x 9J '5-parallel-spoke S' design alloy wheels with 265/40 R20 tyres

**quattro with Sport differential** – the electronically regulated Sport differential distributes variable amounts of driving force to each rear wheel, improving stability and agility especially when cornering. It ensures better direct steering characteristics and thanks to less steering effort, more agile handling

**'S' Sport adaptive air suspension** with electronic shock-absorption control – additional stiffer damping. Vehicle height can be decreased by up to 10mm. Increased functionality through Audi Drive Select

**Dynamic steering** – steering angle and steering torque adjusted dependent on road speed. Can also be adjusted through Audi Drive Select. ESP uses the dynamic steering function along with the brakes to apply active steering interventions when the vehicle is under-steering

### Seats

**'S' Comfort front Sport seats in Valcona leather with memory function** (22-way adjustable). As standard seat plus:

- Stitched diamond design with perforated leather seat front
- Electrically adjustable upper backrest
- Electrically adjustable seat cushion depth
- Electrically adjustable comfort headrests
- Pneumatic lumbar support
- Pneumatic side bolster adjustment

**Standard headrests for the rear seats**

### Audio and communication

**Mobile telephone preparation – High with Audi Connect.** A mobile phone can be connected to the internal UMTS (3G) module via Bluetooth (provided the mobile telephone has SIM Access Profile), or alternatively through the additional SIM card reader. It is possible to transfer phone book entries to the car and manage call lists

Audi Connect features include:

- Navigation using Google Earth™ images and Google Street View™
- Destination entry via Google Maps™ or myAudi
- Online points-of-interest search and information services such as weather forecasts and the latest world news
- Audi traffic information online, which gives exact and accurate real-time forecasts of the traffic situation along the chosen route
- Wi-Fi hotspot in the car for convenient internet access using a mobile device (e.g. laptop or tablet)

Please see pages 76 and 101 for full information of Audi Connect services, including functionality and compatibility details



20" x 9J '5-parallel-spoke S' design alloy wheels



'S' Comfort front Sport seats in Lunar silver Valcona leather

**BOSE® surround sound system** – includes:

- 14 high-performance speakers including subwoofer
- Two tweeters and a centre speaker in dashboard
- Two bass modules with BOSE® Acoustic Wave speaker technology and two mid-range driver speakers in front doors
- Two mid-range drivers in doors and two tweeters in the B-pillars in rear doors
- A subwoofer and two surround sound speakers in parcel shelf
- 12-channel DSP amplifier with over 600 watt output located in boot
- Surround sound reproduction from digital 5.1 recordings (DVD) and from stereo sources (CD, Radio, MP3) via the patented BOSE® Centerpoint 2 technology
- Speaker trim design with chromed plastic frames, protector and BOSE® logo

**CD/DVD changer** for 6 DVDs and/or CDs (MP3, WMA, AAC and WMV formats) located in the glovebox

## Safety and security

### 'S' model enhanced braking system

#### Matrix LED headlights with LED rear lights and dynamic front and rear indicators.

Audi Matrix LED technology provides precise illumination of the road whilst reducing the risk of dazzling other road users. Using information from the vehicle's sensors, camera and MMI Navigation, Matrix LED calculates the appropriate lighting required and automatically dips or turns off individual lighting diodes, creating corridors of lights either side of the vehicle or the object in front of it. Includes dynamic front and rear indicators which sweep from inside to out. This helps to clearly identify not only that the vehicle is turning, but in which direction

#### Audi parking system advanced with top view.

Aids parking and manoeuvring using 4 cameras. Cameras are mounted in the front grille, the handle of the boot lid and the housing of the two exterior mirrors. The driver can choose between different image representations in the MMI display, including a live 'bird's-eye view' image for parking

## Interior equipment

**3-spoke 'S' multi-function steering wheel** with gear-shift paddles and contrast stitching

**Illuminated door sill trims** with S8 logo

#### Extended leather package plus.

Fine Nappa leather with decorative stitching on:

- Door armrest
- Centre console
- Knee pads
- Airbag cover on steering wheel
- Bottom of door panels
- Door pockets
- Bottom of instrument panel including exterior of glove compartment
- Area surrounding the MMI

**Alcantara package.** With headlining, A, B, C and D-pillars and parcel shelf in Alcantara

#### Gear selector lever in Carbon atlas

#### Upper inlays in Carbon atlas

**'S' instrument dials**, in grey with white needles and S8 badge

**Active noise cancellation.** Effectively compensates for road noise inside the car, depending on the interior noise level and engine speed

**Advanced key** – keyless entry allows the driver to keep the car key in their pocket or bag at all times. To unlock and open, simply lift the exterior door handle

## Exterior equipment

#### Aluminium-effect door mirror housings

**Dual-branch oval twin tailpipes** in chrome finish

**'S' Platinum grey single-frame grille** with dual struts in chrome and S8 logo

**Painted black brake calipers** with S8 logo

#### 'S' body styling

#### V8T badge on front wings

**Power-operated boot lid** – which opens and closes electrically. Opened via radio-operated remote car key, button in the driver's door or the soft-touch button in the boot lid recess. Closed by pressing the button on the inside of the boot lid

#### Audi hands-free boot opening system.

Allows a simple foot movement underneath the rear bumper to trigger the automatic opening of the boot lid

#### Acoustic glazing (without Privacy glass)

#### Standard door closure



Inlays and gear selector lever in Carbon atlas



'S' instrument dials







# S8 plus model equipment

## In addition to S8 model equipment

### Wheels, tyres and suspension

21" x 9J '5-double-spoke' black alloy wheels with 275/35 ZR21 tyres

### Engine

Overboost function increasing maximum available torque by 50 Nm to 750 Nm

### Exterior equipment

**High-gloss black styling package.** Includes exterior door mirror housings, 'S' single-frame radiator grille frame, Adaptive Cruise Control sensor surrounds, rear trim strip and window surrounds in high-gloss black. Also includes front air intakes in matt black

Rear light clusters in darkened glass

Sport exhaust with dual-branch oval twin tailpipes in high-gloss black

Rear diffuser in high-gloss black with carbon fibre insert

Front lip spoiler and side flaps in carbon fibre

Rear boot lid spoiler in body colour

Privacy glass. Dark tinted glass from the B-pillar backwards

Power door closure

### Safety and security

**Adaptive Cruise Control (ACC)** with Stop&Go function and Pre-sense Front

### Interior equipment

**Black Alcantara package.** Includes headlining, A, B, C and D-pillars and parcel shelf in black Alcantara

**Extended leather package advanced.**

In addition to Leather package plus (7HC), Fine Nappa leather with decorative stitching on:

- Top of door
- Instrument panel cover
- Front seat backrest cover
- Front seat bottom trim
- Dashboard wraparound
- Front and rear headrest piping

**Electric sunblinds** for rear window and rear door windows



Sport exhaust with dual-branch oval twin tailpipes in high-gloss black



21" x 9J '5-double-spoke' black alloy wheels with optional Ceramic brakes (PC5)



S8 plus interior with optional Carbon inlay with red thread



Image shows S8 plus with optional Floret silver, matt-effect paint (8W), Ceramic brakes (PC5) and Carbon Styling Pack (5J1 and 6FQ)

# W12 long wheelbase model equipment

## In addition to long wheelbase SE Executive model equipment

### Wheels, tyres and suspension

19" x 9J '15-spoke Y' design partly-polished alloy wheels with 255/45 R19 tyres

### Audio and communication

**Mobile telephone preparation – High with Audi Connect.** A mobile phone can be connected to the internal UMTS (3G) module via Bluetooth (provided the mobile telephone has SIM Access Profile), or alternatively through the additional SIM card reader. It is possible to transfer phone book entries to the car and manage call lists. Audi Connect features include:

- Navigation using Google Earth™ images and Google Street View™
- Destination entry via Google Maps™ or myAudi
- Online points-of-interest search and information services such as weather forecasts and the latest world news
- Audi traffic information online, which gives exact and accurate real-time forecasts of the traffic situation along the chosen route
- Wi-Fi hotspot in the car for convenient internet access using a mobile device (e.g. laptop or tablet)

Please see pages 76 and 101 for full information on Audi Connect services, including functionality and compatibility details

**BOSE® surround sound system.** Includes:

- 14 high-performance speakers including subwoofer
- Two tweeters and a centre speaker in dashboard
- Two bass modules with BOSE® Acoustic Wave speaker technology and two mid-range driver speakers in front doors
- Two mid-range drivers in doors and two tweeters in the B-pillars in rear doors
- A subwoofer and two surround sound speakers in parcel shelf
- 12-channel DSP amplifier with over 600 watt output, located in boot
- Surround sound reproduction from digital 5.1 recordings (DVD) and from stereo sources (CD, Radio, MP3) via the patented BOSE® Centerpoint 2 technology
- Speaker trim design with chromed plastic frames, protector and BOSE® logo

**CD/DVD changer** for 6 DVDs and/or CDs (MP3, WMA, AAC and WMV formats) located in the glovebox

**Car phone in centre armrest**

### Safety and security

**Audi Matrix LED headlights with LED rear lights and dynamic front and rear indicators.** Audi Matrix LED technology provides precise illumination of the road whilst reducing the risk of dazzling other road users. Using information from the vehicle's sensors, camera and MMI Navigation, Matrix LED calculates the appropriate lighting required and automatically dips or turns off individual lighting diodes, creating corridors of lights either side of the vehicle or the object in front of it. Includes dynamic front and rear indicators which sweep from inside to out. This helps to clearly identify not only that the vehicle is turning, but in which direction

**Audi parking system advanced with top view.** Aids parking and manoeuvring using four cameras. Cameras are mounted in the front grille, the handle of the boot lid and the housing of the two exterior mirrors. The driver can choose between different image representations in the MMI display, including a live 'bird's-eye view' image for parking



## Seats

**Individual electrically adjustable rear seats with memory function** (12-way adjustable) including:

- Electrically adjustable forwards and backwards including backrest angle
- Electrically adjustable upper backrest
- Pneumatic lumbar support with electric adjustment
- Comfort rear headrests with manually adjustable sides
- Front passenger seat adjustment from the rear

## Interior

**Extended leather package plus.** Fine Nappa leather with decorative stitching on:

- Door armrest
- Centre console
- Knee pads
- Airbag cover on steering wheel
- Bottom of door panels
- Door pockets
- Bottom of instrument panel including exterior of glove compartment
- Area surrounding the MMI

**Piano black inlays in unique W12 design**

**Alcantara package.** With headlining, A, B, C and D-pillars and parcel shelf in Alcantara

**Rear vanity mirror**

**Two additional rear reading lights**

**Illuminated door sill trims with W12 logo**

**Advanced key** – keyless entry allows the driver to keep the car key in their pocket or bag at all times. To unlock and open, simply lift the exterior door handle

## Exterior

**Laminated windscreen** with metal layer and viewing window for Vehicle Identification Number

**Side and rear window in laminated glass** (without privacy glass)



Image shows A8L W12 model in Mythos black, metallic (OE) with optional Adaptive Cruise Control (ACC) with Stop&Go function including Pre-sense Front (PCG)



## A8 SE Executive

| Engines         | Power | Transmissions     | CO <sub>2</sub> g/km* | Total RRP inc VAT <sup>^</sup> | Recommended OTR <sup>†</sup> |
|-----------------|-------|-------------------|-----------------------|--------------------------------|------------------------------|
| 3.0 TDI quattro | 262PS | 8-speed tiptronic | 149                   | £63,990.00                     | £64,820.00                   |
| 4.2 TDI quattro | 385PS | 8-speed tiptronic | 189                   | £74,290.00                     | £75,475.00                   |

## A8 Sport

| Engines         | Power | Transmissions     | CO <sub>2</sub> g/km* | Total RRP inc VAT <sup>^</sup> | Recommended OTR <sup>†</sup> |
|-----------------|-------|-------------------|-----------------------|--------------------------------|------------------------------|
| 3.0 TDI quattro | 262PS | 8-speed tiptronic | 155                   | £67,590.00                     | £68,460.00                   |
| 4.2 TDI quattro | 385PS | 8-speed tiptronic | 193                   | £77,890.00                     | £79,075.00                   |

## A8 Black Edition

| Engines         | Power | Transmissions     | CO <sub>2</sub> g/km* | Total RRP inc VAT <sup>^</sup> | Recommended OTR <sup>†</sup> |
|-----------------|-------|-------------------|-----------------------|--------------------------------|------------------------------|
| 3.0 TDI quattro | 262PS | 8-speed tiptronic | 157                   | £70,090.00                     | £70,960.00                   |
| 4.2 TDI quattro | 385PS | 8-speed tiptronic | 196                   | £80,390.00                     | £81,575.00                   |

## S8

| Engines          | Power | Transmissions     | CO <sub>2</sub> g/km* | Total RRP inc VAT <sup>^</sup> | Recommended OTR <sup>†</sup> |
|------------------|-------|-------------------|-----------------------|--------------------------------|------------------------------|
| 4.0 TFSI quattro | 520PS | 8-speed tiptronic | 216                   | £82,040.00                     | £83,375.00                   |

\*Please note: CO<sub>2</sub> emissions can change if a different size alloy is ordered onto the vehicle. This may also lead to a change to the VED amount payable. Please refer to pages 70-71, 94, 96 and 100 for more information. Values based on standard EU test figures for comparative purposes and may not reflect real driving results.

The maximum power output figures are quoted in PS (or Pferdestärke, which is the metric equivalent of brake horsepower). To convert to brake horsepower, divide the PS figure by 1.0139.

## S8 plus

| Engines          | Power | Transmissions     | CO <sub>2</sub> g/km* | Total RRP inc VAT <sup>^</sup> | Recommended OTR <sup>†</sup> |
|------------------|-------|-------------------|-----------------------|--------------------------------|------------------------------|
| 4.0 TFSI quattro | 605PS | 8-speed tiptronic | 231                   | £98,125.00                     | £99,695.00                   |

## A8L SE Executive

| Engines         | Power | Transmissions     | CO <sub>2</sub> g/km* | Total RRP inc VAT <sup>^</sup> | Recommended OTR <sup>†</sup> |
|-----------------|-------|-------------------|-----------------------|--------------------------------|------------------------------|
| 3.0 TDI quattro | 262PS | 8-speed tiptronic | 153                   | £67,955.00                     | £68,825.00                   |
| 4.2 TDI quattro | 385PS | 8-speed tiptronic | 190                   | £78,255.00                     | £79,440.00                   |

## A8L W12

| Engines | Power | Transmissions     | CO <sub>2</sub> g/km* | Total RRP inc VAT <sup>^</sup> | Recommended OTR <sup>†</sup> |
|---------|-------|-------------------|-----------------------|--------------------------------|------------------------------|
| 6.3 W12 | 500PS | 8-speed tiptronic | 254                   | £98,995.00                     | £100,565.00                  |

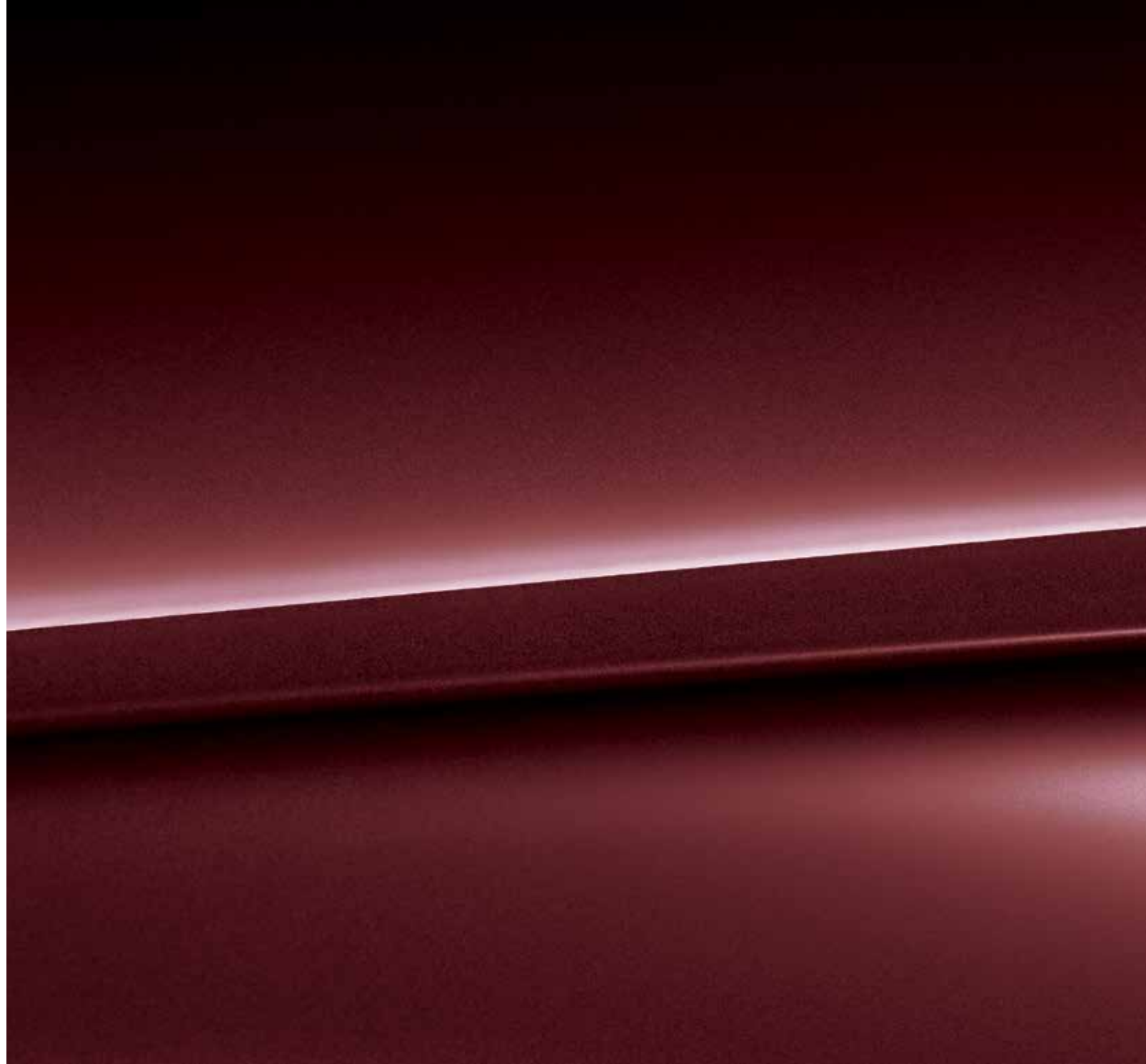
<sup>^</sup>Total RRP inc VAT – Recommended Retail Price including VAT which is calculated at 20%. This may alter to reflect any change in the applicable VAT rate.

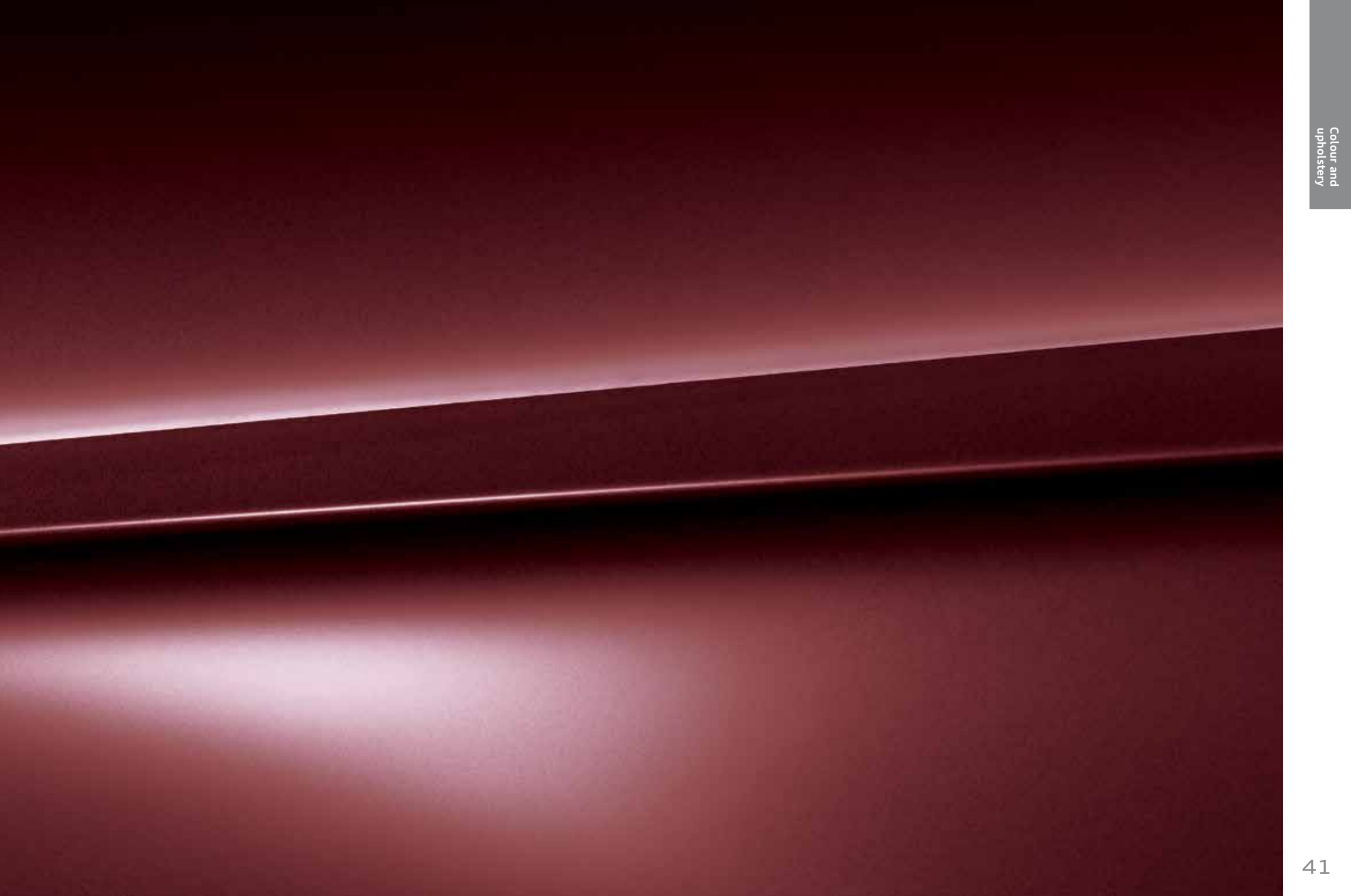
<sup>†</sup>Recommended On-The-Road (OTR) retail prices include: delivery charge, half a tank of fuel, number plates at £630.00 (inc. VAT), Road Fund Licence (which may vary depending on model/transmission – see page 100 for details) and first registration fee at £55.00. Vehicle Excise Duty correct at time of going to print, but this may alter to reflect any change in the applicable VED rate.



# Paint

We believe that every part of your car should have a personal touch. Which is why you can choose from a wide range of paint colours, from solid shades to metallic and pearl-effect finishes.



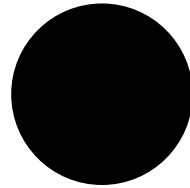




# Paint

You can either select one of the colours shown opposite or an Audi exclusive range colour.

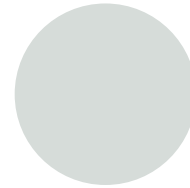
## Standard colours



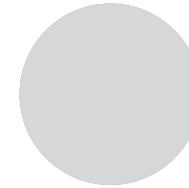
Brilliant black - A2



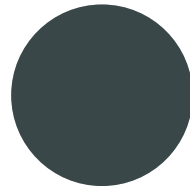
Ibis white - T9



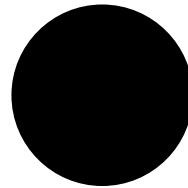
Glacier white, metallic - 2Y



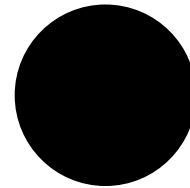
Floret silver, metallic - L5



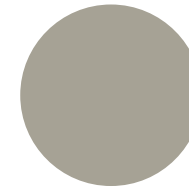
Monsoon grey, metallic - 0C



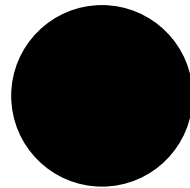
Oolong grey, metallic - 4N



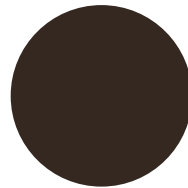
Havanna black, metallic - 4J



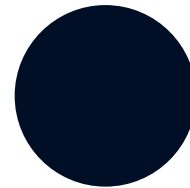
Cuvée silver, metallic - 0D



Mythos black, metallic - 0E

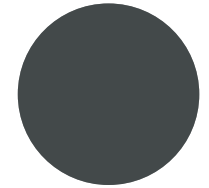


Argus brown, metallic - W3



Moonlight blue, metallic - W1

## S8 colours



Daytona grey, pearl effect - 6Y

Options are subject to availability and may extend time taken for delivery.

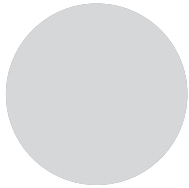
All the colour swatches on this page are matched as accurately as possible to the actual paint colours used. However, due to print processes, Audi UK cannot guarantee that colours shown are 100% accurate.

Visit your local Audi Centre for a more accurate colour swatch.

\*Total RRP inc VAT - Recommended Retail Price including VAT which is calculated at 20%. This may alter to reflect any change in the applicable VAT rate.

**Standard colours**  
**Total RRP inc VAT\***  
£0.00

## S8 plus colour



Floret silver, matt paint – 8W

### Matt colour

**Total RRP inc VAT<sup>†</sup>**  
£4,995.00

# Paint

## Audi exclusive

Everyone has a favourite colour. No matter what yours is, Audi exclusive provides a range of unique colours that have been designed to set your car apart. Choose from the swatches here, or specify any other paint colour in the Audi range. The choice is yours.\*

## Customised

If you have a particular colour in mind, we'll mix the exact metallic or pearl-effect shade you want.\*\*

Options are subject to availability and may extend time taken for delivery.

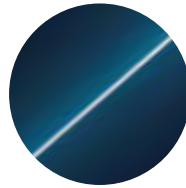
\*Audi exclusive paint is subject to factory approval. Visit your local Audi Centre for colour samples.

\*\*Customised paint is subject to factory approval, and is available for metallic and pearl-effect water-based paints only. Three-colour process colours and two-tone schemes are not available.

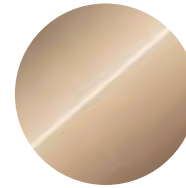
All the colour swatches on this page are matched as accurately as possible to the actual paint colours used. However, due to print processes, Audi UK cannot guarantee that colours shown are 100% accurate.

Visit your local Audi Centre for a more accurate colour swatch.

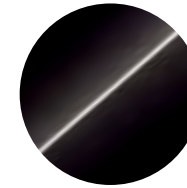
<sup>†</sup>Total RRP inc VAT – Recommended Retail Price including VAT which is calculated at 20%. This may alter to reflect any change in the applicable VAT rate.



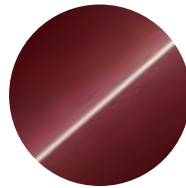
Palace blue, pearl effect



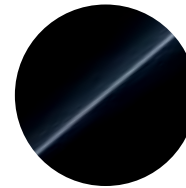
Sand beige, pearl effect



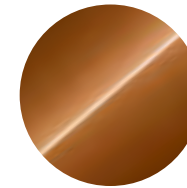
Saddle brown, pearl effect



Classic red, pearl effect



Mamba black, metallic



Ipanema brown, metallic



Any colour in the Audi range or 100 exclusive colours to choose from\*

### Audi exclusive\*

**Total RRP inc VAT<sup>†</sup>**  
£1,500.00



Customised paint\*\*

### Customised\*\*

**Total RRP inc VAT<sup>†</sup>**  
£2,000.00

## Upholstery

It's important to feel comfortable on the road. Just choose from our range of luxury upholstery materials and textures, including additional support and colour options, for complete relaxation while you drive.









# Upholstery and seats

## Comfort seats and upholstery

Comfort front seats come with memory function and can be adjusted 22 ways. They come with electrically adjustable upper backrest, seat cushion depth and comfort headrests. You'll also benefit from pneumatic lumbar support and pneumatic side bolster adjustment.

Comfort Sport seats benefit from an additional storage compartment on the rear of the seat.

Please note that seats in Valcona leather, when ordered with seat ventilation, will be perforated.



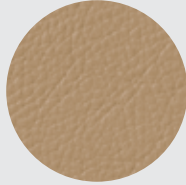

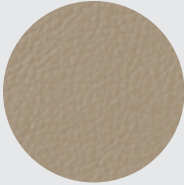


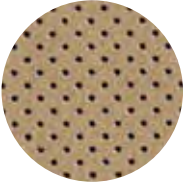
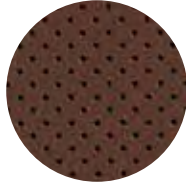
Options are subject to availability and may extend time taken for delivery.

- = Not available
- = Available
- S = Standard

All the colour swatches on this page are matched as accurately as possible to the actual upholstery colours used. However, due to print processes, Audi UK cannot guarantee that colours shown are 100% accurate.

\*Only in combination with ventilated seats (4D1, 4D2, 4D3 or 4D5).

\*Total RRP inc VAT – Recommended Retail Price including VAT which is calculated at 20%. This may alter to reflect any change in the applicable VAT rate.

|                  | SE Executive  | Sport  | Black Edition   | SE Executive L | S8 | S8 plus | W12 | Total RRP inc VAT <sup>†</sup> |
|------------------|---|--|---|----------------|----|---------|-----|--------------------------------|
| Valcona leather  |  |  |  |                |    |         |     |                                |
|                  | Black – FZ  | Titanium grey – KN   | Velvet beige – KP   |                |    |         |     |                                |
|                  |  |  |  |                |    |         |     |                                |
|                  | Nougat brown – RZ   | Atlas beige – IQ   | Nutmeg brown – IP   |                |    |         |     |                                |
|                  |  |  |  |                |    |         |     |                                |
|                  | Black – FZ  | Velvet beige – KP  | Nougat brown – RZ   |                |    |         |     |                                |
| Natural leather* | •   | •  | •   | •              | •  | •       | •   | £410.00                        |



Comfort seats (PS8)



Comfort Sport seats (PS1)

# Upholstery and seats

## Comfort Sport seats and upholstery

Comfort front Sport seats come with memory function and can be adjusted 22 ways. They come in stitched diamond design with perforated leather seat centre panels, along with electrically adjustable upper backrest, seat cushion depth and comfort headrests. You'll also benefit from pneumatic lumbar support and pneumatic side bolster adjustment.

Comfort Sport seats benefit from an additional storage compartment on the rear of the seat.

Options are subject to availability and may extend time taken for delivery.

- = Not available
- = Available
- S = Standard

All the colour swatches on this page are matched as accurately as possible to the actual upholstery colours used. However, due to print processes, Audi UK cannot guarantee that colours shown are 100% accurate.

\*For W12, only in combination with Rear Sport seat package (YSB) and Front and outer rear seat ventilation (4D1) or Front and rear seat ventilation and massage function (4D2).


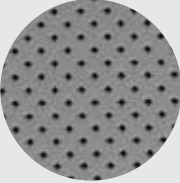
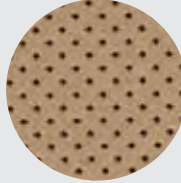

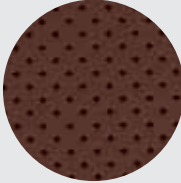
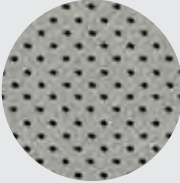

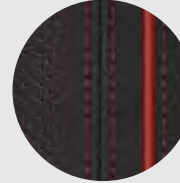
\*\*Only available on S8 and S8 plus.

\*\*\*Only available on S8 plus.

^Only available on S8 in combination with Design selection package (PET).

\*Total RRP inc VAT - Recommended Retail Price including VAT which is calculated at 20%. This may alter to reflect any change in the applicable VAT rate.

Perforated Valcona leather\*

|   | SE Executive | Sport | Black Edition | SE Executive L | S8 | S8 plus | W12 | Total RRP inc VAT <sup>†</sup> |
|---|--------------|-------|---------------|----------------|----|---------|-----|--------------------------------|
|  <p>Black - FZ</p>  <p>Titanium grey - KN</p>  <p>Velvet beige - KP</p>  <p>Nutmeg brown - IP</p>                          | •            | -     | -             | •              | -  | -       | -   | £205.00                        |
|  <p>Nougat brown - RZ</p>  <p>Lunar silver - KX**</p>  <p>Vermont brown - IT^</p>  <p>Black with red stitching - JR***</p> | -            | S     | S             | -              | S  | S       | •   | £0.00                          |



Comfort seats (PS8) with individual electrically adjustable outer rear seats (PE6) and seat ventilation, front and outer rear (4D1)



# Upholstery and seats

## Seating options

If you choose Comfort seats or Comfort Sport seats, you can take advantage of the luxurious options opposite.

Options are subject to availability and may extend time taken for delivery.

- = Not available  
• = Available  
S = Standard

\*Please note that order code YSB must be added with Comfort front Sport seats (PS1) when ordering a rear seat package (PE6 or PE2).

\*\*Not available in combination with PE6.

\*Total RRP inc VAT – Recommended Retail Price including VAT which is calculated at 20%. This may alter to reflect any change in the applicable VAT rate.

| Order Code |   | SE Executive | Sport | Black Edition | SE Executive L | S8 | S8 plus | W12 | Total RRP inc VAT <sup>†</sup> |
|------------|---|--------------|-------|---------------|----------------|----|---------|-----|--------------------------------|
| 4A4        | <b>Heated outer rear seats</b>  | •            | •     | •             | S              | •  | •       | S   | £350.00                        |
| 4D3        | <b>Seat ventilation, front.</b> Ventilation of the centre section of front seats, adjustable to three levels. Please note: to allow for seat ventilation, the leather of the seat centre panels is perforated. Not available in combination with Premium comfort package (WB4/WK8)  | •            | •     | •             | •              | •  | •       | •   | £765.00                        |
| 4D1        | <b>Seat ventilation, front and outer rear.</b> Ventilation of the centre section of front seats and outer rear seats, adjustable to three levels. Only in combination with individual electrically adjustable rear seats (PE6 or PE6/YSB*). Please note: to allow for seat ventilation, the leather of the seat centre panels is perforated   | •            | •     | •             | •              | •  | •       | •   | £1,530.00                      |
| 4D7        | <b>Massage seats, front.</b> Massage function for front passengers, with five massage programs adjustable to three different intensities. Not available in combination with the Premium comfort package (WB4/WK8)   | •            | •     | •             | •              | •  | •       | •   | £870.00                        |
| 4D4        | <b>Massage seats, front and outer rear.</b> Massage function for front passengers, with five massage programs adjustable to three different intensities. Massage function for outer rear passengers, with two massage programs adjustable to three different intensities. Only in combination with individual electrically adjustable rear seats (PE6). Not available in combination with Comfort Sport seats (PS1) or Premium comfort package (WB4/WK8)  | •            | •     | •             | •              | •  | •       | •   | £1,530.00                      |
| 4D5        | <b>Seat ventilation and massage function for front seats.**</b> Ventilation of the centre section of front seats, adjustable to three levels. Massage function for front passengers, with five massage programs adjustable to three different intensities. Please note: to allow for seat ventilation, the leather of the seat centre panels is perforated. Not available in combination with the Premium comfort package (WB4/WK8)   | •            | •     | •             | •              | •  | •       | •   | £1,635.00                      |
| 4D2        | <b>Seat ventilation and massage function for front and outer rear seats.</b> Ventilation of the centre section of front seats and outer rear seats, adjustable to three levels. Massage function for front passengers, with five massage programs adjustable to three different intensities. Massage function for outer rear passengers, with two massage programs adjustable to three different intensities. Operated by the control panel in the rear centre armrest. Only in combination with individual electrically adjustable rear seats (PE6 or PE6/YSB*). Please note: to allow for seat ventilation, the leather of the seat centre panels is perforated | •            | •     | •             | •              | •  | •       | •   | £3,060.00                      |
|            | In combination with Premium comfort package (WB4/WK8)   | -            | -     | -             | •              | -  | -       | -   | £1,530.00                      |
|            | In combination with Audi design selection (PEX/PEZ/PET)   | •            | •     | -             | •              | •  | -       | •   | £1,425.00                      |
|            | <b>Individual electrically adjustable outer rear seats.* Including:</b>   | -            | -     | -             | -              | •  | •       | -   | £4,700.00                      |
|            | - Separate electrically adjustable outer rear seats (SZ1)   |              |       |               |                |    |         |     |                                |
|            | - Electrically adjustable forward/backwards positioning, including backrest angle   |              |       |               |                |    |         |     |                                |
|            | - Electrically adjustable upper backrest  |              |       |               |                |    |         |     |                                |
|            | - Comfort rear headrests (VA2)  | •            | •     | •             | -              | -  | -       | -   | £4,445.00                      |
|            | - Memory function for each outer seat   |              |       |               |                |    |         |     |                                |
|            | - Front passenger seat adjustment from the rear (4V1)   |              |       |               |                |    |         |     |                                |
|            | - Power adjustable lumbar support in front seats and outer rear seats (7P3)   |              |       |               |                |    |         |     |                                |
| PE6        | - Seat heating for front seats and outer rear seats (4A4)   | -            | -     | -             | •              | -  | -       | -   | £1,750.00                      |
|            | - 4-zone automatic air conditioning (9AH)   |              |       |               |                |    |         |     |                                |
|            | - Electrically operated roll-up sunblinds for rear window and for rear door windows (3Y8)   |              |       |               |                |    |         |     |                                |
|            | If Comfort Sport seats (PS1) are selected, seat ventilation, front and outer rear (4D1) or seat ventilation and massage function for front and outer rear seats (4D2), or Audi design selection (PEX/PEZ) must also be selected   | -            | -     | -             | -              | -  | -       | S   | £0.00                          |

# Upholstery and seats

## Seating options

| Order Code |  | SE Executive | Sport | Black Edition | SE Executive L | S8 | S8 plus | W12 | Total RRP inc VAT <sup>†</sup> |
|------------|--|--------------|-------|---------------|----------------|----|---------|-----|--------------------------------|
| VA2        | <b>Comfort headrests for rear seats</b> with manually adjustable sides to provide more support and increased comfort   | S            | S     | S             | S              | ●  | ●       | S   | £255.00                        |
|            | <b>Rear seat package – two individual rear seats with reclining seat and footrest*</b>   |              |       |               |                |    |         |     |                                |
|            | - Comfort rear headrests (VA2)   | -            | -     | -             | ●              | -  | -       | -   | £9,805.00                      |
|            | - Front passenger seat adjustment from rear (4V1)  |              |       |               |                |    |         |     |                                |
|            | - Electrically adjustable lumbar support for outer rear seats (7P3)  |              |       |               |                |    |         |     |                                |
| PE2        | - Two individual rear seats 12-way electrically adjustable with reclining seat and footrest (5Z2). Please note the reclining seat with footrest is the rear seat behind the front passenger. The footrest will replace the storage compartment on the rear of the front seat | -            | -     | -             | ●              | -  | -       | -   | £8,055.00                      |
|            | - Rear Seat Entertainment (9WP)  |              |       |               |                |    |         |     |                                |
|            | - Continuous centre console  |              |       |               |                |    |         |     |                                |
|            | Must be combined with Extended leather package (7HB), seat ventilation and massage function for front and rear seats (4D2), 230V socket (9Z3) and BOSE® surround sound system (8RY) or Bang & Olufsen Advanced Sound System (8RF)  | -            | -     | -             | -              | -  | -       | ●   | £7,360.00                      |

Options are subject to availability and may extend time taken for delivery.

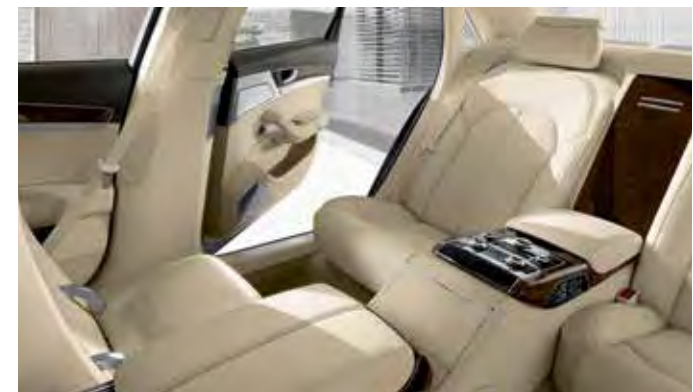
- = Not available
- = Available
- S = Standard

\*Please note that order code YSB must be added with Comfort front Sport seats (PS1) when ordering a rear seat package (PE6 or PE2).

<sup>†</sup>Total RRP inc VAT – Recommended Retail Price including VAT which is calculated at 20%. This may alter to reflect any change in the applicable VAT rate.



Rear seat package – two individual rear seats with reclining seat and footrest



Rear seat package – two individual rear seats with reclining seat and footrest

# Colour and trim guide

## Interior trim colours

To help you choose the right interior for your new Audi A8, please use this guide, showing the carpet, dashboard and headlining colours that have been matched to your chosen upholstery.

For pricing information please refer to pages 46, 48 and 54-55.

|                                 | FZ           | IP           | IQ          | KN            | KP           | RZ           | KX <sup>+</sup> | JR <sup>^</sup> | IT <sup>***</sup>       | IS <sup>+</sup> | KS <sup>*</sup> |
|---------------------------------|--------------|--------------|-------------|---------------|--------------|--------------|-----------------|-----------------|-------------------------|-----------------|-----------------|
| Seat upholstery                 | Black        | Nutmeg brown | Atlas beige | Titanium grey | Velvet beige | Nougat brown | Lunar silver    | Black           | Vermont brown           | Sycamore grey   | Balao brown     |
| Steering wheel, gear lever      | Black        | Black        | Mocca brown | Steel grey    | Moor brown   | Black        | Steel grey      | Black           | Black                   | Marble grey     | Mocca brown     |
| Top of dashboard                | Black        | Black        | Mocca brown | Steel grey    | Moor brown   | Black        | Steel grey      | Black           | Black                   | Marble grey     | Mocca brown     |
| Bottom of dashboard             | Black        | Black        | Atlas beige | Titanium grey | Velvet beige | Black        | Lunar silver    | Black           | Black                   | Sycamore grey   | Balao brown     |
| Centre console                  | Black        | Black        | Atlas beige | Titanium grey | Velvet beige | Black        | Lunar silver    | Black           | Black                   | Sycamore grey   | Balao brown     |
| Centre armrest (front and rear) | Black        | Nutmeg brown | Atlas beige | Titanium grey | Velvet beige | Nougat brown | Lunar silver    | Black           | Black/<br>Vermont brown | Sycamore grey   | Balao brown     |
| Door armrests                   | Black        | Black        | Atlas beige | Titanium grey | Velvet beige | Black        | Lunar silver    | Black           | Black                   | Sycamore grey   | Balao brown     |
| Top of door                     | Black        | Black        | Mocca brown | Steel grey    | Moor brown   | Black        | Steel grey      | Black           | Black                   | Marble grey     | Balao brown     |
| Door card                       | Black        | Black        | Atlas beige | Titanium grey | Velvet beige | Black        | Lunar silver    | Black           | Black                   | Sycamore grey   | Balao brown     |
| Carpet                          | Black        | Black        | Atlas beige | Titanium grey | Velvet beige | Black        | Titanium grey   | Black           | Black                   | Sycamore grey   | Balao brown     |
| Headlining                      | Lunar silver | Lunar silver | Atlas beige | Lunar silver  | Velvet beige | Lunar silver | Lunar silver    | Black           | Lunar silver            | Snow white      | Snow white      |
| Parcel shelf                    | Black        | Black        | Atlas beige | Titanium grey | Velvet beige | Black        | Lunar silver    | Black           | Black                   | Sycamore grey   | Balao brown     |
| Seat belts                      | Black        | Black        | Atlas beige | Titanium grey | Velvet beige | Black        | Titanium grey   | Black           | Black                   | Black           | Black           |

## Comfort seats

|                                    |   |   |   |   |   |   |   |   |   |   |   |
|------------------------------------|---|---|---|---|---|---|---|---|---|---|---|
| Valcona leather (N5D)              | ● | ● | ● | ● | ● | ● | — | — | — | — | — |
| Perforated Natural leather (N4K)   | ● | — | — | — | ● | ● | — | — | — | — | — |
| Perforated Valcona leather (N5D)   | ● | ● | ● | ● | ● | ● | — | — | — | — | — |
| Design package Balao brown (PEZ)   | — | — | — | — | — | — | — | — | — | — | ● |
| Design package Sycamore grey (PEX) | — | — | — | — | — | — | — | — | — | ● | — |

## Comfort Sport seats

|                                    |   |   |   |   |   |   |   |   |   |   |   |
|------------------------------------|---|---|---|---|---|---|---|---|---|---|---|
| Perforated Valcona leather (N5D)   | ● | ● | — | ● | ● | ● | ● | ● | — | — | — |
| Design package Vermont brown (PET) | — | — | — | — | — | — | — | — | ● | — | — |

Options are subject to availability and may extend time taken for delivery.

— = Not available  
● = Available  
S = Standard

<sup>+</sup>Only available on S8.

<sup>\*</sup>See page 54 for more information.

<sup>\*\*</sup>See page 55 for more information.

<sup>^</sup>Please note JR interior is only available on S8 plus and comes with red contrast stitching on the seats, steering wheel, dashboard, armrests, centre console and door inserts.



Comfort seats with seat ventilation, with optional front and outer rear (4D1) in Valcona leather



# Audi design selection

Audi design selection packages together a range of features, colours and materials. From 22-way adjustable Comfort front seats to four-zone automatic air-conditioning.

| Order Code | SE Executive  | Sport | Black Edition | SE Executive L | S8 | S8 plus | W12 | Total RRP inc VAT <sup>†</sup> |
|------------|---|-------|---------------|----------------|----|---------|-----|--------------------------------|
| <b>PEZ</b> | <b>Audi design selection Balao brown</b> – an exclusive combination of exquisite interior colours, materials and equipment. The package includes:<br>- 22-way adjustable Comfort front seats (Q2J) with memory function (3PR)<br>- Seats in Valcona leather (N5D) with Comfort rear headrests (VA2) in Balao brown with Snow white accordion pleat, piping and contrasting stitching<br>- Headlining in Snow white Alcantara (6NN)<br>- Parcel shelf in Balao brown Alcantara<br>- Top of dashboard in Mocca brown with Snow white/Mocca brown contrast stitching<br>- Lower dashboard in Balao brown |       |               |                |    |         |     |                                |
|            | ●   | ●     | –             | –              | –  | –       | –   | £12,365.00                     |
|            | –   | –     | –             | ●              | –  | –       | –   | £11,140.00                     |
| <b>PEZ</b> | - Upper inlays in Fine grain ash, natural Balsamic brown (7TK)<br>- Lower inlays in brushed aluminium, silver (GT4)<br>- Heated front and outer rear seats (4A4)<br>- Ventilation and massage function for front seats (4D5)<br>- Deluxe 4-zone climate control (9AH)<br>- Electric sunblinds for rear window and for rear door windows (3Y8)<br>- Design selection badge in doors<br>- Leather package advanced (7HD)<br>Only available in combination with leather gear selector lever (6Q2) on S8  |       |               |                |    |         |     |                                |
|            | –   | –     | –             | –              | ●  | –       | ●   | £7,660.00                      |
|            | –   | –     | –             | –              | –  | –       | –   | £11,140.00                     |
| <b>PEX</b> | <b>Audi design selection Sycamore grey</b> – an exclusive combination of exquisite interior colours, materials and equipment. The package includes:<br>- 22-way adjustable Comfort front seats (Q2J) with memory function (3PR)<br>- Seats in Valcona leather (N5D) with Comfort rear headrests (VA2) in Sycamore grey with Brass gold accordion pleat, piping and contrasting stitching<br>- Headlining in Snow white Alcantara (6NN)<br>- Parcel shelf in Sycamore grey Alcantara<br>- Top of dashboard in Marble grey with Brass gold contrast stitching<br>- Lower dashboard in Sycamore grey     |       |               |                |    |         |     |                                |
|            | ●   | ●     | –             | –              | –  | –       | –   | £12,365.00                     |
|            | –   | –     | –             | ●              | –  | –       | –   | £11,140.00                     |
| <b>PEX</b> | - Upper inlays in Fine grain ash, Pearl grey natural (5M)<br>- Lower inlays in brushed aluminium, silver (GT4)<br>- Heated front and outer rear seats (4A4)<br>- Ventilation and massage function for front seats (4D5)<br>- Deluxe 4-zone climate control (9AH)<br>- Electric sunblinds for rear window and for rear door windows (3Y8)<br>- Design selection badge in doors<br>- Leather package advanced (7HD)<br>Only available in combination with leather gear selector lever (6Q2) on S8   |       |               |                |    |         |     |                                |
|            | –   | –     | –             | –              | ●  | –       | ●   | £7,660.00                      |
|            | –   | –     | –             | –              | –  | –       | –   | £11,140.00                     |

Options are subject to availability and may extend time taken for delivery.

– = Not available  
● = Available  
S = Standard

<sup>†</sup>Total RRP inc VAT – Recommended Retail Price including VAT which is calculated at 20%. This may alter to reflect any change in the applicable VAT rate.

# Audi design selection

| Order Code | SE Executive | Sport | Black Edition | SE Executive L | S8 | S8 plus | W12 | Total RRP inc VAT* |
|------------|--------------|-------|---------------|----------------|----|---------|-----|--------------------|
| <b>PET</b> | -            | -     | -             | -              | •  | -       | -   | £7,660.00          |

**Audi design selection Vermont brown** – an exclusive combination of exquisite interior colours, materials and equipment. The package includes:

- 22-way adjustable Comfort Sport seats (Q1D) with memory function (3PR)
- Seats in Valcona leather (N5D) with comfort rear headrests (VA2) in Vermont brown with Lunar silver accordion pleat, piping and contrasting stitching
- Headlining in Lunar silver Alcantara (6NN)
- Parcel shelf in Black Alcantara
- Top of dashboard in Black with black stitching
- Lower dashboard in Black with black stitching

Added as a no-cost option:

- Leather package advanced (7HD)

Options are subject to availability and may extend time taken for delivery.

- = Not available
- = Available
- S = Standard

\*Total RRP inc VAT – Recommended Retail Price including VAT which is calculated at 20%. This may alter to reflect any change in the applicable VAT rate.



Audi design selection Sycamore grey (PEX)



Audi design selection Balao brown (PEZ)

# Interior design

We've created a range of options so that you can tailor your Audi A8's interior.

| Order Code |  | SE Executive | Sport | Black Edition | SE Executive L | S8 | S8 plus | W12 | Total RRP inc VAT <sup>†</sup> |
|------------|--|--------------|-------|---------------|----------------|----|---------|-----|--------------------------------|
| <b>7HB</b> | <b>Extended leather package</b> – Fine Nappa leather with decorative stitching on: door armrest, centre console, knee pads and airbag cover on steering wheel  | ●            | ●     | ●             | ●              | –  | –       | –   | £1,020.00                      |
| <b>7HC</b> | <b>Extended leather package plus</b> – in addition to leather package (7HB), Fine Nappa leather with decorative stitching on: bottom of door panels, door pockets, bottom of instrument panel including exterior of glove compartment and area surrounding the MMI | ●            | ●     | ●             | ●              | S  | –       | S   | £2,195.00                      |
| <b>PL4</b> | <b>Black Alcantara package</b> – the following items in Black Alcantara: headlining, A, B, C and D-pillars, parcel shelf   | ●            | ●     | ●             | ●              | –  | –       | –   | £1,530.00                      |
|            |  | –            | –     | –             | –              | ●  | S       | ●   | £0.00                          |
| <b>PL7</b> | <b>Alcantara package</b> – the following items are in Alcantara to match chosen colours: headlining, A, B, C and D-pillars, parcel shelf   | ●            | ●     | ●             | ●              | –  | –       | –   | £1,530.00                      |
|            |  | –            | –     | –             | –              | S  | ●       | S   | £0.00                          |
| <b>6NQ</b> | <b>Cloth headlining – black</b>  | ●            | ●     | ●             | ●              | –  | –       | –   | £315.00                        |
|            |  | –            | –     | –             | –              | ●  | –       | –   | £0.00                          |

Options are subject to availability and may extend time taken for delivery.

– = Not available  
 ● = Available  
 S = Standard

<sup>†</sup>Total RRP inc VAT – Recommended Retail Price including VAT which is calculated at 20%. This may alter to reflect any change in the applicable VAT rate.



Audi exclusive inlays (YTA) and Audi exclusive gear selector lever (YTD) in Oak, sepia



## Audi exclusive

Audi exclusive enables you to create an Audi that's unique to you, with precisely the colours, finishes and interior detailing you want. You can customise as much or as little as you like, specify just one detail or design your car's overall appearance. It's entirely up to you.

Leather and stitching colours, inlays and carpets can all be tailored, and with hundreds of possible paint combinations we're sure to find the exterior colour you have in mind.





# Upholstery

## Audi exclusive

With Audi exclusive, you can specify your seats and any other Audi exclusive options in an array of different colours shown here, as well as black.

Select just one all-over shade for each seat, or customise each panel in two or more complementary colours from the distinctive Audi exclusive palette. You can even choose the colour of the decorative stitching – to match or contrast with your chosen upholstery.\* Whatever combination you decide upon, we think you'll be extremely satisfied with the result.

Options are subject to availability and may extend time taken for delivery.

**Alcantara:** available in all the Audi exclusive colours shown, except for Crimson red, Jet grey and Sand beige. Alcantara equivalents are Chilli red, Amethyst grey and Sesame beige respectively.

**Dashboard:** available in Havanna brown, Saddle brown, Chestnut brown, Cognac brown, Classic red, Crimson red, Jet grey, Night blue, Smoky blue and Iceland green.

All the colour swatches on this page are matched as accurately as possible to the actual upholstery colours used. However, due to print processes, Audi UK cannot guarantee that colours shown are 100% accurate.

Please consult your Audi Centre for examples of Alcantara and carpet colours.

\*Due to safety considerations, contrast stitching is not available on the dashboard/windscreen side.



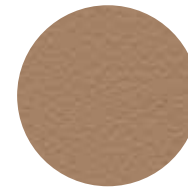
Chestnut brown



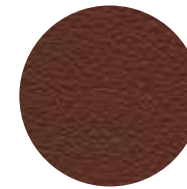
Jet grey



Alabaster white



Sand beige



Saddle brown



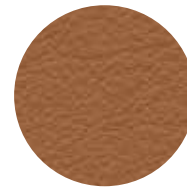
Crimson red



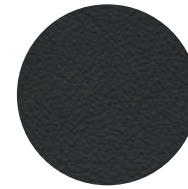
Magnolia white



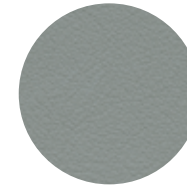
Havanna brown



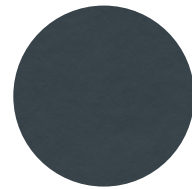
Cognac brown



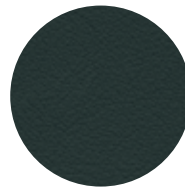
Night blue



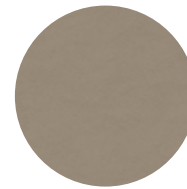
Cloudy grey



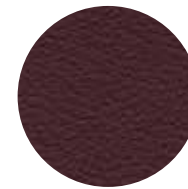
Smoky blue



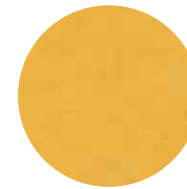
Iceland green



Powder beige



Classic red



Calendula yellow



Audi exclusive leather package 1



Audi exclusive leather package 2



# Upholstery

## Audi exclusive

| Order Code                 |  | SE Executive | Sport | Black Edition | SE Executive L | S8 | S8 plus | W12 | Total RRP inc VAT <sup>†</sup> |
|----------------------------|--|--------------|-------|---------------|----------------|----|---------|-----|--------------------------------|
| <b>YZ1<br/>S3G</b>         | <b>Audi exclusive leather trim package 1 in Valcona leather.</b> Includes leather-covered seat upholstery, backrest covers, centre armrests, door trim inserts and piping. Seat side trims and add-on parts are colour-coordinated   | ●            | ●     | ●             | ●              | ●  | ●       | ●   | £5,795.00                      |
| <b>YZ2<br/>S3G</b>         | <b>Audi exclusive leather package 2 in Valcona leather.</b> Includes all the contents of leather package 1 (YZ1) plus: leather-covered centre console, knee pad and door armrests*   | ●            | ●     | ●             | ●              | ●  | ●       | ●   | £8,045.00                      |
| <b>YZ3<br/>S3G</b>         | <b>Audi exclusive leather package 3 in Valcona leather.</b> Includes all the contents of leather package 2 (YZ2) plus: leather-covered lower door trim and pockets, dashboard underside, glovebox and MMI trim panel*  | ●            | ●     | ●             | ●              | ●  | ●       | ●   | £12,025.00                     |
| <b>YZ4<br/>7HD<br/>S3G</b> | <b>Audi exclusive leather package 4 in Valcona leather.</b> Includes all the contents of leather package 3 (YZ3) plus: leather-covered steering wheel and column. Also includes extended leather package advanced with Fine Nappa leather and decorative stitching on top of door, instrument panel cover, front seat backrest cover, front seat bottom trim, dashboard wraparound, and front and rear headrest piping** | ●            | ●     | ●             | ●              | —  | —       | —   | £22,035.00                     |
|                            |  | —            | —     | —             | —              | ●  | —       | —   | £18,310.00                     |
|                            |  | —            | —     | —             | —              | —  | —       | ●   | £17,275.00                     |
|                            |  | —            | —     | —             | —              | —  | ●       | —   | £14,275.00                     |
|                            | In combination with Audi design selection (PEZ/PEX/PET)  | ●            | ●     | —             | ●              | ●  | —       | ●   | £14,275.00                     |

Options are subject to availability and may extend time taken for delivery.

- = Not available
- = Available
- S = Standard

\*Can only be ordered in combination with one of the leather packages (7HB/C/D).

\*\*Can only be ordered in combination with Alcantara headlining (PL4/7), and electric sunblinds for rear window and rear door windows (3YB).

<sup>†</sup>Total RRP inc VAT – Recommended Retail Price including VAT which is calculated at 20%. This may alter to reflect any change in the applicable VAT rate.



Audi exclusive leather package 3



Audi exclusive leather package 4



# Upholstery

## Audi exclusive interior options

| Order Code |  | SE Executive | Sport | Black Edition | SE Executive L | S8 | S8 plus | W12 | Total RRP inc VAT <sup>†</sup> |
|------------|--|--------------|-------|---------------|----------------|----|---------|-----|--------------------------------|
| YTO<br>S3G | Audi exclusive seat belts*   | ●            | ●     | ●             | ●              | ●  | ●       | ●   | £1,635.00                      |
| YSQ<br>S3G | Audi exclusive carpet and floor mats** – with leather piping, front and rear   | ●            | ●     | ●             | ●              | ●  | ●       | ●   | £2,145.00                      |
| YVX<br>S3G | Audi exclusive personalised door sill trims. Door sill trims in front and rear can be personalised with lettering. Contact your local Audi Centre for more details | ●            | ●     | ●             | ●              | ●  | ●       | ●   | £2,700.00                      |

Options are subject to availability and may extend time taken for delivery.

– = Not available  
● = Available  
S = Standard

\*Leather, headlining and stitching (where applicable) can be specified from the Audi exclusive colours on page 60.

\*\*The carpet colour can also be selected from any of the Audi exclusive colours.

Function elements such as backrest adjusters or seat adjusting levers come in the colour of the interior equipment code ordered.

<sup>†</sup>Total RRP inc VAT – Recommended Retail Price including VAT which is calculated at 20%. This may alter to reflect any change in the applicable VAT rate.



Audi exclusive carpet, including floor mats



Audi exclusive personalised door sill trims



Comfort Sport seats (PS1) and Rear seat package (PE2) with Audi exclusive leather package 4 (YZ4) in Magnolia white and Chestnut brown

## Inlays

Attention to detail can make a big impact. From contemporary Piano black finish to Fine grain ash, our selection of inlays make the perfect finishing touch to your car's interior.









# Inlays

Inlays are the all-important finishing touch that add flair and interest to your car's interior, available in a variety of textures and finishes.

| Order Code |  | SE Executive | Sport | Black Edition | SE Executive L | S8 | S8 plus | W12*** | Total RRP inc VAT† |
|------------|--|--------------|-------|---------------|----------------|----|---------|--------|--------------------|
| 5MG        | Upper inlays – Walnut, dark brown                  | S            | S     | –             | S              | –  | –       | –      | £0.00              |
| 5TF        | Upper inlays – Fine grain birch wood, pearl beige* | •            | •     | –             | •              | •  | –       | •      | £325.00            |
| 5TW        | Upper inlays – Vavona wood, assam grey*            | •            | •     | –             | •              | •  | –       | •      | £325.00            |
| 7TL        | Upper inlays – Fine grain ash, velvet brown*       | •            | •     | –             | •              | •  | –       | •      | £325.00            |
| 5MC        | Upper inlays – Fine grain ash, natural gold brown* | •            | •     | –             | •              | –  | –       | •      | £325.00            |
| 5MB        | Upper inlays – Poplar, brown silver*               | •            | •     | –             | •              | •  | –       | •      | £325.00            |
| 5TT        | Upper inlays – Piano finish, black*                | •            | •     | S             | •              | •  | •       | S      | £850.00            |
| 5MK        | Upper inlays – Carbon atlas                        | –            | –     | –             | –              | S  | S       | –      | £0.00              |
| 5TU        | Upper inlays – Carbon with red thread^             | –            | –     | –             | –              | –  | •       | –      | £0.00              |
| GT4        | Lower inlays – Brushed aluminium, silver**         | S            | S     | S             | S              | S  | S       | S      | £0.00              |
| GTO        | Lower inlays – Highly polished, black**            | –            | –     | –             | –              | •  | •       | –      | £0.00              |

Options are subject to availability and may extend time taken for delivery.

- = Not available
- = Available
- S = Standard

All the inlay swatches on this page are matched as accurately as possible to the actual inlay colours used. However, due to print processes, Audi UK cannot guarantee that colours shown are 100% accurate.

\*Only available in combination with leather gear lever (6Q2) or gear selector lever in wood or Piano black (6Q3) on S8.

\*\*Only available as a lower inlay.

\*\*\*On W12 models the available inlays have no additional charge.

^Only available on S8 plus in combination with interior JR and the gear selector lever in Piano black (6Q3).

†Total RRP inc VAT – Recommended Retail Price including VAT which is calculated at 20%. This may alter to reflect any change in the applicable VAT rate.

## Upper inlays



Walnut, dark brown – 5MG



Fine grain birch wood, pearl beige – 5TF



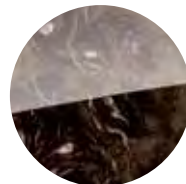
Vavona wood, assam grey – 5TW



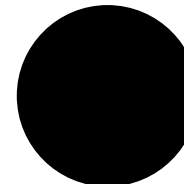
Fine grain ash, velvet brown – 7TL



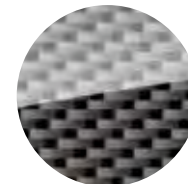
Fine grain ash, natural gold brown – 5MC



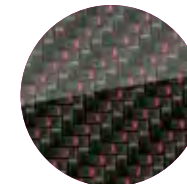
Poplar, brown silver – 5MB



Piano finish, black – 5TT



Carbon atlas – 5MK

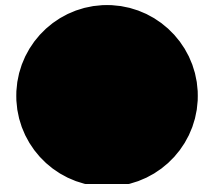


Carbon with red thread – 5TU

## Lower inlays



Brushed aluminium, silver – GT4



Highly polished, black – GTO

# Inlays

## Audi exclusive

Audi exclusive offers an alternative range of materials which you can select for your inlays, from Oak, sepia to Fine grain myrtle, nutmeg.

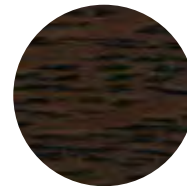
| Order Code |  | SE Executive | Sport | Black Edition | SE Executive L | S8 | S8 plus | W12 | Total RRP inc VAT <sup>†</sup> |
|------------|--|--------------|-------|---------------|----------------|----|---------|-----|--------------------------------|
| YTA S3G    | Audi exclusive inlays (cannot be combined with the inlays shown on page 66)* | ●            | ●     | —             | ●              | ●  | ●       | ●   | £1,840.00                      |



Fine grain myrtle, nutmeg



Fine grain ash, nougat



Oak, sepia



Vavona wood, bronze



Modrone wood, gold



Tamo ash, dark brown

Options are subject to availability and may extend time taken for delivery.

- = Not available
- = Available
- S = Standard

All the inlay swatches on this page are matched as accurately as possible to the actual inlays colours used. However, due to print processes, Audi UK cannot guarantee that colours shown are 100% accurate.

\*Only available in combination with leather gear selector lever (6Q2) on S8. SMG must also be added.

<sup>†</sup>Total RRP inc VAT – Recommended Retail Price including VAT which is calculated at 20%. This may alter to reflect any change in the applicable VAT rate.



Audi exclusive inlays in Oak, sepia



Audi exclusive inlays in Fine grain myrtle, nutmeg

## Options

Every driver has different needs, which is why we have developed some useful options to further enhance your car. For extra comfort, support, style or function, you can choose from a variety of additional features, tailoring everything from your infotainment and audio equipment to your wheels and lighting.







## Wheels, tyres and suspension

Choose a set of specially-selected alloy wheels to enhance the appearance of your Audi A8.



19" x 9J '5-arm'  
design alloy wheels - PRD



19" x 9J '10-spoke Y'  
design alloy wheels - PRC



19" x 9J '15-spoke Y'  
design alloy wheels - PRR



20" x 9J '10-parallel-spoke'  
design alloy wheels - PRK



20" x 9J '5-double-spoke'  
design alloy wheels - PQ8



20" x 9J '10-spoke' design  
aluminium alloy wheels - PRA



21" x 9J '5-triple-spoke' design  
alloy wheels - PRJ



21" x 9J '5-double-spoke'  
alloy wheels - PQ7



21" x 9J '5-double-spoke' titanium  
finish alloy wheels - PQ4

Options are subject to availability and may extend time taken for delivery.

Please note that choosing an optional wheel may affect the fuel consumption figures and the CO<sub>2</sub> emissions on your Audi A8. This may result in a change in the subsequent Vehicle Excise Duty payable. Please see pages 94, 96 and 100 for more details.

All alloy wheel images are matched as accurately as possible to the actual colour. However, due to print processes, Audi UK cannot guarantee that colours shown are 100% accurate.

# Wheels, tyres and suspension

| Order Code |  | SE Executive | Sport | Black Edition | SE Executive L | S8 | S8 plus | W12 | Total RRP inc VAT* |
|------------|--|--------------|-------|---------------|----------------|----|---------|-----|--------------------|
| <b>1G3</b> | <b>Full-sized spare alloy wheel with tyre.</b> Only in combination with 19" or 20" alloy wheels. Please note that the boot space is reduced with this option | -            | -     | -             | -              | -  | -       | ●   | £430.00            |
| <b>PRD</b> | <b>19" x 9J '5-arm' design alloy wheels</b> with 255/45 R19 tyres  | ●            | -     | -             | ●              | -  | -       | -   | £1,635.00          |
| <b>PRC</b> | <b>19" x 9J '10-spoke Y' design alloy wheels</b> with 255/45 R19 tyres   | ●            | -     | -             | ●              | -  | -       | -   | £1,635.00          |
|            |  | -            | -     | -             | -              | -  | -       | ●   | £0.00              |
| <b>PRR</b> | <b>19" x 9J '15-spoke Y' design alloy wheels</b> with 255/45 R19 tyres   | ●            | -     | -             | ●              | -  | -       | S   | £1,635.00          |
| <b>CS8</b> | <b>20" x 9J '5-parallel-spoke S' design alloy wheels</b> with 265/40 R20 tyres   | -            | -     | -             | -              | ●  | -       | -   | £0.00              |
|            |  | ●            | -     | -             | ●              | -  | -       | -   | £2,755.00          |
| <b>PRK</b> | <b>20" x 9J '10-parallel-spoke' design alloy wheels</b> with 265/40 R20 tyres  | -            | -     | -             | -              | -  | -       | ●   | £1,120.00          |
|            |  | -            | ●     | -             | -              | -  | -       | -   | £725.00            |
|            |  | -            | -     | -             | -              | ●  | -       | -   | £1,470.00          |
| <b>PQ8</b> | <b>20" x 9J '5-double-spoke' design alloy wheels</b> with 265/40 R20 tyres   | -            | -     | -             | -              | -  | -       | ●   | £995.00            |
|            |  | -            | ●     | -             | -              | -  | -       | -   | £585.00            |
|            |  | ●            | -     | -             | ●              | -  | -       | -   | £2,800.00          |
| <b>PRA</b> | <b>20" x 9J '10-spoke' design aluminium alloy wheels</b> with 265/40 R20 tyres   | -            | -     | -             | -              | -  | -       | ●   | £1,165.00          |
|            |  | -            | ●     | -             | -              | -  | -       | -   | £725.00            |
| <b>PRJ</b> | <b>21" x 9J '5-triple-spoke' design alloy wheels</b> with 265/35 R21 tyres   | -            | -     | -             | -              | ●  | -       | -   | £1,565.00          |
| <b>PQ7</b> | <b>21" x 9J '5-double-spoke' alloy wheels</b> with 275/35 ZR21 tyres   | -            | -     | -             | -              | -  | ●       | -   | £0.00              |
| <b>PQ4</b> | <b>21" x 9J '5-double-spoke' titanium finish alloy wheels</b> with 275/35 ZR21 tyres   | -            | -     | -             | -              | -  | ●       | -   | £0.00              |

Options are subject to availability and may extend time taken for delivery.

- = Not available  
● = Available  
S = Standard

Please note that choosing an optional wheel may affect the fuel consumption figures and the CO<sub>2</sub> emissions on your Audi A8. This may result in a change in the subsequent Vehicle Excise Duty payable. Please see pages 94, 96 and 100 for more details.

\*Total RRP inc VAT – Recommended Retail Price including VAT which is calculated at 20%. This may alter to reflect any change in the applicable VAT rate.

# Suspension

| Order Code |   | SE Executive | Sport | Black Edition | SE Executive L | S8 | S8 plus | W12 | Total RRP inc VAT* |
|------------|---|--------------|-------|---------------|----------------|----|---------|-----|--------------------|
| PC5        | <b>Ceramic brakes.</b> 19" high-performance braking system with carbon fibre-reinforced ceramic brake discs in front and rear. Includes specially designed cooling ducts in the ventilated and perforated brake discs, brake calipers in high-gloss anthracite, and 'Audi ceramic' inscription to front calipers  | -            | -     | -             | -              | ●  | ●       | -   | £8,650.00          |
| 2MA        | <b>Sport air suspension with electronic shock absorption control</b> – stiffer damping. Vehicle height can be decreased by up to 10mm. Increased functionality through Audi Drive Select  | ●            | ●     | S             | -              | -  | -       | -   | £860.00            |
| GH2        | <b>quattro with Sport differential.</b> The electronically regulated Sport differential distributes variable amounts of driving force to each rear wheel, improving stability and agility especially when cornering. It ensures better direct steering characteristics and thanks to less steering effort, more agile handling. Standard on 4.2 TDI and S8 models | ●            | ●     | ●             | ●              | S  | S       | ●   | £1,175.00          |
| 1N8        | <b>Dynamic steering.</b> Improves handling and ride comfort whilst changing lanes, parking and cornering by dynamically adapting the steering to the driving situation. In addition to adapting the steering effort, the steering angle is also adapted (steering ratio). Supports vehicle stabilisation through the ESC  | ●            | ●     | ●             | ●              | S  | S       | ●   | £1,330.00          |
| PA3        | <b>Dynamic package</b> – includes ceramic brakes and top speed restriction removed to increase maximum speed to 189mph*   | -            | -     | -             | -              | -  | ●       | -   | £9,250.00          |

Options are subject to availability and may extend time taken for delivery.

- = Not available  
● = Available  
S = Standard

\*Where the law permits.

\*Total RRP inc VAT – Recommended Retail Price including VAT which is calculated at 20%. This may alter to reflect any change in the applicable VAT rate.





# Packages

The Audi Premium comfort package ensures enhanced interior comfort and ambience. Rear passengers benefit from electrically adjustable, ventilated rear seats with softer leather and cushion headrests.

A BOSE® surround sound system and TV tuner provide a powerful sound system and free-to-air TV when stationary.

| Order Code  | SE Executive | Sport | Black Edition | SE Executive L | S8 | S8 plus | W12 | Total RRP inc VAT* |
|---|--------------|-------|---------------|----------------|----|---------|-----|--------------------|
| <b>Premium comfort package.</b><br>The package includes the following items:<br>- Softer leather upholstery for outer rear seats<br>- Removable neck/head restraints for outer rear seats<br>- Seat ventilation for front and outer rear seats (4D1)<br>- TV reception (QU6)<br>- BOSE® surround sound system (8RY)   |              |       |               |                |    |         |     |                    |
| <b>WB4</b><br><b>WK8</b><br>Individual electrically adjustable outer rear seats. Including:<br>- Separate electrically adjustable outer rear seats (5Z1)<br>- Electrically adjustable forwards/backwards positioning, including backrest angle<br>- Electrically adjustable upper backrest<br>- Comfort rear headrests (VA2)<br>- Memory function for each outer seat<br>- Front passenger seat adjustment from the rear (4V1)<br>- Power adjustable lumbar support in front seats and outer rear seats (7P3)<br>Only available in combination with Black Valcona leather (FZ) or Nougat brown Valcona leather (RZ) | -            | -     | -             | •              | -  | -       | -   | £4,950.00          |

Options are subject to availability and may extend time taken for delivery.

- = Not available
- = Available
- S = Standard

\*Total RRP inc VAT - Recommended Retail Price including VAT which is calculated at 20%. This may alter to reflect any change in the applicable VAT rate.



BOSE® surround sound system (8RY)



Individual electrically adjustable outer rear seats



Individual electrically adjustable outer rear seats in Black Valcona leather (FZ)

# Audio and communication

Stay in touch using our range of advanced communication functions, and give each journey its own soundtrack with our audio equipment, including a Bang & Olufsen Advanced Sound System and Rear Seat Entertainment System.

| Order Code | SE Executive  | Sport | Black Edition | SE Executive L | S8 | S8 plus | W12 | Total RRP inc VAT* |
|------------|---|-------|---------------|----------------|----|---------|-----|--------------------|
| <b>QU6</b> | <b>TV reception – digital.</b> TV tuner for reception of ‘free-to-air’ TV channels. Picture display only possible on MMI screen when vehicle is stationary, audio available at all times. Reception dependent upon local digital network availability. Only in combination with BOSE® (8RY) or Bang & Olufsen (8RF) Sound Systems   |       |               |                |    |         |     | £1,000.00          |
| <b>6G0</b> | <b>CD/DVD changer for 6 DVDs and/or CDs (MP3, WMA, AAC and WMV formats)</b> located in the glovebox   |       |               |                |    |         |     | £415.00            |
| <b>8RY</b> | <b>BOSE® surround sound system</b><br>- 14 high-performance speakers:<br>- Dashboard – two tweeters and a centre speaker<br>- Front doors – two bass modules with BOSE® Acoustic Wave Speaker Technology and two mid-range speakers<br>- Rear doors – two mid-range speakers in doors and two tweeters in the B-pillars<br>- Parcel shelf – a subwoofer and two surround-sound speakers<br>- 12-channel DSP amplifier with over 600 watt output located in boot<br>- Surround-sound reproduction from digital 5.1 recordings (DVD) and from stereo sources (CD, Radio, MP3) via the patented BOSE® Centerpoint 2 technology (speaker trim design with chromed plastic frames, protector and BOSE® logo)   |       |               |                |    |         |     | £1,175.00          |
| <b>9ZW</b> | <b>Mobile telephone preparation* – High with Audi Connect.</b> A mobile phone can be connected to the internal UMTS (3G) module via Bluetooth (provided the mobile telephone has SIM Access Profile), or alternatively through the additional SIM card reader. It is possible to transfer phone book entries to the car and manage call lists. Audi Connect features include: navigation using Google Earth™ images and Google Street View™, destination entry via Google Maps™ or myAudi, online points-of-interest search and information services such as weather forecasts and the latest world news. Audi Connect also includes Audi traffic information online, which gives accurate real-time forecasts of the traffic situation along the chosen route. The traffic situation can be displayed on the navigation map or Google Earth™ image. Audi Connect can also create a Wi-Fi hotspot in the car for convenient internet access using a mobile device (e.g. laptop or tablet). Many Audi Connect features can be simply operated via MMI Navigation Plus, the multi-function steering wheel or the voice control system.<br><br>Please see page 101 for more information on Audi Connect services and compatibility details |       |               |                |    |         |     | £350.00            |
| <b>9ZW</b> | <b>Mobile telephone preparation* – High with Audi Connect and Bluetooth privacy handset located in front centre armrest.</b> The cordless handset allows passengers to make private calls, providing remote control of the telephone functions as well as a convenient SMS text message function. The handset is charged from a docking station integrated into the front centre armrest  |       |               |                |    |         |     | £830.00            |
| <b>QF2</b> |   |       |               |                |    |         |     | £480.00            |
| <b>9ZW</b> | <b>Mobile telephone preparation* – High with Audi Connect and Bluetooth privacy handsets located in front and rear centre armrests.</b> The cordless handsets allow passengers to make private calls, providing remote control of the telephone functions as well as a convenient SMS text message function. The handset is charged from a docking station integrated into the armrest. Only in combination with deluxe 4-zone climate control (9AH)  |       |               |                |    |         |     | £1,315.00          |
| <b>QF4</b> |   |       |               |                |    |         |     | £965.00            |
|            |   |       |               |                |    |         |     | £485.00            |
| <b>9ZE</b> | <b>Audi Phone Box</b> – enables drivers to use their mobile phone* in the car by placing it in the storage compartment provided in the centre console to create a wireless connection to the vehicle aerial   |       |               |                |    |         |     | £425.00            |
| <b>9ZC</b> | <b>Audi Phone Box and Mobile telephone preparation* – High with Audi Connect</b>  |       |               |                |    |         |     | £775.00            |
|            |   |       |               |                |    |         |     | £425.00            |

Options are subject to availability and may extend time taken for delivery.

– = Not available  
 ● = Available  
 S = Standard

\*For mobile phone and software compatibility please see [www.audi.co.uk/phonecompatibility](http://www.audi.co.uk/phonecompatibility)

\*Total RRP inc VAT – Recommended Retail Price including VAT which is calculated at 20%. This may alter to reflect any change in the applicable VAT rate.

# Audio and communication

Order Code

| Order Code   | SE Executive | Sport | Black Edition | SE Executive L | S8 | S8 plus | W12 | Total RRP inc VAT* |
|--|--------------|-------|---------------|----------------|----|---------|-----|--------------------|
| <b>Bang &amp; Olufsen Advanced Sound System</b><br>- 19 high-performance speakers including subwoofer:<br>- Dashboard – 100mm centre speaker, 19mm tweeter and two surround-sound speakers<br>- Front doors – two 100mm mid-range speakers and two 165mm woofers<br>- Rear doors – four 100mm mid-range speakers and two tweeters  | •            | –     | –             | •              | –  | –       | –   | £6,740.00          |
| <b>8RF</b><br>- Parcel shelf – subwoofer, two surround-sound speakers and two tweeters<br>- 19-channel Digital Signal Processing (DSP) amplifier with over 1,400 watt output located in boot<br>- Surround-sound reproduction from digital 5.1 recordings (DVD) and from stereo sources (CD, Radio, MP3)<br>- Motorised Acoustic Lens speakers in dashboard, aluminium loudspeaker grilles for all other visible speakers<br><br>In combination with Premium comfort package (WB4/WK8)   | –            | •     | •             | –              | •  | •       | •   | £5,565.00          |
|  | –            | –     | –             | •              | –  | –       | –   | £5,565.00          |
| <b>Rear Seat Entertainment</b><br>- Two 10.2” high-resolution LCD monitors (only 16mm thick) on the backrest of the front seats, fixed with adjustable brackets<br>- Separate MMI control unit in rear centre armrest<br>- Separate main unit in rear with additional single DVD drive, hard drive (20GB for media; maximum 4,000 tracks in MP3 format), two SD card slots, Audi Music Interface, AUX-IN and AV-IN (for external games console, for example)                             |              |       |               |                |    |         |     |                    |
| <b>9WP</b><br>- Audio supports MP3, WMA and AAC formats<br>- Video supports MPEG-1-, -2-, -4, WMV and Xvid formats<br>- Access to radio, TV and DVD changer<br>- Two pairs of wireless Bluetooth headphones<br>- Option of different content on each screen – separate DVD changer (6G0) required<br>- 5.1 surround-sound possible<br><br>Only in combination with BOSE® (8RY) or Bang & Olufsen (8RF) sound systems. Only in combination with Deluxe 4-zone climate control (9AH) on S8 | •            | •     | •             | •              | •  | •       | •   | £2,370.00          |

Options are subject to availability and may extend time taken for delivery.

– = Not available  
• = Available  
S = Standard

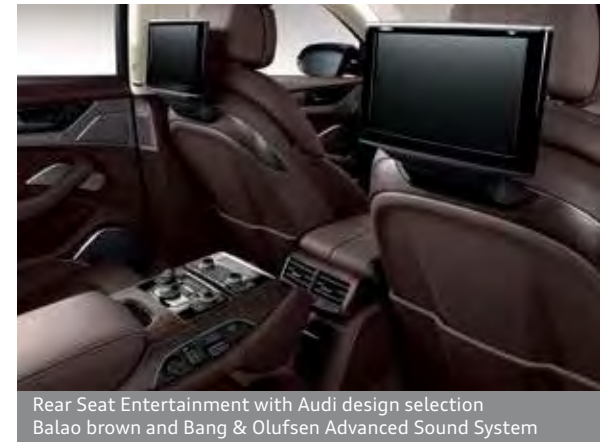
\*Total RRP inc VAT – Recommended Retail Price including VAT which is calculated at 20%. This may alter to reflect any change in the applicable VAT rate.



Bang & Olufsen Advanced Sound System



Audi Phone Box



Rear Seat Entertainment with Audi design selection Balao brown and Bang & Olufsen Advanced Sound System



# Interior equipment

Specify every detail of your car's interior with this range of options.

| Order Code         |  | SE Executive | Sport | Black Edition | SE Executive L | S8 | S8 plus | W12 | Total RRP inc VAT* |
|--------------------|--|--------------|-------|---------------|----------------|----|---------|-----|--------------------|
|                    | <b>Deluxe 4-zone climate control including rear comfort centre armrest.</b><br>As standard climate control plus:   |              |       |               |                |    |         |     |                    |
| <b>9AH</b>         | - Separate air distribution and temperature controls for driver, front passenger and both sides in the rear<br>- Additional air-conditioning controls in the rear comfort centre armrest<br>- Rear passenger climate can also be adjusted via the front control panel  | ●            | ●     | ●             | S              | ●  | ●       | S   | £1,100.00          |
| <b>3Y2</b>         | <b>Electric sunblind for rear window</b>   | ●            | ●     | ●             | -              | ●  | -       | -   | £345.00            |
| <b>3Y8</b>         | <b>Electric sunblinds for rear window and for rear door windows</b>  | ●            | ●     | ●             | S              | ●  | S       | S   | £845.00            |
| <b>VC1</b>         | <b>Garage door opener (HomeLink®*).</b> Programmable radio-operated remote control for compatible doors/gates. Control buttons integrated in the front roof module   | ●            | ●     | ●             | ●              | ●  | ●       | ●   | £195.00            |
| <b>3X4</b>         | <b>Through-load facility</b>   | ●            | ●     | ●             | ●              | ●  | ●       | ●   | £245.00            |
| <b>1W7</b>         | <b>Cool box.</b> Compressor-based cooling located in the through-load facility with temperature range from +6°C to -6°C, capacity for two 1l bottles horizontally, shelf and LED interior lighting. Can be converted back to through-load facility with ski bag at any time. Cannot be combined with through-load facility   | ●            | ●     | ●             | ●              | ●  | ●       | ●   | £1,275.00          |
| <b>8S3</b>         | <b>Additional reading lights.</b> Two additional rear reading lights. On normal wheelbase models, only available in combination with Electric slide-and-tilt sunroof (3FE) or Electric slide-and-tilt solar panel sunroof (3FR)  | ●            | ●     | ●             | -              | ●  | ●       | -   | £280.00            |
| <b>VE1<br/>8S3</b> | <b>Rear vanity mirror.</b> Includes two additional rear reading lights   | -            | -     | -             | ●              | -  | -       | S   | £275.00            |
| <b>1U9</b>         | <b>Folding table for driver and passenger side</b> for working comfortably in the rear of the vehicle. Simple manual operation. The folding table is made of high-quality wood which matches the selected inlay in the vehicle. Only available in combination with wood or Piano black inlays on S8 and S8 plus. Not available in combination with Rear seat package (PE2) | ●            | ●     | ●             | ●              | ●  | ●       | ●   | £2,500.00          |

Options are subject to availability and may extend time taken for delivery.

- = Not available  
● = Available  
S = Standard

\*HomeLink® is a registered trademark of Johnson Controls. For information on compatibility, visit [www.homelink.com](http://www.homelink.com)

\*Total RRP inc VAT - Recommended Retail Price including VAT which is calculated at 20%. This may alter to reflect any change in the applicable VAT rate.

# Interior equipment

Specify every detail of your car's interior with this range of options.

Options are subject to availability and may extend time taken for delivery.

- = Not available
- = Available
- S = Standard

RRP – Recommended Retail Price.

\*Total RRP inc VAT – Recommended Retail Price including VAT which is calculated at 20%. This may alter to reflect any change in the applicable VAT rate.

| Order Code     |  | SE Executive | Sport | Black Edition | SE Executive L | S8 | S8 plus | W12 | Total RRP inc VAT* |
|----------------|--|--------------|-------|---------------|----------------|----|---------|-----|--------------------|
| <b>5N2</b>     | <b>Folding grab handles with wood segments.</b> Not available in combination with upper inlays – Fine grain ash, natural gold brown (SMC) or upper inlays – Fine grain birch wood, pearl beige (STF). Not available in combination with Audi exclusive inlays (YTA)  | •            | •     | -             | •              | •  | •       | S   | £525.00            |
| <b>6Q3</b>     | <b>Gear selector lever in wood or Piano black</b> – gear lever is matched to chosen upper inlays in wood. In combination with carbon inlays with red thread (STU) the gear lever will be in Piano black. Not available in combination with Audi design selection (PEZ/PEX) or Audi exclusive inlays (YTA)  | •            | •     | -             | •              | -  | -       | •   | £110.00            |
| <b>YTD S3G</b> | <b>Audi exclusive gear selector lever in wood.</b> Only available in combination with matching Audi exclusive inlays (YTA)   | -            | -     | -             | -              | •  | •       | -   | £0.00              |
| <b>OTR</b>     | <b>Rear foot rests</b>   | •            | •     | -             | •              | •  | •       | •   | £340.00            |
| <b>2V9</b>     | <b>Air ioniser</b> boosts the well-being and alertness of driver and passengers. Placing it in the right B-pillar benefits rear-seat passengers in particular. Ionisation of air reduces harmful airborne particles and germs, thus improving air quality in the interior.<br>- Ioniser is activated by a switch on the right B-pillar<br>- A vent in the right B-pillar emits ionised air<br>Only in combination with Deluxe 4-zone climate control (9AH) | -            | -     | -             | •              | -  | -       | •   | £250.00            |
| <b>9JA</b>     | <b>Non-smoking package.</b> Replaces ashtray with additional storage compartments  | •            | •     | •             | •              | •  | •       | •   | £130.00            |
|                |  | •            | •     | •             | •              | •  | •       | •   | £0.00              |



Rear vanity mirror



Folding grab handles with wood segments

# Exterior equipment

Make sure your car looks exactly as you want it to by selecting some of the striking options from our detailed list.

| Order Code |  | SE Executive | Sport | Black Edition | SE Executive L | S8 | S8 plus | W12 | Total RRP inc VAT <sup>†</sup> |
|------------|--|--------------|-------|---------------|----------------|----|---------|-----|--------------------------------|
| 3FE        | <b>Electric slide-and-tilt sunroof.</b> Includes position pre-selection, tinted glass insert, variable sunshield and convenience closing   | ●            | ●     | ●             | S              | ●  | ●       | S   | £1,035.00                      |
| 3FR        | <b>Electric slide-and-tilt solar-panel sunroof.</b> Includes position pre-selection and convenience closing. Uses the sun's energy to supply a constant flow of air to reduce the temperature inside a parked car  | ●            | ●     | ●             | –              | ●  | ●       | –   | £1,890.00                      |
|            |  | –            | –     | –             | ●              | –  | –       | ●   | £440.00                        |
| PPA        | <b>Panoramic sunroof.</b> Includes rear vanity mirror  | –            | –     | –             | ●              | –  | –       | ●   | £1,635.00                      |
| GZ2        | <b>Power door closure.</b> Electrically-operated power doors with soft-close feature   | S            | S     | S             | S              | ●  | S       | S   | £460.00                        |
| 4KS        | <b>Privacy glass.*</b> Dark tinted glass from B-pillar backwards   | S            | S     | S             | S              | ●  | S       | –   | £390.00                        |
| 4KV<br>4GR | <b>Twin-pane UV, heat-insulating glass and heated windscreen.</b> Includes invisible heating element in windscreen. Operates automatically below +5°C when climate control is on auto. Please note that the reflective layer may impede the operation of portable GPS, GSM or road-toll devices. Only in combination with Mobile telephone preparation – High with Audi Connect (9ZW). Not available in combination with Privacy glass (4KS) | –            | –     | –             | –              | ●  | –       | S   | £920.00                        |
| VW5<br>4GR | <b>Twin-pane UV, heat-insulating privacy glass and heated windscreen.</b> Includes invisible heating element in windscreen. Operates automatically below +5°C when climate control is on auto. Please note the reflective layer may impede the operation of portable GPS, GSM or road-toll devices. Only in combination with Mobile telephone preparation – High with Audi Connect (9ZW)   | –            | –     | –             | –              | ●  | –       | –   | £1,310.00                      |
|            |  | ●            | ●     | ●             | ●              | –  | ●       | –   | £920.00                        |
|            |  | –            | –     | –             | –              | –  | –       | ●   | £390.00                        |
| 1D9        | <b>Towing bracket – electrically folding.</b> Electrically folding ball head operated via button in the luggage compartment, including trailer stabilisation via the Electronic Stability Programme. Includes single European 13-pin electrics socket and may require a 13- to 7-pin adaptor.** Please contact your Audi Centre for details  | ●            | ●     | ●             | ●              | ●  | ●       | ●   | £825.00                        |
| 2Z7        | <b>Deletion of engine technology badge at rear</b>   | ●            | ●     | ●             | ●              | –  | –       | ●   | £0.00                          |
| 2Z0        | <b>Deletion of model designation and engine technology badges at rear</b>  | ●            | ●     | ●             | ●              | –  | –       | ●   | £0.00                          |
| 0P8        | <b>Enhanced Sport exhaust.</b> Includes black chrome exhaust pipes with a distinctive sound  | –            | –     | –             | –              | ●  | S       | –   | £1,215.00                      |
| 5J1<br>6FQ | <b>Carbon styling package.</b> Includes rear boot lid spoiler and exterior mirror housings in carbon fibre   | –            | –     | –             | –              | –  | ●       | –   | £1,995.00                      |

Options are subject to availability and may extend time taken for delivery.

– = Not available  
● = Available  
S = Standard

\*Please note that privacy glass (4KS) can be deselected on A8 SE Executive, Sport and Black Edition models with order code (YEK).

\*\*Additional wiring is required for auxiliary equipment.

<sup>†</sup>Total RRP inc VAT – Recommended Retail Price including VAT which is calculated at 20%. This may alter to reflect any change in the applicable VAT rate.

# Safety and security

We've developed a range of advanced technologies to help increase safety.

Vehicle driver assistance and safety systems are not a substitute for attentive driving. Drivers retain full responsibility for providing the necessary inputs for safe control of the vehicle. System descriptions within this brochure are provided for information purposes only. System limitations and operational requirements apply. See manual for details.

Options are subject to availability and may extend time taken for delivery.

- = Not available  
• = Available  
S = Standard

\*Where the law permits.

\*Total RRP inc VAT – Recommended Retail Price including VAT which is calculated at 20%. This may alter to reflect any change in the applicable VAT rate.

| Order Code | SE Executive | Sport | Black Edition | SE Executive L | S8 | S8 plus | W12 | Total RRP inc VAT* |
|------------|--------------|-------|---------------|----------------|----|---------|-----|--------------------|
| <b>7Y4</b> | •            | •     | •             | •              | •  | •       | •   | £510.00            |
| <b>PCG</b> | •            | •     | •             | •              | •  | S       | •   | £1,330.00          |

**Audi active lane assist.** Helps the driver to stay in lane with gentle steering impulses for greater safety and convenience, particularly on motorways and country roads:

- Informs driver if the car is drifting out of lane unintentionally above approximately 37mph
- Driver has the choice of two system settings in the MMI:
  - Early steering intervention – continuously helps the driver to stay in lane with steering impulses that centre the vehicle in its lane
  - Late steering intervention – alerts the driver that the vehicle is possibly crossing the lane markings, at the same time as providing a corrective steering prompt
- Additional warning in the form of vibrating steering wheel when lane markings are crossed, if specified by driver
- Camera identifies individual or coloured lane markings, e.g. yellow lines at roadworks
- Additional indication in head-up display (if selected as an option)

**Adaptive Cruise Control (ACC) with Stop&Go function including Pre-sense Front.** Automatic distance regulation, using radar sensors to maintain required distance by braking and accelerating. Four programs (distance 1 to distance 4) can be set via the steering column controls of the cruise control system. Works at speeds between 0 and 155mph\* and also includes Audi braking guard system which triggers a visual and acoustic alarm when the system detects the risk of a collision with the vehicle in front. In addition, the airbags are pre-conditioned if a crash is sensed and the braking system is prepared to assist with the necessary braking force once the brake pedal is touched





# Safety and security

The driver's assistance systems featured on these pages work only within system limits.

Vehicle driver assistance and safety systems are not a substitute for attentive driving. Drivers retain full responsibility for providing the necessary inputs for safe control of the vehicle. System descriptions within this brochure are provided for information purposes only. System limitations and operational requirements apply. See manual for details.

Options are subject to availability and may extend time taken for delivery.

- = Not available
- = Available
- S = Standard

\*Total RRP inc VAT – Recommended Retail Price including VAT which is calculated at 20%. This may alter to reflect any change in the applicable VAT rate.

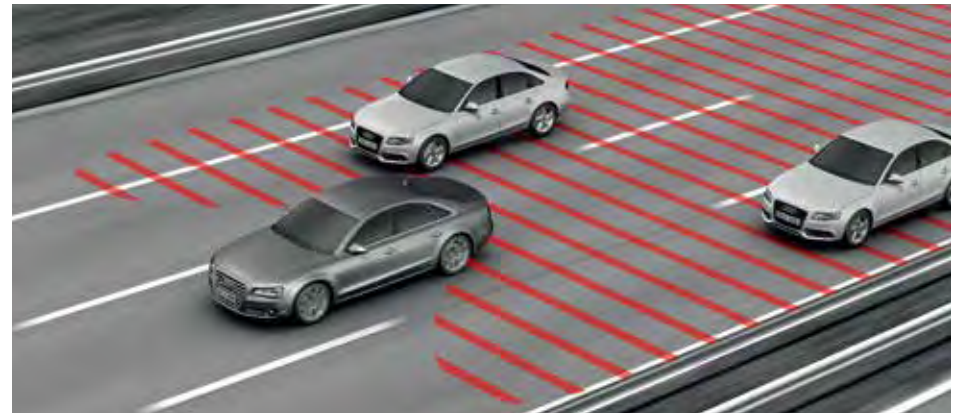
| Order Code | SE Executive | Sport | Black Edition | SE Executive L | S8 | S8 plus | W12 | Total RRP inc VAT* |
|------------|--------------|-------|---------------|----------------|----|---------|-----|--------------------|
| PCH        | •            | •     | •             | •              | •  | -       | •   | £525.00            |
| PCD        | •            | •     | •             | •              | •  | -       | •   | £900.00            |

**Audi side assist including Pre-sense Rear.** Aids the driver when changing lane. Audi side assist monitors the area behind your car, using radar sensors located discreetly in the rear bumper, and informs the driver with a visual warning signal in the door mirror if there is a vehicle in their blind spot or approaching quickly from behind. The system is activated using a button in the driver's door and works at speeds above 19mph. Pre-sense Rear uses the rear sensors, and if a rear collision is sensed, the upper backrest and headrest are adjusted automatically and the airbags are pre-conditioned to provide increased protection. When combined with Comfort front Sport seats (PS1), the pneumatic bolsters are also filled to provide more protection

**Audi side assist including Pre-sense Rear and Audi active lane assist.** Combines the functionality of Audi active lane assist and Audi side assist including Pre-sense Rear. Additionally, with the combination of these two optional extras, if the driver attempts to change lanes and Audi side assist detects a vehicle in the driver's blind spot then Audi active lane assist's steering intervention will steer you back into lane in an attempt to avoid a collision



Audi side assist



Audi side assist

# Safety and security

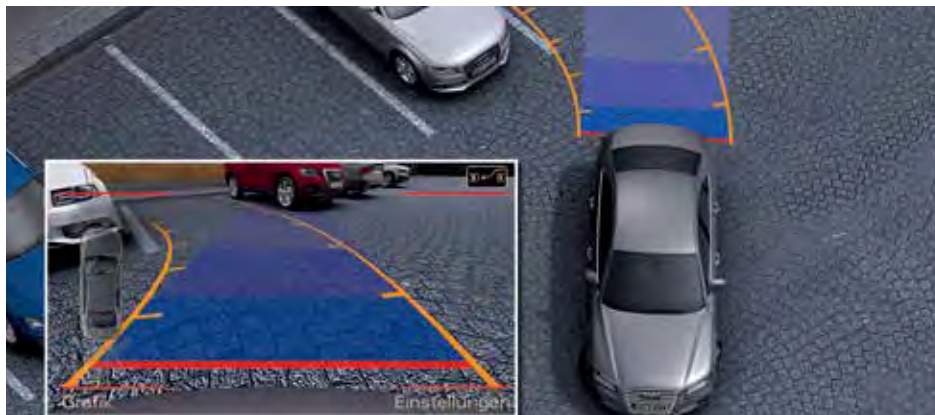
Vehicle driver assistance and safety systems are not a substitute for attentive driving. Drivers retain full responsibility for providing the necessary inputs for safe control of the vehicle. System descriptions within this brochure are provided for information purposes only. System limitations and operational requirements apply. See manual for details.

Options are subject to availability and may extend time taken for delivery.

- = Not available  
 • = Available  
 S = Standard

\*Total RRP inc VAT – Recommended Retail Price including VAT which is calculated at 20%. This may alter to reflect any change in the applicable VAT rate.

| Order Code | SE Executive   | Sport | Black Edition | SE Executive L | S8 | S8 plus | W12 | Total RRP inc VAT* |
|------------|--|-------|---------------|----------------|----|---------|-----|--------------------|
| PCE        | <b>Audi Assistance package with Pre-sense plus and Audi active lane assist</b> – includes:<br>- Audi Adaptive Cruise Control with Stop&Go function including Pre-sense Front<br>- Audi active lane assist<br>- Audi side assist including Pre-sense Rear<br>- Pre-sense plus, an expansion of the Audi braking guard, where, if a collision is perceived as unavoidable, the brakes are applied automatically in order to minimise the impact of the collision |       |               |                |    |         |     |                    |
|            | •  | •     | •             | •              | •  | -       | •   | £2,230.00          |
|            | -  | -     | -             | -              | -  | •       | -   | £900.00            |
| 7X5        | <b>Audi parking system plus with park assist.</b> Searches for suitable parking spaces along the road by means of ultrasonic sensors, calculates the ideal parking path and performs the steering action virtually automatically. Park assist performs both parallel and perpendicular parking, as well as manoeuvring out of parallel parking spaces. The steering is done by the vehicle – the driver only needs to accelerate and apply the brakes          |       |               |                |    |         |     |                    |
|            | •  | •     | •             | •              | •  | •       | •   | £410.00            |
| KA2        | <b>Audi parking system advanced with reversing camera.</b> Aids parking by acoustically and visually indicating distances to obstacles with guiding lines. Measured by sensors and reversing camera  |       |               |                |    |         |     |                    |
|            | S  | S     | S             | S              | -  | -       | -   | £0.00              |
| KA6        | <b>Audi parking system advanced with top view.</b> Aids parking and manoeuvring using four cameras. Cameras are mounted in the front grille, the handle of the boot lid and the housing of the two exterior mirrors. The driver can choose between different image representations in the MMI display, including a live 'bird's-eye view' image for parking  |       |               |                |    |         |     |                    |
|            | •  | •     | •             | •              | S  | S       | S   | £500.00            |



Audi parking system advanced with reversing camera



Audi parking system advanced with top view

# Safety and security

Vehicle driver assistance and safety systems are not a substitute for attentive driving. Drivers retain full responsibility for providing the necessary inputs for safe control of the vehicle. System descriptions within this brochure are provided for information purposes only. System limitations and operational requirements apply. See manual for details.

Options are subject to availability and may extend time taken for delivery.

- = Not available
- = Available
- S = Standard

\*Total RRP inc VAT – Recommended Retail Price including VAT which is calculated at 20%. This may alter to reflect any change in the applicable VAT rate.

| Order Code | SE Executive | Sport | Black Edition | SE Executive L | S8 | S8 plus | W12 | Total RRP inc VAT* |
|------------|--------------|-------|---------------|----------------|----|---------|-----|--------------------|
| <b>PXC</b> | •            | S     | S             | •              | S  | S       | S   | £840.00            |
| <b>9R1</b> | •            | •     | •             | •              | •  | •       | •   | £1,535.00          |

**Audi Matrix LED headlights with dynamic front and rear indicators.** Audi Matrix LED technology provides precise illumination of the road whilst reducing the risk of dazzling other road users. Using information from the vehicle's sensors, camera and MMI Navigation (if equipped), Matrix LED calculates the appropriate lighting required and automatically dips or turns off individual lighting diodes, creating corridors of lights either side of the vehicle or the object in front of it. Includes dynamic front and rear indicators which sweep from inside to out. This helps to clearly identify not only that the vehicle is turning, but in which direction

**Night vision assistant with pedestrian and animal detection.** Assists the driver when driving at night by displaying a thermal image of the surroundings. People and large wild animals are highlighted in the colour display of the Driver's Information System. If the system determines from their position that there is a potential risk, the marking changes to red, a warning tone is emitted. Warning can also be shown in the Head-up display (if ordered). The highlighted person is also illuminated with 3 successive brief flashes of the headlight. System operation may be restricted in too much ambient light, high humidity and high night temperatures (over 28°C)



Audi Matrix LED headlights



Night vision assistant with pedestrian and animal detection

# Safety and security

Vehicle driver assistance and safety systems are not a substitute for attentive driving. Drivers retain full responsibility for providing the necessary inputs for safe control of the vehicle. System descriptions within this brochure are provided for information purposes only. System limitations and operational requirements apply. See manual for details.

Options are subject to availability and may extend time taken for delivery.

- = Not available
- = Available
- S = Standard

\*Total RRP inc VAT – Recommended Retail Price including VAT which is calculated at 20%. This may alter to reflect any change in the applicable VAT rate.

| Order Code | SE Executive | Sport | Black Edition | SE Executive L | S8 | S8 plus | W12 | Total RRP inc VAT* |
|------------|--------------|-------|---------------|----------------|----|---------|-----|--------------------|
| <b>QR9</b> | •            | •     | •             | •              | •  | •       | •   | £250.00            |
| <b>KS1</b> | •            | •     | •             | •              | •  | •       | •   | £1,340.00          |

**Speed limit display** – the current speed limit can be displayed in the Driver’s Information System. Should the camera fail to see a sign properly, the speed limit from the data for the navigation system will be shown instead. The specific advantages are:

- Display of the speed limits currently registered, which can be called up in the Driver’s Information System at any time
- Display can be called up in every instrument cluster view
- Camera-based system is also capable of detecting temporary speed restrictions in roadworks and on digital displays (e.g. over motorways) within the system limits
- Display of national speed limits for Western European countries

Only available with Audi active lane assist (7Y4), Adaptive Cruise Control (PCG), or Audi Assistance package with Pre-sense plus and Audi active lane assist (PCE)

**Head-up display.** Projects warning messages or driving-related information from assistance systems (if ordered) and the navigation system. Projected in full colour onto the windscreen in the driver’s direct field of vision, giving the driver faster access to information. Display is adjustable in height. The following can be chosen to be displayed (depending on chosen options):

- Vehicle speed
- Navigation instructions
- Adaptive Cruise Control status, distance from vehicle ahead and set speed (optional)
- Warning messages from night vision assistant (optional)
- Camera-based speed limit display (optional)



Head-up display with speed limit display



Speed limit display



# Steering wheels

Our steering wheels are available in a range of designs and can give you control of key vehicle features such as phone and stereo, as well as the automatic transmission.

| Order Code |  | SE Executive | Sport | Black Edition | SE Executive L | S8 | S8 plus | W12 | Total RRP inc VAT* |
|------------|--|--------------|-------|---------------|----------------|----|---------|-----|--------------------|
| <b>2Z5</b> | <b>4-spoke leather multi-function steering wheel with gear-shift paddles</b>   | S            | -     | -             | S              | -  | -       | S   | £0.00              |
| <b>1XX</b> | <b>3-spoke leather multi-function steering wheel with gear-shift paddles</b>   | •            | -     | -             | •              | -  | -       | -   | £180.00            |
|            |  | -            | S     | S             | -              | S  | S       | •   | £0.00              |
| <b>1XT</b> | <b>Heated 3-spoke leather multi-function steering wheel with gear-shift paddles</b>  | •            | -     | -             | •              | -  | -       | -   | £430.00            |
|            |  | -            | •     | •             | -              | •  | •       | •   | £250.00            |
| <b>2ZD</b> | <b>Heated 4-spoke leather multi-function steering wheel with gear-shift paddles</b>  | •            | -     | -             | •              | -  | -       | •   | £250.00            |
| <b>6F9</b> | <b>4-spoke multi-function steering wheel with wood segments and gear-shift paddles.</b><br>Available in a selection of colours to match upper inlays | •            | •     | -             | •              | •  | -       | •   | £615.00            |

Options are subject to availability and may extend time taken for delivery.

- = Not available
- = Available
- S = Standard

\*Total RRP inc VAT – Recommended Retail Price including VAT which is calculated at 20%. This may alter to reflect any change in the applicable VAT rate.



4-spoke leather multi-function steering wheel



3-spoke leather multi-function steering wheel



## Everything your Audi needs

Once you've chosen your ideal model, there are options available to protect it further, including a range of extended warranties. And there's also a wide selection of Audi accessories and merchandise to choose from, enabling you to personalise and safeguard your car.







# Warranty

All new Audi models come with a three-year warranty as standard, and you can choose to extend this to a four or five-year warranty\* for a one-off cost. What's more, if you decide to sell your Audi before the warranty expires, it will be fully transferred to the new owner.

- = Not available  
 • = Available  
 S = Standard

\*Three-year warranty consists of a two-year unlimited-mileage warranty and a third year warranty with a 60,000-mile limitation. Four-year warranty consists of a two-year unlimited-mileage warranty and two further years' coverage with a 75,000-mile limitation. Five-year warranty consists of a two-year unlimited-mileage warranty and three further years' coverage with a 90,000-mile limitation.

\*\*Only available prior to registration of your Audi A8. Please speak to your Audi Centre for full details.

\*Total RRP inc VAT – Recommended Retail Price including VAT which is calculated at 20%. This may alter to reflect any change in the applicable VAT rate.

| Order Code |   | A8 | S8 | W12 | Total RRP inc VAT <sup>†</sup> |
|------------|---|----|----|-----|--------------------------------|
| -          | <b>Audi Warranty</b> covering you for unlimited mileage in the first two years of ownership, and up to 60,000 miles in the third year. Transferable between owners**  | S  | S  | S   | £0.00                          |
| EA6        | <b>Audi Warranty</b> covering you for up to four years or 75,000 miles, whichever comes soonest. Cover includes a two-year unlimited-mileage warranty, and up to 75,000 miles in the third and fourth years. Transferable between owners**        | •  | •  | •   | £1,035.00                      |
| EA9        | <b>Audi Warranty</b> covering you for up to five years or 90,000 miles, whichever comes soonest. Cover includes a two-year unlimited-mileage warranty, and up to 90,000 miles in the third, fourth and fifth years. Transferable between owners** | •  | •  | •   | £2,555.00                      |



## Merchandise

From the enthusiasts' motorsport collection to the sophisticated Audi collection, there's a wide variety of adults' and children's clothing, lifestyle accessories and collectables, all of which bear the Audi name.

Please speak to a member of our team at your local Audi Centre to see the full Audi collection and to place an order. A selection of Audi merchandise is also available to buy from [www.audi.co.uk/merchandise](http://www.audi.co.uk/merchandise)



Image shown is the Audi kids' car legends, item number 320.13.004.00

# The Audi **Difference**

## The experts in Vorsprung durch Technik

Our Audi Approved Master Technicians have undergone an impressive 100,000 hours of training over a 10-year programme to ensure they have the latest technical expertise for maintaining and servicing your Audi. All our Service Advisors undergo a specialist induction and training to ensure they are Audi professionals and able to talk to you about any issues you may have with your Audi vehicle.

## Servicing tailored to your needs

Regular servicing is key to safeguarding your Audi's performance and a full service history could help you enhance the future resale value. To make servicing easy, the Audi Service Schedules have been designed to work with your individual driving style and vehicle.

We offer two different schedules: the Fixed Inspection Service and the Flexible Service schedule. The conventional Fixed Inspection Service schedule has fixed intervals for the Oil-change Service and Inspection Service, which are determined by time and distance.

With the Flexible Service schedule, the Inspection Service intervals are also fixed but the Oil-change Service intervals are variable. Sensors take account of driving style and conditions to determine when the Oil-change Service is required and the driver is informed via the on-board service interval display.

The choice of Service Schedule will depend on journey type and mileage as well as individual driving style and conditions. The table to the right can be used for guidance but your Audi Centre will help you to determine the most suitable Service schedule for you based on your individual circumstances and preferences.

### Fixed Inspection Service Schedule

|                    | Vehicle usage:  |
|--------------------|---|
| Mileage            | Less than 10,000 miles per annum<br>Mainly city/town centre driving.<br>Short journeys. |
|                    | Service Intervals:  |
| Oil-change Service | Fixed to every 9,000+ miles/one year  |
| Inspection Service | Fixed to every 19,000+ miles/two years  |

### Flexible Service Schedule

|                    | Vehicle usage:  |
|--------------------|---|
| Mileage            | More than 10,000 miles per annum<br>Motorway and main road driving.<br>Mainly longer distance journeys.<br>Constant speeds. |
|                    | Service Intervals:  |
| Oil-change Service | Variable to a maximum of every 19,000+ miles/two years  |
| Inspection Service | Fixed to every 19,000+ miles/two years  |

When a vehicle is frequently used in the following conditions, we recommend a Fixed Inspection Service Schedule, regardless of mileage:

Uneconomical driving styles, e.g. heavy acceleration and braking, constant use of high revs

High engine-loading conditions, e.g. frequent towing and hill climbs

\*As indicated by the service interval display. Mileages are approximate as the Service Indicator system uses kilometres as its distance measurement.

## Your convenience comes first

At Audi you can choose from a range of convenient services that suit your needs. Why not book a 'service while you wait' appointment\* and enjoy our complimentary refreshments while your car is with us? Or, if you need to be mobile, take advantage of one of our courtesy cars which we can even deliver to you.\* We guarantee we can service your Audi within five days without a courtesy car or within 10 days if you need transport. We will also ensure your car is returned to you with a full valet.

## Audi Genuine Parts

You can rest assured that only Audi Genuine Parts will be used on your vehicle. What's more, Audi parts and labour come with a two-year guarantee.\*\*

## No hidden costs

We believe strongly in transparency when it comes to our prices. For added peace of mind, we will give you a quotation over the phone for the work you have requested and email you the price confirmation. We'll consult you if any additional work on your car is needed when it is with us. We won't carry out any extra work without asking your permission first.

## All part of the service

Whenever we see an Audi for a service, we connect it directly to our headquarters in Ingolstadt which enables us to check your car's software and make sure it's as up-to-date as possible. If the factory has released a software upgrade for your model, it can be applied immediately - improving anything from your car's efficiency to the precision of its parking system.

## Audi Roadside Assistance

Your new car comes complete with three years' complimentary roadside assistance and recovery across the UK, provided by Automobile Association Insurance Services Limited. Also included is roadside assistance throughout Europe, managed by Automobile Association Insurance Services Limited.

For further information and terms and conditions please visit [www.audi.co.uk](http://www.audi.co.uk)

\*Charges and further terms, conditions and exclusions may apply. Please contact your local Audi Centre for full details.

\*\*Excludes wear and tear.



# A8 and S8 technical data

|   | Diesel            |                   | S8 quattro        | S8 Plus quattro   |
|---|-------------------|-------------------|-------------------|-------------------|
| Engine  | 3.0 TDI quattro   | 4.2 TDI quattro   | 4.0 TFSI quattro  | 4.0 TFSI quattro  |
| Transmission  | 8-speed tiptronic | 8-speed tiptronic | 8-speed tiptronic | 8-speed tiptronic |
| Cylinder  | 6-cylinder        | 8-cylinder        | 8-cylinder        | 8-cylinder        |
| Displacement, cubic cm  | 2967              | 4134              | 3993              | 3993              |
| Max. power <sup>1</sup> , PS at rpm                           | 262/4000-4250     | 385/3750          | 520/5800          | 605/6100-6800     |
| Max. torque, Nm at rpm  | 580/1750-2500     | 850/2000-2750     | 650/1700-5500     | 750/2500-5500     |
| Top speed <sup>2</sup> , mph                                  | 155*              | 155*              | 155*              | 155*              |
| 0-62mph acceleration, seconds                                 | 5.9               | 4.7               | 4.1               | 3.8               |
| ABI insurance group 1-50**                                    | 48E               | 50E               | 49E               | 50E               |
| Unladen weight <sup>3</sup> , kg                              | 1880              | 2040              | 1990              | 1990              |
| Gross weight limit, kg  | 2570              | 2705              | 2590              | 2590              |
| Roof load limit/nose weight, kg                               | 100/95            | 100/95            | 100/95            | 100/95            |
| Max. trailer load unbraked <sup>4</sup> , kg                  | 750               | 750               | 750               | 750               |
| Max. trailer load with 12% gradient <sup>4</sup> , kg         | 2200              | 2300              | 2300              | 2300              |
| Max. trailer load with 8% gradient <sup>4</sup> , kg          | 2200              | 2300              | 2300              | 2300              |
| Luggage compartment capacity, litres                          | 490               | 490               | 520               | 520               |
| Fuel tank capacity approx, litres                             | 82                | 82                | 82                | 82                |
| Adblue <sup>®</sup> tank approx capacity, litres <sup>^</sup> | 27                | 27                | n/a               | n/a               |
| Emission standard   | EU6               | EU6               | EU6               | EU6               |

\*Electronically limited.

<sup>^</sup>The addition of AdBlue<sup>®</sup> technology ensures compliance with EU6 emission standards. The use of AdBlue<sup>®</sup> will vary based on a number of conditions and the tank requires refilling when indicated on the instrument cluster.

\*\*Highest insurance group rating shown. Group may be lower dependent on trim level. Please visit [www.thatcham.org/abigrouprating](http://www.thatcham.org/abigrouprating) for details.

<sup>1</sup>The given value was obtained in accordance with the specified measurement procedure (the respective current version of the Directive 80/1269/EEC).

<sup>2</sup>Regulated.

<sup>3</sup>Vehicle unladen weight without driver (calculated in accordance with the current version of Directive 80/1268/EEC). The fitting of additional equipment may increase the vehicle's unladen weight and drag coefficient, whereupon the potential carrying capacity and top speed will be correspondingly reduced.

<sup>4</sup>The engine's power output always goes down with increasing altitude. At 1,000m above sea level, and for every additional 1,000m, deduct 10% from the weight of the outfit (trailer load limit + gross weight of the towing vehicle). Vehicle not suitable for towing.

**Please note:** The maximum power output figures are quoted in PS (or Pferdestärke, which is the metric equivalent of brake horsepower). To convert to brake horsepower, divide the PS figure by 1.0139.



# A8 and S8 technical data

Depending upon your chosen wheel size, different efficiency figures for CO<sub>2</sub> emissions and fuel consumption will apply (based on EU directive no. 715/2007 effective from 01/09/14). This table is a quick reference guide to assist you in finding the correct values based on wheel sizes and chosen engine.

| Engine  |            | Diesel            |                   | S8 quattro        |                   | S8 Plus quattro |  |
|---|------------|-------------------|-------------------|-------------------|-------------------|-----------------|--|
|   |            | 3.0 TDI quattro   | 4.2 TDI quattro   | 4.0 TFSI quattro  | 4.0 TFSI quattro  |                 |  |
| Transmission  |            | 8-speed tiptronic | 8-speed tiptronic | 8-speed tiptronic | 8-speed tiptronic |                 |  |
| Max. power <sup>1</sup> , PS at rpm                       |            | 262/4000-4250     | 385/3750          | 520/5800          | 605/6100-6800     |                 |  |
| CO <sub>2</sub> emissions <sup>2</sup> , g/km             | 18" wheels | 149               | 189               | -                 | -                 |                 |  |
|   | 19" wheels | 155               | 193               | -                 | -                 |                 |  |
|   | 20" wheels | 155               | 193               | 216               | -                 |                 |  |
|   | 21" wheels | 157               | 196               | 220               | 231               |                 |  |
| Benefit in kind 2016/17 tax year (BIK)%                   | 18" wheels | 29%               | 37%               | -                 | -                 |                 |  |
|   | 19" wheels | 31%               | 37%               | -                 | -                 |                 |  |
|   | 20" wheels | 31%               | 37%               | 37%               | -                 |                 |  |
|   | 21" wheels | 31%               | 37%               | 37%               | 37%               |                 |  |
| Fuel consumption <sup>2</sup> , mpg (l/100km) Urban       | 18" wheels | 39.2 (7.2)        | 30.1 (9.4)        | -                 | -                 |                 |  |
|   | 19" wheels | 38.2 (7.4)        | 29.4 (9.6)        | -                 | -                 |                 |  |
|   | 20" wheels | 38.2 (7.4)        | 29.4 (9.6)        | 21.4 (13.2)       | -                 |                 |  |
|   | 21" wheels | 37.7 (7.5)        | 29.1 (9.7)        | 21.2 (13.3)       | 20.6 (13.7)       |                 |  |
| Fuel consumption <sup>2</sup> , mpg (l/100km) Extra Urban | 18" wheels | 58.9 (4.8)        | 47.1 (6.0)        | -                 | -                 |                 |  |
|   | 19" wheels | 56.5 (5.0)        | 46.3 (6.1)        | -                 | -                 |                 |  |
|   | 20" wheels | 56.5 (5.0)        | 46.3 (6.1)        | 39.2 (7.2)        | -                 |                 |  |
|   | 21" wheels | 55.4 (5.1)        | 45.6 (6.2)        | 38.2 (7.4)        | 35.8 (7.9)        |                 |  |
| Fuel consumption <sup>2</sup> , mpg (l/100km) Combined    | 18" wheels | 49.6 (5.7)        | 39.2 (7.2)        | -                 | -                 |                 |  |
|   | 19" wheels | 47.9 (5.9)        | 38.2 (7.4)        | -                 | -                 |                 |  |
|   | 20" wheels | 47.9 (5.9)        | 38.2 (7.4)        | 30.1 (9.4)        | -                 |                 |  |
|   | 21" wheels | 47.1 (6.0)        | 37.7 (7.5)        | 29.4 (9.6)        | 28.2 (10.0)       |                 |  |

<sup>1</sup>The given value was obtained in accordance with the specified measurement procedure (the respective current version of the Directive 80/1269/EEC).

<sup>2</sup>Fuel consumption and CO<sub>2</sub> emissions figures are obtained under standardised test conditions (Directive 93/116/EEC) using a representative model. This allows direct comparison between different models from different manufacturers, but may not represent the actual fuel consumption achieved in 'real world' driving conditions. More information is available at [www.dft.gov.uk/vca](http://www.dft.gov.uk/vca)

**Please note:** The maximum power output figures are quoted in PS (or Pferdestärke, which is the metric equivalent of brake horsepower). To convert to brake horsepower, divide the PS figure by 1.0139.

Standard EU test figures for comparative purposes and may not reflect real driving results.

Optional wheels may also affect emissions and fuel consumption figures.

# A8 long wheelbase technical data

|   | Petrol            | Diesel            |                   |
|---|-------------------|-------------------|-------------------|
| Engine  | 6.3 W12 quattro   | 3.0 TDI quattro   | 4.2 TDI quattro   |
| Transmission  | 8-speed tiptronic | 8-speed tiptronic | 8-speed tiptronic |
| Cylinder  | 12-cylinder       | 6-cylinder        | 8-cylinder        |
| Displacement, cubic cm  | 6299              | 2967              | 4134              |
| Max. power <sup>1</sup> , PS at rpm                           | 500/6200          | 262/4000-4250     | 385/3750          |
| Max. torque, Nm at rpm  | 625/4750          | 580/1750-2500     | 850/2000-2750     |
| Top speed <sup>2</sup> , mph                                  | 155*              | 155*              | 155*              |
| 0-62mph acceleration, seconds                                 | 4.6               | 6.1               | 4.7               |
| ABI insurance group 1-50**                                    | 50E               | 47E               | 50E               |
| Unladen weight <sup>3</sup> , kg                              | 2075              | 1935              | 2095              |
| Gross weight limit, kg  | 2675              | 2585              | 2720              |
| Roof load limit/nose weight, kg                               | 100/95            | 100/95            | 100/95            |
| Max. trailer load unbraked <sup>4</sup> , kg                  | 750               | 750               | 750               |
| Max. trailer load with 12% gradient <sup>4</sup> , kg         | 2300              | 2200              | 2300              |
| Max. trailer load with 8% gradient <sup>4</sup> , kg          | 2300              | 2200              | 2300              |
| Luggage compartment capacity, litres                          | 520               | 490               | 490               |
| Fuel tank capacity approx, litres                             | 82                | 82                | 82                |
| Adblue <sup>®</sup> tank approx capacity, litres <sup>^</sup> | n/a               | 27                | 27                |
| Emission standard   | EU6               | EU6 <sup>^</sup>  | EU6 <sup>^</sup>  |

\*Electronically limited.

<sup>^</sup>The addition of AdBlue<sup>®</sup> technology ensures compliance with EU6 emission standards. The use of AdBlue<sup>®</sup> will vary based on a number of conditions and the tank requires refilling when indicated on the instrument cluster.

\*\*Highest insurance group rating shown. Group may be lower dependent on trim level. Please visit [www.thatcham.org/abigrouprating](http://www.thatcham.org/abigrouprating) for details.

<sup>1</sup>The given value was obtained in accordance with the specified measurement procedure (the respective current version of the Directive 80/1269/EEC).

<sup>2</sup>Regulated.

<sup>3</sup>Vehicle unladen weight without driver (calculated in accordance with the current version of Directive 80/1268/EEC). The fitting of additional equipment may increase the vehicle's unladen weight and drag coefficient, whereupon the potential carrying capacity and top speed will be correspondingly reduced.

<sup>4</sup>The engine's power output always goes down with increasing altitude. At 1,000m above sea level, and for every additional 1,000m, deduct 10% from the weight of the outfit (trailer load limit + gross weight of the towing vehicle).

**Please note:** The maximum power output figures are quoted in PS (or Pferdestärke, which is the metric equivalent of brake horsepower). To convert to brake horsepower, divide the PS figure by 1.0139.

# A8 long wheelbase technical data

Depending upon your chosen A8 wheel size, different efficiency figures for CO2 emissions and fuel consumption will apply (based on EU directive no. 715/2007 effective from 01/09/14). This table is a quick reference guide to assist you in finding the correct values based on wheel sizes and chosen engine.

| Engine  |            | Petrol            |                 | Diesel            |  |
|---|------------|-------------------|-----------------|-------------------|--|
|   |            | 6.3 W12 quattro   | 3.0 TDI quattro | 4.2 TDI quattro   |  |
| Transmission  |            | 8-speed tiptronic |                 | 8-speed tiptronic |  |
| Max. power <sup>1</sup> , PS at rpm                       |            | 500/6200          |                 | 262/4000-4250     |  |
| CO <sub>2</sub> emissions <sup>2</sup> , g/km             | 18" wheels | -                 | 153             | 190               |  |
|   | 19" wheels | 254               | 159             | 194               |  |
|   | 20" wheels | 254               | 159             | 194               |  |
|   | 21" wheels | -                 | -               | -                 |  |
| Benefit in kind 2016/17 tax year (BIK)%                   | 18" wheels | -                 | 30%             | 37%               |  |
|   | 19" wheels | 37%               | 31%             | 37%               |  |
|   | 20" wheels | 37%               | 31%             | 37%               |  |
|   | 21" wheels | -                 | -               | -                 |  |
| Fuel consumption <sup>2</sup> , mpg (l/100km) Urban       | 18" wheels | -                 | 38.2 (7.4)      | 29.7 (9.5)        |  |
|   | 19" wheels | 18.5 (15.3)       | 37.2 (7.6)      | 29.1 (9.7)        |  |
|   | 20" wheels | 18.5 (15.3)       | 37.2 (7.6)      | 29.1 (9.7)        |  |
|   | 21" wheels | -                 | -               | -                 |  |
| Fuel consumption <sup>2</sup> , mpg (l/100km) Extra Urban | 18" wheels | -                 | 57.6 (4.9)      | 47.1 (6.0)        |  |
|   | 19" wheels | 33.6 (8.4)        | 55.4 (5.1)      | 45.6 (6.2)        |  |
|   | 20" wheels | 33.6 (8.4)        | 55.4 (5.1)      | 45.6 (6.2)        |  |
|   | 21" wheels | -                 | -               | -                 |  |
| Fuel consumption <sup>2</sup> , mpg (l/100km) Combined    | 18" wheels | -                 | 48.7 (5.8)      | 38.7 (7.3)        |  |
|   | 19" wheels | 25.7 (11.0)       | 47.1 (6.0)      | 38.2 (7.4)        |  |
|   | 20" wheels | 25.7 (11.0)       | 47.1 (6.0)      | 38.2 (7.4)        |  |
|   | 21" wheels | -                 | -               | -                 |  |

<sup>1</sup>The given value was obtained in accordance with the specified measurement procedure (the respective current version of the Directive 80/1269/EEC).

<sup>2</sup>Fuel consumption and CO<sub>2</sub> emissions figures are obtained under standardised test conditions (Directive 93/116/EEC) using a representative model. This allows direct comparison between different models from different manufacturers, but may not represent the actual fuel consumption achieved in 'real world' driving conditions. More information is available at [www.dft.gov.uk/vca](http://www.dft.gov.uk/vca)

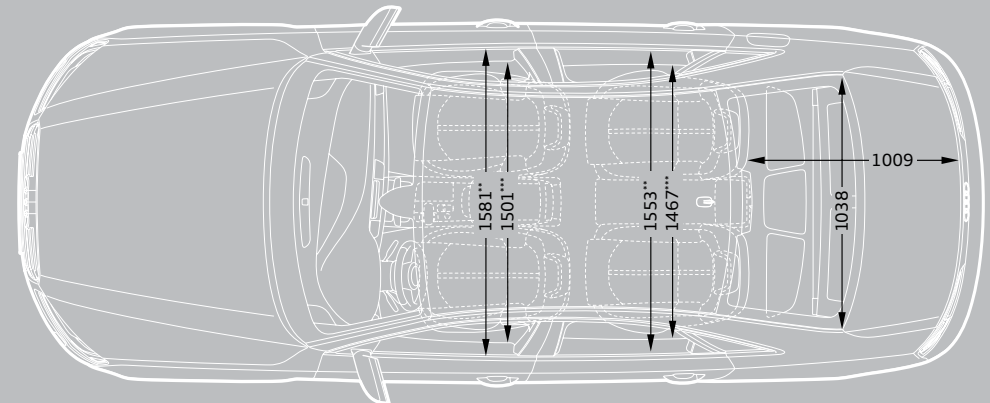
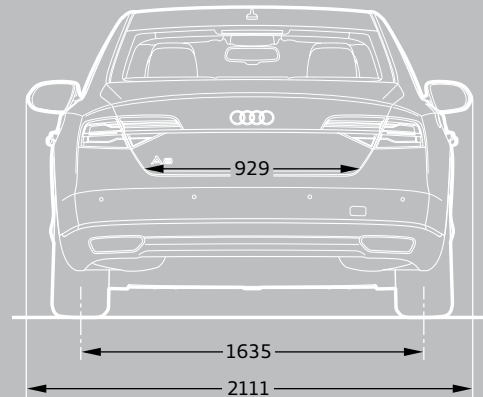
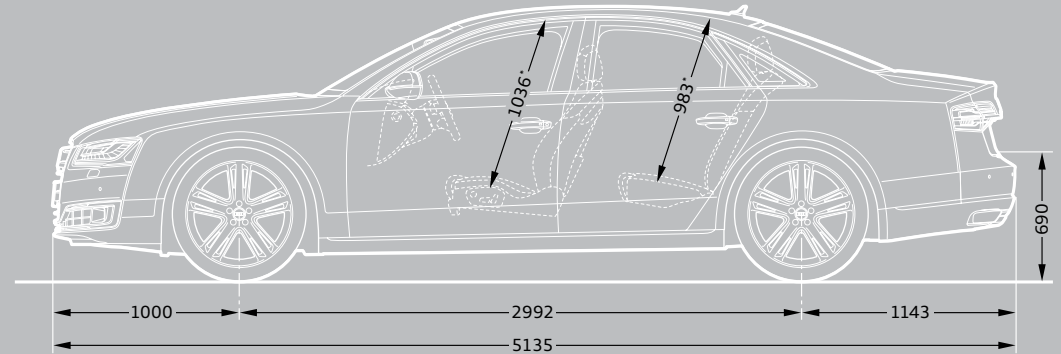
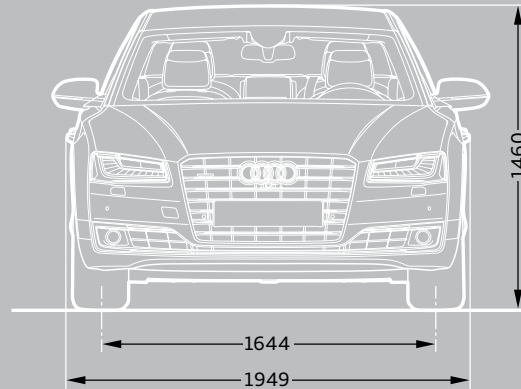
**Please note:** The maximum power output figures are quoted in PS (or Pferdestärke, which is the metric equivalent of brake horsepower). To convert to brake horsepower, divide the PS figure by 1.0139.

Standard EU test figures for comparative purposes and may not reflect real driving results.

Optional wheels may also affect emissions and fuel consumption figures.

# A8 dimensions

The technical drawings opposite show the exact dimensions of the Audi A8, so you can check everything – from whether the car will fit in your garage to whether your luggage will fit in the boot.



Dimensions in millimetres. Optional equipment may affect dimensions.

\*Maximum headroom, depending on model equipment.

\*\*Elbow room width.

\*\*\*Shoulder room width.

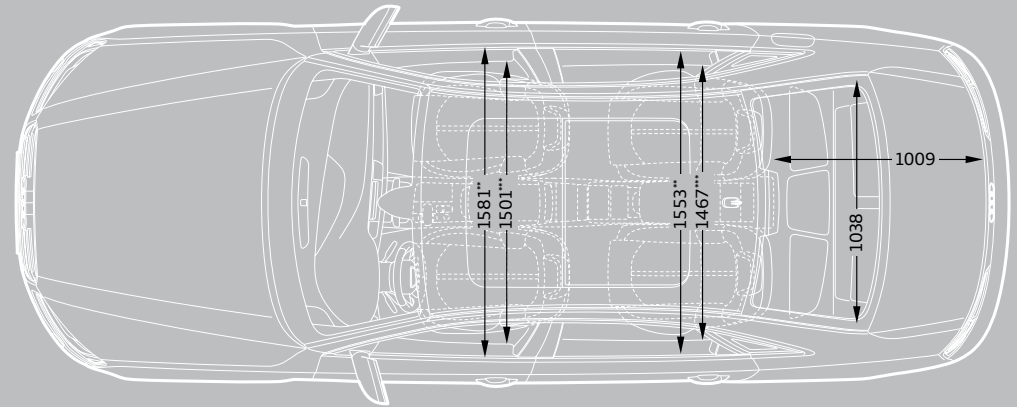
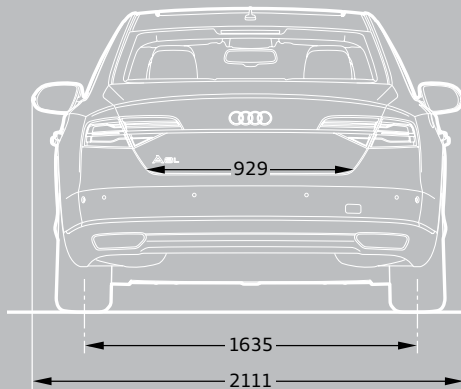
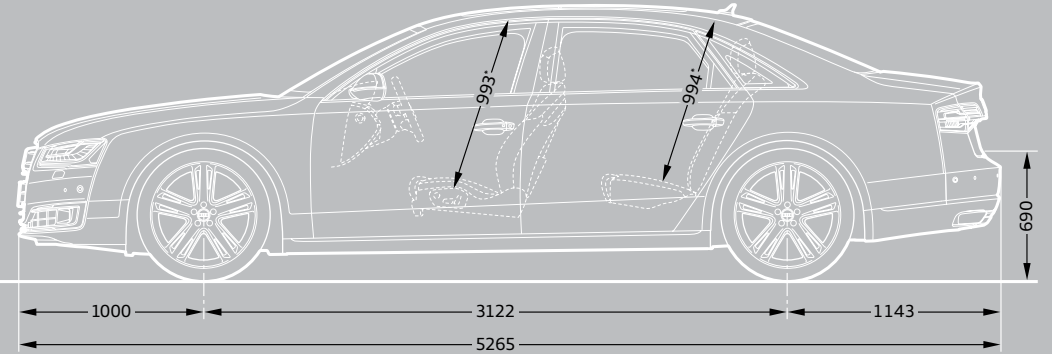
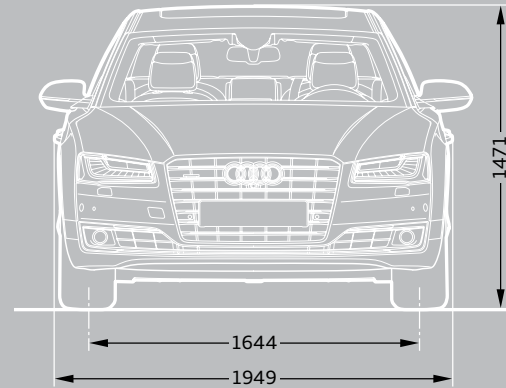
Turning circle approx 12.3 metres.

Dimensions were measured with vehicle at unladen weight, ground clearance measured with vehicle carrying its maximum load. Luggage compartment volume in litres: 520 (as measured by the VDA standard test method using 200 x 100 x 50mm blocks). Diesel models have 30 litres less luggage space.



# A8 long wheelbase dimensions

The technical drawings opposite show the exact dimensions of the Audi A8 long wheelbase, so you can check everything – from whether the car will fit in your garage to whether your luggage will fit in the boot.



Dimensions in millimetres. Optional equipment may affect dimensions.

\*Maximum headroom, depending on model equipment.

\*\*Elbow room width.

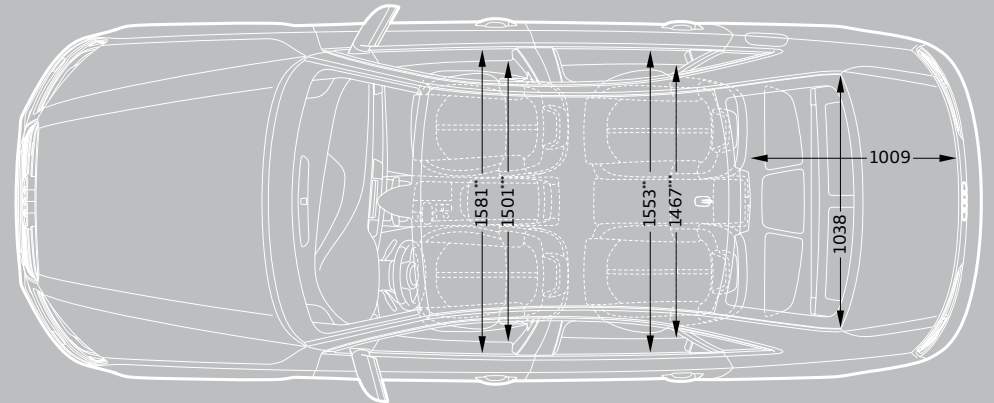
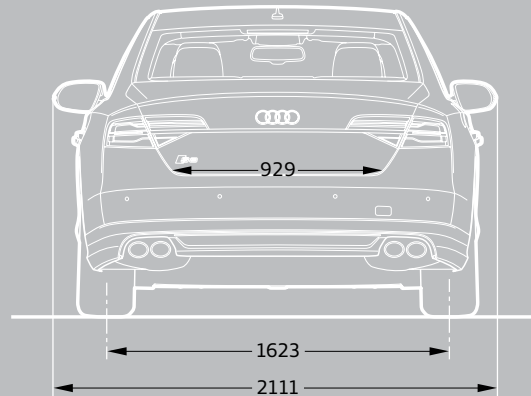
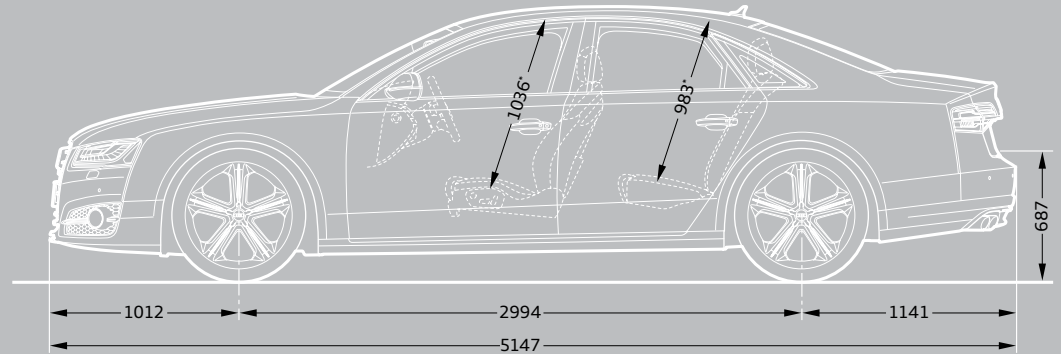
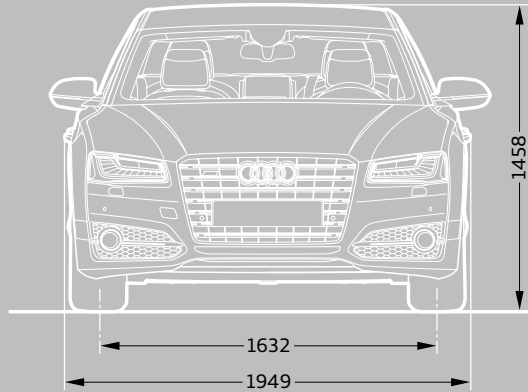
\*\*\*Shoulder room width.

Turning circle approx 12.3 metres.

Dimensions were measured with vehicle at unladen weight, ground clearance measured with vehicle carrying its maximum load. Luggage compartment volume in litres: 520 (as measured by the VDA standard test method using 200 x 100 x 50mm blocks). Diesel models have 30 litres less luggage space.

# S8 dimensions

The technical drawings opposite show the exact dimensions of the Audi S8, so you can check everything – from whether the car will fit in your garage to whether your luggage will fit in the boot.



Dimensions in millimetres. Optional equipment may affect dimensions.

\*Maximum headroom.

\*\*Elbow room width.

\*\*\*Shoulder room width.

Turning circle approx 12.3 metres.

Dimensions were measured with vehicle at unladen weight, ground clearance measured with vehicle carrying its maximum load. Luggage compartment volume in litres: 520 (as measured by the VDA standard test method using 200 x 100 x 50mm blocks).

# Important information

## Welcome to Audi

By placing an order for your Audi, you're choosing to drive a car created in the spirit of Vorsprung durch Technik. And because we believe the service we offer should reflect the quality of our cars, we want to let you know exactly what you can expect from us, now and in the future.

## Audi Customer Care

Every new Audi benefits from the comprehensive Audi Customer Care Package, which comprises:

- ▶ A three-year Audi warranty, which covers you for unlimited mileage in the first two years of ownership, with a full mechanical and electrical warranty which covers you for up to 60,000 miles in the third year
- ▶ A three-year paint warranty
- ▶ A 12-year anti-corrosion warranty
- ▶ Three years' UK roadside assistance and recovery
- ▶ A three-year Accessories warranty on any accessories purchased with your car (two-year warranty if purchased separately from your new Audi)\*

You also have the option when ordering your new car of choosing a four-year or five-year Audi warranty. Speak to a member of the sales team for more information. Warranty terms and conditions apply. Please see [www.audi.co.uk/warrantyterms](http://www.audi.co.uk/warrantyterms) for further details.

## Information in this guide

We've done all we can to make the prices, specifications, technical details and all other information you see in this guide accurate at the time of publication. However, as our products are constantly being updated, we recommend checking the details with your Audi Centre. We reserve the right to change prices or specifications at any time.

All prices are subject to VAT, currently charged at 20%, but this may alter to reflect any change in the applicable VAT rate.

Delivery charges and number plates are not included in the Total RRP inc VAT vehicle price.

|                 |         |
|-----------------|---------|
| Delivery charge | £504.99 |
| Number plate    | £20.00  |
| VAT             | £105.01 |
| Total           | £630.00 |

Recommended On-The-Road (OTR) prices include the delivery and number plate charges above, Road Fund Licence (which may vary depending on model/transmission – see table for details) and first registration fee at £55.00.

The images featured in this guide are for illustrative purposes only. They may feature left-hand drive vehicles and include equipment that is not UK specification.

## CO2 data and information

### CO2 emissions-based Vehicle Excise Duty

Vehicle Excise Duty (Road Fund Licence) is based upon the amount of Carbon Dioxide (CO<sub>2</sub>) a vehicle emits, measured in grams per kilometre (g/km). First-year VED rates apply to the first year of ownership. Annual VED rates apply thereafter. The DVLA has created 13 categories:

| Petrol and Diesel engines | First year | Annual rate (second year onwards) |
|---------------------------|------------|-----------------------------------|
| A – up to 100g/km         | £0.00      | £0.00                             |
| B – 101 to 110g/km        | £0.00      | £20.00                            |
| C – 111 to 120g/km        | £0.00      | £30.00                            |
| D – 121 to 130g/km        | £0.00      | £110.00                           |
| E – 131 to 140g/km        | £130.00    | £130.00                           |
| F – 141 to 150g/km        | £145.00    | £145.00                           |
| G – 151 to 165g/km        | £185.00    | £185.00                           |
| H – 166 to 175g/km        | £300.00    | £210.00                           |
| I – 176 to 185g/km        | £355.00    | £230.00                           |
| J – 186 to 200g/km        | £500.00    | £270.00                           |
| K – 201 to 225g/km        | £650.00    | £295.00                           |
| L – 226 to 255g/km        | £885.00    | £500.00                           |
| M – over 255g/km          | £1,120.00  | £515.00                           |

Vehicle Excise Duty (VED) rates correct at time of going to print, but these may alter to reflect any change in the applicable VED rate.

\*Excludes Road Angel products.

### **Audi tax-free sales**

If you are entitled to purchase a vehicle free of VAT, normally through military or diplomatic privilege, please contact your local Audi Centre for full details.

Should you have any difficulty obtaining the information you require, please call 0870 241 5663.

### **Audi Financial Services**

Audi Financial Services specialises in providing funding solutions for Audi drivers. Whether your Audi is for private or business use, there is a range of funding options to choose from.

Below is the full range of finance products, which comprises:

- ▶ Solutions – a Personal Contract Plan
- ▶ Hire purchase
- ▶ Lease purchase
- ▶ Finance lease
- ▶ Contract hire

With all products, you can choose a fixed-cost maintenance plan designed to help you budget accurately.

No matter which Audi model you choose, your local Audi Centre can provide you with a personalised quote designed to fit your budget and motoring needs.

Audi Financial Services is a trading name of Volkswagen Financial Services (UK) Limited. An offer of finance depends on certain conditions. Available to people over 18 in the UK only.

### **Audi Insurance**

To ensure you can start enjoying your new car from day one, the first five days' insurance is included as standard with all new Audi models. To activate simply call 0330 303 6900, provide us with a few details, and we'll send a cover note to your Audi Centre. They will then tax your car and you can drive it away. Telephone lines are open Monday to Friday 8am–8pm and Saturday 9am–4pm. For details of our full range of Insurance products visit [www.insurewithaudi.co.uk](http://www.insurewithaudi.co.uk)

### **Audi Connect**

An external data source is required to enable Audi Connect online services. One of two can be used:

1. A Bluetooth compatible mobile telephone with remote SIM Access Profile (rSAP). For mobile phone and software compatibility please visit [www.audi.co.uk/phonecompatibility](http://www.audi.co.uk/phonecompatibility) or your Audi Centre.
2. A separate SIM card which can be inserted in the included SIM card reader. When a separate SIM card is used, hands-free phone calls are possible using the SIM card or by connecting a different mobile telephone via Bluetooth Hands-Free Profile. For mobile phone and software compatibility please visit [www.audi.co.uk/phonecompatibility](http://www.audi.co.uk/phonecompatibility) or your Audi Centre.

Online services will only be available within the coverage of the mobile phone network; there may be additional costs for the use of these services (charges and billing correspond to the personal mobile phone contract or SIM card contract). Due to high data volumes, a mobile phone contract including an unlimited or high usage data plan is strongly recommended. The content and scope of the online-based services offered may vary.

When ordered as an option, a 36-month Audi Connect subscription is provided with your vehicle. The subscription runs from the point of vehicle delivery. Should you wish to continue to use Audi Connect after 36 months, please consult your Audi Centre for details (including the latest subscription fees).

Audi Connect services listed are correct at time of publication. We may add, change, replace or remove individual Audi Connect services or features at any time during your subscription.

Audi Connect enables access to the services of Google and Twitter. Permanent availability cannot be guaranteed as this is the responsibility of Google and Twitter. Google and the Google logo are registered trademarks of Google Inc.

The availability of services supported by Audi Connect varies from country to country and is dependent on the capability of your mobile phone. For mobile phone and software compatibility please visit [www.audi.co.uk/phonecompatibility](http://www.audi.co.uk/phonecompatibility) or your Audi Centre.



