

CORSAVAN

2014 Models Edition 1



Proud Sponsor of Home Nations Football



The Wheels of Business. Helping you deliver.

Whatever your line of business, Vauxhall Commercial Vehicles can help you deliver. With four different models we offer a massive choice of almost 300 variants including panel vans, chassis cabs, crew cabs, platform cabs,

tippers, dropsides, box vans and passenger carriers. We're also committed to keeping your business moving. That means reliable, fuel-efficient vehicles – including our new ecoFLEX range – supported by a dedicated network of over 450 retailers offering



the expert support and back-up you need. We build more commercial vehicles at our British production facilities than any other UK manufacturer. We've also won over 20 industry awards since 2010 – major awards,

presented by some of the toughest judges in the business. Introduce the in-built reassurance of the Vauxhall brand and it's easy to see why Vauxhall Commercial Vehicles really are 'The Wheels of Business'.





06	Loadspace
08	Dynamics and efficiency
10	Corsavan
12	Corsavan Sportive

14	Options and accessories
16	Customer testimonials
18	Equipment and technical data
22	Colour availability



Corsavan. The small van that gives you more.

Small enough for congested city streets, yet big enough to eat up the miles on the open road, Corsavan matches stunning looks with a dynamic chassis, spacious cabin and high levels of safety and security. The load area is also easy to access, with purpose-built load protection and a class-leading 550kg payload.

On the road, few vans can match Corsavan's low running costs. Our 95PS 1.3CDTi 16v ecoFLEX diesel engine – in particular – matches superb driveability with low emissions and excellent fuel economy. Thanks to innovative Start/Stop technology and an array of engineering enhancements this engine boasts an incredible CO₂ of just 88g/km.

Inside, the Corsavan cabin is built for long-term driver comfort complete with interior detailing, supportive seats and plenty of useful in-cab storage for paperwork, drinks and other essentials.

With a choice of engines and two models, Corsavan and Corsavan Sportive – the latter complete with body-colour detailing, 15-inch alloy wheels, a 1.3CDTi 16v (95PS) common rail turbo diesel engine and six-speed gearbox – it's clear to see it's the small van that gives you more.



WINNER
Corsavan
Small Van
of the Year



WINNER
Green award
for ecoFLEX

Some of the vehicles shown in this brochure include options and accessories available at extra cost. And not all of the features described are available on every model. So please check the equipment and technical data section for further details. From time to time, we also offer alternative models such as Special Editions which are featured in separate literature or can be found on the Vauxhall website: www.vauxhall.co.uk/vans





Loadspace

Corsavan takes its load carrying duties very seriously, with strong attention to detail in areas that really matter. A tall, wide tailgate aperture makes it easy to load. The long, high load area has superb load and occupant protection features. Most of all, it carries an impressive 550kg maximum payload – a figure that puts all its competitors in the shade.

Easy loadability

Corsavan has never been easier to load. The tall tailgate aperture allows larger items to be loaded. The tailgate itself lifts high (for good headroom) and extends down into the bumper making for a low loading height.

Load protection

A sturdy steel floor and half-height steel bulkhead, tough sidewall half-height panelling and load restraint lashing eyes are all standard. An upper load restraint mesh, fitted rubber floor mat and four-piece load compartment cover are optional for even more load protection.

Loadspace dimensions*	mm	inches
Maximum load floor length	1257	49.5
Maximum load area height	924	36.4
Maximum load area width	1264	49.8
Width between wheel arches	969	38.1
Load sill height (unladen)	691	27.2
Maximum tailgate aperture height	650	25.6
Maximum tailgate aperture width	980	38.6
Loadspace volume	cu.m	cu.ft
Maximum loadspace volume (VDA method)	0.92	32.5

*Please refer to pages 21–23 of the technical data section for more detailed loadspace, weight and towing data.

Features include:

- > 550kg maximum payload
- > Steel load area floor
- > Half-height steel bulkhead
- > Sidewall half-height panelling
- > Load restraint lashing eyes
- > Upper load restraint mesh (optional)
- > Fitted rubber floor mat (optional)
- > Four-piece load compartment cover (optional)



Dynamics and efficiency

Driving comfort, affordability and safety are major considerations for any busy working van driver. So Corsavan's car-like ride and handling help ensure a comfortable and relaxing day at the wheel – especially with modifications to the spring, damper and anti-roll bar settings providing even more driving comfort. Anti-lock Braking System (ABS) with electronic brakeforce distribution is standard, as is speed-sensitive power-assisted steering, making Corsavan especially easy to manoeuvre and park.



Corsavan ecoFLEX model

With a smooth and flexible Euro 5 compliant 1.3CDTi 16v (95PS) turbo diesel engine matched with the latest Start/Stop technology, at just 88g/km CO₂ the Corsavan ecoFLEX model is amongst the leaders in its class for vehicle CO₂ emissions.

ecoFLEX technology

The ecoFLEX model employs a series of advanced features that help limit emissions and reduce the fuel consumption. For example a variable geometry turbocharger is fitted together with optimised gear ratios and low rolling resistance tyres.

To achieve better aerodynamics the chassis is also lowered and specific aerodynamic wheel covers are fitted. There's even a shift-up indicator light on the instrument cluster that illuminates, alerting the driver to the optimum time a gear change is required.

Start/Stop technology

Start/Stop is a clutch pedal based system which switches the engine off when you stop at the lights or in traffic, then restarts it automatically once the clutch is depressed, saving fuel and reducing emissions even further. The engine stop is indicated by the rev counter needle in the AUTOSTOP position. The system can be deactivated manually simply by pressing the ECO button on the fascia. This technology is now available with both petrol and diesel models.

1.3CDTi 16v common rail diesel

Sportive models take our 1.3CDTi 16v (95PS) common rail diesel engine matched to a six-speed gearbox. This delivers outstanding performance combined with excellent fuel economy.

1.2i 16v Twinport

The 70PS 16v petrol engine uses advanced Twinport technology for increased performance and fuel economy and meets Euro 5 emission standards.

Dynamic Safety Suspension

When any vehicle brakes on surfaces with differing levels of grip (eg. gravel

or mud versus dry tarmac), there is always the potential for loss of control. Corsavan's dynamic safety suspension helps correct this tendency, making the van safer under 'break away' conditions.

or mud versus dry tarmac), there is always the potential for loss of control. Corsavan's dynamic safety suspension helps correct this tendency, making the van safer under 'break away' conditions.

Electronic Stability Programme-plus

The optional ESP-plus with enhanced understeering control works in conjunction with the vehicle's traction control system to help you maintain control during adverse or emergency conditions. Traction control also stops wheelspin during acceleration.



Start/Stop ECO button

By pressing the ECO button, Start/Stop can be enabled and disabled manually.

Choice of engines

- > 1.2i 16v (70PS/115Nm)*
- > 1.2i 16v (70PS/115Nm) Start/Stop*
- > 1.3CDTi 16v (75PS/190Nm)*
- > 1.3CDTi 16v (75PS/190Nm) Start/Stop*
- > 1.3CDTi (95PS/190Nm) ecoFLEX Start/Stop*
- > 1.3CDTi 16v (95PS/210Nm)**

Features include:

- > Five-speed manual gearbox*
- > Six-speed manual gearbox**
- > Anti-lock Braking System with electronic brakeforce distribution
- > Electric speed-sensitive power-assisted steering
- > Dynamic safety suspension
- > Three-year manufacturer's warranty consisting of a one-year/unlimited mileage warranty plus a second and third year warranty up to 60,000 miles

*Excluding Sportive models.
**Sportive models only.

Corsavan

Known simply as Corsavan, the base model features stunning looks and yet still provides a well-equipped and cost-efficient introduction to the model line-up. Drivers can choose between a range of highly responsive yet economical engines, including a 1.2i 16v (70PS) Start/Stop model and an ultra-efficient 1.3CDTi 16v (95PS) ecoFLEX Start/Stop model that boasts just 88g/km CO₂ output.



Stylish interior

Corsavan models are distinguished by a matt chrome-effect centre console. Model illustrated features air conditioning and passenger's airbag, both optional at extra cost.



In-cab stowage

In-cab stowage features include a passenger's underseat storage tray.



Electrically adjustable door mirrors

Body-colour and fitted as standard. Electric windows are optional at extra cost.

Corsavan features include:

- › Charcoal Reflection cloth seat trim
- › Driver's dual-stage airbag
- › Pyrotechnic body-lock seatbelt pretensioners
- › Anti-lock braking system
- › Emergency brake assist
- › Electronic brakeforce distribution
- › Electronic engine deadlock immobiliser
- › Remote control central locking with security deadlocks
- › Speed-sensitive electric power-assisted steering
- › Five-speed manual gearbox
- › Matt chrome-effect centre console
- › CD/MP3 CD player/stereo radio/aux-in socket
- › Body-colour electrically adjustable door mirrors



Engines/insurance

> 1.2i16v (70PS)	1E
> 1.2i16v (70PS) Start/Stop	1E
> 1.3CDTi16v (75PS)	1E
> 1.3CDTi16v (75PS) Start/Stop	1E
> 1.3CDTi16v (95PS) ecoFLEX Start/Stop	1E

Corsavan Sportive

With striking looks, two-coat metallic paint, body-colour detailing, front fog lights and 15-inch alloy wheels – and power provided by a more potent 95PS 1.3CDTi 16v turbo diesel engine – Sportive brings a touch of class to the Corsavan line-up.

Inside, too, Corsavan Sportive adds fresh appeal that's bound to excite any small van user. With additional piano black interior detailing and standard features that include reach and rake-adjustable steering, it's perfect for the business that's going places in style.



Sporty interior

Piano black centre console and sports instruments add an extra touch of style to the Sportive interior. Model illustrated features passenger's airbag, optional at extra cost.



Six-speed manual gearbox

Sportive models feature a smooth six-speed manual gearbox as standard.



Reach and rake-adjustable steering

Enables operators to achieve the ideal driving position.

Additional features over and above base model include:

- › Sports-style seats with Twist trim
- › Driver's seat height adjuster
- › Steering column adjustable for reach and rake
- › Air conditioning
- › Electrically operated windows
- › Piano black centre console
- › Sports instruments
- › Six-speed manual gearbox
- › Electrically adjustable/heated door mirrors
- › Body-colour door handles
- › Dark-style tail lights
- › Front fog lights
- › 15-inch alloy wheels
- › Sportive badge
- › Sports chrome exhaust tailpipe
- › Two-coat metallic or pearlescent paint
- › Dark-tinted rear window

Engine/insurance

> 1.3CDTi16v (95PS)

1E



Options

Vauxhall options and accessories are all about choice – selecting your Corsavan then personalising it to suit the way you work. There's a choice of factory-fitted options and a huge range of retailer-fit accessories. You can also choose styling products from the VXR range. For further information please ask your Vauxhall Commercial Vehicle retailer.



Load restraint mesh

Sturdy steel upper load restraint mesh provides added protection against shifting loads.



Load cover/floor mat

Four-piece load compartment cover hides contents from prying eyes whilst a fitted rubber floor mat safeguards the cargo area.



Cruise control*

Allows you to maintain a steady speed and keep to the speed limit.

Individual options include:

- › Touch and Connect touch-screen satellite navigation system
- › ESP-plus
- › Passenger's airbag
- › Rear parking distance sensors
- › Load area rubber floor mat
- › Four-piece load compartment cover
- › Upper load restraint mesh

Option Packs:

Plus Pack**

- › Driver's seat height adjuster
- › Steering column adjustable for reach and rake

Technical Pack

- › Cruise control
- › Multi-function trip computer

*Available as part of the optional Technical Pack.
**Standard on Sportive models.

Accessories

Genuine Vauxhall Accessories are the right choice for your Corsavan. The list below is just a small sample of the range available. For a full list, please refer to the Vauxhall Commercial Vehicle Price Guide or check out our website at: www.vauxhall.co.uk/accessories



Base carrier

Our roof rack system begins with this base carrier, comprising two T-track bars. Compatible with a range of Thule attachments.



Rubber floor mats (pair)

To protect your interior from everyday wear and tear. All come with secure fixings and an anti-slip underside.



Detachable tow bar

Comes complete with 12N electrics and is easily mounted and detached allowing you to take to the road effortlessly.

Accessories include:

- > Mudflaps
- > Steering wheel security bar
- > Anti-slip mat (915mm x 915mm)
- > MetaSystem alarm
- > MetaSystem rear parking distance sensors
- > Safety Pack (warning triangle, first aid kit and hi-visibility vest)
- > Smoker Pack (cigarette lighter and ashtray)

Corsavan VXR Styling Pack

Comprises front lower spoiler, side sills, rear roof spoiler and rear lower skirt.



Vauxhall Commercial Vehicles

The wheels of your business.

Whatever your load, Vauxhall Commercial Vehicles are designed to help you deliver a top quality job. And models like Corsavan can actively enhance the operating efficiency of your business by delivering outstanding load-carrying potential, low running costs and day-long driver comfort. Whichever Commercial Vehicle you choose, you can rest assured that Vauxhall's nationwide network of retailers will go the extra mile to meet all your servicing and maintenance needs.

But why take our word for it? Vauxhall's commitment to keeping your business moving is recognised by van operators of all sizes across the length and breadth of the country...



Russell Lelliot, Managing Director, RSL Transport said...

'We've been running Movanos for years. Our two new Movanos save around 4mpg when full, compared to the old models. Which over almost 3,000 miles per week per van, is a big saving!'



Richard Fox, Managing Director of ITE Projects said...

'We rely totally on our vehicles to ensure we are available 24/7 to service our customers' critical requirements. The Combo van is proving to be as reliable as we are.'

Andrew Cook, Rail Structures Examiner, Amey PLC said...

'The reasons I drive Vivaro? Simple. It's comfortable, the driving position and visibility are great and it's surprisingly compact. This makes it ideal for some of the limited access situations we encounter.'





WINNER
Corsavan
Small Van
of the Year



WINNER
Green award
for ecoFLEX



Mike Sinclair, Senior Property Partner, Aberdeen Considine said...

'We originally selected the Corsavan Sportive for its low running costs and great looks. But it was also important that the vans reflected the professional service that we've worked so hard to deliver to our clients throughout Scotland. Across the fleet of 23 diesel Corsavans, we're achieving an average of up to 65mpg on some vehicles.'



Front door pockets.



Rev counter.

Safety

Standard features • Driver's dual-stage airbag • Pedal release system – Reduces potential injury to the driver's legs and feet during a severe frontal impact • Laminated windscreen • Side-impact protection beams • Fuel tank located ahead of rear axle • Anti-lock Braking System (ABS) with electronic brakeforce distribution • Straight line stability control – Optimises directional stability when braking • Cornering brake control – Makes the vehicle easier to control in extreme situations such as braking sharply on a bend • Drag torque control – Helps maintain stability when suddenly lifting off the accelerator • Emergency brake assist – Increases brake force applied in emergency braking situations • Adaptive brake lights – Brake lights flash when ABS is activated, thus warning following vehicles that heavy braking is in progress • Height-adjustable head restraints • Height-adjustable inertia-reel seatbelts • Pyrotechnic body-lock seatbelt pretensioner system – Tightens the diagonal belt during the early stages of a frontal impact • Driver's and passenger's seatbelt force limiters – Reduces potential upper body injuries during a frontal impact • Driver's seatbelt unfastened audible warning • Anti-submarining ramps in seats – Helps prevent occupants sliding underneath the lap belt during a collision

Additional features	Corsavan	Sportive
Passenger's dual-stage airbag	<input type="radio"/>	<input type="radio"/>
Electronic Stability Programme - plus with traction control – see page 9	<input type="radio"/>	<input type="radio"/>

Security

Standard features • Electronic theft protection for audio equipment • Electronic engine deadlock immobiliser • 'Key left in ignition' audible warning • Visible Vehicle Identification Number (VIN) • Freewheeling door locks • Door-to-door illumination – Keeps the headlights and rear lights on for 30 seconds after the front doors are locked • Remote control central locking (doors, tailgate, fuel flap) with security deadlocks

Facia, instruments and controls

Standard features • Multi-function display panel showing time, date, audio information and outside air temperature (with ice warning function) • Digital clock with automatic RDS time adjustment • Adjustable speed limit audible warning – Allows the driver to set the speed above which an alarm sounds • Trip odometer • Rev counter • Electronically controlled fuel gauge • Low fuel level warning light • Headlight/brake light bulb failure warning light • Service-due indicator • Shift-up indication light • Handbrake-on warning light • Instrument panel light dimmer • Lights-on audible warning • Electric headlight beam levelling • Glovebox with lid

Additional features	Corsavan	Sportive
Steering column adjustable for reach and rake	<input type="checkbox"/>	●
Sports instruments		●

Audio, communication and navigation

Features	Corsavan	Sportive
CD/MP3 CD player/stereo radio (CD 30 MP3) • CD/MP3 CD player • Aux-in socket • AM/FM stereo radio with 36 station presets • RDS with Traffic Programme • Remote display • 20 watts per channel output	●	●
Touch and Connect multi-media unit • Touch-screen satellite navigation system • Mobile phone system with Bluetooth® • CD/MP3 CD player • Steering wheel mounted audio controls • USB connection with iPod control • Aux-in socket • AM/FM stereo with 40 station presets • RDS with Traffic Programme • 20 watts per channel output	○	○
Mobile phone system with Bluetooth® (does not include phone or phone-specific cradle), graphic information display and steering wheel mounted audio controls ¹	○	○

Heating and ventilation

Standard features • Side window demist vents and four adjustable heating and ventilation outlets • Air blend heater with four-speed fan and illuminated controls • Interior pollen filter • Interior odour-reducing activated charcoal filter ²		
Additional feature	Corsavan	Sportive
Air conditioning (includes air recirculation facility)	○	●

Seating

Standard features • Reclining front seats • Front passenger's underseat storage tray		
Additional features	Corsavan	Sportive
Reflection charcoal cloth trim	●	
Twist charcoal cloth trim with red stitching		●
Sports-style seats		●
Driver's seat height adjuster	□	●

Interior features

Standard features • Front door pockets • Chrome-effect door handles • Drinks holder and coin holders in centre console • Front tiltable driver's and passenger's assist handles • Dipping rear-view mirror • Interior courtesy light operated by door switches • Chrome-effect handbrake button • Translucent lighting for radio control		
Additional features	Corsavan	Sportive
Matt chrome-effect centre console	●	
Piano black centre console		●

Mechanical

Standard features • Front-wheel drive • Five-speed manual gearbox (excluding Sportive) • Six-speed manual gearbox (Sportive) • Speed-sensitive electric power-assisted steering – Provides light steering for parking with enhanced feedback at normal road speeds, without harming fuel economy • Gas-pressure dampers • Front anti-roll bar		
--	--	--



CD player/stereo radio (CD 30 MP3).



Driver's seat height adjuster – standard on Sportive.

- = Standard equipment.
- = Optional at extra cost.
- = Only available as part of an extra-cost option pack (see page 20 for details).

1 = Mobile phone system with Bluetooth® is not available when the Touch and Connect multi-media unit option is specified.

2 = Activated charcoal filter is not available on Sportive models and deleted if optional air conditioning is specified.



Load compartment cover (four-piece) and upper load restraint mesh.



Flush wheel covers.



ecoFLEX flush wheel covers.

Load area

Standard features • Glazed tailgate • Half-height steel bulkhead • Loadspace sidewall half-height protection panelling
• Load restraint lashing eyes • Illuminated load area

Additional features	Corsavan	Sportive
Upper load restraint mesh	○	○
Rubber floor mat	○	○
Load compartment cover (four-piece)	○	○

Exterior features

Standard features • Heated rear window • Intermittent rear window wash/wipe • Two-speed windscreen wipers with adjustable intermittent wipe • Tinted glass • Manually foldable door mirrors • High-level LED centre brake light • Rear fog light • Dual Ellipsoidal (DE) halogen headlights • Dark-style headlights • Twin electrically adjustable door mirrors (wide-angle on driver's side)
• Body-colour bumpers • Part body-colour door mirrors • Body-colour tailgate handle

Additional features	Corsavan	Sportive
Electrically operated windows with safety autoreverse and one-touch facility	○	●
Twin electrically heated door mirrors (wide-angle on driver's side)	○	●
Rear parking distance sensors	○	○
Two-coat metallic or pearlescent paint	○	●
Special paint (restrictions apply – please consult your retailer for availability)	○	
Front fog lights	○	●
Dark-style tail lights		●
Body-colour door handles		●
Dark-tinted rear window		●
Sports exhaust		●

Wheels and tyres

Features	Corsavan	Sportive
Flush wheel covers	●	
14-inch steel wheels with 185/70 R 14 low profile tyres (175/70 R 14 tyres – ecoFLEX models)	●	
15-inch alloy wheels with 185/65 R 15 low profile tyres (full-size steel spare)		●
14-inch steel spare wheel	●	

Option packs

	Corsavan	Sportive
Plus Pack		
• Driver's seat height adjuster • Steering column adjustable for reach and rake	○	●
Technical Pack		
• Cruise control • Multi-function trip computer	○	○

● = Standard equipment.
○ = Optional at extra cost.

Engines

	1.2i 16v Twinport with or without Start/Stop	1.3CDTi 16v (75PS) with or without Start/Stop	1.3CDTi 16v (95PS) ecoFLEX Start/Stop	1.3CDTi 16v (95PS)
Capacity	1229cc	1248cc	1248cc	1248cc
Maximum power	70PS (51kW) @ 5600rpm	75PS (55kW) @ 4000rpm	95PS (70kW) @ 4000rpm	95PS (70kW) @ 4000rpm
Maximum torque	115Nm (85 lb.ft.) @ 4000rpm	190Nm (140 lb.ft.) @ 1750-2250rpm	190Nm (140 lb.ft.) @ 1750-3250rpm	210Nm (155 lb.ft.) @ 1750-2500rpm
Configuration	4 cylinders, 4 valves per cylinder, double overhead camshafts			
Fuel/induction system	Naturally aspirated with vacuum-controlled Twinport inlet ports. Multi-point sequential fuel injection	Turbocharger with intercooler. Common rail fuel injection	Variable geometry turbocharger with intercooler. Common rail fuel injection	
Service interval	20,000 miles or one-year (whichever occurs sooner)			

Weights and towing data

Model	UK plated weights and kerbweights kg						Payload kg	Towing weights Trailer with brakes (without brakes) kg	Plated Gross Combination Weights (GCW) kg
	Front axle		Rear axle		Total	Kerb			
	Plated	Kerb	Plated	Kerb	GVW				
1.2i 16v	815	656	820	409	1615	1065	550	785 (500)	2400
1.2i 16v (a/c)	835	677	820	408	1635	1085	550	765 (500)	2400
1.3CDTi 16v (75PS)	900	729	820	411	1690	1140	550	1200 (500)	2745
1.3CDTi 16v (75PS) (a/c)	920	750	820	410	1710	1160	550	1200 (500)	2745
1.3CDTi 16v (95PS)	955	783	820	407	1740	1190	550	1200 (500)	2980
1.3CDTi 16v (95PS) ecoFLEX	900	729	800	411	1690	1140	550	1200 (500)	2980
1.3CDTi 16v (95PS) ecoFLEX (a/c)	920	750	800	410	1710	1160	550	1200 (500)	2980

a/c = Air conditioning. **Note: Kerbweights** for standard vehicles include coolant, oil, 90% full fuel tank and spare wheel. They will vary according to the vehicle specification (including options and accessories) with a corresponding variation in payload. **Payload figures** do not allow for the weight of the driver, or any passengers, which should therefore be deducted from the figures shown and are subject to correct weight distribution. **Gross plated weights** (including axle weights) quoted on the vehicle plate must never be exceeded. **Roof load** should not exceed 100kg including the weight of the roof rack/carrier.

Fuel economy and emissions

Model	Fuel economy mpg (litres/100km)#			CO ₂ emissions (g/km)#
	Urban driving	Extra-urban driving	Combined figure	
1.2i 16v	39.2 (7.2)	62.8 (4.5)	51.4 (5.5)	129
1.2i 16v S/S	45.5 (6.2)	65.7 (4.3)	56.5 (5.0)	117
1.3CDTi 16v (75PS)	53.3 (5.3)	78.5 (3.6)	67.3 (4.2)	112
1.3CDTi 16v (75PS) S/S	64.2 (4.4)	83.1 (3.4)	74.3 (3.8)	100
1.3CDTi 16v (95PS) ecoFLEX S/S	74.3 (3.8)	91.1 (3.1)	85.6 (3.3)	88
1.3CDTi 16v (95PS)	52.3 (5.4)	74.3 (3.8)	64.2 (4.4)	115

S/S = Start/Stop.

= Official Government Test Environmental Data. Official EU-regulated test data is provided for comparison purposes and actual performance will depend on driving style, road conditions and other non-technical factors.

Tyre rating

Tyre size	Fuel efficiency group	Wet grip performance	External noise	
			Measured (dB)	Group
175/70 R 14	B	B	74	
185/70 R 14	E	B-C	70-74	
185/65 R 15	B-E	B-E	67-70	

Tyre rating according to EU Regulation 1222/2009

Colour availability

Solid



Glacier White



Flame Red



Cargo Yellow* (special order only)

Two-coat metallic**



Sovereign Silver



Silver Lake



Crinan Blue*

Two-coat pearlescent**



Carbon Flash



Waterworld*



Asteroid Grey

* = Not available on Sportive. ** = Two-coat metallic and pearlescent colours are available at no extra cost on Sportive models (where available) and at extra cost on base models.

Due to the limitations of the printing process the colours reproduced may vary from the actual colour. As a result they should be used as a guide only. All Vauxhall Commercial Vehicle retailers have a comprehensive showroom colour display, with actual exterior paint samples available for inspection. Special paint options are available on base models. Restrictions apply, please consult your Vauxhall Commercial Vehicle retailer for availability.

Suspension

Front: Independent. MacPherson struts with gas-pressure damper cartridge and coil springs. Anti-roll bar.

Rear:

- Compound crank with progressive-rate mini-block coil springs and gas-pressure dampers
- Lowered suspension on ecoFLEX models

Steering

- Rack and pinion
- Electric power-assisted steering standard – variable rate on 1.3CDTi 16v (75PS) diesel models
- Maximum turning circle (kerb-to-kerb): – 10.10m (33.1ft.)

Electrics

Alternator:

70A (100A with air conditioning).

Maintenance-free battery:

1.2i 16v – 40Ah (50Ah with air conditioning).

1.3CDTi 16v – 65Ah.

Brakes

- Dual circuit, diagonally split, dual rate servo-assisted system
- Low brake fluid level warning light

1.2i 16v

Front ventilated discs: 257mm diameter.

Rear drums: 203mm diameter.

1.3CDTi 16v

Front ventilated discs: 284mm diameter.

Rear drums: 228mm diameter.

Fuel tank capacities

- 45 litres (9.9 gallons)
- 40 litres (8.8 gallons) – ecoFLEX models

Body

- Aerodynamic drag co-efficient: Cd 0.33
- Extensive anti-corrosion protection

Vauxhall Assistance and warranties†

- All new Corsavans qualify for a three-year vehicle warranty consisting of a one-year/unlimited mileage manufacturer's warranty and a second and third year manufacturer's warranty with a 60,000 miles limitation
- Vauxhall Assistance for 12 months from first registration
- Six years' body panel anti-perforation warranty

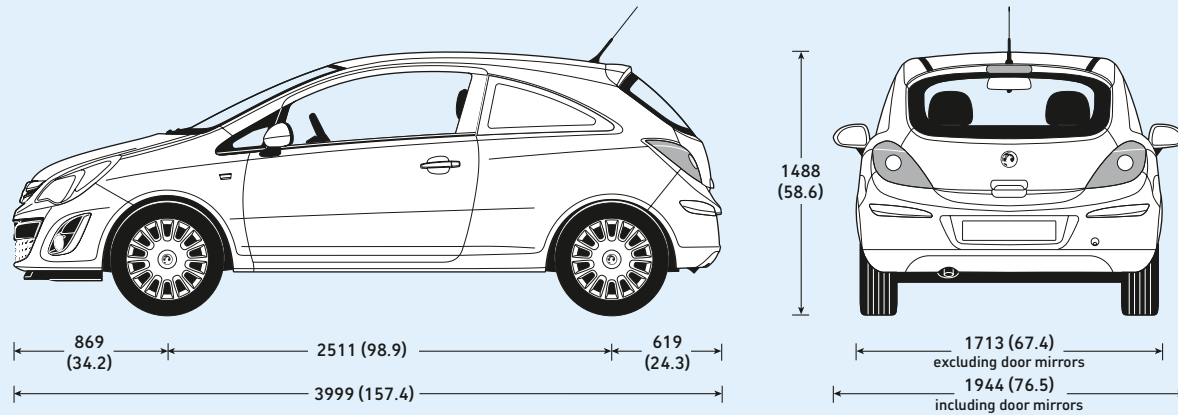
† = Warranty is only available on vehicles sourced from General Motors UK Limited. Terms and conditions apply – please see your Vauxhall retailer for details.

Insurance group

All models – Group 1E.

As recommended by the Association of British Insurers.

Dimensions millimetres (inches)



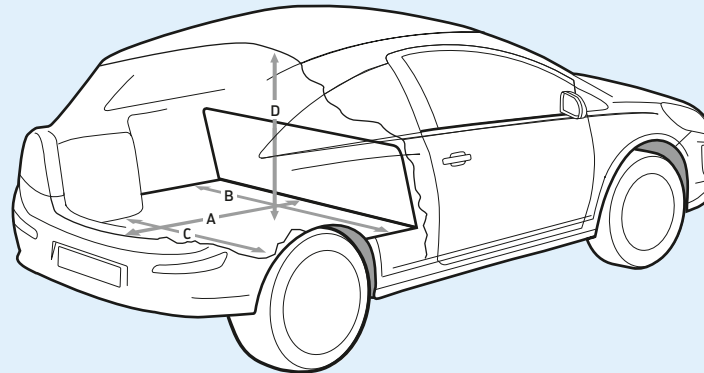
Height shown unladen.

Loadspace dimensions

Maximum load length	mm (inches)
Standard vehicle (A)	1257 (49.5)
Maximum load width	
- At widest point (B)	1264 (49.8)
- Between wheel arches (C)	969 (38.1)
Maximum load height	
Standard vehicle (D)	924 (36.4)
Rear tailgate	
- Maximum aperture height	650 (25.6)
- Maximum aperture width	980 (38.6)
- Load sill height (unladen)	691 (27.2)

Loadspace volume

VDA method	cu.m (cu.ft)
All models	0.92 (32.5)



Trust Vauxhall

Protecting the environment

Vauxhall's commitment to the environment is demonstrated by our products' many environmental awards, won both through the use of more recycled materials and by becoming cleaner and more efficient. For information on Vauxhall's efforts to achieve an environmentally sustainable future, see www.vauxhall.co.uk/recycling

Fleet Customer Services

Our dedicated support services for fleet decision makers include factory demonstrators and information on whole life costs, company car and van taxation and finance. For further information please call **0870 010 0651**.

Vauxhall Extended Warranty

For complete peace of mind Vauxhall offers an extended warranty that can be purchased on an annual basis following the expiry of the original new vehicle warranty. It covers most mechanical and electrical components. Terms and conditions apply. For further details please contact your local Vauxhall Commercial Vehicle retailer.



When you have finished with this brochure please recycle it

Business Lease

Business Lease, from GMAC, offers the versatility of a purchase-based finance plan, while making the most efficient use of tax and cash-flow benefits for VAT-registered business users. It's available for all Vauxhall Commercial Vehicles up to 12 months old and offers highly flexible term lengths, variable deposits and a choice of payment profiles. Ask your retailer for full details.

Business First

Available to business users only, Business First enables you to drive a new vehicle without a large, initial financial outlay. You pay to use the vehicle, not to own it. The vehicle is provided over a predetermined period, and when that period comes to an end the vehicle is returned. Ask your retailer for full details.

Servicing and maintenance

The best way to maximise the performance and reliability of your Vauxhall is to have all routine servicing and maintenance carried out at a Vauxhall Commercial Vehicle retailer. Nationwide there are over 250 light commercial vehicle retailers and a further 195 heavy commercial vehicle retailers.

In the event of an accident...

Vauxhall Accident Support helps keep you mobile following an accident. Benefits include scene-of-accident advice, message service, assistance with claims and vehicle recovery. For further details call **0800 010 304**.

Premier Service Centres

Our Premier Service Centres feature a guaranteed same day repair service (provided the parts are in stock) and an appointment-free service for diagnosis and repairs taking less than 90 minutes. All repairs are carried out within 24 hours of the diagnosis.

For more information...

For a brochure on any Vauxhall model (up to a maximum of three per caller) or location of your nearest retailer, call **0845 600 1500**.

Alternatively, details can be found on our website at: www.vauxhall.co.uk/vans

Proud Sponsor of Home Nations Football



Every effort has been made to ensure that the contents of this publication were accurate and up-to-date at the time of going to press (January 2014). Vauxhall vehicles are equipped with components manufactured by various General Motors operating units and outside suppliers. The Company reserves the right to alter specifications and withdraw products from sale without notice. Any such alterations will be notified to Vauxhall retailers at the earliest opportunity; please consult your local retailer for the latest information. The specifications detailed within this brochure are not necessarily applicable to alternative models such as Special Editions. Details of any such models will be contained in specific literature or found on the Vauxhall website. Please note that Vauxhall retailers are not the agents of General Motors UK Limited and are not authorised to bind the Company by any specific or implied undertaking or representation. It is advisable to ensure that your motor insurance policy provides adequate cover for additional fitted options and accessories. Please note accessories shown are for illustrative purposes only. As part of Vauxhall's policy of environmental care, this brochure is printed on paper manufactured using Elemental Chlorine Free pulps from specially farmed, sustainable timber resources. All rights reserved. No part of this publication may be reproduced in any form or by any means, without the prior written permission of General Motors UK Limited.

VM1310607

©2014 General Motors UK Limited

Published January 2014

General Motors UK Limited, Luton LU1 3YT

COMMERCIAL VEHICLES
The Wheels of Business



VAUXHALL