

RUSHMOOR GARAGE LTD.

TILFORD

FARNHAM

SURREY

TEL. FRENHAM 2176

VOLVO 2444



**The Volvo 244
makes a lot of sense.**



It's comfortable: superb bump absorbing suspension, efficient 12 outlet heating and ventilation system, fully adjustable elegant seating, 3 layer engine noise insulation, well designed functional instrumentation, deep-pile carpeting.

These features and many more make the Volvo 244 one of the most comfortable cars available. And don't forget, being comfortable makes driving easier.

It's spacious: enough room for five adults to travel in comfort, the seats have an exceptional range of adjustment. 21.5' cubic feet of luggage space, wide opening doors for easy access, inertia reel seat belts for freedom of movement.

All this space gives you room to move, which will leave you relaxed and fresh, even after the longest journey.

It's durable: specially vented door sills eliminate moisture traps, polyester and bitumen undersealing together with hot-dip galvanising protects vulnerable body sections against rust, a total of 33 lbs. of paint, mud flaps on all wheels, hard wearing fire resistant upholstery.

Not the cheapest, but the best .. , that's Volvo policy.

It's reliable: Proven 2.1 litre aluminium alloy head four-cylinder cross flow engine with overhead camshaft, rack and pinion steering, disc brakes all round, powerful starter motor.

These features combined with the intensive quality control and testing at all stages of production ensure that each and every Volvo 244 is manufactured to the highest standard.

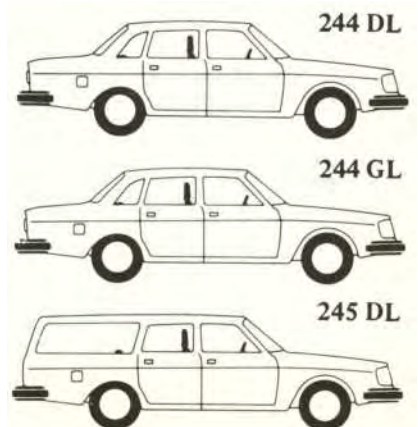
Remember, research has shown that a Volvo lasts for 16.2 years on average. Source: Swedish Motor Vehicle Inspection Company.

It's safe: triangle-split braking system, five stage collapsible steering column, padded facia panel, impact absorbing front and rear sections with solid passenger compartment, side impact protection, shatterproof laminated windscreen, strong seat anchorage, inertia front seat belts, day notice lights, halogen headlights and a heated rear screen.

Volvo cars are among the safest production cars in the world.

Today's motoring needs require a balanced combination of comfort and space, with durability, reliability and safety.

We believe that the Volvo 244 meets those needs better than any other car in its class. In fact, we're sufficiently confident that we offer a 12 months unlimited mileage guarantee covering parts and labour.



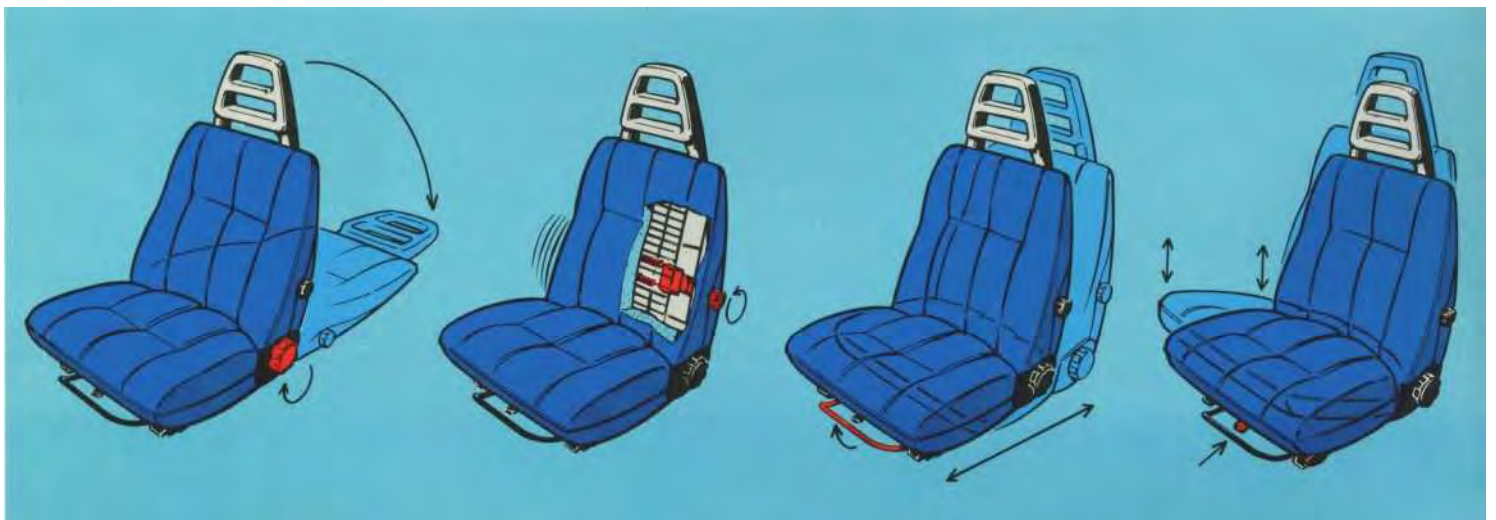
Comfort.

The front seats of the Volvo 240 Series are considered by many to be the best and safest available. They are securely anchored to the floor, have a full range of adjustments and incorporate head restraints. The framework is immensely strong and the padding is firm. They were designed in collaboration with medical experts who were determined to give the Volvo driver the best possible driving position at all times to eliminate fatigue and to maintain driver concentration.



Driving in style is easy in a Volvo of the 240 Series. You adjust the seat to suit yourself. The backrest is fully reclining, for small-of-the-back comfort you have Volvo's unique and fully adjustable lumbar support, fore and aft movement is controlled by a rod under the leading edge of the seat and seat height is adjustable by means of two levers.

One thing all Volvo 240 Series cars have in common is spacious comfort. All the fittings including the upholstery, mats and dashboard are made of fire-resistant materials. The handbrake is at hand in a console between the front seats together with the illuminated safety belt locking points.





In the Volvo 244 GL, the driving seat incorporates a heating system. If the temperature in the car is below 14°C , the seat is heated up electrically as soon as the ignition is switched on. The seat warms up to 25°C .





Controls.

The hustle and bustle of traffic calls for making quick decisions. Behind the wheel of a Volvo you'll find a system of controls designed for your comfort and safety.

A unique system of reminder and warning lamps includes the bulb integrity sensor which lights up should a dipped headlight, tail light or brake light fail.

Then there's the "fasten seat belts" warning lamp which persistently and persuasively reminds you and your front seat passenger if the belt is not properly connected.

Other warning lamps monitor a possible brake circuit failure, handbrake application, charging, oil pressure, turn indicators, main beam, hazard warning lights and the electrically heated rear window. This is so you can maintain your driving efficiency with expert ease. Which an expert driver will appreciate.

Within convenient reach on the centre console are the heating and ventilation controls. Also the cigarette lighter and ashtray. And there's plenty of room for a radio if you choose to fit one as well as for extra switches if you want auxiliary lights, electric window winders or suspension levellers. You can read more about these on page 23.

The very efficient heating and ventilation system feeds fresh air or heated air through 12 strategically placed entry points. Adjusting air flow or aim is a matter of fingertip control. You can even have a mixture of fresh air and heated air through the fully adjustable dashboard outlets or a cool head and warm feet at the same time. The side windows are kept clear by fixed-aim nozzles, one each end of the dashboard. The rear seat passengers are well catered for too. Outlets under the front seats care for their needs of heated or cool air. The heating system is thermostatically controlled and features a three-speed fan. As an optional extra you can order your Volvo 244 with a heating system prepared for air conditioning. DL models can also be specified with tinted glazing, which is standard on the GL version, a sunshine roof and power steering.







Spaciousness.

A driver's car is all very well, but there's more to motoring than the sole pleasure of driving. If you can't sit in good driving comfort without your passenger hunched up, if three people can't find plenty of room in the back and if all your luggage can't be accommodated in the boot - then it's time you bought a Volvo 244.

Even if the family doesn't accompany you on every trip, it's nice to know that when they do you can all travel at ease. So take the family with you when you test drive the new Volvo 244!

The Volvo 244 features three-point inertia reel safety belts for the front seats. The beauty of inertia reel belts is that they fit anyone - automatically, and they do not restrict normal movement.



The (lead restraints are an important safety feature. Of the see-through type, they do not spoil the view for those in the back.

The back seat of the 244 has room enough for three. With plenty of space for arms and legs. Folding down the centre armrest gives regal comfort for two.



The shape of the Volvo does more than just enhance its appearance. The vast boot holds 21.5 cu. ft. of usable space and it's so deep your cases and the spare wheel can stand upright.



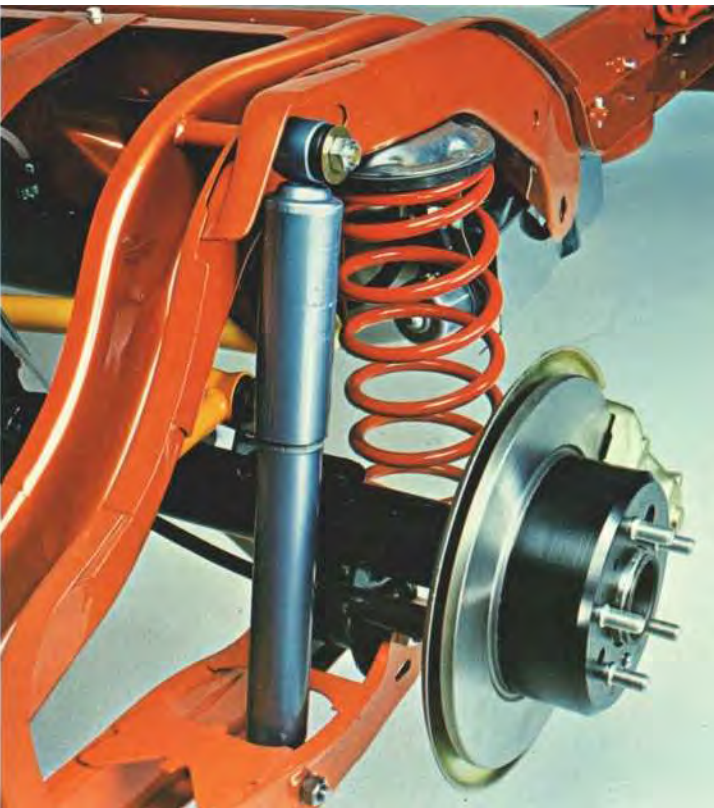
Handling and Ride.

Most of the subtle refinement and the edge a Volvo 244 has over other cars is not really appreciated until you're behind the wheel. It is then you quickly discover just how well this Volvo rides and handles. Even the roads seem better in a car like this. Why? The explanation is to be found in the 240 Series spring strut front suspension and the carefully designed rear axle. Steering is by rack and pinion for the ideal combination of feel, response and lightness. The live rear axle has separate functions for springing, damping and control of movement - each provided by a separate unit.

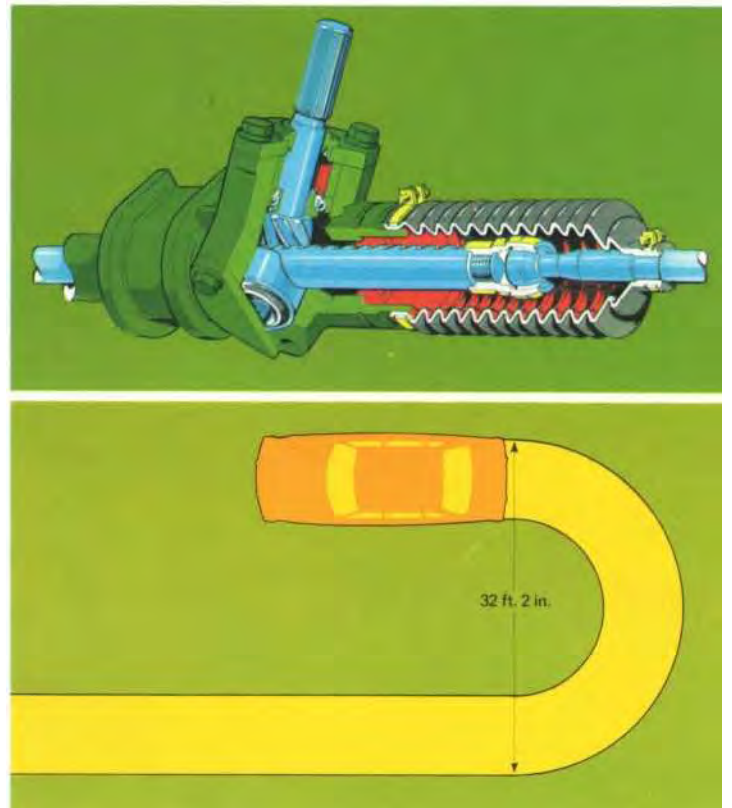
The resilience of the front suspension plus the use of stabilisers front and rear lets you hustle the Volvo down winding lanes or through roundabouts with a minimum of roll.

The wide radial ply tyres are steel braced to improve fuel consumption, tyre mileage and grip.

Try the Volvo out on a good test run. Experience the improvements in the Volvo's ability to cope with all road surfaces and situations.



At the top our spring strut front suspension, resilient yet unwavering. Stabilisers front and rear and the live rear axle, shown below, give the Volvo 244 impeccable road manners. Try the Volvo and find out how it feels to have a car which is always on your side.



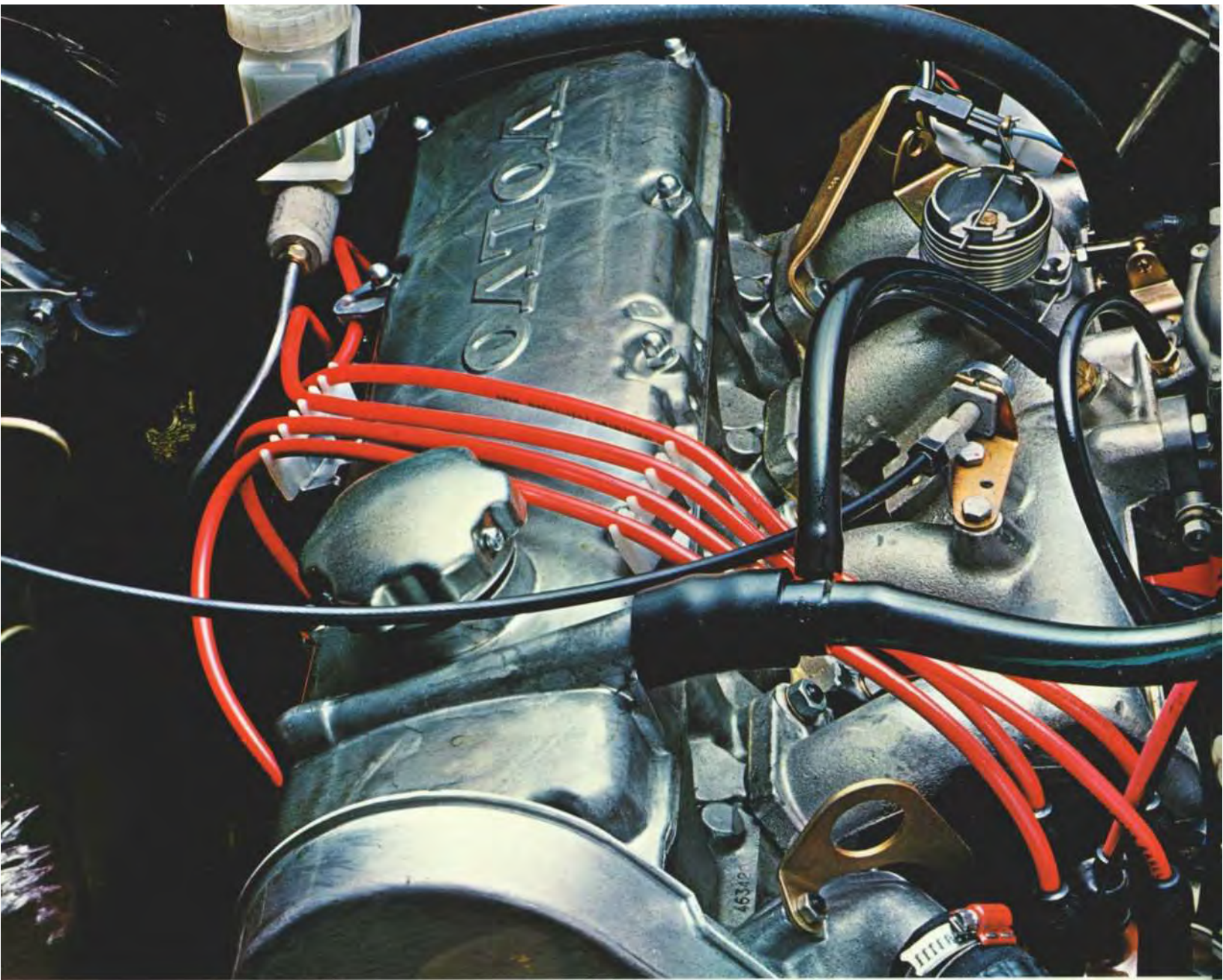
Rack and pinion steering gives quick response to steering wheel movement. Despite the spaciousness in a Volvo, it's still a car that can be termed almost nippy in the city. The turning circle is a tight 32'2" - many smaller cars can't manage that.

Design.

The way we see it, safety and reliability get more and more important every year. We designed the Volvo 244 accordingly. Take the front of the car, for example, automatic day notice lights make sure your car is observed for safety's sake. The prominence of the bumper is not a styling gimmick, it is there to minimize parking damage and to protect the occupants of the car in a head-on collision. And the halogen headlights are not big to harmonise with the frontal design, but rather to give a better spread and reach of light. The same applies to each part of the engineering of this car, because at Volvo form certainly follows function. If you agree that what is functional is also beautiful then our designers will be satisfied.



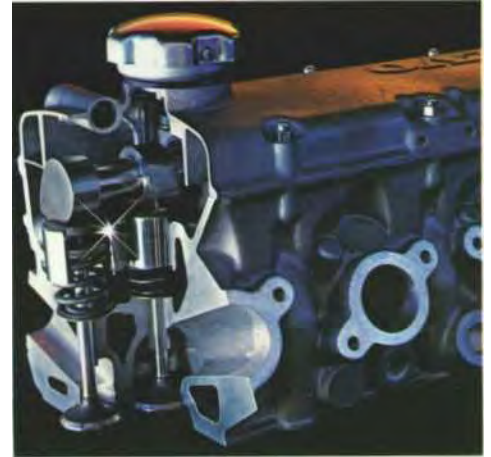




The type of gearbox you choose is also a matter of motoring style. The sporty driver will probably prefer the four-speed manual with its stubby gear shift for quick changes and delightfully smooth action.



On the other hand, if your driving involves a lot of heavy traffic you may prefer our automatic transmission.

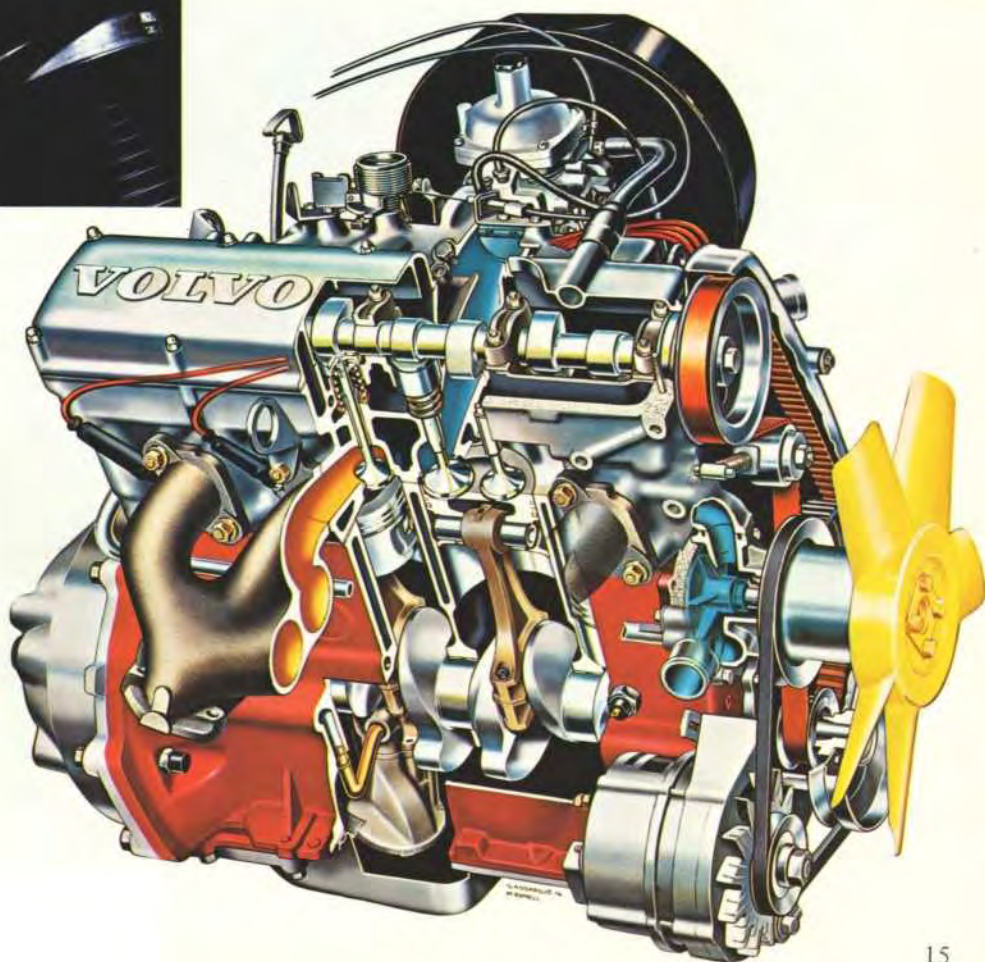


This is the aluminium alloy cross-flow cylinder head of the Volvo 2.1 litre engine. The benefits it gives include better efficiency and no-fuss starting.



Reliability.

Whichever Volvo engine you choose they have one major factor in common - reliability. There are two engine versions: a 100 h. p. DIN carburettor engine in the 244 DL and a 123 h.p. DIN fuel injection in the 244 GL. They are both 2.1 litre, in-line power units with an overhead camshaft and an aluminium alloy crossflow cylinder head. Nothing extreme, just modern and reliable. The fuel injection version features a contactless transistorised ignition system. Of considerable importance these days, both run smoothly on two star, 93 octane petrol.



This is the Volvo's carburettor version of the four-cylinder, 2.1 litre engine. The overhead camshaft means quieter running and a more precise valve system with fewer moving parts to give less adjustment, high output and quick response. All to ensure reliability, few visits to the workshop and a long and trouble-free service life.



Soft front and rear with a resistant centre is one way of describing the Volvo safety body. You and your passengers sit within a cage of protective steel profiles. Behind you and in front are the energy absorbing crumple zones of the car. And to protect your flanks, the doors have built-in side impact members.

Protective framework around all body apertures.

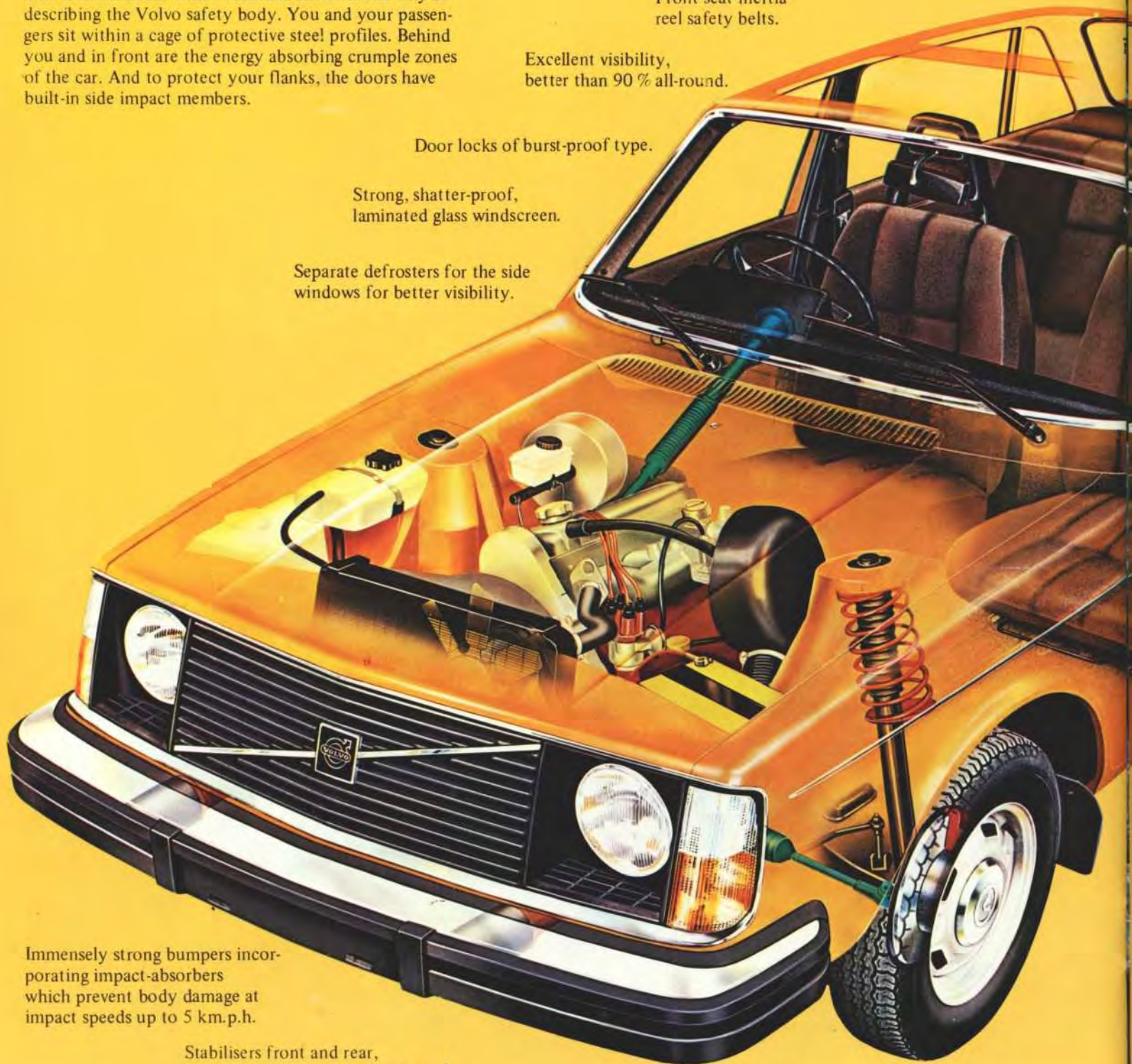
Front seat inertia reel safety belts.

Excellent visibility, better than 90 % all-round.

Door locks of burst-proof type.

Strong, shatter-proof, laminated glass windscreen.

Separate defrosters for the side windows for better visibility.



Immensely strong bumpers incorporating impact-absorbers which prevent body damage at impact speeds up to 5 km.p.h.

Stabilisers front and rear, a wide track and the well-balanced suspension counteract roll.

The rack and pinion steering which makes it easy to manoeuvre.

The steering column collapses in a head-on crash.

Wide, steel-braced radial ply tyres for better grip and mileage.

Safety.

While you may not always be consciously thinking about it while sitting securely inside the steel cage of your Volvo 244, it is a comforting thought that Volvo is so safety minded. The Volvo 244 is designed and built with a solid safety background. With safety features which help you to avoid accidents, such as the reliable brake system, the power to get out of trouble, the precise steering, the excellent visibility both day and night. Halogen headlights, automatic day notice lights and an electrically heated rear screen are standard features. Safety features which help prevent injury include the immensely strong steel body with its energy absorbing front and rear, the protective cage around the passenger box, the progressively collapsible steering wheel and column and the crash-padded dashboard.

Volvo's unique safety research has shown that today's Volvo 244 gives a level of safety comparable with the experimental vehicles built according to the tough American requirements. One condition - you must use your safety belts. Sit in our steel cage and think about it.

The fuel tank is mounted immediately behind the rear axle for added protection in case of a rear end collision.

Rear doors have child-proof locks.

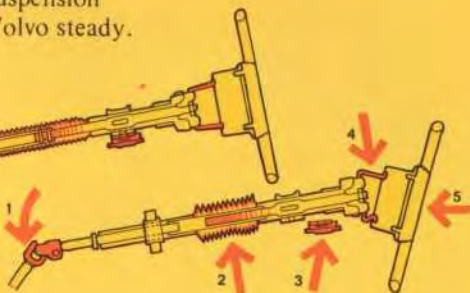
The rear wheel suspension which gives it directional stability.

Anti-intrusion bars in each door to protect against side impact.

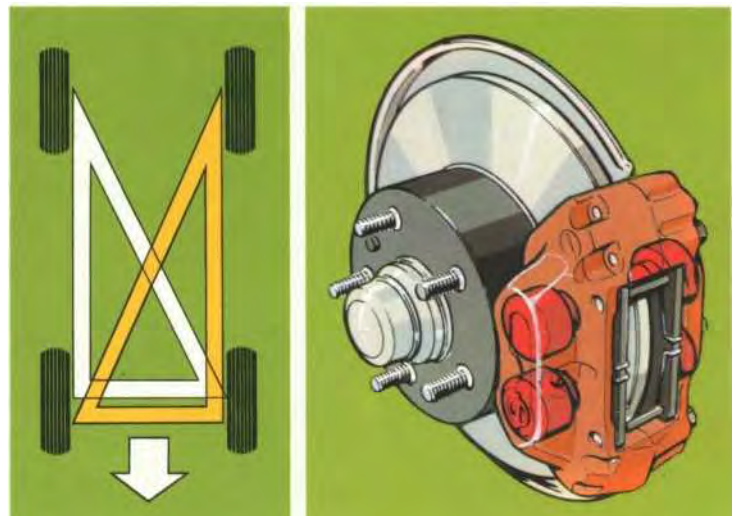
Double anchorage points to the seat rails.

The door sills are ventilated to dry out moisture and to avoid rusting from the inside.

The front wheel suspension which keeps the Volvo steady.



Five separate safety features are incorporated in the steering column and wheel. From left to right: (1) The lower steering rod folds downwards; (2) The upper part telescopes inwards; (3) The column crumples forwards and downwards; (4) The steering wheel anchorage crumples up, and (5) the padded centre of the wheel spreads the impact.

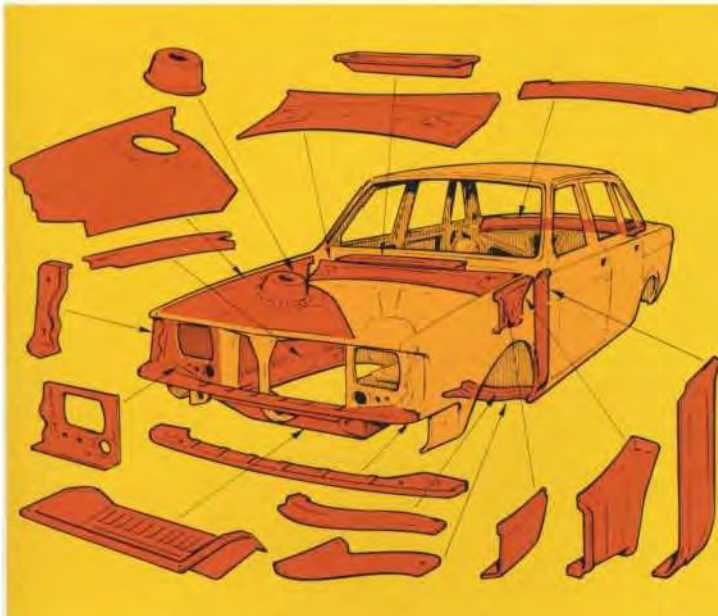


The Volvo 244 has disc brakes all round. Served by a triangle-split, dual circuit system which is far superior to that used by most other motor vehicle manufacturers. With one circuit completely out of operation, the other will still give braking on both front wheels and one of the rear wheels - totalling about 80 % of full braking efficiency with only a slight increase in pedal travel and pressure. This arrangement lessens the risk of skidding. Special relief valves make sure that the rear wheels do not lock up prematurely during emergency braking. The brake lines, throughout the system, are made of a special copper alloy to withstand rust and corrosion.

Durability.

Common to the cars of the 240 Series are generous accommodation, the wonderful manoeuvrability and a full 12-month unlimited mileage labour and parts guarantee. Other standard features of these fine cars are the "5 km.p.h. bumpers", the side impact members in the doors, the system of reminder and warning lamps, the halogen headlights with day notice lights, the laminated windscreen and the very thorough rustproofing which is a major factor in the long service life of a Volvo. According to statistics from the non-partisan Swedish Motor Vehicle Inspection Company, the probable life expectancy of a Volvo is 16.2 years. The equivalent figures for other cars are much lower. This we think is an excellent measurement of just how well designed and built a Volvo is.





Volvo rustproofing is there from the very start. The door sills for example are cavity vented by the slipstream to dry out moisture and help prevent rusting. A well established Volvo feature is that many of the body parts are made of galvanized sheet-metal. This is where Volvo rustproofing really starts. Certain parts are treated with a special rustproofing fluid which dries to form a protective skin with tenacious adhesion. Panels particularly susceptible to rust, like those in which the spring struts of the front suspension are mounted, are very robustly designed and much more efficiently rustproofed than those of other makes of car using a similar type of suspension. The brightwork is made of stainless steel to stay bright and the bumpers which are made of a special aluminium alloy have an attractive brushed finish. The most exposed parts of the exhaust system are aluminised. The lower parts of the door sills are sprayed with polyester while other parts of the body which are exposed to road dirt and flying gravel are covered with a bitumen coating.

The art of building a car which gives as long a service as a Volvo is to make sure that parts such as these are capable of lasting just as well as the rest of the car.



244 GL





Volvo's performance car - the 244 GL.

Maybe you belong to the group of motorists who spend more time than average on the road? Or is your car a necessary aid in your work? Or maybe you just like motoring enough to want that little bit extra?

If so, then you should take an extra look at the Volvo 244 GL which adds exhilarating performance to the many other established Volvo virtues.

The 2.1 litre, four-cylinder engine has an overhead camshaft and fuel injection system of (I-type which Ricans continuous injection, greater reliability and easier servicing. It also features a contactless ignition system and runs sweetly on two star, 93 octane petrol. It is economic yet powerful; 123 h.p. DIN.

Other features of the Volvo 244 GL include the leather-faced seats, tinted glazing all round, a sliding steel sun-roof and a metallic finish. Power steering is available as an extra.



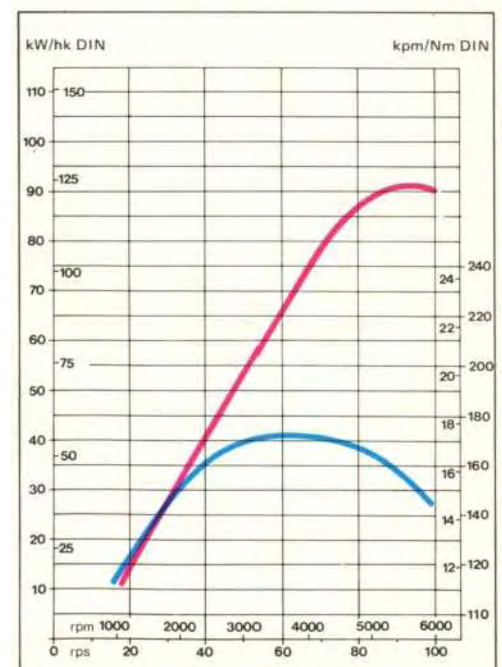
The integral foam clad steering wheel is designed to ensure that the instruments can be read at a glance. In the GL-model you get a tachometer as standard to give the professional touch to your driving.



Not only do you get a tachometer, there are two gearboxes to choose from, as standard there is a fully synchronised four-speed manual with overdrive for extra fuel economy, as an optional you can also have the Volvo 244 GL with an automatic transmission.



The solid-state contactless ignition system means fewer adjustments, better performance and increased reliability. As the blue curve of the graph shows, this engine gives high torque throughout the speed range. The red curve shows output at various speeds.



Here are all the facts - Volvo 244:

Technical information	244 DL	244 GL
Engines		
Designation	B21A	B21E
No. of cylinders	4	4
Displacement cm ³	2,127	2,127
Bore x stroke mm	92.0 x 80.0	92.0 x 80.0
Max. output h.p. at r/m DIN	100/5250	123/5500
Max. output kW at r/s DIN	74/88	90/92
Max. torque kpm at r/m DIN	17.3/3000	17.3/3500
Max. torque Nm at r/s DIN	170/50	170/58
Compression ratio	8.5:1	9.3:1
Carburation	Single carburettor	Fuel injection (CI-system)
Octane rating	93	93
Cylinder head	Aluminium alloy, cross-flow type	Aluminium alloy, cross-flow type
Valve system	Overhead camshaft, direct acting	Overhead camshaft, direct acting
Camshaft drive	Toothed belt	Toothed belt
Cooling system		
Sealed and frost-proof. Capacity	2.09 Imp galls/9.5 litres	2.09 Imp galls/9.5 litres
Electrical system		
Battery	12 V/60 Ah	12 V/60 Ah
Alternator	35 A	55 A
Fuel tank		
Safety mounted behind rear axle. Capacity	13.2 Imp galls/60 litres	13.2 Imp galls/60 litres
Wheels		
Steel braced radial ply tyres	175 SR 14	185/70 SR 14 low profile type
Rims	5 J-14"	5.5 J-14"
Steering system		
Rack and pinion, collapsible steering column of safety type.		
Steering ratio	21.3:1	21.3:1
No. of turns, lock to lock	4.3	4.3
Other standard equipment ¹⁾		
Instrumentation	Clock	Clock, tachometer.
Glass, mirrors	-	Tinted windows. Make-up mirror
Upholstery	Cloth	Leather. Electrically heated driving seat
Floor mats	Wall-to-wall carpet. Short pile	Wall-to-wall carpet. Deep pile
Heating and ventilation system	Std. ²⁾ CU ³⁾ optional	Std. ²⁾ CU ³⁾ optional
Lighting	-	Engine compartment and boot lighting
Steering wheel diameter	15.7"/400 mm	15.7"/400 mm, integral foam padded
1) The standard equipment listed here is additional to those items specified in the following.		2) Standard heater with air mix.
		3) Combined Unit - can be specified with air conditioning.

Transmission

Diaphragm spring clutch. Fully synchronised four-speed gearbox. Volvo 244 also available with automatic transmission. Selected models available with overdrive acting on 4th gear.

Suspension

Front: Spring strut type with stabiliser. Rear: Live, carried in rubber-mounted control arms and torque rods. Transverse location by track rod. Coil springs and telescopic shock absorbers with stabiliser.

Braking system

Power-assisted, all-disc, dual circuit, triangle-split system. Each circuit operates simultaneously on both front wheels and one of each of the rear wheels. Copper alloy brake pipes. Power-assisted. Relief valves prevent premature rear wheel lock-up in emergency situations. Master cylinder of stepped-bore type. Handbrake operates on rear wheels through special drums.

Instrumentation

Housed in padded safety dashboard. Rheostat-controlled instrument lighting, selected controls have concealed lighting. Six-figure mileometer with tripmeter. Fuel gauge. Coolant temperature gauge. Warning lamps for: charging oil, oil pressure, turn indicators, main beam, handbrake application, brake circuit failure, and bulb integrity sensor. Audible and visible turn indicator signal. Illuminated glove-

box. Combined steering and ignition lock. Centre console: switches for electrically heated rear window and four-way hazard warning lamps. Also: heating and ventilation controls, "fasten seat belts" reminder, cigarette lighter and ashtray. Radio compartment.

Other standard equipment

Combined stalk for turn indicators, main and dipped beam with headlight flasher. Combined stalk for two-speed windscreen wipers and electric windscreen washers. Halogen headlights. Automatic day notice lights. Automatic reversing lights. Head restraints and inertia reel safety belts on front seats. Rear seat has two inertia reel belts and one lap belt. High impact laminated glass windscreen. Day/night rearview mirror of safety type. Rooflining of compression moulded glass-fibre. Tow-hooks front and rear. Selected versions available with sunroof. Turning circle diameter, between kerbs 32 ft 2 in/9.8 m.

Interior dimensions

See dimensional drawing of 244 DL. ³ Boot capacity ... 31.5 cu ft/615 dm³ With SAE luggage 13.9 cu ft/395 dm³

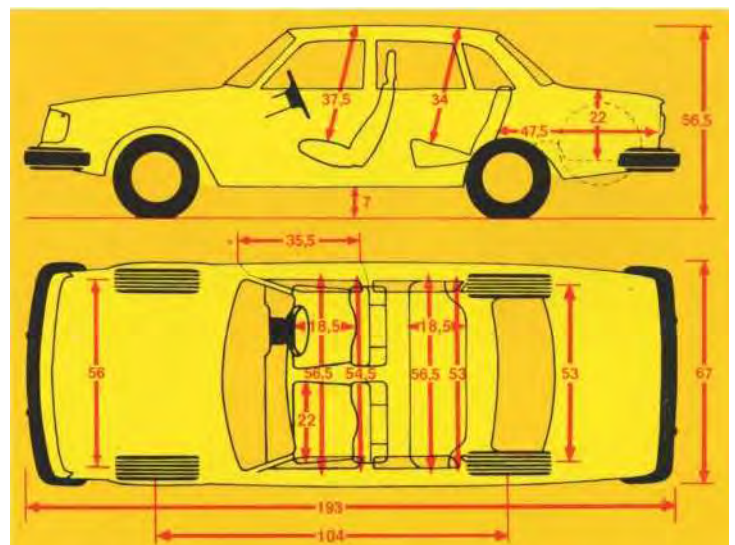
Weights

Kerbweight, approx. 2830-2975 lb/1285-1350 kg

Warranty

12-month warranty irrespective of mileage, including parts and labour.

The factory reserves the right to make changes at any time, without notice, to prices, colours, materials, equipment, specifications and models and also to discontinue models.





Volvo optional extras for those who want something extra special.

1. Seat covers: Exclusively designed and in attractive colours. Excellent fit. Protect your upholstery. 100% nylon. Flame resistant. Machine washable.

2. Rubber floor mats: Protect your deep pile carpets. Easily removed and cleaned.

3. Gear lever knob: Leather-clad, pleasing to use and attractive.

4. Suspension levellers: These level the rear suspension when the car is heavily loaded or is towing a trailer or caravan.

5 and 7. Electrically operated windows: Exclusive and convenient, these window winders stop immediately should anything get in the way.

6. Volvo air conditioning: Travel in the exact temperature of your choice, irrespective of the weather. Cool in the heat of summer. Warm and dry when it's wet and miserable. Volvo air conditioning cools, demisters and cleans the air. Factory option only.

8. Intermittent action windscreen wiper switch: The windscreen wipers start and stop at the intervals you require.

In-car Entertainment

9. Volvo Radio: Your new Volvo is prepared for a Volvo Radio, so fitting one involves no problems. There are two basic models and each one has a 24-month warranty.

Volvo Radio/Stereo tape-player: Similarly, there are no problems fitting a Volvo Radio/Stereo tape-player. You can choose your radio with either four track Stereo cassette or eight track Stereo cartridge. All with a 24-month warranty.

10. GT steering wheel: Sporty, easy to grip and elegant.

11. GT instrument cluster: Replaces standard panel and includes, in addition, tachometer, voltmeter and an oil pressure gauge.



Tow bar: The tow bar can be removed when not in use, avoiding the possibility of accidentally damaging other vehicles.



Grille kit: Auxiliary spot and fog lamps set into the radiator grille. Available with white or yellow lamps.

Genuine Volvo accessories are specially selected and tested for your Volvo. You will find more than a hundred other items to choose from in the Volvo Accessories Brochure.



VOLVO

AB Volvo, Car Division • Göteborg, Sweden