

VOLVO 240 Saloons





The 1984 Volvo 240 Saloons

The minute you step inside a 1984 Volvo 240 Saloon you'll realise you have entered a unique environment. You will appreciate the practical benefits associated over the years with Volvos -lots of room for people and an exceptionally high standard of luxury-plus Volvo's world famous virtues-comfort, quality, safety and value for money. Today these incomparable 240 Saloon cars are more refined than ever, as a result of

continuing research and development and a commitment to providing Volvo Owners with the highest standard of specifications.

A presentation of the 1984 range of 240 Saloon cars can be found in this brochure, but this is no substitute for a personal inspection of the new 1984 Volvos at your local Volvo dealership.

Your Volvo Dealer

Your local Volvo Dealer is ideally equipped not only to answer any queries you may have about the 1984 range, but also to look after every other requirement a Volvo owner has in connection with his car. This includes Aftersales Departments staffed by people who are highly trained in the skills of servicing, repairing and generally helping to maintain or restore Volvos to their original high



Setting New Standards

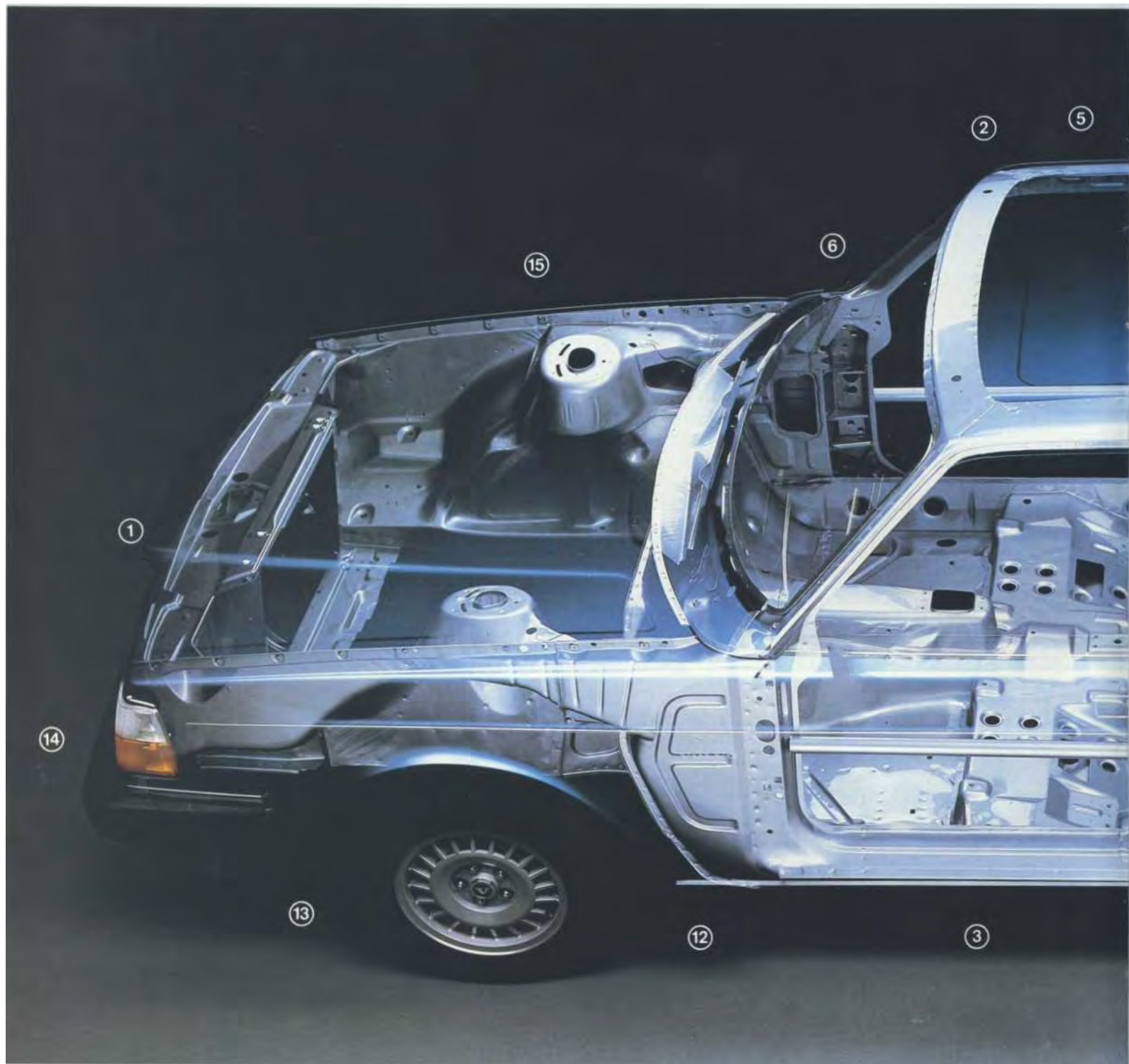
quality levels. An example of your Dealer's commitment to looking after his customers is that he is now able to offer a special Volvo Owner's Insurance scheme, exclusive to U.K. Volvo Owners, which has been specifically designed to reduce the normal costs of car ownership.

You can find your local Volvo Dealer in Yellow Pages, or phone Volvo Customer Information on (0494) 33444.

When you visit your Volvo dealership

you'll notice the wide choice of models. The range starts with the 240 DL powered by a 2.1 litre carburettor engine, with 5-speed manual gearbox. An automatic version is also available. The 240 GL is powered by the same rugged 2.1 litre engine but in addition to an enhanced interior trim, has electric door mirrors, metallic paint and tinted glass as standard. The next variant is the 240 GLE which has Volvo's 2.3 litre carburettor engine

with a 4-speed plus overdrive manual gearbox or alternatively, Volvo's new 4-speed automatic transmission, and an even more luxurious specification. Top of the 240 range, for sports car performance coupled with high levels of comfort and luxury is the GLT, powered by a 131 hp 2.3 litre fuel-injected engine coupled with the same choice of transmissions as the 240 GLE.



The standards by which safety

Many of the safety features which we take for granted in today's cars were pioneered by Volvo in the 1950's. For example 3-point safety belts and laminated windscreens. But for Volvo, safety goes much deeper than this; it is designed in from the start as part of a total philosophy which also encompasses quality, reliability and durability. Ample proof of the success of this approach comes from the Swedish Motor Vehicle Inspection Authority

whose findings show that the average life expectancy of a Volvo is 19.3 years, some 2.5 years longer than its closest rival.

The quality built into a Volvo means that it should hold its value better than most—a reassuring thought when you come to change it for the latest Volvo model—as many Volvo owners regularly do. However, even a Volvo has to be maintained and serviced periodically to perpetuate the

reliability and durability you purchased it for. Your local Volvo Dealer employs Volvo-trained mechanics and uses genuine Volvo parts to ensure that the original safety and quality built into your Volvo is kept up to standard.



and quality are measured

1. Crumple zones front and rear.
 2. You and your passengers are protected by an extremely strong safety cage.
 3. Strong steel bars, welded into the doors, protect you in the event of side-on collisions.
 4. The petrol tank is safely situated away from the rear bumper and isolated from the passenger compartment.
 5. The steering wheel is designed to give maximum protection in the event of a crash.
 6. The laminated safety windscreen is exceptionally strong.
 7. Every model has Volvo's patented 3-point inertia reel safety belts fitted to both front and rear seats.

8. The interior is designed with your safety in mind. No dangerous sharp edges, everything padded and covered.
 9. Volvo head restraints, essential components of the safety package, are designed to protect you from 'whiplash' accidents.
 10. The high standards of body work treatment help to keep your Volvo looking as good as new, year after year.
 11. Slipstream ventilation keeps the door sills dry and protects them from corrosion.
 12. Volvo apply underseal while the cars are still inside the factory.
 13. Plastic inner wheel housings protect the

under body from flying stones and dirt.
 14. Exceptionally strong, wrap-around bumpers-capable of absorbing impacts of up to 2.5 mph-prevent damage occurring in the event of minor bumps and knocks.
 15. Parts of the car which are exposed to harsh treatment are made from hot-dip galvanized metal covered with a layer of zinc.
 16. The most vulnerable parts of the exhaust system are made of corrosion-resistant aluminized metal.



Safety and confidence

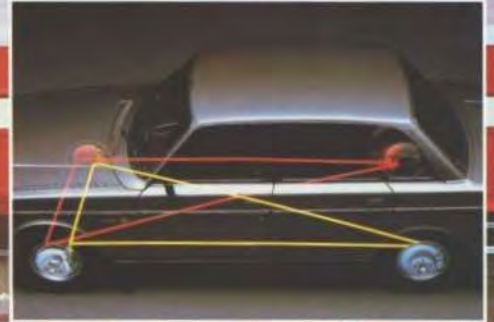
Cars in today's demanding driving environment, require a special type of safety if motorists are to experience natural driving pleasure in all conditions.

The Volvo 240 Saloons are designed in such a way that with normal driving skills you can deal easily with unexpected or difficult situations.

In short, this means that a Volvo behaves as you expect it to, even in extreme circumstances. After all, a

driver's ability must not be the decisive factor where safety is concerned. A car must behave predictably no matter how it is driven. Consequently the driver will always remain in full control. This requirement should apply not only to normal road conditions, but also in the case of a driver having to take sudden evasive action.

Perhaps this sounds obvious. But it's something to which Volvo have devoted large-scale resources and development



you're always in control

time, and this careful attention and commitment to safety is designed into each of their 240 Saloon cars.

It is the basis of safe, relaxed driving which is the foundation of real driving pleasure.

1. *The triangular, dual-circuit brake system retains 80% of braking effect even if one brake circuit ceases to function. The unique stepped bore master cylinder also means that you do not need to increase pressure significantly on the brake pedal in such a situation.*

2. *The secret behind Volvo's Safety is a design expertise produced by precision testing. Developing designs in which every component has been chosen so that it will, in combination with all the other components, produce a car with excellent driving qualities under any driving condition.*

3. *With Volvo's power assisted rack and pinion steering, the driver is able to steer the car safely with comfortable ease and precision.*



The driv

The driver's environment in the Volvo 240 Saloons has been created after extensive studies of people in cars.

Everything has been done to enable the driver to devote the greatest possible attention to the road. A single glance should be enough to give all the information he or she needs to stay in control at all times. One of the more important features should be a good driver's seat. A comfortable driver is a more relaxed driver. This in turn means

a safer driver. Medical and orthopaedic consultants have been involved in the development of the renowned Volvo front seat. The result is a seat with such a wide range of adjustments that virtually every adult can find his or her ideal individual driving position. Adjustable lumbar supports are built into both front seats to allow occupants to adjust the shape of the back of the seats to suit their own body contours. This helps provide support for one of the

least protected but highly vulnerable parts of the body—the small of the back or lumbar region. The driver's seat is also electrically heated to ensure more comfort when starting winter journeys.

Notice too how easily you can reach all the switches and controls. As you can see, the instrumentation is extremely comprehensive, including a wide range of warning signals and reminders, eg., the unique bulb integrity sensor which comes on if a dipped headlight, a rear



e r's car

light, a day running light or a brake light should fail—a safety detail which other road users will also appreciate.

A Volvo is also designed to give you exceptional visibility—you have more than 90% all-round vision. The highly efficient wipers and washers, the electrically heated rear window, the large anti-dazzle rearview mirror, and the internally adjustable door mirrors all help maintain this excellent field of vision.

N.B. The radio and additional instruments are genuine Volvo accessories.

1. With a turning circle diameter of just 32 ft. 2 ins. (better than a Volkswagen Golf by a full 7 inches) and power assisted steering, the spacious Volvo Saloon is easier to manoeuvre in tight spaces than many smaller cars. Very handy for school car parks or busy shopping centres.

2. Volvo 240 Saloons are available with automatic transmission (3-speed or a new 4-speed version, according to model) or a manual gearbox (5-speed or 4-speed plus overdrive depending on the model).

3. The famous Volvo driving seat has a wide range of positions. The adjustable lumbar support helps to keep your back relaxed and comfortable, even after long journeys.



The fam

Total family comfort and safety includes the children. Volvo's international acclaim as one of the safest cars in the world, combined with Volvo's special child safety features and accessories, mean that children travel as safely as adults and in as much comfort.

But comfort is not just a question of sitting in a soft seat-far from it. If you and your family are going to sit in a limited space, (think of it as a living-

room with an area of 3 square yards) for a reasonable length of time then it must be both relaxing and well ventilated.

So sit in the rear seat. There's real comfort but at the same time providing the support needed to travel comfortably for long distances. There's plenty of room for arms and legs and the roof is high enough to accommodate tall people.

It should come as no surprise to find that as a native of Scandinavia, the cars



ily car

are built for cold winters. But Volvos don't just have a large and efficient heating capacity; they are also extremely well equipped for cool air ventilation. No fewer than 14 air inlets distribute the air efficiently throughout the passenger compartment.

1. 14 inlets make for an abundant availability of ventilation.
2. The illuminated glove compartment with a "table" and vanity mirror is just one of a Volvo Saloon car's numerous storage compartments.
3. Your Volvo dealer would be only too happy to tell you more about child safety features and accessories.
4. The rear centre armrest folds down to reveal an access to the boot which allows long objects to be carried inside the car.



The choice

All Volvo 240 Saloons are designed to be safe, comfortable and reliable. As well as these fundamental qualities, the 1984 range of 240 Saloons offers you a choice of specifications to suit your individual requirements.

Volvo 240 DL

The range starts with the 240 DL powered by a 2.1 litre carburettor engine. Its standard specification includes power steering, central locking, headlamp wipers/washers, internally adjustable door mirrors, and front spoiler. The 1984 240 DL has a 5-speed manual gearbox or alternatively a 3-speed automatic version.

Volvo 240 GL

The 240 GL is powered by the same rugged 2.1 litre engine with a 5-speed manual gearbox or 3-speed automatic, but also has tinted glass, metallic paint, electric door mirrors, and an exclusive range of upholstery.



is yours.

Volvo 240 GLE

The next in line is the 240 GLE which has Volvo's 2.3 litre carburettor engine. It also features special alloy wheels, electrically operated front windows, electrically operated door mirrors and luxurious plush upholstery. The '84 240 GLE is available with either a 4-speed manual gearbox with overdrive or a new 4-speed automatic version.

Volvo 240 GLT

The top of the 240 range is the GLT which to those who know little about Volvo may come as something of a surprise. On top of the traditional Volvo virtues it has an outstanding level of performance like 0-60 mph in 10 seconds and a top speed of 112 mph generated from a 131 hp 2.3 litre fuel injection engine. It also has a luxury specification to match, including electrically operated door mirrors and

electric front and rear windows. The GLT is available with a 4-speed manual plus overdrive or the new 4-speed automatic gearbox.



1



2



3

The driv

There's a Volvo 240 Saloon car to meet your individual requirements.

To assist you to choose, here is an outline of Volvo 240 Saloon cars' engine and transmission programme.

A 2.1-litre carburettor engine (B21A) which delivers 102 hp (75 kW) DIN with a new 5-speed manual gearbox, where the fifth gear has the transmission characteristics of an *overdrive*, is the combination for the DL and GL.

Alternatively for these models there is the convenience and comfort of a 3-speed automatic gearbox.

The 240 GLE sports a 2.3 litre carburettor engine (B23A) producing 112 hp (82 kW) DIN. This is combined with a four speed manual gearbox plus overdrive, and new for 1984, Volvo introduce a 4-speed automatic gearbox. A 3-speed performance mode can be simply selected where the benefits of the fourth speed are not required.

In the GLT a 4-cylinder 2.3 litre fuel injection engine (B23E) generates 131 hp (96 kW) DIN and is combined with either a 4-speed manual gearbox plus overdrive or the new 4-speed automatic gearbox.



1

5

6

7

ing force

- 1. The B21A carburettor engine powers the 240 DL and GL models. A rugged and proven Volvo engine which develops 102 h.p.
- 2. The B23A carburettor engine. This recently developed engine built into the 240 GLE develops 112 hp (82 kW) and is a very flexible and responsive unit.
- 3. The B23E fuel injection engine. Volvo's 131 hp (96 h W) high performance engine which takes the GLT from 0-60 in 10 seconds.
- 4. Volvo's new 5-speed manual gearbox where the 5th gear has the transmission characteristic of an overdrive. This is available on the DL and GL.

- 5. The 4-speed manual gearbox plus electrically selected overdrive. Standard on the GLE and GLT.
- 6. Volvo's famous 3-speed automatic gearbox (DL and GL).
- 7. Volvo's new 4-speed automatic gearbox (GLE and GLT).



Create your own

As you can see, the 1984 Volvo 240 Series Saloons offer you a wide range of choice all of which have extremely high standard specifications. However, you may wish to tailor your Volvo to your own individual requirements.

Volvo Accessories enable you to do this. They are specially designed for Volvos to complement the car and thus avoid looking like an afterthought.

The accessories shown on these pages are just some examples from Volvo's unique range.

Your Volvo dealer will be pleased to give you further information.

1. Self adhesive bumper stripes are an attractive addition for your Volvo, and also provide an extra measure of safety for night driving.
2. Attractive side stripes can personalise your Volvo.
3. A range of Volvo roof racks or load carriers are available to suit your requirements.



Volvo Saloon

4. A front pillar mounted aerial is just one of the range of ancillary products available in the Volvo 'In Car Entertainment' programme.

5. An alternative to the regular fixed tow bar is this 'swinging' version which folds away when not in use.

6. 25-spoke light alloy rims give your car an even more attractive look.

7. A carrycot should normally be secured by carrycot restraint straps.

If these are not used, a child bench will fill the gap between a front and rear seat.

8. Attached to the back of the driver's seat, a child guard will prevent a child from being thrown between the front seats in the event of an accident or heavy braking.

These two accessories may be fitted for extra safety, however, we recommend that your child should always be protected by a Volvo approved child safety restraint.

9. Front auxiliary lights, with halogen bulbs, are fitted using anti-vibration struts.

10. One of a range of Volvo radios and radio cassettes which are specifically designed by Volvo to give the very best in sound quality.

11. A variety of additional instruments can be fitted to the fascia of your Volvo.

12. For additional safety and comfort, rear head restraints and covers can be fitted to your 240 Saloon.

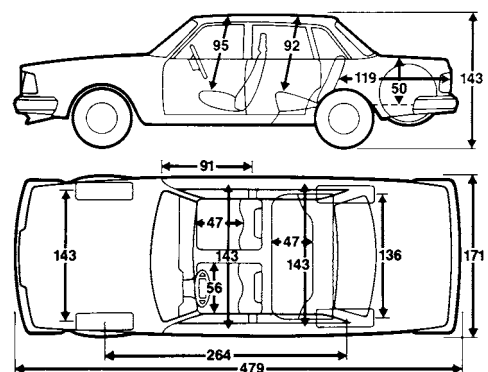
Technical Information	240 DL	240 GL	240 GLE	GLT
Engine				
Designation	B21A	B21A	B23A	B23E
Configuration	In line 4	In line 4	In line 4	In line 4
Displacement (cm ³)	2127	2127	2316	2316
Max. output kW DIN at r/s (hp DIN r/min)	75/88 (102/5250)	75/88 (102/5250)	82/83 (112/5000)	96/90 (131/5400)
Max. torque Nm DIN at r/s (kpm DIN r/min)	170/50 (17.3/3000)	170/50 (17.3/3000)	185/42 (18.9j2500)	190/60 (19.4/3600)
Compression ratio/Octane rating	10.0:1/98	10.0:1/98	10.3:1/98	10.0:1/98
Electrical System				
Alternator rating/Battery capacity	55A/ 12 V 60 Ah	55 A/ 12 V 60 Ah	55 A / 12 V 60 Ah	55 A/ 12 V 60 Ah
Ignition system	Breaker points	Breaker points	Breaker Points	Contactless transistorised
Steering Gear				
Rack and pinion, power ass. Ratio	17.3:1	17.3:1	17.3:1	17.3:1
Turning circle	9.8 m (32 ft 2 ins)	9.8 m (32 ft 2 ins)	9.8 m (32 ft 2 ins)	9.8 m (32 ft 2 ins)
Wheels and Tyres				
Tyres	175 SR	175 SR	185/70T	195 HR
Rims	5 J-14"	5.5 J-14"	5.5 J-14" Alloy	6.0 J-15" Alloy
Brakes				
Front/Rear	Disc/disc	Disc/disc	Disc/disc	Disc/disc
Cooling System				
Frost-proofed and sealed. Volume (1/pts)	9.5/16.6	9.5/16.6	9.5/16.6	9.5/16.6
Fuel Tank				
Volume (1/gals)	60/13.2	60/13.2	60/13.2	60/13.2
Transmission				
Manual gearbox	5-speed	5-speed	4 speed with overdrive	4 speed with overdrive
Automatic	3 stage torque convertor	3 stage torque convertor	4 stage torque convertor	4 stage torque convertor
Suspension				
Front	Spring strut	Spring strut	Spring strut	Spring strut
Rear	Live	Live	Live	Live
Weights/Capacity				
Max. Gross weight (kg/lbs)	1780/3921	1780/3921	1780/3921	1780/3921
Permissible Trailer Weight (kg/lbs)	1500/3307	1500/3307	1500/3307	1500/3307
Boot capacity (cu.ft.)	21.7	21.7	21.7	21.7

N.B. 'A' engines are fitted with a carburettor, 'E' engines are fuel injected.

Warranty

12 month warranty without mileage limitations.

The factory reserves the right to make changes at any time, without notice, to prices, colours, material, equipment or specifications and also to discontinue models.



Standard equipment	240 DL	240 GL	240 GLE	GLT
Power steering	●	●	●	●
Central locking	●	●	●	●
5 speed manual	●	●		
4 speed manual + overdrive			●	●
4 speed automatic			●	●
3 speed automatic	●	●		
Halogen headlights	●	●	●	●
Rear foglights	●	●	●	●
Reversing lights	●	●	●	●
Engine bay, boot and glovebox lights	●	●	●	●
Courtesy light operating on rear doors	●	●	●	●
Day running lights	●	●	●	●
Hazard warning lights	●	●	●	●
Headlight wipers/washers	●	●	●	●
2 speed + intermittent wipers/electric washers	●	●	●	●
Side direction indicators	●	●	●	●
Laminated windscreen	●	●	●	●
Heated rear window	●	●	●	●
Heated driving seat	●	●	●	●
Reclining front seats with lumbar support	●	●	●	●
Driving seat height adjustment by lever	●	●	●	●
Rear seat centre armrest	●	●	●	●
Trico upholstery		●		
Leather upholstery				●
Plush upholstery			●	●
Mixed cloth upholstery	●			
Fitted carpets	●	●	●	●
Front seat head restraints	●	●	●	●
3-point inertia reel safety belts, front and rear	●	●	●	●
Safety belt reminders	●	●	●	●
Smaller steering wheel			●	●
Internally adjustable door mirrors	●			
Electrically controlled door mirrors		●	●	●
Radial ply steel belted tyres	●	●	●	●
Dual circuit servo assisted brakes	●	●	●	●
Child safety locks on rear doors	●	●	●	●
Quartz clock	●	●	●	●
Tachometer	●	●	●	●
Brake failure warning	●	●	●	●
Bulb failure warning	●	●	●	●
Ignition/lights buzzer warning	●	●	●	●
Cigar lighter	●	●	●	●
Lockable fuel cap	●	●	●	●
Door pockets	●	●	●	●
Map pockets behind front seats			●	●
Metallic paint		●	●	●
Tinted windows		●	●	●
Front spoiler	●	●	●	●
Sunroof		☆	●	●
Electric windows			front	●
Fuel injection				●
Alloy wheels			●	●
Chrome wheel rings		●		
Mudflaps	●	●	●	●

● Standard ☆ Option (special order)

VOLVO

