

The Corrado Storm





## Performance with Comfort

To develop a car with the driver appeal of the Volkswagen Corrado requires the perfect combination of power, precise handling and interior comfort. The 190 bhp, VR6 engine delivers a smooth supply of power, propelling the Corrado from 0-60 in just 6.9 seconds and on to a top speed of 146 mph where law permits.

Such impressive performance requires equally adept handling. The Corrado's superb roadholding excels due to the combination of a McPherson strut front axle with lower wishbones and the torsion beam rear axle which incorporates track-correcting bearings for added stability.

The limited edition, Corrado Storm now adds a further dimension with an impressive list of luxury features as standard equipment; light alloy wheels, leather upholstery, heated front seats, Sony CD player, pearl paint, colour coded front grill and subtle 'Storm' branding.

A closer inspection reveals some of the Corrado's hidden qualities. The standard pearl paintwork, available in Mystic Blue or Classic Green, is finished to perfection. Before the paint is applied, the bodywork is protected by being immersed into a zinc phosphate bath followed by an application of primer. The final paint surface in this meticulous process is



coated with a clear lacquer for a durable lustre and lasting protection. And to maintain Volkswagen's commitment to the environment, only water based liquids are used throughout the painting process. Further confirmation of the Corrado's pedigree is evident in the precise fit of the body panels with narrow yet uniform gaps and the interior fitments engineered down to the smallest detail.

Safety is Volkswagen's forté, and the Corrado is blessed with many passive and active safety features. Active features include track adjusting rear suspension for sure-footed handling, power steering to enhance a driver's 'feel' at varying speeds and a

servo-assisted, ABS anti-lock braking system for added directional control even under severe braking conditions. In conjunction with the ABS, the TCS (Traction Control System) operates automatically, improving traction when accelerating up to 25 mph. Whilst the active features may help avoid a collision, the passive features are designed to protect in the unfortunate event of an accident. These features include a reinforced body shell with side impact door protection, energy absorbing steering wheel and deformable steering column to protect the passenger area in the event of frontal impact.



### **Beauty, more than skin deep.**

The high specification of the Corrado Storm has been developed for both visual appeal and functional efficiency. The colour coded bumper, grill and door mirrors extend the pearl paintwork to harmonise with the bodywork.

To safely apply the power from the 2.9 litre, VR6 engine, the Corrado Storm benefits from wide, 15" light alloy wheels shod with low profile tyres, which not only provides enhanced grip and incredible roadholding but a stylish and sporty finish from their 'Solitude' design.



### **The sleek lines of aerodynamics**

As a result of wind tunnel testing the flowing lines of the Corrado provide more than stunning looks. Its aerodynamic curves reduce drag for greater performance and improved fuel efficiency. The automatic rear spoiler raises at a speed of 45 mph to increase downforce and aid high speed stability, retracting itself when speed is lowered. And when the summer months allow, the experience of unleashing a Corrado on the open road is even more pleasurable with the convenience of the Storm's electrically operated sunroof and windows.



### **Comfort through design.**

When you get behind the wheel of the Corrado, you'll immediately notice the attention to detail of the ergonomically designed cockpit. The sumptuous leather interior, in either black or light beige to complement your choice of paintwork, provides the cabin with an air of elegance. The firm, front sports seats provide essential lateral support and are also heated to ensure you arrive at your destination hot but not bothered. The adjustable steering column and height adjustable seats also add to your comfort providing extensive driving positions whatever your build.



## Created to be functional.

The fully carpeted rear luggage compartment is surprisingly accommodating. Its 8.3 cubic ft capacity extends to 28.6 cubic ft due to the flexibility of split rear seats. After taking the wheel of the Corrado, you'll soon appreciate the thought process behind its design layout. From the adjustable seating position, the leather trimmed thick sports steering wheel allows a firm grip for added control.

All instruments are clearly visible and within easy reach. For example, controlled via the wiper stalk, the multi-function computer supplies important data, constantly informing of journey time, distance covered, average speed, average fuel consumption, oil and outside temperatures plus the time.

To help protect your Corrado Storm, each car has a unique code transponder fitted within the ignition key. The engine management system interrogates the transponder and if the wrong code is received (ie the wrong key is used) the engine will not start.

When it comes to enjoying your favourite CDs, a virtuoso performance is guaranteed from the Sony CDX-600DSP Hi-Fi system, with a removable front panel for added security. Its digital sound processing technology provides realistic acoustic settings whatever your choice in music. The 7 surround sound modes and 5 listening position presets are fully adjustable, delivering the full impact of an orchestral fortissimo or the punch of a bass guitar.



Corrado Storm		
Standard Equipment		
Safety and Security:		Storm VR6
ABS Anti-lock brakes		S
Body:	Door side impact protection	S
	Rigid safety cell with front & rear crumple zone	S
Central locking:	With security protection and torch key	S
	electric windows/sunroof closing facility	S
Engine Immobiliser		S
First aid kit and warning triangle		S
Head restraints:	Front adjustable	S
	Rear non-adjustable	S
Laminated windscreen		S
Seat belts:	Front height adjustable seat belts	S
	Rear outer lap and diagonal seat belts	S
Steering wheel:	Safety padded sport steering wheel, leather trimmed	S
TCS Traction control system		S
Functional Equipment:		
Door mirror:	Electrically heated and adjustable, painted in body colour	S
Front fog lamps		S
Headlamps:	Halogen with dim-dip and integral driving lights	S
Heated rear window		S
In-car entertainment:	'Sony' CDX-600DSP Front loading CD player with RDS/EON and detachable front panel and DSP (Digital signal Processing) 4 x 30watt output with FM/MW/LW manual/seek tuning Six speakers and detachable roof aerial	S
Power assisted steering		S
Steering column:	Height adjustable	S
Sunroof:	Steel electric slide and tilt with logic control	S
Windows:	Electric front with drivers side one touch operation	S
Wipers:	Two speed with wash/wipe and heated washer jets	S
	Intermittent wipe with variable delay	S
	Rear wash/wipe with intermittent wipe setting	S
Exterior Equipment and Styling:		
Bumpers painted in body colour		S
Front grill painted in body colour		S
Badging in silver		S
'Storm' badging in red		S
Green tinted heated insulating glass		S
Protective door entry strip		S
Spoiler:	Rear, electronically raised depending on speed, painted in body colour	S
	Front, black plastic	S
Side rubbing strips		S
Wheels:	Alloy 61/2J x 15 'Solitude'	S
	Temporary mini spare wheel	S
Interior Equipment and Styling:		
Anti-dazzle rear view mirror		S
Computer:	Multi-function, with two memories. Information given on: time, driving time, average fuel consumption, distance driven, average speed, engine oil temperature and ambient temperature	S
Heating:	Air blending heating and ventilation system with four speed fan	S
Instruments:	Speedo, electronic trip and mileometer, rev counter, digital clock, fuel and temperature gauge.	S
Interior courtesy light with time delay		S
Leather gearlever knob and gaiter (not automatic)		S
Luggage compartment cover and light		S
Load sill protection		S
Storage:	Drivers and passenger underdash trays	S
	Lockable and illuminated glove box	S
	Door pockets	S
Seating:	Front, heated sport seats with height adjustment and recline facility	S
	Rear, back rest assymmetrically split with individual fold down facility	S
	Rear seat center arm rest	S
Upholstery:	Black leather with Mystic Blue exterior colour	S
	Light Biege leather with Classic Green exterior colour	S
Vanity mirrors, illuminated on passengers side		S

S = Standard

**Exterior Colour:**



Mystic Blue Pearl Effect

E6

**Exterior Colour:**



Classic Green Pearl Effect

U8

**Interior Colour:**



Black

VA

**Interior Colour:**



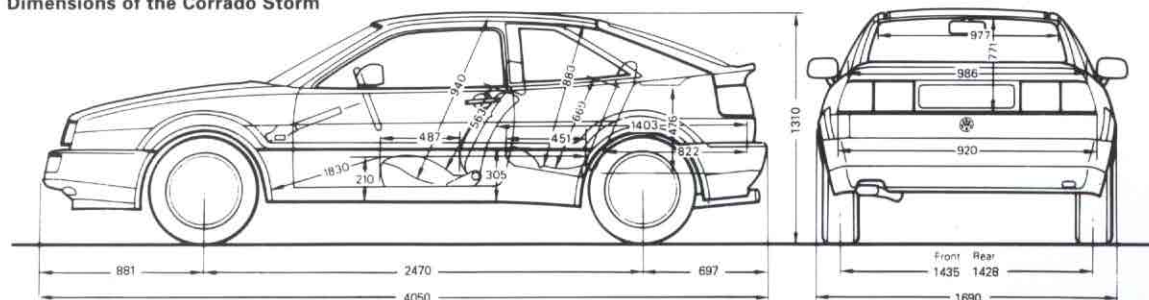
Light Beige

YU



Technical Specification	Storm VR6	
<b>Model</b>	<b>Storm VR6</b>	
<b>Engine</b>	Front 15 degree V6 transversely mounted Single light alloy cylinder head. Single camshaft per bank. 2 valves per cylinder. Hydraulic maintenance free tappets. Electronic fuel injection with self-diagnosis and emergency running mode.	
Cubic capacity, ltrs/cc	2.9/2861	
Bore/stroke, mm	82.0/90.3	
Max,output, bhp/kw	190/140	
at rpm	5800	
Max,torque, lbs.ft/Nm	180/245	
at rpm	4200	
Compression ratio	10.1:1	
Induction	Motronic	
Ignition	Electronic	
Exhaust emission control	Regulated Catalyst with fuel vapour retention system.	
Fuel grade,minimum. Unleaded only	98 octane(RON)	
Battery V/A(Ah)	12/280(60)	
Alternator, amps	70	
<b>Transmission:</b>	Front wheel drive	
Gearbox	5 spd man.	4 spd automatic
MPH per 1000rpm in top gear.	23.3	23.1
<b>Performance:</b>		
Top speed, mph(km/h)	146(235)	144(232)
Acceleration, secs 0-62mph	6.9	7.7
<b>Fuel consumption:</b>		
Official govt.figs, mpg/ltr per 100km		
urban cycle	22.6/12.5	20.5/13.8
at 56mph(90km/h)	39.2/7.2	36.7/7.7
at 75mph(120km/h)	32.1/8.8	30.4/9.3
Fuel tank capacity,galls/ltrs:	15.4/70	
<b>Running gear:</b>		
Front axle:	McPherson struts with lower wishbones and anti-roll bar.Track stabilising steering geometry. Plus axle and Traction Control System.	
Rear axle:	Torsion beam trailing arm with track-correcting bearings and anti-roll bar. Plus axle	
Steering:	Power assisted maintenance-free rack and pinion. Safety steering column.	
Brakes system:	Diagonally split circuits. Disc brakes,ventilated at the front.Brake servo and load sensitive brake pressure regulator. ABS Anti-lock brakes.	
Ground clearance ins/mm	5.5/129	
Turning circle ft/m	34.5/10.5	
<b>Wheels and tyres:</b>		
Wheel size, type	61/2Jx15 'Solitude' alloy	
Spare Wheel	Temporary mini spare	
Tyre size	205/50R15V	
<b>Weights: lbs/kgs</b>		
	manual	automatic
Unladen weight	2668/1210	2668/1210
Gross vehicle weight	2483/1580	2483/1580
Payload	815/370	815/370
Axle load limit,front	2050/930	2050/930
rear	1566/710	1566/710
<b>Trailer load limits: lbs/kgs</b>		
- braked 12% incline	2646/1200	2646/1200
- unbraked	1323/600	1323/600
Max. roof load	165/75	
<b>Max. luggage capacity: cu.ft(litres)</b>		
	VDA measuring method using 200x100x50mm blocks.	
- without rear seat folded	8.3(235)	
- with rear seat folded	28.6(810)	

Dimensions of the Corrado Storm



All figures in millimetres.

# The Volkswagen service, for your peace of mind

## 1 year mechanical warranty:

There is a one year warranty, with no mileage limit on all Corrados. It is valid throughout the world. With this warranty we believe we give you more than just proof of quality, we provide you with assurance that you made the right choice.

## 6 year body protection warranty:

Volkswagen was the first volume manufacturer to offer a 6 year warranty to cover against internal corrosion. Special rust-proofing treatment of internal body sections and panels, applied at the time of manufacture, guards against through rusting from the inside. Should this occur during the warranty period, rectification will be made free of charge, and is not subject to compulsory inspections as with other anti-corrosion guarantees.

This is further proof of our belief to the quality and longevity of Volkswagen cars.

## 3 year paintwork warranty:

This latest warranty, pioneered by Volkswagen, really provides you with the widest possible cover on a new car.

There are no special conditions attached and paintwork defects will be rectified without charge. Naturally, during the warranty period the car should be cared for in compliance with the operating instructions.

## Servicing:

Modifications to the Corrado range have enabled us to lengthen the intervals between major servicing and reduce maintenance costs. A more flexible servicing schedule has been introduced which can be tailored to suit your individual annual mileage.

For customers with under 10,000 miles a year: An Inspection service (which includes an oil change) is required every 12 months, and a Major Service is needed only at intervals of 20,000 miles.

## Radio Fitment Programme:

A Sony Front loading CD is offered as standard on the Corrado Storm. You may 'trade up' to even higher specification units upon request. Your Volkswagen dealer has full details of the 'trade up' scheme.

## Volkswagen Rental\*:

Your local Volkswagen dealer is in an ideal position to offer self-drive hire, quality cars, competitive rates and high standards of service. (\*Participating dealers only. For details phone 01582 477770.)

## Tax Free Sales:

Diplomats, members of the armed forces and people moving abroad may qualify to purchase a new car free of VAT. For full information, contact Volkswagen Tax Free Sales, Yeomans Drive, Blakelands, Milton Keynes on 0908 601111.

## Volkswagen Solutions:

**Solutions is a new approach for both the private user and company car driver, who now wish to operate a vehicle themselves, within a highly flexible motoring package.**

**Finance, Service, Maintenance, tyres, Road Tax and even motor insurance can be provided to deliver a fully budgeted programme, spreading the cost and gaining greater peace of mind.**

## Extended warranty option:

A comprehensive extended warranty protects against mechanical or electrical failure for one or two years beyond the manufacturer's warranty period. Separate brochures give you full details.

## Volkswagen Finance:

Contract Hire, Volkswagen Solutions, and Mobility are just a few of the products and services available to meet both the needs of the business user and the private motorist. Business related products expand from Contract Hire to encompass Fleet Management, Sale and Leaseback, Public Sector and N.H.S. programmes, to name but a few.

A range of facilities are available for Volkswagen vehicles, and may assist you to acquire the model of your choice. From the innovative Solutions, to the traditional Hire Purchase, a package to suit your requirements is available. Guaranteed Payments plans are available to look after your finance payments in the event of sickness, accident or redundancy. For full details and written quotations please contact your dealer.

## Volkswagen Insurance:

Motor insurance specially tailored for Volkswagen owners is available. For a quotation without obligation ring Volkswagen insurance on **Linkline** 0345 616161.

## Free vehicle roadside assistance:

Every new car is registered in the Volkswagen **'ON CALL'** emergency service for one year. This provides vehicle recovery assistance in the unlikely event of a breakdown. To extend cover beyond the first year all that is necessary is to have the vehicle serviced at an authorised dealer in keeping with the service schedule and have the necessary repairs found at the time corrected by the dealer. Each annual or 20,000 mile service will then attract re-registration within the scheme, valid until the next service is due. This facility is made available for the first six years of the vehicle's life. For full details please contact your dealer.

## Notes:

1. Specification details given in this publication were correct at the time of printing. However, product changes may occur after this time these will be notified to the Volkswagen dealer. Please check full specification details with the dealer prior to ordering.



**The Corrado Storm**